

AUXILIARY PRODUCTS

Code:

0501091274

Product:

GAT 800



Series:

S-0696

Revision:

00

Date Revision:

ABRIL/2016



PRODUCTS

Code	Description
0407010004	GAT 800 CATEGORIA 1
0407010002	GAT 800 S-0881
0407010007	GAT 800 MF S-0696

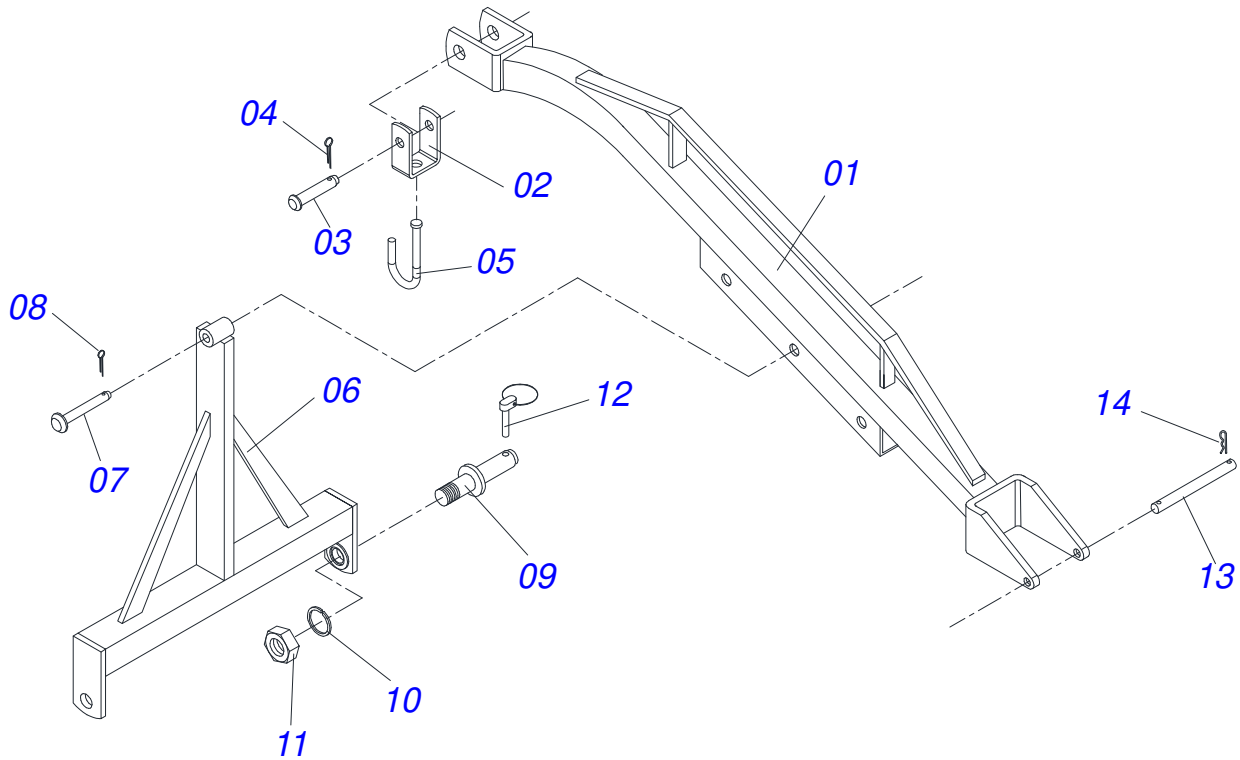
ATTENTION: IMPORTANT

Marchesan S.A. reserves the right to improve and / or modify the technical features of its products, without obligation to do the same with those products already sold and without prior knowledge of the dealer or the consumer.

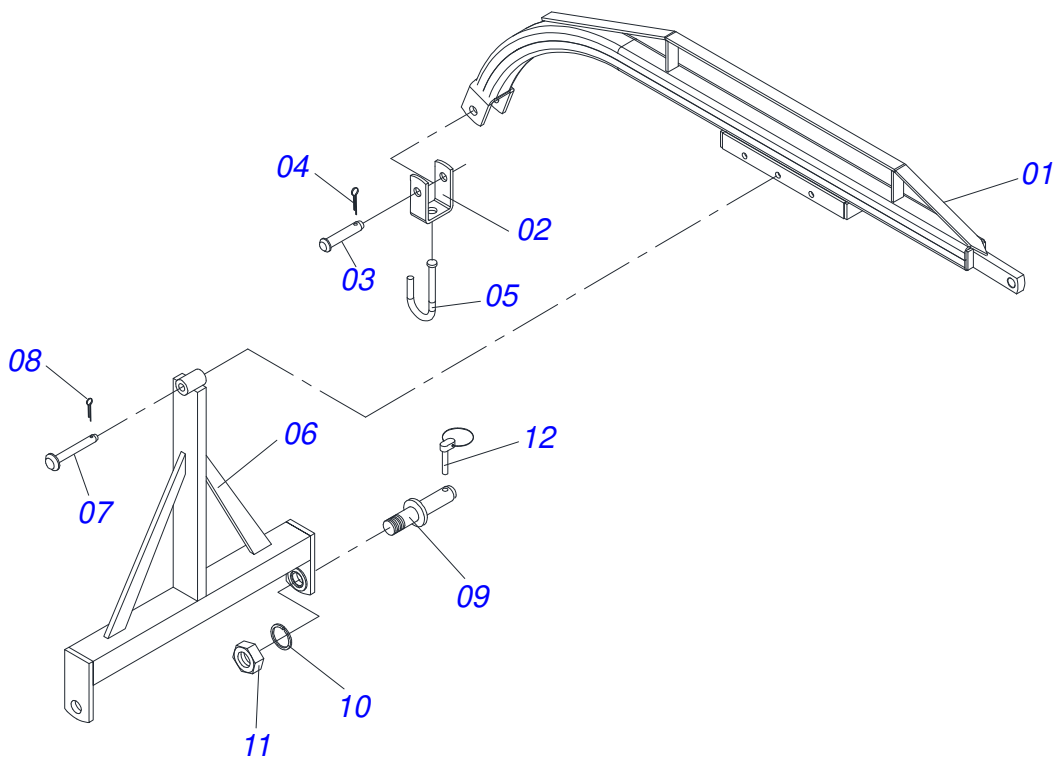


INDEX

0909090371	HOIST MOUNTED TYPE 800	1
0909090922	GAT 800	2



Item	Code	Description	See page
01	0501068121	FRAME MF GAT 800	01
02	0511016686	U HOOK	01
03	0521010579	COUPLING SHAFT	01
04	0503010571	1/4" X 1.1/2 COTTERPIN	01
05	0501067537	25,4 X 100 HOOK	01
06	0501062596	DRAWBAR	01
07	0501011388	COUPLING SHAFT	01
08	0503010018	5/32 X 1-1/2 COTTERPIN	01
09	0521010635	2" X 5.7" COUPLING SHAFT	02
10	0503010012	1" SPRING WASHER	02
11	0503010340	1" NUT	02
12	0503030430	7/16 X 2" PIN LOCK	02
13	0521010524	0.9" X 3.9" COUPLING SHAFT	01
14	0503030012	HAIR PIN	02



Item	Code	Description	See page	QT
01	0501062595	FRAME GAT 800		01
02	0511016686	U HOOK		01
03	0521010579	COUPLING SHAFT		01
04	0503010571	1/4" X 1.1/2 COTTERPIN		01
05	0501067537	25,4 X 100 HOOK		01
06	0501062596	DRAWBAR		01
07	0501011388	COUPLING SHAFT		01
08	0503010018	5/32 X 1-1/2 COTTERPIN		01
09	0521010635	2" X 5.7" COUPLING SHAFT		02
10	0503010012	1" SPRING WASHER		02
11	0503010340	1" NUT		02
12	0503030430	7/16 X 2" PIN LOCK		02



www.marchesan.com.br



Technical Publications | Elaboration and Revision
JOÃO VIRGINIO ROCHA