

**DOUBLE OFFSET DISK HARROW**

**DODH-R 7009T**

**Code:** 0501091271  
**Series:** S-1104  
**Revision:** 00  
**Date Revision:** FEVEREIRO/2022

# PARTS CATALOGUE



**MARCHESAN**



# PRODUCTS

Code	Description
0102430546	DODH-R 7009T 48X24X6,0 DM DR S-1104

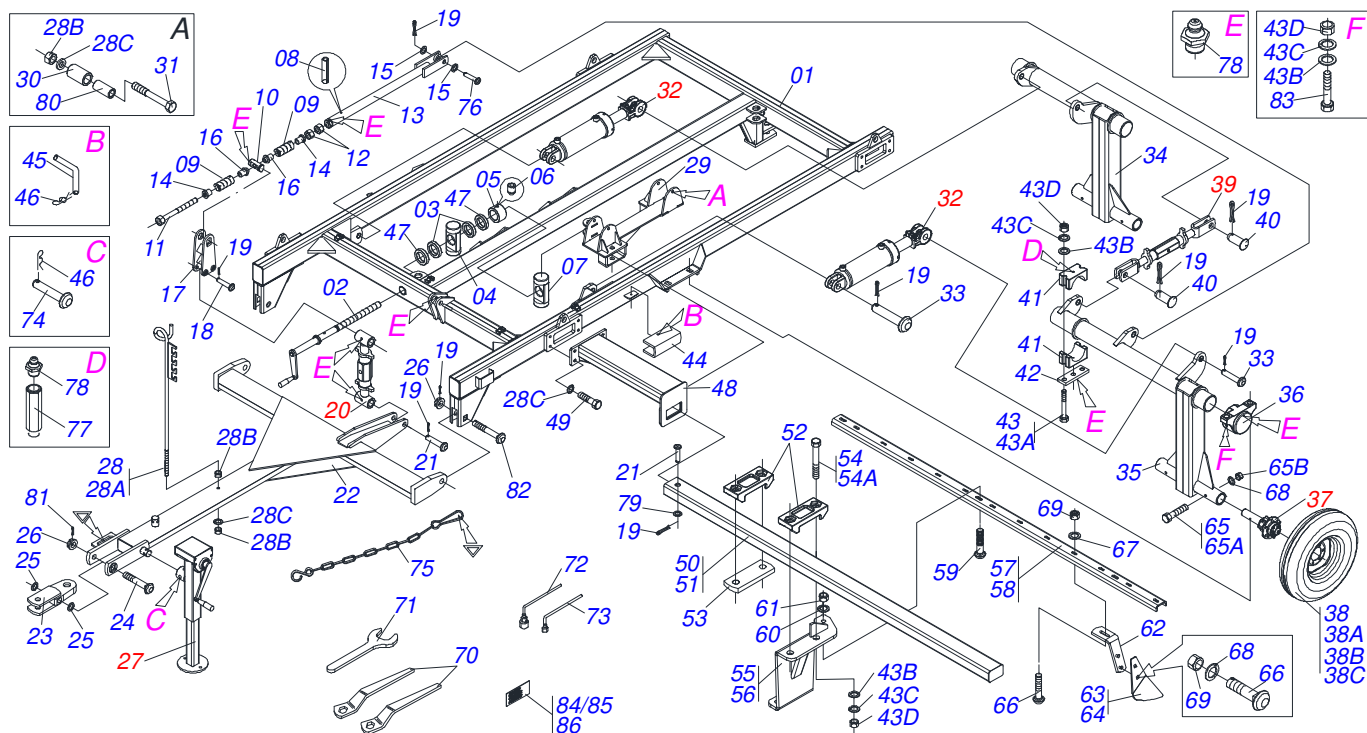
## ATTENTION: IMPORTANT

Marchesan S.A. reserves the right to improve and/or modify the technical features of its products, without obligation to do the same with those products already sold and without prior knowledge of the dealer or the customer. The photos are only illustrative.



# INDEX

0909092961	ASSY FRAME	.....	1
0501042559	ASSEMBLY STABILIZER EXTENDER	.....	2
0501049064	50,8 X 101,6 X 515 X 203 HYDRAULIC CYLINDER	.....	3
0501045162	ASSEMBLY CARRYING WHEELS ESTABILIZER	.....	4
0501055907	STUB SHAFT & HUB ASSY	.....	5
0909092758	RIGHT FRONT DISCS GANG	.....	6
0909092957	RIGHT REAR DISCS GANG	.....	7
0909092958	LEFT FRONT DISCS GANG	.....	8
0909092959	LEFT REAR DISCS GANG	.....	9
0909092962	HYDRAULIC CIRCUIT	.....	10
0511043392	225 X 1.1/2 RM OIL BATH BEARING	.....	11
0511043377	AGRICULTURAL BEARING	.....	12
0511043153	DRAWBAR JACK	.....	13



Item	Code	Description	See page	QT
01	0511066231	FRAME 28/48		01
02	0511042324	REGULATOR SPINDLE ASSY		02
03	0541011456	NYLON WASHER		04
04	0541011453	GUIDE		02
05	0541019090	32,50 X 50 X 32 SLEEVE		02
06	0503011148	3/8" X 1/2" BOLT		02
07	0521011158	SPRING LOCKNUT		02
08	0503010292	701164 6 X 40 SPRING PIN		01
09	0503030541	3.4" X 8.0" X 0.8" SPRING		02
10	0551012054	GUIDE		01
11	0501069398	CRANK		01
12	0521011696	1.1/2" LEFT 38 NUT		02
13	0511066236	ADJUSTMENT BAR		01
14	0551012051	SLEEVE 39 X 47,20 X 80 X 55		02
15	0501017779	32 X 60 X 4.75 FLAT WASHER		02
16	0551012050	SLEEVE 39 X 47,20 X 80 X 95		02
17	0501064760	ROCKER ARM		01
18	0521010547	1.2" X 6.5" COUPLING SHAFT		02
19	0503010523	1/4" X 2" SPLIT PIN		16
20	0501042559	ASSEMBLY STABILIZER EXTENDER	2	01
21	0521010546	1.2" X 5.7" COUPLING SHAFT		05
22	0511066232	DRAWBAR		01
23	0511066235	TRACTOR HITCH		01
24	0531019124	1.5" X 9.6" COUPLING SHAFT		01
25	0521011100	FLAT WASHER		02
26	0501011301	1.1/2 UNC 6FPP 2.5/16 NUT		03
27	0511043153	DRAWBAR JACK	13	01
28	0501040257	ASSY 3/4 X 38 HOSE SUPPORT		01
28A	0511067334	HOSE SUPPORT		01
28B	0503010014	3/4" HEX NUT		06
28C	0503010023	3/4" SPRING WASHER		21



## ASSY FRAME

0909092961

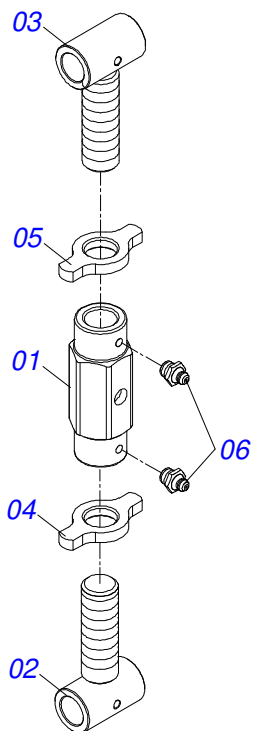
Item	Code	Description	See page	QT
29	0511066234	FRAME SUPPORT ADJUSTING		02
30	0541015262	SLEEVE 26,99 X 40 X 130		04
31	0501013475	3/4 UNC X 7.1/2 C S G.5 ZN BOLT		04
32	0501049064	50,8 X 101,6 X 515 X 203 HYDRAULIC CYLINDER	3	02
33	0521012538	1.2" X 3.5" COUPLING SHAFT		04
34	0511066222	SUPPORT FIXER RIGHT SUPPORT		01
35	0511066223	LEFT CARRYING-WHEEL FIXER SUPPORT		01
36	0502010972	ARTICULACION BEARING		02
37	0501055907	STUB SHAFT & HUB ASSY	5	04
38	0503060091	L29.5"X0.63"-10L WHEEL AND		04
38A	0503010893	WHEEL		04
38B	0503010033	7.50 X 16 INNER TIRE		04
38C	0503010120	CANVAS TIRE		04
39	0501045162	ASSEMBLY CARRYING WHEELS ESTABILIZER	4	01
40	0521010778	1.25" X 3.15" COUPLING SHAFT		02
41	0502010673	BEARING SEMI		04
42	0501015593	SUPPORT PLATE		02
43	0501042309	1" X 9" AR ASSY BOLT		04
43A	0501010064	1" X 9" BOLT		04
43B	0501010065	1" SPRING WASHER		72
43C	0503010012	1" SPRING WASHER		40
43D	0501010059	1.5/8 NUT		40
44	0551010332	TRANSPORT LOCK		02
45	0541016844	FIXER LOCK		02
46	0503030168	HITCH PIN CLIP		03
47	0501019523	FLAT WASHER		04
48	0511066233	TURNBUCKLE FRAME		04
49	0501011544	3/4" X 1-1/2" BOLT		16
50	0511066247	120 X 80 X 6,40 X 3150 TUBE		02
51	0511066248	120 X 80 X 6,40 X 2750 TUBE		02
52	0502012323	BRACKET FIXER		16
53	0541011294	FIXER BRACKET PLATE		04
54	0511042229	1" X 6" BOLT		32
54A	0503013113	1" X 6" BOLT		32
55	0511065266	LEFT FRONT BRACKET REAR RIGHT		06
56	0511065942	RIGHT FRONT BRACKET REAR LEFT		06
57	0551010163	2850 BAR OF THE FIXER SCRAPER		02
58	0551010164	2740 BAR FIXER SCRAPER		02
59	0503013842	5/8" UNC X 1-3/4" BOLT		12
60	0503010027	5/8 SPRING WASHER		12
61	0503010013	5/8 NUT		12
62	0541015258	SCRAPER BODY		50
63	0541015256	SHOVEL SCRAPER		25
64	0541015257	SHOVEL SCRAPER		25
65	0511045997	1/2" X 4" BOLT ASSY		04
65A	0503010547	1/2" X 4" BOLT		04
65B	0503010060	1/2 UNC G.5 ZN HEX NUT		04
66	0501010243	1/2" X 1-1/2" BOLT		150
67	0511017302	FLAT WASHER 13,50 X 32,50 X 3,0 ZN		50
68	0503010019	1/2" SPRING WASHER		104
69	0503010020	1/2"NUT		150
70	0501011432	1-1/2" AND 1-5/8 GANG BOLT WRENCH		02
71	0511010153	2-5/16" FIXED WRENCH		01
72	0501061045	1" WRENCH CYLINDRICAL		01
73	0501068273	5/8" WRENCH		01
74	0541011345	16 X 68 PLUGER		01
75	0503013150	1300 X 3/8 CHAIN		01
76	0521010544	1.2" X 4.9" COUPLING SHAFT		01
77	0501019757	EXTENSION GREASE FITTING		02



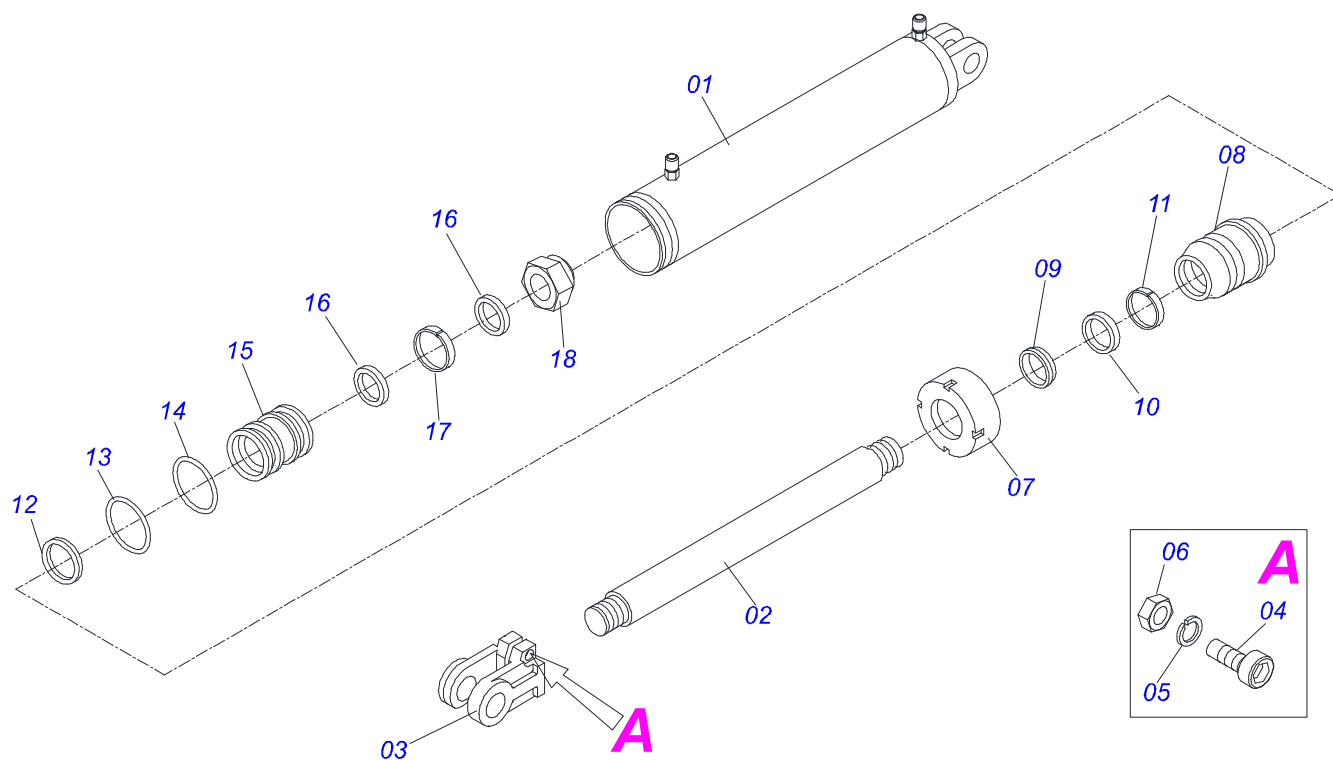
**DODH-R 7009T**  
**ASSY FRAME**

Page 1  
0909092961

<b>Item</b>	<b>Code</b>	<b>Description</b>	<b>See page</b>	<b>QT</b>
78	0503010002	1800 GREASE FITTING		14
79	0501010086	FLAT WASHER		04
80	0541015263	SLEEVE 26,64 X 26,50 X 134		04
81	0503010010	1/4" X 2.1/2" COTTERPIN		01
82	0521017538	11-1/2" X 5" COUPLING SHAFT		02
83	0503011432	BOLT		04
84	0503031738	ADHESIVE LABEL		01
85	0503031739	ADHESIVE LABEL		01
86	0503031896	DANGER DECAL		01

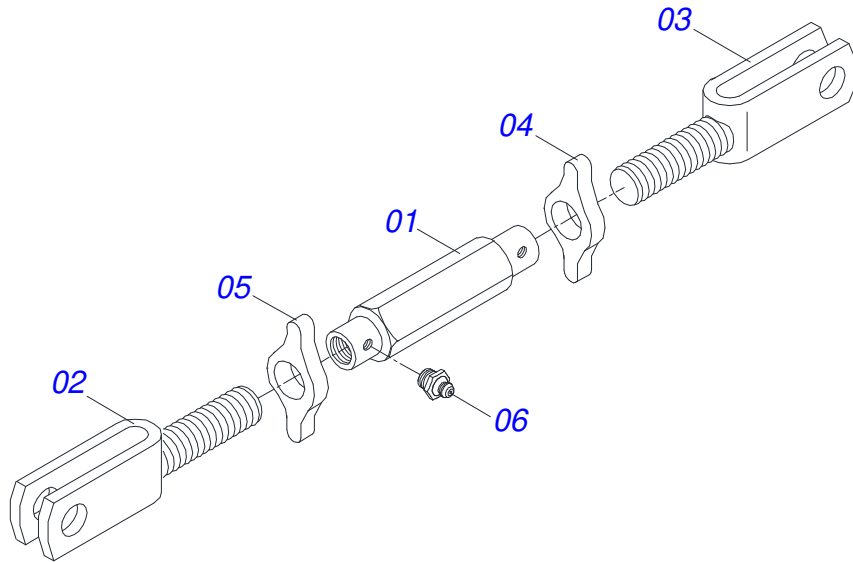


Item	Code	Description	See page	QT
01	0502011197	170 ADJUSTMENT NUT BODY		01
02	0501064002	LEFT JACK CRANK		01
03	0501064001	RIGHT JACK CRANK		01
04	0541018672	COUNTERNUT		01
05	0541018673	COUNTERNUT		01
06	0503010002	1800 GREASE FITTING		02

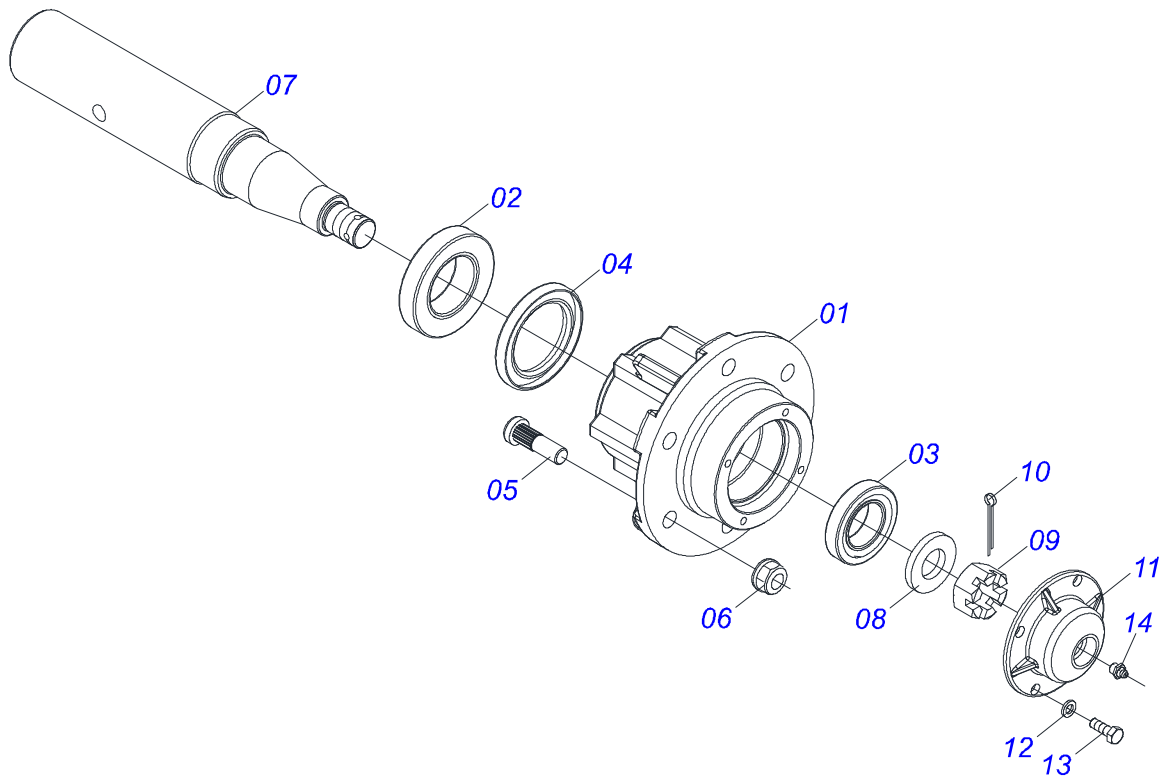


Item	Code	Description	See page	QT
01	0511061336	101,6 X 398 CYLINDER CASE		01
02	0521010422	HYDRAULIC CYLINDER TURNBUCKLE		01
03	0502040747	32.54 CLEVIS CLAMP		01
04	0503011094	3/8" X 2" BOLT		01
05	0503010025	3/8 SPRING WASHER		01
06	0503010026	3/8" NUT		01
07	0502010017	4" LID		01
08	0502010778	2" X 4.2" RING SUPPORT		01
09	0503010039	D-2000 SCRAPER RING		01
10	0503010991	1870-2000-375-B GASKET		01
11	0503010952	W2-2250-500 RING		01
12	0503011061	8-342 BACK-UP RING		01
13	0503010338	2-342 N 3006-9B O'RING		01
14	0503010345	2-218 N 3006-9B O'RING		01
15	0502010992	2.0" X 4.0" PISTON		01
16	0503010043	PACKING 3750-3250		02
17	0503010994	W2-4000-500 PK RING G.E		01
18	0503010817	1.1/4" SELF LOCKING NUT		01
19	0501031799	HYDRAULIC CYLINDER REPAIR KIT		01

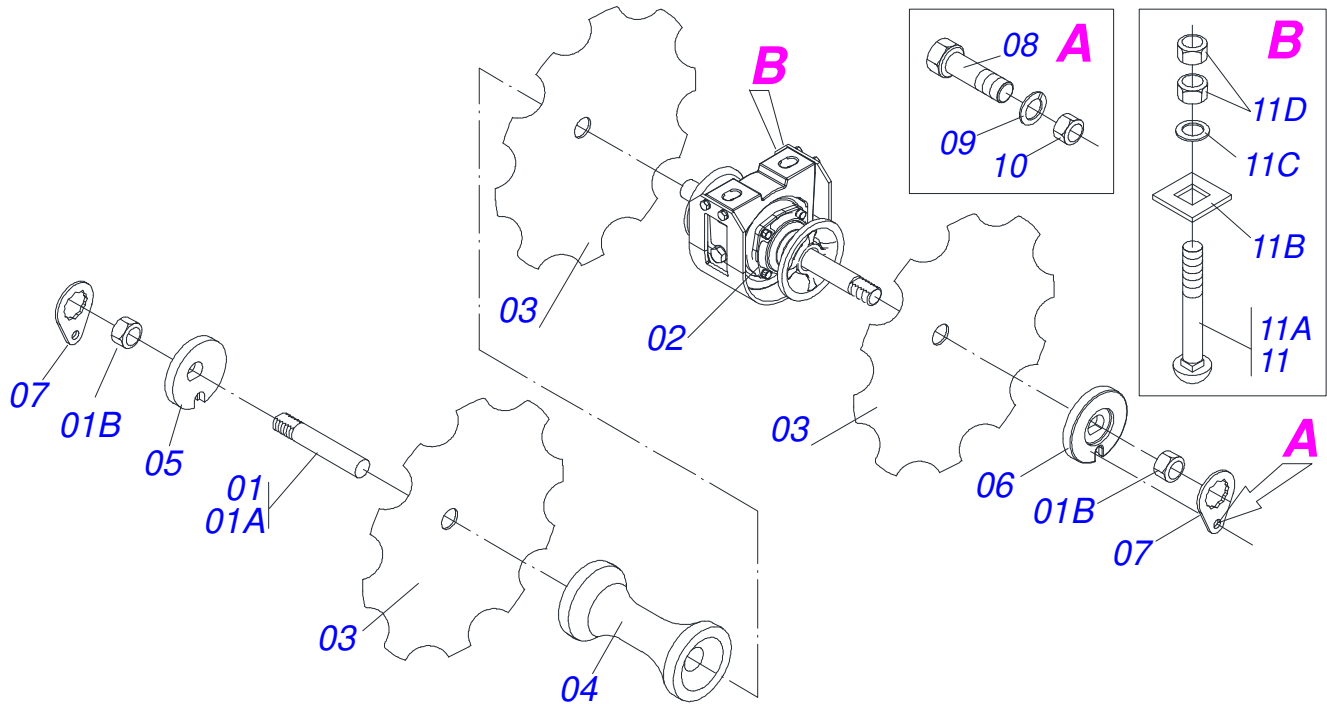




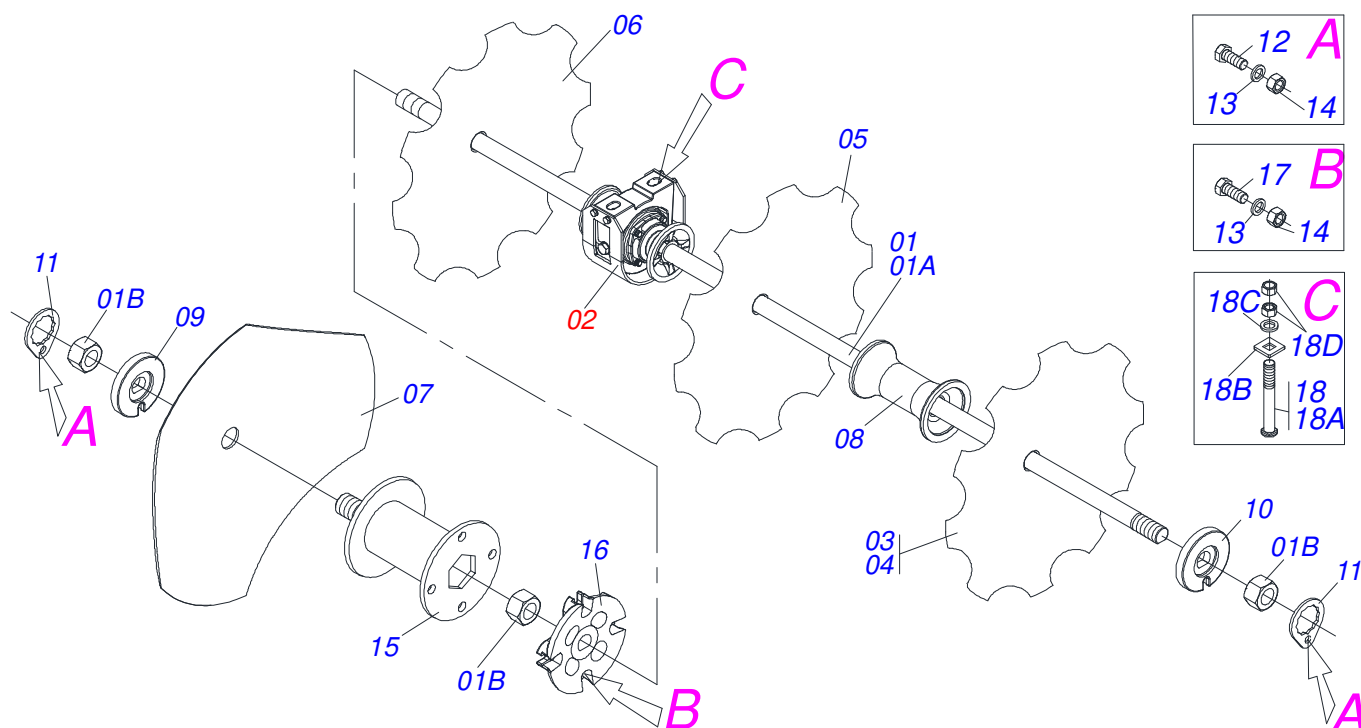
Item	Code	Description	See page	QT
01	0502011195	ADJUSTMENT NUT BODY		01
02	0501066930	LEFT TURNBUCKLE		01
03	0501066931	RIGTH TURNBUCKLE		01
04	0541018672	COUNTERNUT		02
05	0541018673	COUNTERNUT		02
06	0503010002	1800 GREASE FITTING		04



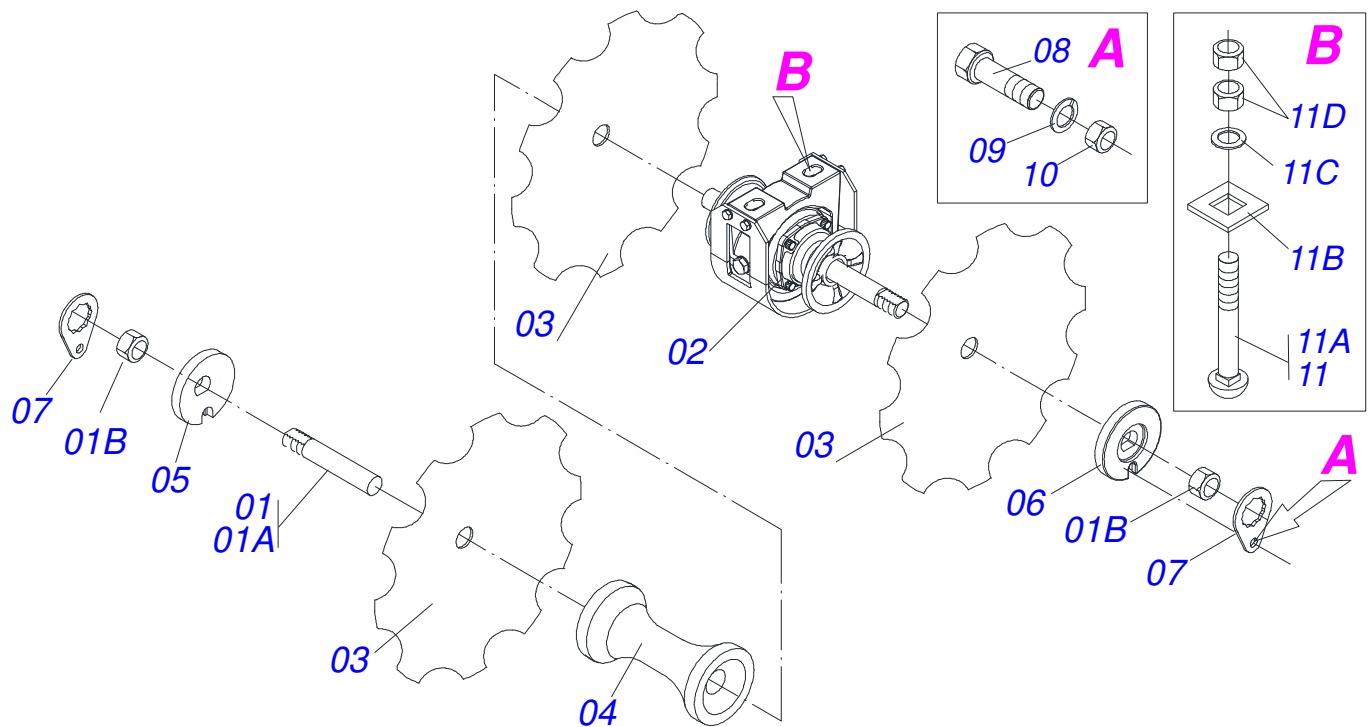
Item	Code	Description	See page	QT
01	0502011121	CARRYING WHEEL HUB		01
02	0503012171	32210 ROLLER BEARING		01
03	0503012170	30207 ROLLER BEARING		01
04	0503012928	SEAL		01
05	0501010127	9/16" X 1-7/8" LUG BOLT		06
06	0503010035	9/16" CONIC NUT		06
07	0541015259	63,40 X 366 AXLE		01
08	0501016545	FLAT WASHER		01
09	0503030009	1" CASTLE NUT		01
10	0503010018	5/32 X 1-1/2 COTTERPIN		01
11	0502020591	PROTECCION COVER		01
12	0503011444	SPRING WASHER		04
13	0503010358	5/16" X 5/8" BOLT		04
14	0503010002	1800 GREASE FITTING		01



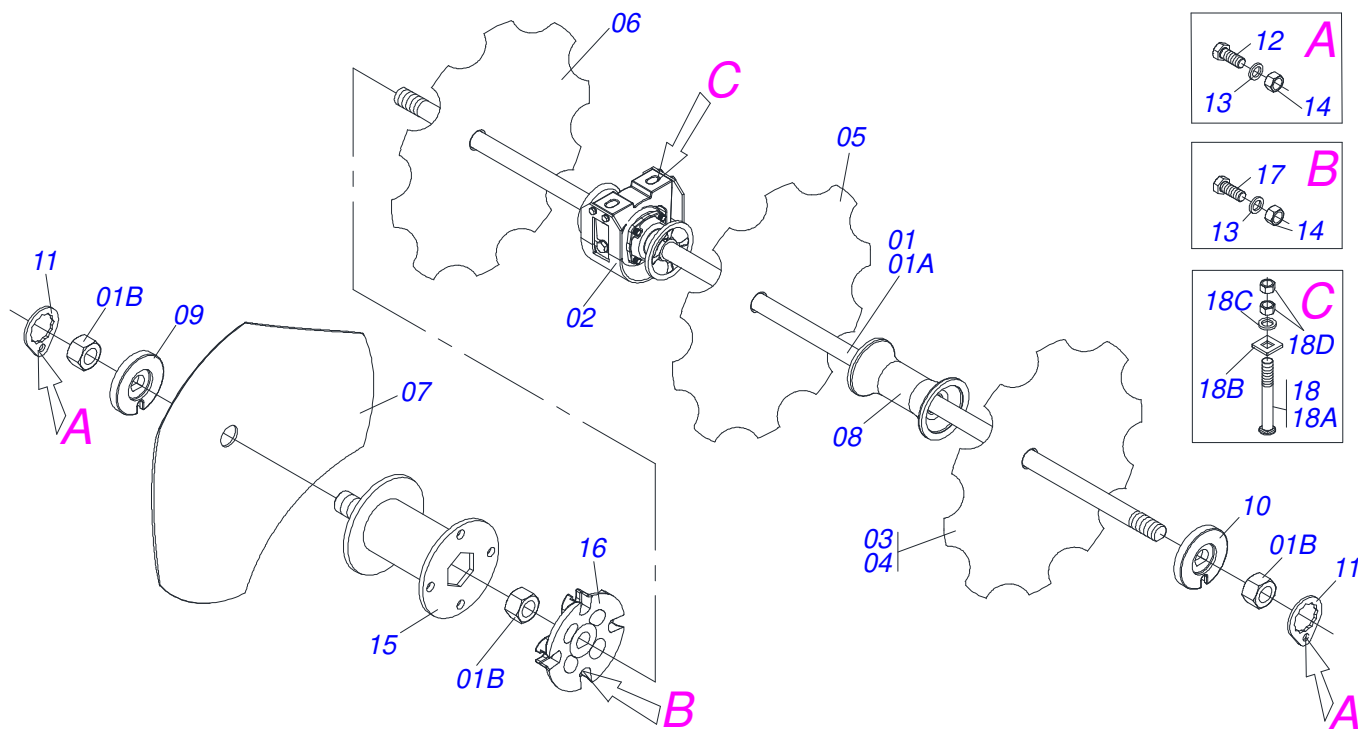
Item	Code	Description	See page	48
01	0511045023	1.1/2 6FPP X 2680 AXLE WITH NUTS		01
01A	0551011002	1.1/2 6FPP X 2680 AXLE		01
01B	0501010110	1.1/2" NUT		02
02	0511043392	225 X 1.1/2 RM OIL BATH BEARING	11	03
03	0602030331	24" X 0.236" NOTCHED DISC BLADE		12
04	0502010621	8.8" 1-1/2" SPACER		08
05	0502010871	1-1/2" EXTERNAL AXLE WASHER		01
06	0502010872	1-1/2" INNER AXLE WASHER		01
07	0501018592	1.5/8" NUT LOCK		02
08	0503011267	5/8 UNC X 1.1/2 C S G.5 ZN BOLT		02
09	0503010027	5/8 SPRING WASHER		02
10	0503010013	5/8 NUT		02
11	0501042160	5/8" X 76 BOLT ASSY		06
11A	0501011234	5/8" X 3" BOLT		06
11B	0501010947	5/8 NUT LOCK		06
11C	0501012140	FLAT WASHER		06
11D	0503010013	5/8 NUT		12



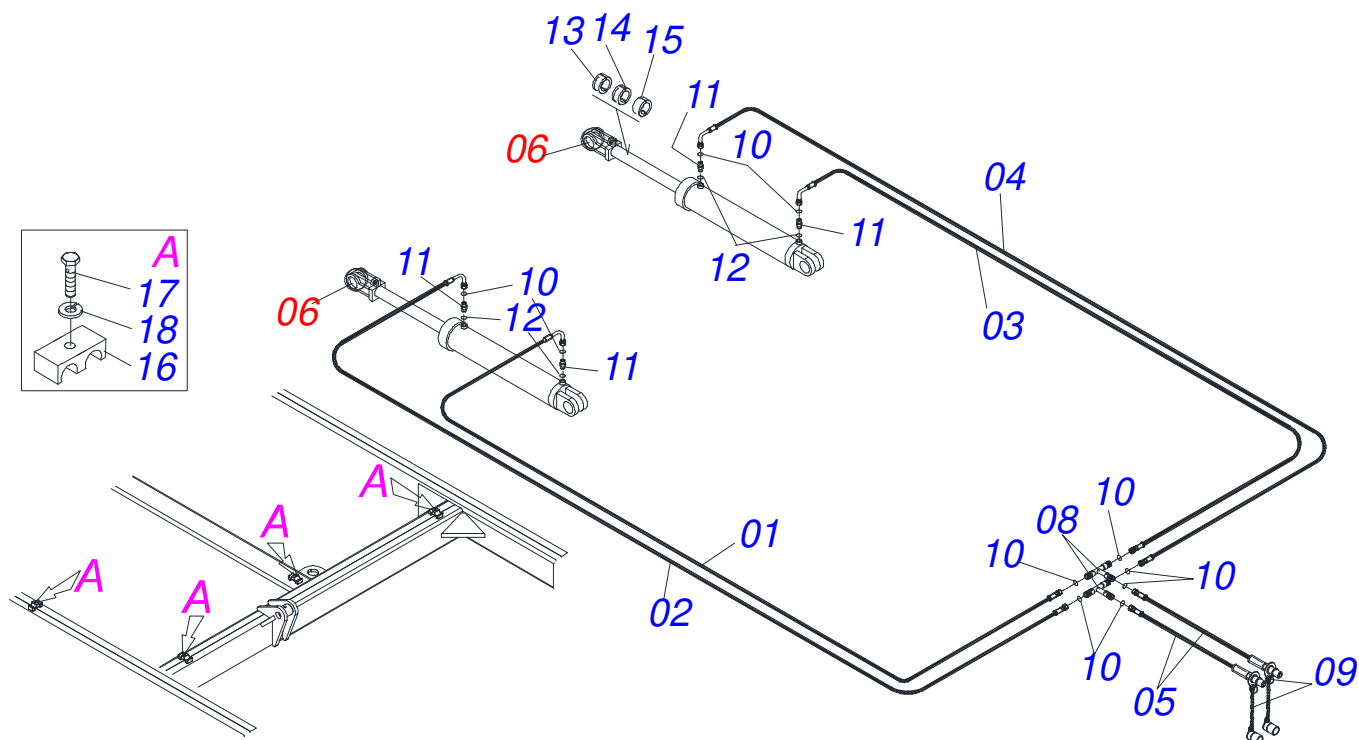
Item	Code	Description	See page	QT
01	0511045023	1.1/2 6FPP X 2680 AXLE WITH NUTS		01
01A	0551011002	1.1/2 6FPP X 2680 AXLE		01
01B	0501010110	1.1/2" NUT		03
02	0511043377	AGRICULTURAL BEARING	12	03
03	0601031031	24" X 6 PLAIN DISC BLADE		11
04	0602030331	24" X 0.236" NOTCHED DISC BLADE		11
05	0602029186	22" X 0.236" NOTCHED DISC BLADE		01
06	0602027288	20" X 0.236" NOTCHED DISC BLADE		01
07	0602025161	18" X 6MM NOTCHED DISC		01
08	0502010621	8.8" 1-1/2" SPACER		08
09	0502010871	1-1/2" EXTERNAL AXLE WASHER		01
10	0502010872	1-1/2" INNER AXLE WASHER		01
11	0501018592	1.5/8" NUT LOCK		02
12	0503011267	5/8 UNC X 1.1/2 C S G.5 ZN BOLT		02
13	0503010027	5/8 SPRING WASHER		06
14	0503010013	5/8 NUT		06
15	0511067145	227 SPACER		01
16	0502012376	1-1/2" EXTERNAL AXLE LOCK		01
17	0503010232	5/8" X 1.3/4" BOLT		04
18	0501042160	5/8" X 76 BOLT ASSY		06
18A	0501011234	5/8" X 3" BOLT		06
18B	0501010947	5/8 NUT LOCK		06
18C	0501012140	FLAT WASHER		06
18D	0503010013	5/8 NUT		12



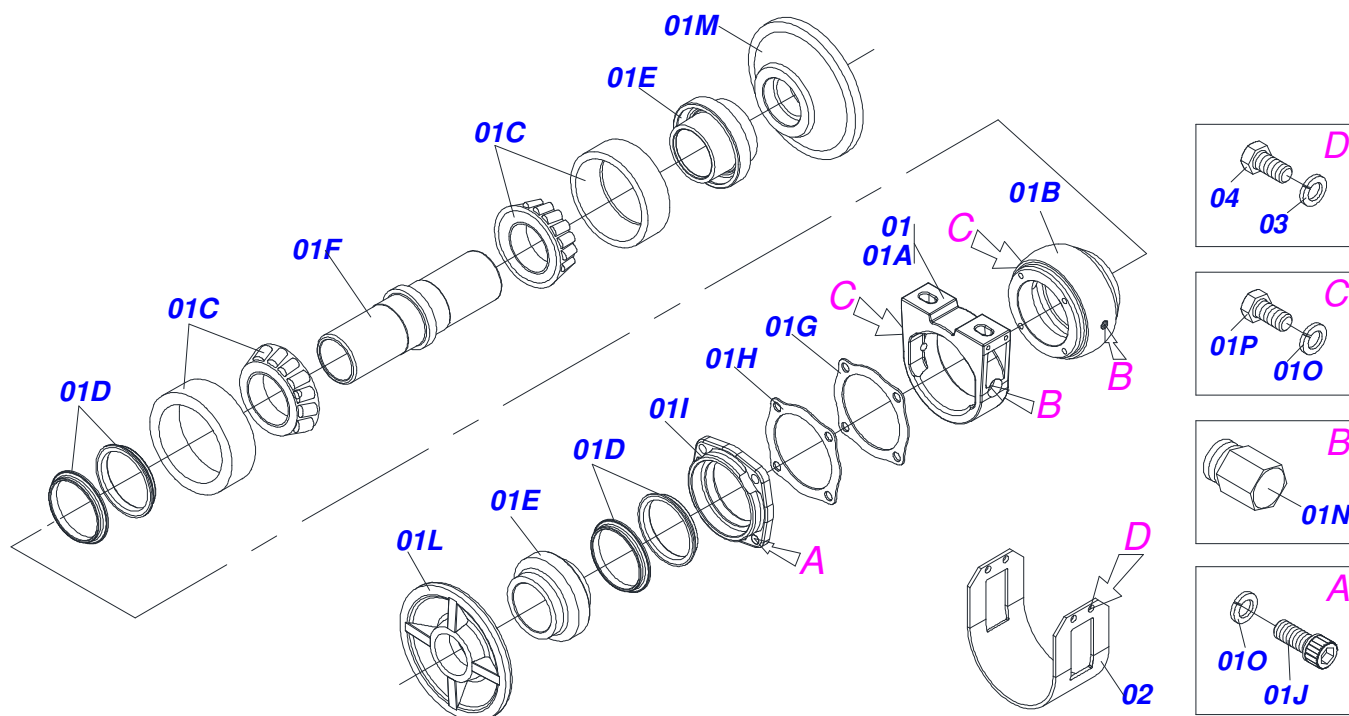
Item	Code	Description	See page	QT
01	0511045023	1.1/2 6FPP X 2680 AXLE WITH NUTS		01
01A	0551011002	1.1/2 6FPP X 2680 AXLE		01
01B	0501010110	1.1/2" NUT		02
02	0511043377	AGRICULTURAL BEARING	12	03
03	0602030331	24" X 0.236" NOTCHED DISC BLADE		12
04	0502010621	8.8" 1-1/2" SPACER		08
05	0502010871	1-1/2" EXTERNAL AXLE WASHER		01
06	0502010872	1-1/2" INNER AXLE WASHER		01
07	0501018592	1.5/8" NUT LOCK		02
08	0503011267	5/8 UNC X 1.1/2 C S G.5 ZN BOLT		02
09	0503010027	5/8 SPRING WASHER		02
10	0503010013	5/8 NUT		02
11	0501042160	5/8" X 76 BOLT ASSY		06
11A	0501011234	5/8" X 3" BOLT		06
11B	0501010947	5/8 NUT LOCK		06
11C	0501012140	FLAT WASHER		06
11D	0503010013	5/8 NUT		12



Item	Code	Description	See page	QT
01	0511045023	1.1/2 6FPP X 2680 AXLE WITH NUTS		01
01A	0551011002	1.1/2 6FPP X 2680 AXLE		01
01B	0501010110	1.1/2" NUT		03
02	0511043392	225 X 1.1/2 RM OIL BATH BEARING	11	03
03	0601031031	24" X 6 PLAIN DISC BLADE		11
04	0602030331	24" X 0.236" NOTCHED DISC BLADE		11
05	0602029186	22" X 0.236" NOTCHED DISC BLADE		01
06	0602027288	20" X 0.236" NOTCHED DISC BLADE		01
07	0602025161	18" X 6MM NOTCHED DISC		01
08	0502010621	8.8" 1-1/2" SPACER		08
09	0502010871	1-1/2" EXTERNAL AXLE WASHER		01
10	0502010872	1-1/2" INNER AXLE WASHER		01
11	0501018592	1.5/8" NUT LOCK		02
12	0503011267	5/8 UNC X 1.1/2 C S G.5 ZN BOLT		02
13	0503010027	5/8 SPRING WASHER		06
14	0503010013	5/8 NUT		06
15	0511067145	227 SPACER		01
16	0502012376	1-1/2" EXTERNAL AXLE LOCK		01
17	0503010232	5/8" X 1.3/4" BOLT		04
18	0501042160	5/8" X 76 BOLT ASSY		06
18A	0501011234	5/8" X 3" BOLT		06
18B	0501010947	5/8 NUT LOCK		06
18C	0501012140	FLAT WASHER		06
18D	0503010013	5/8 NUT		12

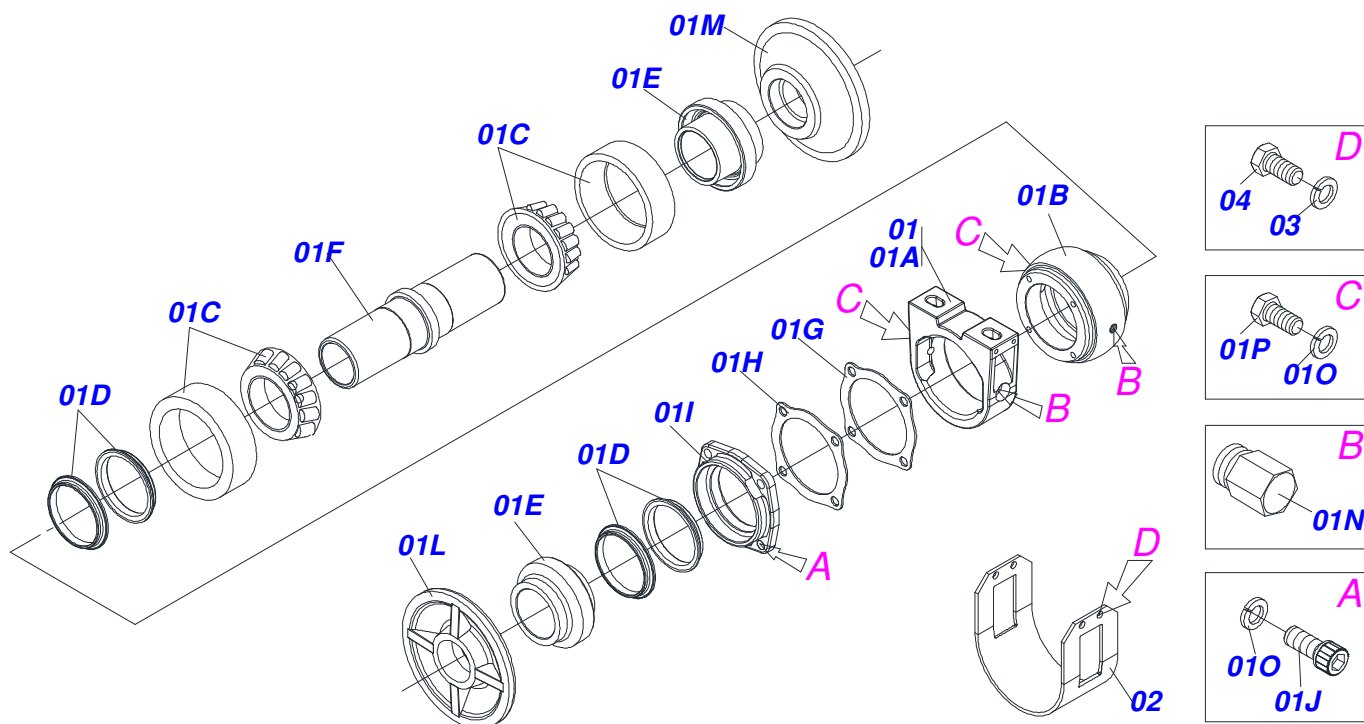


Item	Code	Description	See page	QT
01	0501080574	3/8" X 1100 TR-TC HOSE ASSY		01
02	0501080996	3/8" X 1350 TR-TC HOSE ASSY		01
03	0501080997	3/8" X 1700 TR-TC HOSE ASSY		01
04	0501080998	3/8" X 2100 TR-TC HOSE ASSY		01
05	0501080562	3/8" X 4500 TR-TR HOSE ASSY		02
06	0501049064	50,8 X 101,6 X 515 X 203 HYDRAULIC CYLINDER	3	02
07	0502010477	HOSE CLAMP		04
08	0503013273	T 1/2" MALE ADAPTER		02
09	0501053834	MALE QUICK COUPLER		02
10	0503011030	2-014 N 3006-9B O-RING		10
11	0503030923	3/4" UNF X 13/16UN OFS X 40 NIPPLE		04
12	0503010190	2-114 N 3006-9B O-RING		04
13	0501047895	25 ROD STOP		02
14	0501047896	1.18" ROD STOP		02
15	0501047898	1.57" ROD STOP		02
16	0502010477	HOSE CLAMP		04
17	0503011102	BOLT 7/16 UNC X 1.1/4 C S G.5 ZN		04
18	0503010180	7/16" SPRING WASHER		04

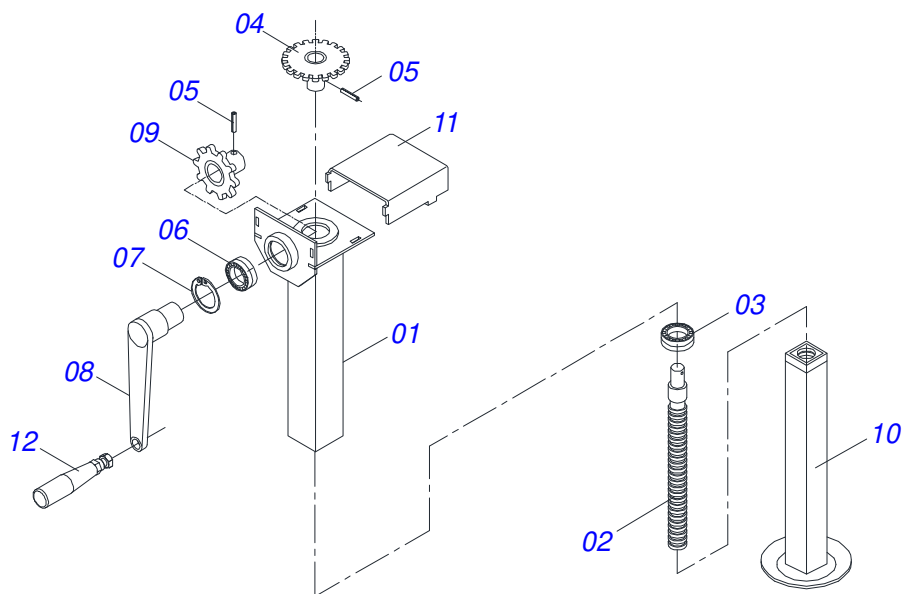


Item	Code	Description	See page	QT
01	0511043396	BEARING GUARD		01
01A	0502010936	FIXING BOX		01
01B	0502010937	OSCILLATING BOX		01
01C	0503012171	32210 ROLLER BEARING		02
01D	0503030026	SEAL LP JB-253		02
01E	0502010821	SEAL RETAINER		02
01F	0502040611	AXLE		01
01G	0503030684	4.4" X 3.5" X 0.004" JOINT		01
01H	0503030013	4.4" X 3.5" X 0.004" JOINT		01
01I	0502020424	HOUSING CAP		01
01J	0503010134	3/8" X 1" BOLT		04
01K	0503010025	3/8 SPRING WASHER		04
01L	0502010605	INNER FLANGE		01
01M	0502010604	OUTER FLANGE		01
01N	0541015511	3/8" BSP PLUG		01
01O	0503010027	5/8 SPRING WASHER		01
01P	0511012297	5/8" X 1" BOLT		01
02	0511015895	BEARING GUARD		01
03	0503010025	3/8 SPRING WASHER		04
04	0503010256	3/8" X 3/4" BOLT		04



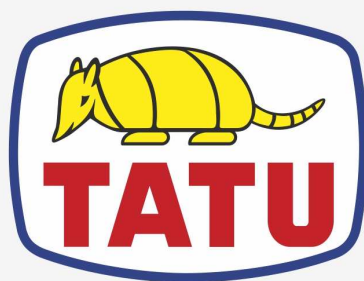


Item	Code	Description	See page	QT
01	0511043394	OSC 225X1.1/2" OIL BATH BEARING		01
01A	0502012315	REAR FIXED BOX		01
01B	0502010937	OSCILLATING BOX		01
01C	0503012171	32210 ROLLER BEARING		02
01D	0503030026	SEAL LP JB-253		02
01E	0502010821	SEAL RETAINER		02
01F	0502040611	AXLE		01
01G	0503030684	4.4" X 3.5" X 0.004" JOINT		01
01H	0503030013	4.4" X 3.5" X 0.004" JOINT		01
01I	0502020424	HOUSING CAP		01
01J	0503010134	3/8" X 1" BOLT		04
01K	0503010025	3/8 SPRING WASHER		04
01L	0502010605	INNER FLANGE		01
01M	0502010604	OUTER FLANGE		01
01N	0541015511	3/8" BSP PLUG		01
01O	0503010027	5/8 SPRING WASHER		01
01P	0511012297	5/8" X 1" BOLT		01
02	0511015895	BEARING GUARD		01
03	0503010025	3/8 SPRING WASHER		04
04	0503010256	3/8" X 3/4" BOLT		04



Item	Code	Description	See page	QT
01	0511065948	OUTER BODY DRAWBAR JACK		01
02	0531017603	JACK SPINDLE		01
03	0503013092	51305 BEARING		01
04	0511064234	20Z DRIVER GEAR		01
05	0503010561	SPRING PIN		02
06	0503011410	ROLLER BEARING		01
07	0503011105	SEAL RING		01
08	0511064235	JACK CRANK		01
09	0511064233	10Z DRIVER GEAR		01
10	0511064236	JACK INNER BODY		01
11	0531017602	PROTECTION COVER GEAR		01
12	0503011312	ROTATIVE CABLE		01





**MARCHESAN**

**Technical Publications | Elaboration and Revision**

ALESSANDRA PATRICIA KAWAHARA CARRILI

[www.marchesan.com.br](http://www.marchesan.com.br)

