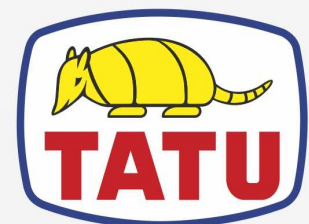


DOUBLE OFFSET DISK HARROW

OTDH 8009T - 28/30/32/34/36/38D
OTDH 8009T - 28/30/32/34/36/38D

Code: 0501091270
Series: S-1203
Revision: 00
Revision Date: APRIL/2024

PARTS CATALOGUE



MARCHESAN



PRODUCTS

Code	Working Width	Description
0102430854		OTDH 8009T 34 X 24 X 4,75 DM MT FF
0102430855		OTDH 8009T 38 X 24 X 4,75 DM MT FF
0102430850		OTDH 8009T 28 X 24X4,75 DM MT S1203
0102430853		OTDH 8009T 30 X 24 X 4,75 DM MT FF
0102430614		OTDH 8009T 30X24X4,75 DMMTFF S/PN
0102430851		OTDH 8009T 32 X 24X4,75 DM MT S1203
0102430574		OTDH 8009T 32 X 24X4,75 DM PN11L15
0102430612		OTDH 8009T 34X24X4,75 DMMTFF S/PN
0102430852		OTDH 8009T 36 X 24X4,75 DM MT S1203
0102430688		OTDH 8009T 36X24X6 MT DM E 1.1/2 S-1203
0102430613		OTDH 8009T 38X24X4,75 DMMTFF S/PN

ATTENTION: IMPORTANT

Marchesan S.A. reserves the right to improve and/or modify the technical features of its products, without obligation to do the same with those products already sold and without prior knowledge of the dealer or the customer. The photos are only illustrative.

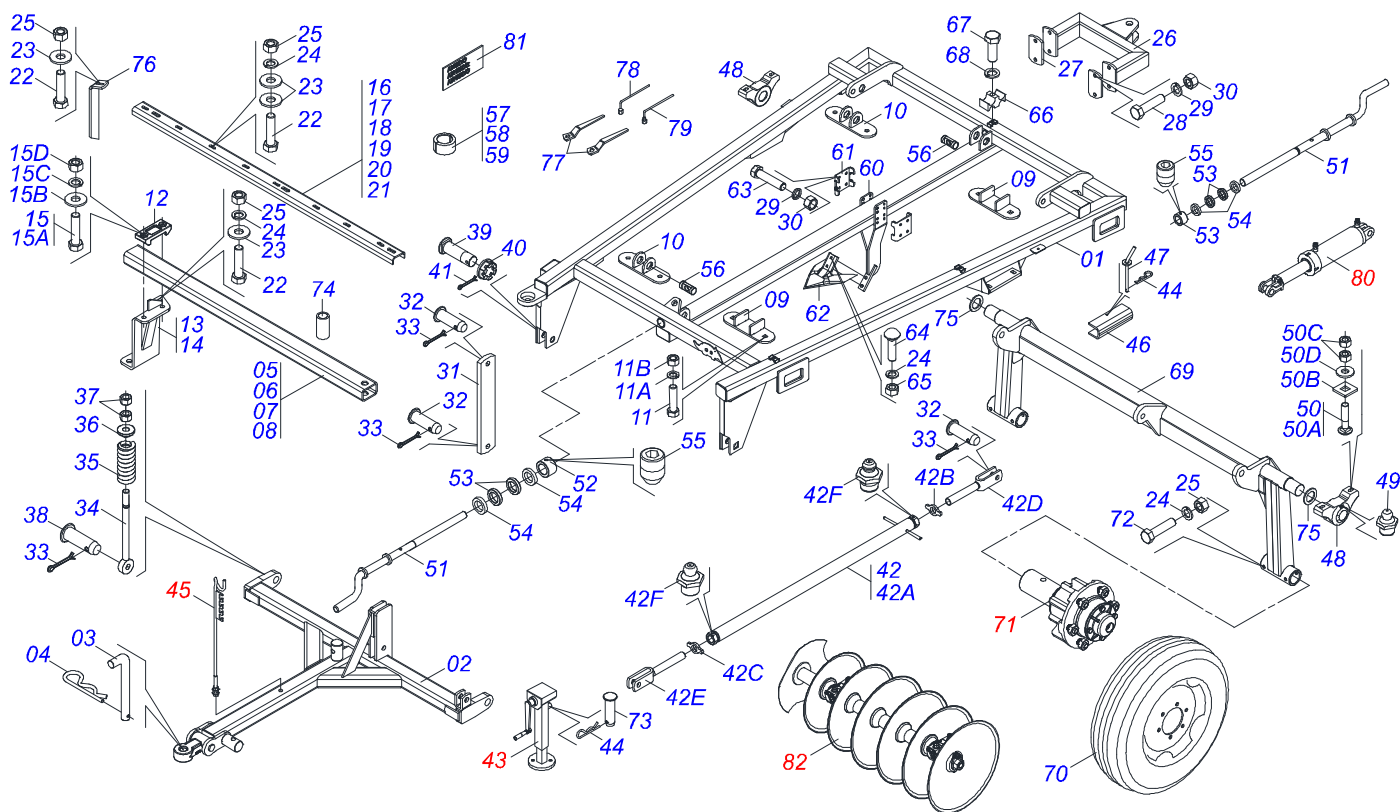


MARCHESAN

INDEX

0909091422	FRAME ASSY	1
0511048088	DRAWBAR JACK	2
0501040257	3/4" X 38" HOSE SUPPORT ASSY	3
0503060091	L 29.5" X 0.63"-10L WHEEL AND TIRE ASSY	4
0501055262	STUB SHAFT & HUB ASSY	5
0909094316	HYDRAULIC SYSTEM	6
0501053834	MALE QUICK COUPLER	7
0501053835	FEMALE QUICK COUPLER	8
0511041598	44,45 X 76,2 X 515 X 203 HYDRAULIC CYLINDER	9
0909094312	DISC GANG ASSY	10
0501043029	AGR DM OL 225X 1.1/2 BEARING	11

FRAME ASSY



Item	Code	Description	See page	28	30	32	34	36	38
01	0511065251	FRAME OTDH		01	01	01	01	01	01
02	0511065253	DRAWBAR		01	01	01	01	01	01
03	0521010453	JOINT AXIS		01	01	01	01	01	01
04	0503031035	HITCH PIN CLIP		01	01	01	01	01	01
05	0501076364	TUBE 80 X 120 X 8,80 X 1440 ASSY		02	02	00	00	00	00
06	0501076360	80 X 120 X 8,80 TUBE		02	02	02	02	02	02
07	0501076361	80 X 120 X 8,80 X 1900 TUBE		00	00	02	02	02	02
08	0501076362	80 X 120 X 8,80 X 2130 TUBE		00	00	00	00	02	02
09	0511065257	LOWER REGULACION FRAME		02	02	02	02	02	02
10	0511065265	REGULACION UPPER FRAME		02	02	02	02	02	02
11	0501044075	1" X 6" ASSY BOLT		04	04	04	04	04	04
11A	0541810210	FLAT WASHER		04	04	04	04	04	04
11B	0501010059	1.5/8 NUT		04	04	04	04	04	04
12	0502012323	BRACKET FIXER		12	12	12	12	16	16
13	0511065266	LEFT FRONT BRACKET REAR RIGHT		04	04	04	04	06	06
14	0511065942	RIGHT FRONT BRACKET REAR LEFT		04	04	04	04	06	06
15	0501056787	1" X 6" ASSY BOLT		24	24	24	24	24	24
15A	0501810191	1" X 6" ASSY BOLT		24	24	24	24	24	24
15B	0541810210	FLAT WASHER		24	24	24	24	24	24
15C	0503011438	SPRING WASHER		24	24	24	24	24	24
15D	0501010059	1.5/8 NUT		24	24	24	24	24	24
16	0541013401	1320 BAR FIX SCRAPER		02	02	00	00	00	00
17	0541013402	BAR FIX SCRAPER 1470		02	02	00	00	00	00
18	0541013403	1550 BAR FIX SCRAPER		00	00	02	02	00	00
19	0541013404	1700 BAR FIX SCRAPER		00	00	02	02	00	00
20	0541014041	BAR FIX SCRAPER 1780		00	00	00	00	02	02
21	0541014042	1930 BAR FIX SCRAPER		00	00	00	00	02	02
22	0501010243	1/2" X 1-1/2" BOLT		32	34	36	38	44	46
23	0511017302	FLAT WASHER 13,50 X 32,50 X 3,0 ZN		56	60	64	68	76	80
24	0503010019	1/2" SPRING WASHER		86	92	98	104	114	120
25	0503010060	1/2 UNC G.5 ZN HEX NUT		84	90	96	102	112	118
26	0511065264	REAR HITCH		01	01	01	01	01	01



FRAME ASSY

0909091422

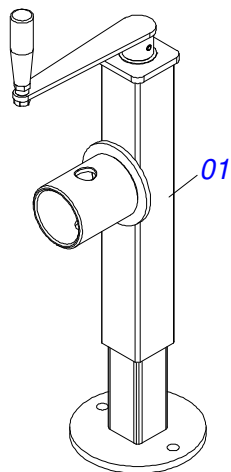
Item	Code	Description	See page	28	30	32	34	36	38
27	0541011288	REAR BASE HITCH		02	02	02	02	02	02
28	0503011198	BOLT 3/4" UNC X 6" CS G.5		04	04	04	04	04	04
29	0503010023	3/4" SPRING WASHER		08	08	08	08	08	08
30	0503010014	3/4" ZN G.5 (HEAVY) UNC HEX NUT		16	16	16	16	16	16
31	0541011458	STABILIZER BAR TOWER		01	01	01	01	01	01
32	0521010572	0.9" X 2.9" COUPLING SHAFT		03	03	03	03	03	03
33	0503010523	1/4" X 2" SPLIT PIN		08	08	08	08	08	08
34	0501064699	SPRING ROD		01	01	01	01	01	01
35	0503030541	3.4" X 8.0" X 0.8" SPRING		01	01	01	01	01	01
36	0541011426	SPRING GUIDE		01	01	01	01	01	01
37	0501010087	1.1/4" NUT		02	02	02	02	02	02
38	0521010592	1.1" X 3.1" COUPLING SHAFT		01	01	01	01	01	01
39	0521017538	11-1/2" X 5" COUPLING SHAFT		02	02	02	02	02	02
40	0501011301	1.1/2" UNC 6FPP 2.5/16" NUT		02	02	02	02	02	02
41	0503010010	SPLIT PIN 1/4" X 2.1/2"		02	02	02	02	02	02
42	0511043147	STABILIZER TURNBUCKLE		01	01	01	01	01	01
42A	0511065267	1700 STABILIZER TURNBUCKLE		01	01	01	01	01	01
42B	0541018672	COUNTERNUT		01	01	01	01	01	01
42C	0541018673	COUNTERNUT		01	01	01	01	01	01
42D	0511062887	RIGHT TURNBUCKLE		01	01	01	01	01	01
42E	0511062888	LH TURNBUCKLE		01	01	01	01	01	01
42F	0503010002	1800 GREASE FITTING		02	02	02	02	02	02
43	0511048088	DRAWBAR JACK	2	01	01	01	01	01	01
44	0503030012	HITCH PIN CLIP		01	01	01	01	01	01
45	0501040257	3/4" X 38" HOSE SUPPORT ASSY	3	01	01	01	01	01	01
46	0511010932	TRANSPORT LOCK		02	02	02	02	02	02
47	0501068994	8,30 X 78 LOCK PIN		02	02	02	02	02	02
48	0501110856	ARTICULATION BEARING		02	02	02	02	02	02
49	0503010002	1800 GREASE FITTING		04	04	04	04	04	04
50	0501042160	5/8" X 76 BOLT ASSY		04	04	04	04	04	04
50A	0501011234	5/8" X 3" BOLT		04	04	04	04	04	04
50B	0501010947	5/8 NUT LOCK		04	04	04	04	04	04
50C	0503010013	5/8 UNC G.5 ZN HEX NUT		04	04	04	04	04	04
50D	0501012140	FLAT WASHER 16,50 X 40 X 4,00 ZN		04	04	04	04	04	04
51	0511069759	REGULATOR SPINDLE 800		02	02	02	02	02	02
52	0541019090	32,50 X 50 X 32 SLEEVE		02	02	02	02	02	02
53	0501019523	FLAT WASHER		04	04	04	04	04	04
54	0541011456	NYLON WASHER		04	04	04	04	04	04
55	0503011148	3/8" X 1/2" BOLT		02	02	02	02	02	02
56	0521011158	SPRING LOCKNUT		02	02	02	02	02	02
57	0501047895	25 ROD STOP		02	02	02	02	02	02
58	0501047885	30 ROD STOP		02	02	02	02	02	02
59	0501047887	40 ROD STOP		02	02	02	02	02	02
60	0511065841	SUPPORT SWEEP		01	01	01	01	01	01
61	0541011468	EAR SUPPORT FIXER SHANKS		02	02	02	02	02	02
62	0628095654	CHISEL SWEEP		01	01	01	01	01	01
63	0501013475	BOLT 3/4" UNC X 7.1/2" C S G.5 ZN		04	04	04	04	04	04
64	0501010141	1/2" X 2-1/2" BOLT		02	02	02	02	02	02
65	0503010020	1/2"NUT		02	02	02	02	02	02
66	0502012702	BODY SUPPORT CLAMP		03	03	03	03	03	03
67	0503012555	7/16" UNC X 2" CS RT G.7 ZN SCREW		03	03	03	03	03	03
68	0503010180	7/16" SPRING WASHER		03	03	03	03	03	03
69	0511065258	CARRYING-WHEELS SUPPORT		01	01	01	01	01	01
70	0503060091	L 29.5" X 0.63"-10L WHEEL AND TIRE ASSY	4	04	04	04	04	04	04
71	0501055262	STUB SHAFT & HUB ASSY	5	04	04	04	04	04	04
72	0503010547	1/2" X 4" BOLT		04	04	04	04	04	04
73	0561014251	COUPLING SHAFT		01	01	01	01	01	01
74	0541011408	SPACER 26.99 X 38.1 X 82		04	04	04	04	04	04
75	0501017579	FLAT WASHER		02	02	02	02	02	02
76	0501018409	FRONT SCRAPER BODY		12	13	14	15	16	17
77	0501011432	1-1/2" AND 1-5/8 GANG BOLT WRENCH		02	02	02	02	02	02



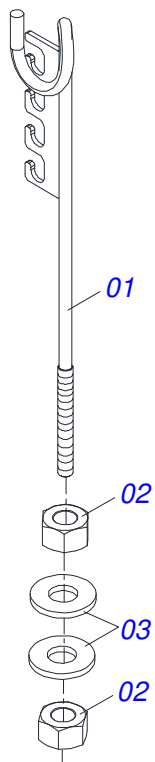
FRAME ASSY

0909091422

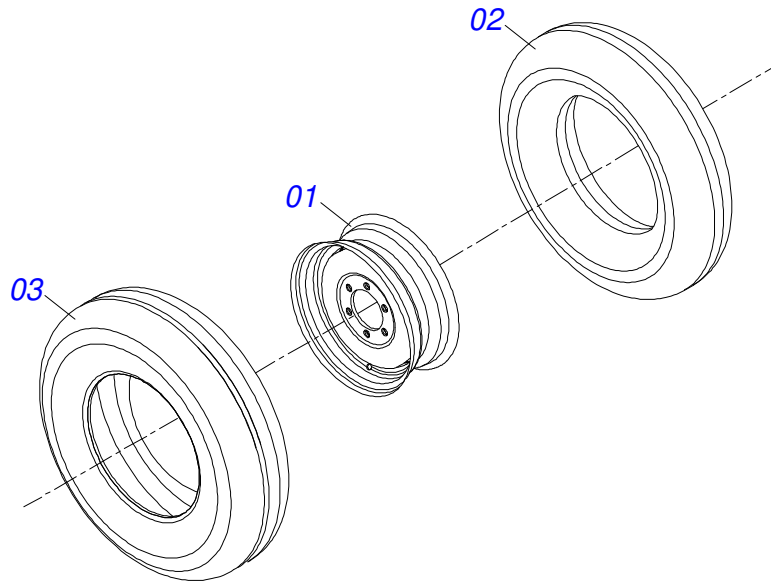
Item	Code	Description	See page	28	30	32	34	36	38
78	0501068273	5/8" WRENCH		01	01	01	01	01	01
79	0501061617	1" GANG BOLT WRENCH		01	01	01	01	01	01
80		HYDRAULIC SYSTEM	6						
81	0503060864	DECAL ASSY		01	01	01	01	01	01
82		DISC GANG ASSY	10						



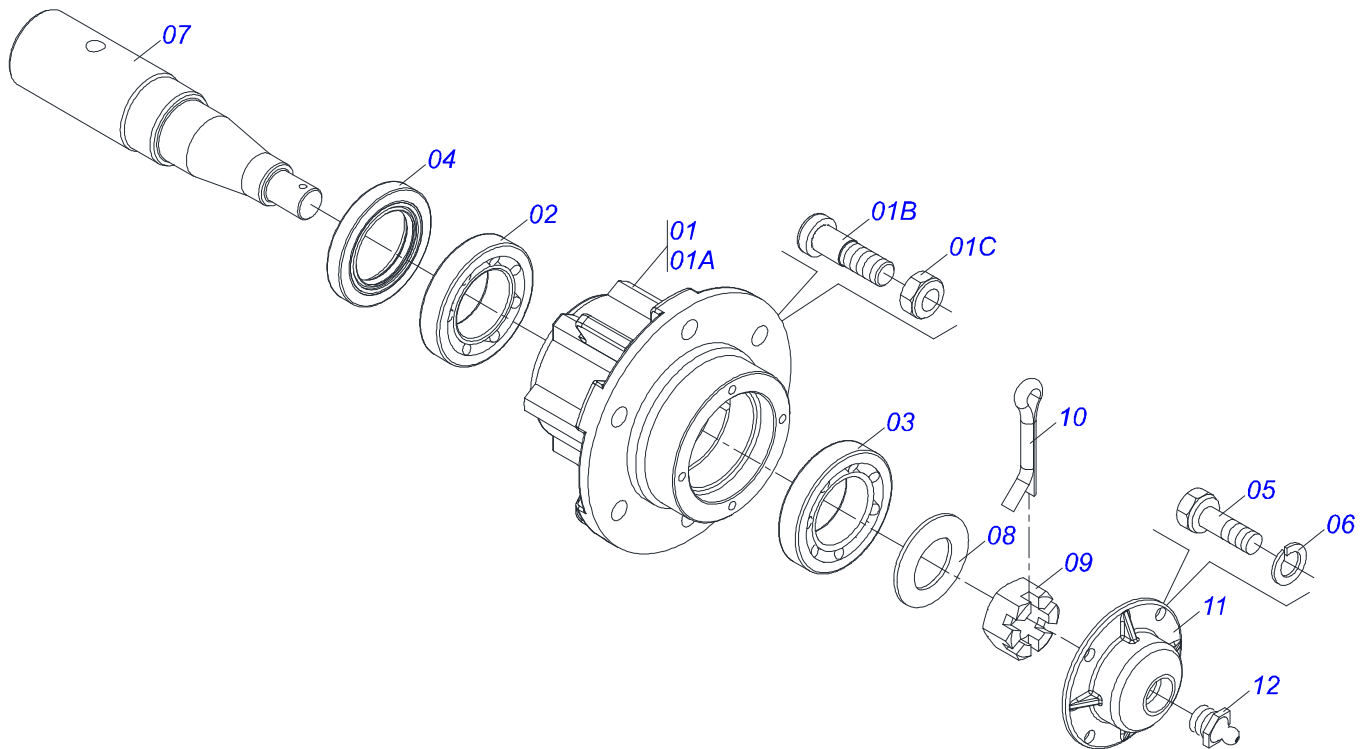
Item	Code	Description	See page	QT
01	0503062227	DRAWBAR JACK		01



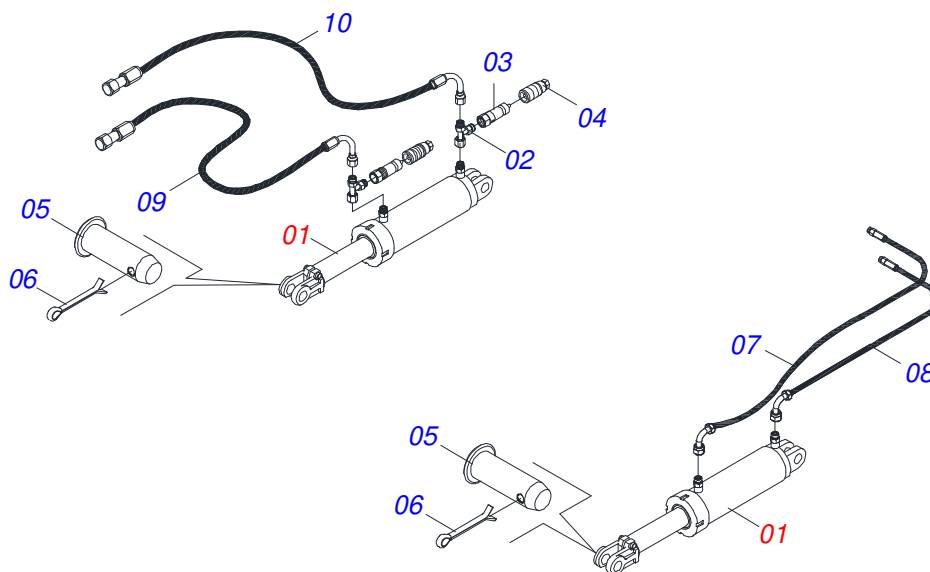
Item	Code	Description	See page	QT
01	0511067334	HOSE SUPPORT		01
02	0503010014	3/4" ZN G.5 (HEAVY) UNC HEX NUT		02
03	0501010322	20,50 X 46 X 4,00 ZN FLAT WASHER		02



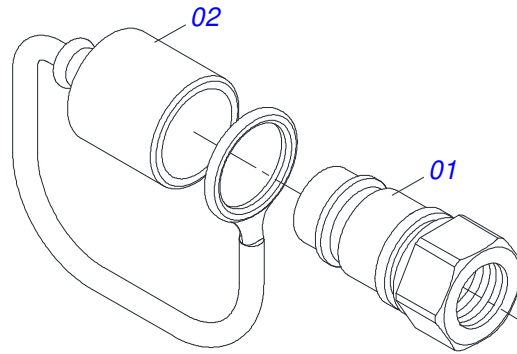
Item	Code	Description	See page	QT
01	0503010893	WHEEL		01
02	0503010033	7.50 X 16 INNER TIRE		01
03	0503010120	CANVAS TIRE		01



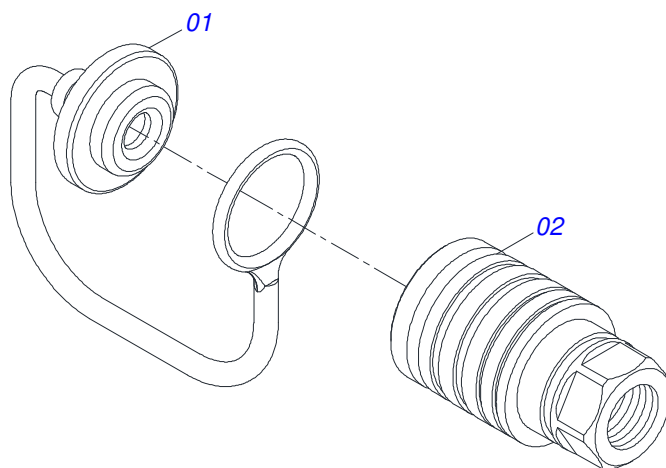
Item	Code	Description	See page	QT
01	0501110728	WHEEL HUB		01
01A	0502011121	CARRYING WHEEL HUB		01
01B	0501010127	9/16" X 1-7/8" LUG BOLT		06
01C	0503010035	9/16" CONIC NUT		06
02	0503012171	32210 ROLLER BEARING		01
03	0503012170	30207 ROLLER BEARING		01
04	0503012928	SEAL		01
05	0503010358	5/16" X 5/8" BOLT		04
06	0503011444	SPRING WASHER 5/16"		04
07	0541010739	2.5" X 12.2" AXLE		01
08	0501016545	FLAT WASHER		01
09	0503030009	1" CASTLE NUT		01
10	0503010018	5/32" X 1-1/2" SPLIT PIN		01
11	0502020591	PROTECTION LID		01
12	0503010002	1800 GREASE FITTING		01



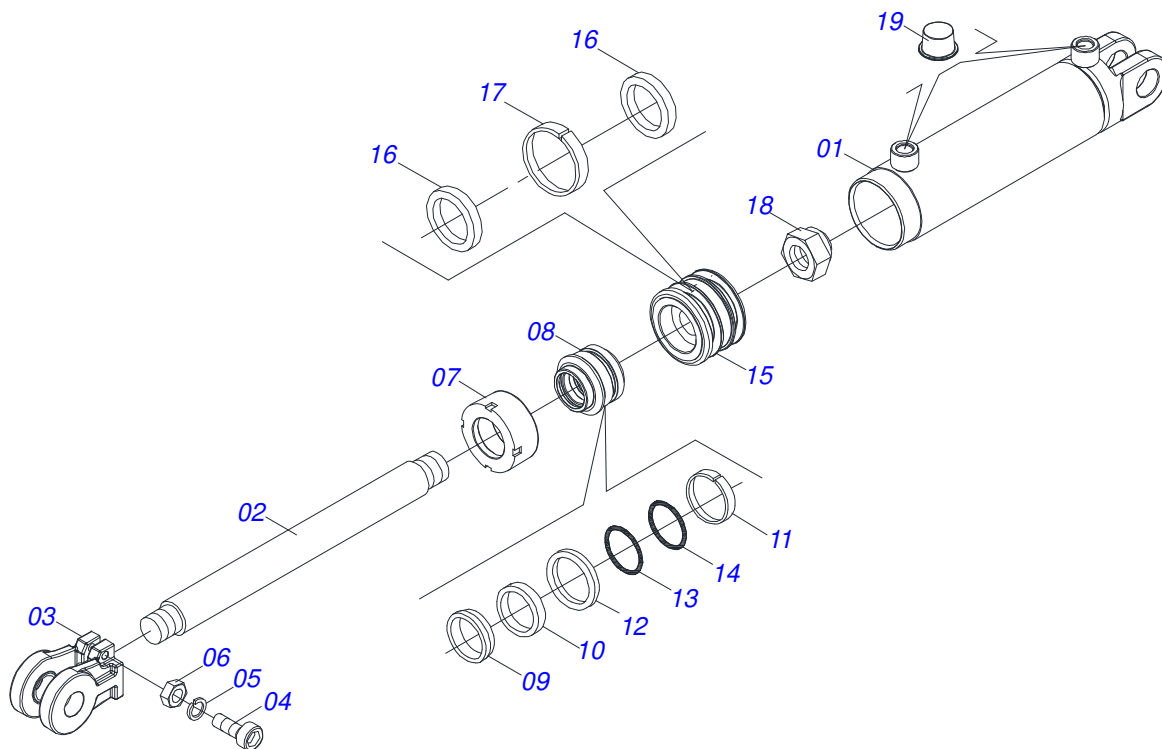
Item	Code	Description	See page	28	30	32	34	36	38
01	0511041598	44,45 X 76,2 X 515 X 203 HYDRAULIC CYLINDER	9	02	02	02	02	02	02
02	0503013637	T 1/2" MALE ADAPTER		02	02	02	02	02	02
03	0501053834	MALE QUICK COUPLER	7	02	02	02	02	02	02
04	0501053835	FEMALE QUICK COUPLER	8	02	02	02	02	02	02
05	0521012538	1.2" X 3.5" COUPLING SHAFT		04	04	04	04	04	04
06	0503010523	1/4" X 2" SPLIT PIN		04	04	04	04	04	04
07	0501081104	3/8" X 2200 TR-TC HOSE OFS		01	01	01	01	01	01
08	0501081105	3/8" X 2500 TR-TC HOSE OFS		01	01	01	01	01	01
09	0501081106	3/8" X 5500 TC-TM HOSE OFS		01	01	01	01	01	01
10	0501081107	3/8" X 5800 TC-TM HOSE OFS		01	01	01	01	01	01



Item	Code	Description	See page	QT
01	0503011627	MALE QUICK COUPLER AGR 1/2 NPT		01
02	0503011882	MALE QUICK COUPLER CAP		01

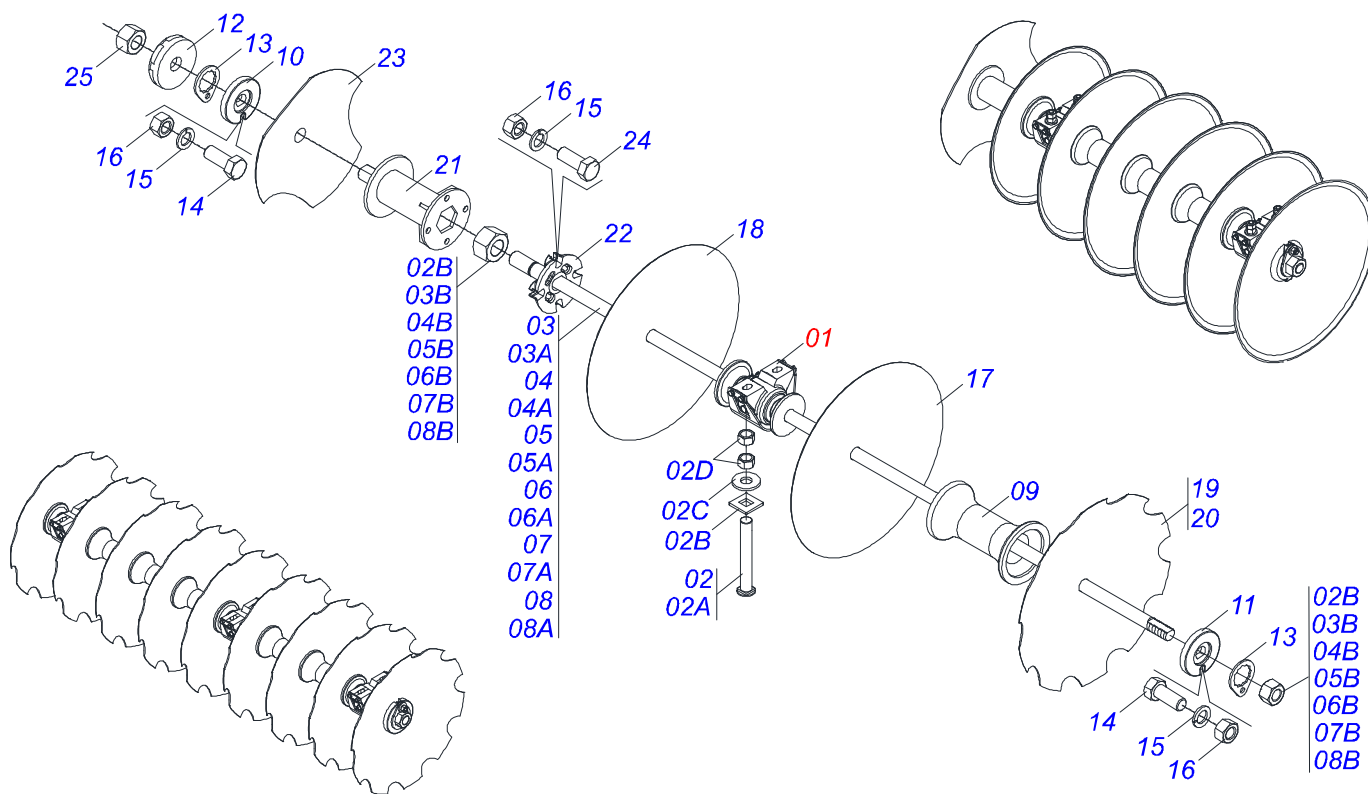


Item	Code	Description	See page	QT
01	0503011883	PLASTIC COVER		01
02	0503011628	FEMALE QUICK COUPLER		01



Item	Code	Description	See page	QT
01	0511064734	3" X 15" CYLINDER CASE		01
02	0531019381	1.7" X 16" TURNBUCLE		01
03	0502040747	32.54 CLEVIS CLAMP		01
04	0503011094	BOLT 3/8" UNC X 2" C C S I 12.9		01
05	0503010025	3/8 SPRING WASHER		01
06	0503010026	3/8" NUT		01
07	0502011899	MOBILE LID		01
08	0502011897	RING SUPPORT		01
09	0503010761	D-1750 SCRAPER RING		01
10	0503010990	GASKET		01
11	0503010949	W2-2000-500 PK RING G.E		01
12	0503011059	8-334 BACK-UP RING		01
13	0503010343	2-334 N 3006-9B O'RING		01
14	0503010345	2-218 N 3006-9B O'RING		01
15	0502011898	1.8" X 3.0" PISTON		01
16	0503012768	3750-2250 GASKET		02
17	0503010992	3 X 3 X 1/2 W2-3000-500 PK RING		01
18	0503010063	1" SELF-ALIGNING NUT		01
19	0503030384	PLUG N-001		02
20	0501033655	HYDRAULIC CYLINDER REPAIR KIT		01

DISC GANG ASSY



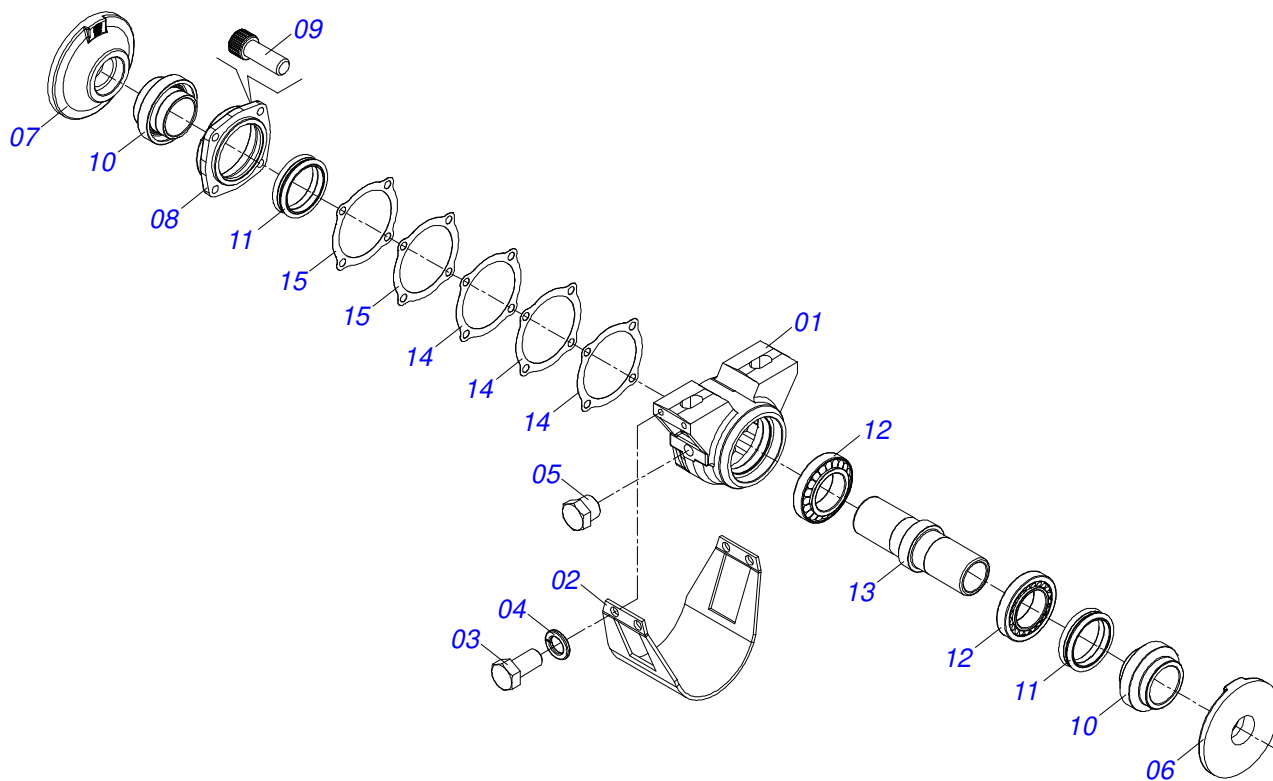
Item	Code	Description	See page	28	30	32	34	36	38
01	0501043029	AGR DM OL 225X 1.1/2 BEARING	11	08	08	08	08	12	12
02	0501058802	5/8 UNC X 2.3/4 BOLT ASSY		16	16	16	16	24	24
02A	0503015154	5/8" X 2.3/4" BOLT		01	01	01	01	01	01
02B	0501010947	5/8 NUT LOCK		01	01	01	01	01	01
02C	0501012140	FLAT WASHER 16,50 X 40 X 4,00 ZN		01	01	01	01	01	01
02D	0503010013	5/8 UNC G.5 ZN HEX NUT		02	02	02	02	02	02
03	0501043697	1.1/2 6FPP X 1505 AXLE WITH NUTS		02	02	00	00	00	00
03A	0511012601	1.1/2 6FPP X 1505 AXLE		01	01	00	00	00	00
03B	0501010110	1.1/2 NC 6FPP 2.3/8 HEXAGONAL NUT		02	02	00	00	00	00
04	0511043093	1-1/2" X 1485 AXLE ASSY		02	02	00	00	00	00
04A	0511065816	1-1/2" X 1485 AXLE ASSY		01	01	00	00	00	00
04B	0501010110	1.1/2 NC 6FPP 2.3/8 HEXAGONAL NUT		02	02	00	00	00	00
05	0501049245	1-1/2" X 1715 AXLE ASSY		00	00	02	02	00	00
05A	0511061238	1-1/2" X 1715 AXLE ASSY		00	00	01	01	00	00
05B	0501010110	1.1/2 NC 6FPP 2.3/8 HEXAGONAL NUT		00	00	02	02	00	00
06	0501043837	1-1/2" X 68" AXLE WITH NUTS		00	00	02	02	00	00
06A	0511010225	1-1/2" X 68" AXLE		00	00	01	01	00	00
06B	0501010110	1.1/2 NC 6FPP 2.3/8 HEXAGONAL NUT		00	00	02	02	00	00
07	0511043174	1-1/2" X 1945 AXLE ASSY		00	00	00	00	02	02
07A	0511065962	1-1/2" X 1945 AXLE ASSY		00	00	00	00	01	01
07B	0501010110	1.1/2 NC 6FPP 2.3/8 HEXAGONAL NUT		00	00	00	00	02	02
08	0501043756	1-1/2" X 77" AXLE WITH NUTS		00	00	00	00	02	02
08A	0511010230	1-1/2" X 77" AXLE		00	00	00	00	01	01
08B	0501010110	1.1/2 NC 6FPP 2.3/8 HEXAGONAL NUT		00	00	00	00	02	02
09	0502010621	8.8" 1-1/2" SPACER		16	16	20	20	20	20
10	0502010871	EXTERNAL AXLE WASHER 1.1/2"		02	02	02	02	02	02
11	0502010872	1-1/2" INNER AXLE WASHER		04	04	04	04	04	04
12	0502010619	1.1/2 EXTERNAL AXLE WASHER		02	02	02	02	02	02
13	0501018592	1.5/8 HEX 60,0/60,2 LOCK NUT		06	06	06	06	06	06
14	0503011267	BOLT 5/8" UNC X 1.1/2 C S G.5 ZN		06	06	06	06	06	06
15	0503010027	5/8 SPRING WASHER		06	06	06	06	06	06
16	0503010013	5/8 UNC G.5 ZN HEX NUT		06	06	06	06	06	06



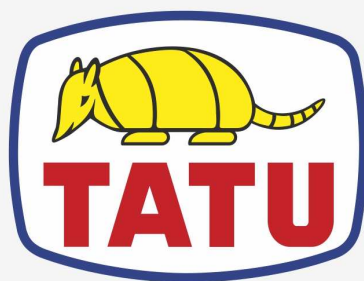
DISC GANG ASSY

0909094312

Item	Code	Description	See page	28	30	32	34	36	38
17	0601031114	24" X 4,75 PLAIN DISC BLADE		14	15	16	17	18	19
18	0601031116	24 X 6 PLAIN DISC		14	05	06	17	18	19
19	0602030419	24" X 4,75" NOTCHED DISC BLADE		14	15	16	17	18	19
20	0602030421	24" X 6 NOTCHED DISC		14	15	16	17	18	19
21	0521062027	186 SPACER		00	02	00	02	00	02
22	0502012376	1-1/2" EXTERNAL AXLE LOCK		00	02	00	02	00	02
23	0602029388	22" X 4,75 NOTCHED DISC BLADE		00	02	00	02	00	02
24	0503010232	5/8" X 1.3/4" BOLT		00	08	00	08	00	08
25	0501010110	1.1/2 NC 6FPP 2.3/8 HEXAGONAL NUT		02	02	02	02	02	02



Item	Code	Description	See page	QT
01	0502010717	HOUSING DM		01
02	0511010829	BEARING GUARD		01
03	0503011334	3/8 UNC X 3/4 CS G.5 ZN BOLT		04
04	0503011443	SPRING WASHER 3/8"		04
05	0503010856	OIL PLUG R 3/8 BSPT		02
06	0502010715	INNER FLANGE		01
07	0502010694	OUTER FLANGE		01
08	0502020424	HOUSING CAP 182/192,225		01
09	0503010134	3/8" X 1" BOLT		04
10	0502010731	SEAL RETAINER		02
11	0503030026	SEAL LP JB-253		02
12	0503010031	368A/362A ROLLER BEARING		02
13	0502040444	AXLE		01
14	0503030013	4.4" X 3.5" X 0.004" JOINT		03
15	0503030684	4.4" X 3.5" X 0.004" JOINT		02



MARCHESAN

Technical Publications | Elaboration and Revision

ALESSANDRA PATRICIA KAWAHARA CARRILI

www.marchesan.com.br

