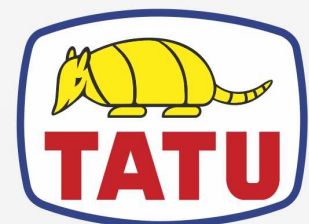


**AUXILIARY PRODUCTS**

**PL**

**Code:** 0501091269  
**Series:** S-0179  
**Revision:** 00  
**Date Revision:** JUNHO/2011

# PARTS CATALOGUE



**MARCHESAN**



# PRODUCTS

Code	Description
0402010001	PL S-0179

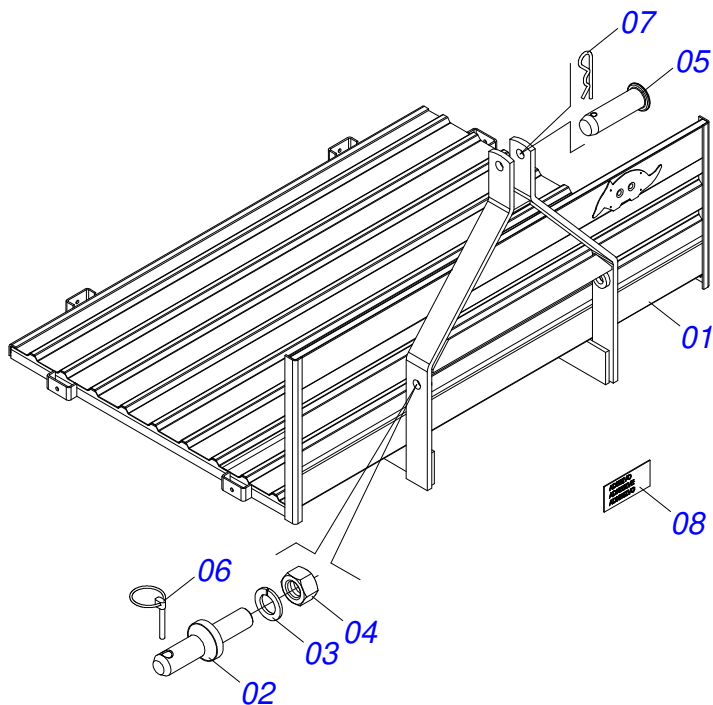
## ATTENTION: IMPORTANT

Marchesan S.A. reserves the right to improve and / or modify the technical features of its products, without obligation to do the same with those products already sold and without prior knowledge of the dealer or the consumer.



# INDEX

0501043402	ASSY FRAME	.....	1
------------	------------	-------	---



Item	Code	Description	See page	QT
01	0501061061	FRAME		01
02	0521010635	2" X 5.7" COUPLING SHAFT		02
03	0503010012	1" SPRING WASHER		02
04	0503010340	1" NUT		02
05	0521010579	COUPLING SHAFT		01
06	0503030430	7/16 X 2" PIN LOCK		02
07	0503031035	HAIR PIN		01
08	0503060912	ADHESIVE LABEL ASSY		01



# ANNOTATION

Lined area for annotation with horizontal lines.





**MARCHESAN**

**Technical Publications | Elaboration and Revision**

JOÃO VIRGINIO ROCHA

[www.marchesan.com.br](http://www.marchesan.com.br)

