

# PARTS CATALOG

## AUXILIARY PRODUCTS

### TRACTOR COVER

Code: 0501091268



Series: S-0107

Rev.: 00

Date Rev.: FEVEREIRO/2007

ORIGINAL PARTS  
TATU



# PRODUCTS

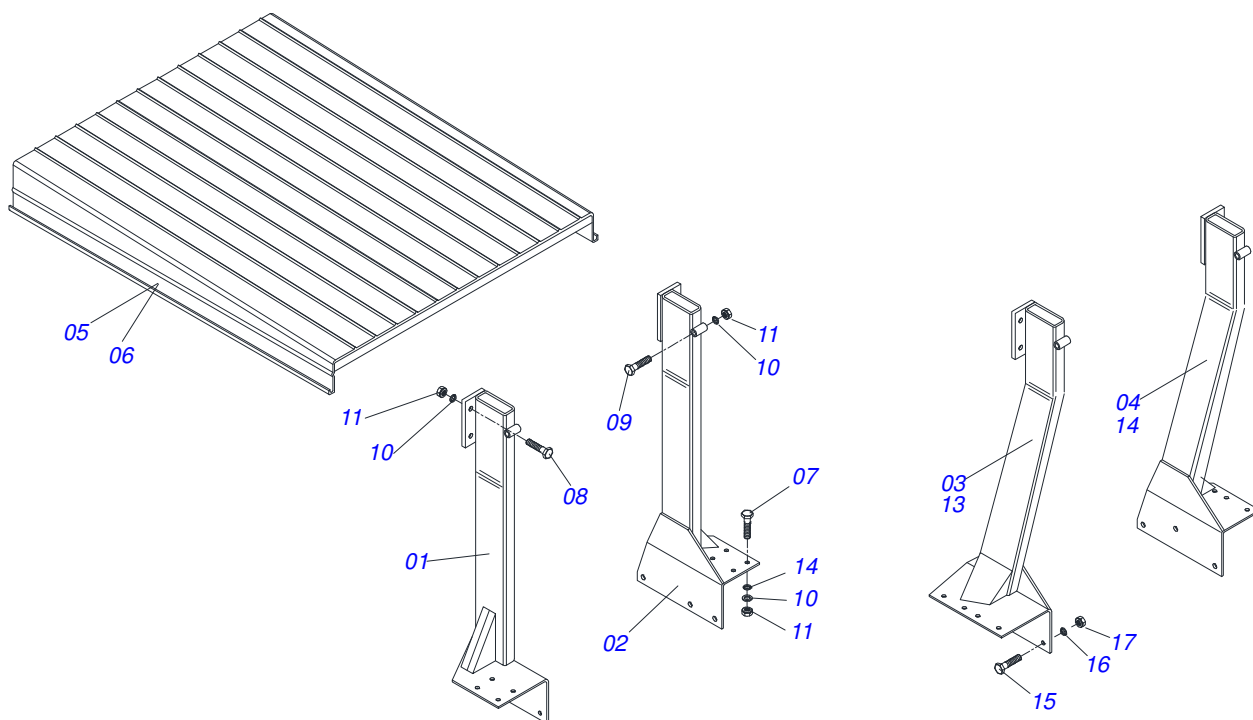
Code	Description
0401010001	CT CBT 2100 A 2400 S-1284
0401010005	CT CBT 8240 / 8440 S-1284
0401040002	CT F 4600A6610-4 MOD NOVO S-1284
0401040001	CT FORD 4600/610/5600/610/6600/610
0401030001	CT MF 235 A 290 S-1284
0401030005	CT MF 235 A 290-4 (NOVA)
0401020008	CT V 110
0401020003	CT V 118 A 148-4 S-1284
0401020002	CT V 65/85/86/68/78/88 C/FIX CHASSI

## ATTENTION: **IMPORTANT**

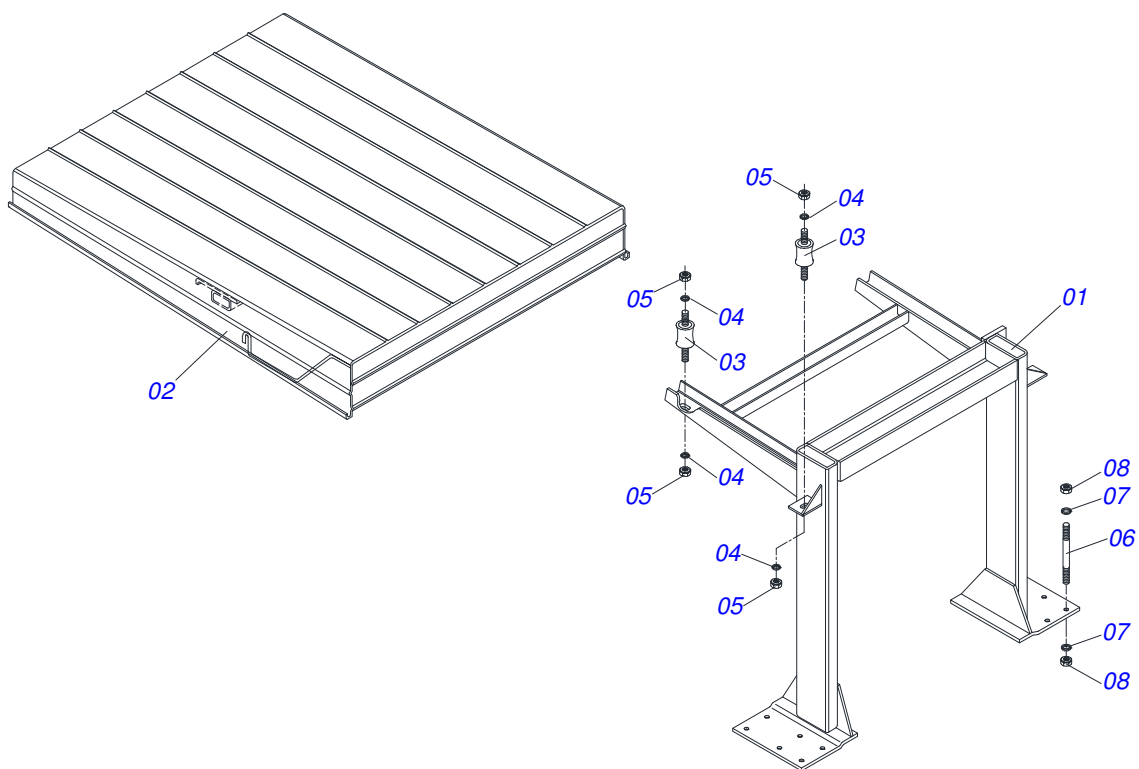
MARCHESAN S/A RESERVES THE RIGHT AT ANY TIME TO MAKE IMPROVEMENTS IN THE DESIGN, MATERIAL OR SPECIFICATIONS OF MACHINERY, EQUIPMENT OR PARTS WITHOUT THEREBY BECOMING LIABLE TO MAKE SIMILAR CHANGES IN MACHINERY, EQUIPMENT OR PARTS PREVIOUSLY SOLD.

# INDEX

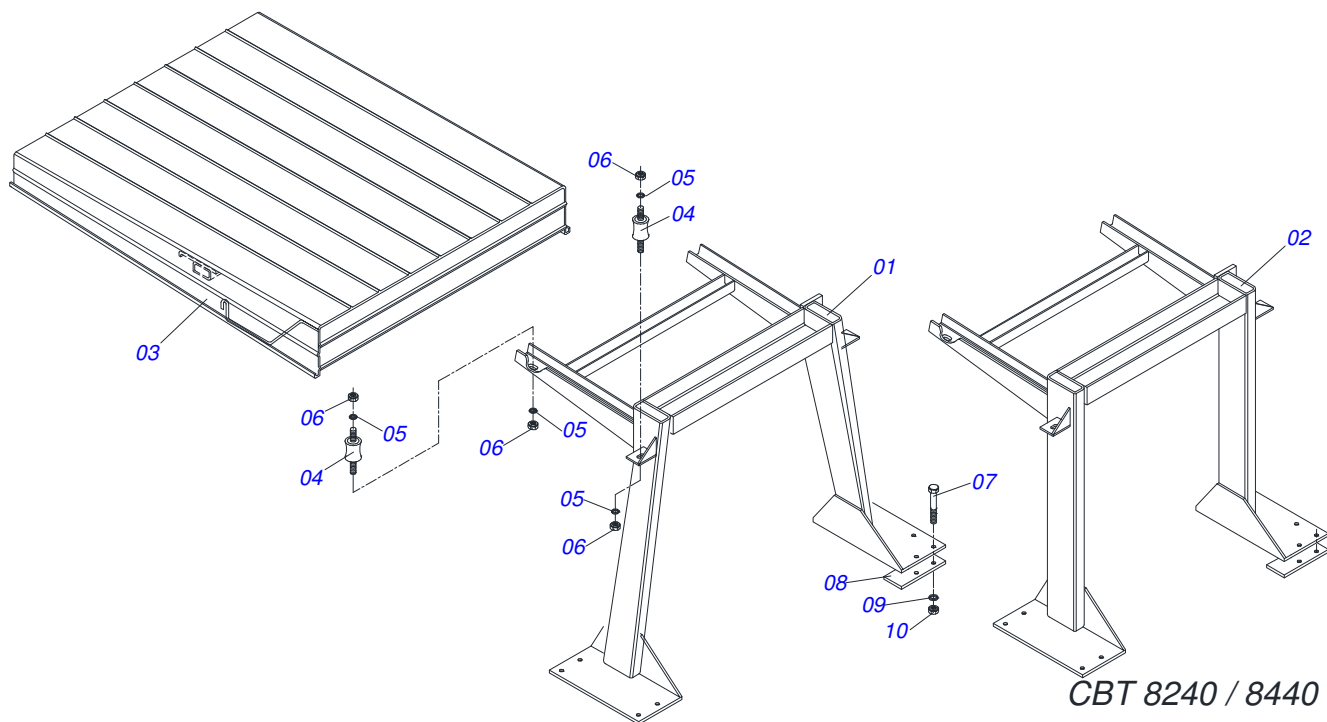
0909090461	CANOPY VALMET	.....	1
0909090462	CANOPY MF	.....	2
0909090463	CANOPY CBT	.....	3
0909090464	CANOPY FORD	.....	4
0909090465	CANOPY URSUS	.....	5



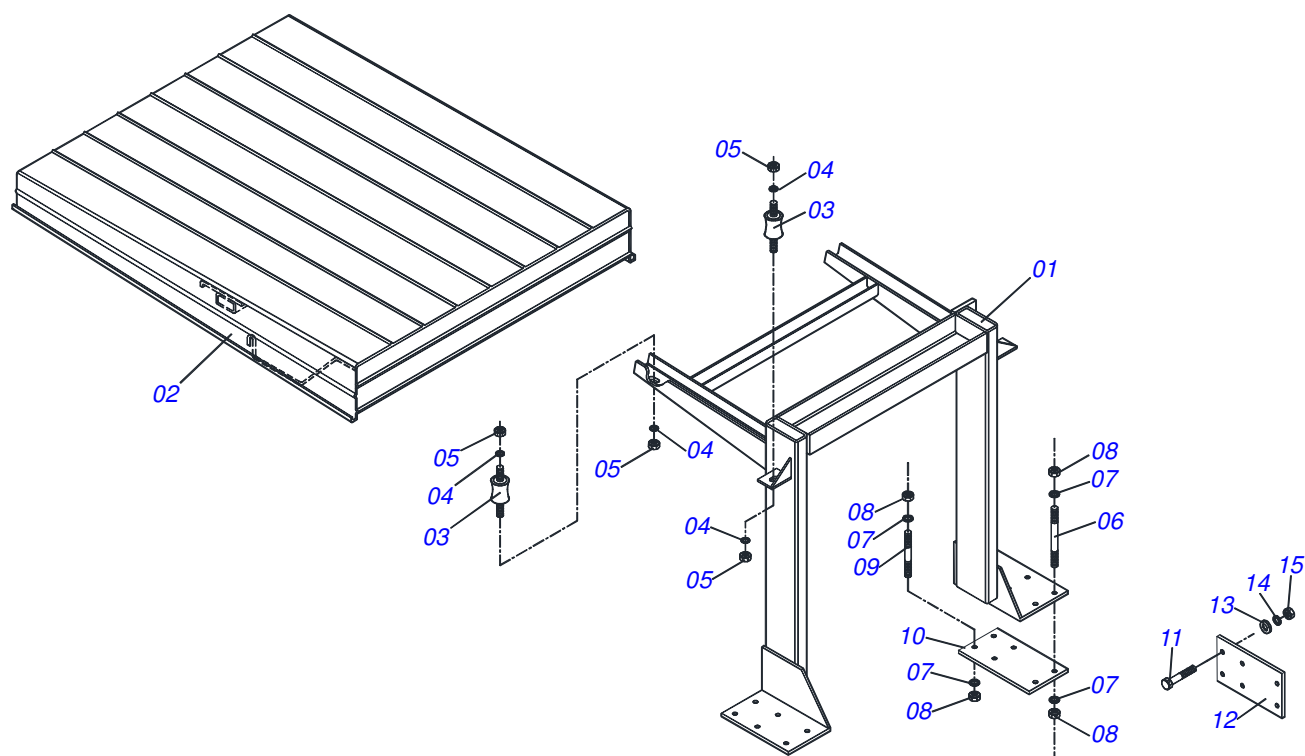
Item	Code	Description	See page	65 A 86	68 A 88	118 A 184	110
01	0501060925	RH PEDESTAL ASSY		00	01	00	00
02	0501060926	LH PEDESTAL ASSY		00	01	00	00
03	0501061004	RH PEDESTAL		00	00	01	00
03.	0521062057	RIGHT PEDESTAL ASSY		00	00	00	01
04	0501061005	LH PEDESTAL		00	00	01	00
04.	0521062056	LEFTH PEDESTAL ASSY		00	00	00	01
05	0501062481	CANOPY		01	00	00	00
06	0501060927	CANOPY		00	01	01	01
07	0503010834	1/2 X 1 BOLT		10	10	10	10
08	0501010063	1/2" X 1-1/2" BOLT		04	04	04	04
09	0503010734	1/2" X 2-1/2" BOLT		02	02	02	02
10	0503010019	1/2" SPRING WASHER		18	18	18	18
11	0503010060	1/2" NUT		18	18	18	18
12	0511017302	FLAT WASHER		12	12	12	12
13	0503010233	5/8" X 2-1/2" BOLT		00	00	00	08
14	0503010027	SPRING WASHER		00	00	00	08
15	0503010013	5/8" NUT		00	00	00	08



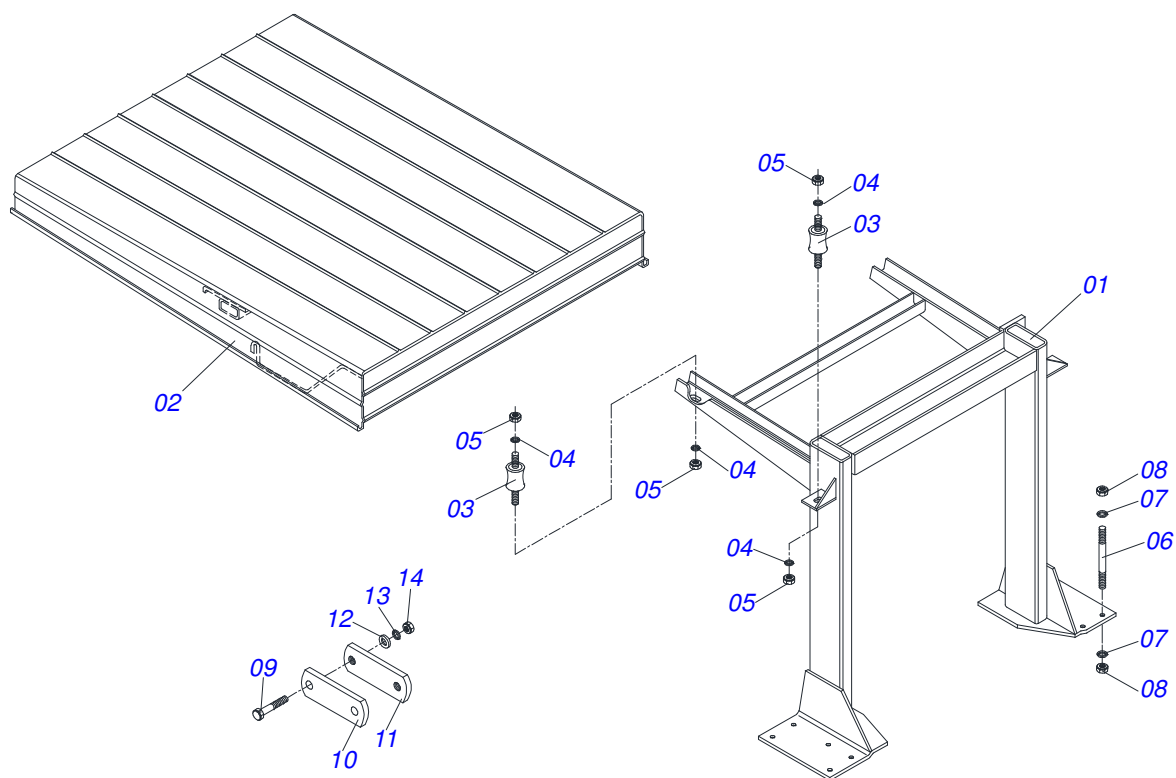
Item	Code	Description	See page	235 A 290-4 NOVA
01	0501063279	GUARD BRACKET		01
01.	0501068891	GUARD BRACKET		01
02	0501062931	CANOPY		01
04	0503050024	SHOCK ABSORBER		04
05	0503010025	3/8 SPRING WASHER		06
06	0503010026	3/8" NUT		06
07	0501013156	5/8" X 5/8" X 13.4" STUD		04
08	0503010027	SPRING WASHER		16
09	0503010013	5/8" NUT		08



Item	Code	Description	See page	QT
01	0501063077	GUARD BRACKET		01
02	0501063058	GUARD BRACKET		01
03	0501062931	CANOPY		01
04	0503050024	SHOCK ABSORBER		04
05	0503010025	3/8 SPRING WASHER		06
06	0503010026	3/8" NUT		06
07	0501010063	1/2" X 1-1/2" BOLT		08
08	0501014635	CHOCK		04
09	0503010019	1/2" SPRING WASHER		08
10	0503010060	1/2" NUT		08



Item	Code	Description	See page	QT
01	0501062926	GUARD BRACKET		01
02	0501062931	CANOPY		01
03	0503050024	SHOCK ABSORBER		04
04	0503010025	3/8 SPRING WASHER		06
05	0503010026	3/8" NUT		06
06	0501017334	5/8"X 5/8" X 10.24" STUD		04
07	0503010027	SPRING WASHER		12
08	0503010013	5/8" NUT		12
09	0501011426	5/8" X 5/8" X 9.45" STUD		04
10	0501011433	LOWER PLATE		02
11	0503010240	5/16" X 3/4" BOLT		12
12	0501012908	FRONT PLATE		02
13	0501010694	FLAT WASHER		12
14	0503010179	SPRING WASHER		12
15	0503010337	5/16" NUT		12



Item	Code	Description	See page	3512	5312
01	0501068424	GUARD BRACKET		01	01
02	0501062931	CANOPY		01	01
03	0503050024	SHOCK ABSORBER		04	04
04	0503010025	3/8 SPRING WASHER		06	06
05	0503010026	3/8" NUT		06	06
06	0501017334	5/8"X 5/8" X 10.24" STUD		00	06
07	0503010027	SPRING WASHER		04	12
08	0503010013	5/8" NUT		00	12
09	0503010363	5/16" X 1" BOLT		02	02
10	0511018938	UPPER FIXER PLATE		01	01
11	0511018939	LOWER FIXER PLATE		01	01
12	0501010694	FLAT WASHER		02	02
13	0503010179	SPRING WASHER		02	02
14	0503010337	5/16" NUT		02	02







**MARCHESAN IMPLEMENTOS E MÁQUINAS AGRÍCOLAS TATU S.A.**

AV. Marchesan, 1979 - Post office box, 131 - CEP 15994-900 - Matão - SP - Brazil

Phone +55 16.3382-8282

(FAX Parts) + 55 16.3382. 8297 - (Export) + 55 16.3382.1003

e.mail: [tatu@marchesan.com.br](mailto:tatu@marchesan.com.br) [www.marchesan.com.br](http://www.marchesan.com.br)

**Technical Publications: Elaboration**

JOÃO VIRGINIO ROCHA

**Technical Publications: Revision**

JOSÉ DOMINGOS GASPARI

*Contact Catálogo:*

*E-mail = [jgaspari@marchesan.com.br](mailto:jgaspari@marchesan.com.br)*

**ORIGINAL PARTS  
TATU**

