

**DOUBLE OFFSET DISK HARROW**

**GTD-QL - 52/56/60/64 D**

**Code:** 0501091265  
**Series:** S-0198  
**Revision:** 00  
**Date Revision:** OUTUBRO/2005

# PARTS CATALOGUE



**MARCHESAN**



# PRODUCTS

Code	Description
0102430541	GTD QL 52 X 26 X 6,00 DM MT RLH C/P - S-0198
0102430519	GTD QL 56X26X6 MT DM E 1.5/8 RLH C/PN FF S-0198
0102430591	GTD QL 56X26X6 MT DM E 1.5/8 RLH PN11L15 FF S-0198
0102430543	GTD QL 64X26X6 DR DM E 1.5/8 RLH FF S-0198
0102430566	GTD QL 64X26X6 DR DM E 1.5/8 RLH PN11L15 FF S-0198
0102430669	GTLD-QL 60 X 26 X 6,00 DM DR RLH S-0198

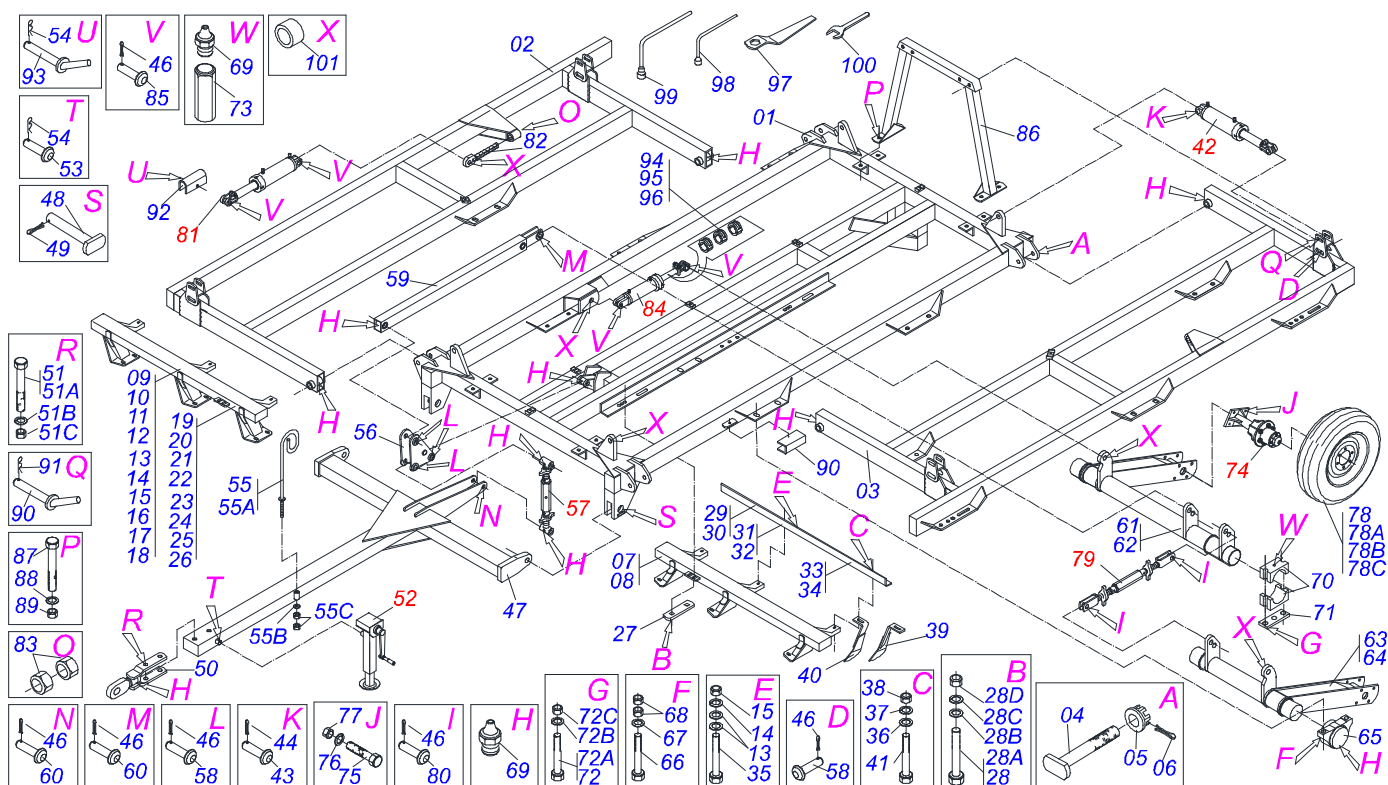
## ATTENTION: IMPORTANT

Marchesan S.A. reserves the right to improve and/or modify the technical features of its products, without obligation to do the same with those products already sold and without prior knowledge of the dealer or the customer. The photos are only illustrative.



# INDEX

0909091367	ASSY FRAME	.....	1
0501047912	HYDRAULIC CYLINDER 50,8 X 101,6 X 870 X 585	.....	2
0909091382	ASSY GANG DISC	.....	3
0909091354	56/64 HYDRAULIC CIRCUIT	.....	4
0503060181	WHEEL AND TIRE	.....	5



Item	Code	Description	See page	52	56	60	64
001	0501068469	FRAME CENTRAL		01	01	01	01
002	0501068033	HR SIDE FRAME GTID		01	01	01	01
003	0501068058	HL SIDE FRAME		01	01	01	01
004	0511010703	PIVOT SHAFT		04	04	04	04
005	0501011301	1.1/2 UNC 6FPP 2.5/16 NUT		04	04	04	04
006	0503010010	1/4" X 2.1/2" COTTERPIN		04	04	04	04
007	0501068389	RIGHT FRONT CENTRIC FRAME		01	01	01	01
008	0501068390	LEFT FRONT CENTRAL FRAME		01	01	01	01
009	0501067458	RIGHT REAR FRAME		01	01	01	01
010	0501067459	LEFT REAR FRAME		01	01	01	01
011	0511065504	LEFT FRONT SIDE FRAME		01	00	00	00
012	0511065505	RIGHT FRONT SIDE FRAME		01	00	00	00
013	0511065506	LEFT SIDE REAR FRAME		01	00	00	00
014	0511065507	RIGHT SIDE REAR FRAME		01	00	00	00
015	0501068391	RIGHT FRONT SIDE FRAME		00	01	00	00
016	0501068392	LEFT FRONT SIDE FRAME		00	01	00	00
017	0501068393	RIGHT SIDE REAR FRAME		00	01	00	00
018	0501068394	RIGHT SIDE REAR FRAME		00	01	00	00
019	0501068395	RIGHT FRONT FRAME		00	00	01	00
020	0501068396	LEFT FRONT SIDE FRAME		00	00	01	00
021	0501068397	RIGHT SIDE REAR FRAME		00	00	01	00
022	0501068398	LEFT SIDE REAR FRAME		00	00	01	00
023	0501068399	RIGHT FRONT SIDE FRAME		00	00	00	01
024	0501068400	LEFT FRONT SIDE FRAME		00	00	00	01
025	0501068401	RIGHT SIDE REAR FRAME		00	00	00	01
026	0501068402	LEFT SIDE REAR FRAME		00	00	00	01
027	0511013056	FIXING BASE FRAME		16	16	16	16
028	0511042229	1" X 6" BOLT		32	32	32	32
028A	0503013113	1" X 6" BOLT		32	32	32	32
028B	0501010065	1" SPRING WASHER		32	32	32	32
028C	0503010012	1" SPRING WASHER		32	32	32	32



## ASSY FRAME

0909091367

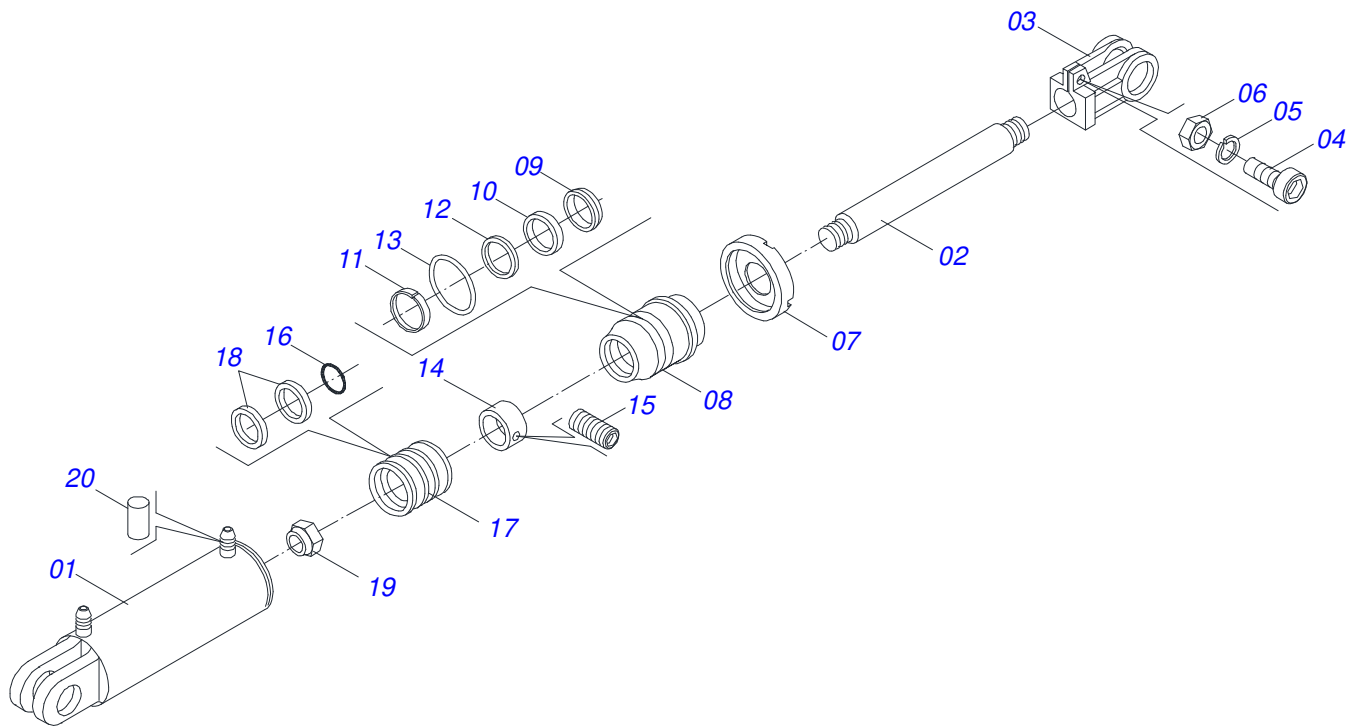
Item	Code	Description	See page	52	56	60	64
028D	0501010059	1.5/8 NUT		32	32	32	32
029	0511012604	1250 BAR FIX SCRAPER		04	02	02	02
030	0511012596	1480 FIX BAR SCRAPER		02	04	04	04
031	0511012599	1940 BAR FIX SCRAPER		02	02	00	02
032	0511013545	2400 BAR FIXER SCRAPER		00	00	02	00
033	0511012595	1710 BAR FIX SCRAPER		00	02	00	00
034	0511012597	2170 BAR FIX SCRAPER		00	00	02	00
035	0503010740	BOLT 1/2 UNC X 2 CS G.5 ZN		16	16	18	20
036	0511017302	FLAT WASHER 13,50 X 32,50 X 3,0 ZN		108	116	124	132
037	0503010019	1/2" SPRING WASHER		54	58	62	66
038	0503010060	1/2 UNC G.5 ZN HEX NUT		54	58	62	66
039	0501067394	LH FRONT/RH REAR SCRAPER		27	29	31	33
040	0501067395	LH FRONT/RH REAR SCRAPER		27	29	31	33
041	0503011082	C1/2" X 1.3/4" SCREW		38	42	44	48
042	0501047912	HYDRAULIC CYLINDER 50,8 X 101,6 X 870 X 585	2	04	04	04	04
043	0521010910	COUPLING SHAFT		04	04	04	04
044	0503010571	1/4" X 1.1/2 COTTERPIN		04	04	04	04
045	0501019719	1.1/4" X 155MM COUPLING SHAFT		07	07	07	07
046	0503010523	1/4" X 2" SPLIT PIN		19	19	19	19
047	0501066067	DRAWBAR		01	01	01	01
048	0521010620	1.5" X 4.6" COUPLING SHAFT		02	02	02	02
049	0503010534	3/8 X 2-1/2 COTTERPIN		02	02	02	02
050	0501065901	TRACTOR HITCH		02	02	02	02
051	0501041894	1" X 7" ASSY BOLT		02	02	02	02
051A	0501010334	1" X 7" BOLT		02	02	02	02
051B	0503011438	SPRING WASHER		02	02	02	02
051C	0501010059	1.5/8 NUT		02	02	02	02
052	0511041259	DRAWBAR JACK ASSY		01	01	01	01
053	0521010549	COUPLING SHAFT		01	01	01	01
054	0503030168	HITCH PIN CLIP		03	03	03	03
055	0501043004	3/4" X 26" HOSE HOLDER		01	01	01	01
055A	0501017992	3/4" X 648 HOSE HOLDER		01	01	01	01
055B	0503011442	3/4" SPRING WASHER		01	01	01	01
055C	0503010014	3/4" HEX NUT		02	02	02	02
056	0501065531	ROCKER ARM		01	01	01	01
057	0501044204	ESTABILIZER ASSY		01	01	01	01
058	0521010546	1.2" X 5.7" COUPLING SHAFT		07	07	07	07
059	0501067527	STABILIZER BAR		01	01	01	01
060	0521010780	1.2" X 4.5" COUPLING SHAFT		01	01	01	01
061	0501069059	RH CARRYING-WHEELS SUPPORT		01	01	01	01
062	0501069060	LH CARRYING-WHEELS SUPPORT		01	01	01	01
063	0501069116	RW SIDE CARRYING-WHEEL FIXATION SUP		01	01	01	01
064	0501069117	LW SIDE CARRYING-WHEEL FIXATION SUP		01	01	01	01
065	0502010972	ARTICULACION BEARING		07	07	07	07
066	0503011432	BOLT		14	14	14	14
067	0501010065	1" SPRING WASHER		14	14	14	14
068	0501010059	1.5/8 NUT		28	28	28	28
069	0503010002	1800 GREASE FITTING		11	11	11	11
070	0502010673	BEARING SEMI		02	02	02	02
071	0501015593	SUPPORT PLATE		01	01	01	01
072	0501042309	1" X 9" AR ASSY BOLT		02	02	02	02
072A	0501010064	1" X 9" BOLT		02	02	02	02
072B	0503010012	1" SPRING WASHER		02	02	02	02
072C	0501010059	1.5/8 NUT		02	02	02	02
073	0503030534	EXTENSION GREASE FITTING		02	02	02	02
074	0501051631	STUB SHAFT & HUB ASSY		06	06	06	06
075	0503010899	5/8 UNC X 2.1/4 BOLT		24	24	24	24
076	0503010027	5/8 SPRING WASHER		24	24	24	24
077	0503010013	5/8 NUT		24	24	24	24



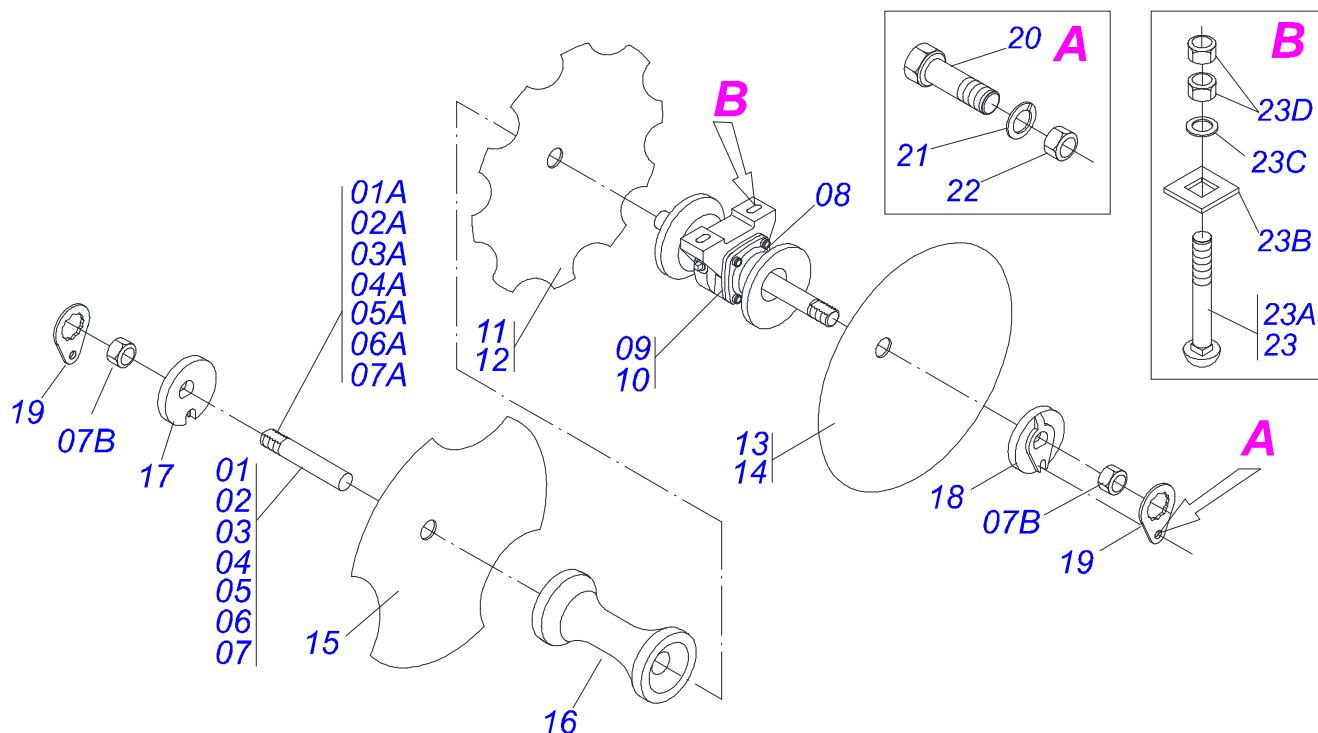
## ASSY FRAME

0909091367

Item	Code	Description	See page	52	56	60	64
078	0503060091	L29.5"X0.63"-10L WHEEL AND		06	06	06	06
079	0501045162	ASSEMBLY CARRYING WHEELS ESTABILIZER		01	01	01	01
080	0521010778	1.25" X 3.15" COUPLING SHAFT		02	02	02	02
081	0501049338	HYDRAULIC CYLINDER 44,45 X 85,72 X 515 X 203		02	02	02	02
082	0501063989	HYDRAULIC CYLINDER REGULATOR		02	02	02	02
083	0501010110	1.1/2" NUT		04	04	04	04
084	0511043786	HYDRAULIC CYLINDER 53,98 X 101,6 X 515 X 203 BP		02	02	02	02
085	0521012538	1.2" X 3.5" COUPLING SHAFT		08	08	08	08
086	0501066242	BEATER CENTRAL		02	02	02	02
087	0501010098	3/4" UNC BOLT		08	08	08	08
088	0503010023	3/4" SPRING WASHER		08	08	08	08
089	0503010014	3/4" HEX NUT		08	08	08	08
090	0501069081	19,05 X 150 LOCK PIN		04	04	04	04
091	0503030012	HITCH PIN CLIP		04	04	04	04
092	0511010839	TRANSPORT LOCK 7.9" X 2.1" X 0.4"		02	02	02	02
093	0501068994	8,30 X 78 LOCK PIN		02	02	02	02
094	0501043620	0.98" ROD STOP FOR 2" CYLINDER		02	02	02	02
095	0501043694	1.18" ROD STOP FOR 2" CYLINDER		02	02	02	02
096	0501043695	1.6" ROD STOP FOR 2" CYLINDER		02	02	02	02
097	0501011431	1-3/4" GANG BOLT WRENCH		02	02	02	02
098	0501061609	3/4" WRENCH CABLE CYLINDRICAL		01	01	01	01
099	0501068273	5/8" WRENCH		01	01	01	01
100	0511010153	2-5/16" FIXED WRENCH		01	01	01	01
101	0511019921	1.3" X 0.1" X 1" SLEEVE		12	12	12	12



Item	Code	Description	See page	QT
01	0501067324	4" X 24" CYLINDER CASE		01
02	0511017801	2"X 29.33" TURNBUCLE		01
03	0502040747	32.54 CLEVIS CLAMP		01
04	0503011094	3/8" X 2" BOLT		01
05	0503010025	3/8 SPRING WASHER		01
06	0503010026	3/8" NUT		01
07	0502010017	4" LID		01
08	0502010523	2" X 4" RING SUPPORT		01
09	0503010039	D-2000 SCRAPER RING		01
10	0503010991	1870-2000-375-B GASKET		01
11	0503010952	W2-2250-500 RING		01
12	0503011061	8-342 BACK-UP RING		01
13	0503010338	2-342 N 3006-9B O'RING		01
14	0511018114	51 X 3 X 25 BUSHING		01
15	0503011148	3/8" X 1/2" BOLT		01
16	0503010345	2-218 N 3006-9B O'RING		01
17	0502010682	2"X4" PISTON		01
18	0503010043	PACKING 3750-3250		02
19	0503010044	1-1/4" SELF LOCKING NUT		01
20	0503030385	CYLINDER PLUG N-002		02
21	0501031248	HYDRAULIC CYLINDER REPAIR KIT		01

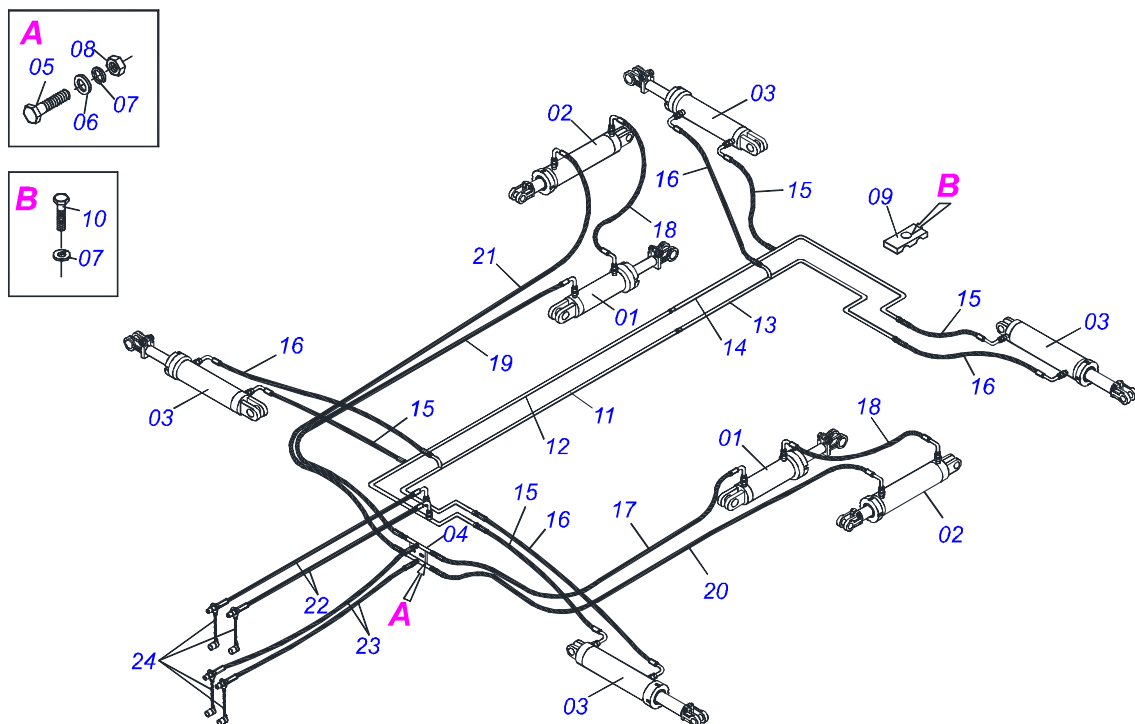


Item	Code	Description	See page	52	56	60	64
01	0501046855	1-5/8" X 52" AXLE WITH NUTS 2-3/4"		04	02	02	02
01A	0501015237	1-5/8" X 52" AXLE		04	02	02	02
02	0501046857	1-5/8" X 61" AXLE WITH NUTS 2-3/4"		02	04	02	02
02A	0501015632	1-5/8" X 61" AXLE		02	04	02	02
03	0501046858	1-5/8" X 68.11" AXLE		02	00	00	00
03A	0501019021	1-5/8" X 68.11" AXLE		02	00	00	00
04	0501046860	1-5/8" X 79" AXLE WITH NUTS 2-3/4"		00	02	00	02
04A	0501015329	1-5/8 X 79" AXLE		00	02	00	02
05	0501046859	1-5/8" X 70" AXLE WITH NUTS 2-3/4"		00	00	02	00
05A	0501015631	1-5/8" X 70" AXLE		00	00	02	00
06	0501044427	1-5/8" AXLE ASSY		00	00	02	00
06A	0511013059	1-5/8" X 2235 AXLE		00	00	02	00
07	0501044429	1-5/8" X 2465 AXLE		00	00	02	00
07A	0511013535	1.5/8" X 2465 5AXLE		00	00	02	00
07B	0502040640	1.5/8" 2.3/4" NUT		08	08	08	08
08	0501048321	225MM X 1.5/8" RD. OIL BATH BEARING		16	00	00	00
09	0501043197	8.86" X 1-5/8" OIL BATH BEARING		00	08	09	10
10	0501043198	8.86" X 1-5/8" OIL BATH BEARING		00	08	09	10
11	0602033232	DR26X6 C89AF02FR1.11/16 10REC TATU		24	26	28	60
12	0602030369	24" X 0.2" NOTCHED DISC BLADE		02	02	02	02
13	0601033215	26"X 0.2" PLAIN DISC BLADE		24	26	28	00
14	0601031076	26"X 0.2" PLAIN DISC BLADE		02	02	02	00
15	0602029301	22" X 0.2" NOTCHED DISC BLADE		02	02	02	02
16	0502010626	8.9" 1-5/8" SPACER		30	34	36	38
17	0502011047	1-5/8" INNER AXLE WASHER		08	08	08	08
18	0502011048	1-5/8" EXTERNAL AXLE WASHER		08	08	08	08
19	0511014339	1-5/8" 2.8" NUT LOCK		16	16	16	16
20	0503011267	5/8 UNC X 1.1/2 C S G.5 ZN BOLT		16	16	16	16
21	0503010027	5/8 SPRING WASHER		16	16	16	16
22	0503010013	5/8 NUT		16	16	16	16
23	0511040468	3/4" X 4" BOLT ASSY		32	32	36	40

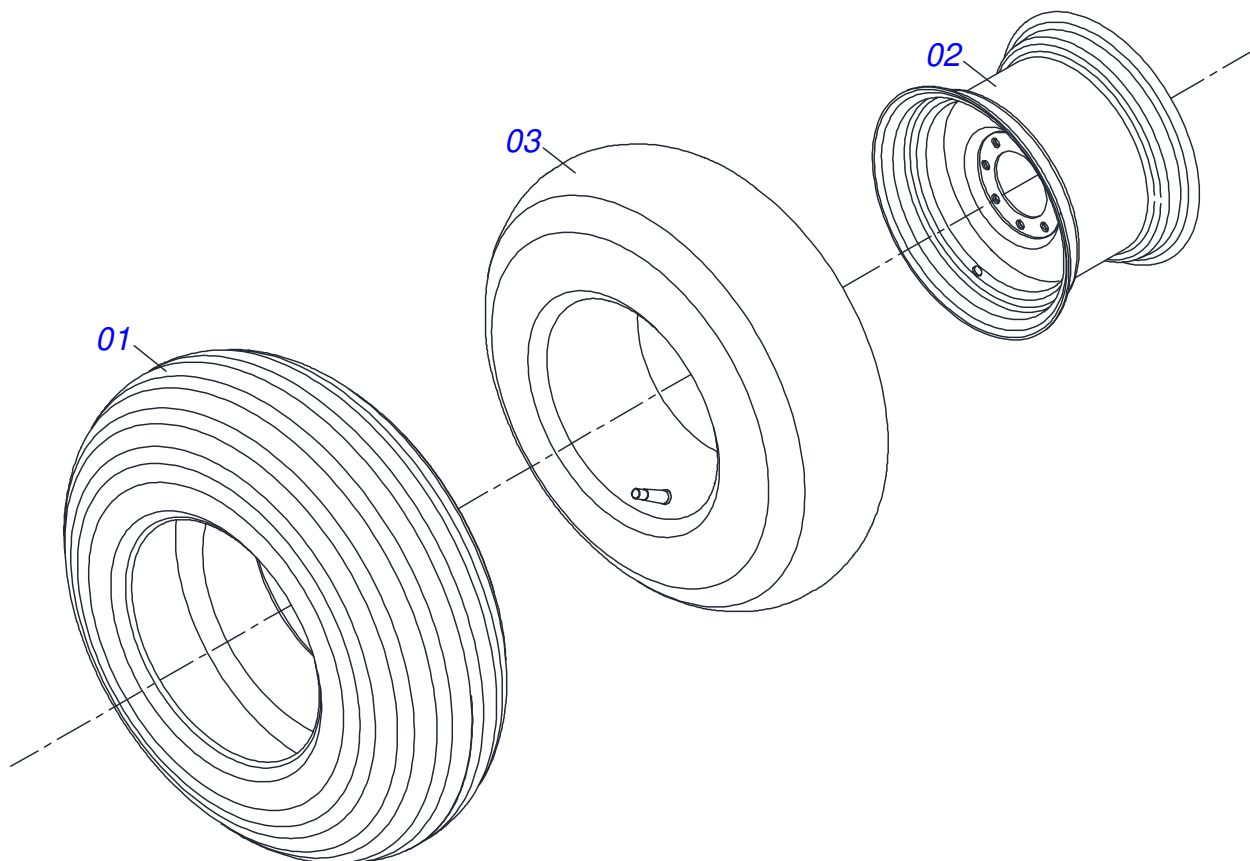




Item	Code	Description	See page	52	56	60	64
23A	0501010162	3/4" X 4" BOLT		32	32	36	40
23B	0501010949	3/4" SQUARE WASHER		32	32	36	40
23C	0501010322	FLAT WASHER		32	32	36	40
23D	0503010014	3/4" HEX NUT		64	64	72	80



Item	Code	Description	See page	56	60	64
01	0511043786	HYDRAULIC CYLINDER 53,98 X 101,6 X 515 X 203 BP		02	02	02
02	0501049338	HYDRAULIC CYLINDER 44,45 X 85,72 X 515 X 203		02	02	02
03	0501047912	HYDRAULIC CYLINDER 50,8 X 101,6 X 870 X 585	2	04	04	04
04	0501068706	DOUBLE CONNECTION		01	01	01
05	0501010080	3/8" BOLT		02	02	02
06	0511017302	FLAT WASHER 13,50 X 32,50 X 3,0 ZN		02	02	02
07	0503010025	3/8 SPRING WASHER		12	12	12
08	0503010026	3/8" NUT		02	02	02
09	0502010477	HOSE CLAMP		10	10	10
10	0503010851	7/16" X 3.1/2" BOLT		10	10	10
11	0501066264	INNER FRONT OIL TUBE		01	01	01
12	0501066265	OUTER FRONT OIL TUBE		01	01	01
13	0501066266	INNER REAR OIL TUBE		01	01	01
14	0501066267	OUTER REAR OIL TUBE		01	01	01
15	0501080328	3/8" X 29" TR-TC HOSE		04	04	04
16	0501080436	3/8" X 62" TR-TC HOSE		04	04	04
17	0501080461	3/8" X 70" TR-TC HOSE		01	01	01
18	0501080393	3/8" X 86" TC-TC HOSE		02	02	02
19	0501080469	3/8" X 98.42" TR-TR HOSE ASSY		01	01	01
20	0501080435	3/8" X 141" TR-TC HOSE		01	01	01
21	0501080724	3/8" X 4700 TR-TC HOSE ASSY		01	01	01
22	0501080422	HOSE 3/8 X 4000 TC-TM		02	02	02
23	0501080361	3/8" X 157" TR-TM HOSE		02	02	02
24	0501053834	MALE QUICK COUPLER		04	04	04



Item	Code	Description	See page	QT
01	0503010858	CANVAS TIRE		01
02	0503011468	WEEL		01
03	0503010860	AIR CHAMBER 11L 15		01





**MARCHESAN**

***Technical Publications | Elaboration and Revision***

ALESSANDRA PATRICIA KAWAHARA CARRILI

[www.marchesan.com.br](http://www.marchesan.com.br)

