

DOUBLE OFFSET DISK HARROW

GTLD RIGID - 28/32/36/44/48D
GTLD RIGIDO - 28/32/36/44/48D

Code: 0501091264
Series: S-0195
Revision: 00
Revision Date: JUNE/2018

PARTS CATALOGUE



MARCHESAN



PRODUCTS

Code	Working Width	Description
0102430492		GTLD 28 X 26 X 6,00 DM MT S-0195
0102430455		GTLD 32 X 26 X 6,00 DM MT S-0195
0102430544		GTLD 36 X 26 X 6,00 DM DR S-0195
0102430456		GTLD 36 X 26 X 6,00 DM MT S-0195
0102430563		GTLD-R 44 X 24 X 6,00 DM MT S-0195
0102430493		GTLD-R 44 X 26 X 6,00 DM MT S-0195
0102430494		GTLD-R 48 X 26 X 6,00 DM MT S-0195

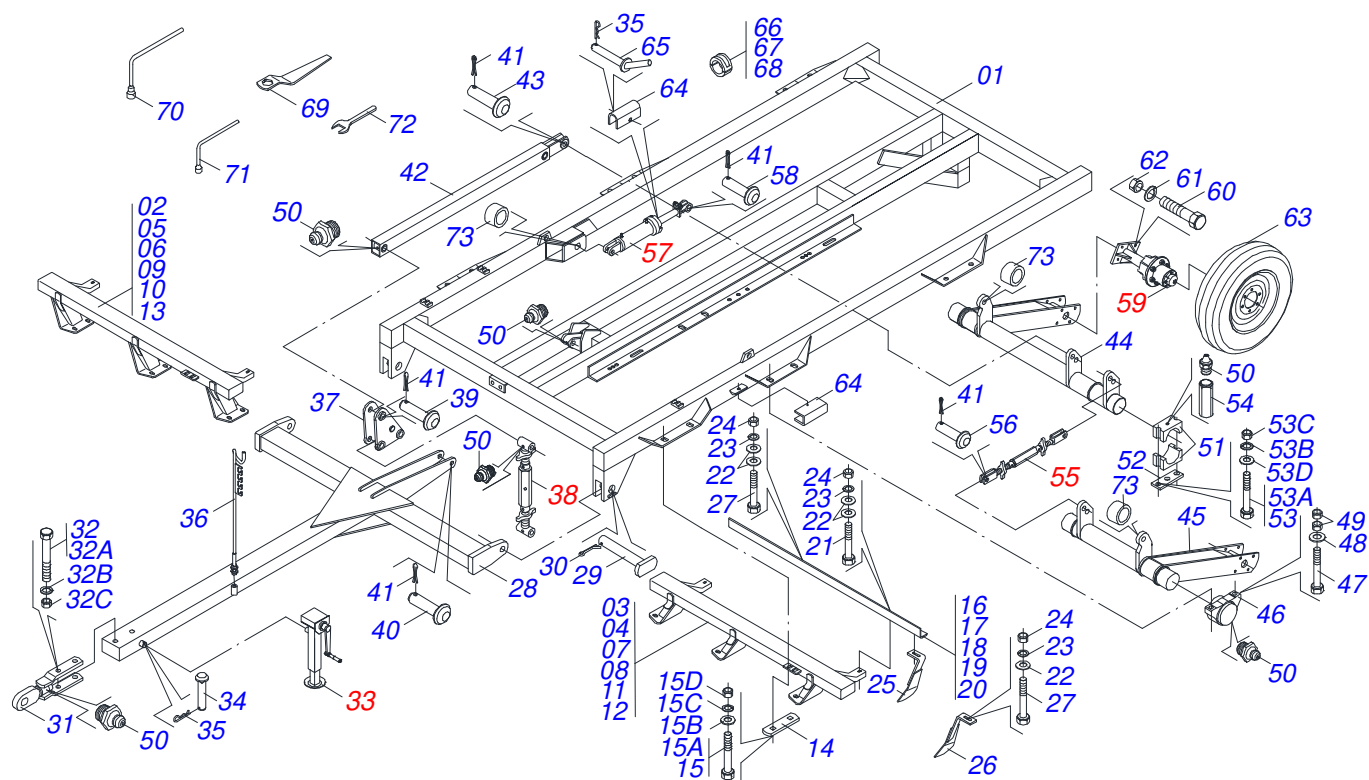
ATTENTION: IMPORTANT

Marchesan S.A. reserves the right to improve and/or modify the technical features of its products, without obligation to do the same with those products already sold and without prior knowledge of the dealer or the customer. The photos are only illustrative.



INDEX

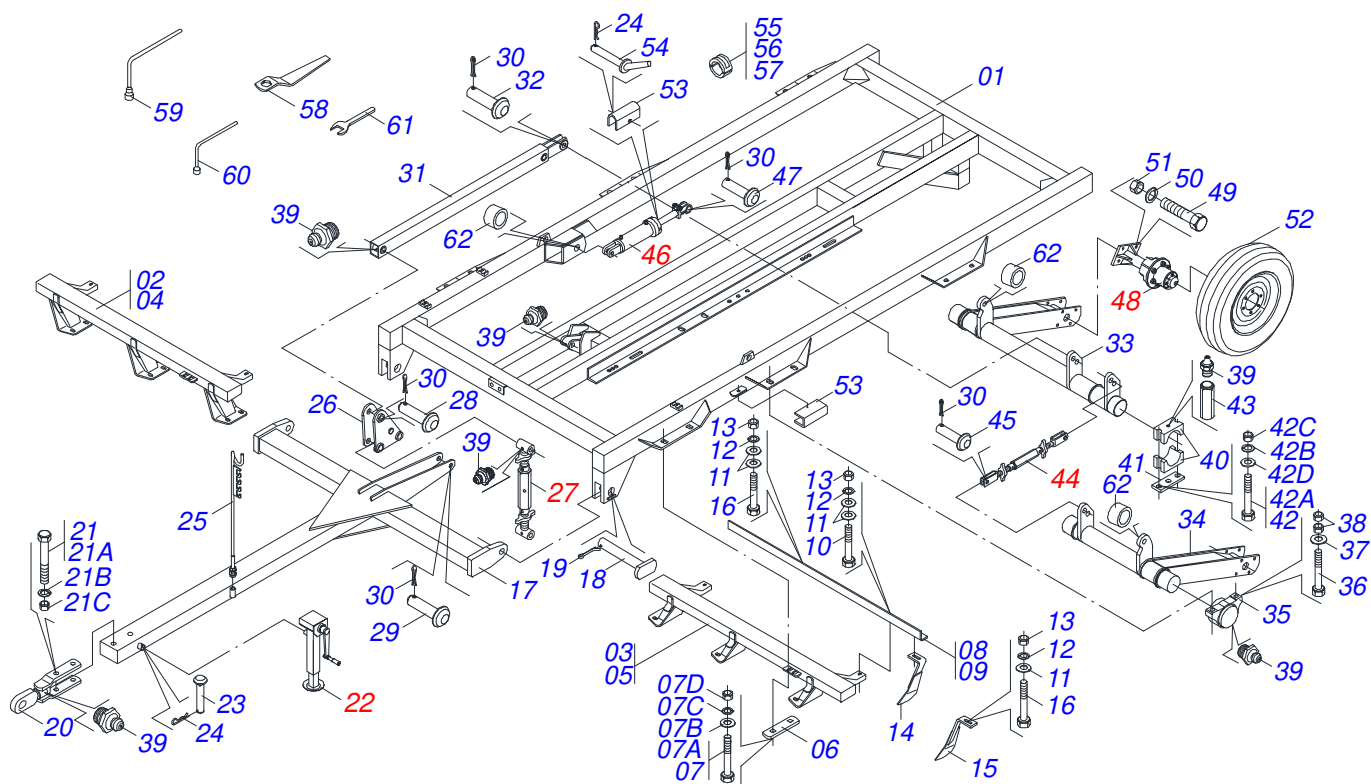
0909094142	GTLD - 28/32/48D	1
0909094141	GTLD - 44D	2
0909091384	GTLD - 48D	3
0501040257	3/4" X 38" HOSE SUPPORT ASSY	4
0501044204	ESTABILIZER ASSY	5
0501051631	STUB SHAFT & HUB ASSY	6
0511059180	HYDRAULIC CYLINDER 50,80 X 101,60 X 515 X 203	7
0909094143	HYDRAULIC CILINDER - 28/32/36/44/48D	8
0909094159	FRONT GANG DISC - 28/32/36D	9
0909094160	REAR GANG DISC - 28/32/36D	10
0909094162	FRONT GANG DISC - 44D	11
0909094161	REAR GANG DISC - 44D	12
0909094164	FRONT GANG DISC - 48D	13
0909094163	REAR GANG DISC - 48D	14
0909094165	FRONT CENTER DISC SECTION - 48D	15
0909094166	REAR CENTRAL DISC SECTION - 48D	16
0501044315	9" X 1-1/2" OIL BATH BEARING	17



Item	Code	Description	See page	28	32	36
01	0501067529	FRAME GTLD		01	01	01
02	0501067858	RIGHT FRONT FRAME		01	00	00
03	0501067859	LEFT FRONT FRAME		01	00	00
04	0501067860	RIGHT REAR FRAME		01	00	00
05	0501067861	LEFT REAR FRAME		01	00	00
06	0501068611	RIGHT FRONT FRAME GTLD 32		00	01	00
07	0501068612	LEFT FRONT FRAME GTLD 32		00	01	00
08	0501067398	RIGHT REAR FRAME		00	01	00
09	0501067399	LEFT REAR FRAME		00	01	00
10	0501068613	RIGHT FRONT FRAME		00	00	01
11	0501068614	LEFT FRONT FRAME		00	00	01
12	0501067402	RIGHT REAR FRAME		00	00	01
13	0501067403	LEFT REAR FRAME		00	00	01
14	0511013056	FIXING BASE FRAME		08	08	08
15	0511042229	1" X 6" BOLT		16	16	16
15A	0503013113	1" X 6" BOLT		16	16	16
15B	0501010065	1" SPRING WASHER		16	16	16
15C	0503010012	1" SPRING WASHER		16	16	16
15D	0501010059	1.5/8 NUT		16	16	16
16	0511012596	1480 FIX BAR SCRAPER		02	00	00
17	0511012595	1710 BAR FIX SCRAPER		02	02	00
18	0511012599	1940 BAR FIX SCRAPER		00	02	02
19	0511012597	2170 BAR FIX SCRAPER		00	02	02
20	0511013545	2400 BAR FIXER SCRAPER		00	00	02
21	0503010740	BOLT 1/2 UNC X 2 CS G.5 ZN		08	08	12
22	0511017302	FLAT WASHER 13,50 X 32,50 X 3,0 ZN		60	68	76
23	0503010019	1/2" SPRING WASHER		30	34	38
24	0503010060	1/2 UNC G.5 ZN HEX NUT		30	34	38
25	0501067394	FRONT RIGHT/REAR LEFT WIPER		15	17	19
26	0501067395	FRONT LEFT/REAR RIGHT WIPER		15	17	19
27	0503011082	C1/2" X 1.3/4" SCREW		22	26	26
28	0501066067	DRAWBAR		01	01	01



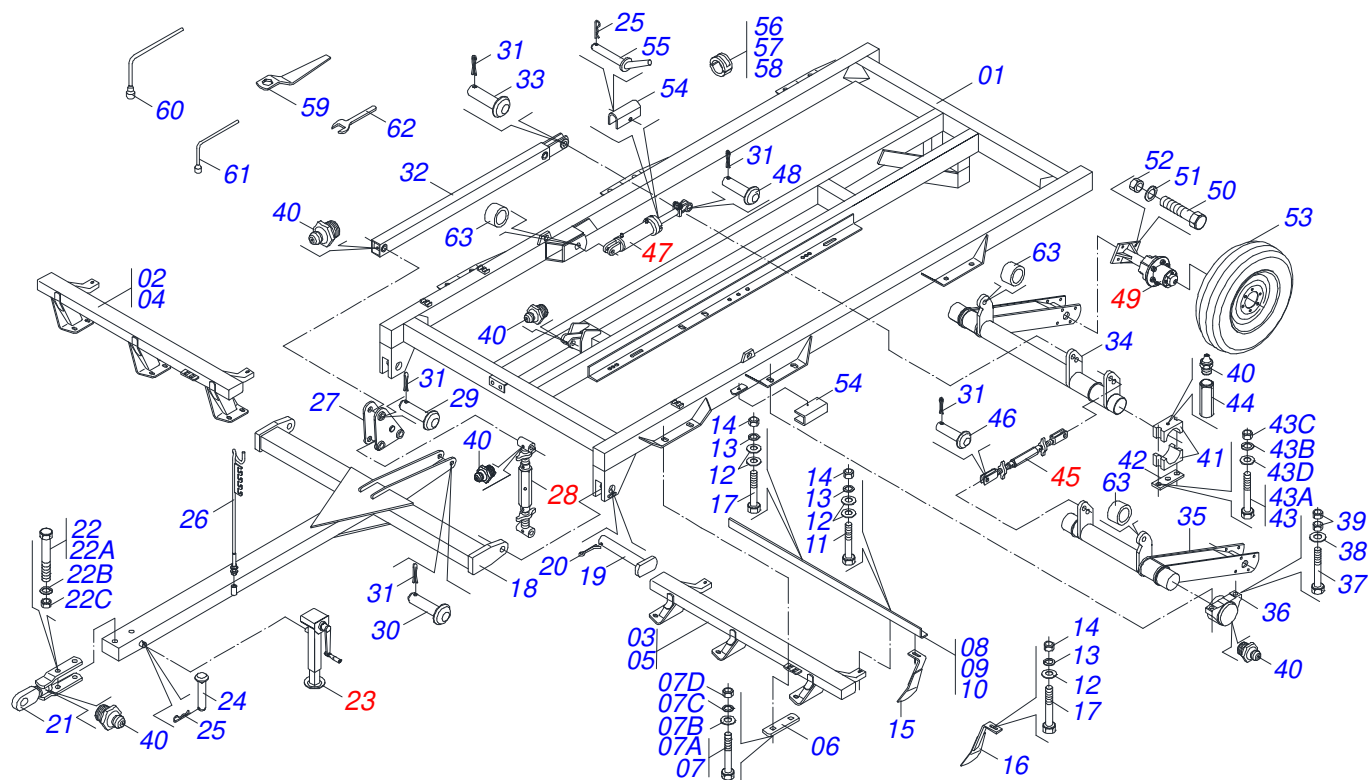
Item	Code	Description	See page	28	32	36
29	0521010620	1.5" X 4.6" COUPLING SHAFT		02	02	02
30	0503010534	3/8" X 2.1/2" SPLIT PIN		02	02	02
31	0501065566	TRACTOR HITCH		01	01	01
32	0501041894	1" X 7" ASSY BOLT		02	02	02
32A	0501010334	1" X 7" BOLT		02	02	02
32B	0503011438	SPRING WASHER		02	02	02
32C	0501010059	1.5/8 NUT		02	02	02
33	0503062157	DRAWBAR JACK		01	01	01
34	0521010549	COUPLING SHAFT		01	01	01
35	0503030168	HITCH PIN CLIP		03	03	03
36	0501040257	3/4" X 38" HOSE SUPPORT ASSY	4	01	01	01
37	0501065531	ROCKER ARM		01	01	01
38	0501044204	ESTABILIZER ASSY	5	01	01	01
39	0501019719	1.1/4" X 155MM COUPLING SHAFT		03	03	03
40	0521010546	1.2" X 5.7" COUPLING SHAFT		01	01	01
41	0503010523	1/4" X 2" SPLIT PIN		11	11	11
42	0501067527	STABILIZER BAR		01	01	01
43	0521010780	1.2" X 4.5" COUPLING SHAFT		01	01	01
44	0501069059	RIGHT WHEEL SUPPORT		01	01	01
45	0501069060	LEFT WHEEL SUPPORT		01	01	01
46	0502010972	ARTICULATION BEARING		03	03	03
47	0503011432	BOLT		06	06	06
48	0501010065	1" SPRING WASHER		06	06	06
49	0501010059	1.5/8 NUT		12	12	12
50	0503010002	1800 GREASE FITTING		07	07	07
51	0502010673	BEARING SEMI		02	02	02
52	0501015593	SUPPORT PLATE		01	01	01
53	0501042309	1" X 9" AR ASSY BOLT		02	02	02
53A	0501010064	BOLT 1" UNC X 9 CS G.5 ZN		02	02	02
53B	0503010012	1" SPRING WASHER		02	02	02
53C	0501010059	1.5/8 NUT		02	02	02
53D	0501010065	1" SPRING WASHER		02	02	02
54	0501019757	EXTENSION GREASE FITTING		02	02	02
55	0501045162	ASSEMBLY CARRYING WHEELS ESTABILIZER		01	01	01
56	0521010778	1.25" X 3.15" COUPLING SHAFT		02	02	02
57	0511059180	HYDRAULIC CYLINDER 50,80 X 101,60 X 515 X 203	7	02	02	02
58	0521012538	1.2" X 3.5" COUPLING SHAFT		04	04	04
59	0501051631	STUB SHAFT & HUB ASSY	6	04	04	04
60	0503010899	5/8 UNC X 2.1/4 BOLT		16	16	16
61	0503010027	5/8 SPRING WASHER		16	16	16
62	0503010013	5/8 UNC G.5 ZN HEX NUT		16	16	16
63	0503060091	L 29.5" X 0.63"-10L WHEEL AND TIRE ASSY		04	04	04
64	0511010839	TRANSPORT LOCK 7.9" X 2.1" X 0.4"		02	02	02
65	0501068994	8,30 X 78 LOCK PIN		02	02	02
66	0501047895	25 ROD STOP		02	02	02
67	0501047885	30 ROD STOP		02	02	02
68	0501047887	40 ROD STOP		02	02	02
69	0501011432	1-1/2" AND 1-5/8 GANG BOLT WRENCH		02	02	02
70	0501061045	1" WRENCH CYLINDRICAL		01	01	01
71	0501068273	5/8" WRENCH		01	01	01
72	0511010153	2-5/16" FIXED WRENCH		01	01	01
73	0511019921	1.3" X 0.1" X 1" SLEEVE		11	11	11



Item	Code	Description	See page	QT
01	0501068604	FRAME GTLD 40/GTLD-R 44		01
02	0501067416	RIGHT FRONT FRAME		01
03	0501067417	LEFT FRONT FRAME		01
04	0501067418	RIGHT REAR FRAME		01
05	0501067419	LEFT REAR FRAME		01
06	0511013056	FIXING BASE FRAME		08
07	0511042229	1" X 6" BOLT		16
07A	0503013113	1" X 6" BOLT		16
07B	0501010065	1" SPRING WASHER		16
07C	0503010012	1" SPRING WASHER		16
07D	0501010059	1.5/8 NUT		16
08	0511012594	1020 BAR FIX SCRAPER		02
09	0511012604	1250 BAR FIX SCRAPER		06
10	0503010740	BOLT 1/2 UNC X 2 CS G.5 ZN		16
11	0511017302	FLAT WASHER 13,50 X 32,50 X 3,0 ZN		92
12	0503010019	1/2" SPRING WASHER		46
13	0503010060	1/2 UNC G.5 ZN HEX NUT		46
14	0501067394	FRONT RIGHT/REAR LEFT WIPER		23
15	0501067395	FRONT LEFT/REAR RIGHT WIPER		23
16	0503011082	C1/2" X 1.3/4" SCREW		30
17	0501066067	DRAWBAR		01
18	0521010620	1.5" X 4.6" COUPLING SHAFT		02
19	0503010534	3/8" X 2.1/2" SPLIT PIN		02
20	0501065566	TRACTOR HITCH		01
21	0501041894	1" X 7" ASSY BOLT		02
21A	0501010334	1" X 7" BOLT		02
21B	0503011438	SPRING WASHER		02
21C	0501010059	1.5/8 NUT		02
22	0503062157	DRAWBAR JACK		01
23	0521010549	COUPLING SHAFT		01
24	0503030168	HITCH PIN CLIP		03
25	0501040257	3/4" X 38" HOSE SUPPORT ASSY	4	01



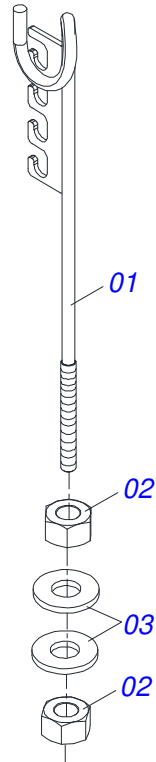
Item	Code	Description	See page	QT
26	0501065531	ROCKER ARM		01
27	0501044204	ESTABILIZER ASSY	5	01
28	0501019719	1.1/4" X 155MM COUPLING SHAFT		03
29	0521010546	1.2" X 5.7" COUPLING SHAFT		01
30	0503010523	1/4" X 2" SPLIT PIN		11
31	0501067527	STABILIZER BAR		01
32	0521010780	1.2" X 4.5" COUPLING SHAFT		01
33	0501069059	RIGHT WHEEL SUPPORT		01
34	0501069060	LEFT WHEEL SUPPORT		01
35	0502010972	ARTICULATION BEARING		03
36	0503011432	BOLT		06
37	0501010065	1" SPRING WASHER		06
38	0501010059	1.5/8 NUT		12
39	0503010002	1800 GREASE FITTING		07
40	0502010673	BEARING SEMI		02
41	0501015593	SUPPORT PLATE		01
42	0501042309	1" X 9" AR ASSY BOLT		02
42A	0501010064	BOLT 1" UNC X 9 CS G.5 ZN		02
42B	0503010012	1" SPRING WASHER		02
42C	0501010059	1.5/8 NUT		02
42D	0501010065	1" SPRING WASHER		02
43	0501019757	EXTENSION GREASE FITTING		02
44	0501045162	ASSEMBLY CARRYING WHEELS ESTABILIZER		01
45	0521010778	1.25" X 3.15" COUPLING SHAFT		02
46	0511059180	HYDRAULIC CYLINDER 50,80 X 101,60 X 515 X 203	7	02
47	0521012538	1.2" X 3.5" COUPLING SHAFT		04
48	0501051631	STUB SHAFT & HUB ASSY	6	04
49	0503010899	5/8 UNC X 2.1/4 BOLT		16
50	0503010027	5/8 SPRING WASHER		16
51	0503010013	5/8 UNC G.5 ZN HEX NUT		16
52	0503060091	L 29.5" X 0.63"-10L WHEEL AND TIRE ASSY		04
53	0511010839	TRANSPORT LOCK 7.9" X 2.1" X 0.4"		02
54	0501068994	8,30 X 78 LOCK PIN		02
55	0501047895	25 ROD STOP		02
56	0501047885	30 ROD STOP		02
57	0501047887	40 ROD STOP		02
58	0501011432	1-1/2" AND 1-5/8 GANG BOLT WRENCH		02
59	0501061045	1" WRENCH CYLINDRICAL		01
60	0501068273	5/8" WRENCH		01
61	0511010153	2-5/16" FIXED WRENCH		01
62	0511019921	1.3" X 0.1" X 1" SLEEVE		11



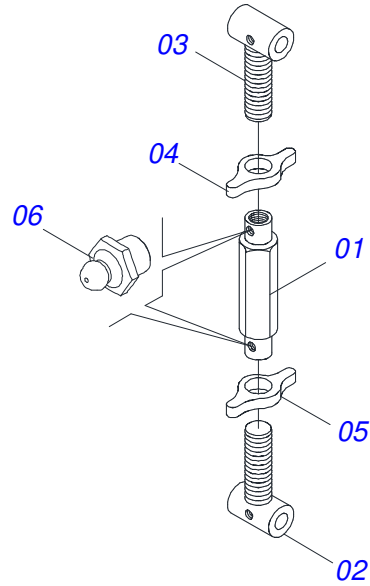
Item	Code	Description	See page	48
01	0501067530	FRAME GTLD-R 48/GTLD 52		01
02	0501067424	RIGHT FRONT FRAME		01
03	0501067425	LEFT FRONT FRAME		01
04	0501067426	RIGHT REAR FRAME		01
05	0501067427	LEFT REAR FRAME		01
06	0511013056	FIXING BASE FRAME		08
07	0511042229	1" X 6" BOLT		16
07A	0503013113	1" X 6" BOLT		16
07B	0501010065	1" SPRING WASHER		16
07C	0503010012	1" SPRING WASHER		16
07D	0501010059	1.5/8 NUT		16
08	0511012594	1020 BAR FIX SCRAPER		02
09	0511012604	1250 BAR FIX SCRAPER		02
10	0511012596	1480 FIX BAR SCRAPER		04
11	0503010740	BOLT 1/2 UNC X 2 CS G.5 ZN		16
12	0511017302	FLAT WASHER 13,50 X 32,50 X 3,0 ZN		92
13	0503010019	1/2" SPRING WASHER		46
14	0503010060	1/2 UNC G.5 ZN HEX NUT		46
15	0501067394	FRONT RIGHT/REAR LEFT WIPER		23
16	0501067395	FRONT LEFT/REAR RIGHT WIPER		23
17	0503011082	C1/2" X 1.3/4" SCREW		30
18	0501066067	DRAWBAR		01
19	0521010620	1.5" X 4.6" COUPLING SHAFT		02
20	0503010534	3/8" X 2.1/2" SPLIT PIN		02
21	0501065566	TRACTOR HITCH		01
22	0501041894	1" X 7" ASSY BOLT		02
22A	0501010334	1" X 7" BOLT		02
22B	0503011438	SPRING WASHER		02
22C	0501010059	1.5/8 NUT		02
23	0503062157	DRAWBAR JACK		01
24	0521010549	COUPLING SHAFT		01
25	0503030168	HITCH PIN CLIP		03



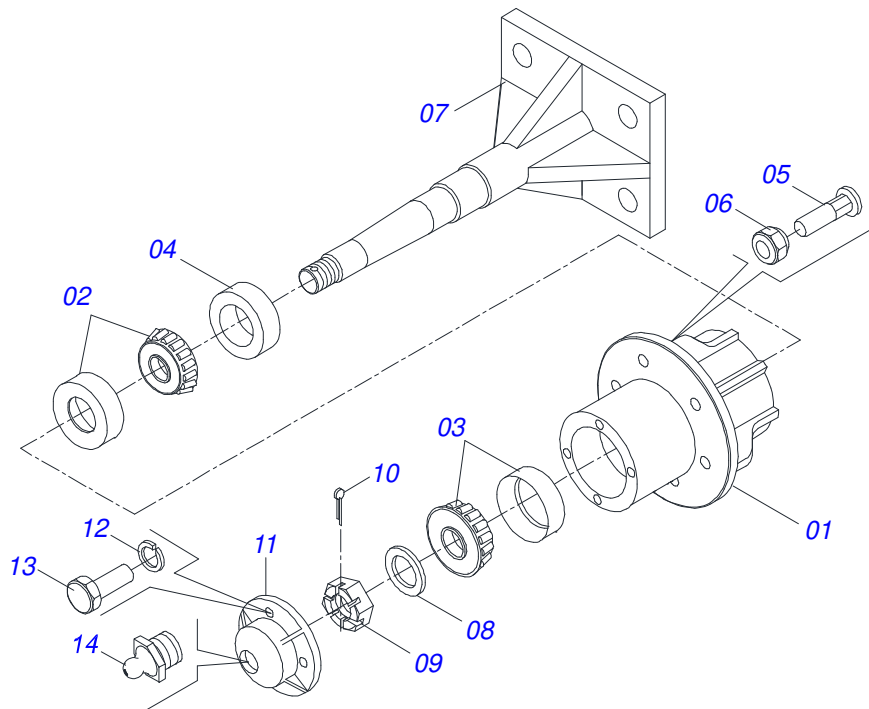
Item	Code	Description	See page	48
26	0501040257	3/4" X 38" HOSE SUPPORT ASSY	4	01
27	0501065531	ROCKER ARM		01
28	0501044204	ESTABILIZER ASSY	5	01
29	0501019719	1.1/4" X 155MM COUPLING SHAFT		03
30	0521010546	1.2" X 5.7" COUPLING SHAFT		01
31	0503010523	1/4" X 2" SPLIT PIN		11
32	0501067527	STABILIZER BAR		01
33	0521010780	1.2" X 4.5" COUPLING SHAFT		01
34	0501069059	RIGHT WHEEL SUPPORT		01
35	0501069060	LEFT WHEEL SUPPORT		01
36	0502010972	ARTICULATION BEARING		03
37	0503011432	BOLT		06
38	0501010065	1" SPRING WASHER		06
39	0501010059	1.5/8 NUT		12
40	0503010002	1800 GREASE FITTING		07
41	0502010673	BEARING SEMI		02
42	0501015593	SUPPORT PLATE		01
43	0501042309	1" X 9" AR ASSY BOLT		02
43A	0501010064	BOLT 1" UNC X 9 CS G.5 ZN		02
43B	0503010012	1" SPRING WASHER		02
43C	0501010059	1.5/8 NUT		02
43D	0501010065	1" SPRING WASHER		02
44	0501019757	EXTENSION GREASE FITTING		02
45	0501045162	ASSEMBLY CARRYING WHEELS ESTABILIZER		01
46	0521010778	1.25" X 3.15" COUPLING SHAFT		02
47	0511059180	HYDRAULIC CYLINDER 50,80 X 101,60 X 515 X 203	7	02
48	0521012538	1.2" X 3.5" COUPLING SHAFT		04
49	0501051631	STUB SHAFT & HUB ASSY	6	04
50	0503010899	5/8 UNC X 2.1/4 BOLT		16
51	0503010027	5/8 SPRING WASHER		16
52	0503010013	5/8 UNC G.5 ZN HEX NUT		16
53	0503060091	L 29.5" X 0.63"-10L WHEEL AND TIRE ASSY		04
54	0511010839	TRANSPORT LOCK 7.9" X 2.1" X 0.4"		02
55	0501068994	8,30 X 78 LOCK PIN		02
56	0501047895	25 ROD STOP		02
57	0501047885	30 ROD STOP		02
58	0501047887	40 ROD STOP		02
59	0501011432	1-1/2" AND 1-5/8 GANG BOLT WRENCH		02
60	0501061045	1" WRENCH CYLINDRICAL		01
61	0501068273	5/8" WRENCH		01
62	0511010153	2-5/16" FIXED WRENCH		01
63	0511019921	1.3" X 0.1" X 1" SLEEVE		11



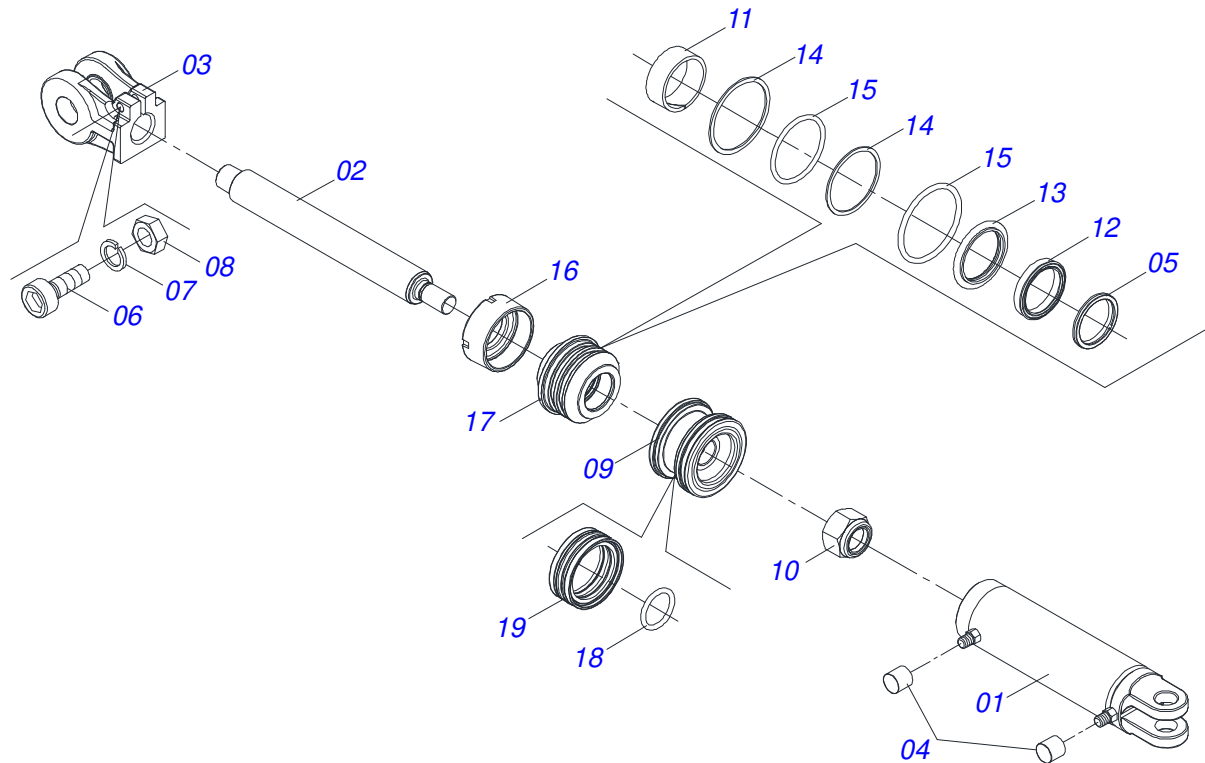
Item	Code	Description	See page	QT
01	0511067334	HOSE SUPPORT		01
02	0503010014	3/4" ZN G.5 (HEAVY) UNC HEX NUT		02
03	0501010322	20,50 X 46 X 4,00 ZN FLAT WASHER		02



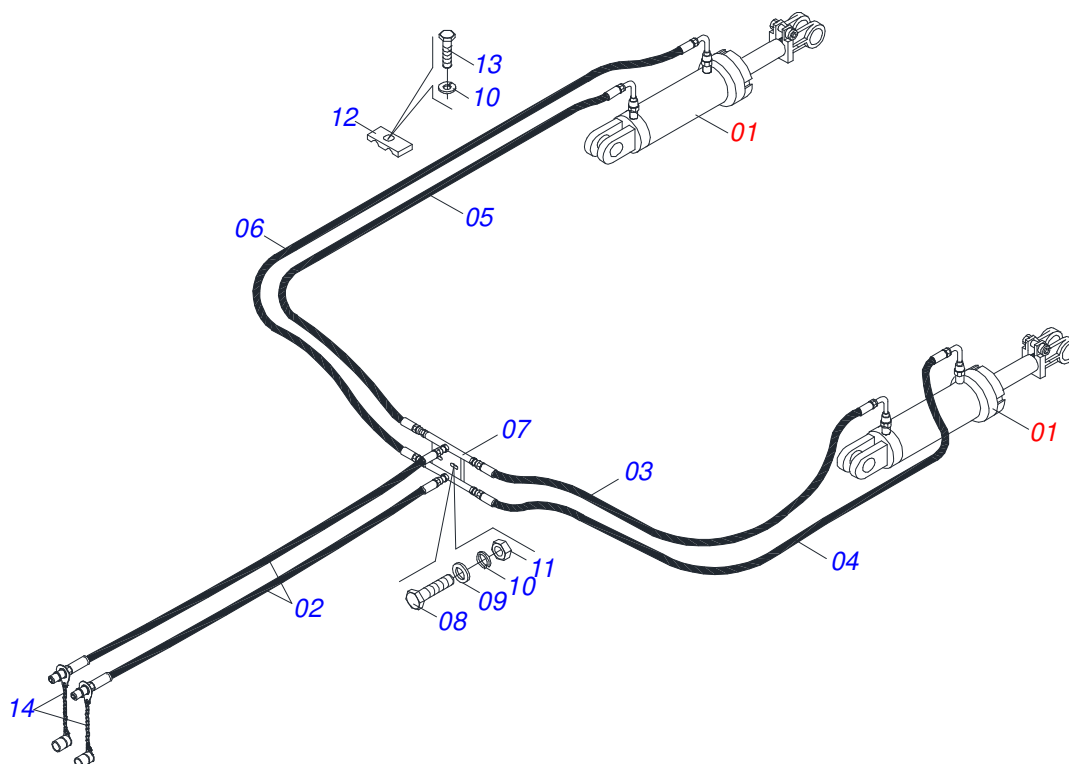
Item	Code	Description	See page
01	0502011195	ADJUSTMENT NUT BODY	01
02	0501064002	LEFT JACK CRANK	01
03	0501064001	RIGHT JACK CRANK	01
04	0541018672	COUNTERNUT	01
05	0541018673	COUNTERNUT	01
06	0503010002	1800 GREASE FITTING	02



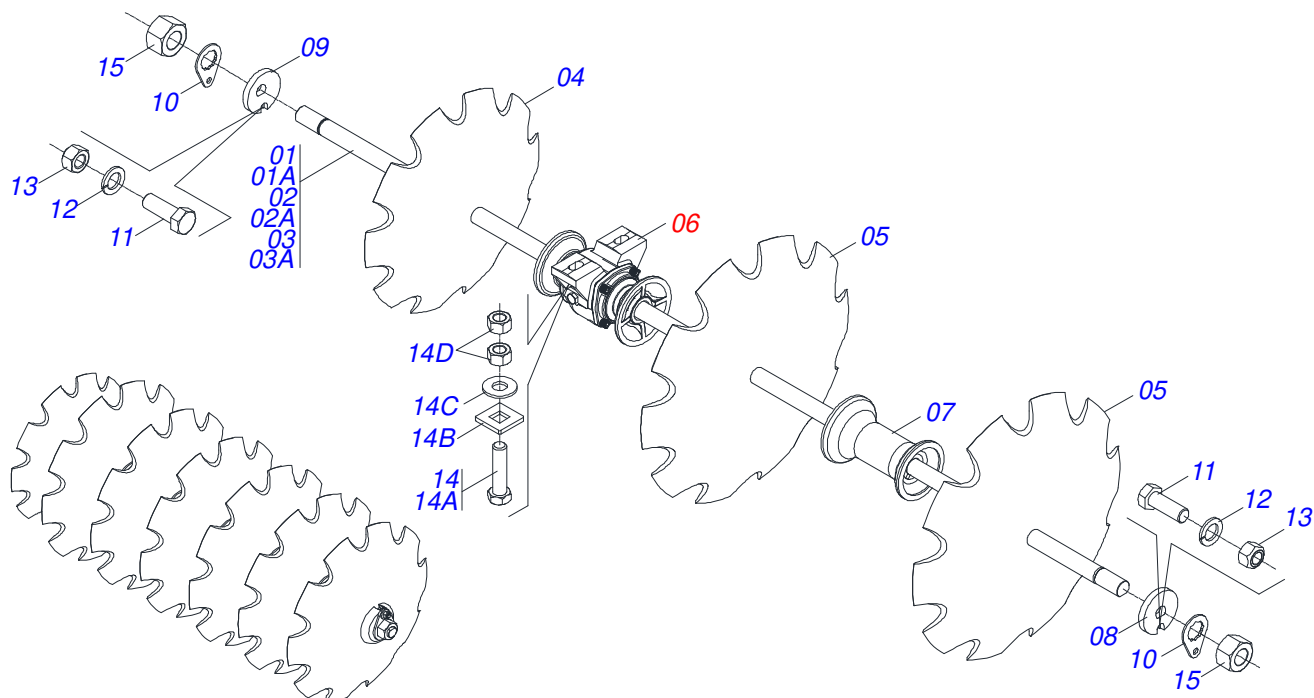
Item	Code	Description	See page	QT
01	0502011121	CARRYING WHEEL HUB		01
02	0503010006	32210 ROLLER BEARING		01
03	0503010037	30207 ROLLER BEARING		01
04	0503012928	SEAL		01
05	0501010127	9/16" X 1-7/8" LUG BOLT		06
06	0503010035	9/16" CONIC NUT		06
07	0501069087	WHEEL FIXING SUPPORT		01
08	0501016545	FLAT WASHER		01
09	0503030009	1" CASTLE NUT		01
10	0503010018	5/32" X 1-1/2" SPLIT PIN		01
11	0502020591	PROTECCION COVER		01
12	0503011444	SPRING WASHER 5/16"		04
13	0503010358	5/16" X 5/8" BOLT		04
14	0503010002	1800 GREASE FITTING		01



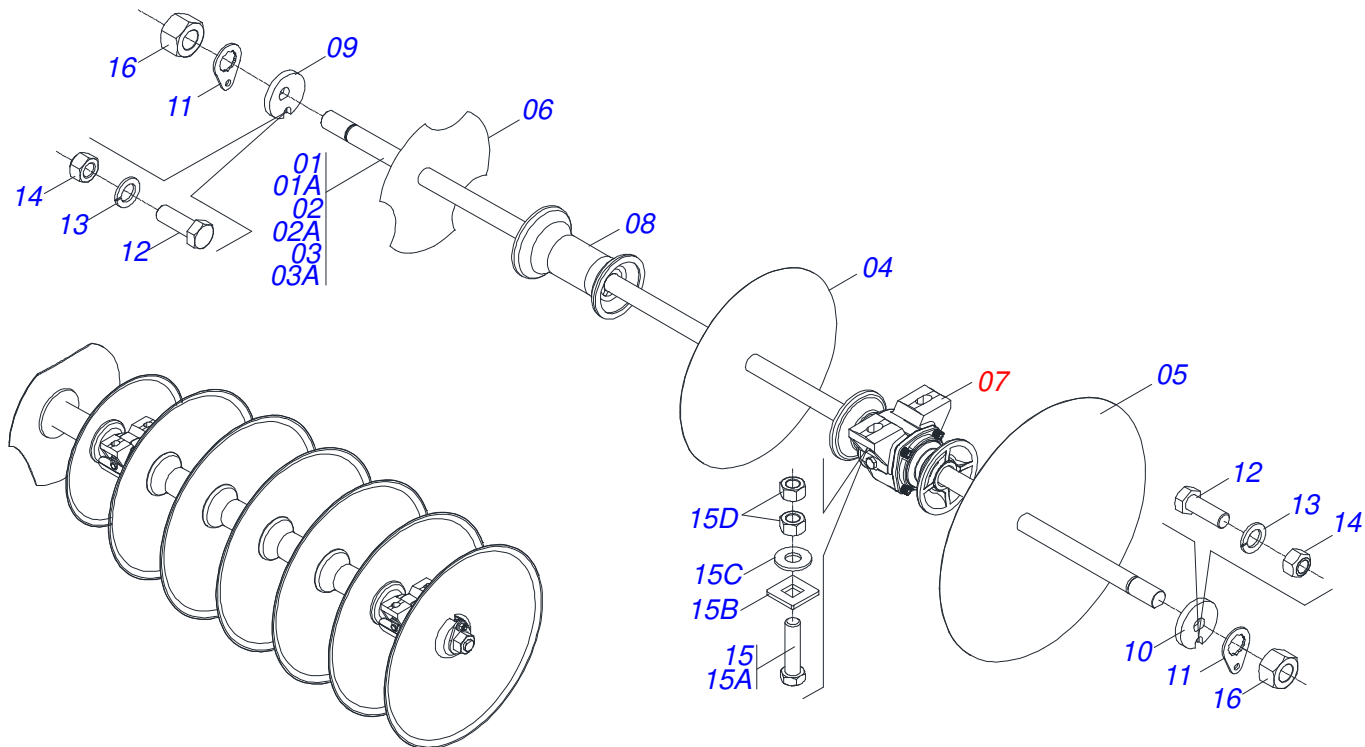
Item	Code	Description	See page	QT
01	0511070658	CYLINDER CASE		01
02	0571019958	HYDRAULIC CYLINDER TURNBUCKLE		01
03	0502040747	32.54 CLEVIS CLAMP		01
04	0503030385	CYLINDER PLUG N-002		02
05	0503010039	D-2000 SCRAPER RING		01
06	0503011094	BOLT 3/8" UNC X 2" C C S I 12.9		01
07	0503011443	SPRING WASHER 3/8"		01
08	0503010026	3/8" NUT		01
09	0502012820	2" X 4" PISTON		01
10	0503010817	SELF LOCKING NUT 1.1/4 UNF ALTA G.5 ZN		01
11	0503018025	RING GUIDE W2-2250-750		01
12	0503018026	GASKET 1870-2000-375 B POLYMAX		01
13	0503018024	RING BS OD050805200171D-BR		01
14	0503010338	2-342 N 3006-9B O-RING		02
15	0503011061	8-342 BACK-UP RING		02
16	0502012822	END CAP 4"		01
17	0502012821	2" X 4" RING SUPPORT		01
18	0503018029	O-RING 2-217 N 3006 90B		01
19	0503015633	SELEMASTER SEALING		01



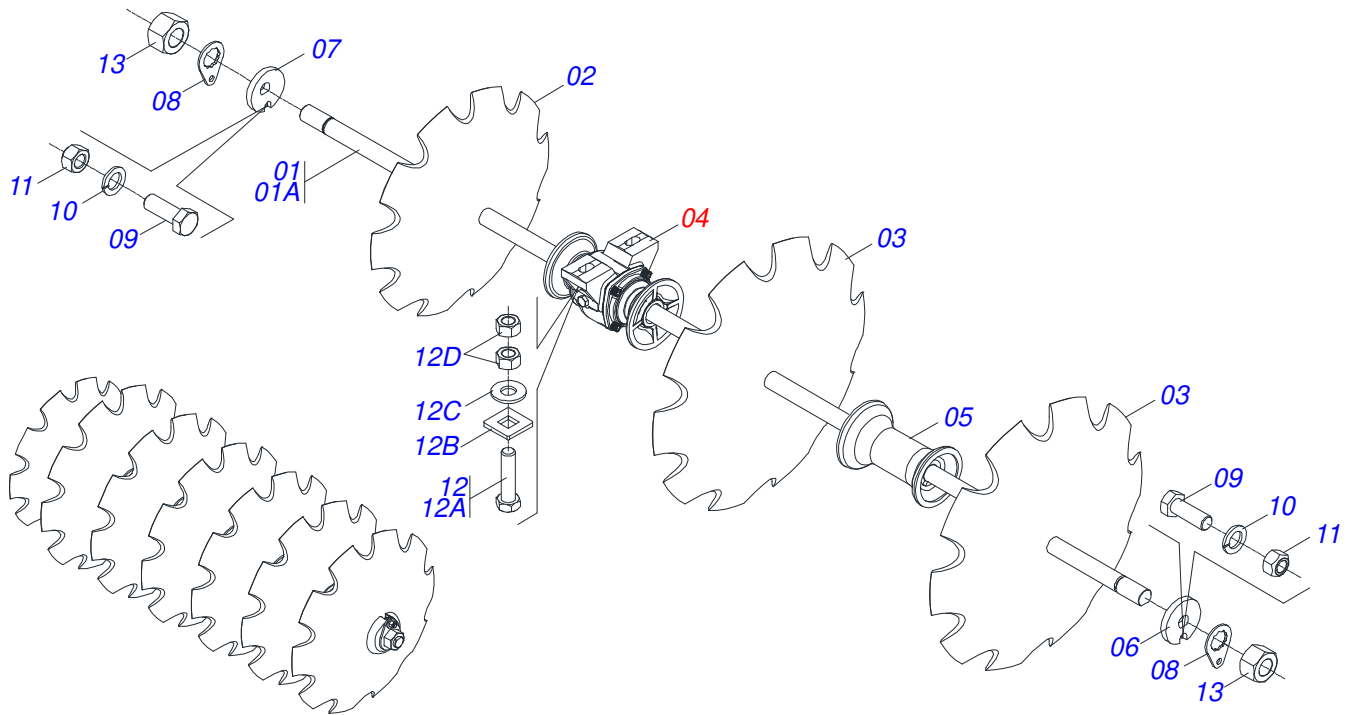
Item	Code	Description	See page	28	32	36	44	48
01	0511059180	HYDRAULIC CYLINDER 50,80 X 101,60 X 515 X 203	7	02	02	02	02	02
02	0501080361	3/8" X 157" TR-TM HOSE		02	02	02	02	02
03	0501080431	3/8" X 1900 TR-TC HOSE ASSY		01	01	01	01	01
04	0501080419	3/8" X 82,6" TR-TC HOSE		01	01	01	01	01
05	0501080469	3/8" X 98,42" TR-TR HOSE ASSY		01	01	01	01	01
06	0501080401	3/8" X 106" TR-TC HOSE		01	01	01	01	01
07	0501068706	DOUBLE CONNECTION		01	01	01	01	01
08	0503010237	3/8" X 1" BOLT		02	02	02	02	02
09	0511017302	FLAT WASHER 13,50 X 32,50 X 3,0 ZN		02	02	02	02	02
10	0503010025	3/8 SPRING WASHER		07	07	07	07	07
11	0503010026	3/8" NUT		02	02	02	02	02
12	0502012702	BODY SUPPORT CLAMP		05	05	05	05	05
13	0503012555	7/16" UNC X 2" CS RT G.7 ZN SCREW		05	05	05	05	05
14	0501053834	MALE QUICK COUPLER		02	02	02	02	02



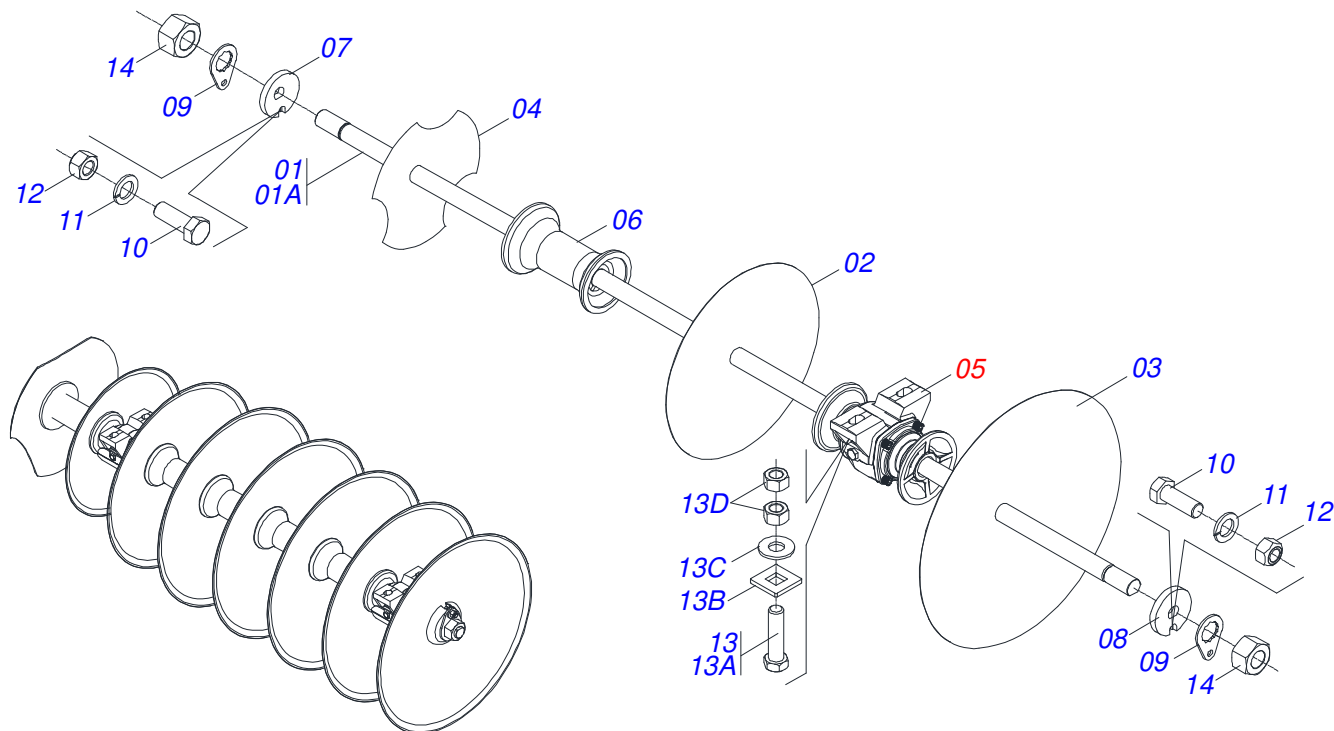
Item	Code	Description	See page	28	32	36
01	0501043697	1.1/2 6FPP X 1505 AXLE WITH NUTS		02	00	00
01A	0511012601	1.1/2 6FPP X 1505 AXLE		02	00	00
02	0501043837	1-1/2" X 68" AXLE WITH NUTS		00	02	00
02A	0511010225	1-1/2" X 68" AXLE		00	02	00
03	0501043756	1-1/2" X 77" AXLE WITH NUTS		00	02	00
03A	0511010230	1-1/2" X 77" AXLE		00	02	00
04	0602030331	24" X 0.236" NOTCHED DISC BLADE		02	02	02
05	0602033252	DR 26 X 6,00 C89AF02FR1.9/16 10R		12	14	16
06	0501044315	9" X 1-1/2" OIL BATH BEARING	17	04	06	06
07	0502010621	8.8" 1-1/2" SPACER		08	08	10
08	0502010871	EXTERNAL AXLE WASHER 1.1/2"		02	02	02
09	0502010872	1-1/2" INNER AXLE WASHER		02	02	02
10	0501018592	1.5/8 HEX 60,0/60,2 LOCK NUT		04	04	04
11	0503011267	BOLT 5/8" UNC X 1.1/2 C S G.5 ZN		04	04	04
12	0503010027	5/8 SPRING WASHER		04	04	04
13	0503010013	5/8 UNC G.5 ZN HEX NUT		04	04	04
14	0501042160	5/8" X 76 BOLT ASSY		08	12	12
14A	0501011234	5/8" X 3" BOLT		08	12	12
14B	0501010947	5/8 NUT LOCK		08	12	12
14C	0501012140	FLAT WASHER 16,50 X 40 X 4,00 ZN		08	12	12
14D	0503010013	5/8 UNC G.5 ZN HEX NUT		08	12	12
15	0501810110	1.1/2 NC 6FPP NUT		04	04	04



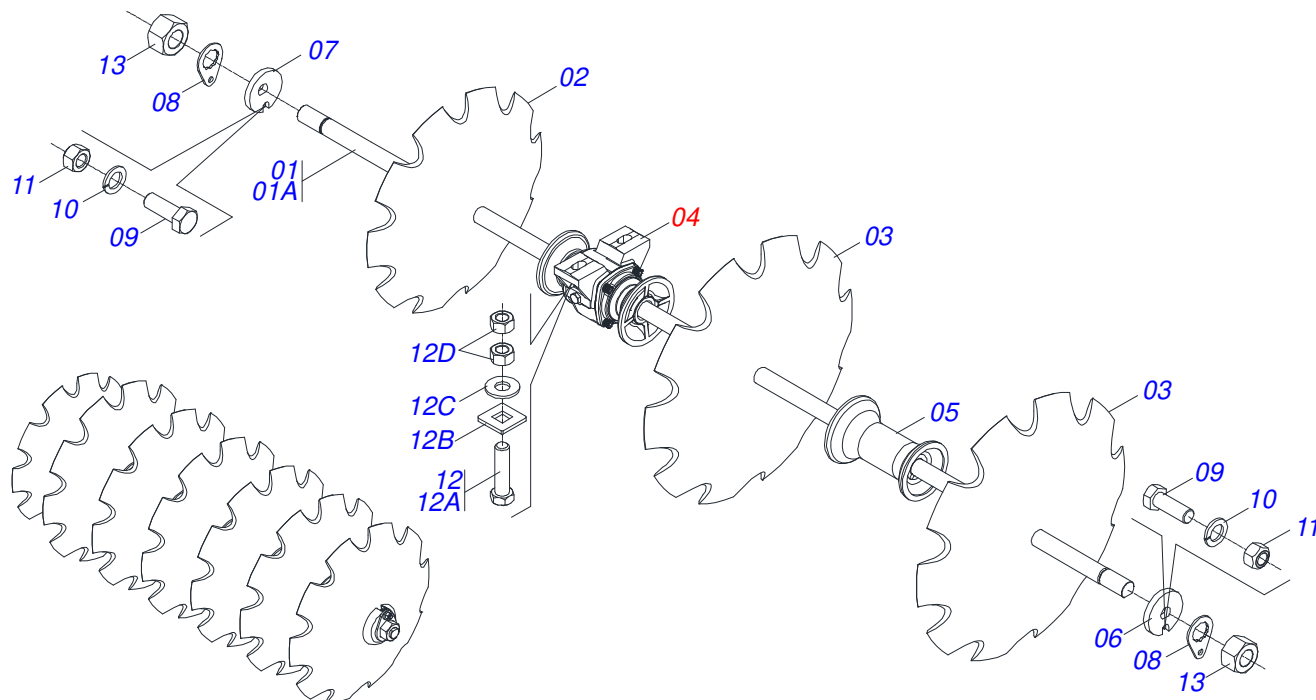
Item	Code	Description	See page	28	32	36
01	0501043837	1-1/2" X 68" AXLE WITH NUTS		02	00	00
01A	0511010225	1-1/2" X 68" AXLE		02	00	00
02	0501043756	1-1/2" X 77" AXLE WITH NUTS		00	02	00
02A	0511010230	1-1/2" X 77" AXLE		00	02	00
03	0501043757	1-1/2" X 86" AXLE WITH NUTS		00	00	02
03A	0511012602	1-1/2" X 86" AXLE		00	00	02
04	0601031031	24" X 6 PLAIN DISC BLADE		02	02	02
05	0601033237	26" X 6 PLAIN DISC BLADE		12	14	16
06	0602029293	22" X 6 NOTCHED DISC BLADE		02	02	02
07	0501044315	9" X 1-1/2" OIL BATH BEARING	17	04	04	04
08	0502010621	8.8" 1-1/2" SPACER		10	12	12
09	0502010871	EXTERNAL AXLE WASHER 1.1/2"		02	02	02
10	0502010872	1-1/2" INNER AXLE WASHER		02	02	02
11	0501018592	1.5/8 HEX 60,0/60,2 LOCK NUT		04	04	04
12	0503011267	BOLT 5/8" UNC X 1.1/2" C S G.5 ZN		04	04	04
13	0503010027	5/8 SPRING WASHER		04	04	04
14	0503010013	5/8 UNC G.5 ZN HEX NUT		04	04	04
15	0501042160	5/8" X 76 BOLT ASSY		08	12	12
15A	0501011234	5/8" X 3" BOLT		08	12	12
15B	0501010947	5/8 NUT LOCK		08	12	12
15C	0501012140	FLAT WASHER 16,50 X 40 X 4,00 ZN		08	12	12
15D	0503010013	5/8 UNC G.5 ZN HEX NUT		08	12	12
16	0501810110	1.1/2 NC 6FPP NUT		04	04	04



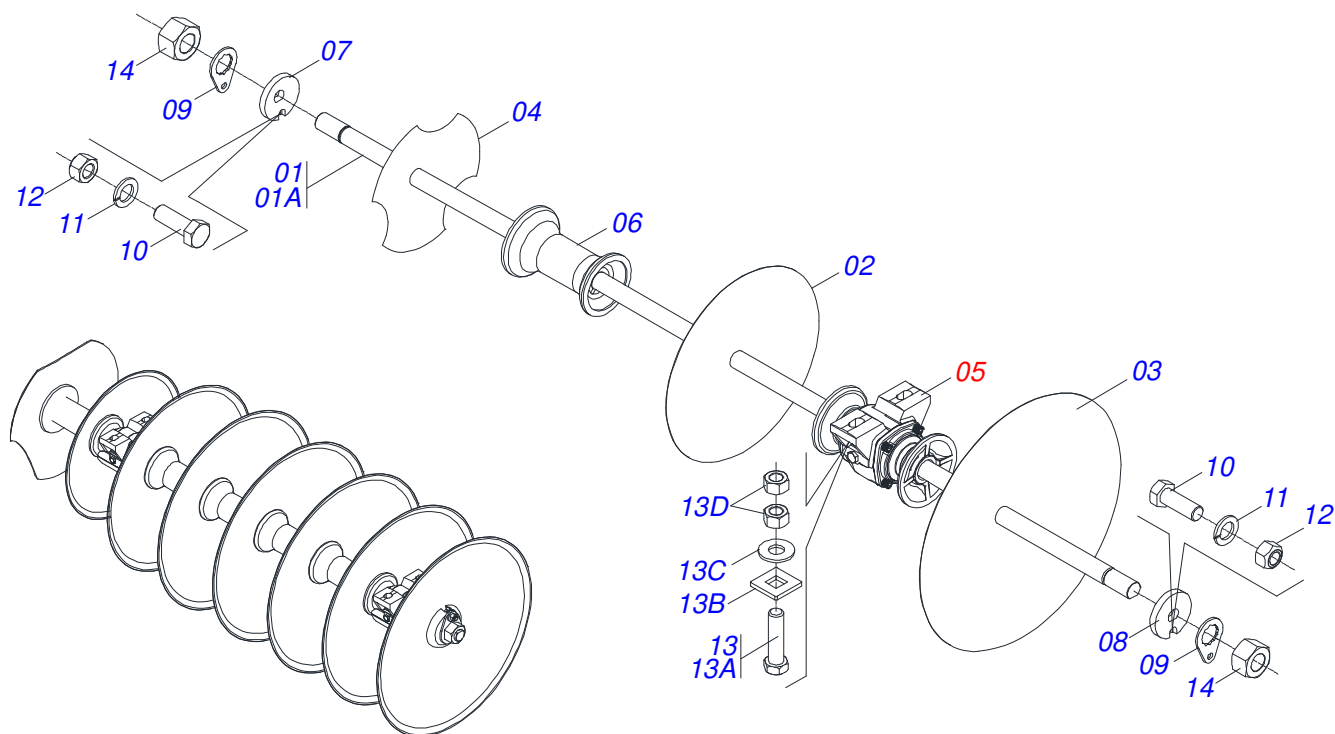
Item	Code	Description	See page	QT
01	0501043758	1-1/2" X 2425 AXLE W/NUTS		02
01A	0511012603	1.1/2" X 2425 AXLE W/NUTS		02
02	0602030331	24" X 0.236" NOTCHED DISC BLADE		02
03	0602033252	DR 26 X 6,00 C89AF02FR1.9/16 10R		20
04	0501044315	9" X 1-1/2" OIL BATH BEARING	17	06
05	0502010621	8.8" 1-1/2" SPACER		14
06	0502010871	EXTERNAL AXLE WASHER 1.1/2"		02
07	0502010872	1-1/2" INNER AXLE WASHER		02
08	0501018592	1.5/8 HEX 60,0/60,2 LOCK NUT		04
09	0503011267	BOLT 5/8" UNC X 1.1/2 C S G.5 ZN		04
10	0503010027	5/8 SPRING WASHER		04
11	0503010013	5/8 UNC G.5 ZN HEX NUT		04
12	0501042160	5/8" X 76 BOLT ASSY		12
12A	0501011234	5/8" X 3" BOLT		12
12B	0501010947	5/8 NUT LOCK		12
12C	0501012140	FLAT WASHER 16,50 X 40 X 4,00 ZN		12
12D	0503010013	5/8 UNC G.5 ZN HEX NUT		12
13	0501810110	1.1/2 NC 6FPP NUT		04



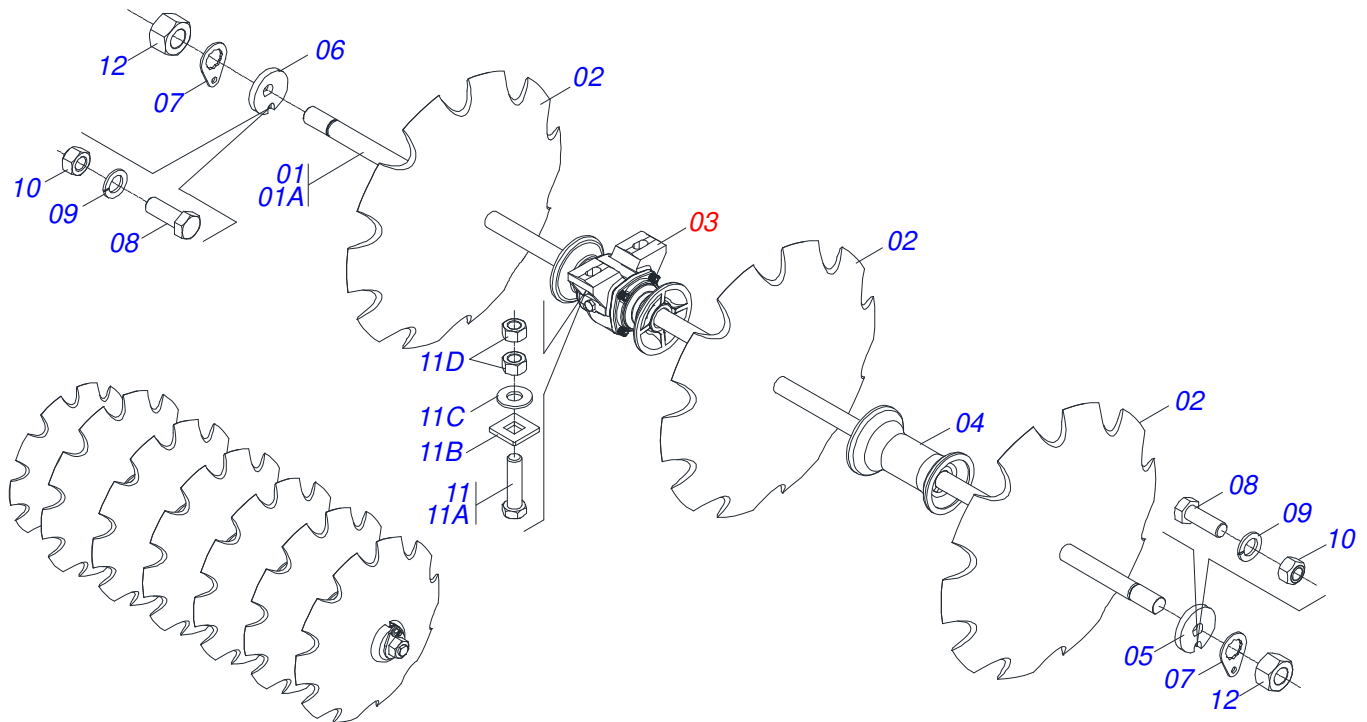
Item	Code	Description	See page	QT
01	0501044069	1.1/2" X 2655 AXLE W/NUTS		02
01A	0511010853	1.1/2" X 2655 AXLE W/NUTS		02
02	0601031031	24" X 6 PLAIN DISC BLADE		02
03	0601033237	26" X 6 PLAIN DISC BLADE		20
04	0602029293	22" X 6 NOTCHED DISC BLADE		02
05	0501044315	9" X 1-1/2" OIL BATH BEARING	17	03
06	0502010621	8.8" 1-1/2" SPACER		16
07	0502010871	EXTERNAL AXLE WASHER 1.1/2"		04
08	0502010872	1-1/2" INNER AXLE WASHER		04
09	0501018592	1.5/8 HEX 60,0/60,2 LOCK NUT		08
10	0503011267	BOLT 5/8" UNC X 1.1/2 C S G.5 ZN		08
11	0503010027	5/8 SPRING WASHER		08
12	0503010013	5/8 UNC G.5 ZN HEX NUT		08
13	0501042160	5/8" X 76 BOLT ASSY		12
13A	0501011234	5/8" X 3" BOLT		12
13B	0501010947	5/8 NUT LOCK		12
13C	0501012140	FLAT WASHER 16,50 X 40 X 4,00 ZN		12
13D	0503010013	5/8 UNC G.5 ZN HEX NUT		12
14	0501810110	1.1/2 NC 6FPP NUT		08



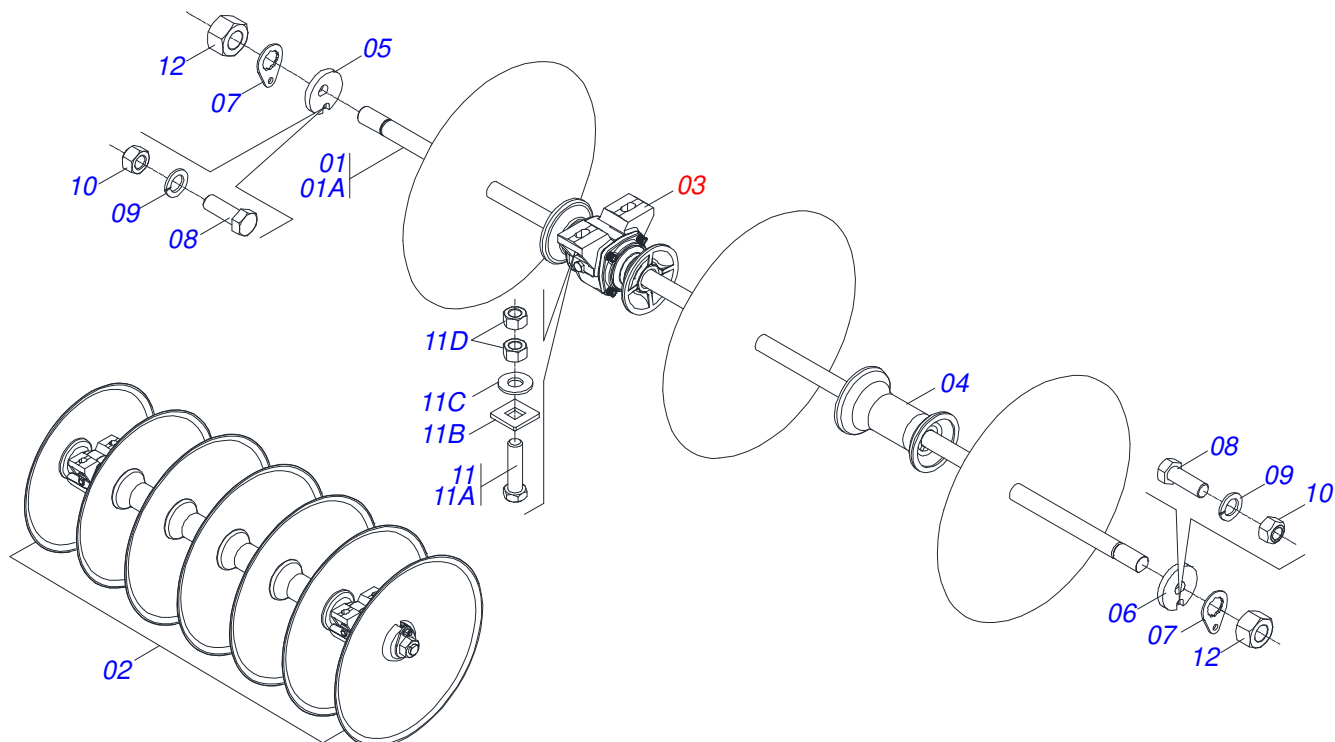
Item	Code	Description	See page	QT
01	0501043697	1.1/2 6FPP X 1505 AXLE WITH NUTS		02
01A	0511012601	1.1/2 6FPP X 1505 AXLE		02
02	0602030331	24" X 0.236" NOTCHED DISC BLADE		02
03	0602033252	DR 26 X 6,00 C89AF02FR1.9/16 10R		12
04	0501044315	9" X 1-1/2" OIL BATH BEARING	17	04
05	0502010621	8.8" 1-1/2" SPACER		08
06	0502010871	EXTERNAL AXLE WASHER 1.1/2"		02
07	0502010872	1-1/2" INNER AXLE WASHER		02
08	0501018592	1.5/8 HEX 60,0/60,2 LOCK NUT		04
09	0503011267	BOLT 5/8" UNC X 1.1/2 C S G.5 ZN		04
10	0503010027	5/8 SPRING WASHER		04
11	0503010013	5/8 UNC G.5 ZN HEX NUT		04
12	0501042160	5/8" X 76 BOLT ASSY		16
12A	0501011234	5/8" X 3" BOLT		16
12B	0501010947	5/8 NUT LOCK		16
12C	0501012140	FLAT WASHER 16,50 X 40 X 4,00 ZN		16
12D	0503010013	5/8 UNC G.5 ZN HEX NUT		16
13	0501810110	1.1/2 NC 6FPP NUT		04



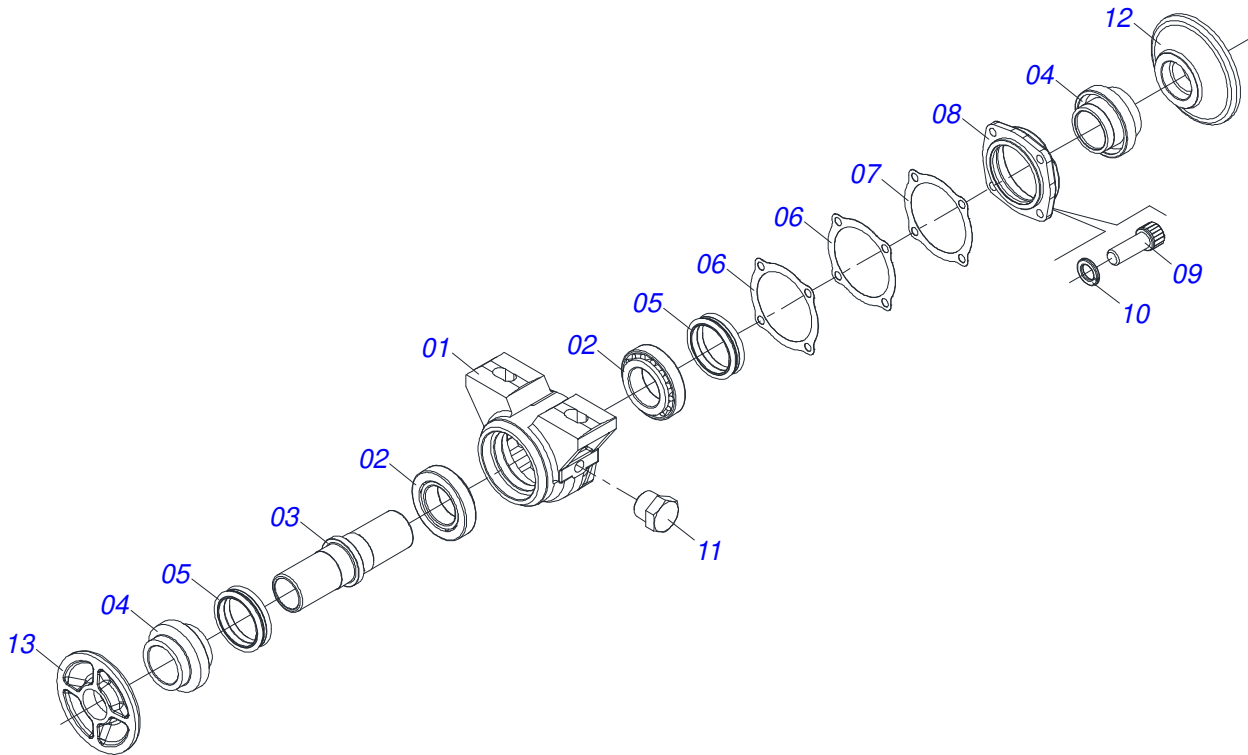
Item	Code	Description	See page	QT
01	0501043689	1-1/2" X 1275 AXLE W/NUT		02
01A	0511012600	1-1/2" X 1275 AXLE		02
02	0601031031	24" X 6 PLAIN DISC BLADE		02
03	0601033237	26" X 6 PLAIN DISC BLADE		08
04	0602029293	22" X 6 NOTCHED DISC BLADE		02
05	0501044315	9" X 1-1/2" OIL BATH BEARING	17	04
06	0502010621	8.8" 1-1/2" SPACER		06
07	0502010871	EXTERNAL AXLE WASHER 1.1/2"		02
08	0502010872	1-1/2" INNER AXLE WASHER		02
09	0501018592	1.5/8 HEX 60,0/60,2 LOCK NUT		04
10	0503011267	BOLT 5/8" UNC X 1.1/2 C S G.5 ZN		04
11	0503010027	5/8 SPRING WASHER		04
12	0503010013	5/8 UNC G.5 ZN HEX NUT		04
13	0501042160	5/8" X 76 BOLT ASSY		16
13A	0501011234	5/8" X 3" BOLT		16
13B	0501010947	5/8 NUT LOCK		16
13C	0501012140	FLAT WASHER 16,50 X 40 X 4,00 ZN		16
13D	0503010013	5/8 UNC G.5 ZN HEX NUT		16
14	0501810110	1.1/2 NC 6FPP NUT		04



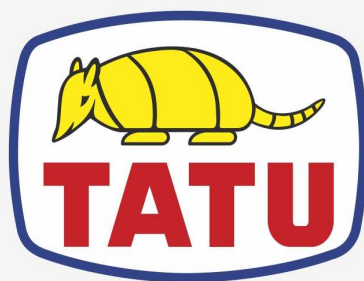
Item	Code	Description	See page	QT
01	0501043835	1.1/2" X 1040 AXLE W/NUT		02
01A	0511010224	1.1/2" X 1040 AXLE		02
02	0602033252	DR 26 X 6,00 C89AF02FR1.9/16 10R		10
03	0501044315	9" X 1-1/2" OIL BATH BEARING	17	04
04	0502010621	8.8" 1-1/2" SPACER		08
05	0502010871	EXTERNAL AXLE WASHER 1.1/2"		02
06	0502010872	1-1/2" INNER AXLE WASHER		02
07	0501018592	1.5/8 HEX 60,0/60,2 LOCK NUT		04
08	0503011267	BOLT 5/8" UNC X 1.1/2 C S G.5 ZN		04
09	0503010027	5/8 SPRING WASHER		04
10	0503010013	5/8 UNC G.5 ZN HEX NUT		04
11	0501042160	5/8" X 76 BOLT ASSY		08
11A	0501011234	5/8" X 3" BOLT		08
11B	0501010947	5/8 NUT LOCK		08
11C	0501012140	FLAT WASHER 16,50 X 40 X 4,00 ZN		08
11D	0503010013	5/8 UNC G.5 ZN HEX NUT		08
12	0501810110	1.1/2 NC 6FPP NUT		04



Item	Code	Description	See page	QT
01	0501043697	1.1/2 6FPP X 1505 AXLE WITH NUTS		02
01A	0511012601	1.1/2 6FPP X 1505 AXLE		02
02	0601033237	26"X 6 PLAIN DISC BLADE		08
03	0501044315	9" X 1-1/2" OIL BATH BEARING	17	04
04	0502010621	8.8" 1-1/2" SPACER		08
05	0502010871	EXTERNAL AXLE WASHER 1.1/2"		02
06	0502010872	1-1/2" INNER AXLE WASHER		02
07	0501018592	1.5/8 HEX 60,0/60,2 LOCK NUT		04
08	0503011267	BOLT 5/8" UNC X 1.1/2 C S G.5 ZN		04
09	0503010027	5/8 SPRING WASHER		04
10	0503010013	5/8 UNC G.5 ZN HEX NUT		04
11	0501042160	5/8" X 76 BOLT ASSY		08
11A	0501011234	5/8" X 3" BOLT		08
11B	0501010947	5/8 NUT LOCK		08
11C	0501012140	FLAT WASHER 16,50 X 40 X 4,00 ZN		08
11D	0503010013	5/8 UNC G.5 ZN HEX NUT		08
12	0501810110	1.1/2 NC 6FPP NUT		04



Item	Code	Description	See page	QT
01	0502010540	HOUSING DM		01
02	0503010006	32210 ROLLER BEARING		02
03	0502040611	AXLE		01
04	0502010821	RETAINER HOLDER WITH BUSHING		02
05	0503030026	SEAL LP JB-253		02
06	0503030013	4.4" X 3.5" X 0.004" JOINT		02
07	0503030684	4.4" X 3.5" X 0.004" JOINT		01
08	0502020424	HOUSING CAP 182/192,225		01
09	0503010134	3/8" X 1" BOLT		04
10	0503011443	SPRING WASHER 3/8"		04
11	0503010856	OIL PLUG R 3/8 BSPT		02
12	0502010604	OUTER FLANGE		01
13	0502010605	INNER FLANGE		01



MARCHESAN

Technical Publications | Elaboration and Revision

ALESSANDRA PATRICIA KAWAHARA CARRILI

www.marchesan.com.br

