

DOUBLE OFFSET DISK HARROW

GTD 28/32/36/40/44/48/52D

Code: 0501091263
Series: S-0195
Revision: 00
Date Revision: OUTUBRO/2005

PARTS CATALOGUE



MARCHESAN



PRODUCTS

Code	Description
0102430445	GTD 28 X 24 X 4,75 DM MT S-0195
0102430474	GTD 28 X 26 X 6,00 DM MT S-0195
0102430446	GTD 32 X 24 X 4,75 DM MT S-0195
0102430460	GTD 32 X 26 X 6,00 DM MT S-0195
0102430447	GTD 36 X 24 X 4,75 DM MT S-0195
0102430461	GTD 36 X 26 X 6,00 DM MT S-0195
0102430532	GTD 36 X 26 X 6,00 DM MT C/P S-0195
0102430448	GTD 40 X 24 X 4,75 DM MT S-0195
0102430525	GTD 40 X 24 X 6,00 DM MT S-0195
0102430475	GTD 40 X 26 X 6,00 DM MT S-0195
0102430450	GTD 44 X 24 X 4,75 DM MT S-0195
0102430583	GTD 44 X 24 X 4,75 DM MT S-0195
0102430597	GTD 44 X 26 X 6,0 DM DR S-0195
0102430476	GTD 44 X 26 X 6,00 DM MT S-0195
0102430452	GTD 48 X 24 X 4,75 DM MT S-0195
0102430616	GTD 48 X 24 X 6,00 DM DR S-0195
0102430469	GTD 48 X 26 X 6,00 DM MT S-0195
0102430453	GTD 52 X 24 X 4,75 DM MT S-0195
0102430479	GTD 52 X 26 X 6,00 DM MT S-0195
0102430449	GTD-R 44 X 24 X 4,75 DM MT S-0195
0102430489	GTD-R 44 X 26 X 6,00 DM MT S-0195
0102430451	GTD-R 48 X 24 X 4,75 DM MT S-0195
0102430490	GTD-R 48 X 26 X 6,00 DM MT S-0195

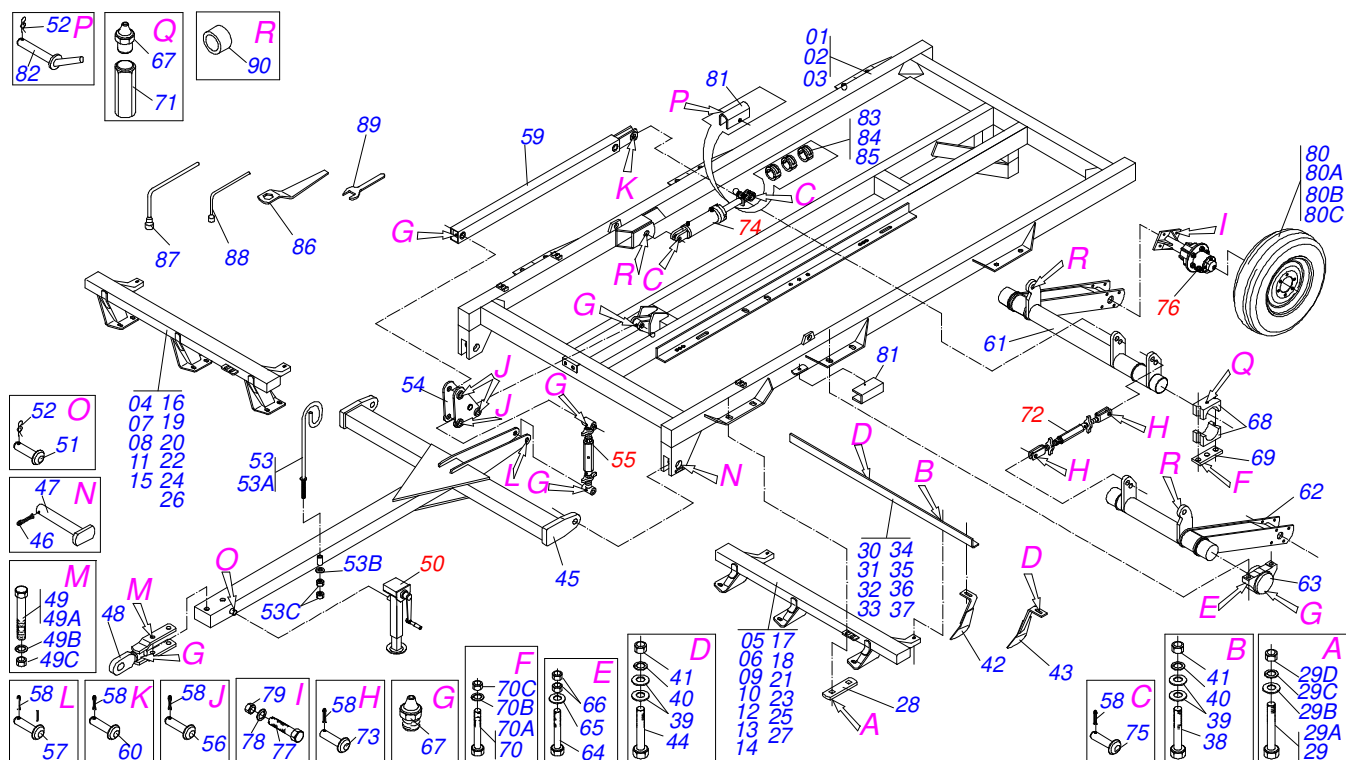
ATTENTION: IMPORTANT

Marchesan S.A. reserves the right to improve and/or modify the technical features of its products, without obligation to do the same with those products already sold and without prior knowledge of the dealer or the customer. The photos are only illustrative.



INDEX

0909091356	ASSY FRAME 28/32/36/40/44/48D	1
0909091366	ASSY FRAME 52D	2
0501051631	STUB SHAFT & HUB ASSY	3
0909091369	28/32/36/40/44/48D GANG DISC	4
0909091352	HYDRAULIC CIRCUIT 28/32/36/40/44/48D	5
0501044313	HYDRAULIC CYLINDER 38,1 X 63,5 X 800 X 400	6
0909091371	GANG DISC 44/48/52D	7
0909090454	225 X 1.5/8" OIL BATH BEARING	8
0511043807	225 X 1.5/8 OIL BATH BEARING W/ WEAR PLATE	9
0909091353	44/48/52D HIDRAULIC CIRCUIT	10



Item	Code	Description	See page	28	32	36	40	44R	48R
01	0501067532	FRAME		01	01	01	00	00	00
02	0501068605	FRAME		00	00	01	01	00	00
03	0501067533	FRAME		00	00	00	00	00	01
04	0511065093	RIGHT FRONT FRAME		01	00	00	00	00	00
05	0511065094	FRONT FRAME		01	00	00	00	00	00
06	0511065095	RIGHT REAR FRAME		01	00	00	00	00	00
07	0511065096	LEFT REAR FRAME		01	00	00	00	00	00
08	0501068617	RIGHT FRONT FRAME		00	01	00	00	00	00
09	0501068618	LEFT FRONT FRAME		00	01	00	00	00	00
10	0501067466	RIGHT REAR FRAME		00	01	00	00	00	00
11	0501067467	LEFT REAR FRAME		00	01	00	00	00	00
12	0501068619	RIGHT FRONT FRAME		00	00	01	00	00	00
13	0501068620	LEFT FRONT FRAME		00	00	01	00	00	00
14	0501067470	RIGHT REAR FRAME		00	00	01	00	00	00
15	0501067471	LEFT REAR FRAME		00	00	01	00	00	00
16	0511065097	RIGHT FRONT FRAME		00	00	00	01	00	00
17	0511065098	LEFT FRONT FRAME		00	00	00	01	00	00
18	0511065099	RIGHT REAR FRAME		00	00	00	01	00	00
19	0511065100	LEFT REAR FRAME		00	00	00	01	00	00
20	0511064796	RIGHT FRONT FRAME		00	00	00	00	01	00
21	0511064797	LEFT FRONT FRAME		00	00	00	00	01	00
22	0501067490	RIGHT REAR FRAME		00	00	00	00	01	00
23	0501067491	LEFT REAR FRAME		00	00	00	00	01	00
24	0501067492	RIGHT FRONT FRAME		00	00	00	00	00	01
25	0501067493	LEFT FRONT FRAME		00	00	00	00	00	01
26	0501067494	RIGHT REAR FRAME		00	00	00	00	00	01
27	0501067495	LEFT REAR FRAME		00	00	00	00	00	01
28	0511013056	FIXING BASE FRAME		08	08	08	08	08	08
29	0511042229	1" X 6" BOLT		16	16	16	16	16	16
29A	0503013113	1" X 6" BOLT		16	16	16	16	16	16
29B	0501010065	1" SPRING WASHER		16	16	16	16	16	16



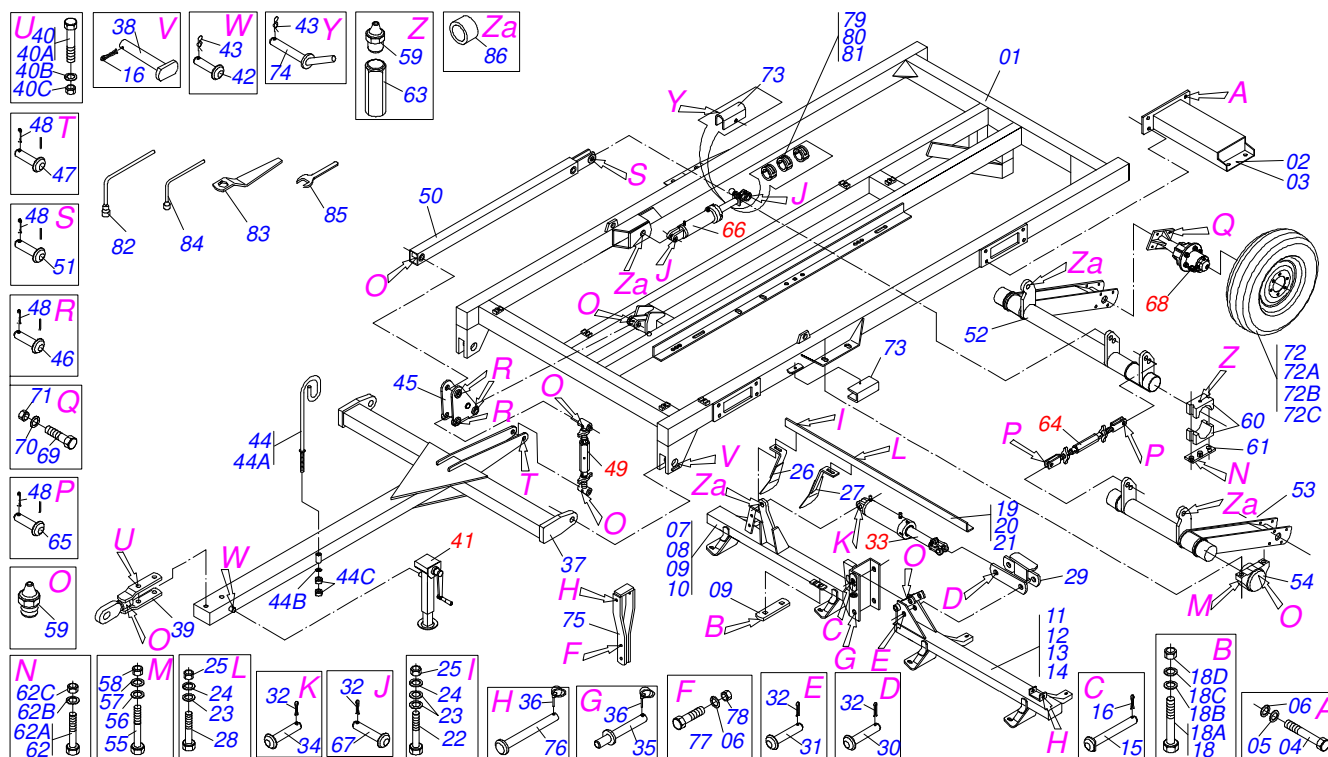
GTD 28/32/36/40/44/48/52D
ASSY FRAME 28/32/36/40/44/48D

Item	Code	Description	See page	28	32	36	40	44R	48R
29C	0503010012	1" SPRING WASHER		16	16	16	16	16	16
29D	0501010059	1.5/8 NUT		16	16	16	16	16	16
30	0511012596	1480 FIX BAR SCRAPER		02	00	00	00	04	00
31	0511012595	1710 BAR FIX SCRAPER		02	02	00	00	00	00
32	0511012599	1940 BAR FIX SCRAPER		00	02	02	00	00	00
33	0511012597	2170 BAR FIX SCRAPER		00	02	00	00	00	00
34	0541010756	FRONT FIXER BAR		00	00	02	00	00	00
35	0531019616	2500 REAR FIXER BAR SCRAPER		00	00	02	00	00	00
36	0511012594	1020 BAR FIX SCRAPER		00	00	00	02	02	00
37	0511012604	1250 BAR FIX SCRAPER		00	00	00	06	02	00
38	0503010740	BOLT 1/2 UNC X 2 CS G.5 ZN		08	08	12	12	16	16
39	0511017302	FLAT WASHER 13,50 X 32,50 X 3,0 ZN		60	68	76	84	92	100
40	0503010019	1/2" SPRING WASHER		30	34	38	42	46	50
41	0503010060	1/2 UNC G.5 ZN HEX NUT		30	34	38	42	46	50
42	0501067394	LH FRONT/RH REAR SCRAPER		15	17	19	21	23	25
43	0501067395	LH FRONT/RH REAR SCRAPER		15	17	19	21	23	25
44	0501019219	1/2" X 1-3/4" BOLT		22	26	26	30	30	34
45	0501066067	DRAWBAR		01	01	01	01	01	01
46	0521010620	1.5" X 4.6" COUPLING SHAFT		02	02	02	02	02	02
47	0503010534	3/8 X 2-1/2 COTTERPIN		02	02	02	02	02	02
48	0501065566	TRACTOR HITCH		01	01	01	01	01	01
49	0501041894	1" X 7" ASSY BOLT		02	02	02	02	02	02
49A	0501010334	1" X 7" BOLT		02	02	02	02	02	02
49B	0503011438	SPRING WASHER		02	02	02	02	02	02
49C	0501010059	1.5/8 NUT		02	02	02	02	02	02
50	0511041259	DRAWBAR JACK ASSY		01	01	01	01	01	01
51	0521010549	COUPLING SHAFT		01	01	01	01	01	01
52	0503030168	HITCH PIN CLIP		03	03	03	03	03	03
53	0501043004	3/4" X 26" HOSE HOLDER		01	01	01	01	01	01
53A	0501017992	3/4" X 648 HOSE HOLDER		01	01	01	01	01	01
53B	0503011442	3/4" SPRING WASHER		01	01	01	01	01	01
53C	0503010014	3/4" HEX NUT		02	02	02	02	02	02
54	0501065531	ROCKER ARM		01	01	01	01	01	01
55	0501044204	ESTABILIZER ASSY		01	01	01	01	01	01
56	0501019719	1.1/4" X 155MM COUPLING SHAFT		03	03	03	03	03	03
57	0521010546	1.2" X 5.7" COUPLING SHAFT		01	01	01	01	01	01
58	0503010523	1/4" X 2" SPLIT PIN		11	11	11	11	11	11
59	0501067527	STABILIZER BAR		01	01	01	01	01	01
60	0521010780	1.2" X 4.5" COUPLING SHAFT		01	01	01	01	01	01
61	0501069059	RH CARRYING-WHEELS SUPPORT		01	01	01	01	01	01
62	0501069060	LH CARRYING-WHEELS SUPPORT		01	01	01	01	01	01
63	0502010972	ARTICULACION BEARING		03	03	03	03	03	03
64	0503011432	BOLT		06	06	06	06	06	06
65	0501010065	1" SPRING WASHER		06	06	06	06	06	06
66	0501010059	1.5/8 NUT		12	12	12	12	12	12
67	0503010002	1800 GREASE FITTING		07	07	07	07	07	07
68	0502010673	BEARING SEMI		02	02	02	02	02	02
69	0501015593	SUPPORT PLATE		01	01	01	01	01	01
70	0501042309	1" X 9" AR ASSY BOLT		02	02	02	02	02	02
70A	0501010064	1" X 9" BOLT		02	02	02	02	02	02
70B	0503010012	1" SPRING WASHER		02	02	02	02	02	02
70C	0501010059	1.5/8 NUT		02	02	02	02	02	02
71	0503030534	EXTENSION GREASE FITTING		02	02	02	02	02	02
72	0501045162	ASSEMBLY CARRYING WHEELS ESTABILIZER		01	01	01	01	01	01
73	0521010778	1.25" X 3.15" COUPLING SHAFT		02	02	02	02	02	02
74	0501048420	HYDRAULIC CYLINDER		02	02	02	02	02	02
75	0521012538	1.2" X 3.5" COUPLING SHAFT		04	04	04	04	04	04
76	0501051631	STUB SHAFT & HUB ASSY	3	04	04	04	04	04	04
77	0503010899	5/8 UNC X 2.1/4 BOLT		16	16	16	16	16	16



GTD 28/32/36/40/44/48/52D
ASSY FRAME 28/32/36/40/44/48D

Item	Code	Description	See page	28	32	36	40	44R	48R
78	0503010027	5/8 SPRING WASHER		16	16	16	16	16	16
79	0503010013	5/8 NUT		16	16	16	16	16	16
80	0503060091	L29.5"X0.63"-10L WHEEL AND		04	04	04	04	04	04
81	0511010839	TRANSPORT LOCK 7.9" X 2.1" X 0.4"		02	02	02	02	02	02
82	0501068994	8,30 X 78 LOCK PIN		02	02	02	02	02	02
83	0501043620	0.98" ROD STOP FOR 2" CYLINDER		02	02	02	02	02	02
84	0501043694	1.18" ROD STOP FOR 2" CYLINDER		02	02	02	02	02	02
85	0501043695	1.6" ROD STOP FOR 2" CYLINDER		02	02	02	02	02	02
86	0501011432	1-1/2" AND 1-5/8 GANG BOLT WRENCH		02	02	02	02	02	02
87	0501061045	1" WRENCH CYLINDRICAL		01	01	01	01	01	01
88	0501068273	5/8" WRENCH		01	01	01	01	01	01
89	0511010153	2-5/16" FIXED WRENCH		01	01	01	01	01	01
90	0511019921	1.3" X 0.1" X 1" SLEEVE		11	11	11	11	11	11
91	0909091369	28/32/36/40/44/48D GANG DISC	4	00	00	00	00	00	00
92	0909091352	HYDRAULIC CIRCUIT 28/32/36/40/44/48D	5	00	00	00	00	00	00



Item	Code	Description	See page	52
01	0501067533	FRAME	01	
02	0501066136	FRONT ADJUSTMENT	02	
03	0501066137	REAR ADJUSTMENT	02	
04	0501011544	3/4" X 1-1/2" BOLT	16	
05	0501010322	FLAT WASHER	16	
06	0503010023	3/4" SPRING WASHER	24	
07	0501067496	RIGHT FRONT CENTRIC FRAME	01	
08	0501067497	LEFT FRONT CENTRIC FRAME	01	
09	0501067498	RIGHT CENTRAL REAR FRAME	01	
10	0501067499	LEFT CENTRAL REAR FRAME	01	
11	0501068406	RIGHT FRONT SIDE FRAME	01	
12	0501068407	LEFT FRONT SIDE FRAME	01	
13	0501068408	RIGHT SIDE REAR FRAME	01	
14	0501068409	LEFT SIDE REAR FRAME	01	
15	0511013058	PIVOT SHAFT	04	
16	0503010534	3/8 X 2-1/2 COTTERPIN	06	
17	0511013056	FIXING BASE FRAME	08	
18	0511042229	1" X 6" BOLT	16	
18A	0503013113	1" X 6" BOLT	16	
18B	0501010065	1" SPRING WASHER	16	
18C	0503010012	1" SPRING WASHER	16	
18D	0501010059	1.5/8 NUT	16	
19	0511012594	1020 BAR FIX SCRAPER	02	
20	0511012604	1250 BAR FIX SCRAPER	02	
21	0511012595	1710 BAR FIX SCRAPER	02	
22	0503010740	BOLT 1/2 UNC X 2 CS G.5 ZN	16	
23	0511017302	FLAT WASHER 13,50 X 32,50 X 3,0 ZN	108	
24	0503010019	1/2" SPRING WASHER	54	
25	0503010060	1/2 UNC G.5 ZN HEX NUT	54	
26	0501067394	LH FRONT/RH REAR SCRAPER	27	
27	0501067395	LH FRONT/RH REAR SCRAPER	27	

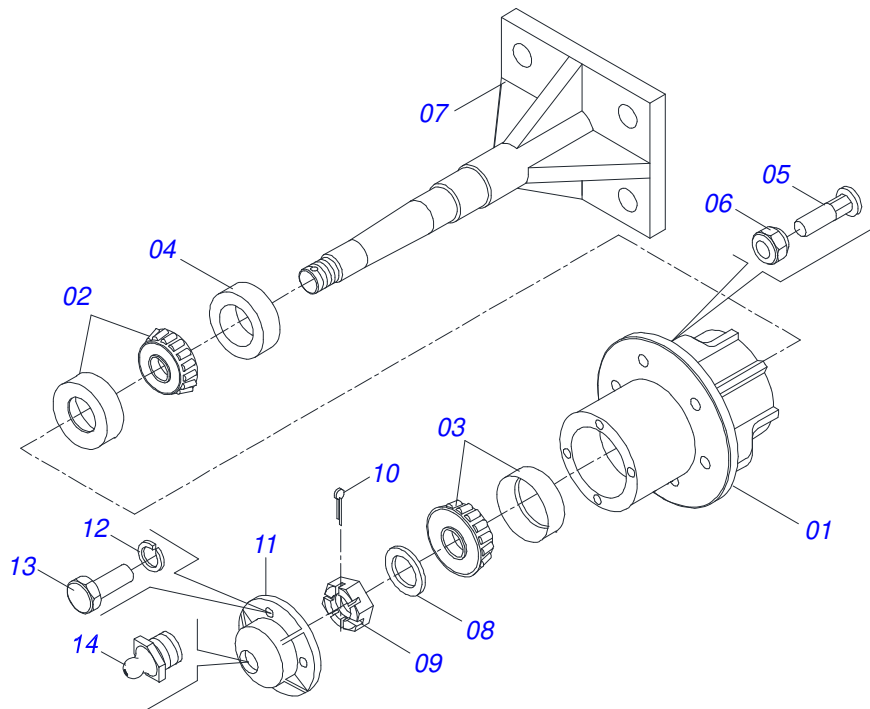
Item	Code	Description	See page	52
28	0503011082	C1/2" X 1.3/4" SCREW		38
30	0501066133	LINK ARTICULATION		04
31	0521010580	COUPLING SHAFT		04
32	0521010585	0.9" X 5.9" COUPLING SHAFT		04
33	0503010571	1/4" X 1.1/2 COTTERPIN		12
34	0501044313	HYDRAULIC CYLINDER 38,1 X 63,5 X 800 X 400	6	04
35	0521010910	COUPLING SHAFT		04
36	0501066066	LOCK PIN		04
37	0503030119	LOCK PIN		04
38	0501066067	DRAWBAR		01
39	0521010620	1.5" X 4.6" COUPLING SHAFT		02
40	0501065566	TRACTOR HITCH		01
41	0501041894	1" X 7" ASSY BOLT		02
41A	0501010334	1" X 7" BOLT		02
41B	0503011438	SPRING WASHER		02
41C	0501010059	1.5/8 NUT		02
42	0511041259	DRAWBAR JACK ASSY		01
43	0521010549	COUPLING SHAFT		01
44	0503030168	HITCH PIN CLIP		03
45	0501043004	3/4" X 26" HOSE HOLDER		01
45A	0501017992	3/4" X 648 HOSE HOLDER		01
45B	0503011442	3/4" SPRING WASHER		01
45C	0503010014	3/4" HEX NUT		02
46	0501065531	ROCKER ARM		01
47	0501019719	1.1/4" X 155MM COUPLING SHAFT		03
48	0521010546	1.2" X 5.7" COUPLING SHAFT		01
49	0503010523	1/4" X 2" SPLIT PIN		11
50	0501044204	ESTABILIZER ASSY		01
51	0501067527	STABILIZER BAR		01
52	0521010780	1.2" X 4.5" COUPLING SHAFT		01
53	0501069059	RH CARRYING-WHEELS SUPPORT		01
54	0501069060	LH CARRYING-WHEELS SUPPORT		01
55	0502010972	ARTICULACION BEARING		03
56	0503011432	BOLT		06
57	0501010065	1" SPRING WASHER		06
58	0503010012	1" SPRING WASHER		06
59	0501010059	1.5/8 NUT		06
60	0503010002	1800 GREASE FITTING		11
61	0502010673	BEARING SEMI		02
62	0501015593	SUPPORT PLATE		01
63	0501042309	1" X 9" AR ASSY BOLT		02
63A	0501010064	1" X 9" BOLT		02
63B	0503010012	1" SPRING WASHER		02
63C	0501010059	1.5/8 NUT		02
64	0503030534	EXTENSION GREASE FITTING		02
65	0501045162	ASSEMBLY CARRYING WHEELS ESTABILIZER		01
66	0521010778	1.25" X 3.15" COUPLING SHAFT		02
67	0501048420	HYDRAULIC CYLINDER		02
68	0521012538	1.2" X 3.5" COUPLING SHAFT		04
69	0501051631	STUB SHAFT & HUB ASSY	3	04
70	0503010899	5/8 UNC X 2.1/4 BOLT		16
71	0503010027	5/8 SPRING WASHER		16
72	0503010013	5/8 NUT		16
73	0503060091	L29.5"X0.63"-10L WHEEL AND		04
74	0511010839	TRANSPORT LOCK 7.9" X 2.1" X 0.4"		02
75	0501068994	8,30 X 78 LOCK PIN		02
76	0501064536	TRANSPORT LOCK		04
77	0501019057	19,5 X 178 PIN		04
78	0503010901	3/4UNC 3.1/2 BOLT		08



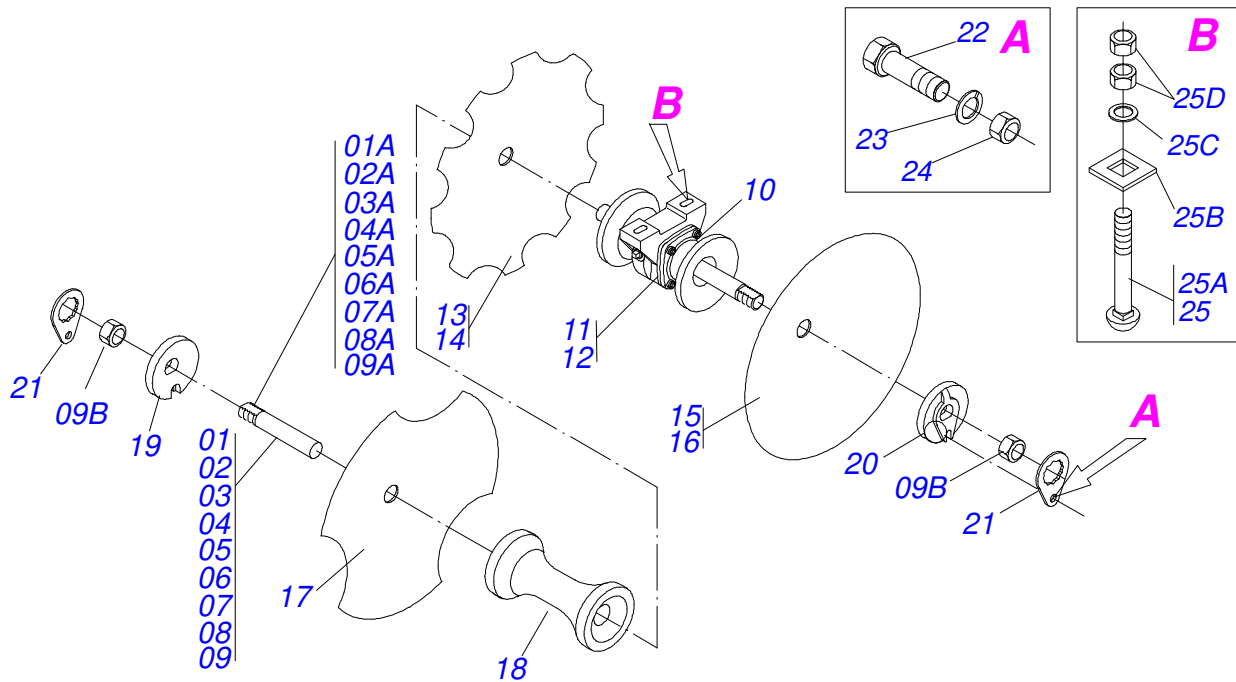
ASSY FRAME 52D

0909091366

Item	Code	Description	See page	52
79	0503010014	3/4" HEX NUT		08
80	0501043620	0.98" ROD STOP FOR 2" CYLINDER		02
81	0501043694	1.18" ROD STOP FOR 2" CYLINDER		02
82	0501043695	1.6" ROD STOP FOR 2" CYLINDER		02
83	0501061045	1" WRENCH CYLINDRICAL		01
84	0501011431	1-3/4" GANG BOLT WRENCH		02
85	0501061609	3/4" WRENCH CABLE CYLINDRICAL		01
86	0511010153	2-5/16" FIXED WRENCH		01
87	0511019921	1.3" X 0.1" X 1" SLEEVE		11



Item	Code	Description	See page	QT
01	0502011121	CARRYING WHEEL HUB		01
02	0503010006	32210 ROLLER BEARING		01
03	0503010037	30207 ROLLER BEARING		01
04	0503012928	SEAL		01
05	0501010127	9/16" X 1-7/8" LUG BOLT		06
06	0503010035	9/16" CONIC NUT		06
07	0501069087	CARRYING-WHEEL FIXATION SUPPORT		01
08	0501016545	FLAT WASHER		01
09	0503030009	1" CASTLE NUT		01
10	0503010018	5/32 X 1-1/2 COTTERPIN		01
11	0502020591	PROTECCION COVER		01
12	0503011444	SPRING WASHER		04
13	0503010358	5/16" X 5/8" BOLT		04
14	0503010002	1800 GREASE FITTING		01

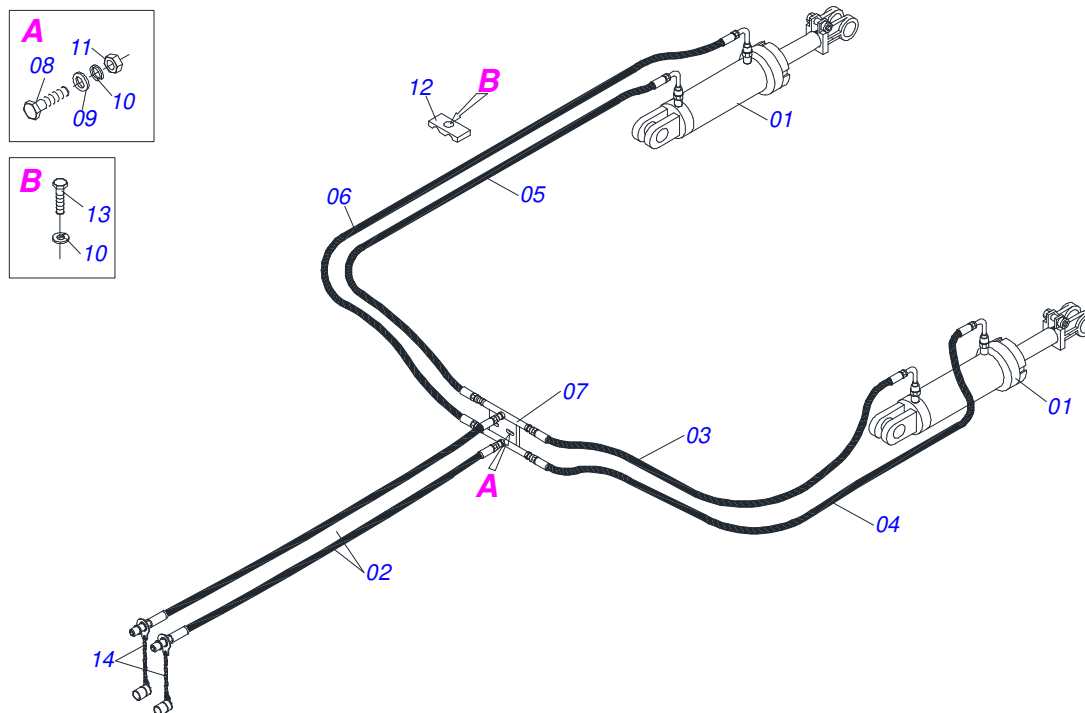


Item	Code	Description	See page	28	32	36	40	44R	48R
01	0501046857	1-5/8" X 61" AXLE WITH NUTS 2-3/4"		02	00	00	00	00	00
01A	0501015632	1-5/8" X 61" AXLE		02	00	00	00	00	00
02	0501046859	1-5/8" X 70" AXLE WITH NUTS 2-3/4"		02	02	00	00	00	00
02A	0501015631	1-5/8" X 70" AXLE		02	02	00	00	00	00
03	0501046860	1-5/8" X 79" AXLE WITH NUTS 2-3/4"		00	02	02	00	00	00
03A	0501015329	1-5/8 X 79" AXLE		00	02	02	00	00	00
04	0501044427	1-5/8" AXLE ASSY		00	02	02	00	00	00
04A	0511013059	1-5/8" X 2235 AXLE		00	02	02	00	00	00
05	0501044429	1-5/8" X 2465 AXLE		00	00	02	02	00	00
05A	0511013535	1.5/8" X 2465 5AXLE		00	00	02	02	00	00
06	0501046810	1.5/ 8X 2700 AXLE		00	00	00	02	00	00
06A	0511016878	1.5/8 X 2700 AXLE		00	00	00	02	00	00
07	0501046853	1-5/8" X 43" AXLE WITH NUTS 2-3/4		00	00	00	00	02	00
07A	0501015029	1-5/8" X 43" AXLE		00	00	00	00	02	00
08	0501046855	1-5/8" X 52" AXLE WITH NUTS 2-3/4		00	00	00	00	02	00
08A	0501015237	1-5/8" X 52" AXLE		00	00	00	00	02	00
09	0501046857	1-5/8" X 61" AXLE WITH NUTS 2-3/4"		00	00	00	00	04	00
09A	0501015632	1-5/8" X 61" AXLE		00	00	00	00	04	00
09B	0502040640	1.5/8" 2.3/4" NUT		08	08	08	08	08	16
10	0511043807	225 X 1.5/8 OIL BATH BEARING W/ WEAR PLATE	9	08	00	12	00	00	00
11	0501043197	8.86" X 1-5/8" OIL BATH BEARING		00	05	05	06	08	00
12	0501043198	8.86" X 1-5/8" OIL BATH BEARING		00	05	05	00	06	08
13	0602033232	DR26X6 C89AF02FR1.11/16 10REC TATU		12	14	16	18	20	22
14	0602030369	24" X 0.2" NOTCHED DISC BLADE		02	02	02	02	02	02
15	0601033215	26"X 0.2" PLAIN DISC BLADE		12	14	16	18	20	22
16	0601031076	26"X 0.2" PLAIN DISC BLADE		02	02	02	02	02	02
17	0602029301	22" X 0.2" NOTCHED DISC BLADE		02	02	02	02	02	02
18	0502010626	8.9" 1-5/8" SPACER		18	20	24	26	30	26
19	0502011047	1-5/8" INNER AXLE WASHER		04	04	04	04	04	08
20	0502011048	1-5/8" EXTERNAL AXLE WASHER		04	04	04	04	04	08
21	0511014339	1-5/8" 2.8" NUT LOCK		08	08	08	08	08	16

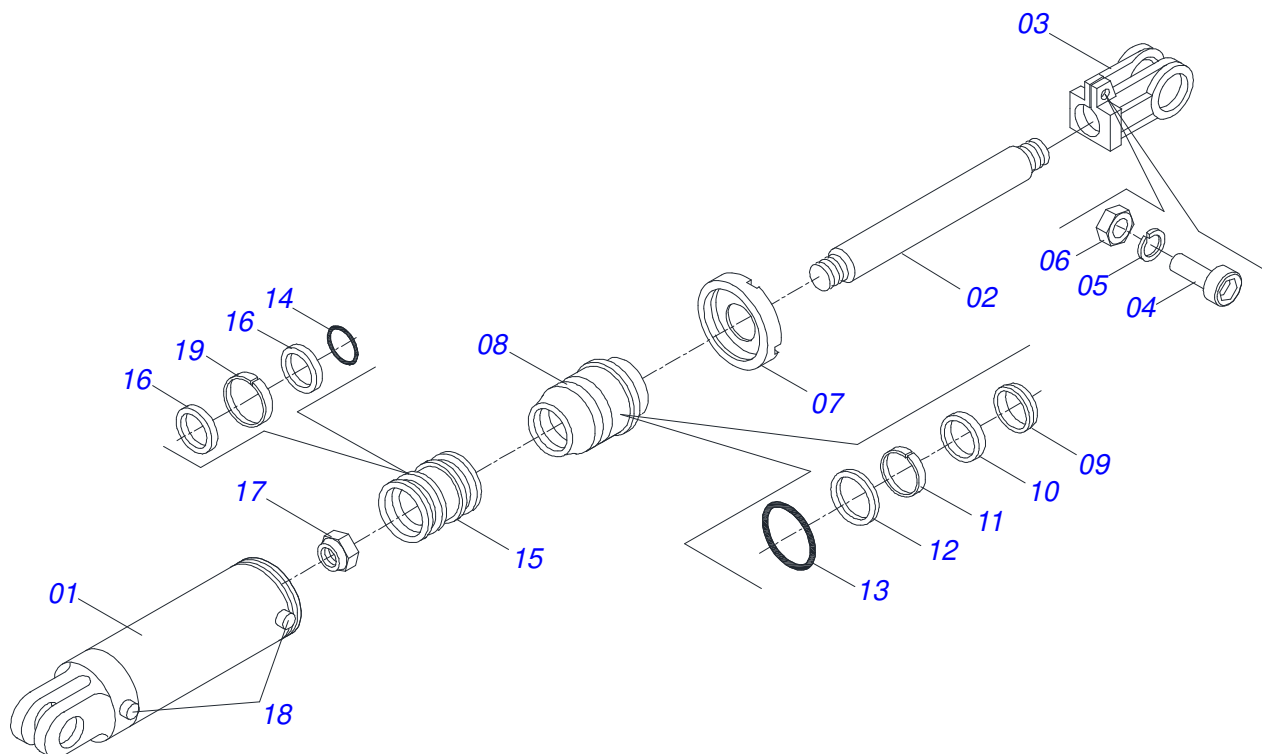


GTD 28/32/36/40/44/48/52D
28/32/36/40/44/48D GANG DISC

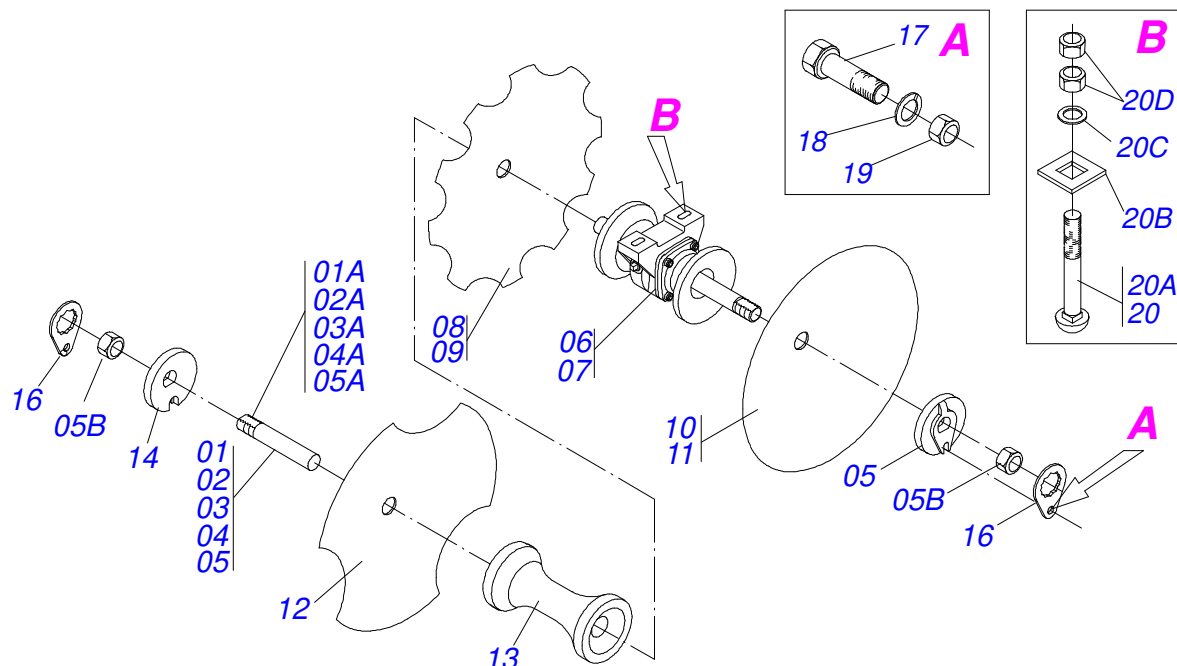
Item	Code	Description	See page	28	32	36	40	44R	48R
22	0503011267	5/8 UNC X 1.1/2 C S G.5 ZN BOLT		08	08	08	08	08	16
23	0503010027	5/8 SPRING WASHER		08	08	08	08	08	16
24	0503010013	5/8 NUT		08	08	08	08	08	16
25	0511040468	3/4" X 4" BOLT ASSY		16	20	20	24	24	32
25A	0501010162	3/4" X 4" BOLT		16	20	20	24	24	32
25B	0501010949	3/4" SQUARE WASHER		16	20	20	24	24	32
25C	0501010322	FLAT WASHER		16	20	20	24	24	32
25D	0503010014	3/4" HEX NUT		32	40	40	48	48	64



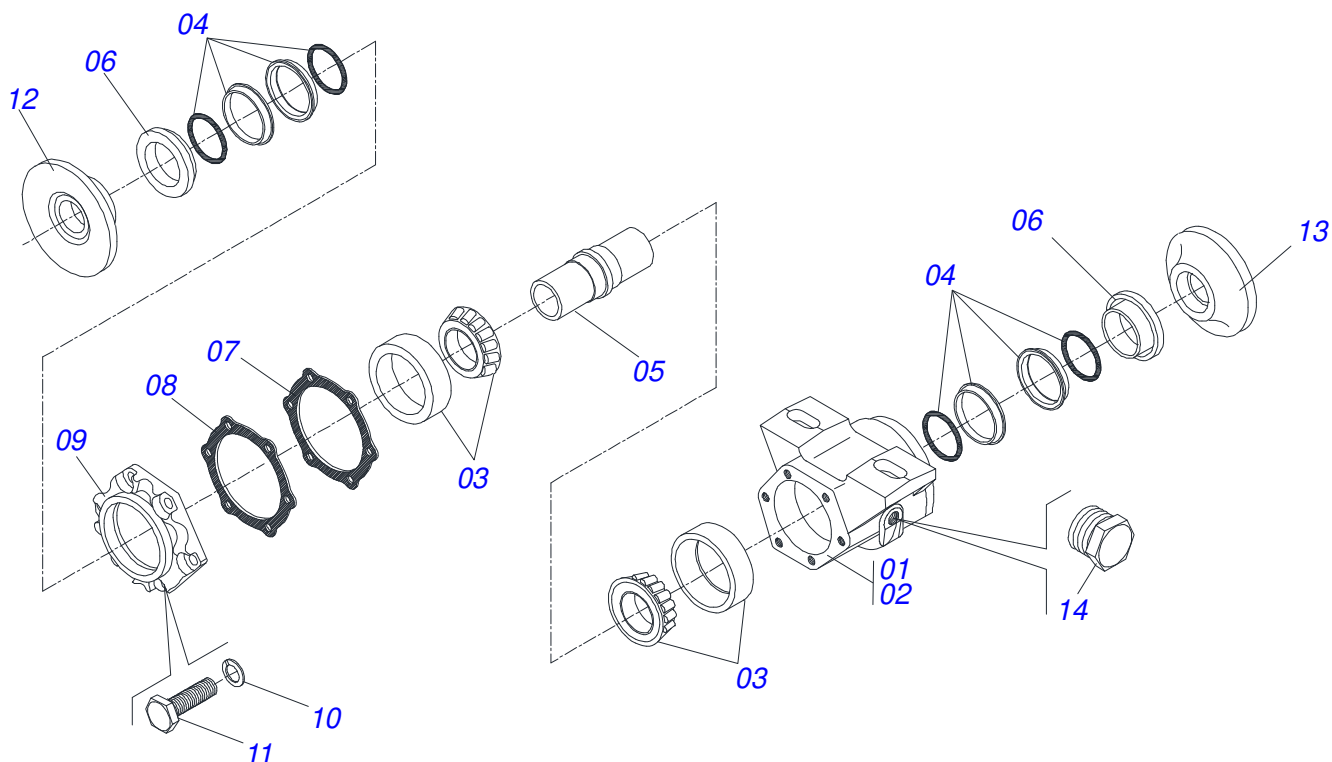
Item	Code	Description	See page	28	32	36	40	44R	48R
01	0501048420	HYDRAULIC CYLINDER		02	02	02	02	02	02
02	0501080361	3/8" X 157" TR-TM HOSE		02	02	02	02	02	02
03	0501080431	TR-TC HOSE ASSY		01	01	01	01	01	01
04	0501080419	3/8" X 82,6" TR-TC HOSE		01	01	01	01	01	01
05	0501080469	3/8" X 98.42" TR-TR HOSE ASSY		01	01	01	01	01	01
06	0501080401	3/8" X 106" TR-TC HOSE		01	01	01	01	01	01
07	0501068706	DOUBLE CONNECTION		01	01	01	01	01	01
08	0501010080	3/8" BOLT		02	02	02	02	02	02
09	0511017302	FLAT WASHER 13,50 X 32,50 X 3,0 ZN		02	02	02	02	02	02
10	0503010025	3/8 SPRING WASHER		07	07	07	07	07	07
11	0503010026	3/8" NUT		02	02	02	02	02	02
12	0502010477	HOSE CLAMP		05	05	05	05	05	05
13	0503010751	C3/8" X 1.1/4" HEX BOLT G.5		05	05	05	05	05	05
14	0501053834	MALE QUICK COUPLER		02	02	02	02	02	02



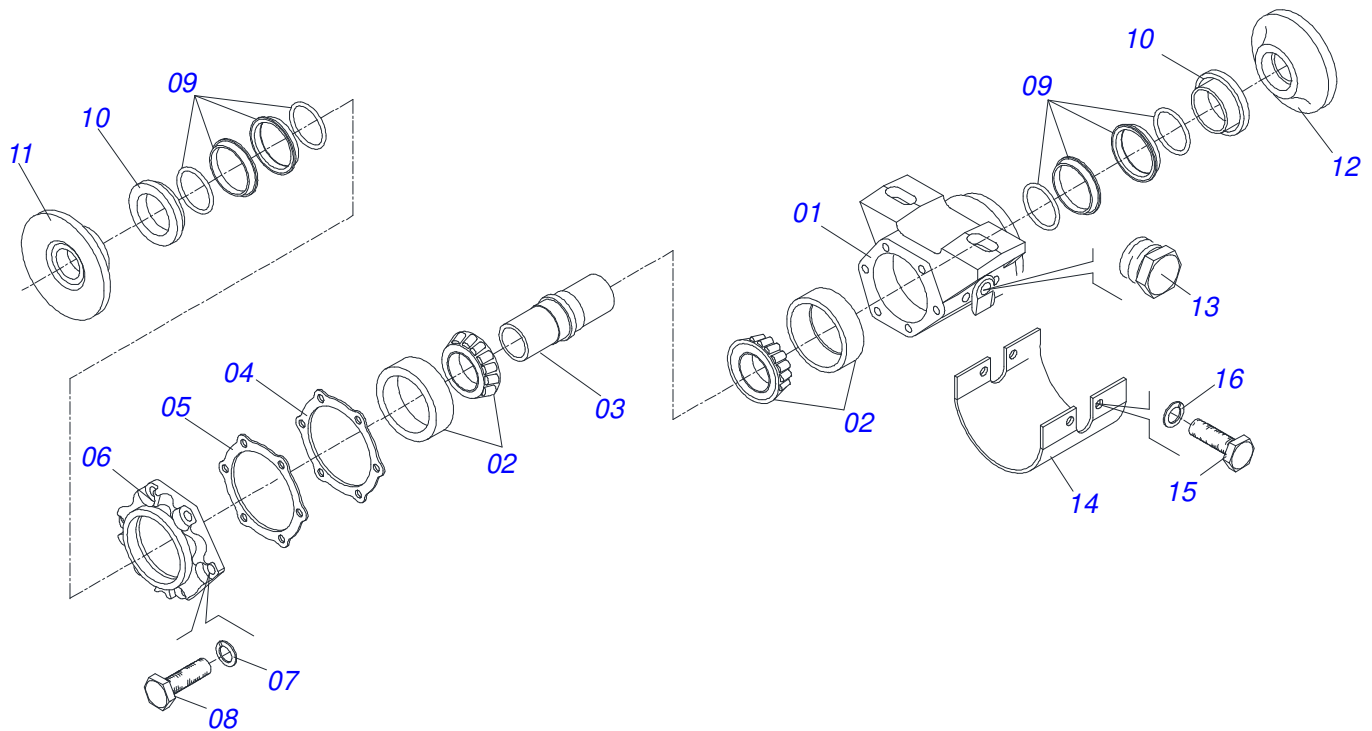
Item	Code	Description	See page	QT
01	0501067019	63,50 X 400 CYLINDER CASE		01
02	0511015417	TURNBUCLE BODY		01
03	0502040493	CLEVIS 26,50 R41		01
04	0503011094	3/8" X 2" BOLT		01
05	0503010025	3/8 SPRING WASHER		01
06	0503010026	3/8" NUT		01
07	0502010471	63,50 MOBILE CAP		01
08	0502010780	RING SUPPORT		01
09	0503010163	D-1500 SCRAPER RING		01
10	0503010989	1870-1500-375-B GASKET		01
11	0503010970	W1-1650-500 PK O'RING G.E		01
12	0503011058	8-330 BACK-UP RING		01
13	0503010161	2-330 N 3006 9B O'RING		01
14	0503010285	2-222 N 3006-9B O'RING		01
15	0502010783	1.5" X 2.5" PISTON		01
16	0503010160	2500 2000 GASKET		02
17	0503010063	1" SELF-ALIGNING NUT		01
18	0503030385	CYLINDER PLUG N-002		02
19	0503010973	W2-2500-500 PK O'RING G.E		01
20	0501035750	HYDRAULIC CYLINDER REPAIR KIT		01



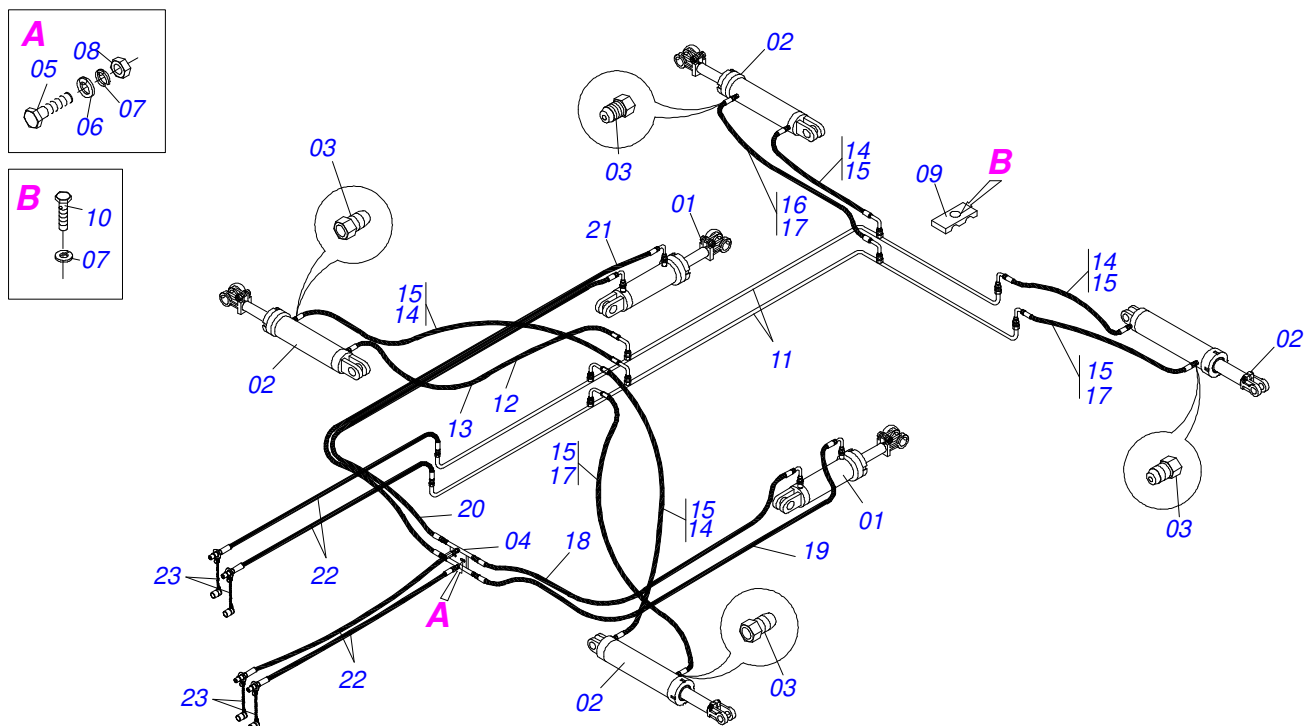
Item	Code	Description	See page	44	48	52
01	0501044423	1.5/8 7FPP X 850 AXLE				02
01A	0511013033	1.5/8 7FPP X 850 AXLE				02
02	0501046853	1-5/8" X 43" AXLE WITH NUTS 2-3/4				02 02 02
02A	0501015029	1-5/8" X 43" AXLE				02 02 02
03	0501046857	1-5/8" X 61" AXLE WITH NUTS 2-3/4"				04 04
03A	0501015632	1-5/8" X 61" AXLE				04 04
04	0501046859	1-5/8" X 70" AXLE WITH NUTS 2-3/4"				04
04A	0501015631	1-5/8" X 70" AXLE				04
05	0501046855	1-5/8" X 52" AXLE WITH NUTS 2-3/4				02 02
05A	0501015237	1-5/8" X 52" AXLE				02 02
05B	0502040640	1.5/8" 2.3/4" NUT				08 08 08
06	0501043197	8.86" X 1-5/8" OIL BATH BEARING				08 08 08
07	0501043198	8.86" X 1-5/8" OIL BATH BEARING				08 08 08
08	0602033232	DR26X6 C89AF02FR1.11/16 10REC TATU				20 22 24
09	0602030369	24" X 0.2" NOTCHED DISC BLADE				02 02 02
10	0601033215	26" X 0.2" PLAIN DISC BLADE				20 22 24
11	0601031076	26" X 0.2" PLAIN DISC BLADE				02 02 02
12	0602029301	22" X 0.2" NOTCHED DISC BLADE				02 02 02
13	0502010626	8.9" 1-5/8" SPACER				22 26 30
14	0502011047	1-5/8" INNER AXLE WASHER				08 08 08
15	0502011048	1-5/8" EXTERNAL AXLE WASHER				08 08 08
16	0511014339	1-5/8" 2.8" NUT LOCK				16 16 16
17	0503011267	5/8 UNC X 1.1/2 C S G.5 ZN BOLT				16 16 16
18	0503010027	5/8 SPRING WASHER				16 16 16
19	0503010013	5/8 NUT				16 16 16
20	0511040468	3/4" X 4" BOLT ASSY				32 32 32
20A	0501010162	3/4" X 4" BOLT				32 32 32
20B	0501010949	3/4" SQUARE WASHER				32 32 32
20C	0501010322	FLAT WASHER				32 32 32
20D	0503010014	3/4" HEX NUT				64 64 64



Item	Code	Description	See page	QT
00	0501043197	8.86" X 1-5/8" OIL BATH BEARING		01
00A	0501043198	8.86" X 1-5/8" OIL BATH BEARING		01
01	0502020481	HOUSING DM		01
02	0502020482	HOUSING DM		01
03	0503010005	32212 ROLLER BEARING		02
04	0503030027	DUO-CONE SEAL		02
05	0502010899	AXLE CM/DM		01
06	0502040287	SEAL RETAINER		02
07	0503030685	5.5" X 4.4" X 0.003" GASKET		01
08	0503030030	5.6" X 4.4" X 0.01" GASKET		02
09	0502020161	WEAR PLATE BEARING		01
10	0503011443	3/8" SPRING WASHER		06
11	0503011087	3/8" X 1" BOLT		06
12	0502040239	OUTER FLANGE		01
13	0502040240	INNER FLANGE		01
14	0503010856	OIL PLUG		01



Item	Code	Description	See page	QT
001	0502020633	HOUSING BEARING	01	
002	0503010005	32212 ROLLER BEARING	02	
003	0502010899	AXLE CM/DM	01	
004	0503030030	5.6" X 4.4" X 0.01" GASKET	03	
005	0503030685	5.5" X 4.4" X 0.003" GASKET	02	
006	0502020161	WEAR PLATE BEARING	01	
007	0503011443	3/8" SPRING WASHER	06	
008	0503010237	3/8" X 1" BOLT	06	
009	0503030027	DUO-CONE SEAL	02	
010	0502040287	SEAL RETAINER	02	
011	0502040239	OUTER FLANGE	01	
012	0502040240	INNER FLANGE	01	
013	0503010856	OIL PLUG	02	
014	0521012933	BEARING WEAR PLATE	01	
015	0503011401	1/2" X 3/4" BOLT	04	
016	0503010019	1/2" SPRING WASHER	04	
017	3402301247	MINERAL OIL GREASE	00	



Item	Code	Description	See page	44	48	52
01	0501048420	HYDRAULIC CYLINDER		02	02	02
02	0501044313	HYDRAULIC CYLINDER 38,1 X 63,5 X 800 X 400	6	04	04	04
03	0511018012	HIDRAULIC ADAPTER		04	04	04
04	0501068706	DOUBLE CONNECTION		01	01	01
05	0501010080	3/8" BOLT		02	02	02
06	0511017302	FLAT WASHER 13,50 X 32,50 X 3,0 ZN		02	02	02
07	0503010025	3/8 SPRING WASHER		10	10	10
08	0503010026	3/8" NUT		02	02	02
09	0502010477	HOSE CLAMP		08	08	08
10	0503010851	7/16" X 3.1/2" BOLT		08	08	08
11	0501066138	ARTICULATION TUBE		02	02	02
12	0501080375	3/8" X 23,6" TR-TC HOSE		01	01	00
13	0501080150	3/8 X 800 TR-TC HOSE		00	00	01
14	0501080396	3/8" X 45" HOSE		04	04	00
15	0501080436	3/8" X 62" TR-TC HOSE		02	02	04
16	0501080402	HOSE 3/8 X 1700 TR-TC		01	01	00
17	0501080461	3/8" X 70" TR-TC HOSE		00	03	00
18	0501080431	TR-TC HOSE ASSY		01	01	01
19	0501080419	3/8" X 82,6" TR-TC HOSE		01	01	01
20	0501080469	3/8" X 98.42" TR-TR HOSE ASSY		01	01	01
21	0501080401	3/8" X 106" TR-TC HOSE		01	01	01
22	0501080361	3/8" X 157" TR-TM HOSE		04	04	04
23	0501053834	MALE QUICK COUPLER		04	04	04



MARCHESAN

Technical Publications | Elaboration and Revision

ALESSANDRA PATRICIA KAWAHARA CARRILI

www.marchesan.com.br

