

AUXILIARY PRODUCTS

STA³/STA³DT/STA³T

Code: 0501091259

Series: S-1201

Revision: 00

Date Revision: MAIO/2021

PARTS CATALOGUE



MARCHESAN



PRODUCTS

Code	Description
0113010052	STA-3 RASPADEIRA AGR C/PN S-1201
0113010061	STA-3 RASPADEIRA AGR PN 1100 S-1201
0113010009	STA-3 RASPADEIRA AGR PN CACAMBA RT S-1201
0113010053	STA-3 RASPADEIRA AGR PR S-1201
0113010057	STA-3 RASPADEIRA AGR S/PNEU/RODA S-1201
0113010054	STA-3 RASPADEIRA AGR S/PNEUS S-1201
0113010055	STA-3DT RASPADEIRA AGR PN S-1201
0113010056	STA-3DT RASPADEIRA AGR S/PNEUS S-1201
0113010058	STA-3T RASPADEIRA AGR PN S-1201
0113010059	STA-3T RASPADEIRA AGR PR S-1201
0113010060	STA-3T RASPADEIRA AGR S/PNEU S-1201

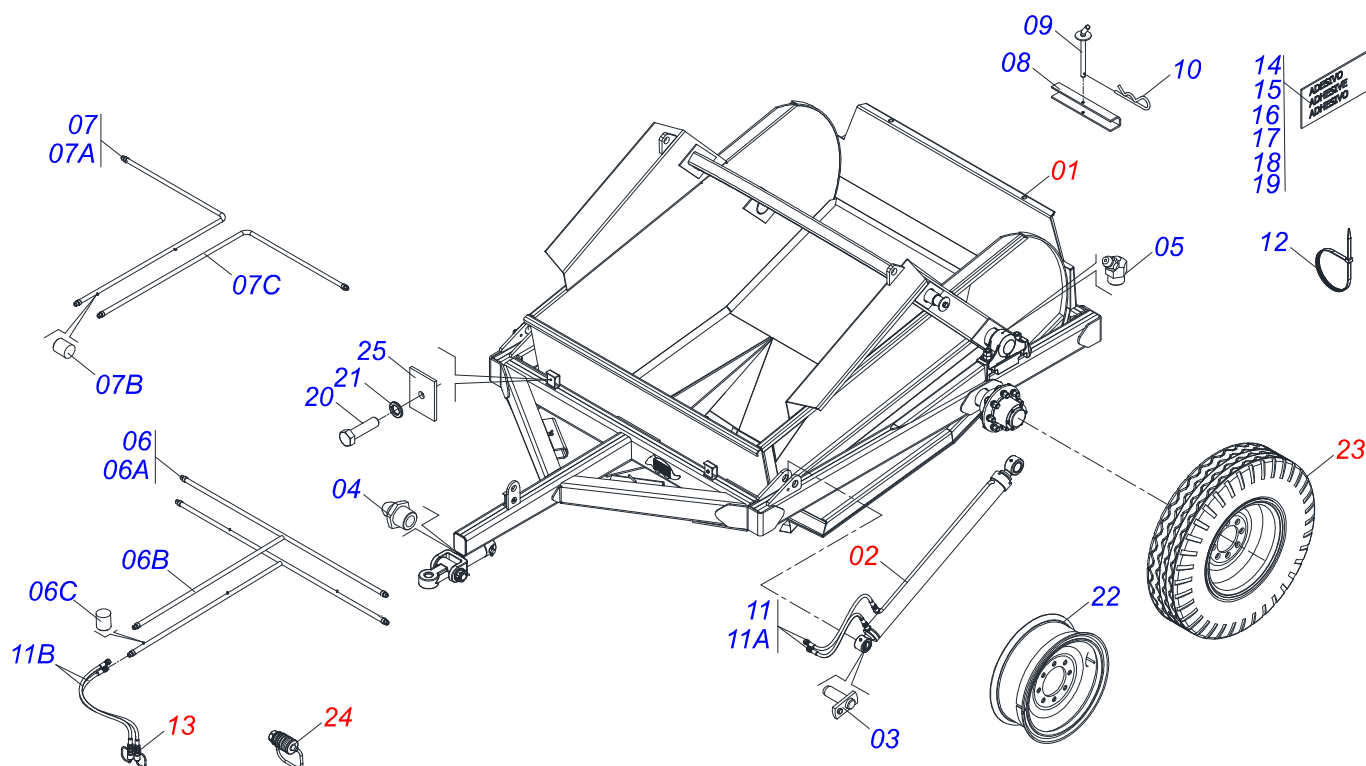
ATTENTION: IMPORTANT

Marchesan S.A. reserves the right to improve and / or modify the technical features of its products, without obligation to do the same with those products already sold and without prior knowledge of the dealer or the consumer.



INDEX

0909090370	ASSY FRAME STA ³ /STA ³ DT/STA ³ T	1
0501056354	FRAME SEMI MOUNTED	2
0501056355	FRAME SEMI MOUNTED	3
0501059051	FRAME SEMI MOUNTED	4
0501050226	FLIP ASSY	5
0501052497	CARRYING WHEEL HUB ASSY	6
0511050685	ASSY HITCH	7
0501049597	1.7" X 32" X 48" X 37" HYDRAULIC CYLINDER	8
0501053834	MALE QUICK COUPLER WITH CAP - 1/2 NPT	9
0503060213	35.4"X0.80"-14L WHEEL AND TIRE ASSY	10
0503060510	WHEEL AND TIRE	11
0501053835	FEMALE QUICK COUPLER	12

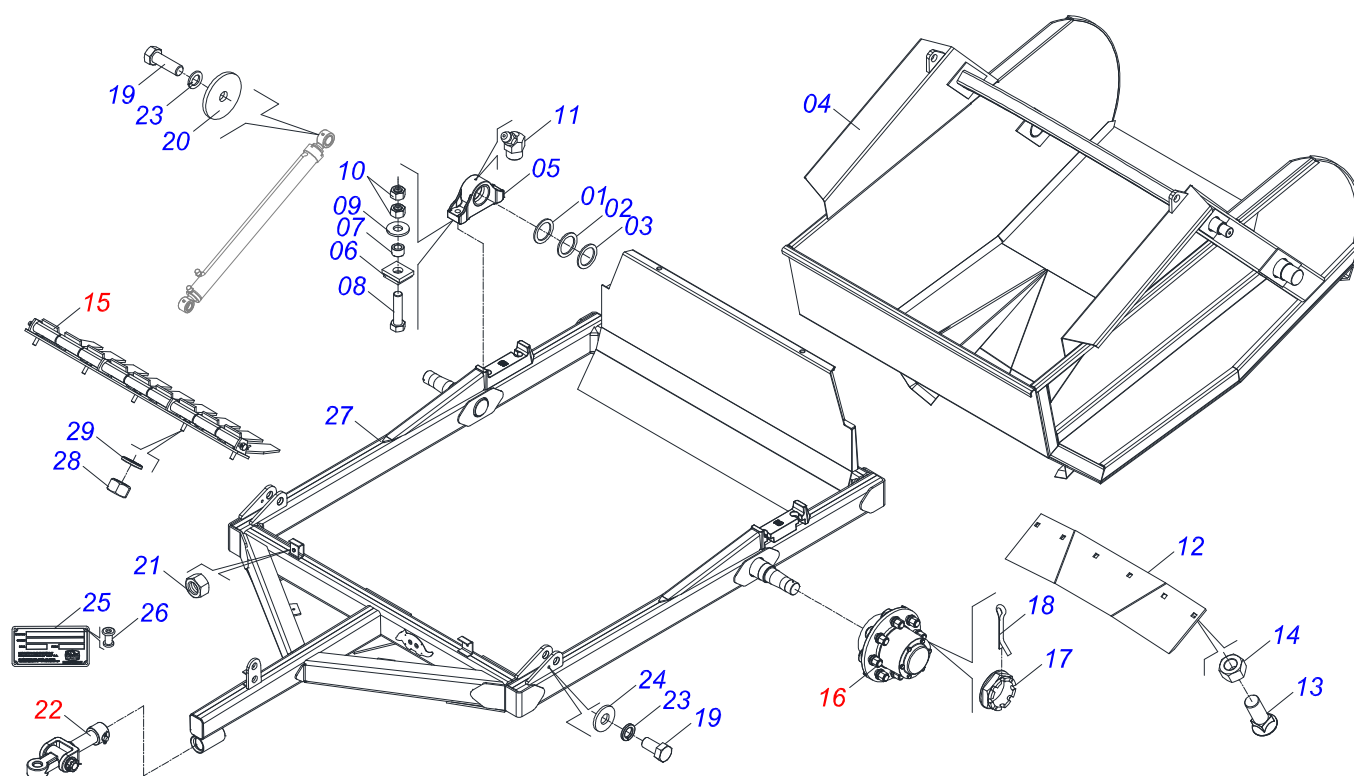


Item	Code	Description	See page	STA ³	STA ³ DT	STA ³ T
01	0501056354	FRAME SEMI MOUNTED	2	001	000	000
01.	0501056355	FRAME SEMI MOUNTED	3	000	001	000
01..	0501059051	FRAME SEMI MOUNTED	4	000	000	001
02	0501049597	1.7" X 32" X 48" X 37" HYDRAULIC CYLINDER	8	002	002	002
03	0511062927	1.5" X 4.9" PIVOT SHAFT		002	002	002
04	0503010002	1800 GREASE FITTING		002	002	002
05	0503010003	1845 GREASE FITTING		002	002	002
06	0501069037	CONNECTOR		001	001	001
06A	0501070639	DUCT OIL DISTRIBUTOR		001	001	001
06B	0501070640	DUCT OIL DISTRIBUTOR		001	001	001
06C	0511011495	AXLE		004	004	004
07	0501069066	CONNECTOR		000	000	001
07A	0501070476	DISTRIBUTOR BODY		000	000	001
07B	0511011495	AXLE		000	000	002
07C	0501070477	DISTRIBUTOR BODY		000	000	001
08	0511017591	10.6" X 1.9" TRANSPORT LOCK		002	002	002
09	0501068994	0.3" X 3.1" LOCK PIN		002	002	002
10	0503030168	HAIR PIN		002	002	002
11	0501051066	HOSE KIT		001	001	001
11A	0501080189	1/2" X 28" TR-TR HOSE ASSY		004	004	004
11B	0501080072	1/2" X 63" TR-TM HOSE ASSY		002	002	002
12	0503013527	CLAMP ZIPER		004	004	004
13	0501053834	MALE QUICK COUPLER WITH CAP - 1/2 NPT	9	002	002	002
14	0503060915	SET LABEL ADHESIVE		001	001	001
15	0503031428	READ MANUAL DECAL		001	001	001
16	0503031087	ADHESIVE LABEL		001	001	001
17	0503031827	LUBRICATE AND RETIGHTEN DAILY DECAL		001	001	001
18	0503034078	LIFTING POINTS DECAL		003	003	003
19	0503034078	LIFTING POINTS DECAL		003	003	003
20	0501810096	HOSE		002	002	002
21	0503011443	3/8" SPRING WASHER		002	002	002

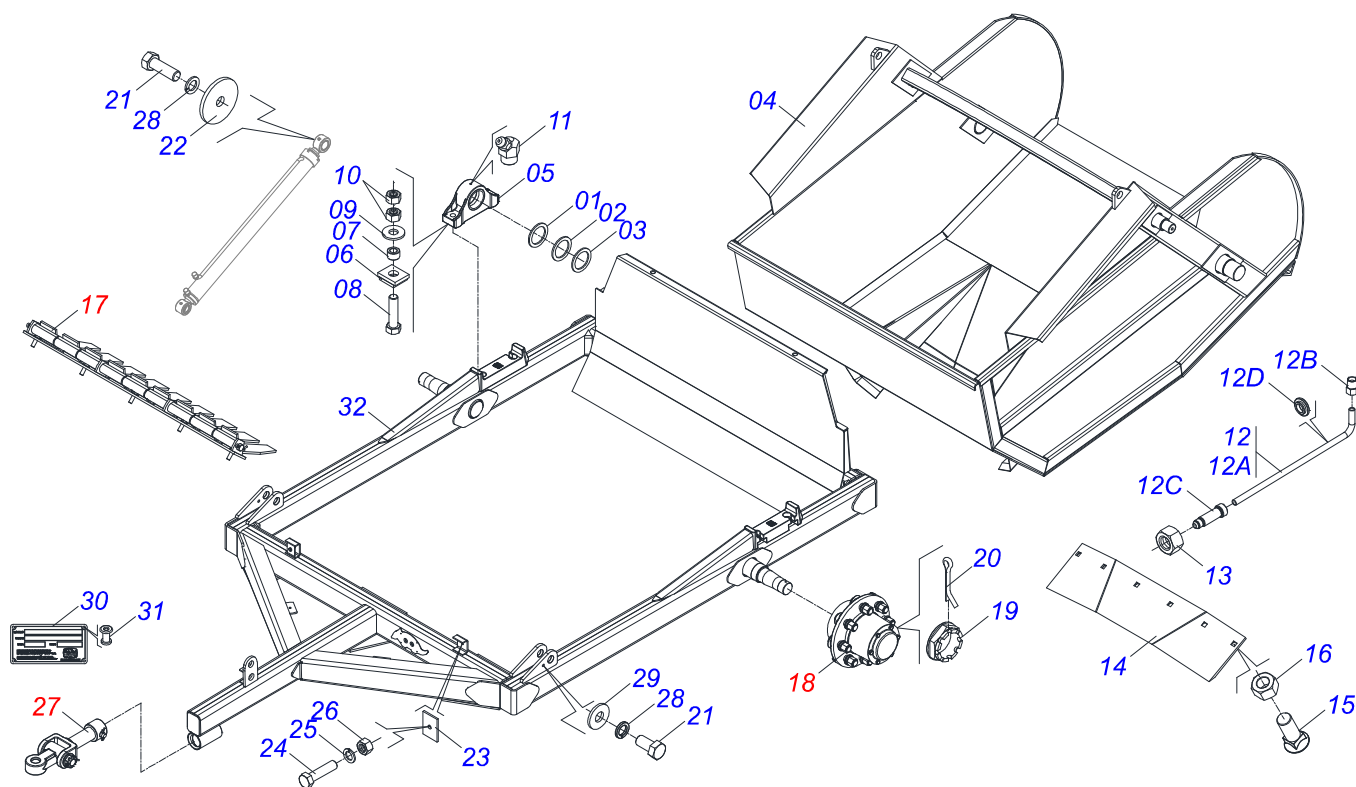


STA³/STA³DT/STA³T
ASSY FRAME STA³/STA³DT/STA³T

Item	Code	Description	See page	STA ³	STA ³ DT	STA ³ T
22	0501068263	2.6"X0.8"X6.0"X 8F0. 9"X8.0" WHEEL		002	002	002
23	0503060213	35.4"X0.80"-14L WHEEL AND TIRE ASSY	10	002	002	002
23.	0503060510	WHEEL AND TIRE	11	000	000	004
24	0501053835	FEMALE QUICK COUPLER	12	002	002	002
25	0501013439	PLATE WITH SUPPORT		002	000	000



Item	Code	Description	See page	QT
01	0531014846	FLAT WASHER		02
02	0531015317	FLAT WASHER		02
03	0531015318	FLAT WASHER		01
04	0511063790	BUCKET		01
05	0501110081	BEARING ASSY WITH BUSHING		02
06	0511064919	BEARING SUPPORT CHOCK		04
07	0521010967	SLEEVE		04
08	0503012925	7/8" X 5" BOLT		04
09	0501010076	FLAT WASHER		04
10	0503010558	7/8" NUT		08
11	0503010003	1845 GREASE FITTING		02
12	0622360019	SCRAPER STA		01
13	0501012239	5/8" X 1.3/4" BOLT		06
14	0503010013	5/8" NUT		06
15	0501050226	FLIP ASSY	5	01
16	0501052497	CARRYING WHEEL HUB ASSY	6	02
17	0502040080	2.1/2" SLOTTED NUT		02
18	0503012231	1/4" X 3" COTTERPIN		02
19	0503011267	BOLT 5/8 UNC X 1.1/2 C S G.5 ZN		04
20	0501010145	FLAT WASHER		02
21	0503010026	3/8" NUT		03
22	0511050685	ASSY HITCH	7	01
23	0503011445	SPRING WASHER		10
24	0501012140	FLAT WASHER		02
25	0503034003	SERIAL NUMBER TAG 61 X 118		01
26	0503010001	3.2 X 5.5 RIVET		04
27	0511063393	REAR FRAME		01
28	0503012682	1/2" BSW NUT		05
29	0503011440	SPRING WASHER		05
30	1882970002	GREASE SOAP		00
31	1882970002	GREASE SOAP		00



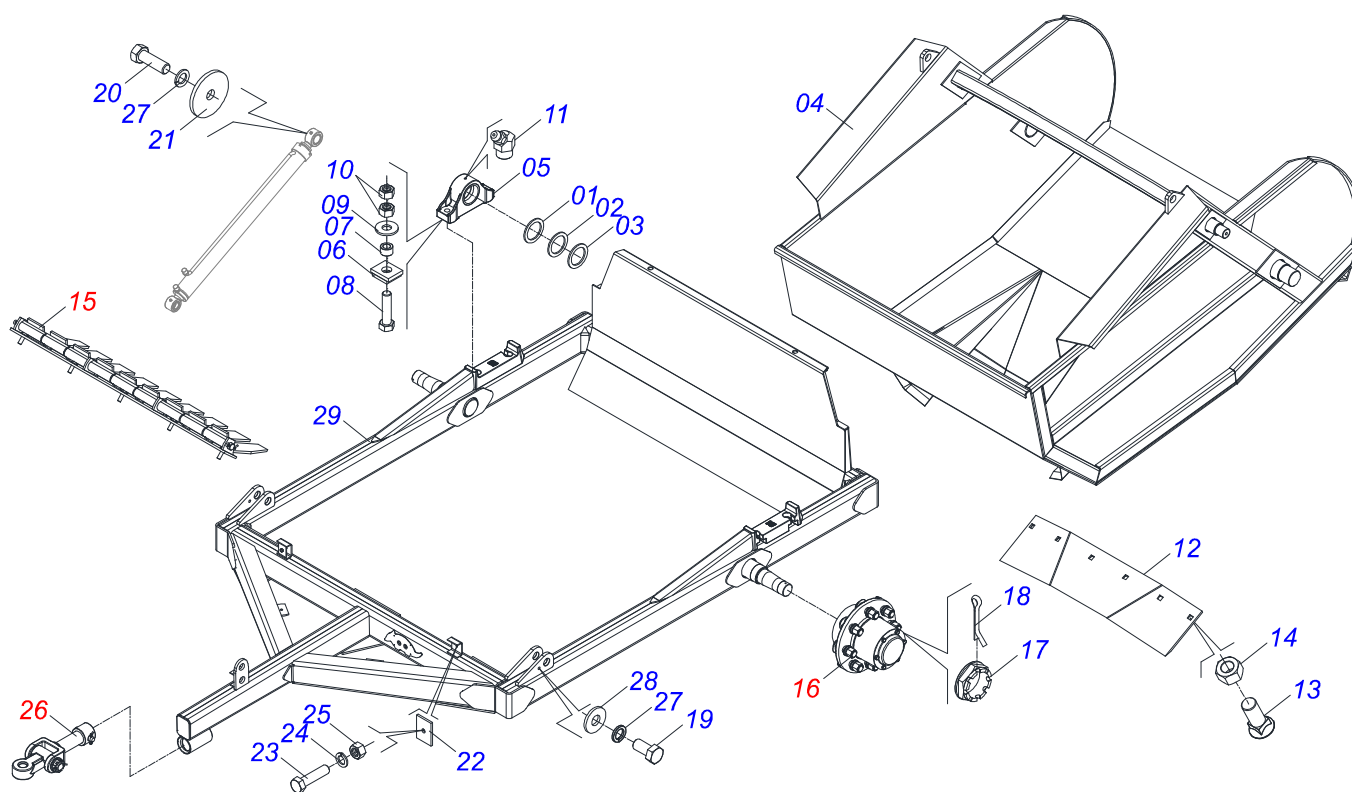
Item	Code	Description	See page	QT
01	0531014846	FLAT WASHER		02
02	0531015317	FLAT WASHER		02
03	0531015318	FLAT WASHER		01
04	0511063790	BUCKET		01
05	0501110081	BEARING ASSY WITH BUSHING		02
06	0511064919	BEARING SUPPORT CHOCK		04
07	0521010967	SLEEVE		04
08	0503012925	7/8" X 5" BOLT		04
09	0501010076	FLAT WASHER		04
10	0503010558	7/8" NUT		08
11	0503010003	1845 GREASE FITTING		02
12	0511062940	7/8" X 97" TUBE		02
12A	0531012713	DUCT BODY		01
12B	0501014832	TERMINAL		01
12C	0531012711	TUBE		01
12D	0531012712	SUPPORT SLEEVE		01
13	0531012742	1" UNF NUT		02
14	0622360019	SCRAPER STA		01
15	0501012239	5/8" X 1.3/4" BOLT		06
16	0503010013	5/8" NUT		06
17	0501050226	FLIP ASSY	5	01
18	0501052497	CARRYING WHEEL HUB ASSY	6	02
19	0502040080	2.1/2" SLOTTED NUT		02
20	0503012231	1/4" X 3" COTTERPIN		02
21	0503011267	BOLT 5/8 UNC X 1.1/2 C S G.5 ZN		04
22	0501010145	FLAT WASHER		02
23	0501013439	PLATE WITH SUPPORT		03
24	0501010096	3/8" X 2" BOLT		03
25	0503011443	3/8" SPRING WASHER		03
26	0503010026	3/8" NUT		03
27	0511050685	ASSY HITCH	7	01



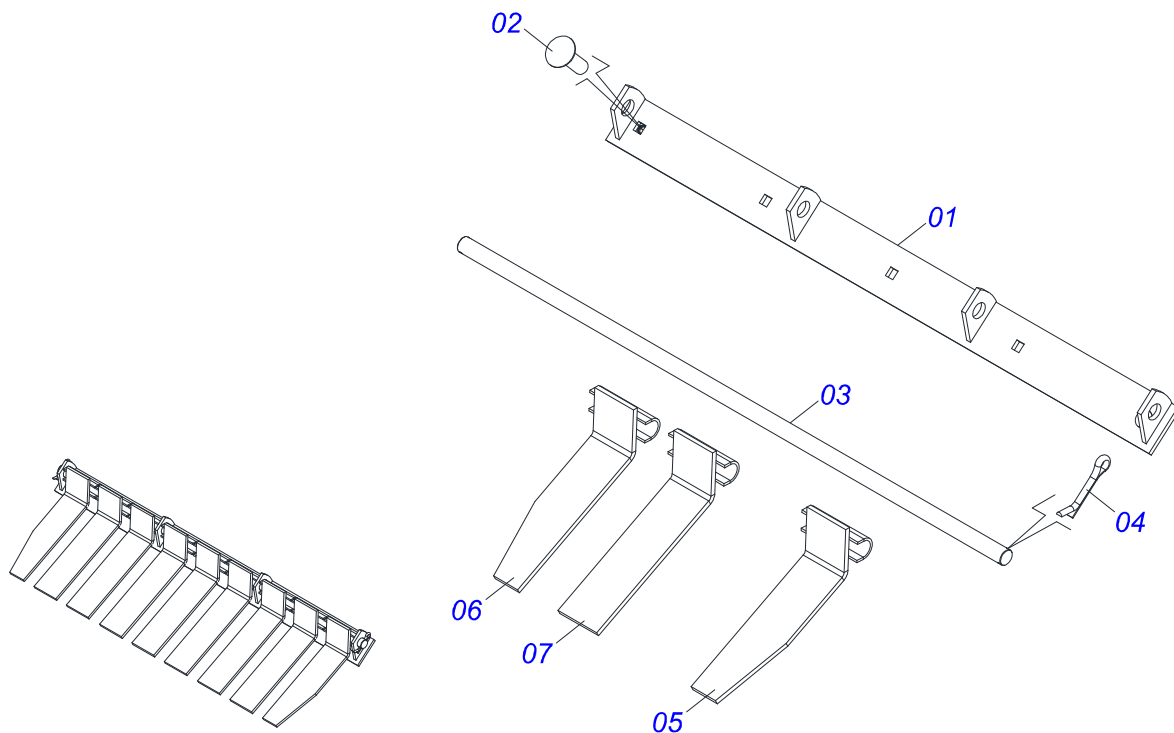
STA³/STA³DT/STA³T
FRAME SEMI MOUNTED

Page 3
0501056355

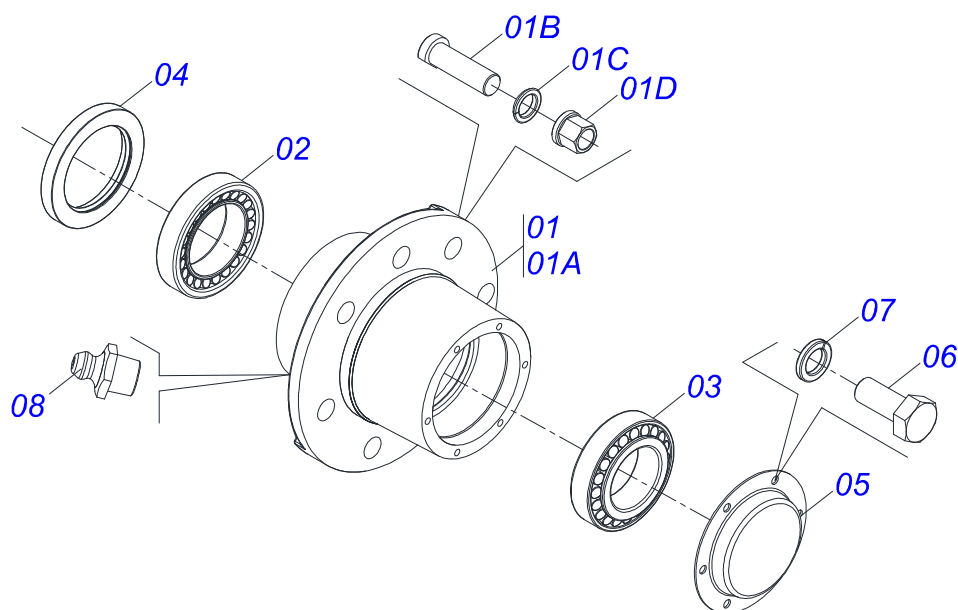
Item	Code	Description	See page	QT
28	0503011445	SPRING WASHER		10
29	0501012140	FLAT WASHER		02
30	0503034003	SERIAL NUMBER TAG 61 X 118		01
31	0503010001	3.2 X 5.5 RIVET		04
32	0511063392	FRONT FRAME		01
33	1882970002	GREASE SOAP		00
34	1882970002	GREASE SOAP		01



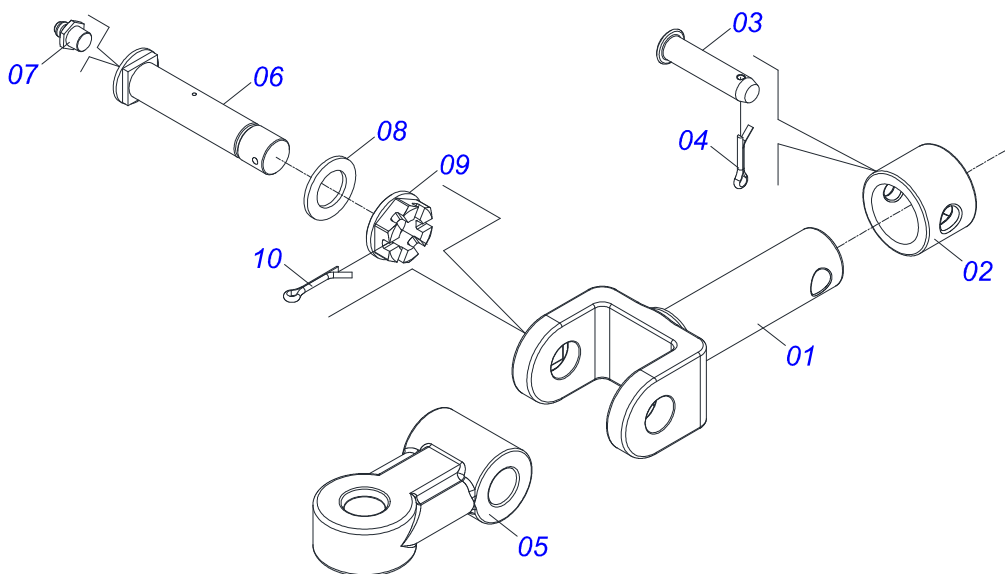
Item	Code	Description	See page	QT
01	0531014846	FLAT WASHER		02
02	0531015317	FLAT WASHER		02
03	0531015318	FLAT WASHER		01
04	0511062918	BUCKET		01
05	0501110081	BEARING ASSY WITH BUSHING		02
06	0511064919	BEARING SUPPORT CHOCK		04
07	0521010967	SLEEVE		04
08	0503012925	7/8" X 5" BOLT		04
09	0501010076	FLAT WASHER		04
10	0503010558	7/8" NUT		08
11	0503010003	1845 GREASE FITTING		02
12	0622360019	SCRAPER STA		01
13	0501012239	5/8" X 1.3/4" BOLT		06
14	0503010013	5/8" NUT		06
15	0501052496	FLIP ASSY		01
16	0501052497	CARRYING WHEEL HUB ASSY	6	02
17	0502040080	2.1/2" SLOTTED NUT		02
18	0503012231	1/4" X 3" COTTERPIN		02
19	0503010962	5/8" X 1-1/4" BOLT		02
20	0503011267	BOLT 5/8 UNC X 1.1/2 C S G.5 ZN		02
21	0501010145	FLAT WASHER		02
22	0501013439	PLATE WITH SUPPORT		03
23	0501010096	3/8" X 2" BOLT		03
24	0503011443	3/8" SPRING WASHER		03
25	0503010026	3/8" NUT		03
26	0511050685	ASSY HITCH	7	01
27	0503011445	SPRING WASHER		20
28	0501012140	FLAT WASHER		02
29	0511063393	REAR FRAME		01
30	1882970002	GREASE SOAP		00
31	1882970002	GREASE SOAP		00



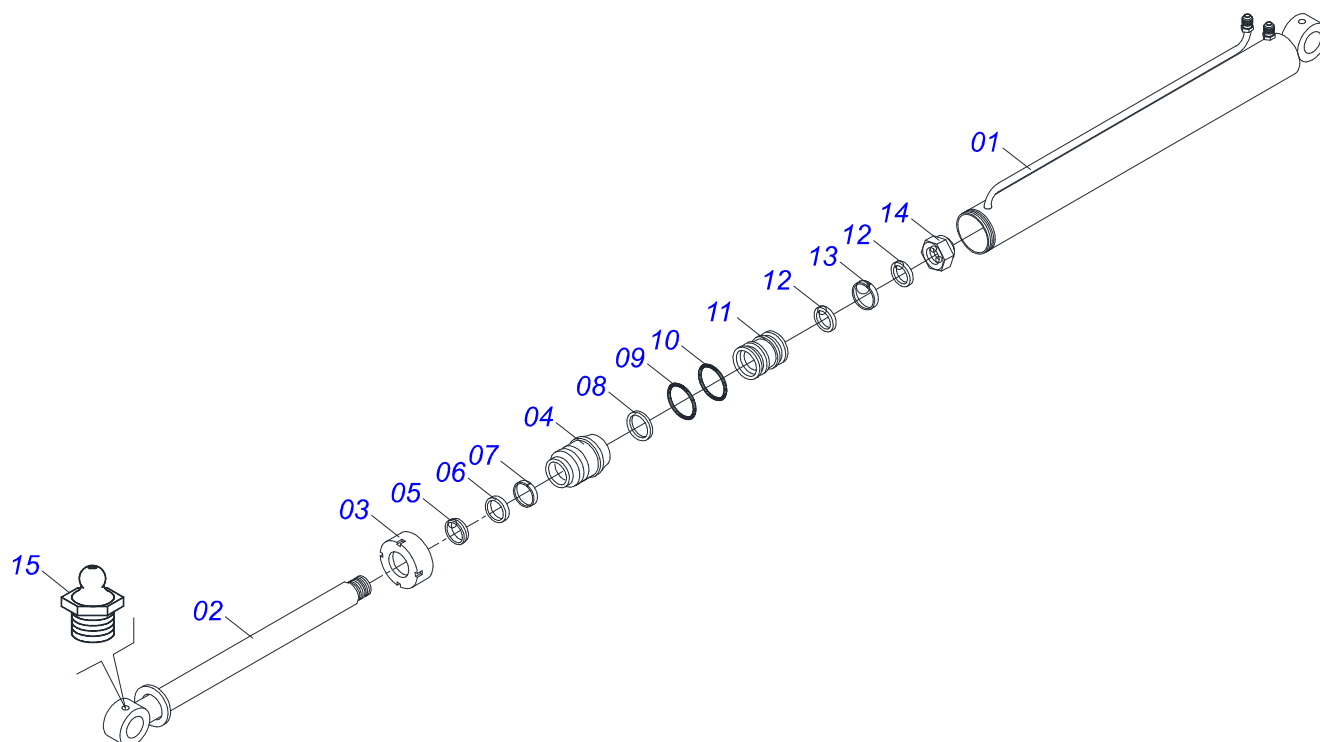
Item	Code	Description	See page	QT
01	0501063158	COVER SUPPORT		01
02	0501010243	1/2" X 1-1/2" BOLT		05
03	0501015053	COVER SHAFT		01
04	0503010571	1/4" X 1.1/2 COTTERPIN		02
05	0501063707	RIGHT SECTION SUPPORT		01
06	0501063706	LEFT SECTION SUPPORT		01
07	0501063159	SECTION SUPPORT		07



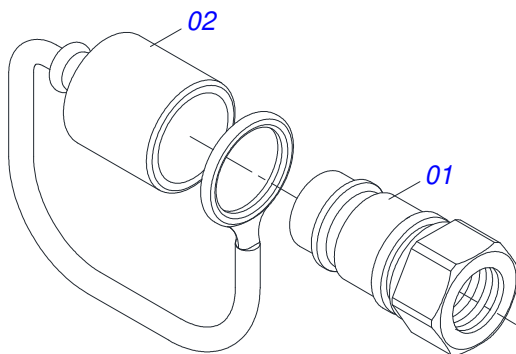
Item	Code	Description	See page	QT
01	0501110751	HUB AND SPINDLE WITH BOLT		01
01A	0502040522	HUB CARRYING-WHEELS		01
01B	0503011339	M22 X 1,5 X 72 BOLT		08
01C	0503011340	SPHERICAL SPRING WASHER		08
01D	0503011341	M22 X 0.6" NUT GR8 NUT		08
02	0503010059	33287/33462 ROLLER BEARING		01
03	0503010007	3982/3920 ROLLER BEARING		01
04	0503010050	SEAL 00085-B		01
05	0541013225	WHEEL BOX COVER		01
06	0503010240	5/16" X 3/4" BOLT		06
07	0503011444	SPRING WASHER		06
08	0503010002	1800 GREASE FITTING		01



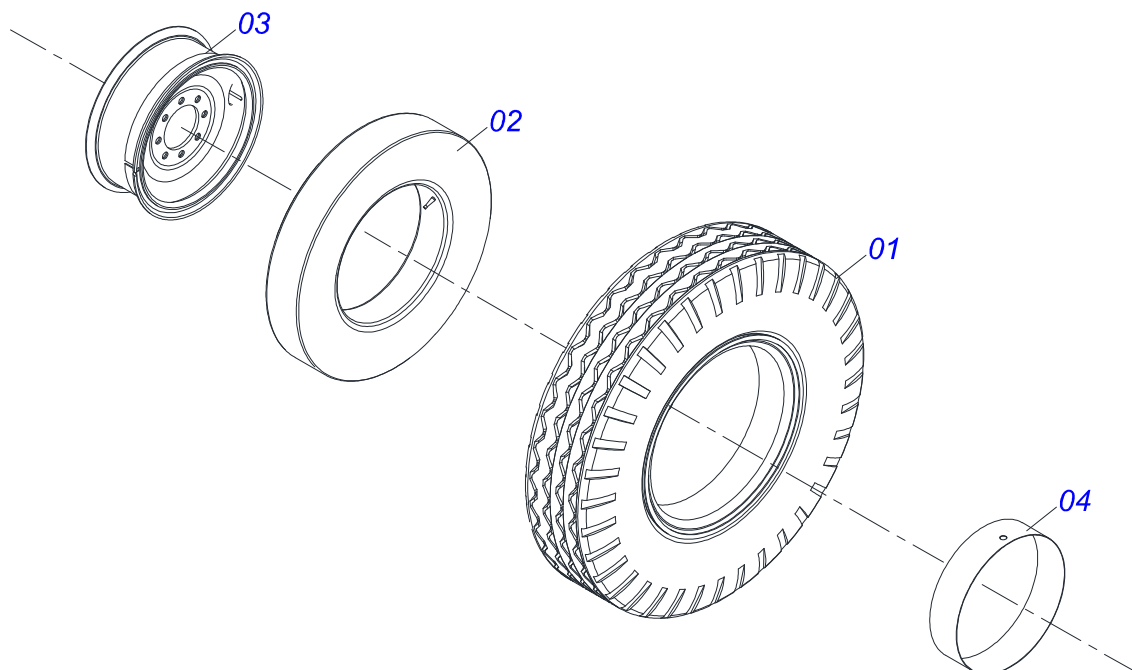
Item	Code	Description	See page	QT
01	1902040822	U HITCH TRACTOR		01
02	1902040327	LOCK SLEEVE		01
03	0521010578	COUPLING SHAFT		01
04	0503010571	1/4" X 1.1/2 COTTERPIN		01
05	1902040821	TRACTOR HITCH BODY		01
06	0521012827	1.5" X 7.4" PIVOT SHAFT		01
07	0503010002	1800 GREASE FITTING		01
08	0501012916	FLAT WASHER 38,50 X 66 X 4,75 ZN		01
09	0501011301	1.1/2 UNC 6FPP 2.5/16 NUT		01
10	0503010010	1/4" X 2.1/2" COTTERPIN		01



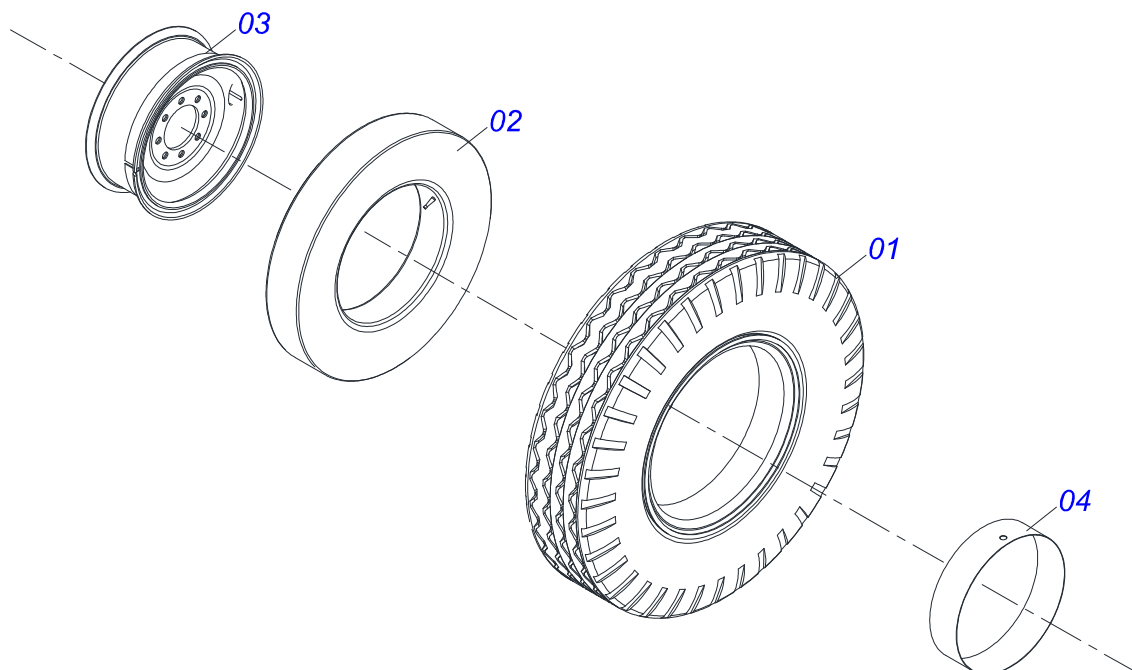
Item	Code	Description	See page	QT
01	0511061941	3" X 44" CYLINDER CASE		01
02	0501068959	HYDRAULIC CYLINDER TURNBUCKLE		01
03	0502011899	MOBILE COVER		01
04	0502011898	1.8" X 3.0" PISTON		01
05	0503010761	D-1750 SCRAPER RING		01
06	0503010990	GASKET		01
07	0503010949	W2-2000-500 PK RING G.E		01
08	0503011059	8-334 BACK-UP RING		01
09	0503010343	2-334 N 3006-9B O'RING		01
10	0503010345	2-218 N 3006-9B O'RING		01
11	0502011897	RING SUPPORT		01
12	0503012768	3750-2250 GASKET		02
13	0503010992	W2-3000-500 PK RING G.E		01
14	0503010063	1" SELF-ALIGNING NUT		01
15	0503010002	1800 GREASE FITTING		02
16	0501033655	HYDRAULIC CYLINDER REPAIR KIT		01



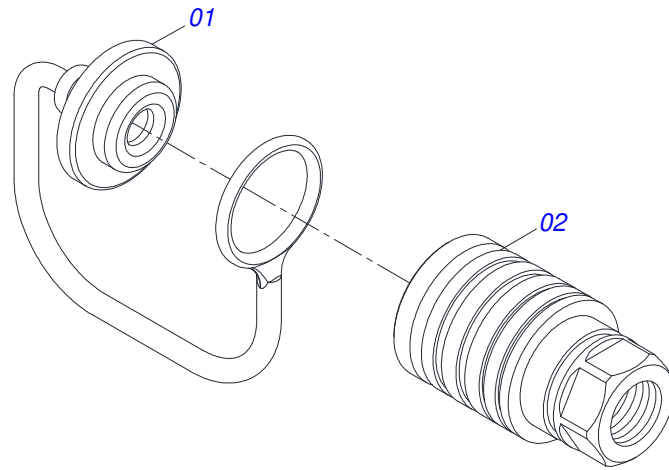
Item	Code	Description	See page	QT
01	0503011627	MALE QUICK COUPLER AGR 1/2 NPT		01
02	0503011882	MALE QUICK COUPLER CAP		01



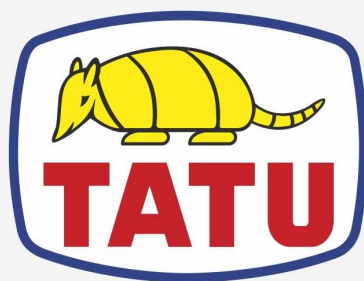
Item	Code	Description	See page	QT
01	0503010494	9.0LX 20" X 14 PLY, TIRE		01
02	0503010057	INNER TIRE		01
03	0501068263	2.6"X0.8"X6.0"X 8F0. 9"X8.0" WHEEL		01
04	0503010470	PROTECTION		01



Item	Code	Description	See page	QT
01	0503010056	WHEEL		01
02	0503010057	INNER TIRE		01
03	0501068263	2.6"X0.8"X6.0"X 8F0. 9"X8.0" WHEEL		01
04	0503010470	PROTECTION		01



Item	Code	Description	See page	QT
01	0503011883	QUICK CONNECTION COVER		01
02	0503011628	FEMALE QUICK COUPLER		01



MARCHESAN

Technical Publications | Elaboration and Revision
JOÃO VIRGINIO ROCHA

www.marchesan.com.br

