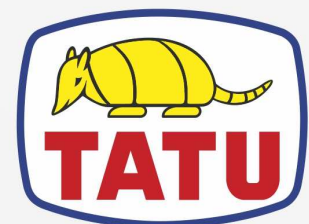


AUXILIARY PRODUCTS

CDPH 1334

Code: 0501091258
Series: S-0404
Revision: 00
Revision Date: SETEMBRO/2013

PARTS CATALOGUE



MARCHESAN



PRODUCTS

Code	Description	
0109030008	CDPH 1334 32 X 9,00 DM	S-0404
0109030011	CDPH 1334 34 X 9,00 DM	S-0404

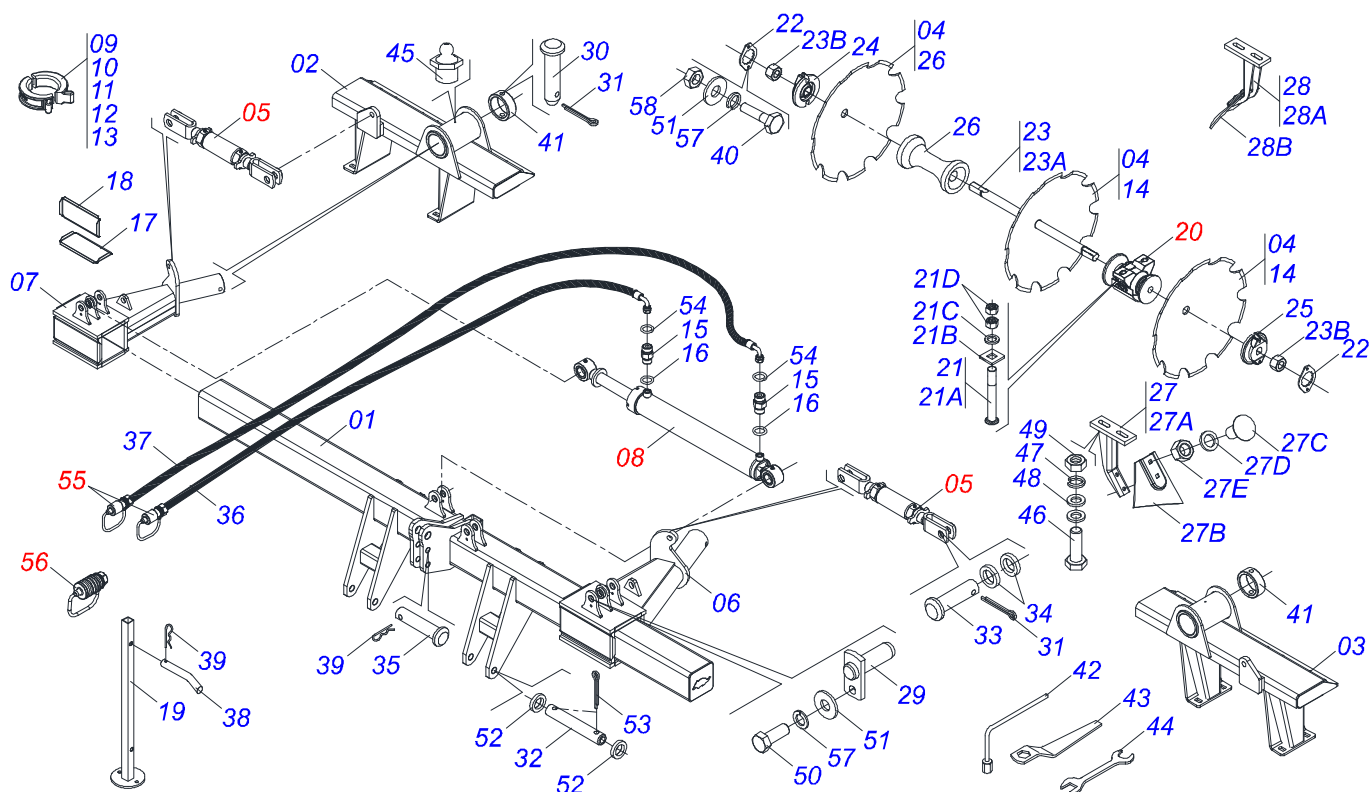
ATTENTION: IMPORTANT

Marchesan S.A. reserves the right to improve and/or modify the technical features of its products, without obligation to do the same with those products already sold and without prior knowledge of the dealer or the customer. The photos are only illustrative.



INDEX

0909093052	ASSY FRAME	1
0501053834	MALE QUICK COUPLER	2
0501053835	FEMALE QUICK COUPLER	3
0511043384	44,45 X 76,2 X1010 X 740 HYDRAULIC CYLINDER	4
0511042514	330 2.1/8 OIL BATH BEARING	5
0501055311	TURNBUCKLE ASSY R.1.3/4 NC	6

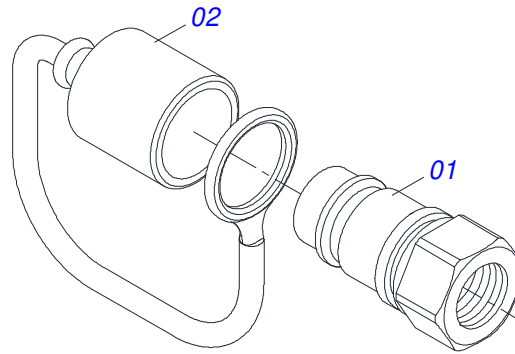


Item	Code	Description	See page	QT
01	0511066273	FRONT SUPPORT		01
02	0511065532	RIGHT DISC FRAME		01
03	0511065533	LEFT DISC FRAME		01
04	0602044001	32" X 0.3" NOTCHED DISC BLADE		08
04.	0602046013	34" X 0.3" NOTCHED DISC BLADE		08
05	0501055311	TURNBUCKLE ASSY R.1.3/4 NC	6	02
06	0511066275	LEFT FRAME SUPPORT		01
07	0511066276	RIGHT FRAME SUPPORT		01
08	0511043384	44,45 X 76,2 X1010 X 740 HYDRAULIC CYLINDER	4	02
09	0501047895	25 ROD STOP		02
10	0501047885	30 ROD STOP		02
11	0501047886	35 ROD STOP		02
12	0501047887	40 ROD STOP		02
13	0501047888	45 ROD STOP		02
14	0602046013	34" X 0.3" NOTCHED DISC BLADE		08
15	0503030923	3/4" UNF X 13/16UN OFS X 40 NIPPLE		02
16	0503011030	2-014 N 3006-9B O'RING		02
17	0541015495	SUPPORT/LOWER GUIDES FRAME		04
18	0541015497	FRAME SUPPORT LATERAL GUIDE		04
19	0511065529	SUPPORT		01
20	0511042514	330 2.1/8 OIL BATH BEARING	5	04
21	0501042139	1" X 4.3" ASSY BOLT		08
21A	0501010952	1" X 4.3" BOLT		08
21B	0501010951	1" SQUARE WASHER		08
21C	0541010210	FLAT WASHER		08
21D	0501010059	1.5/8 NUT		08
22	0541010368	NUT LOCK		04
23	0501041516	2-1/8" X 49" AXLE WITH NUTS		02
23A	0501013757	2-1/8" X 49" AXLE		02
23B	0502040063	2-1/8" X 54 99 NUT		04
24	0502010594	2-1/8" EXTERNAL AXLE WASHER		02

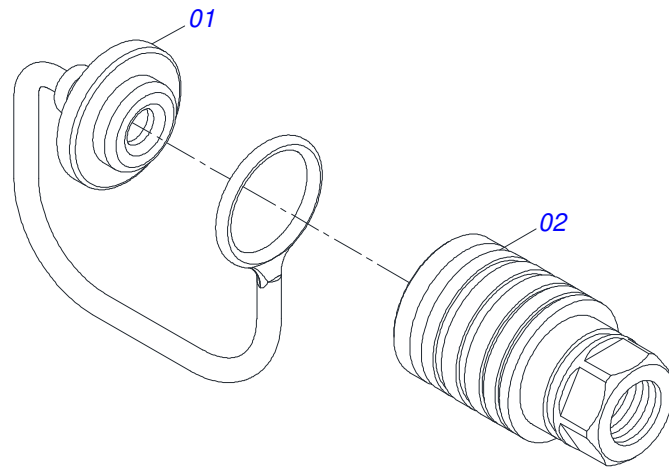


CDPH 1334
ASSY FRAME

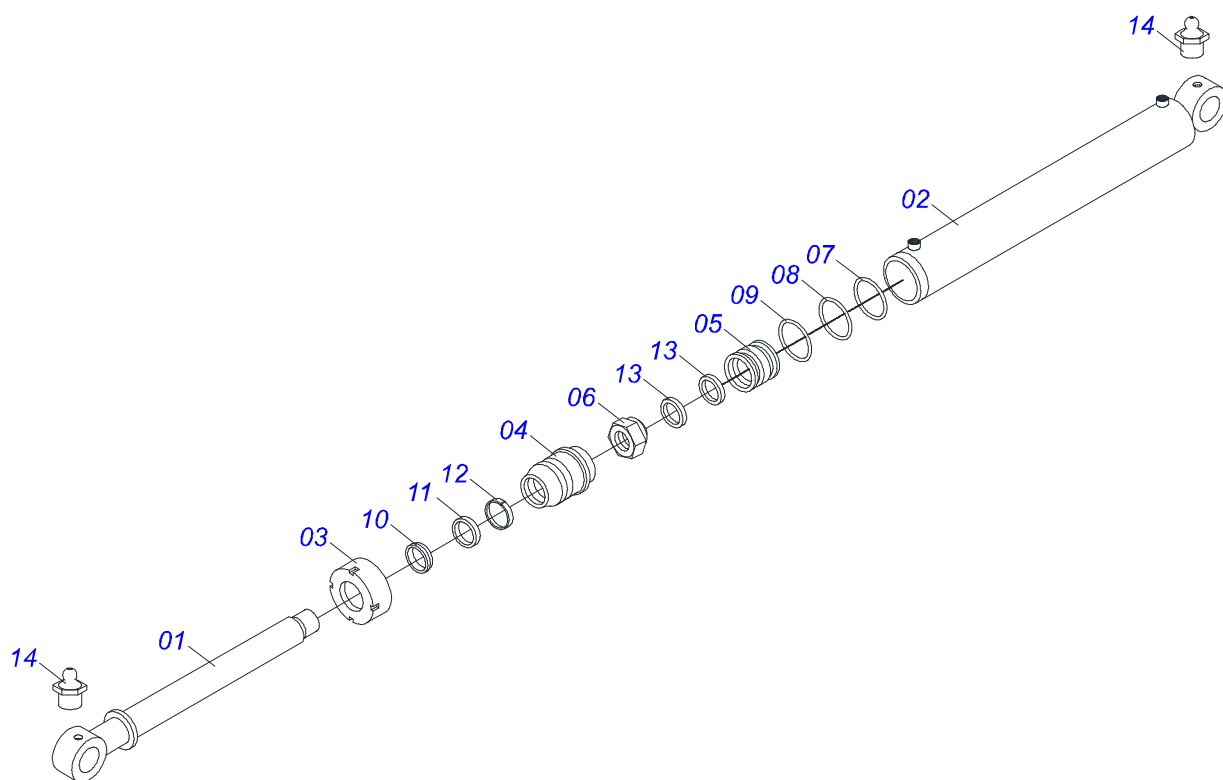
Item	Code	Description	See page	QT
25	0502010595	2-1/8" INNER AXLE WASHER		02
26	0502010643	13" 2-1/8" SPACER		02
27	0501054717	FRONT SCRAPER SUPPORT		04
27A	0511064771	FRONT SCRAPER SUPPORT		04
27B	0521013678	FRONT CLEANER		04
27C	0503012195	5/8" NUT		16
27D	0503010027	5/8 SPRING WASHER		20
27E	0503010013	NUT 5/8" UNC G.5 ZN		16
28	0501054718	REAR SCRAPER SUPPORT		04
28A	0511064772	REAR SCRAPER SUPPORT		04
28B	0521013679	REAR CLEANER		04
29	0511062927	1.5" X 4.9" PIVOT SHAFT		04
30	0541012484	COUPLING SHAFT		02
31	0503010523	1/4" X 2" SPLIT PIN		06
32	0551011067	COUPLING SHAFT		02
33	0521010779	31.75 X 95 COUPLING SHAFT		04
34	0501019523	FLAT WASHER		08
35	0541014018	UPPER HITCH AXLE		01
36	0501081000	3/8 X 2400 TC-TM HOSE ASSY		02
37	0501081001	3/8" X 3000 TC-TM HOSE ASSY		02
38	0541012458	CONTROL LOCK		01
39	0503031035	HITCH PIN CLIP		01
40	0503010232	5/8" X 1.3/4" BOLT		08
41	0541012485	FRAME SLLEVE FIXER 131 X 168 X 60		02
42	0501061044	2-1/8" AND 2-1/2" CABLE FLAT WRENCH		02
43	0501061045	1" WRENCH CYLINDRICAL		01
44	0541015451	WRENCH 2.3/8 X 2.3/4		01
45	0503010002	1800 GREASE FITTING		02
46	0501010500	3/4" X 3" BOLT		16
47	0503010023	3/4" SPRING WASHER		16
48	0541010763	FLAT WASHER		16
49	0503010014	3/4" HEX NUT		16
50	0503010962	5/8" X 1-1/4" BOLT		04
51	0501012140	FLAT WASHER 16,50 X 40 X 4,00 ZN		12
52	0521011100	FLAT WASHER		04
53	0503010073	3/8" X 3.1/2" SPLIT PIN		05
54	0503010190	2-114 N 3006-9B O'RING		04
55	0501053834	MALE QUICK COUPLER	2	04
56	0501053835	FEMALE QUICK COUPLER	3	04
57	0503010027	5/8 SPRING WASHER		10
58	0503010013	NUT 5/8" UNC G.5 ZN		10



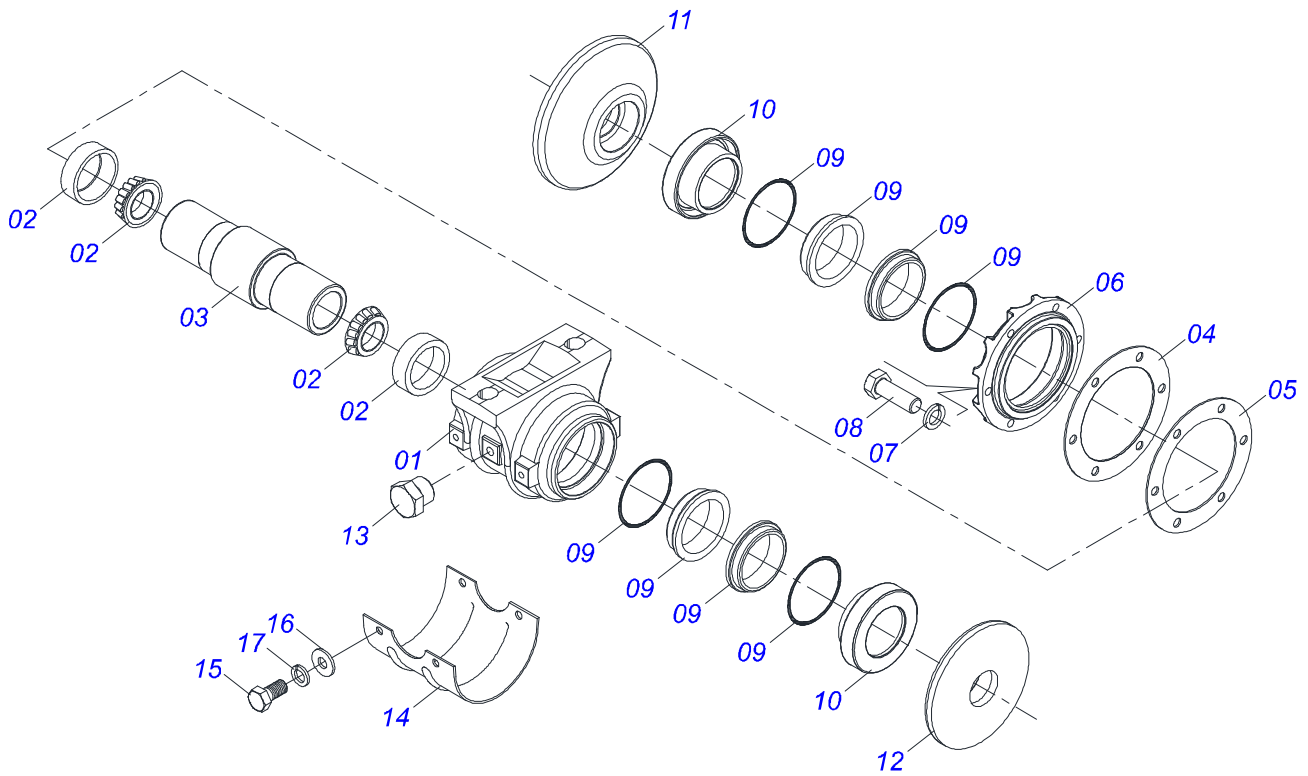
Item	Code	Description	See page	QT
01	0503011627	MALE QUICK COUPLER AGR 1/2 NPT		01
02	0503011882	MALE QUICK COUPLER CAP		01



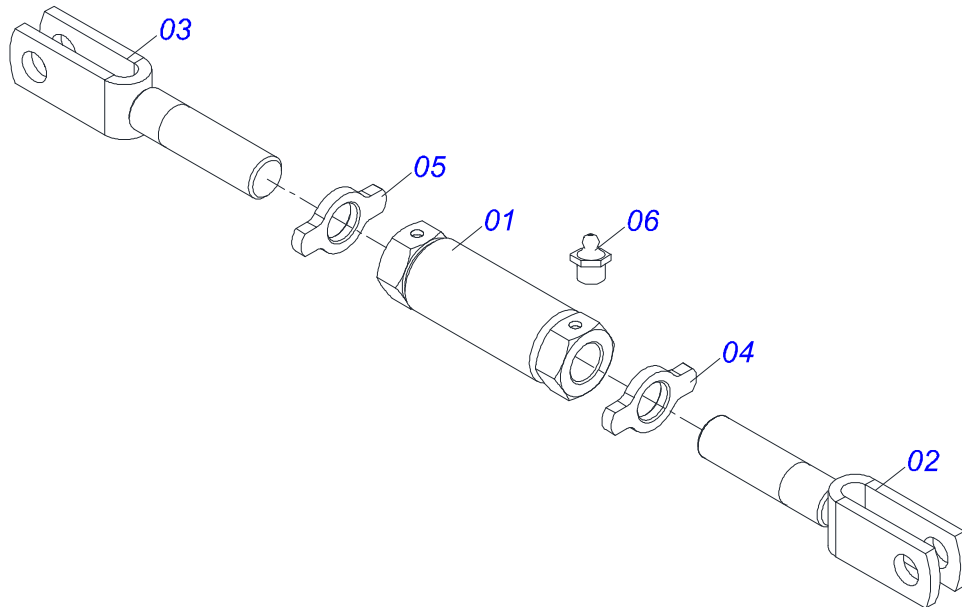
Item	Code	Description	See page	QT
01	0503011883	QUICK CONNECTION COVER		01
02	0503011628	FEMALE QUICK COUPLER		01



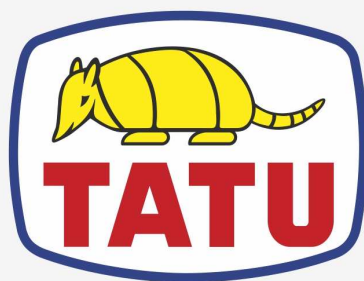
Item	Code	Description	See page	QT
01	0511066278	44,45 X 756 TURNBUCKLE		01
02	0511066277	76,20 X 638 CYLINDER CASE		01
03	0502011899	MOBILE LID		01
04	0502012264	RING SUPPORT 1.75" X 3"		01
05	0502012265	1.75" X 3.0" PISTON		01
06	0503010063	1" SELF-ALIGNING NUT		01
07	0503010343	2-334 N 3006-9B O'RING		01
08	0503010345	2-218 N 3006-9B O'RING		01
09	0503011059	8-334 BACK-UP RING		01
10	0503010761	D-1750 SCRAPER RING		01
11	0503010990	GASKET		01
12	0503010949	W2-2000-500 PK RING G.E		01
13	0503012768	3750-2250 GASKET		02
14	0503010002	1800 GREASE FITTING		02



Item	Code	Description	See page	QT
01	0502012262	HOUSING DM		01
02	0503013324	BALL BEARING		02
03	0502040034	BEARING AXLE		01
04	0503030536	7.1" X 5.5" X 0.01" JOINT		02
05	0503030686	7.1" X 5.5" X 0.004" JOINT		01
06	0502010645	HOUSING CAP DM		01
07	0503011443	SPRING WASHER 3/8"		06
08	0503010751	C3/8" X 1.1/4" HEX BOLT G.5		06
09	0503030028	JB-257 SEAL		02
10	0502040123	SEAL RETAINER		02
11	0502040260	OUTER FLANGE		01
12	0502040261	INNER FLANGE		01
13	0503010856	OIL PLUG R 3/8 BSPT		02
14	0511013169	PROTECTION COVER BEARING		01
15	0503010834	1/2 X 1 BOLT		04
16	0511017302	FLAT WASHER 13,50 X 32,50 X 3,0 ZN		04
17	0503010019	1/2" SPRING WASHER		04



Item	Code	Description	See page	QT
01	0511062188	R1.3/4" UN ADJUSTMENT NUT		01
02	0511065531	LEFT TURNBUCKLE		01
03	0511065530	RIGHT TURNBUCKLE		01
04	0551010782	RIGHT LOCKNUT R 1.3/4"		01
05	0551010993	LEFT LOCKNUT R 1.3/4"		01
06	0503010002	1800 GREASE FITTING		02



MARCHESAN

Technical Publications | Elaboration and Revision

ALESSANDRA PATRICIA KAWAHARA CARRILI

www.marchesan.com.br

