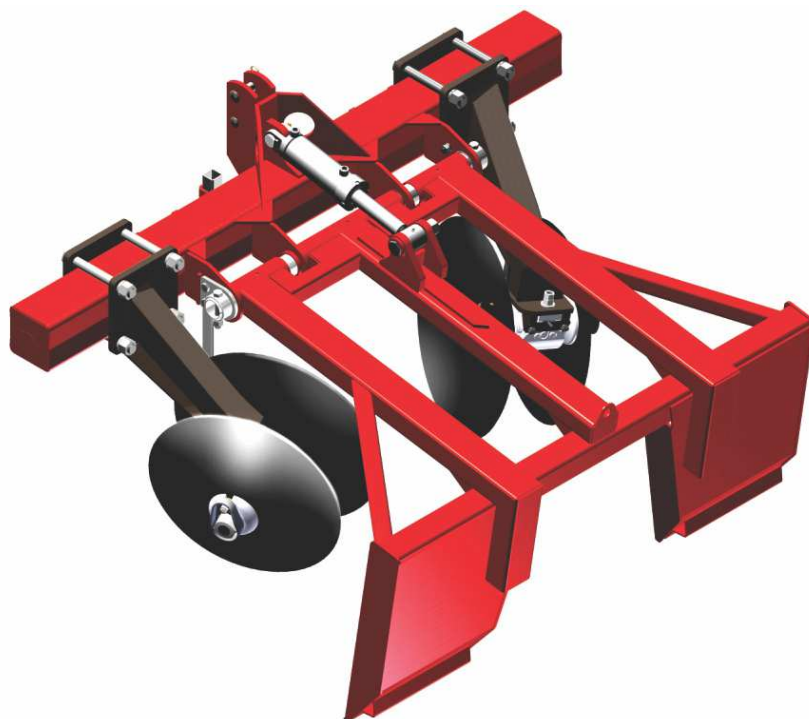


PARTS CATALOG

AUXILIARY PRODUCTS

EB 410

Code: 0501091256



Series: S-1210

Rev.: 00

Date Rev.: SETEMBRO/2013

**ORIGINAL PARTS
TATU**



PRODUCTS

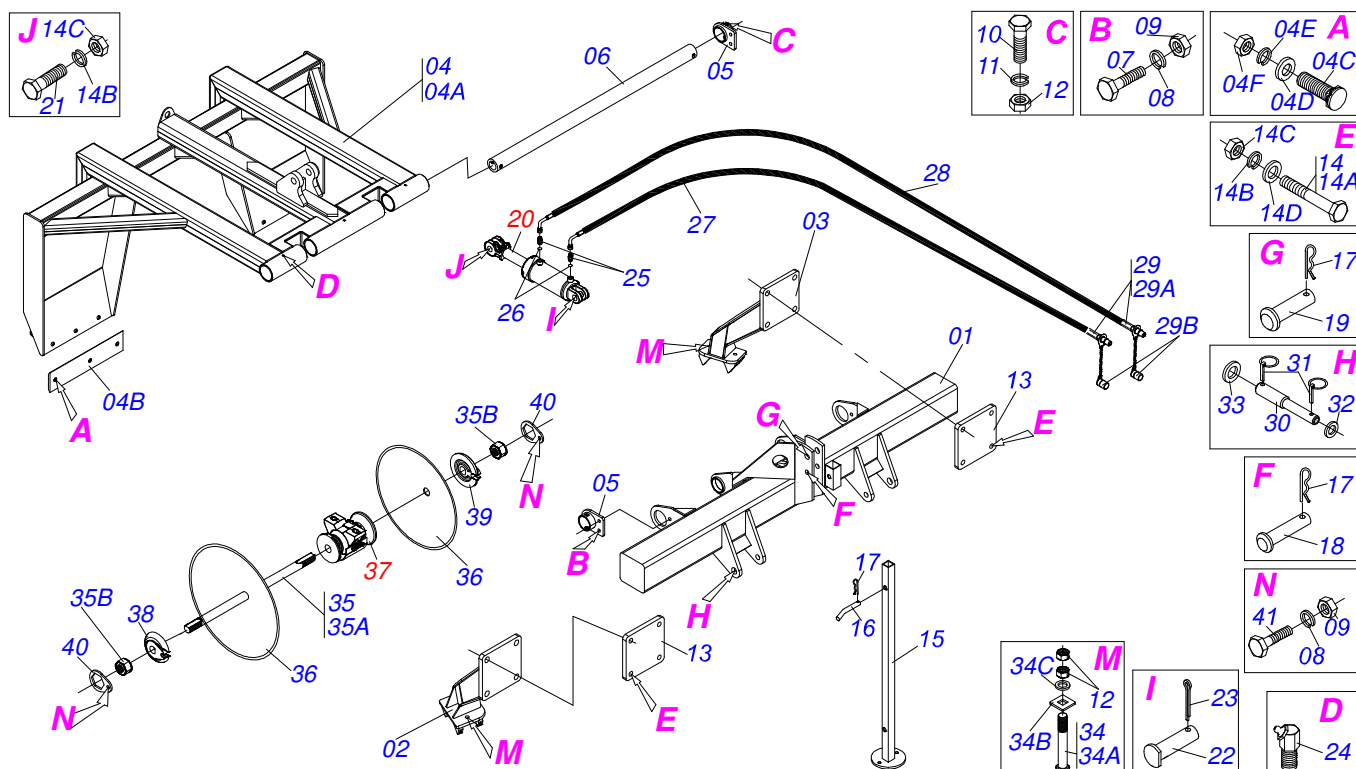
Code	Description	
0109030019	EB 0410 STD	S-1210

ATTENTION: **IMPORTANT**

MARCHESAN S/A RESERVES THE RIGHT AT ANY TIME TO MAKE IMPROVEMENTS IN THE DESIGN, MATERIAL OR SPECIFICATIONS OF MACHINERY, EQUIPMENT OR PARTS WITHOUT THEREBY BECOMING LIABLE TO MAKE SIMILAR CHANGES IN MACHINERY, EQUIPMENT OR PARTS PREVIOUSLY SOLD.

INDEX

0909090511	EB 410 FRAME	1
0511040032	262 X 1.5/8" OIL BATH BRG ASSY,OPT	2
0511044949	HYDRAULIC CYLINDER	3

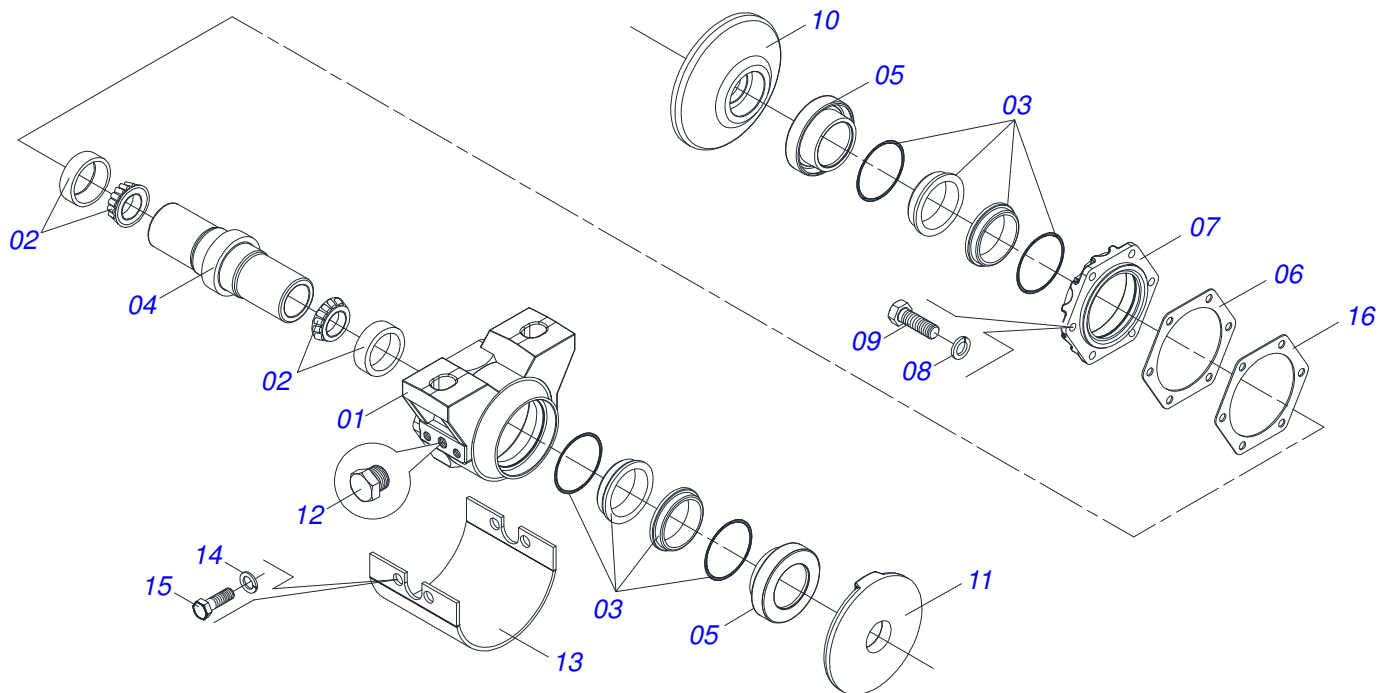


Item	Code	Description	QT
01	0521062022	CHASSIS FRONT HITCH	01
02	0521061803	RIGHT FRAME	01
03	0521061804	CHASSIS SUPPORT DISCO	01
04	0511048887	REAR BLADE SUPPORT ASSY	01
04A	0521061819	SUPPORT SCRAPER	01
04B	0561017036	SCRAPER 430	01
04C	0503014193	1/2" BSW X 2" BOLT	06
04D	0511017302	FLAT WASHER	06
04E	0503010019	1/2" SPRING WASHER	06
04F	0503010020	1/2"NUT	06
05	0511067762	REAR BLADE SUPPORT	02
06	0521062705	73,50 X 62,00 X 1200 TUBE	01
07	0503010233	5/8" X 2-1/2" BOLT	04
08	0503010027	SPRING WASHER	08
09	0503010013	5/8" NUT	08
10	0501010216	3/4" X 4-1/2" BOLT	02
11	0503010023	SPRING WASHER	02
12	0503010014	3/4" NUT	06
13	0551011476	FIXER PLATE	02
14	0501042311	1-1/4" X 11" ASSY BOLT	08
14A	0501014175	1-1/4" X 11" BOLT	08
14B	0503010070	SPRING WASHER	09
14C	0501010087	1.1/4" NUT	09
14D	0501017779	FLAT WASHER	08
15	0501069951	PLOUGH SUPPORT	01
16	0501011075	PIN	01
17	0503031035	HAIR PIN	03
18	0521010578	COUPLING SHAFT	01
19	0511011887	COUPLING SHAFT	01
20	0511044949	HYDRAULIC CYLINDER	01
21	0501011106	1-1/4" X 7" BOLT	01
22	0561017794	JOINT AXLE	01
23	0503010571	1/4" X 1.1/2 COTTERPIN	01

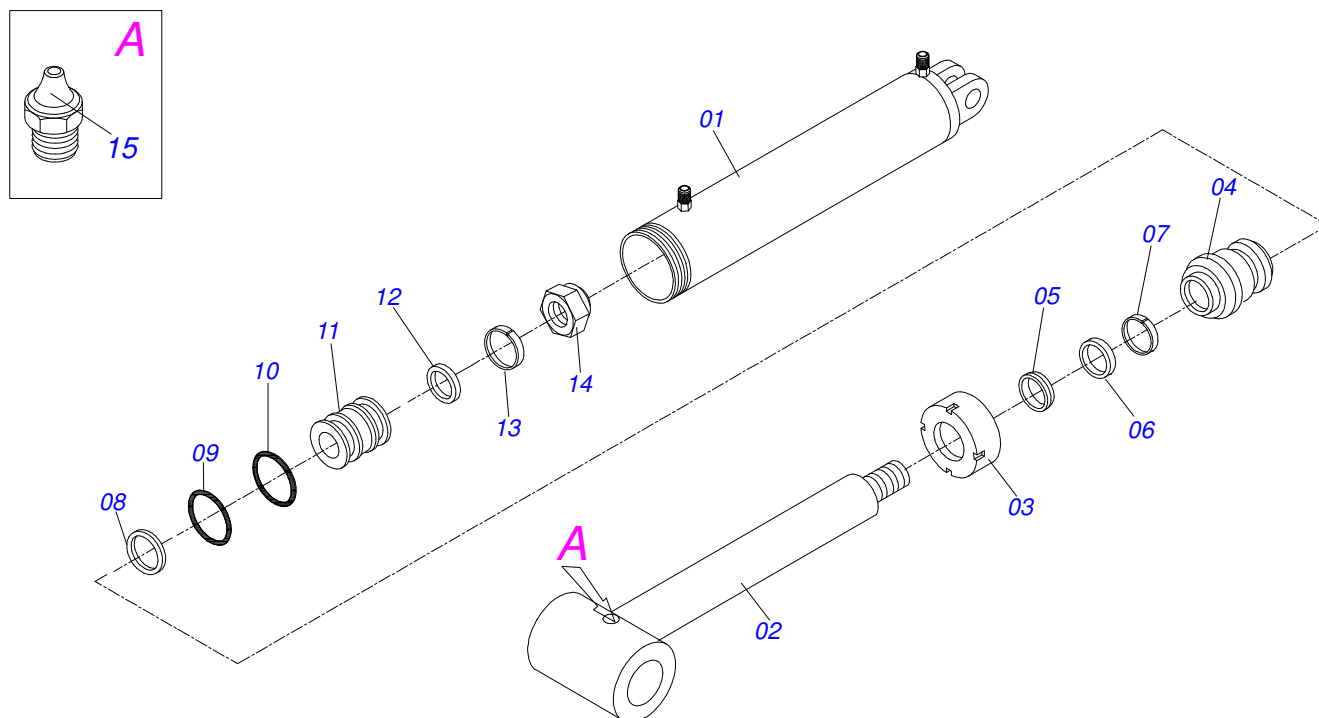


EB 410
EB 410 FRAME

Item	Code	Description	QT
24	0503010003	1845 GREASE FITTING	03
25	0501010617	3/4" NIPPLE	02
26	0503010190	2-114 N 3006-9B O'RING	02
27	0501080550	3/8" X 55.12" TC-TM HOSE	01
28	0501080601	3/8" X 66.9 TC-TM HOSE	01
29	0501053834	MALE QUICK COUPLING AGRICULTURAL WITH	02
29A	0503011627	QUICK CONNECTION (MALE) AGR 1/2 NPT	01
29B	0503011882	QUICK CONNECTION COVER	01
30	0551011381	LOWER PIN	02
31	0503030430	7/16 X 2" PIN LOCK	04
32	0511017480	FLAT WASHER	02
33	0521011100	FLAT WASHER	02
34	0501041925	3/4" X 3-1/2" BOLT ASSY	04
34A	0501010950	3/4" X 3-1/2" BOLT	04
34B	0501010949	3/4" SQUARE WASHER	04
34C	0501010322	FLAT WASHER	04
35	0511050297	1.5/8" 7FPP X 435 AXLE	02
35A	0561017001	1.5/8" 7FPP X 435 AXLE	02
35B	0502040640	1.5/8" 2.3/4" NUT	02
36	0601033231	26" X 6 PLAIN DISC BLADE	04
37	0511040032	262 X 1.5/8" OIL BATH BRG ASSY,OPT	02
38	0502011047	1-5/8" INNER AXLE WASHER	02
39	0502011048	1-5/8" EXTERNAL AXLE WASHER	02
40	0502012636	NUT LOCK	04
41	0503011267	5/8" X 1.1/2" BOLT	04



Item	Code	Description	QT
01	0502020633	HOUSING BEARING	01
02	0503010005	32212 ROLLER BEARING	02
03	0503030027	DUO-CONE SEAL	02
04	0502010900	BEARING AXLE	01
05	0502010735	SEAL RETAINER	02
06	0503030030	5.6" X 4.4" X 0.01" GASKET	02
07	0502020161	WEAR PLATE BEARING	01
08	0503011443	SPRING WASHER	06
09	0503010237	3/8" X 1" BOLT	06
10	0502040239	OUTER FLANGE	01
11	0502040240	INNER FLANGE	01
12	0503010856	OIL PLUG	02
13	0521012933	BEARING WEAR PLATE	01
14	0503010019	1/2" SPRING WASHER	02
15	0503011401	1/2" X 3/4" BOLT	02
16	0503030685	5.5" X 4.4" X 0.003" GASKET	02



Item	Code	Description	QT
01	0511067518	85,72 X 260,50 CYLINDER CASE	01
02	0511067519	44,45 X 300 TURNBUCLE	01
03	0502010993	DETACHABLE COVER	01
04	0502010781	RING SUPPORT	01
05	0503010761	D-1750 SCRAPER RING	01
06	0503010990	GASKET	01
07	0503010949	W2-2000-500 PK RING G.E	01
08	0503011060	8-336 BACK-UP RING	01
09	0503010976	2-336 N 3006-9B O'RING	01
10	0503010042	2-214 N 3006-9B O'RING	01
11	0502010843	1.8" X 3.4" PISTON	01
12	0503010170	PACKING 3120 2750	02
13	0503010948	W4-3346-590 PK RING G.E	01
14	0503010063	1" SELF-ALIGNING NUT	01

ANNOTATIONS

**ORIGINAL PARTS
TATU**





MARCHESAN IMPLEMENTOS E MÁQUINAS AGRÍCOLAS TATU S.A.

AV. Marchesan, 1979 - Post office box, 131 - CEP 15994-900 - Matão - SP - Brazil

Phone +55 16.3382-8282

(FAX Parts) + 55 16.3382. 8297 - (Export) + 55 16.3382.1003

e.mail: tatu@marchesan.com.br www.marchesan.com.br

Technical Publications: Elaboration

JOÃO VIRGINIO ROCHA

Technical Publications: Revision

ALESSANDRA PATRICIA KAWAHARA CARRILI

Contact Catálogo:

E-mail = jgaspari@marchesan.com.br

**ORIGINAL PARTS
TATU**

