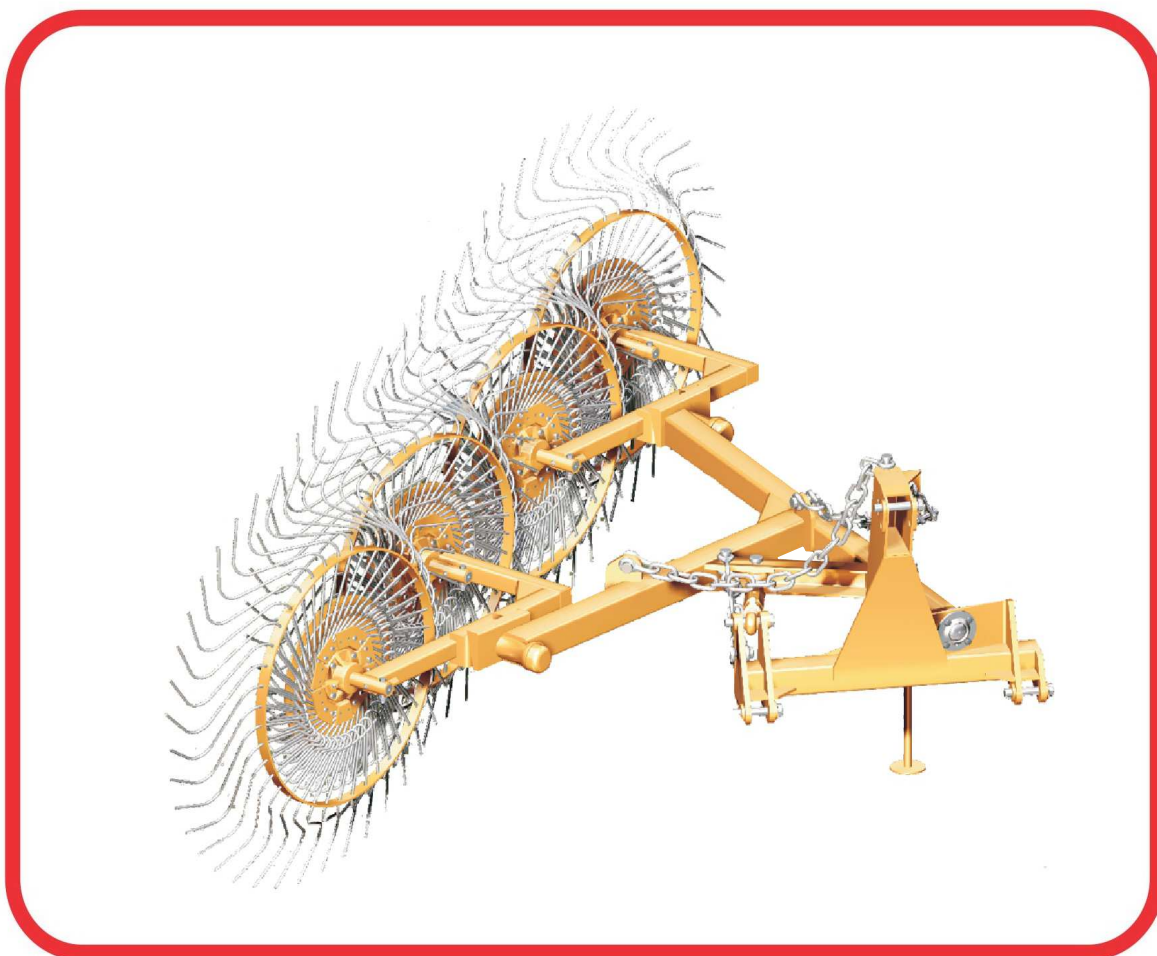


PARTS CATALOG

AUXILIARY PRODUCTS

TP

Code: 0501091255



Series: S-0981

Review: MAIO/2016

ORIGINAL PARTS
TATU



PRODUCTS

Code	Description
0108020001	TP 4 S-0981

ATTENTION: **IMPORTANT**

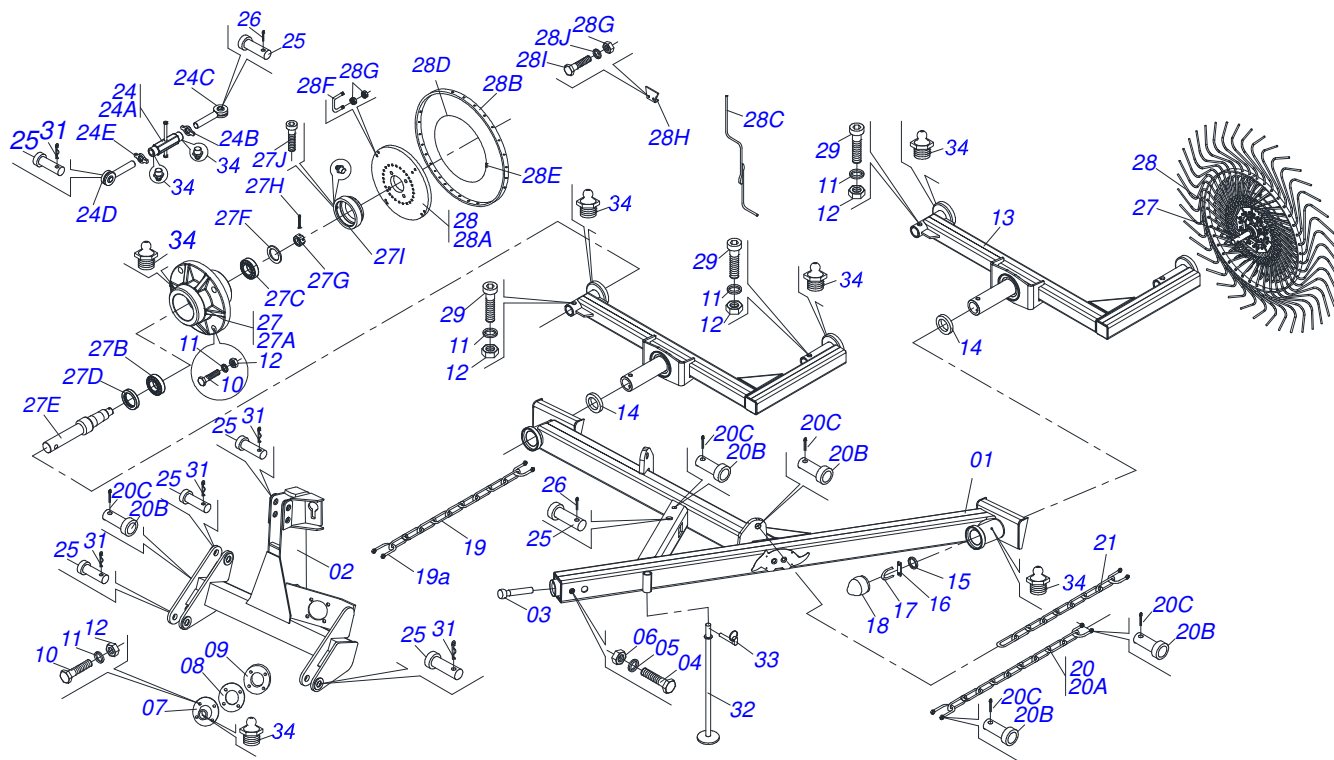
MARCHESAN S/A RESERVES THE RIGHT AT ANY TIME TO MAKE IMPROVEMENTS IN THE DESIGN, MATERIAL OR SPECIFICATIONS OF MACHINERY, EQUIPMENT OR PARTS WITHOUT THEREBY BECOMING LIABLE TO MAKE SIMILAR CHANGES IN MACHINERY, EQUIPMENT OR PARTS PREVIOUSLY SOLD.

INDEX

0909090481

TATU RAKE (FOR SUGAR CANE)

..... 1



Item	Code	Description	QT
01	0501061051	FRAME	01
02	0501061052	DRAWBAR	01
03	0501010650	PIVOT SHAFT	01
04	0503011084	3/4" X 5" BOLT	01
05	0503011442	3/4" SPRING WASHER	01
06	0503010014	3/4" NUT	01
07	0501010743	OUTER PIVOT FLANGE	01
08	0501010742	ADJUSTMENT CHOCK	01
09	0511016879	INNER PIVOT FLANGE	01
10	0503010740	1/2" X 2" BOLT	20
11	0503011440	SPRING WASHER	12
12	0503010060	1/2" NUT	12
13	0501061057	ROCKER ARM	02
14	0501010750	FILTERING ELEMENT	02
15	0501010656	ADJUSTMENT BUSHING	02
16	0501010655	0.5" X 3" PIN	02
17	0501010657	CLAMP (TP)	02
18	0521010389	PROTECTIVE COVER	02
19	0501014205	12,5 X 13 LINK CHAIN	01
20	0501055424	HANDRAIL SET	01
20A	0501014206	12,5 CHAIN X 17 LINK	01
20B	0503014348	STRAIGHT SHACKLE	06
20C	0501010661	1.02" X 2.95" PIN	05
20D	0503010071	3/16" X 1" COTTERPIN	05
21	0501014207	12,5 X 24 LINK CHAIN	01
24	0501042151	TURNBUCKLE	01
24A	0501110262	245 ADJUSTMENT NUT	01
24B	0541018672	COUNTERNUT	01
24C	0501061168	RH SCREW ARBOR	01
24D	0501061138	LH SCREW ARBOR	01
24E	0541018673	COUNTERNUT	01
25	0521010578	COUPLING SHAFT	04
26	0503031035	HAIR PIN	04



TATU RAKE (FOR SUGAR CANE)

0909090481

Item	Code	Description	QT
27	0501047847	BOX ROTOR ASSY	04
27A	0502020621	CARRYING WHEEL HUB	01
27B	0503010022	BEARING LM	01
27C	0503010016	BEARING LM	01
27D	0503010278	SEAL	01
27E	0501010972	ROTOR HUB AXLE	01
27F	0501010076	FLAT WASHER	01
27G	0503030010	7/8" CASTLE NUT	01
27H	0503010018	5/32 X 1-1/2 COTTERPIN	01
27I	0502020589	COVER	01
27J	0503010011	5/16" X 1/2" BOLT	01
28	0501040178	ROTOR	01
28A	0501010652	ROTOR DISC	01
28B	0521015814	SPRING GUIDE	01
28C	0503031158	3/8" TINES	40
28D	0501010654	FIXER SPRING RING	01
28E	0521010523	SLEEVE UNION RING	01
28F	0521010663	3/8 UNC X 72 X 28 FASTENER	04
28G	0503010026	3/8" NUT	36
28H	0501010658	FIXER SPRING	10
28I	0503010849	3/8" X 1-1/2" BOLT	20
28J	0503011443	SPRING WASHER	20
29	0503010770	1/2" X 2-1/2" BOLT	04
31	0503031035	HAIR PIN	03
32	0501062412	PLOUGH SUPPORT 725	01
33	0503030085	LOCK PIN	01
34	0503010002	1800 GREASE FITTING	16



MARCHESAN IMPLEMENTOS E MÁQUINAS AGRÍCOLAS TATU S.A.

AV. Marchesan, 1979 - Post office box, 131 - CEP 15994-900 - Matão - SP - Brazil

Phone +55 16.3382-8282

(FAX Parts) + 55 16.3382. 8297 - (Export) + 55 16.3382.1003

e.mail: tatu@marchesan.com.br www.marchesan.com.br

Technical Publications: Elaboration

JOÃO VIRGINIO ROCHA

Contact Catálogo:

E-mail = jgaspari@marchesan.com.br

**ORIGINAL PARTS
TATU**

