

**AUXILIARY PRODUCTS**

**SAB / PD**

**Code:** 0501091254  
**Series:** S-0906  
**Revision:** 00  
**Date Revision:** SETEMBRO/2013

# PARTS CATALOGUE

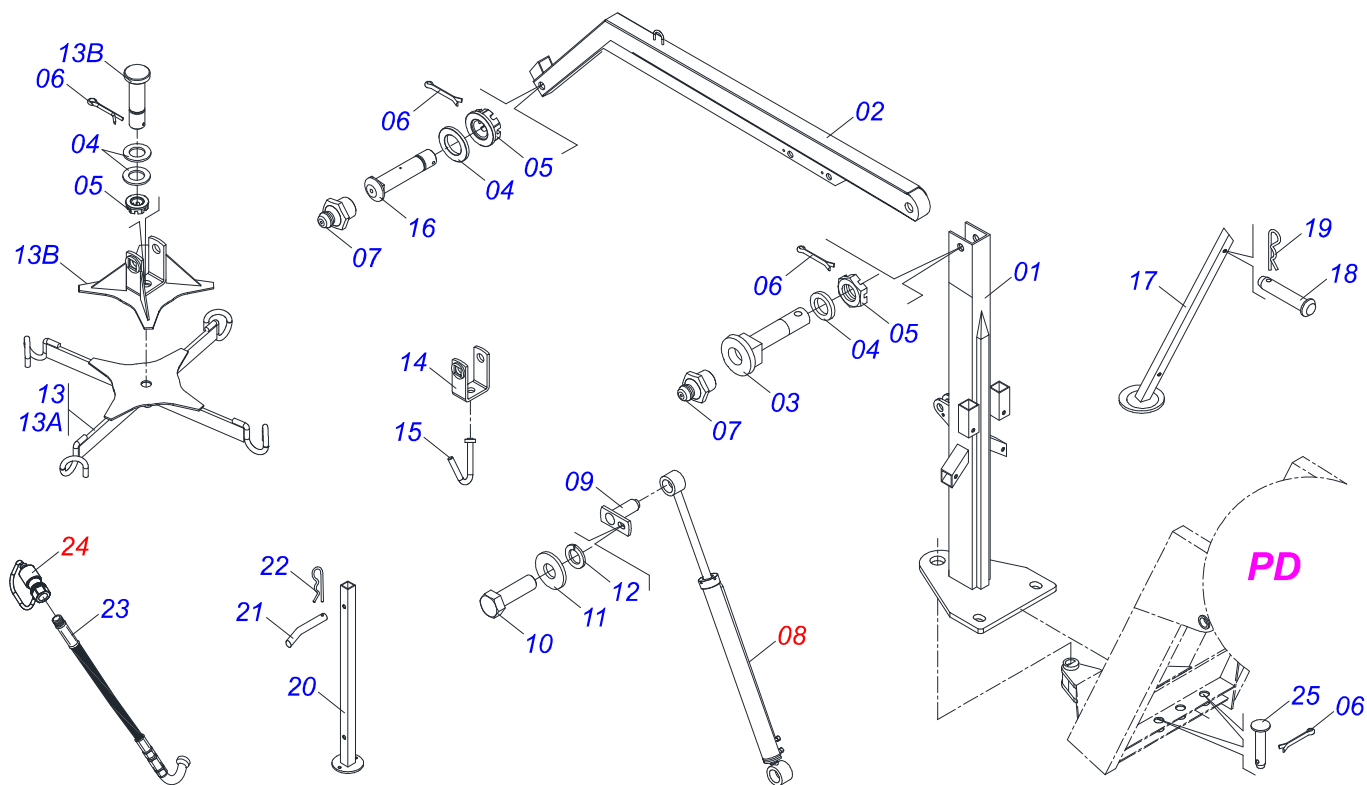


**MARCHESAN**

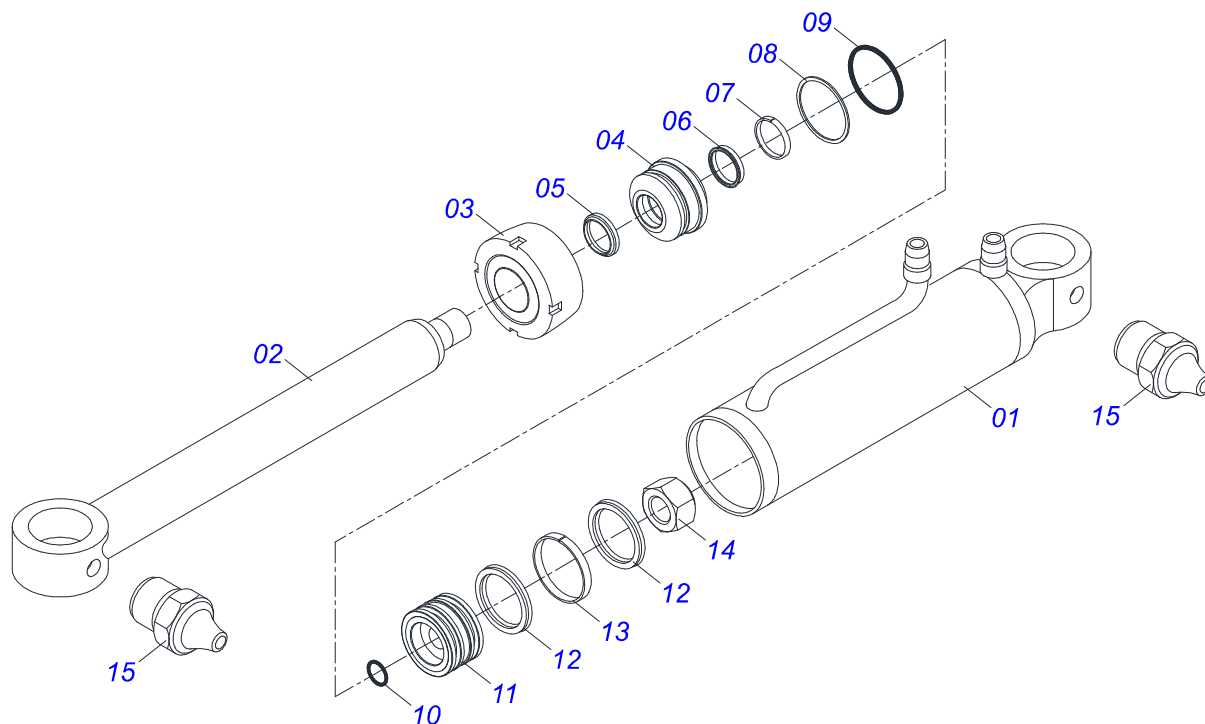


# INDEX

0909090292	SLING BULCK SACK LIFT	.....	1
0501049299	50,80 X 85,72 X 1223 X 942 HYDRAULIC CYLINDER	.....	2

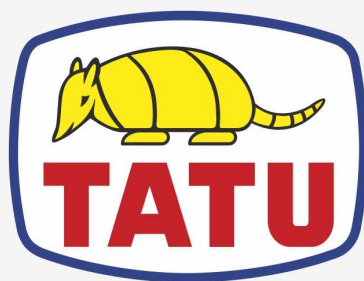


Item	Code	Description	See page
01	0511063037	TOWER	01
02	0501064474	CHARGING BAR	01
03	0521012827	1.5" X 7.4" PIVOT SHAFT	01
04	0501012916	FLAT WASHER 40 X 66 X 4,75 ZN	01
05	0501011301	1.1/2 UNC 6FPP 2.5/16 NUT	03
06	0503010010	1/4" X 2.1/2" SPLIT PIN	05
07	0503010002	1800 GREASE FITTING	05
08	0501049299	50,80 X 85,72 X 1223 X 942 HYDRAULIC CYLINDER 2	01
09	0501063958	1.5" X 4.3" PIVOT SHAFT LOCK	02
10	0503010962	5/8" X 1-1/4" BOLT	02
11	0503010027	5/8 SPRING WASHER	02
12	0501012140	FLAT WASHER	02
13	0501058710	CROSSPIECE	01
13A	0521060317	U COUPLING FOR CROSSPIECE	01
13B	0521060235	CROSSPIECE	01
13C	0521010555	1-1/2" X 5.5" COUPLING SHAFT	01
14	0501069722	U HOOK	01
15	0501064475	1-1/4" HOOK	01
16	0521012828	1.5" X 6.8" PIVOT SHAFT	01
17	0501064476	PLOUGH SUPPORT	02
18	0501011388	COUPLING SHAFT	02
19	0503030168	HITCH PIN CLIP	02
20	0511061835	PLOUGH SUPPORT	01
21	0501011075	PIN	01
22	0503030012	HITCH PIN CLIP	01
23	0501080335	1/2" X 63" TC-TM HOSE ASSY	02
24	0501053834	MALE QUICK COUPLER	02
25	0521010612	1.4" X 3.5" COUPLING SHAFT	02



Item	Code	Description	See page	QT
01	0501064542	2.4" X 37" CYLINDER CASE		01
02	0511061447	2" X 43.7" TURNBUCLE		01
03	0502010761	MOBILE COVER		01
04	0502010840	2" X 3.4" RING SUPPORT		01
05	0503010039	D-2000 SCRAPER RING		01
06	0503010991	1870-2000-375-B GASKET		01
07	0503010952	W2-2250-500 RING		01
08	0503011060	8-336 BACK-UP RING		01
09	0503010976	2-336 N 3006-9B O'RING		01
10	0503010042	2-214 N 3006-9B O'RING		01
11	0502010844	2.0" X 3.3" PISTON		01
12	0503010170	PACKING 3120 2750		02
13	0503010948	W4-3346-590 PK RING G.E		01
14	0503010063	1" SELF-ALIGNING NUT		01
15	0503010002	1800 GREASE FITTING		02
16	0501031797	HYDRAULIC CYLINDER REPAIR KIT		01





**MARCHESAN**

**Technical Publications | Elaboration and Revision**

JOÃO VIRGINIO ROCHA

[www.marchesan.com.br](http://www.marchesan.com.br)

