

PARTS CATALOG

AUXILIARY PRODUCTS

GAT-R

Code: 0501091253



Series: S-0302

Rev.: 00

Date Rev.: SETEMBRO/2013

**ORIGINAL PARTS
TATU**



PRODUCTS

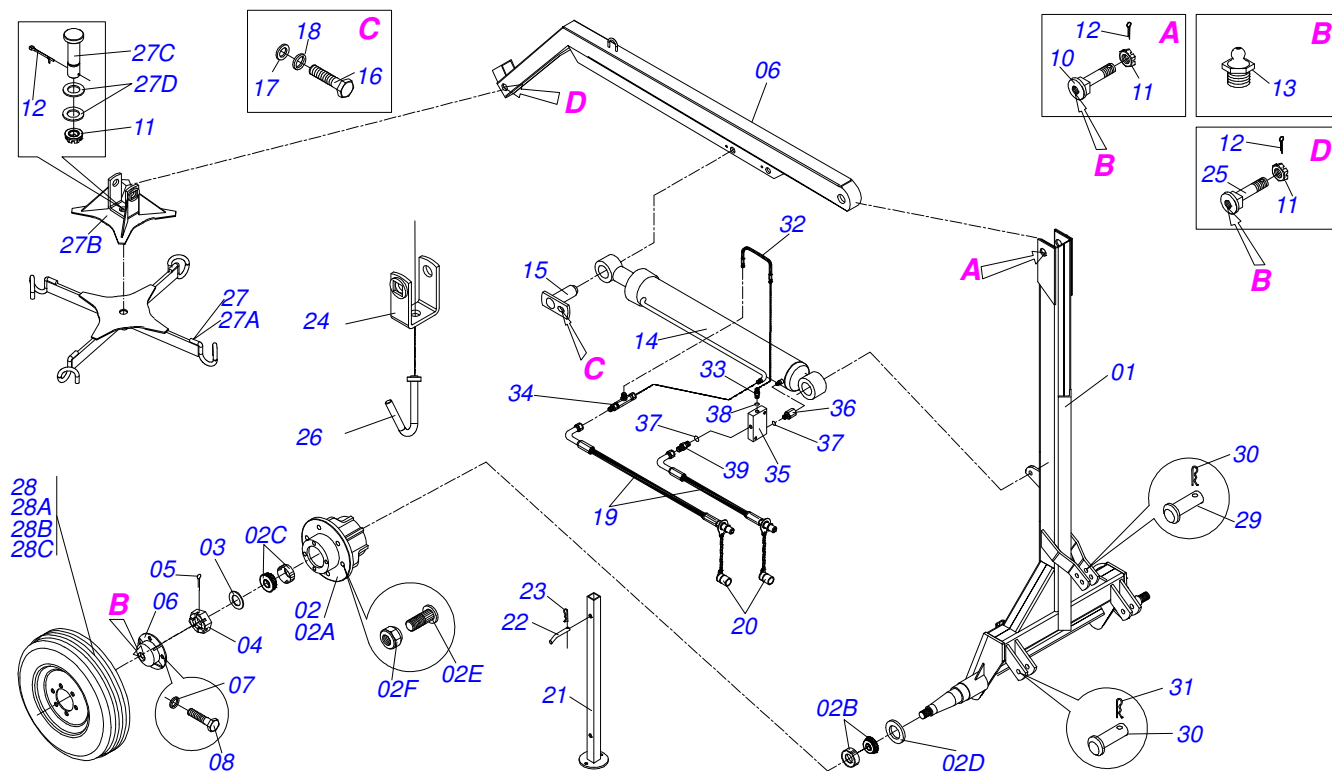
Code	Description
0407010047	GAT-R CRUZ/GANCH/VALV/RODA S/PNEU
0407010005	GAT-R CRUZETA/GANCHO S-0302
0407010033	GAT-R CRUZETA/GANCHO C/RODA S/PNEU
0407010017	GAT-R CRUZETA/GANCHO C/VALV S-0302
0407010013	GAT-R CRUZETA/GANCHO S/PNEUS S-0302
0407010006	GAT-R GANCHO S-0490

ATTENTION: **IMPORTANT**

MARCHESAN S/A RESERVES THE RIGHT AT ANY TIME TO MAKE IMPROVEMENTS IN THE DESIGN, MATERIAL OR SPECIFICATIONS OF MACHINERY, EQUIPMENT OR PARTS WITHOUT THEREBY BECOMING LIABLE TO MAKE SIMILAR CHANGES IN MACHINERY, EQUIPMENT OR PARTS PREVIOUSLY SOLD.

INDEX

0909090373	HOIST MOUNTED TYPE - WITH WHEELS	1
0501049299	2" X 3.4" X 48" X 37" HYDRAULIC CYLINDER	2



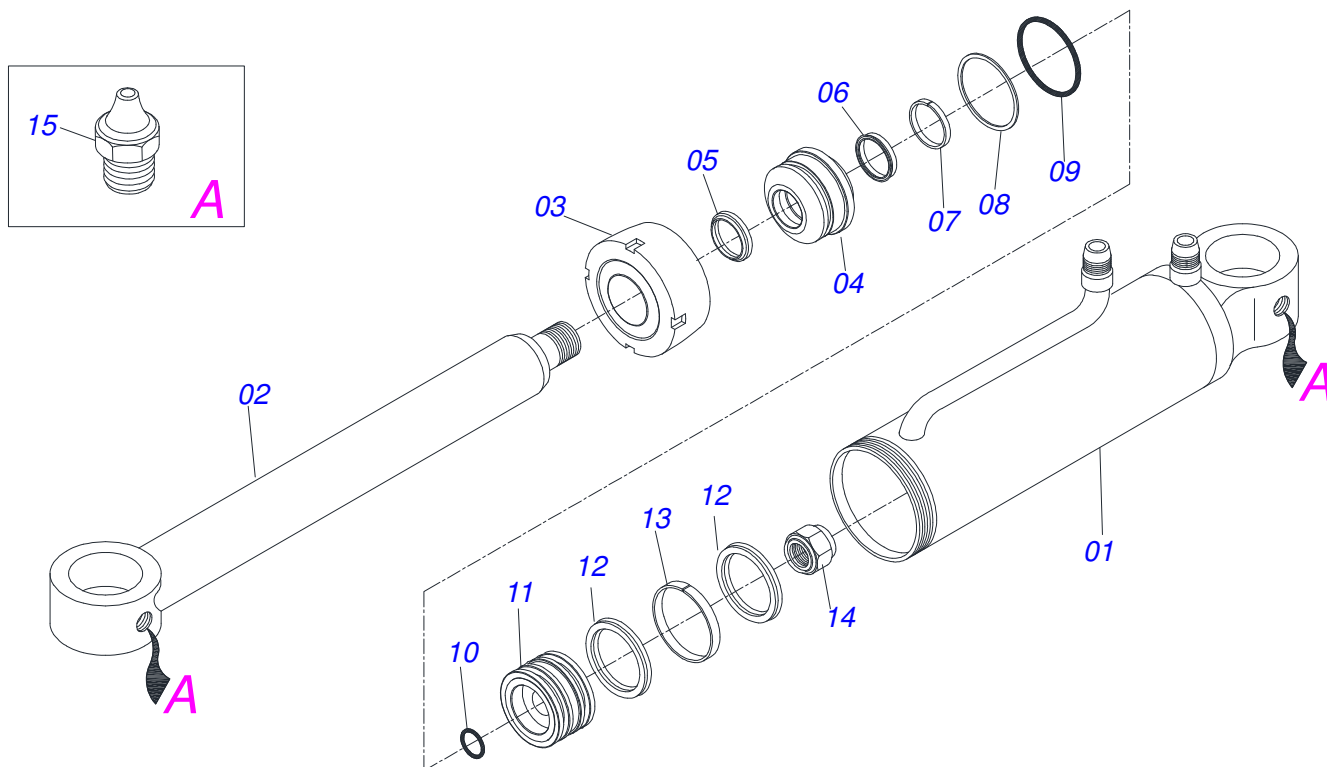
Item	Code	Description	QT
01	0511063762	GAT-R TOWER	01
02	0501051142	CARRYING WHEEL HUB	02
02A	0502011121	CARRYING WHEEL HUB	02
02B	0503010006	32210 ROLLER BEARING	02
02C	0503010037	30207 ROLLER BEARING	02
02D	0503012928	SEAL	02
02E	0501010127	9/16" X 1-7/8" LUG BOLT	12
02F	0503010035	9/16" CONIC NUT	12
03	0501016545	FLAT WASHER	02
04	0503030009	1" CASTLE NUT	02
05	0503010018	5/32 X 1-1/2 COTTERPIN	02
06	0502020591	PROTECCION COVER	02
07	0503010179	SPRING WASHER	08
08	0503010178	5/16" X 7/8" BOLT	08
09	0501064474	CHARGING BAR	01
10	0521012827	1.5" X 7.4" PIVOT SHAFT	01
11	0501011301	1.1/2 UNC 6FPP 2.5/16 NUT	03
12	0503010010	1/4" X 2.1/2" COTTERPIN	03
13	0503010002	1800 GREASE FITTING	05
14	0501049299	2" X 3.4" X 48" X 37" HYDRAULIC CYLINDER	01
15	0501063958	1.5" X 4.3" PIVOT SHAFT LOCK	02
16	0503010962	5/8" X 1-1/4" BOLT	02
17	0501012140	FLAT WASHER	02
18	0503010027	SPRING WASHER	02
19	0501080335	1/2" X 63" TC-TM HOSE ASSY	02
20	0501053834	MALE QUICK COUPLING AGRICULTURAL WITH	02
21	0511063142	PLOUGH SUPPORT GATG	01
22	0501011075	PIN	01
23	0503030012	HAIR PIN	01
24	0501069722	U HOOK	01
25	0521012828	1.5" X 6.8" PIVOT SHAFT	01
26	0501064475	1-1/4" HOOK	01
27	0501058710	CROSSPIECE	01



HOIST MOUNTED TYPE - WITH WHEELS

0909090373

Item	Code	Description	QT
27A	0521060235	CROSSPIECE	01
27B	0521060317	U COUPLING FOR CROSSPIECE	01
27C	0521010555	1-1/2" X 5.5" COUPLING SHAFT	01
27D	0501012916	FLAT WASHER 38,50 X 66 X 4,75 ZN	02
28	0503060091	L29.5"X0.63"-10L WHEEL AND	02
28A	0503010120	CANVAS TIRE	02
28B	0503010893	WHEEL	02
28C	0503010033	7.50 X 16 INNER TIRE	02
29	0521010579	COUPLING SHAFT	01
30	0521010596	COUPLING SHAFT	02
31	0503031035	HAIR PIN	03
32.	0501080087	1/2" X 450 HOSE ASSY	01
33	0531013708	7/8 UNF X R 9/16 UNF X 45 NIPPLE	01
34	0503012341	T 7/8" ADAPOR GIRAT NUT	01
35	0503013622	VALVE ASSY	01
36	0541016817	1.1/8 X R 7/8 HEX TERMINAL	01
37	0503010045	2-116 N 3006-9B O'RING	02
38	0503011030	2-014 N 3006-9B O'RING	01
39	0501010590	7/8" REDUCTION NIPPLE	01



Item	Code	Description	QT
00	0501049299	2" X 3.4" X 48" X 37" HYDRAULIC CYLINDER	01
01	0501064542	2.4" X 37" CYLINDER CASE	01
02	0511061447	2" X 43.7" TURNBUCLE	01
03	0502010761	MOBILE COVER	01
04	0502010840	2" X 3.4" RING SUPPORT	01
05	0503010039	D-2000 SCRAPER RING	01
06	0503010991	PACKING 1870-2000-375-B	01
07	0503010952	W2-2250-500 PK RING G.E	01
08	0503011060	8-336 BACK-UP RING	01
09	0503010976	2-336 N 3006-9B O-RING	01
10	0503010042	2-214 N 3006-9B O-RING	01
11	0502010844	2.0" X 3.3" PISTON	01
12	0503010170	PACKING 3120 2750	02
13	0503010948	W4-3346-590 PK RING G.E	01
14	0503010063	1" SELF-ALIGNING NUT	01
15	0503010002	1800 GREASE FITTING	02
16	0501031797	HYDRAULIC CYLINDER REPAIR KIT	01



MARCHESAN IMPLEMENTOS E MÁQUINAS AGRÍCOLAS TATU S.A.

AV. Marchesan, 1979 - Post office box, 131 - CEP 15994-900 - Matão - SP - Brazil

Phone +55 16.3382-8282

(FAX Parts) + 55 16.3382. 8297 - (Export) + 55 16.3382.1003

e.mail: tatu@marchesan.com.br www.marchesan.com.br

Technical Publications: Elaboration

JOÃO VIRGINIO ROCHA

Technical Publications: Revision

ALESSANDRA PATRICIA KAWAHARA CARRILI

Contact Catálogo:

E-mail = jgaspari@marchesan.com.br

**ORIGINAL PARTS
TATU**

