

## AUXILIARY PRODUCTS

**Code:**

0501091250

**Product:**

GATG-BR 2000



**Series:**

S-0114

**Revision:**

00

**Date Revision:**

SETEMBRO/2013



# PRODUCTS

<b>Code</b>	<b>Description</b>
0407010050	GATG BR 2000 C/PN VALV SEG S-0114
0407010056	GATG BR 2000 C/RODA S/PN VALV SEG S-0114

## **ATTENTION: IMPORTANT**

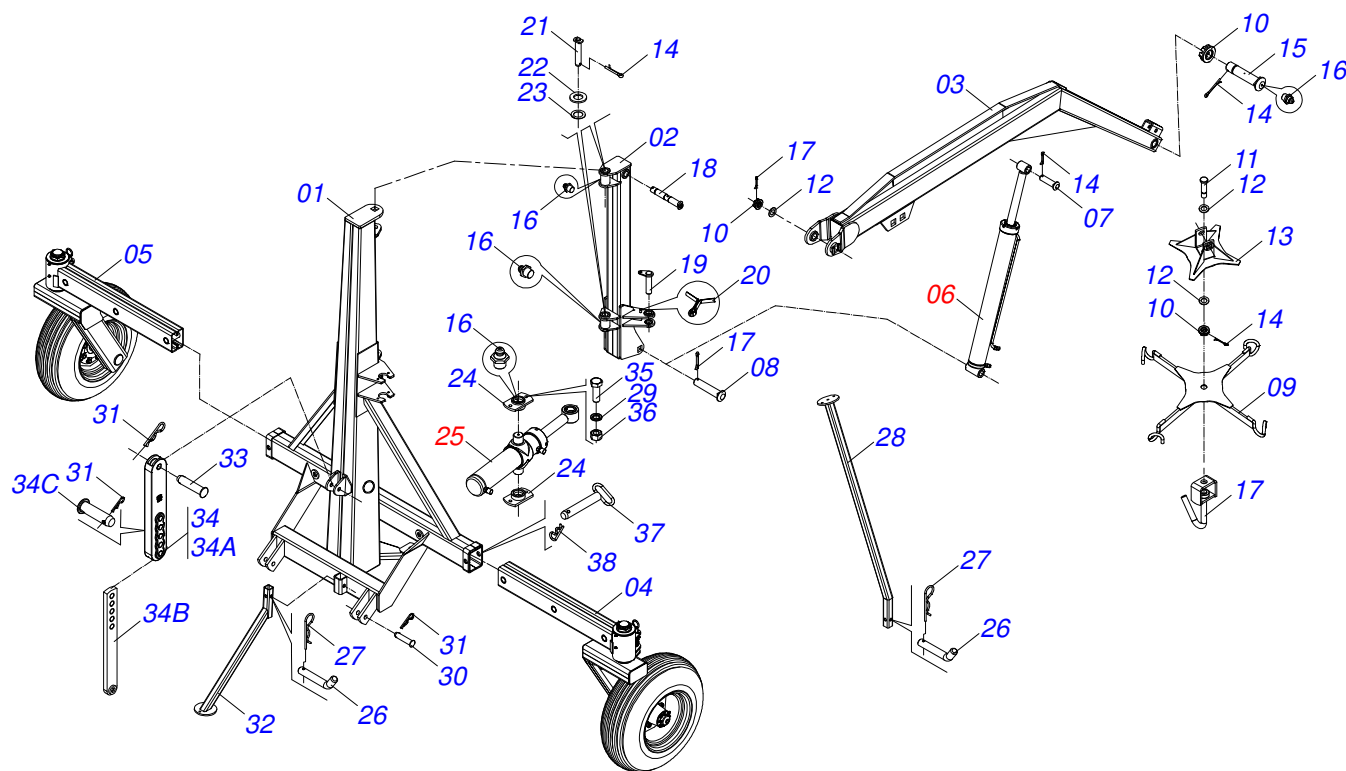
Marchesan S.A. reserves the right to improve and / or modify the technical features of its products, without obligation to do the same with those products already sold and without prior knowledge of the dealer or the consumer.



**MARCHESAN**

# INDEX

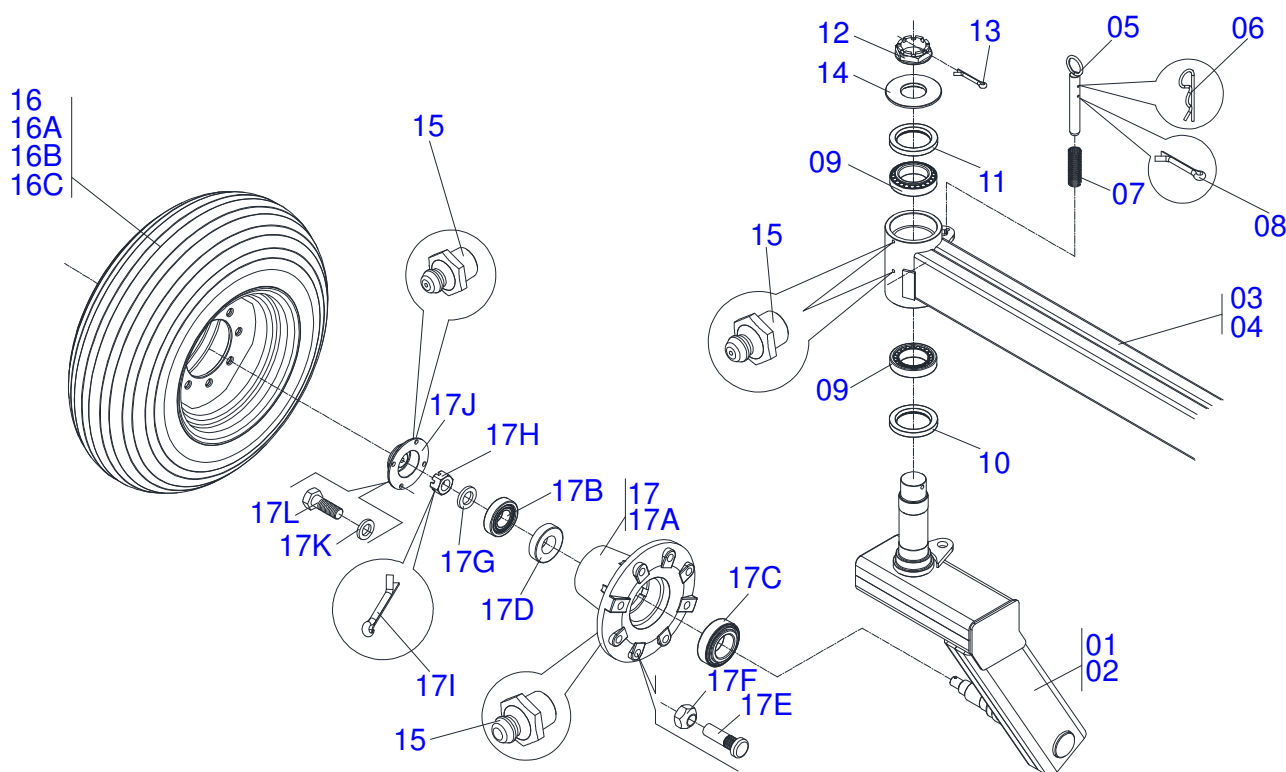
0909090501	ASSY FRAME	.....	1
0909090933	ASSY RIGHT WHEEL / LEFT ARM	.....	2
0909093252	HYDRAULIC CIRCUIT	.....	3
0511058407	HYDRAULIC CYLINDER	.....	4
0511058445	HYDRAULIC CYLINDER	.....	5



Item	Code	Description	See page	QT
01	0521060225	GATG BR TOWER		01
02	0521061767	SWIVEL TOWER		01
03	0521060226	CHARGING BAR		01
04	0521060212	LEFT ARM		01
05	0521060211	RIGHT ARM		01
06	0511058407	HYDRAULIC CYLINDER	4	01
07	0521063226	COUPLING SHAFT		01
08	0521063227	COUPLING SHAFT		01
09	0521060235	CROSSPIECE		01
10	0501011301	1.1/2 UNC 6FPP 2.5/16 NUT		03
11	0581011022	COUPLING SHAFT		01
12	0501012916	FLAT WASHER 38,50 X 66 X 4,75 ZN		03
13	0521060317	U COUPLING FOR CROSSPIECE		01
14	0503010073	3/8 X 3-1/2 COTTERPIN		04
15	0521012828	1.5" X 6.8" PIVOT SHAFT		01
16	0503010002	1800 GREASE FITTING		04
17	0521066708	HOOK HITCH		01
18	0521062101	PIVOT SHAFT		01
19	0521062127	PIVOT SHAFT		01
20	0503010257	1/8" X 1" COTTERPIN		01
21	0521063228	COUPLING SHAFT		01
22	0551012215	FLAT WASHER		02
23	0511019685	FLAT WASHER		02
24	0511061810	HYDRAULIC CYLINDER FIXING FLANGE		02
25	0511058445	HYDRAULIC CYLINDER	5	01
26	0501011075	PIN		02
27	0503030012	HAIR PIN		02
28	0521064328	PLOUGH SUPPORT		01
29	0503010019	1/2" SPRING WASHER		04
30	0521010596	COUPLING SHAFT		02
31	0503031035	HAIR PIN		04



Item	Code	Description	See page	QT
32	0521060304	PLOUGH SUPPORT FRONT		01
33	0521010579	COUPLING SHAFT		01
34	0521040658	ADJUSTMENT BAR		01
34A	1902012380	3P ADJUSTMENT BAR GUIDES		01
34B	0511065014	ADJUSTMENT BAR		01
34C	0521010575	C0.9" X 3.3" COUPLING SHAFT		01
35	0503010920	1/2" X 1.1/2" BOLT		04
36	0503010060	1/2" NUT		04
37	0501069080	COUPLING SHAFT		04
38	0503031035	HAIR PIN		04



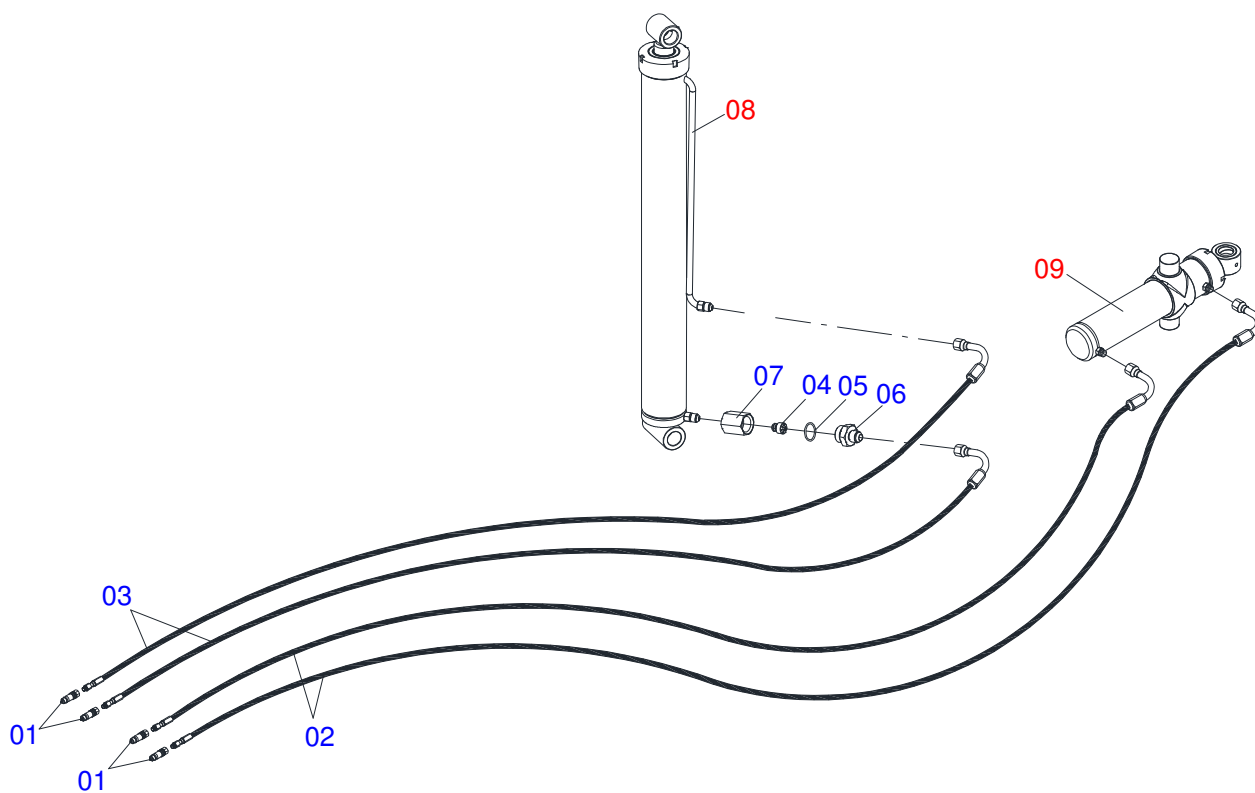
Item	Code	Description	See page	QT
01	0521060221	RIGHT CARRYING-WHEELS SUPPORT	01	01
02	0521060219	LEFT CARRYING-WHEELS SUPPORT	01	01
03	0521060211	RIGHT ARM	01	01
04	0521060212	LEFT ARM	01	01
05	0521064320	LOCK PIN	02	02
06	0503030012	HAIR PIN	02	02
07	0503030978	COMPRES SPRING	02	02
08	0503010131	3/16" X 1-1/2" COTTERPIN	02	02
09	0503010059	33287/33462 ROLLER BEARING	02	02
10	0503010050	SEAL 00085-B	02	02
11	0503012314	2-248 1G05195 O'RING	01	01
12	0502040080	2.1/2" SLOTTED NUT	01	01
13	0503010073	3/8 X 3-1/2 COTTERPIN	01	01
14	0541016926	HUB COVER	01	01
15	0503010002	1800 GREASE FITTING	04	04
16	0503060244	RODA C/ PNEU11L-15 10L 8F COMP GCRO	02	02
16A	0503012108	RODA 10 LB X 15 X 8F X 203 GCRO	02	02
16B	0503010860	CAMARA AR 11L 15	01	01
16C	0503010858	CANVAS TIRE	01	01
17	0501058791	STUB SHAFT & HUB ASSY	01	01
17A	0502012260	CAIXA RODADO TRANSPORTE	01	01
17B	0503010008	ROLAMENTO 3780/37203	01	01
17C	0503011156	ROLAMENTO 2780/2720 IMP	01	01
17D	0503013314	RETENTOR 5166-GB 63,5 X 110 X 13 ARCA	01	01
17E	0501010186	WHEEL SCREW 5/8UNF X 2.1/8CR	08	08
17F	0503010064	5/8 UNF CONIC NUT	08	08
17G	0511012492	ARRUELA LISA 28 X 46 X 6,30	01	01
17H	0503030009	1" CASTLE NUT	01	01
17I	0503010018	5/32 X 1-1/2 COTTERPIN	01	01
17J	0502020591	PROTECCION COVER	01	01
17K	0503011444	SPRING WASHER	04	04



ASSY RIGHT WHEEL / LEFT ARM

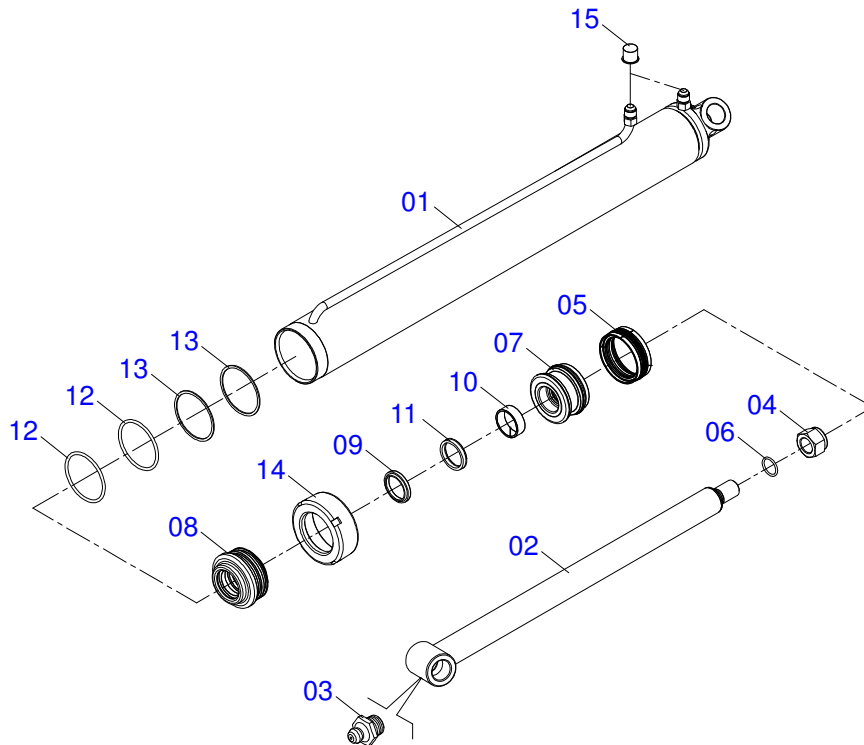
0909090933

Item	Code	Description	See page	QT
17L	0503010358	5/16" X 5/8" BOLT		04

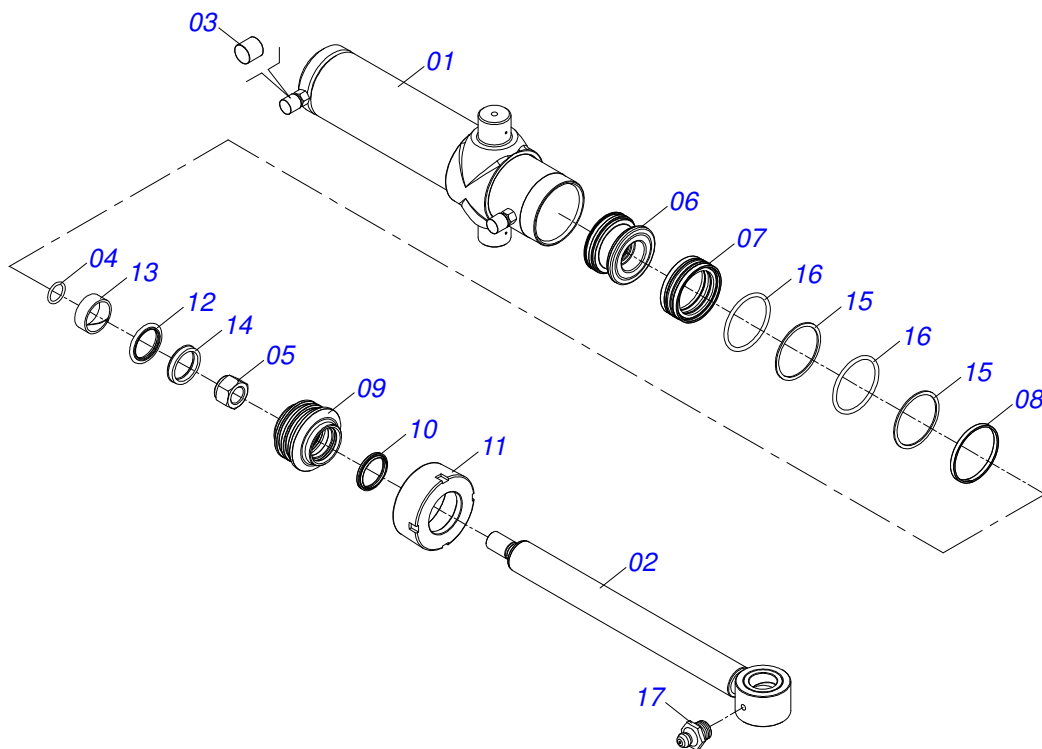


Item	Code	Description	See page	QT
01	0501053834	MALE QUICK COUPLER WITH CAP - 1/2 NPT		04
02	0501081417	3/8 X 2500 TC- TM HOSE		02
03	0501080097	HOSE 1/2 X 2500 TC-TM		02
04	0503016854	VALVE ASSY		01
05	0503013467	2123 29,82X2,62 O'RING		01
06	0571014683	NIPLE		01
07	0571014684	FIXER ADAPTER		01
08	0511058407	HYDRAULIC CYLINDER	4	01
09	0511058445	HYDRAULIC CYLINDER	5	01





Item	Code	Description	See page	QT
001	0521061768	101,6 X 1056 CYLINDER CASE		01
002	0521061769	50,8 X 1088 ROD		01
003	0503010002	1800 GREASE FITTING		02
004	0503010817	1.1/4" SELF LOCKING NUT		01
005	0503015633	SELEMASTER SEALING		01
006	0503010345	2-218 N 3006-9B O'RING		01
007	0502012842	50,80 X 101,60 PISTON		01
008	0581010678	50,80 X 101 RING SUPPORT		01
009	0503015636	SCRAPER SEAL		01
010	0503018025	RING GUIDE		01
011	0503018026	1870-2000-375 B GASKET		01
012	0503010338	2-342 N 3006-9B O'RING		02
013	0503011061	8-342 BACK-UP RING		02
014	0502012822	101.60 END CAP		01
015	0503030387	PLUG		02



Item	Code	Description	See page	QT
001	0521061771	CYLINDER CASE		01
002	0521061770	44,45 X 517 ROD		01
003	0503030385	CYLINDER PLUG N-002		02
004	0503010042	2-214 N 3006-9B O'RING		01
005	0503010063	1" SELF-ALIGNING NUT		01
006	0571019710	1.7" X 3.4" PISTON		01
007	0503017935	RING		01
008	0503018144	RING		01
009	0571019711	RING SUPPORT		01
010	0503010761	D-1750 SCRAPER RING		01
011	0571019709	DETACHABLE COVER		01
012	0503017936	RING		01
013	0503017938	RING GUIDE		01
014	0503017937	GASKET		01
015	0503017940	8-337 BACK-UP RING		02
016	0503017939	2-337 N 3006-9B O' RING		02
017	0503010002	1800 GREASE FITTING		01





[www.marchesan.com.br](http://www.marchesan.com.br)



**Technical Publications | Elaboration and Revision**  
JOÃO VIRGINIO ROCHA