

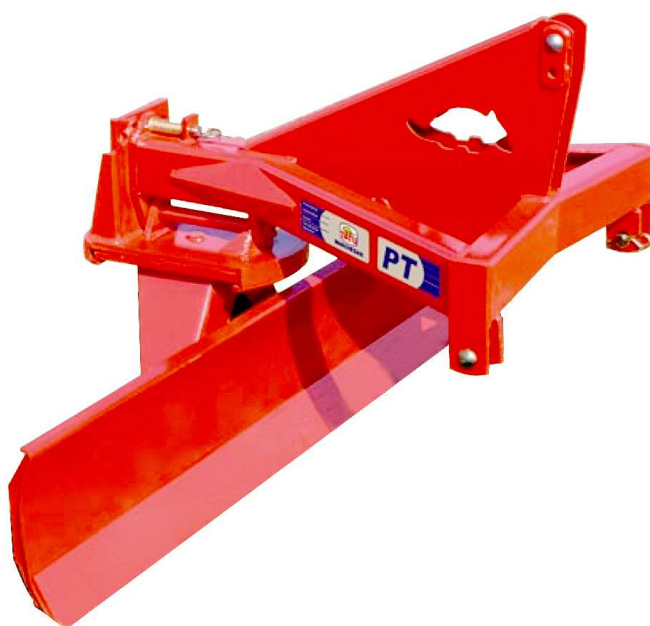
AUXILIARY PRODUCTS

Code:

0501091249

Product:

PT



Series:

S-0997

Revision:

00

Date Revision:

MAIO/2016



PRODUCTS

Code	Description	
0106060008	PT	S-0997
0106060010	PT C/R	S-0997
0106060009	PTL	S-0997
0106060033	PTL 2500	S-0113
0106060011	PTL C/R	S-0997
0106060013	PTL-A	S-0397
0106060016	PTL-A C/R	S-0397

ATTENTION: IMPORTANT

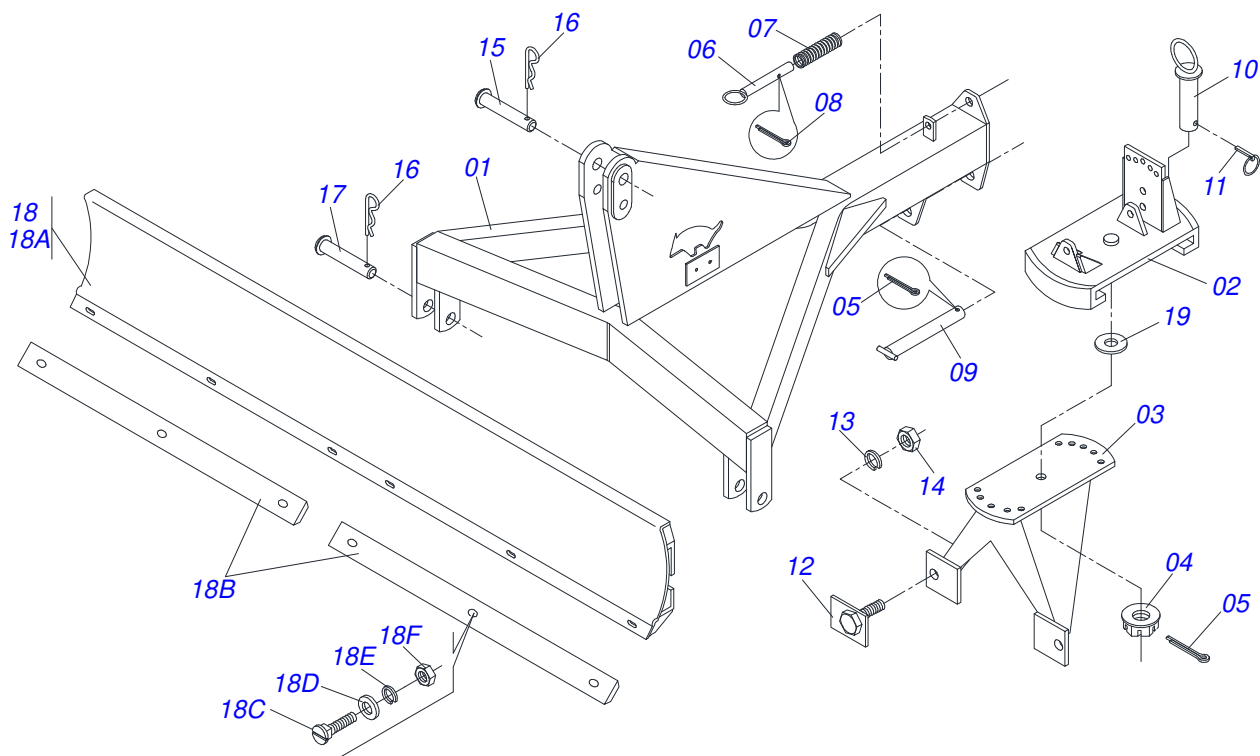
Marchesan S.A. reserves the right to improve and / or modify the technical features of its products, without obligation to do the same with those products already sold and without prior knowledge of the dealer or the consumer.



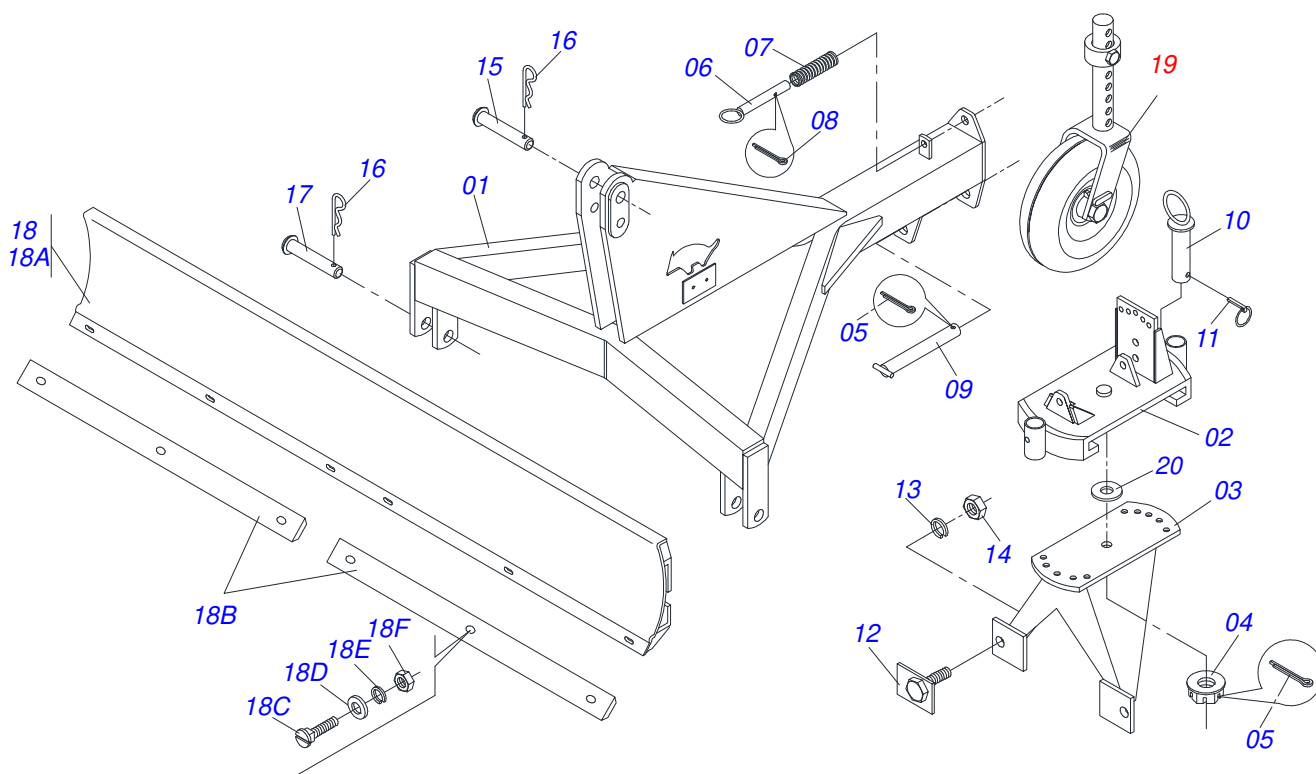
MARCHESAN

INDEX

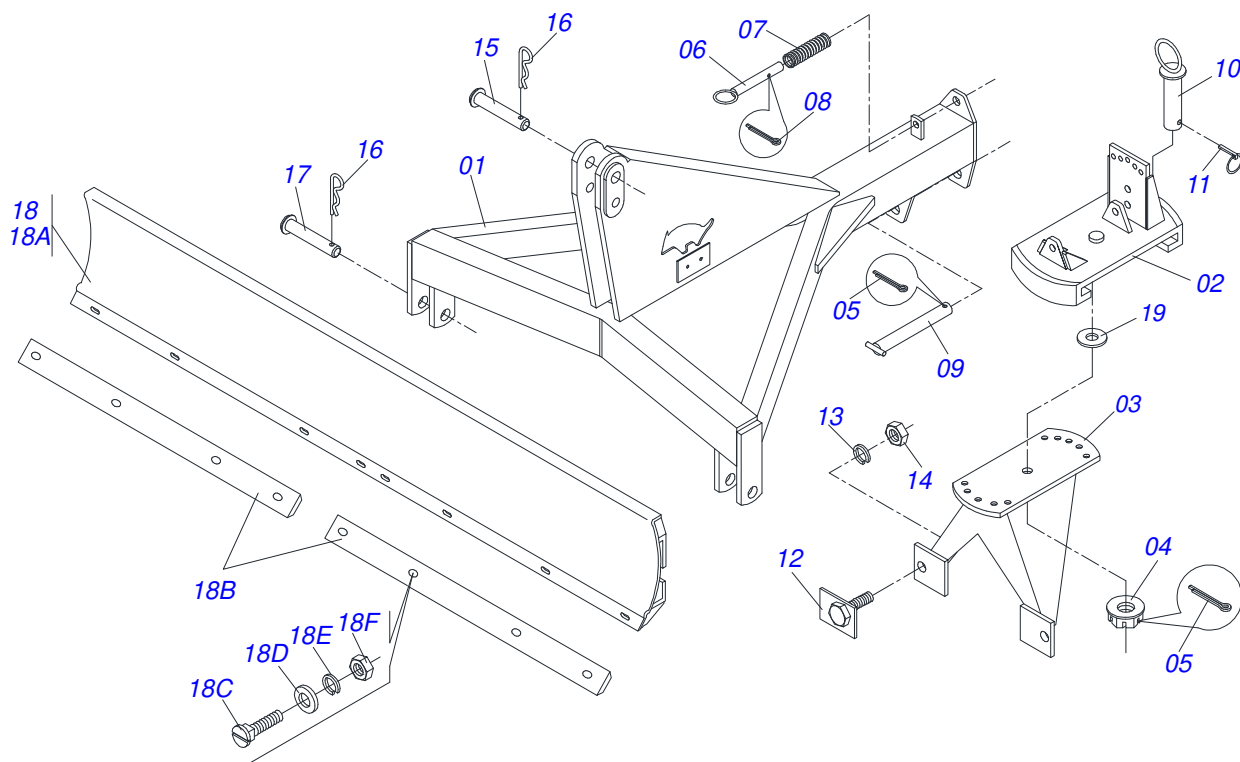
0909093116	FRAME PT	1
0909093117	FRAME PT W/H	2
0909093118	FRAME PTL	3
0909093119	FRAME PTL W/H	4
0909093120	FRAME PTL-A	5
0909093121	FRAME PTL-A C/R	6
0909090507	PTL 2500 SÉRIE 01/13 FRAME	7
0511047879	WHEEL FORK ASSY	8



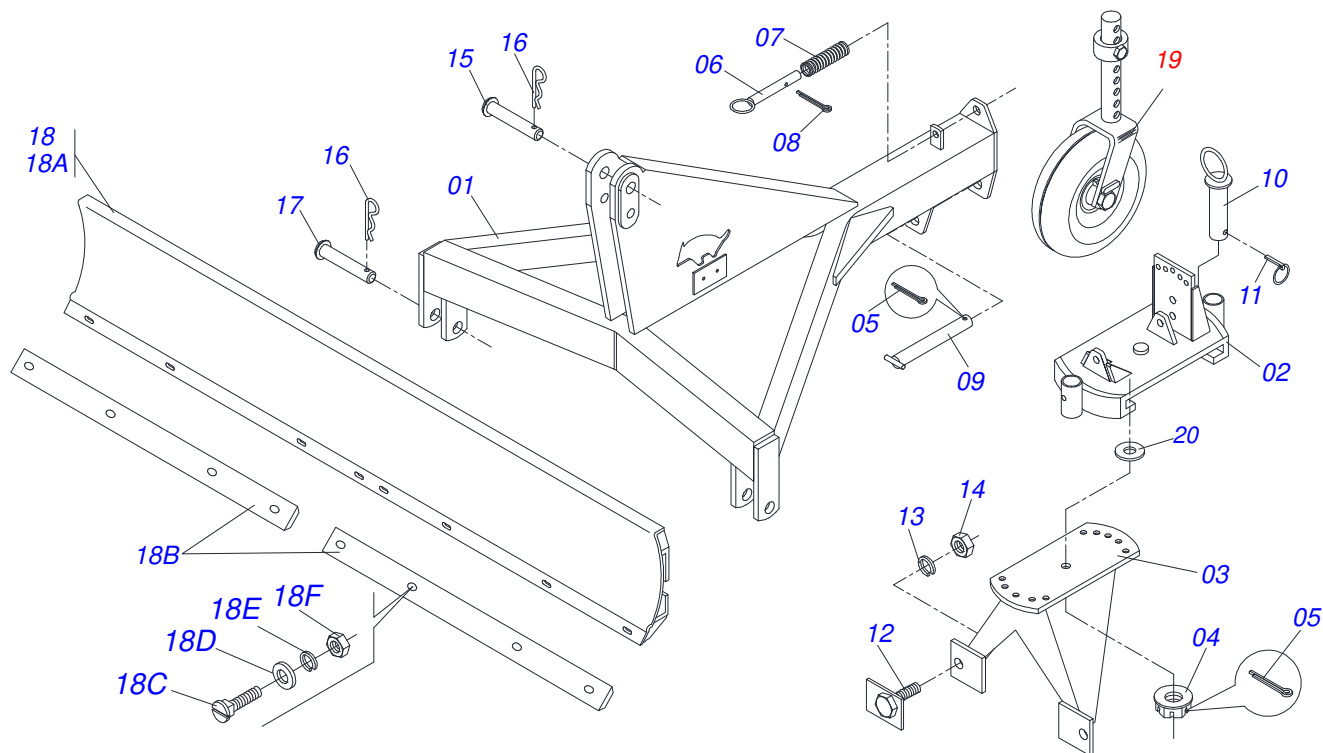
Item	Code	Description	See page	QT
01	0501063735	FRAME	01	01
02	0501063730	REGULATOR BASE	01	01
03	0501061016	SUPPORT	01	01
04	0501011301	1.1/2 UNC 6FPP 2.5/16 NUT	01	01
05	0503010010	1/4" X 2.1/2" COTTERPIN	02	02
06	0501068990	COUPLING SHAFT	01	01
07	0503030517	1.27" X 4.72"X 0.9" SPRING	01	01
08	0503010018	5/32 X 1-1/2 COTTERPIN	01	01
09	0501062976	PIVOT SHAFT	01	01
10	0501069239	COUPLING SHAFT	01	01
11	0503030119	LOCK PIN	01	01
12	0501061017	ADJUSTMENT LOCKNUT	02	02
13	0503011438	SPRING WASHER	02	02
14	0501010059	1.5/8 NUT	02	02
15	0521010579	COUPLING SHAFT	01	01
16	0503031035	HAIR PIN	03	03
17	0521010595	1.1" X 4.3" COUPLING SHAFT	02	02
18	0501047772	1800 MM BLADE SUPPORT	01	01
18A	0501068676	70.87" BLADE SUPPORT	01	01
18B	0521010198	SCRAPER 900 PT S-0997	02	02
18C	0503012956	1/2" X 1-1/2" BOLT	06	06
18D	0511017302	FLAT WASHER	06	06
18E	0503011440	SPRING WASHER	06	06
18F	0503010020	1/2"NUT	06	06
19	0501810287	FLAT WASHER	01	01



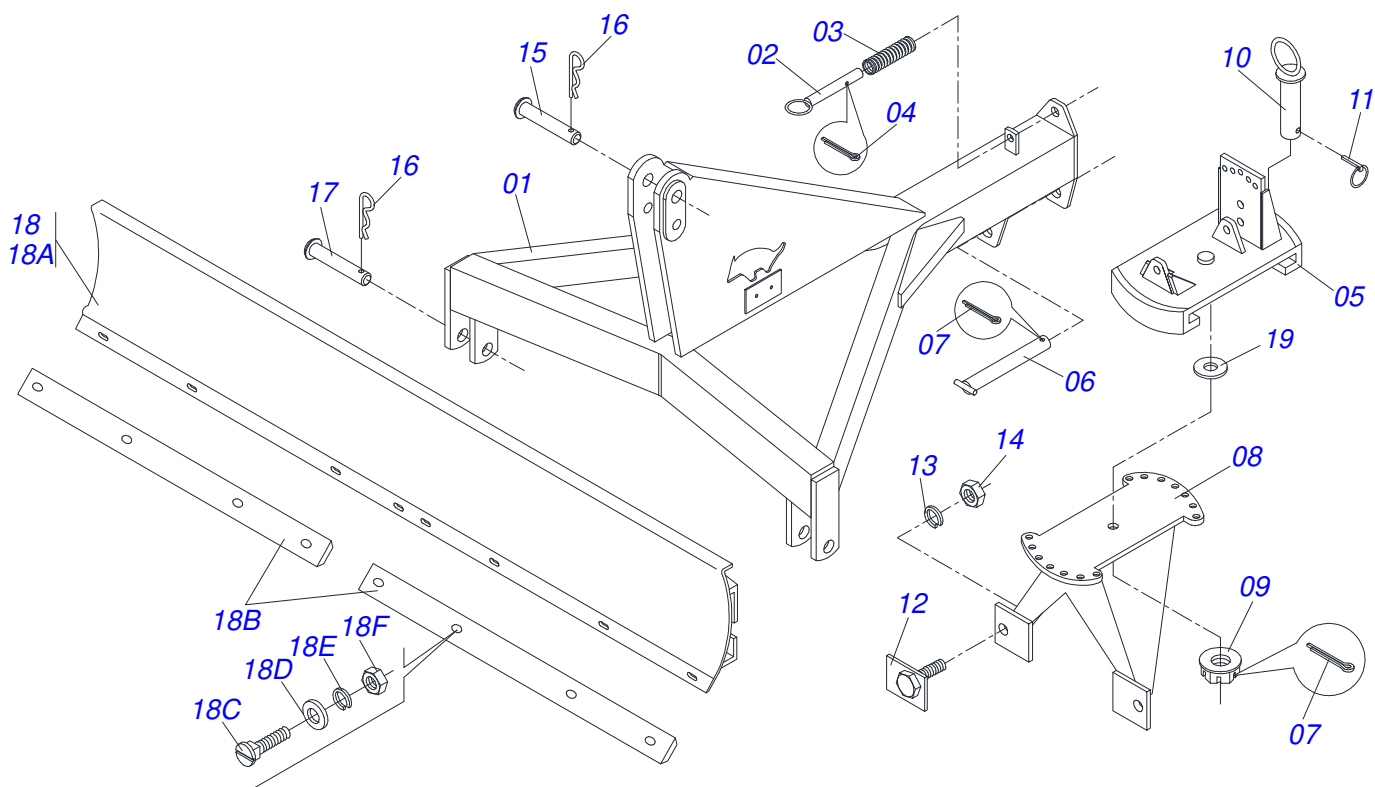
Item	Code	Description	See page
01	0501063735	FRAME	01
02	0501067548	REGULATOR BASE W/BUSHING	01
03	0501061016	SUPPORT	01
04	0501011301	1.1/2 UNC 6FPP 2.5/16 NUT	01
05	0503010010	1/4" X 2.1/2" COTTERPIN	02
06	0501068990	COUPLING SHAFT	01
07	0503030517	1.27" X 4.72"X 0.9" SPRING	01
08	0503010018	5/32 X 1-1/2 COTTERPIN	01
09	0501062976	PIVOT SHAFT	01
10	0501069239	COUPLING SHAFT	01
11	0503030119	LOCK PIN	01
12	0501061017	ADJUSTMENT LOCKNUT	02
13	0503010019	1/2" SPRING WASHER	02
14	0501010059	1.5/8 NUT	02
15	0521010579	COUPLING SHAFT	01
16	0503031035	HAIR PIN	03
17	0521010595	1.1" X 4.3" COUPLING SHAFT	02
18	0501047772	1800 MM BLADE SUPPORT	01
18A	0501068676	70.87" BLADE SUPPORT	01
18B	0521010199	SCRAPER 1150	02
18C	0503012956	1/2" X 1-1/2" BOLT	06
18D	0511017302	FLAT WASHER	06
18E	0503011440	SPRING WASHER	06
18F	0503010020	1/2"NUT	06
19	0511047879	WHEEL FORK ASSY	8 06
20	0501810287	FLAT WASHER	



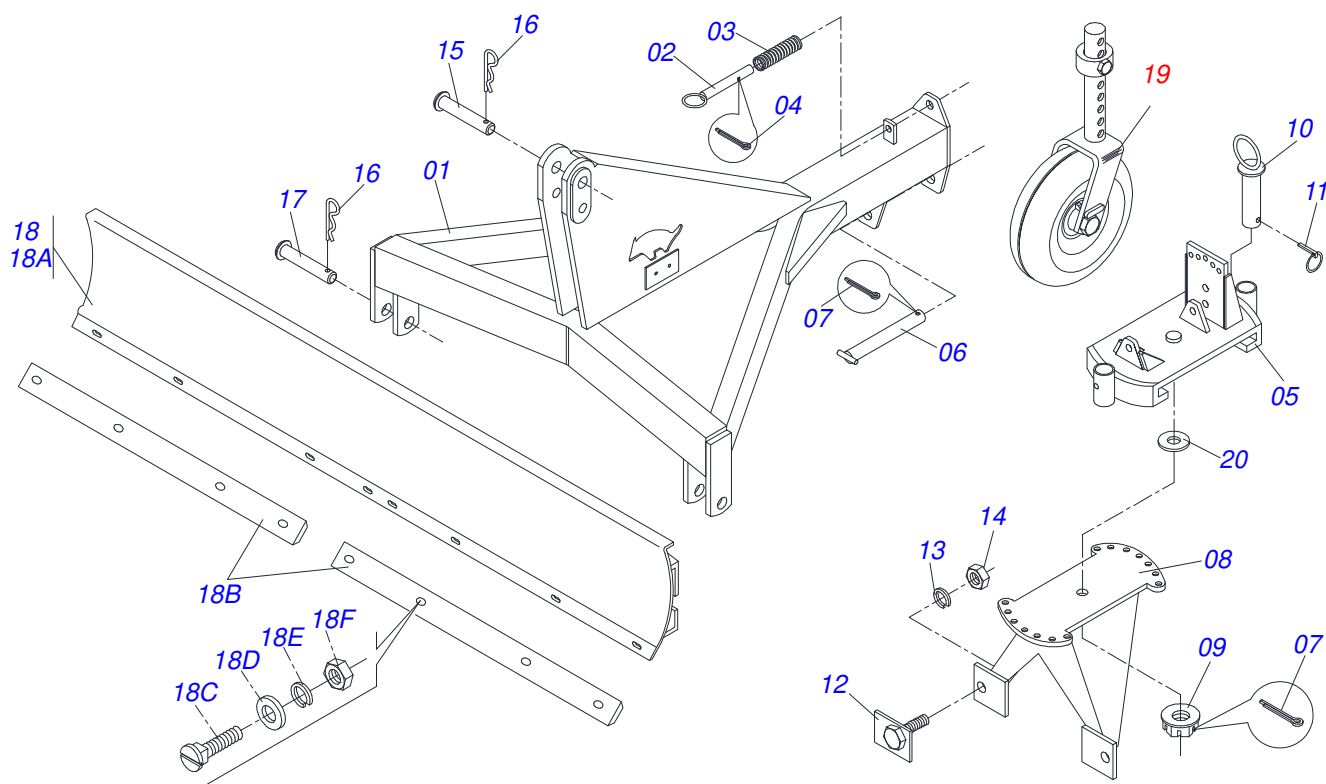
Item	Code	Description	See page	QT
01	0501063734	FRAME		01
02	0501063730	REGULATOR BASE		01
03	0501061016	SUPPORT		01
04	0501011301	1.1/2 UNC 6FPP 2.5/16 NUT		01
05	0503010010	1/4" X 2.1/2" COTTERPIN		02
06	0501068990	COUPLING SHAFT		01
07	0503030517	1.27" X 4.72"X 0.9" SPRING		01
08	0503010018	5/32 X 1-1/2 COTTERPIN		01
09	0501062976	PIVOT SHAFT		01
10	0501069239	COUPLING SHAFT		01
11	0503030119	LOCK PIN		01
12	0501061017	ADJUSTMENT LOCKNUT		02
13	0503010019	1/2" SPRING WASHER		02
14	0501010059	1.5/8 NUT		02
15	0521010579	COUPLING SHAFT		01
16	0503031035	HAIR PIN		03
17	0521010595	1.1" X 4.3" COUPLING SHAFT		02
18	0501047773	230 BLADE SUPPORT		01
18A	0501068819	90.95" BLADE SUPPORT		01
18B	0521010199	SCRAPER 1150		02
18C	0503012956	1/2" X 1-1/2" BOLT		08
18D	0511017302	FLAT WASHER		08
18E	0503011440	SPRING WASHER		08
18F	0503010020	1/2"NUT		08
19	0501810287	FLAT WASHER		01



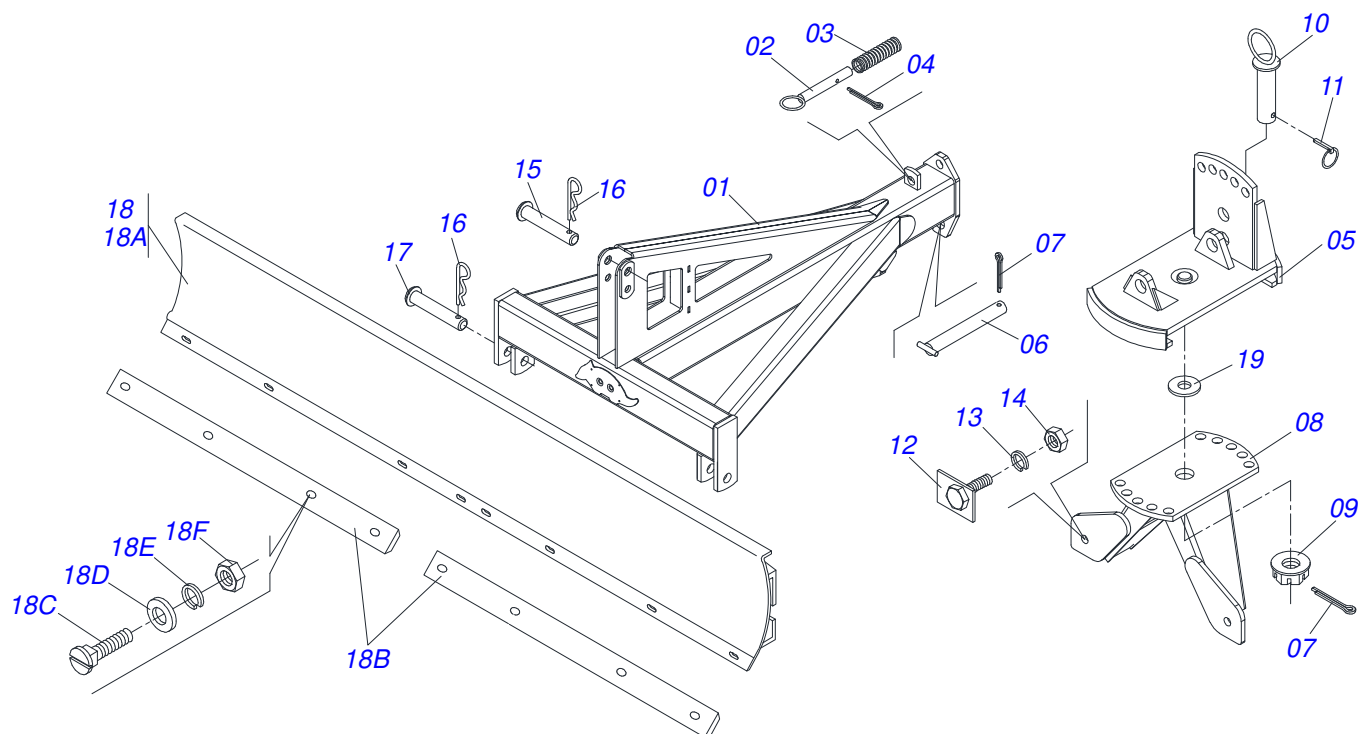
Item	Code	Description	See page
01	0501063734	FRAME	01
02	0501067548	REGULATOR BASE W/BUSHING	01
03	0501061016	SUPPORT	01
04	0501011301	1.1/2 UNC 6FPP 2.5/16 NUT	01
05	0503010010	1/4" X 2.1/2" COTTERPIN	02
06	0501068990	COUPLING SHAFT	01
07	0503030517	1.27" X 4.72"X 0.9" SPRING	01
08	0503010018	5/32 X 1-1/2 COTTERPIN	01
09	0501062976	PIVOT SHAFT	01
10	0501069239	COUPLING SHAFT	01
11	0503030119	LOCK PIN	01
12	0501061017	ADJUSTMENT LOCKNUT	02
13	0503011438	SPRING WASHER	02
14	0501010059	1.5/8 NUT	02
15	0521010579	COUPLING SHAFT	01
16	0503031035	HAIR PIN	03
17	0521010595	1.1" X 4.3" COUPLING SHAFT	02
18	0501047773	230 BLADE SUPPORT	01
18A	0501068819	90.95" BLADE SUPPORT	01
18B	0521010199	SCRAPER 1150	02
18C	0503012956	1/2" X 1-1/2" BOLT	08
18D	0511017302	FLAT WASHER	08
18E	0503011440	SPRING WASHER	08
18F	0503010020	1/2"NUT	08
19	0511047879	WHEEL FORK ASSY	01
20	0501810287	FLAT WASHER	01



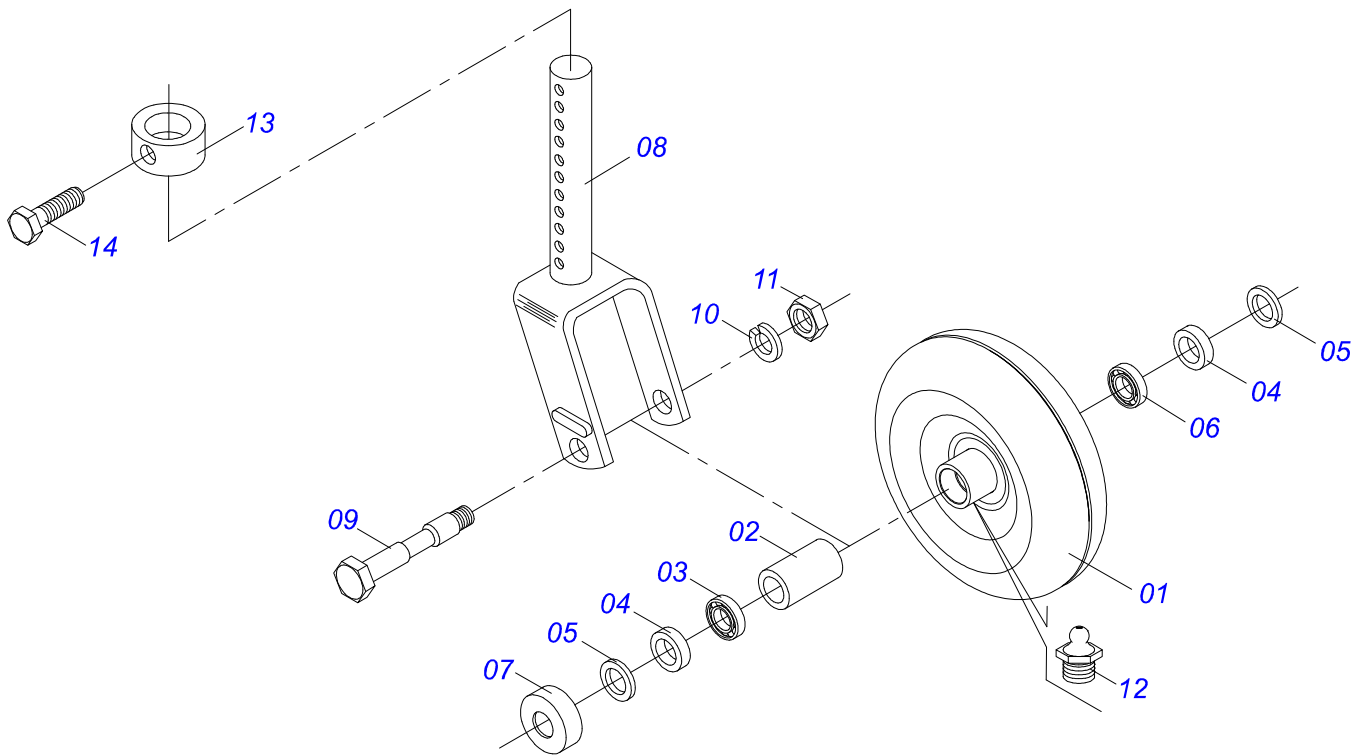
Item	Code	Description	See page	QT
01	0501063734	FRAME	01	01
02	0501068990	COUPLING SHAFT	01	01
03	0503030517	1.27" X 4.72"X 0.9" SPRING	01	01
04	0503010018	5/32 X 1-1/2 COTTERPIN	01	01
05	0501063730	REGULATOR BASE	01	01
06	0501062976	PIVOT SHAFT	01	01
07	0503010010	1/4" X 2.1/2" COTTERPIN	02	02
08	0501068687	SUPPORT	01	01
09	0501011301	1.1/2 UNC 6FPP 2.5/16 NUT	01	01
10	0501069239	COUPLING SHAFT	01	01
11	0503030119	LOCK PIN	01	01
12	0501061017	ADJUSTMENT LOCKNUT	02	02
13	0503011438	SPRING WASHER	02	02
14	0501010059	1.5/8 NUT	02	02
15	0521010579	COUPLING SHAFT	01	01
16	0503031035	HAIR PIN	03	03
17	0521010595	1.1" X 4.3" COUPLING SHAFT	02	02
18	0501047580	BLADE SUPPORT ASSY	01	01
18A	0501068688	2300MM BLADE SUPPORT	01	01
18B	0622360021	SCRAPER 1150 X 124 X 9,5 PTL-A	02	02
18C	0503012956	1/2" X 1-1/2" BOLT	08	08
18D	0511017302	FLAT WASHER	08	08
18E	0503011440	SPRING WASHER	08	08
18F	0503010020	1/2"NUT	08	08
19	0501810287	FLAT WASHER	01	01



Item	Code	Description	See page	QT
01	0501063734	FRAME		01
02	0501068990	COUPLING SHAFT		01
03	0503030517	1.27" X 4.72"X 0.9" SPRING		01
04	0503010018	5/32 X 1-1/2 COTTERPIN		01
05	0501067548	REGULATOR BASE W/BUSHING		01
06	0501062976	PIVOT SHAFT		01
07	0503010010	1/4" X 2.1/2" COTTERPIN		02
08	0501068687	SUPPORT		01
09	0501011301	1.1/2 UNC 6FPP 2.5/16 NUT		01
10	0501069239	COUPLING SHAFT		01
11	0503030119	LOCK PIN		01
12	0501061017	ADJUSTMENT LOCKNUT		02
13	0503011438	SPRING WASHER		02
14	0501010059	1.5/8 NUT		02
15	0521010579	COUPLING SHAFT		01
16	0503031035	HAIR PIN		03
17	0521010595	1.1" X 4.3" COUPLING SHAFT		02
18	0501047580	BLADE SUPPORT ASSY		01
18A	0501068688	2300MM BLADE SUPPORT		01
18B	0622360021	SCRAPER 1150 X 124 X 9,5 PTL-A		02
18C	0503012956	1/2" X 1-1/2" BOLT		08
18D	0511017302	FLAT WASHER		08
18E	0503011440	SPRING WASHER		08
18F	0503010020	1/2"NUT		08
19	0511047879	WHEEL FORK ASSY	8	01
20	0501810287	FLAT WASHER		01



Item	Code	Description	See page	QT
01	0521063567	FRAME PTL 2500		01
02	0501068990	COUPLING SHAFT		01
03	0503030517	1.27" X 4.72"X 0.9" SPRING		01
04	0503010018	5/32 X 1-1/2 COTTERPIN		01
05	0501063730	REGULATOR BASE		01
06	0501062976	PIVOT SHAFT		01
07	0503010010	1/4" X 2.1/2" COTTERPIN		02
08	0521063566	DOOR BLADE SUPPORT		01
09	0501011301	1.1/2 UNC 6FPP 2.5/16 NUT		01
10	0501069239	COUPLING SHAFT		01
11	0503030119	LOCK PIN		01
12	0501061017	ADJUSTMENT LOCKNUT		02
13	0503011438	SPRING WASHER		02
14	0501010059	1.5/8 NUT		02
15	0521010579	COUPLING SHAFT		01
16	0503031035	HAIR PIN		03
17	0521010595	1.1" X 4.3" COUPLING SHAFT		02
18	0521041529	BLADE SUPPORT		01
18A	0521063565	2500 BLADE SUPPORT		01
18B	0622360022	SCRAPER REVERSIBLE 2500 PTL		02
18C	0501012239	5/8" X 1.3/4" BOLT		08
18D	0501012140	FLAT WASHER		08
18E	0503010027	5/8" SPRING WASHER		08
18F	0503010013	5/8" NUT		08
19	0501810287	FLAT WASHER		01



Item	Code	Description	See page	QT
01	0501063309	13.8" X 4.33" WHEEL ASSY		01
02	0521010460	0.9" X 1.1" X 2.9" SLEEVE		01
03	0503010269	6204 BALL BEARING		01
04	0521010487	SPACER WASHER		02
05	0503010268	00262-B SEAL		02
06	0503010269	6204 BALL BEARING		01
07	0511014254	DUST CLOAK		02
08	0501066590	WHEEL FORK		01
09	0501017143	WHEEL AXLE		01
10	0503011442	3/4" SPRING WASHER		01
11	0503010014	3/4" NUT		01
12	0503010002	1800 GREASE FITTING		02
13	0502040462	45,4 SLEEVE		02
14	0501018535	1/2 X 1 BOLT		02



www.marchesan.com.br



Technical Publications | Elaboration and Revision
JOÃO VIRGINIO ROCHA