

**AUXILIARY PRODUCTS**

**PS**

**Code:** 0501091248  
**Series:** S-0678  
**Revision:** 00  
**Date Revision:** AGOSTO/2021

# PARTS CATALOGUE



**MARCHESAN**



# PRODUCTS

Code	Description
0105010018C	PS C/2 BROCAS 12" S-0678 EXP
0105010020	PS C/2 BROCAS 9"/ 1 BROCA 12" S-0678
0105010018	PS C/2 BROCAS 12" S-0678
0105010026	PS C/3 BROCAS 12" S-0678
0105010026C	PS C/3 BROCAS 12" S-0678 EXP
0105010019	PS C/3 BROCAS 9" S-0678
0105010002	PS C/BROCA 12" S-0678
0105010002C	PS C/BROCA 12" S-0678 EXP
0105010022	PS C/BROCA 12" CARDAN 40X970 S-0678
0105010003	PS C/BROCA 18" S-0678
0105010023	PS C/BROCA 18" C/CARDAN 40X970 S-0678
0105010001	PS C/BROCA 9" S-0678
0105010008	PS C/BROCAS 12"/18" S-0678
0105010008C	PS C/BROCAS 12"/18" S-0678 EXP
0105010025	PS C/BROCAS 12"/18" C/CARDAN 40X970 S-0678
0105010006	PS C/BROCAS 9"/12" S-0678
0105010006C	PS C/BROCAS 9"/12" S-0678 EXP
0105010024	PS C/BROCAS 9"/12" C/CARDAN 40X970 S-0678
0105010005	PS C/BROCAS 9"/12"/18" S-0678
0105010005C	PS C/BROCAS 9"/12"/18" S-0678 EXP
0105010007	PS C/BROCAS 9"/18" S-0678
0105010004	PS S/BROCAS S-0678

## ATTENTION: IMPORTANT

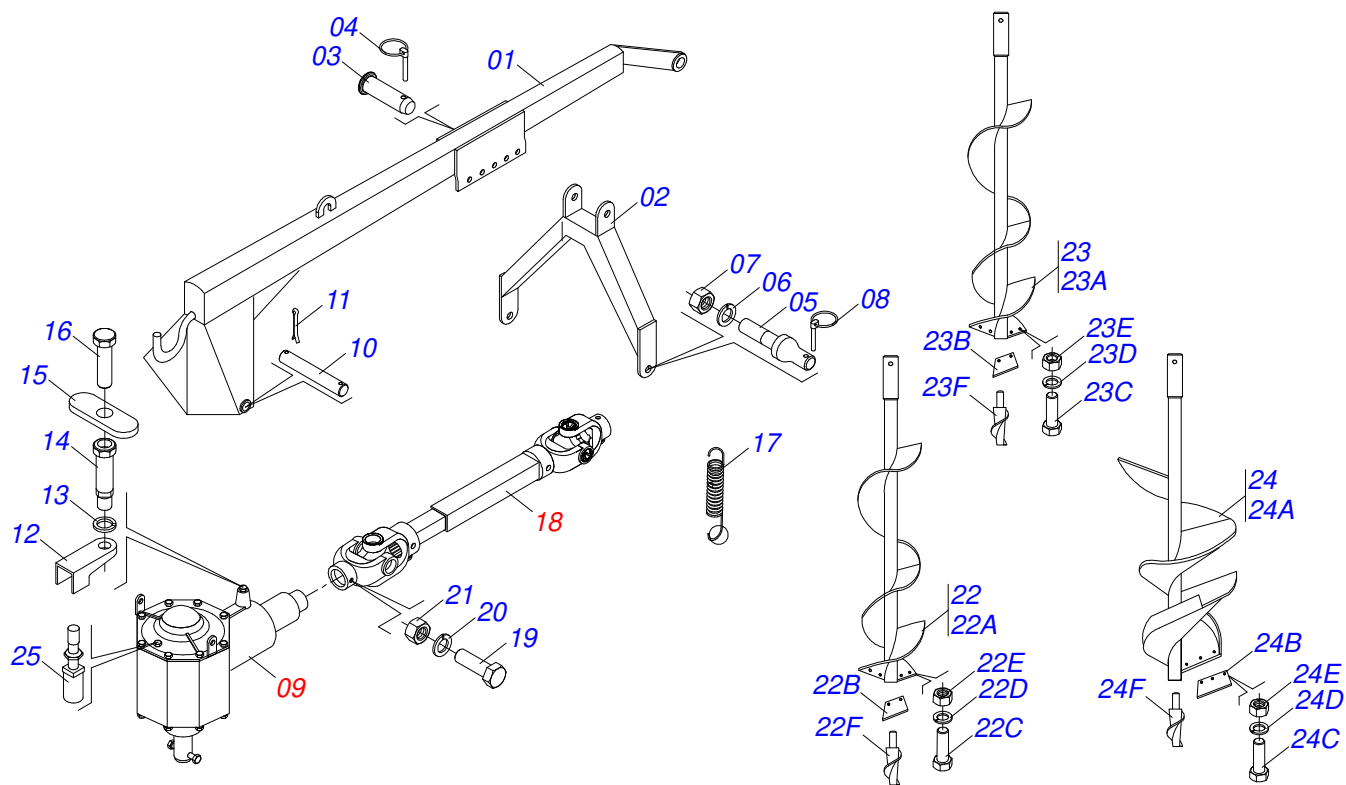
Marchesan S.A. reserves the right to improve and / or modify the technical features of its products, without obligation to do the same with those products already sold and without prior knowledge of the dealer or the consumer.



**MARCHESAN**

# INDEX

0909090506	ASSY FRANE	.....	1
0501040163	REDUCTION	.....	2
0501047947	DRIVE SHAFT	.....	3

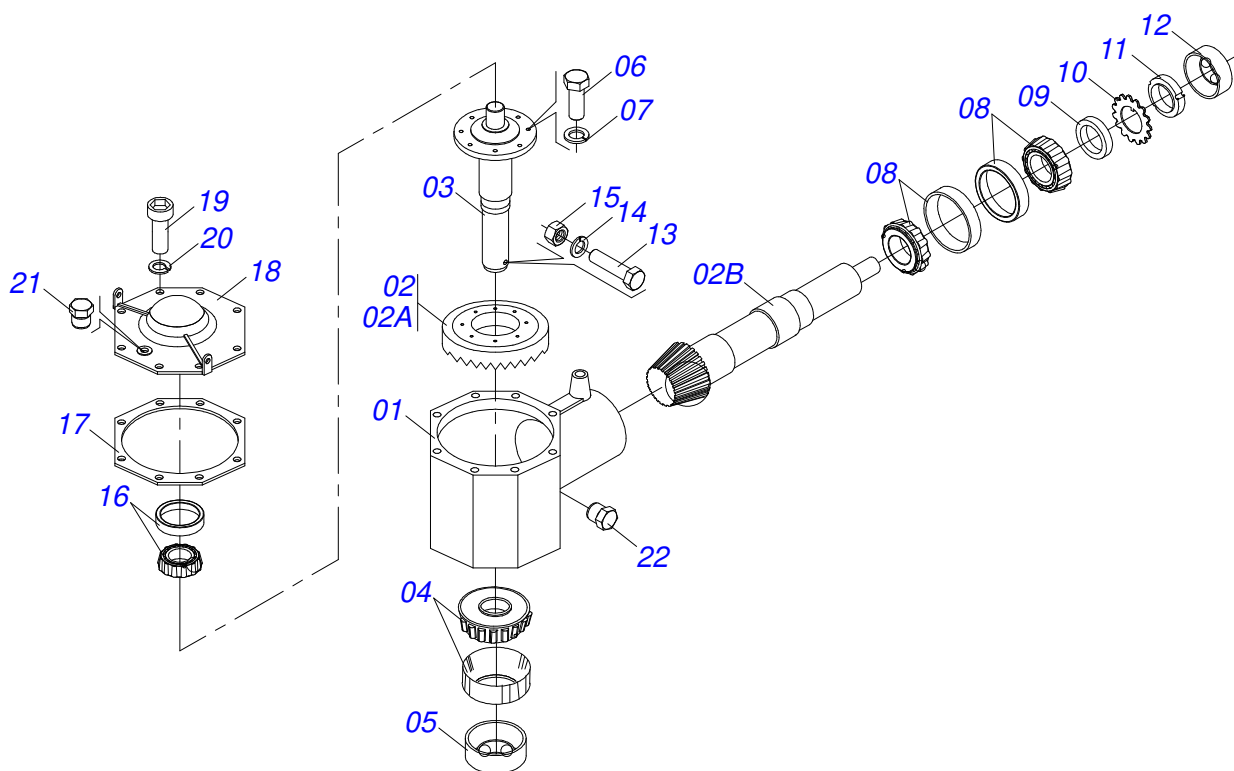


Item	Code	Description	See page	09"	12"	18"
01	0501061024	FRAME		01	01	01
02	0501061025	DRAWBAR		01	01	01
03	0521010589	0.9" X 8.3" COUPLING SHAFT		01	01	01
04	0503030085	LOCK PIN		01	01	01
05	0521010635	2" X 5.7" COUPLING SHAFT		02	02	02
06	0503010012	1" SPRING WASHER		02	02	02
07	0503010340	1" NUT		02	02	02
08	0503030430	7/16 X 2" PIN LOCK		02	02	02
09	0501040163	REDUCTION	2	01	01	01
10	0521010525	1" X 13" COUPLING SHAFT		01	01	01
11	0503010571	1/4" X 1.1/2 COTTERPIN		02	02	02
12	0501013135	SPRING SUPPORT		01	01	01
13	0503010012	1" SPRING WASHER		01	01	01
14	0501061030	BEATER GUIDE BOLT		01	01	01
15	0501016857	LOCK LOCKNUT		01	01	01
16	0501019669	BOLT		01	01	01
17	0503030024	1.7" X10.2" X 0.2" EXTENSION SPRING		01	01	01
18	0501047947	DRIVE SHAFT	3	01	01	01
19	0503010479	BOLT		01	01	01
20	0503010019	1/2" SPRING WASHER		05	05	07
21	0503010060	1/2" NUT		05	05	07
22	0501040204	DRILL		01	00	00
22A	0501061027	DRILL BODY		01	00	00
22B	0622380012	DRILL FOR POINT		02	00	00
22C	0503010920	1/2" X 1.1/2" BOLT		04	00	00
22D	0503011440	SPRING WASHER		04	00	00
22E	0503810060	NUT 1/2 NC S SA		04	00	00
22F	0502040081	DRILL POINT		01	00	00
23	0501040216	12" DRILL		00	01	00
23A	0501061028	12" DRILL BODY		00	01	00
23B	0622380013	12" DRILL FOR POINT		00	02	00

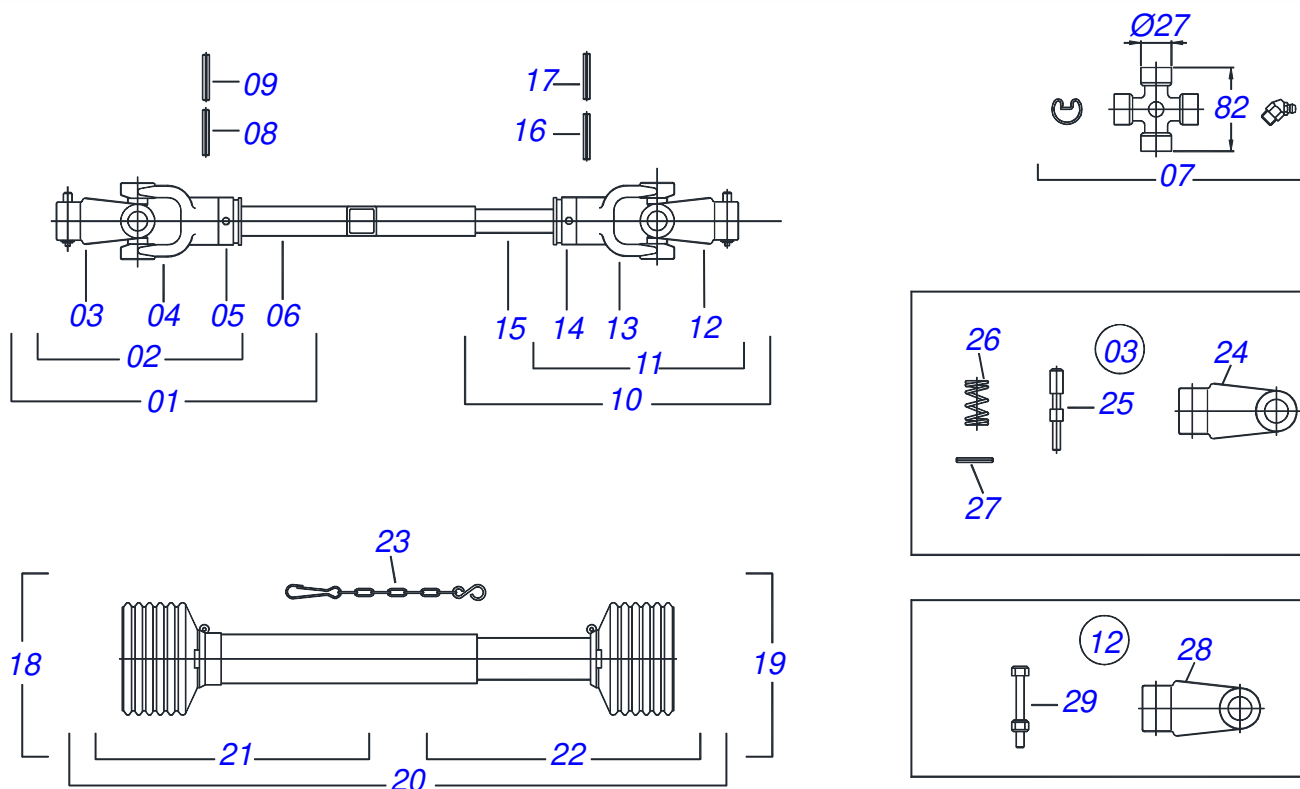


PS  
ASSY FRANE

Item	Code	Description	See page	09"	12"	18"
23C	0503810920	1/2 UNC X 1.1/2 C S G.5 SCREW		00	04	00
23D	0503011440	SPRING WASHER		00	04	00
23E	0503810060	NUT 1/2 NC S SA		00	04	00
23F	0502040081	DRILL POINT		00	01	00
24	0501040191	18" DRILL		00	00	01
24A	0501061029	DRILL BODY		00	00	01
24B	0622380001	18" DRILL POINT		00	00	02
24C	0503810920	1/2 UNC X 1.1/2 C S G.5 SCREW		00	00	04
24D	0503011440	SPRING WASHER		00	00	04
24E	0503810060	NUT 1/2 NC S SA		00	00	04
24F	0502040081	DRILL POINT		00	01	00
25	0503010325	VCA-118 VALVE		01	01	01



Item	Code	Description	See page	QT
01	0502010241	BOX		01
02	0503060061	CONICAL GEAR ASSY		01
02A	0503030059	49Z CONICAL GEAR		01
02B	0503030646	PINION		01
03	0501061035	GEAR AXLE		01
04	0503010104	3984/3920 ROLLER BEARING		01
05	0503010085	00051-BR SEAL		01
06	0503010119	7/16" X 1-1/4" BOLT		08
07	0503010180	7/16" SPRING WASHER		08
08	0503010102	25577/25523 ROLLER BEARING		02
09	0501010237	FLAT WASHER		01
10	0503010210	LOCK WASHER		01
11	0503010211	KM- 8 LOCKNUT		01
12	0503010079	5042 SEAL		01
13	0501010163	5/8" X 4-1/2" BOLT		01
14	0503010027	5/8" SPRING WASHER		01
15	0503010013	5/8" NUT		01
16	0503010801	3782/3720 BEARING		01
17	0503030057	10.4" X 9" X 0.1" JOINT		06
18	0502040070	COVER SUPPORT		01
19	0503010321	1/2" X 1-1/2" BOLT		08
20	0503011440	SPRING WASHER		08
21	0503010856	OIL PLUG		01
22	0511017907	1/8" BSPT X 6 PLUG		01



Item	Code	Description	See page
01	0501050271	UNIVERSAL JOINT WITH SLEEVE	01
02	0501050265	UNIVERSAL JOINT	01
03	0501050333	1-40 TERMINAL WITH HITCH	01
04	0502010565	2-40 TERMINAL W/ SH 1.5"/1.5"	01
05	0503012069	ADAPTER FOR BUSHING PROTECT	01
06	0501017429	31" X 1.5" SQUARE SLEEVE	01
07	0503010836	CARDAN CROSSPIECE	01
08	0503011069	0.4" X 2.8" SPRING PIN	01
09	0503010510	0.2" X 2.6" SPRING PIN	01
10	0501050866	UNIVERSAL JOINT WITH SHAFT	01
11	0501050449	UNIVERSAL JOINT	01
12	0501052526	T8-40 TERMINAL WITH SCREW	01
13	0502010566	3-40 TERMINAL WITH SH 1.2"/1.2"	01
14	0503012070	ADAPTER FOR AXLE PROTECTION	01
15	0501017425	1.2" X 31.5" SQUARE SHAFT	01
16	0503010361	SPRING PIN	01
17	0503010756	0.2" X 2.4" SPRING PIN	01
18	0501051696	UNIVERSAL JOINT WITH SLEEVE PROTECTION	01
19	0501051697	UNIVERSAL JOINT WITH AXLE PROTECTION	01
20	0503012071	PROTECTION ASSY	01
21	0503012072	PROTECTION FOR UNIV JOINT AND SLEEV	01
22	0503012073	PLASTIC PROTECTION FOR AXLE JOINT	01
23	0503012023	CHAIN FOR PROTECTION	02
24	0502010563	1-40 STRIATED 1.3/8" TERMINAL	01
25	0521010638	0.5" X 3.3" QUIC HITCH COUPL SHAFT	01
26	0503030518	0.5"X1.0"X 0.1" COMPRESSION SPRING	01
27	0503010838	0.1" X 0.8" SPRING PIN	01
28	0502010876	8-40 STRIATED 1.3/8 TERMINAL	01
29	0501047756	1/2" X 3" SET PARTS	01







**MARCHESAN**

**Technical Publications | Elaboration and Revision**

JOSÉ DOMINGOS GASPARI

[www.marchesan.com.br](http://www.marchesan.com.br)

