

CULTIVATORS

CDR

Code: 0501091247
Series: S-0300
Revision: 00
Date Revision: NOVEMBRO/2016

PARTS CATALOGUE



MARCHESAN



PRODUCTS

Code	Description
0109030018	CDR 6 X 20/22/24 X 4,75 CM S-0300
0109030042	CDR 6 X 20/22/24 X 4,75 DM S-0300
0109030044	CDR 6 X 20/22/24 X 6,0 DM S-0300
0109030046	CDR 6 X 20/22/24 X 6,00 DM C/P S300
0109030040	CDR 6 X 22 X 4,50 DM S-0300
0109030016	CDR 6 X 22/24/26 X 4,75 CM S-0300
0109030043	CDR 6 X 22/24/26 X 4,75 DM S-0300
0109030051	CDR 6 X 22/24/26 X 6,00 DM C/PROT S-0300
0109030041	CDR 6 X 24 X 4,75 DM S-0300
0109030021	CDR 6 X 24 X 6,00 DM S-0300
0109030014	CDR 8 X 20/22/24/26 X 6,00 DM S-300

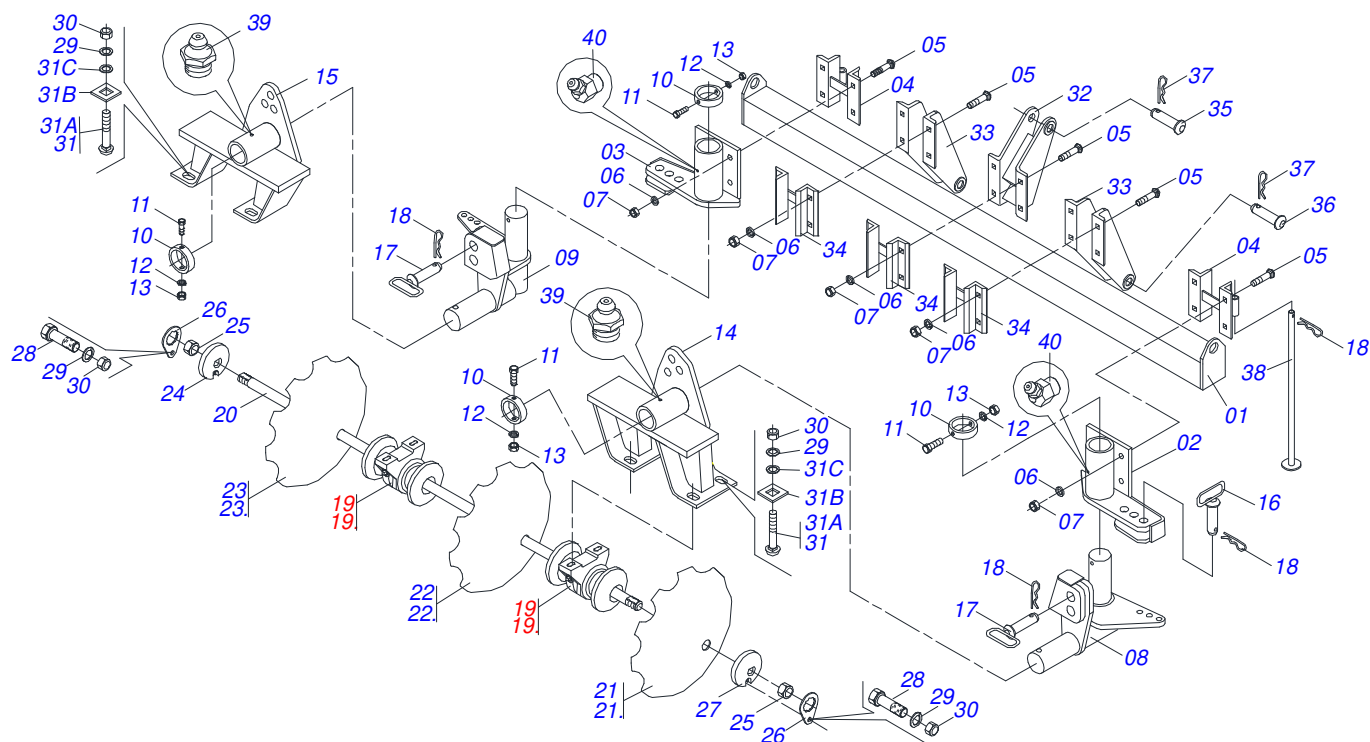
ATTENTION: IMPORTANT

Marchesan S.A. reserves the right to improve and/or modify the technical features of its products, without obligation to do the same with those products already sold and without prior knowledge of the dealer or the customer. The photos are only illustrative.



INDEX

0909091261	REVERSIBLE DISC CULTIVATING	1
0501046311	OIL BATH BEARING	2
0501044317	CM GX 225 1.1/2" PR BEARING ASSY	3



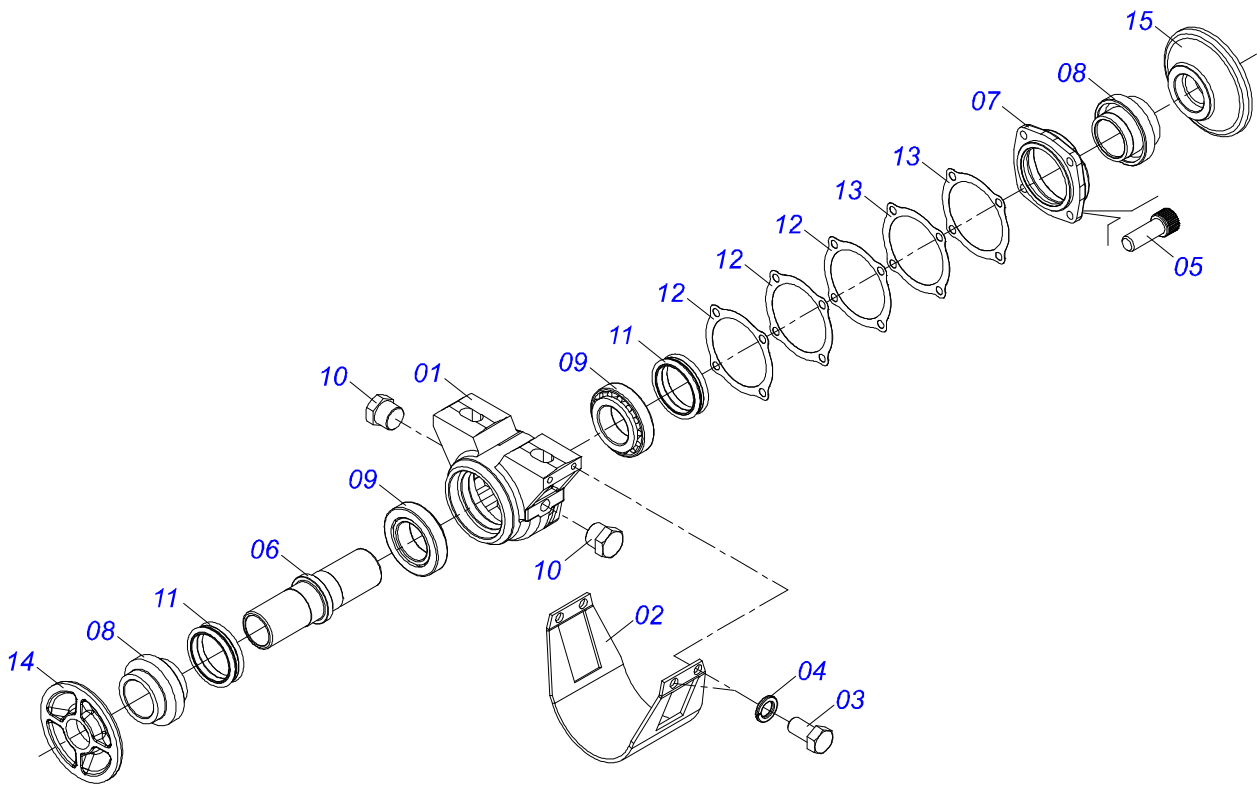
Item	Code	Description	See page	QT
01	0511061691	4.173"X4.173"X3/8"X8.66" FRAME TUBE		01
02	0511061687	RIGHT SUPPORT		01
03	0511061688	LEFT SUPPORT		01
04	0511061749	FIXATION FRAME		02
05	0503012109	3/4" X 6-1/4" BOLT		08
06	0511017305	FLAT WASHER		08
07	0503011255	3/4" LOCK NUT		08
08	0511061689	RH REGULATOR		01
09	0511061690	LH REGULATOR		01
10	0521019001	3.779" X 4.488" X 1.574" SLEEVE		04
11	0503010384	1/2" X 5" BOLT		04
12	0503010019	1/2" SPRING WASHER		04
13	0503010060	1/2 UNC G.5 ZN HEX NUT		04
14	0511061685	RIGHT FRAME		01
15	0511061686	LEFT FRAME		01
16	0511061692	COUPLING SHAFT WITH PULL		02
17	0511063518	1.25" X 3.74" COUPLING SHAFT		02
18	0503030012	HITCH PIN CLIP		06
19	0501044315	9" X 1-1/2" OIL BATH BEARING		04
19.	0501044317	CM GX 225 1.1/2" PR BEARING ASSY	3	04
20	0521017670	1-1/2" X 22" AXLE		01
21	0602029003	22" X 4,5 NOTCHED DISC BLADE		02
21.	0602029186	22" X 0.236" NOTCHED DISC BLADE		01
22	0602030335	NOTCHED DISC BLADE		02
22.	0602030331	24" X 0.236" NOTCHED DISC BLADE		02
23	0602030282	NOTCHED DISC BLADE		02
23.	0602033252	26" X 6 NOTCHED DISC BLADE		02
24	0502010872	1-1/2" INNER AXLE WASHER		02
25	0501010110	1.1/2" NUT		04
26	0501018592	1.5/8" NUT LOCK		02
27	0502010871	1-1/2" EXTERNAL AXLE WASHER		02



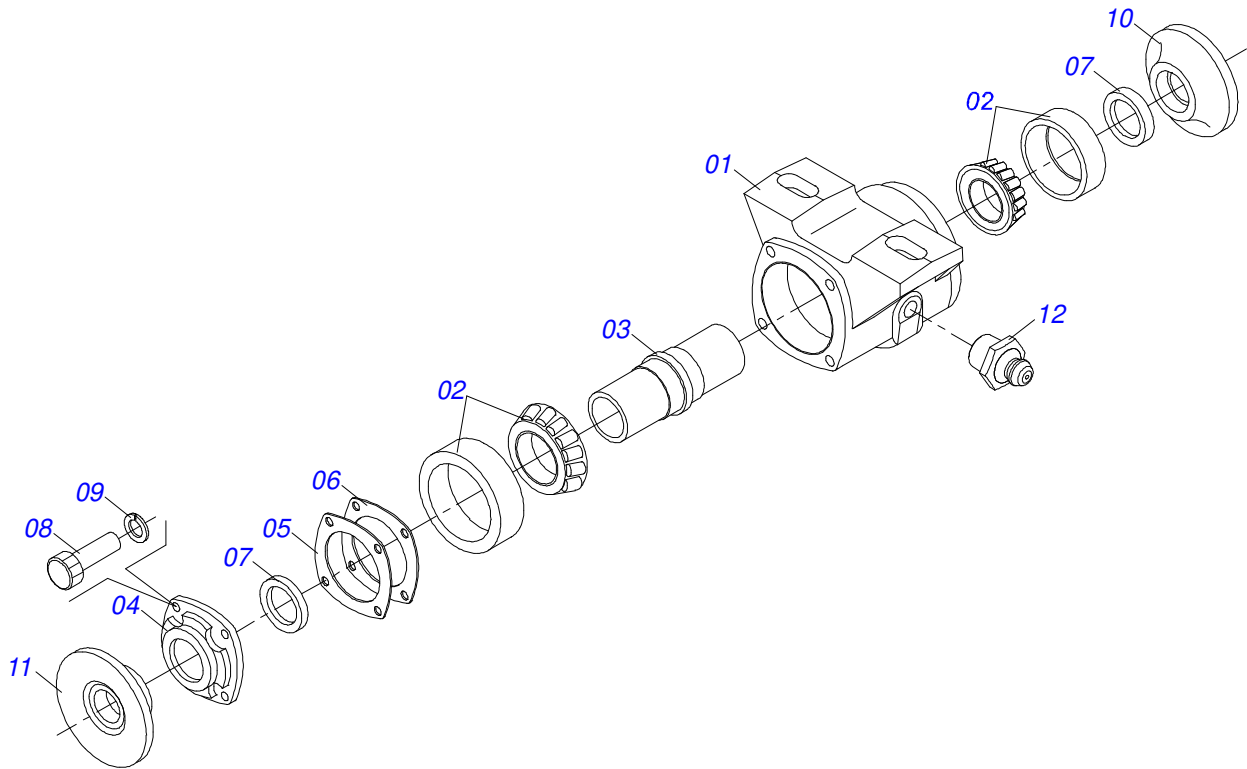
REVERSIBLE DISC CULTIVATING

0909091261

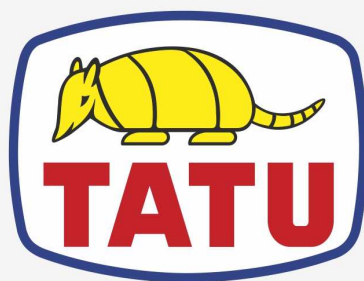
Item	Code	Description	See page	QT
28	0503011267	5/8 UNC X 1.1/2 C S G.5 ZN BOLT		04
29	0503010027	5/8 SPRING WASHER		12
30	0503010013	5/8 NUT		12
31	0501048788	IMPLEMENT PARTS ASSY 5/8 UNC X 2.1/2 CA		04
31A	0501014177	5/8" X 2-1/2" BOLT		04
31B	0501010947	5/8 NUT LOCK		01
31C	0501012140	FLAT WASHER		01
32	0511061682	UPPER HITCH		01
33	0511061683	LOWER HITCH		02
34	0511061748	HITCH SUPPORT		03
35	0521010580	COUPLING SHAFT		02
36	0521010596	COUPLING SHAFT		02
37	0503031035	HITCH PIN CLIP		03
38	0511061718	1300 PLOUGH SUPPORT		02
39	0503010002	1800 GREASE FITTING		02
40	0503010003	1845 GREASE FITTING		02



Item	Code	Description	See page	QT
01	0502011751	OIL HOUSING BEARING		01
02	0511010829	BEARING GUARD		01
03	0503011334	BOLT 3/8 UNC X 3/4 CS G.5 ZN		04
04	0503010025	3/8 SPRING WASHER		04
05	0503010134	3/8" X 1" BOLT		04
06	0502040611	AXLE		01
07	0502020424	HOUSING CAP		01
08	0502010821	SEAL RETAINER		02
09	0503010006	32210 ROLLER BEARING		02
10	0503010856	OIL PLUG		02
11	0503030026	SEAL LP JB-253		02
12	0503030013	4.4" X 3.5" X 0.004" JOINT		03
13	0503030684	4.4" X 3.5" X 0.004" JOINT		02
14	0502010605	INNER FLANGE		01
15	0502010604	OUTER FLANGE		01



Item	Code	Description	See page	QT
01	0502020313	HOUSING CM		01
02	0503010006	32210 ROLLER BEARING		02
03	0502040611	AXLE		03
04	0502020273	HOUSING CAP CM		01
05	0503030684	4.4" X 3.5" X 0.004" JOINT		01
06	0503030013	4.4" X 3.5" X 0.004" JOINT		01
07	0503010468	SEAL 01199-GB		02
08	0503010237	3/8" X 1" BOLT		04
09	0503011443	3/8" SPRING WASHER		04
10	0502010605	INNER FLANGE		01
11	0502010604	OUTER FLANGE		01
12	0503010002	1800 GREASE FITTING		01



MARCHESAN

Technical Publications | Elaboration and Revision

ALESSANDRA PATRICIA KAWAHARA CARRILI

www.marchesan.com.br

