

CULTIVATORS

ECH

Code: 0501091246
Series: S-0692
Revision: 00
Date Revision: OUTUBRO/2003

PARTS CATALOGUE



MARCHESAN



PRODUCTS

Code	Description	
0101080067	ECH 5 2200	S-0692
0101080068	ECH 7 2200	S-0692
0101080059	ECH 9 3000	S-0692
0101080116	ECH 9 3000P	S-0593
0101080144	ECH 9 2200	S-0692
0101080145	ECH 9 2700	S-0692
0101080142	ECH 11 2200	S-0692
0101080060	ECH 11 3000	S-0692
0101080117	ECH 11 3000P	S-0593
0101080061	ECH 13 3000	S-0692
0101080118	ECH 13 3000P	S-0593
0101080062	ECH 15 4200	S-0692
0101080119	ECH 15 4200P	S-0593
0101080063	ECH 17 4200	S-0692
0101080120	ECH 17 4200P	S-0593
0101080064	ECH 19 4200	S-0692
0101080065	ECH 21 4600	S-0692
0101080001	ECH 21 4600 KE	S-0692
0101080002	ECH 9 4200	S-0692

ATTENTION: IMPORTANT

Marchesan S.A. reserves the right to improve and/or modify the technical features of its products, without obligation to do the same with those products already sold and without prior knowledge of the dealer or the customer. The photos are only illustrative.



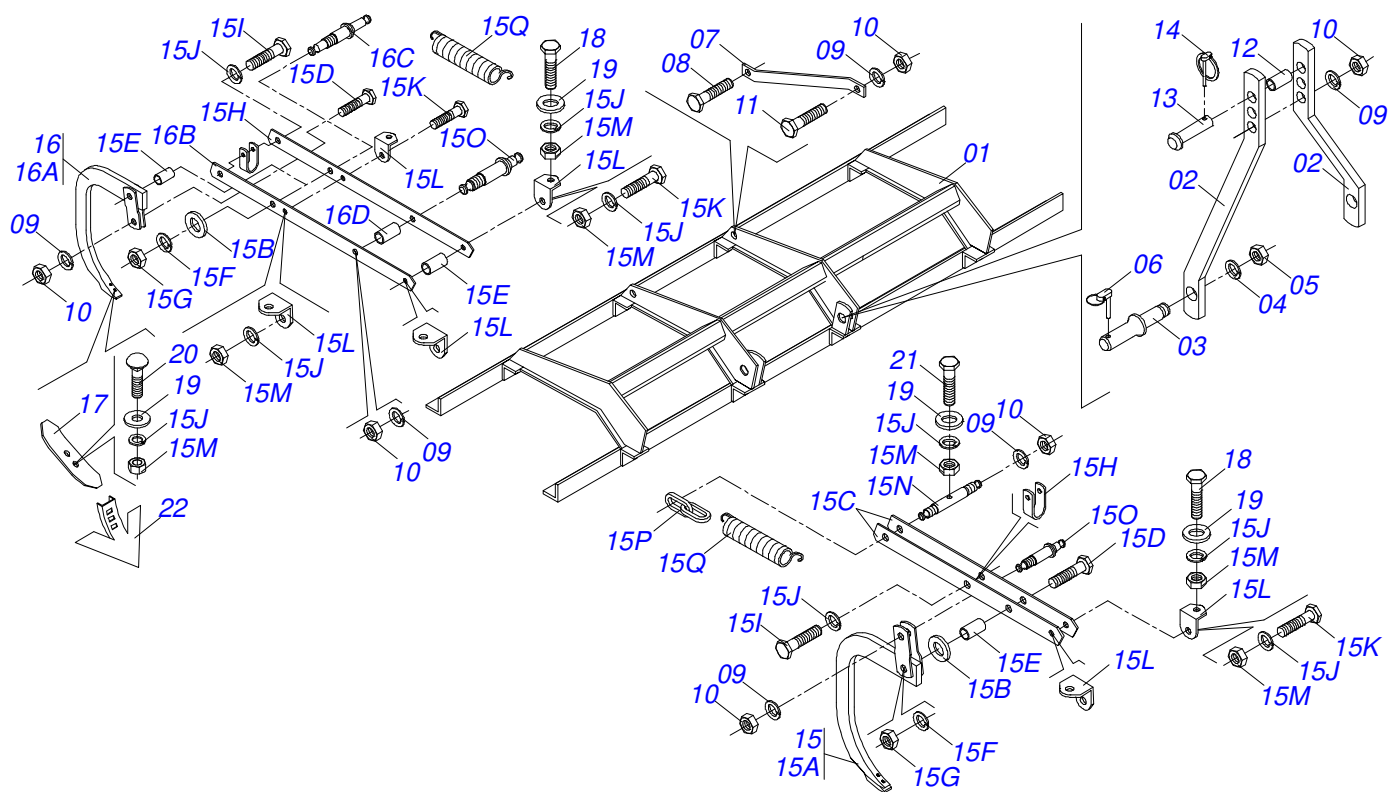
INDEX

0909090440	MOUNTED FIELD CULTIVADOR	1
0909090468	MOUNTED FIELD CULTIVADOR	2



ECH
MOUNTED FIELD CULTIVADOR

Item	Code	Description	See page	05	07	09	11	13
16O	0501016245	SPRING AXLE FRONT FIXER		02	02	02	02	02
16P	0503030353	8,00 CHAIN X 2 LINK		02	02	02	02	02
16Q	0503030354	2" X 13" X 0.4" EXTENSION SPRING		04	04	04	04	04
17	0501047830	REAR ARM ESC ASSY		02	03	04	05	06
17A	0501063357	REAR SCARIFIER SPINDLE		01	01	01	01	01
17B	0501016252	SIDE BAR		02	02	02	02	02
17C	0501016251	SPRING AXLE CENTRAL FIXER		01	01	01	01	01
17D	0501016250	1.1" X 0.9" X 1.6" BUSHING		01	01	01	01	01
18	0624010014	POINT R7" P65G 11"X2"X5/16" POINT		05	07	09	11	13
19	0501011899	7/16" X 1-3/4" BOLT		20	28	36	44	52
20	0501012803	FLAT WASHER		20	28	36	44	52
21	0503011102	BOLT 7/16 UNC X 1.1/4 C S G.5 ZN		14	20	26	32	38
22	0503011103	7/16" X 2-1/2" BOLT		03	04	05	06	07
23	0621011001	6" X 0.2" CULTIVATOR HOES		05	07	09	11	13

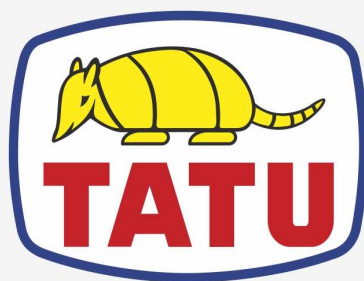


Item	Code	Description	See page	15	17	19	21
01	0501065588	165" FRAME ECH		01	01	01	00
01.	0501065589	4600 ECH 21 FRAME		00	00	00	01
02	0501010410	SEMI CAB		02	02	02	02
03	0501010641	2" X 6.4" DRAWBOLT		02	02	02	02
04	0503010012	1" SPRING WASHER		02	02	02	02
05	0503010340	1" NUT		02	02	02	02
06	0503030430	7/16 X 2" PIN LOCK		02	02	02	02
07	0511011080	ATTACHMENT BAR		02	02	02	02
08	0501010098	3/4" UNC BOLT		02	02	02	02
09	0503010023	3/4" SPRING WASHER		07	07	07	07
10	0503010014	3/4" HEX NUT		07	07	07	07
11	0503011198	C3/4" X 6" SCREW		01	01	01	01
12	0501010412	SPACING BUSHING		01	01	01	01
13	0521010579	COUPLING SHAFT		01	01	01	01
14	0503030085	LOCK PIN		01	01	01	01
15	0501047829	FRONT ARM ESC ASSY		08	09	10	11
15A	0501063356	FRONT SCARIFIER SPINDLE		01	01	01	01
15B	0501016249	FLAT WASHER		04	04	04	04
15C	0501016241	SIDE BAR		02	02	02	02
15D	0501013233	5/8" X 2-3/4" BOLT		02	02	02	02
15E	0501016248	0.8" X 0.6" X 1.6" BUSHING		05	05	05	05
15F	0503010027	5/8 SPRING WASHER		02	02	02	02
15G	0503010013	5/8 NUT		02	02	02	02
15H	0501016243	SPINDLE LIMITER		02	02	02	02
15I	0503010813	7/16" X 3/4" BOLT		04	04	04	04
15J	0503010180	7/16" SPRING WASHER		82	93	110	115
15K	0503010850	BOLT 7/16 UNC X 3 CS G.5 ZN		03	03	03	03
15L	0501016246	SPINDLE FIXER		06	06	06	06
15M	0503010244	7/16" NUT		82	93	110	115
15N	0501016247	SPRING REAR FIXER		01	01	01	01
15O	0501016245	SPRING AXLE FRONT FIXER		02	02	02	02



ECH
MOUNTED FIELD CULTIVADOR

Item	Code	Description	See page	15	17	19	21
15P	0503030353	8,00 CHAIN X 2 LINK		02	02	02	02
15Q	0503030354	2" X 13" X 0.4" EXTENSION SPRING		04	04	04	04
16	0501047830	REAR ARM ESC ASSY		07	08	09	10
16A	0501063357	REAR SCARIFIER SPINDLE		01	01	01	01
16B	0501016252	SIDE BAR		02	02	02	02
16C	0501016251	SPRING AXLE CENTRAL FIXER		01	01	01	01
16D	0501016250	1.1" X 0.9" X 1.6" BUSHING		01	01	01	01
17	0621010014	4" X 0.2" CULTIVATOR HOES		15	17	19	21
18	0501011899	7/16" X 1-3/4" BOLT		33	34	38	42
19	0501012803	FLAT WASHER		33	34	38	42
20	0503011102	BOLT 7/16 UNC X 1.1/4 C S G.5 ZN		44	50	56	62
21	0503011103	7/16" X 2-1/2" BOLT		08	09	10	11
22	0621011001	6" X 0.2" CULTIVATOR HOES		15	17	19	21



MARCHESAN

Technical Publications | Elaboration and Revision

ALESSANDRA PATRICIA KAWAHARA CARRILI

www.marchesan.com.br

