

# **PARTS CATALOG**

## **CULTIVATORS**

### **CAHF2**

**Code: 0501091245**



**Series: S-1298**

**Review: OUTUBRO/2003**

**ORIGINAL PARTS  
TATU**



# PRODUCTS

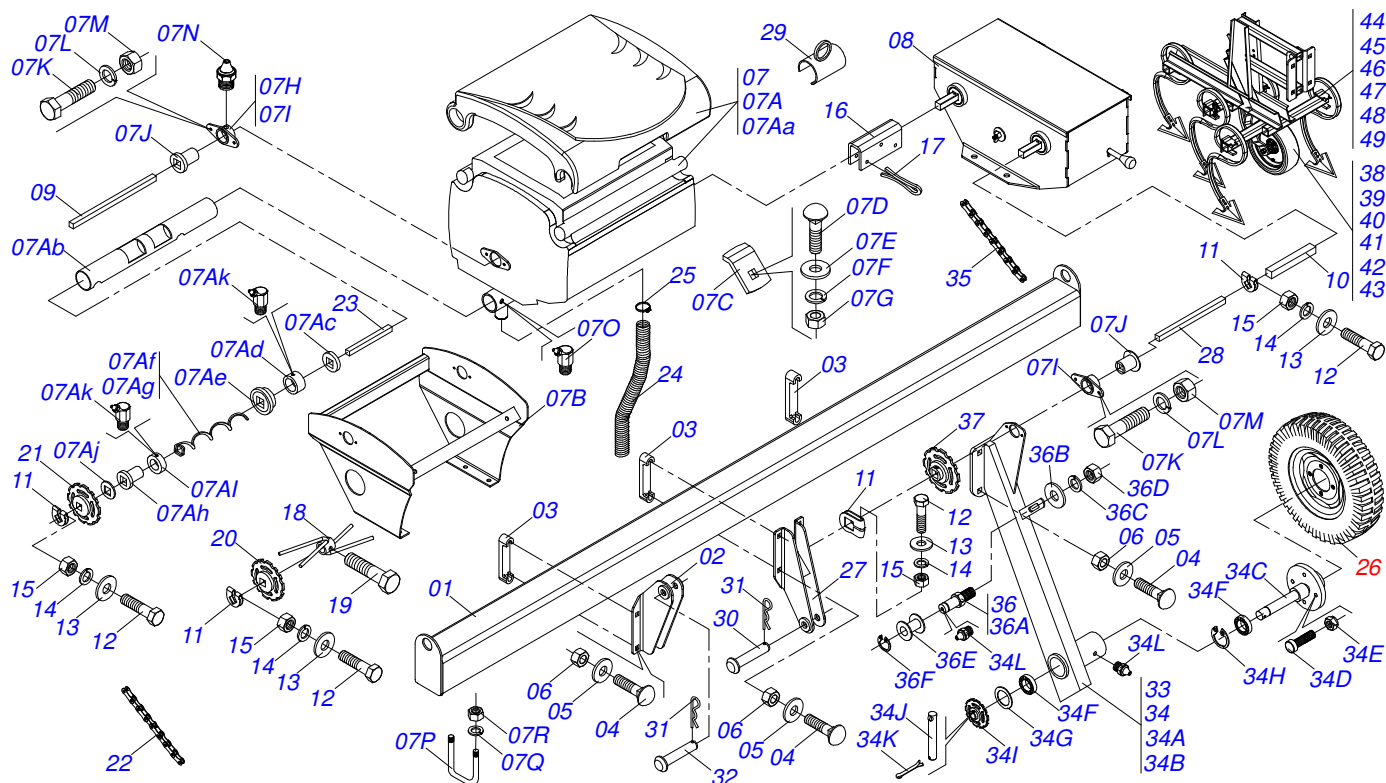
| Code       | Description                         |
|------------|-------------------------------------|
| 0109020543 | CAHF2/S 26 X 6 5500 5CX RB RT S1298 |
| 0109020554 | CAHF2/S 26 X 6 5500 5CX RF RT S1298 |
| 0109020555 | CAHF2/S 31 X 7 6400 6CX RF RT S1298 |
| 0109020556 | CAHF2/S 31 X 7 6400 6CX RB RT S1298 |
| 0109020562 | CAHF2/S 13 X 5 4400 2CX RF RT S1298 |
| 0109020563 | CAHF2/S 13 X 5 4400 2CX RB RT S1298 |
| 0109020564 | CAHF2/S 13 X 5 4400 4CX RF RT S1298 |
| 0109020565 | CAHF2/S 13 X 5 4400 4CX RB RT S1298 |
| 0109020566 | CAHF2/S 16 X 6 5500 5CX RF RT S1298 |
| 0109020567 | CAHF2/S 16 X 6 5500 5CX RB RT S1298 |
| 0109020568 | CAHF2/S 19 X 7 6400 3CX RF RT S1298 |
| 0109020569 | CAHF2/S 19 X 7 6400 3CX RB RT S1298 |
| 0109020570 | CAHF2/S 19 X 7 6400 6CX RF RT S1298 |
| 0109020571 | CAHF2/S 19 X 7 6400 6CX RB RT S1298 |
| 0109020572 | CAHF2/S 21 X 5 4400 2CX RF RT S1298 |
| 0109020573 | CAHF2/S 21 X 5 4400 2CX RB RT S1298 |
| 0109020574 | CAHF2/S 31 X 7 6400 3CX RF RT S1298 |
| 0109020575 | CAHF2/S 31 X 7 6400 3CX RB RT S1298 |
| 0109020676 | CAHF2/C 26 X 6 5500 5CX RB RT S1298 |
| 0109021036 | CAHF2/S 26 X 6 6CX RF RT S/CHASSI   |

## ATTENTION: **IMPORTANT**

MARCHESAN S/A RESERVES THE RIGHT AT ANY TIME TO MAKE IMPROVEMENTS IN THE DESIGN, MATERIAL OR SPECIFICATIONS OF MACHINERY, EQUIPMENT OR PARTS WITHOUT THEREBY BECOMING LIABLE TO MAKE SIMILAR CHANGES IN MACHINERY, EQUIPMENT OR PARTS PREVIOUSLY SOLD.

# INDEX

|            |                                       |       |   |
|------------|---------------------------------------|-------|---|
| 0909090435 | FLOAT TINE ROW CR CULT AND FERTIL BOX | ..... | 1 |
| 0909090436 | FLOAT TINE ROW CR CULT AND FERTIL BOX | ..... | 2 |
| 0909090437 | FLOAT TINE ROW CR CULT AND FERTIL BOX | ..... | 3 |
| 0503060105 | WELL AND TIRE ASSY                    | ..... | 4 |
| 0909090472 | MODULES (RUBBER WHEEL)                | ..... | 5 |
| 0909090473 | MODULES (IRON WHEEL)                  | ..... | 6 |
| 0501048458 | GEAR BOX                              | ..... | 7 |



| Item | Code       | Description                         | 13/5 | 21/5 |
|------|------------|-------------------------------------|------|------|
| 01   | 0511060045 | 173" FRAME TUBE                     | 01   | 01   |
| 02   | 0501069941 | UPPER HITCH                         | 01   | 01   |
| 03   | 0502011558 | FASTENER                            | 02   | 02   |
| 04   | 0503012109 | 3/4" X 6-1/4" BOLT                  | 04   | 04   |
| 05   | 0511017305 | FLAT WASHER                         | 04   | 04   |
| 06   | 0503011255 | 3/4" LOCK NUT                       | 04   | 04   |
| 07   | 0501048460 | SUPPORT BEAN FERTILIZER             | 02   | 04   |
| 07A  | 0501052378 | BEAN FERTILIZER ASSY                | 01   | 01   |
| 07Aa | 0503031530 | COVER GREEN BEAM FERTILIZER YELLOW  | 01   | 01   |
| 07Ab | 0521015427 | Ø 60 X Ø 53 X 645 PVC TUBE          | 01   | 01   |
| 07Ac | 0501013774 | GREASE SEAL                         | 01   | 01   |
| 07Ad | 0502011681 | GUIDES AXLE FERTILIZER SLEEVE CENTE | 01   | 01   |
| 07Ae | 0503031527 | AGRICULTURAL BEARING                | 02   | 02   |
| 07Af | 0503031469 | RIGHT HELICAL SPRING                | 01   | 01   |
| 07Ag | 0503031471 | LEFT HELICAL SPRING                 | 01   | 01   |
| 07Ah | 0503030275 | AGRICULTURAL BEARING                | 02   | 02   |
| 07Ai | 0502020646 | FERTILIZER AXLE SLEVE GUIDES        | 02   | 02   |
| 07Aj | 0501010637 | FLAT WASHER                         | 02   | 02   |
| 07Ak | 0503012102 | CREASE FITTING                      | 03   | 03   |
| 07B  | 0511060692 | FERTILIZER BEAM SUPPORT             | 01   | 01   |
| 07C  | 0521014575 | FERTILIZER PLATE LOCK BEAM          | 04   | 04   |
| 07D  | 0501011600 | 1/2" X 1-1/4" BOLT                  | 04   | 04   |
| 07E  | 0511017302 | FLAT WASHER                         | 04   | 04   |
| 07F  | 0503010019 | 1/2" SPRING WASHER                  | 04   | 04   |
| 07G  | 0503010020 | 1/2"NUT                             | 04   | 04   |
| 07H  | 0511019411 | RH BEARING                          | 01   | 01   |
| 07I  | 0521010715 | LEFT BEARING                        | 01   | 01   |
| 07J  | 0502010671 | CENTRAL BEARING                     | 02   | 02   |
| 07K  | 0503010371 | 5/16" X 1" BOLT                     | 04   | 04   |
| 07L  | 0503010179 | SPRING WASHER                       | 04   | 04   |
| 07M  | 0503010337 | 5/16" NUT                           | 04   | 04   |
| 07N  | 0503010691 | 1/4" GREASE FITTING                 | 02   | 02   |
| 07O  | 0503010003 | 1845 GREASE FITTING                 | 03   | 03   |



## FLOAT TINE ROW CR CULT AND FERTIL BOX

0909090435

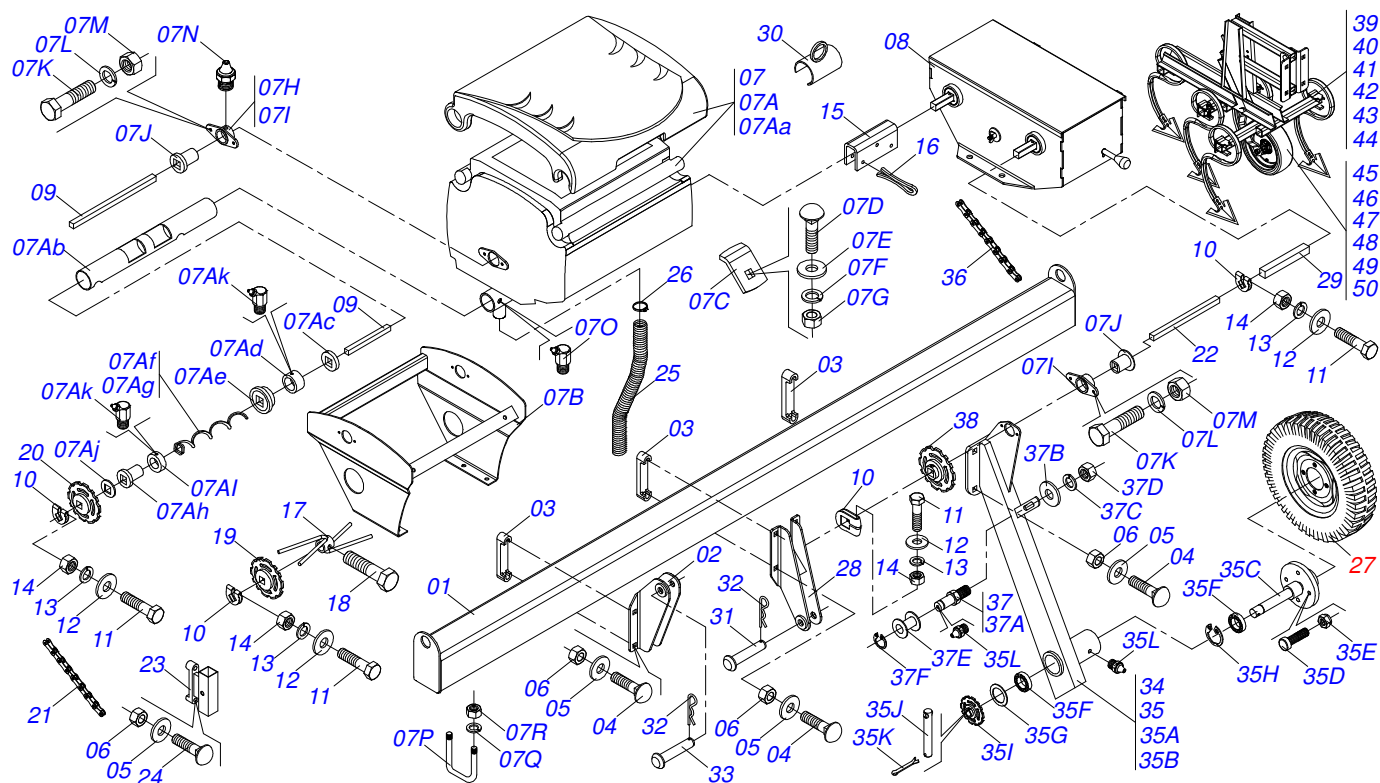
| Item | Code       | Description                       | 13/5 | 21/5 |
|------|------------|-----------------------------------|------|------|
| 07P  | 0521013406 | 9/16"UNC X 7.6" X 4.5" FASTENER   | 02   | 02   |
| 07Q  | 0503010749 | 9/16" SPRING WASHER               | 04   | 04   |
| 07R  | 0503010132 | 9/16" NUT                         | 04   | 04   |
| 08   | 0501048458 | GEAR BOX                          | 01   | 01   |
| 09   | 0511014237 | 3/4" X 110 SQUARE SHAFT           | 01   | 01   |
| 10   | 0511014234 | 3/4" X 35" SQUARE SHAFT           | 01   | 01   |
| 11   | 0521010691 | AXLE FASTENER                     | 10   | 10   |
| 12   | 0503010373 | 1/4" X 2" BOLT                    | 10   | 10   |
| 13   | 0501010694 | FLAT WASHER                       | 10   | 10   |
| 14   | 0503010143 | SPRING WASHER                     | 10   | 10   |
| 15   | 0503010144 | 1/4" NUT                          | 10   | 10   |
| 16   | 0521013291 | TRANSPORT LOCK AXLE               | 02   | 02   |
| 17   | 0503010038 | 3/16 X 2 COTTERPIN                | 06   | 06   |
| 18   | 0501068529 | MEXEDOR BODY                      | 02   | 04   |
| 19   | 0503010237 | 3/8" X 1" BOLT                    | 02   | 04   |
| 20   | 0502010146 | 8Z GEAR                           | 01   | 01   |
| 21   | 0502010149 | 18Z GEAR                          | 01   | 01   |
| 22   | 0503011263 | 2050 CHAIN X 22 LINK + REDUCTION  | 01   | 01   |
| 23   | 0501018702 | 3/4" X 82" SQUARE SHAFT           | 02   | 02   |
| 24   | 0501018703 | 2" X 39" HOSE ASSY                | 04   | 08   |
| 25   | 0503010246 | CLAMP                             | 04   | 08   |
| 26   | 0503060105 | WELL AND TIRE ASSY                | 02   | 02   |
| 27   | 0501069940 | LOWER HITCH                       | 02   | 02   |
| 28   | 0511014233 | 3/4" X 40 SQUARE SHAFT            | 01   | 01   |
| 29   | 0501069793 | 100 GUTTER                        | 02   | 04   |
| 30   | 0521010596 | COUPLING SHAFT                    | 02   | 02   |
| 31   | 0503031035 | HAIR PIN                          | 03   | 03   |
| 32   | 0521010579 | COUPLING SHAFT                    | 01   | 01   |
| 33   | 0501052110 | RIGHT STUB SHAFT & HUB ASSY       | 01   | 01   |
| 34   | 0501052111 | LEFT STUB SHAFT & HUB ASSY        | 01   | 01   |
| 34A  | 0501069945 | RIGHT CARRYING-WHEELS SUPPORT     | 01   | 01   |
| 34B  | 0511060023 | LEFT CARRYING-WHEELS SUPPORT      | 01   | 01   |
| 34C  | 0501069944 | FALNGE AXLE CARRYING-WHEELS       | 02   | 02   |
| 34D  | 0501010127 | 9/16" X 1-7/8" LUG BOLT           | 08   | 08   |
| 34E  | 0503010035 | 9/16" CONIC NUT                   | 08   | 08   |
| 34F  | 0503010816 | 6207 RS ROLLER BEARING            | 04   | 04   |
| 34G  | 0521013442 | FLAT WASHER                       | 04   | 04   |
| 34H  | 0503010845 | 501035 CLAMPING RING (FOR AXLE)   | 02   | 02   |
| 34I  | 0502011334 | 14Z P 1.2" RH 1.4" GEAR           | 02   | 02   |
| 34J  | 0521010530 | COUPLING SHAFT                    | 02   | 02   |
| 34K  | 0503010140 | 1/8" X 3/4" COTTERPIN             | 02   | 02   |
| 34L  | 0503010002 | 1800 GREASE FITTING               | 04   | 04   |
| 35   | 0503010875 | 2050 CHAIN X 63 LINK + MENDING    | 02   | 02   |
| 36   | 0501045114 | CHAIN TENSIONER                   | 02   | 02   |
| 36A  | 0511010919 | CHAIN TIGHTENER AXLE              | 02   | 02   |
| 36B  | 0501010984 | FLAT WASHER                       | 02   | 02   |
| 36C  | 0503010025 | 3/8 SPRING WASHER                 | 02   | 02   |
| 36D  | 0503010026 | 3/8" NUT                          | 02   | 02   |
| 36E  | 0503030402 | PULLEY                            | 02   | 02   |
| 36F  | 0503010302 | 501019 SEAL RING                  | 02   | 02   |
| 37   | 0502011337 | 14Z P 1.2" SH 3/4" GEAR           | 02   | 02   |
| 38   | 0501052474 | MODULES CENTER WITH 3 HOES ASSSY  | 03   | 00   |
| 39   | 0501052657 | MODULES SIDE RH WITH 3 HOES ASSSY | 00   | 01   |
| 40   | 0501052658 | MODULES SIDE LT WITH 3 HOES ASSSY | 00   | 01   |
| 41   | 0501052669 | MODULES CENTER WITH 5 HOES ASSSY  | 00   | 03   |
| 42   | 0501052666 | MODULES SIDE RH WITH 3 HOES ASSSY | 00   | 01   |
| 43   | 0501052667 | MODULES SIDE LT WITH 3 HOES ASSSY | 00   | 01   |
| 44   | 0501052504 | MODULES SIDE RH WITH 2 HOES ASSSY | 01   | 00   |
| 45   | 0501052505 | MODULES SIDE LT WITH 2 HOES ASSSY | 01   | 00   |
| 46   | 0501052668 | MODULES CENTER WITH 3 HOES ASSSY  | 03   | 00   |
| 47   | 0501052664 | MODULES SIDE RH WITH 2 HOES ASSSY | 01   | 00   |
| 48   | 0501052665 | MODULES SIDE LT WITH 2 HOES ASSSY | 01   | 00   |



FLOAT TINE ROW CR CULT AND FERTIL BOX

0909090435

| Item | Code       | Description                      | 13/5 | 21/5 |
|------|------------|----------------------------------|------|------|
| 49   | 0501052475 | MODULES CENTER WITH 5 HOES ASSSY | 00   | 03   |



| Item | Code       | Description                         | 16/6 | 26/6 |
|------|------------|-------------------------------------|------|------|
| 01   | 0511060022 | 216" FRAME TUBE                     | 01   | 01   |
| 02   | 0501069941 | UPPER HITCH                         | 01   | 01   |
| 03   | 0502011558 | FASTENER                            | 02   | 02   |
| 04   | 0503012109 | 3/4" X 6-1/4" BOLT                  | 04   | 04   |
| 05   | 0511017305 | FLAT WASHER                         | 04   | 04   |
| 06   | 0503011255 | 3/4" LOCK NUT                       | 04   | 04   |
| 07   | 0501048460 | SUPPORT BEAN FERTILIZER             | 05   | 05   |
| 07A  | 0501052378 | BEAN FERTILIZER ASSY                | 01   | 01   |
| 07Aa | 0503031530 | COVER GREEN BEAM FERTILIZER YELLOW  | 01   | 01   |
| 07Ab | 0521015427 | Ø 60 X Ø 53 X 645 PVC TUBE          | 01   | 01   |
| 07Ac | 0501013774 | GREASE SEAL                         | 01   | 01   |
| 07Ad | 0502011681 | GUIDES AXLE FERTILIZER SLEEVE CENTE | 01   | 01   |
| 07Ae | 0503031527 | AGRICULTURAL BEARING                | 02   | 02   |
| 07Af | 0503031469 | RIGHT HELICAL SPRING                | 01   | 01   |
| 07Ag | 0503031471 | LEFT HELICAL SPRING                 | 01   | 01   |
| 07Ah | 0503030275 | AGRICULTURAL BEARING                | 02   | 02   |
| 07Ai | 0502020646 | FERTILIZER AXLE SLEVE GUIDES        | 02   | 02   |
| 07Aj | 0501010637 | FLAT WASHER                         | 02   | 02   |
| 07Ak | 0503012102 | CREASE FITTING                      | 03   | 03   |
| 07B  | 0511060692 | FERTILIZER BEAM SUPPORT             | 01   | 01   |
| 07C  | 0521014575 | FERTILIZER PLATE LOCK BEAM          | 04   | 04   |
| 07D  | 0501011600 | 1/2" X 1-1/4" BOLT                  | 04   | 04   |
| 07E  | 0511017302 | FLAT WASHER                         | 04   | 04   |
| 07F  | 0503010019 | 1/2" SPRING WASHER                  | 04   | 04   |
| 07G  | 0503010020 | 1/2"NUT                             | 04   | 04   |
| 07H  | 0511019411 | RH BEARING                          | 01   | 01   |
| 07I  | 0521010715 | LEFT BEARING                        | 01   | 01   |
| 07J  | 0502010671 | CENTRAL BEARING                     | 02   | 02   |
| 07K  | 0503010371 | 5/16" X 1" BOLT                     | 04   | 04   |
| 07L  | 0503010179 | SPRING WASHER                       | 04   | 04   |
| 07M  | 0503010337 | 5/16" NUT                           | 04   | 04   |
| 07N  | 0503010691 | 1/4" GREASE FITTING                 | 02   | 02   |
| 07O  | 0503010003 | 1845 GREASE FITTING                 | 03   | 03   |



FLOAT TINE ROW CR CULT AND FERTIL BOX

0909090436

| Item | Code       | Description                         | 16/6 | 26/6 |
|------|------------|-------------------------------------|------|------|
| 07P  | 0521013406 | 9/16"UNC X 7.6" X 4.5" FASTENER     | 02   | 02   |
| 07Q  | 0503010749 | 9/16" SPRING WASHER                 | 04   | 04   |
| 07R  | 0503010132 | 9/16" NUT                           | 04   | 04   |
| 08   | 0501048458 | GEAR BOX                            | 01   | 01   |
| 09   | 0501018701 | 3/4" X 78"SQUARE SHAFT              | 02   | 02   |
| 10   | 0521010691 | AXLE FASTENER                       | 10   | 10   |
| 11   | 0503010373 | 1/4" X 2" BOLT                      | 10   | 10   |
| 12   | 0501010694 | FLAT WASHER                         | 10   | 10   |
| 13   | 0503010143 | SPRING WASHER                       | 10   | 10   |
| 14   | 0503010144 | 1/4" NUT                            | 10   | 10   |
| 15   | 0521013291 | TRANSPORT LOCK AXLE                 | 03   | 03   |
| 16   | 0503010038 | 3/16 X 2 COTTERPIN                  | 09   | 09   |
| 17   | 0501068529 | MEXEDOR BODY                        | 05   | 05   |
| 18   | 0503010237 | 3/8" X 1" BOLT                      | 05   | 05   |
| 19   | 0502010146 | 8Z GEAR                             | 02   | 02   |
| 20   | 0502010149 | 18Z GEAR                            | 02   | 02   |
| 21   | 0503011263 | 2050 CHAIN X 22 LINK + REDUCTION    | 02   | 02   |
| 22   | 0511014436 | 3/4" X 124" SQUARE SHAFT            | 02   | 02   |
| 23   | 0501069950 | PLOUGH SUPPORT                      | 02   | 02   |
| 24   | 0501011545 | 3/4" X 6-1/2" BOLT                  | 04   | 04   |
| 25   | 0501018703 | 2" X 39" HOSE ASSY                  | 10   | 10   |
| 26   | 0503010246 | CLAMP                               | 10   | 10   |
| 27   | 0503060105 | WELL AND TIRE ASSY                  | 02   | 02   |
| 27A  | 0503011010 | CANVAS TIRE                         | 01   | 01   |
| 27B  | 0503010791 | AR F 15 INNER TIRE                  | 01   | 01   |
| 27C  | 0503010789 | 0.2"J X 15H2" X0.2"F X0.6"X6" WHEEL | 01   | 01   |
| 28   | 0501069940 | LOWER HITCH                         | 02   | 02   |
| 29   | 0511014233 | 3/4" X 40 SQUARE SHAFT              | 01   | 01   |
| 30   | 0501069793 | 100 GUTTER                          | 05   | 05   |
| 31   | 0521010596 | COUPLING SHAFT                      | 02   | 02   |
| 32   | 0503031035 | HAIR PIN                            | 03   | 03   |
| 33   | 0521010579 | COUPLING SHAFT                      | 01   | 01   |
| 34   | 0501052110 | RIGHT STUB SHAFT & HUB ASSY         | 01   | 01   |
| 35   | 0501052111 | LEFT STUB SHAFT & HUB ASSY          | 01   | 01   |
| 35A  | 0501069945 | RIGHT CARRYING-WHEELS SUPPORT       | 01   | 01   |
| 35B  | 0511060023 | LEFT CARRYING-WHEELS SUPPORT        | 01   | 01   |
| 35C  | 0501069944 | FALNGE AXLE CARRYING-WHEELS         | 02   | 02   |
| 35D  | 0501010127 | 9/16" X 1-7/8" LUG BOLT             | 08   | 08   |
| 35E  | 0503010035 | 9/16" CONIC NUT                     | 08   | 08   |
| 35F  | 0503010816 | 6207 RS ROLLER BEARING              | 04   | 04   |
| 35G  | 0521013442 | FLAT WASHER                         | 04   | 04   |
| 35H  | 0503010845 | 501035 CLAMPING RING (FOR AXLE)     | 02   | 02   |
| 35I  | 0502011334 | 14Z P 1.2" RH 1.4" GEAR             | 02   | 02   |
| 35J  | 0521010530 | COUPLING SHAFT                      | 02   | 02   |
| 35K  | 0503010140 | 1/8" X 3/4" COTTERPIN               | 02   | 02   |
| 35L  | 0503010002 | 1800 GREASE FITTING                 | 04   | 04   |
| 36   | 0503010875 | 2050 CHAIN X 63 LINK + MENDING      | 02   | 02   |
| 37   | 0501045114 | CHAIN TENSIONER                     | 02   | 02   |
| 37A  | 0511010919 | CHAIN TIGHTENER AXLE                | 02   | 02   |
| 37B  | 0501010984 | FLAT WASHER                         | 02   | 02   |
| 37C  | 0503010025 | 3/8 SPRING WASHER                   | 02   | 02   |
| 37D  | 0503010026 | 3/8" NUT                            | 02   | 02   |
| 37E  | 0503030402 | PULLEY                              | 02   | 02   |
| 37F  | 0503010302 | 501019 SEAL RING                    | 02   | 02   |
| 38   | 0502011337 | 14Z P 1.2" SH 3/4" GEAR             | 02   | 02   |
| 39   | 0501052474 | MODULES CENTER WITH 3 HOES ASSSY    | 04   | 00   |
| 40   | 0501052504 | MODULES SIDE RH WITH 2 HOES ASSSY   | 01   | 00   |
| 41   | 0501052505 | MODULES SIDE LT WITH 2 HOES ASSSY   | 01   | 00   |
| 42   | 0501052668 | MODULES CENTER WITH 3 HOES ASSSY    | 04   | 00   |
| 43   | 0501052664 | MODULES SIDE RH WITH 2 HOES ASSSY   | 01   | 00   |
| 44   | 0501052665 | MODULES SIDE LT WITH 2 HOES ASSSY   | 01   | 00   |
| 45   | 0501052475 | MODULES CENTER WITH 5 HOES ASSSY    | 00   | 04   |



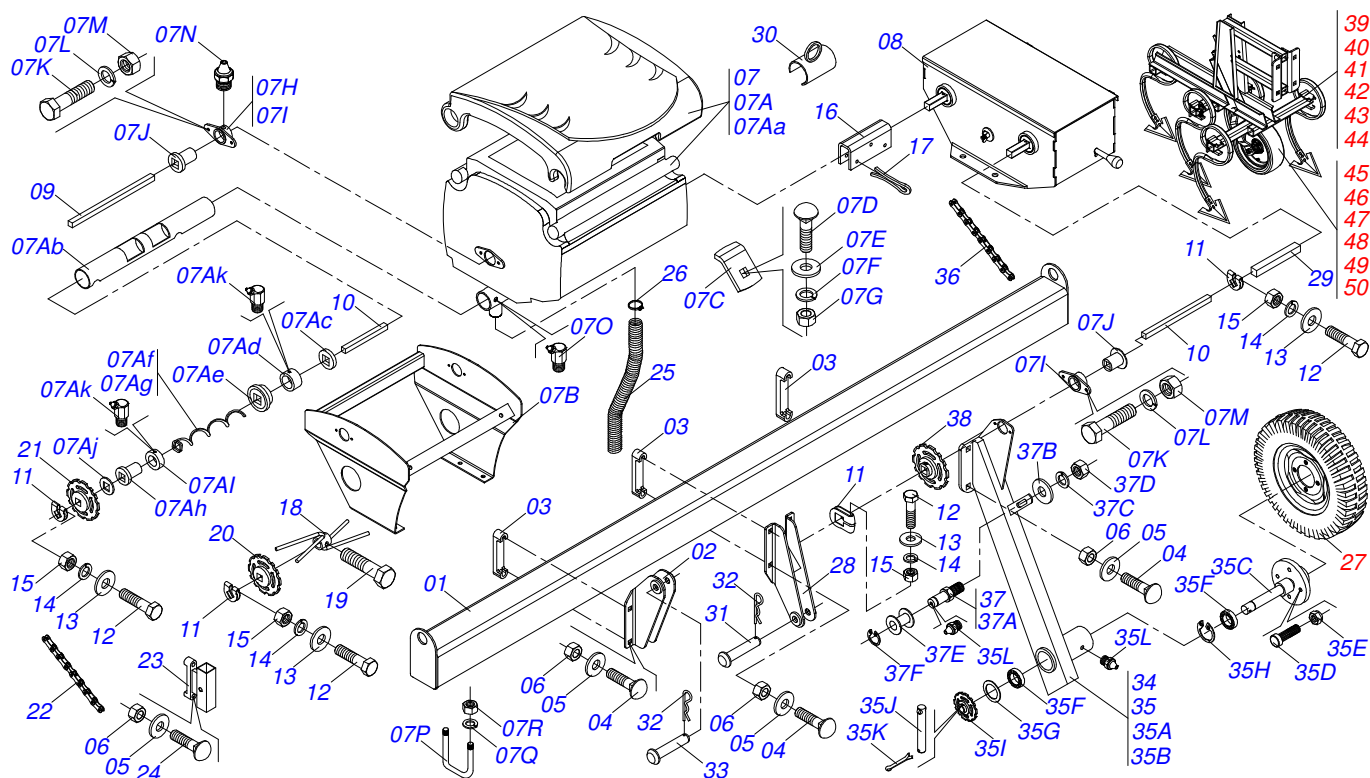


FLOAT TINE ROW CR CULT AND FERTIL BOX

0909090436

| Item | Code       | Description                       | 16/6 | 26/6 |
|------|------------|-----------------------------------|------|------|
| 46   | 0501052657 | MODULES SIDE RH WITH 3 HOES ASSSY | 00   | 01   |
| 47   | 0501052658 | MODULES SIDE LT WITH 3 HOES ASSSY | 00   | 01   |
| 48   | 0501052669 | MODULES CENTER WITH 5 HOES ASSSY  | 00   | 04   |
| 49   | 0501052666 | MODULES SIDE RH WITH 3 HOES ASSSY | 00   | 01   |
| 50   | 0501052667 | MODULES SIDE LT WITH 3 HOES ASSSY | 00   | 01   |

FLOAT TINE ROW CR CULT AND FERTIL BOX



| Item | Code       | Description                         | 19/7 | 31/7 |
|------|------------|-------------------------------------|------|------|
| 01   | 0511060485 | 251" FRAME                          | 01   | 01   |
| 02   | 0501069941 | UPPER HITCH                         | 01   | 01   |
| 03   | 0502011558 | FASTENER                            | 02   | 02   |
| 04   | 0503012109 | 3/4" X 6-1/4" BOLT                  | 04   | 04   |
| 05   | 0511017305 | FLAT WASHER                         | 04   | 04   |
| 06   | 0503011255 | 3/4" LOCK NUT                       | 04   | 04   |
| 07   | 0501048460 | SUPPORT BEAN FERTILIZER             | 03   | 06   |
| 07A  | 0501052378 | BEAN FERTILIZER ASSY                | 01   | 01   |
| 07Aa | 0503031530 | COVER GREEN BEAM FERTILIZER YELLOW  | 01   | 01   |
| 07Ab | 0521015427 | Ø 60 X Ø 53 X 645 PVC TUBE          | 01   | 01   |
| 07Ac | 0501013774 | GREASE SEAL                         | 01   | 01   |
| 07Ad | 0502011681 | GUIDES AXLE FERTILIZER SLEEVE CENTE | 01   | 01   |
| 07Ae | 0503031527 | AGRICULTURAL BEARING                | 02   | 02   |
| 07Af | 0503031469 | RIGHT HELICAL SPRING                | 01   | 01   |
| 07Ag | 0503031471 | LEFT HELICAL SPRING                 | 01   | 01   |
| 07Ah | 0503030275 | AGRICULTURAL BEARING                | 02   | 02   |
| 07Ai | 0502020646 | FERTILIZER AXLE SLEVE GUIDES        | 02   | 02   |
| 07Aj | 0501010637 | FLAT WASHER                         | 02   | 02   |
| 07Ak | 0503012102 | CREASE FITTING                      | 03   | 03   |
| 07B  | 0511060692 | FERTILIZER BEAM SUPPORT             | 01   | 01   |
| 07C  | 0521014575 | FERTILIZER PLATE LOCK BEAM          | 04   | 04   |
| 07D  | 0501011600 | 1/2" X 1-1/4" BOLT                  | 04   | 04   |
| 07E  | 0511017302 | FLAT WASHER                         | 04   | 04   |
| 07F  | 0503010019 | 1/2" SPRING WASHER                  | 04   | 04   |
| 07G  | 0503010020 | 1/2"NUT                             | 04   | 04   |
| 07H  | 0511019411 | RH BEARING                          | 01   | 01   |
| 07I  | 0521010715 | LEFT BEARING                        | 01   | 01   |
| 07J  | 0502010671 | CENTRAL BEARING                     | 02   | 02   |
| 07K  | 0503010371 | 5/16" X 1" BOLT                     | 04   | 04   |
| 07L  | 0503010179 | SPRING WASHER                       | 04   | 04   |
| 07M  | 0503010337 | 5/16" NUT                           | 04   | 04   |
| 07N  | 0503010691 | 1/4" GREASE FITTING                 | 02   | 02   |
| 07O  | 0503010003 | 1845 GREASE FITTING                 | 03   | 03   |



## FLOAT TINE ROW CR CULT AND FERTIL BOX

0909090437

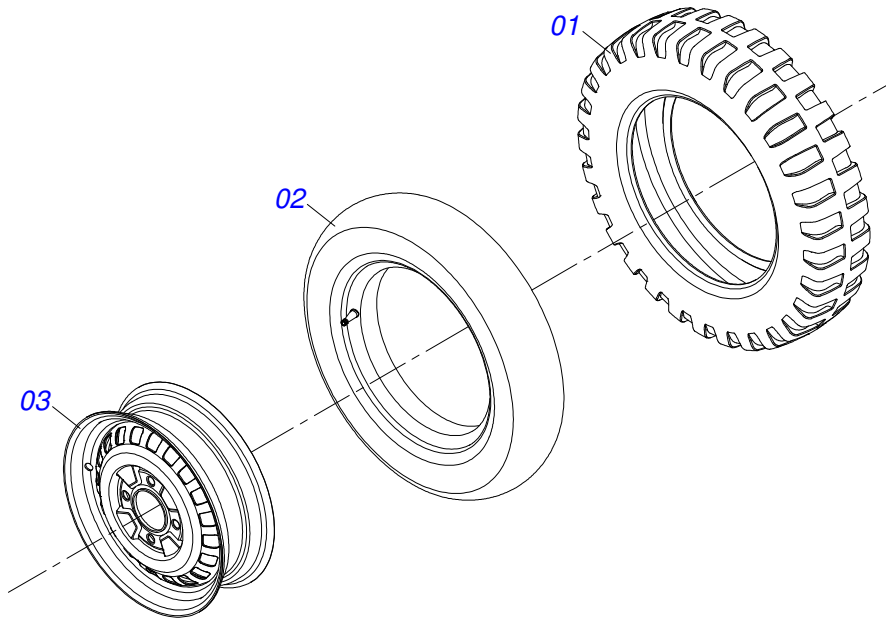
| Item | Code       | Description                         | 19/7 | 31/7 |
|------|------------|-------------------------------------|------|------|
| 07P  | 0521013406 | 9/16"UNC X 7.6" X 4.5" FASTENER     | 02   | 02   |
| 07Q  | 0503010749 | 9/16" SPRING WASHER                 | 04   | 04   |
| 07R  | 0503010132 | 9/16" NUT                           | 04   | 04   |
| 08   | 0501048458 | GEAR BOX                            | 01   | 01   |
| 09   | 0521013277 | 3/4" X 98" SQUARE SHAFT             | 04   | 04   |
| 10   | 0521013278 | 3/4" X 62" SQUARE SHAFT             | 04   | 04   |
| 11   | 0521010691 | AXLE FASTENER                       | 06   | 12   |
| 12   | 0503010373 | 1/4" X 2" BOLT                      | 06   | 12   |
| 13   | 0501010694 | FLAT WASHER                         | 06   | 12   |
| 14   | 0503010143 | SPRING WASHER                       | 06   | 12   |
| 15   | 0503010144 | 1/4" NUT                            | 06   | 12   |
| 16   | 0521013291 | TRANSPORT LOCK AXLE                 | 04   | 04   |
| 17   | 0503010038 | 3/16 X 2 COTTERPIN                  | 12   | 12   |
| 18   | 0501068529 | MEXEDOR BODY                        | 03   | 06   |
| 19   | 0503010237 | 3/8" X 1" BOLT                      | 03   | 06   |
| 20   | 0502010146 | 8Z GEAR                             | 04   | 04   |
| 21   | 0502010149 | 18Z GEAR                            | 04   | 04   |
| 22   | 0503011263 | 2050 CHAIN X 22 LINK + REDUCTION    | 04   | 04   |
| 23   | 0501069950 | PLOUGH SUPPORT                      | 01   | 01   |
| 24   | 0501013475 | 3/4" X 7-1/2" BOLT                  | 02   | 02   |
| 25   | 0501018703 | 2" X 39" HOSE ASSY                  | 06   | 12   |
| 26   | 0503010246 | CLAMP                               | 06   | 12   |
| 27   | 0503060105 | WELL AND TIRE ASSY                  | 02   | 02   |
| 27A  | 0503011010 | CANVAS TIRE                         | 01   | 01   |
| 27B  | 0503010791 | AR F 15 INNER TIRE                  | 01   | 01   |
| 27C  | 0503010789 | 0.2"J X 15H2" X0.2"F X0.6"X6" WHEEL | 01   | 01   |
| 28   | 0501069940 | LOWER HITCH                         | 02   | 02   |
| 29   | 0511014233 | 3/4" X 40 SQUARE SHAFT              | 01   | 01   |
| 30   | 0501069793 | 100 GUTTER                          | 03   | 12   |
| 31   | 0521010596 | COUPLING SHAFT                      | 02   | 02   |
| 32   | 0503031035 | HAIR PIN                            | 03   | 03   |
| 33   | 0521010579 | COUPLING SHAFT                      | 01   | 01   |
| 34   | 0501052110 | RIGHT STUB SHAFT & HUB ASSY         | 01   | 01   |
| 35   | 0501052111 | LEFT STUB SHAFT & HUB ASSY          | 01   | 01   |
| 35A  | 0501069945 | RIGHT CARRYING-WHEELS SUPPORT       | 01   | 01   |
| 35B  | 0511060023 | LEFT CARRYING-WHEELS SUPPORT        | 01   | 01   |
| 35C  | 0501069944 | FALNGE AXLE CARRYING-WHEELS         | 01   | 01   |
| 35D  | 0501010127 | 9/16" X 1-7/8" LUG BOLT             | 08   | 08   |
| 35E  | 0503010035 | 9/16" CONIC NUT                     | 08   | 08   |
| 35F  | 0503010816 | 6207 RS ROLLER BEARING              | 04   | 04   |
| 35G  | 0521013442 | FLAT WASHER                         | 04   | 04   |
| 35H  | 0503010845 | 501035 CLAMPING RING (FOR AXLE)     | 02   | 02   |
| 35I  | 0502011334 | 14Z P 1.2" RH 1.4" GEAR             | 02   | 02   |
| 35J  | 0521010530 | COUPLING SHAFT                      | 02   | 02   |
| 35K  | 0503010140 | 1/8" X 3/4" COTTERPIN               | 02   | 02   |
| 35L  | 0503010002 | 1800 GREASE FITTING                 | 04   | 04   |
| 36   | 0503010875 | 2050 CHAIN X 63 LINK + MENDING      | 02   | 02   |
| 37   | 0501045114 | CHAIN TENSIONER                     | 02   | 02   |
| 37A  | 0511010919 | CHAIN TIGHTENER AXLE                | 02   | 02   |
| 37B  | 0501010984 | FLAT WASHER                         | 02   | 02   |
| 37C  | 0503010025 | 3/8 SPRING WASHER                   | 02   | 02   |
| 37D  | 0503010026 | 3/8" NUT                            | 02   | 02   |
| 37E  | 0503030402 | PULLEY                              | 02   | 02   |
| 37F  | 0503010302 | 501019 SEAL RING                    | 02   | 02   |
| 38   | 0502011337 | 14Z P 1.2" SH 3/4" GEAR             | 02   | 02   |
| 39   | 0501052474 | MODULES CENTER WITH 3 HOES ASSSY    | 05   | 00   |
| 40   | 0501052504 | MODULES SIDE RH WITH 2 HOES ASSSY   | 01   | 00   |
| 41   | 0501052505 | MODULES SIDE LT WITH 2 HOES ASSSY   | 01   | 00   |
| 42   | 0501052668 | MODULES CENTER WITH 3 HOES ASSSY    | 05   | 00   |
| 43   | 0501052664 | MODULES SIDE RH WITH 2 HOES ASSSY   | 01   | 00   |
| 44   | 0501052665 | MODULES SIDE LT WITH 2 HOES ASSSY   | 01   | 00   |
| 45   | 0501052475 | MODULES CENTER WITH 5 HOES ASSSY    | 00   | 05   |



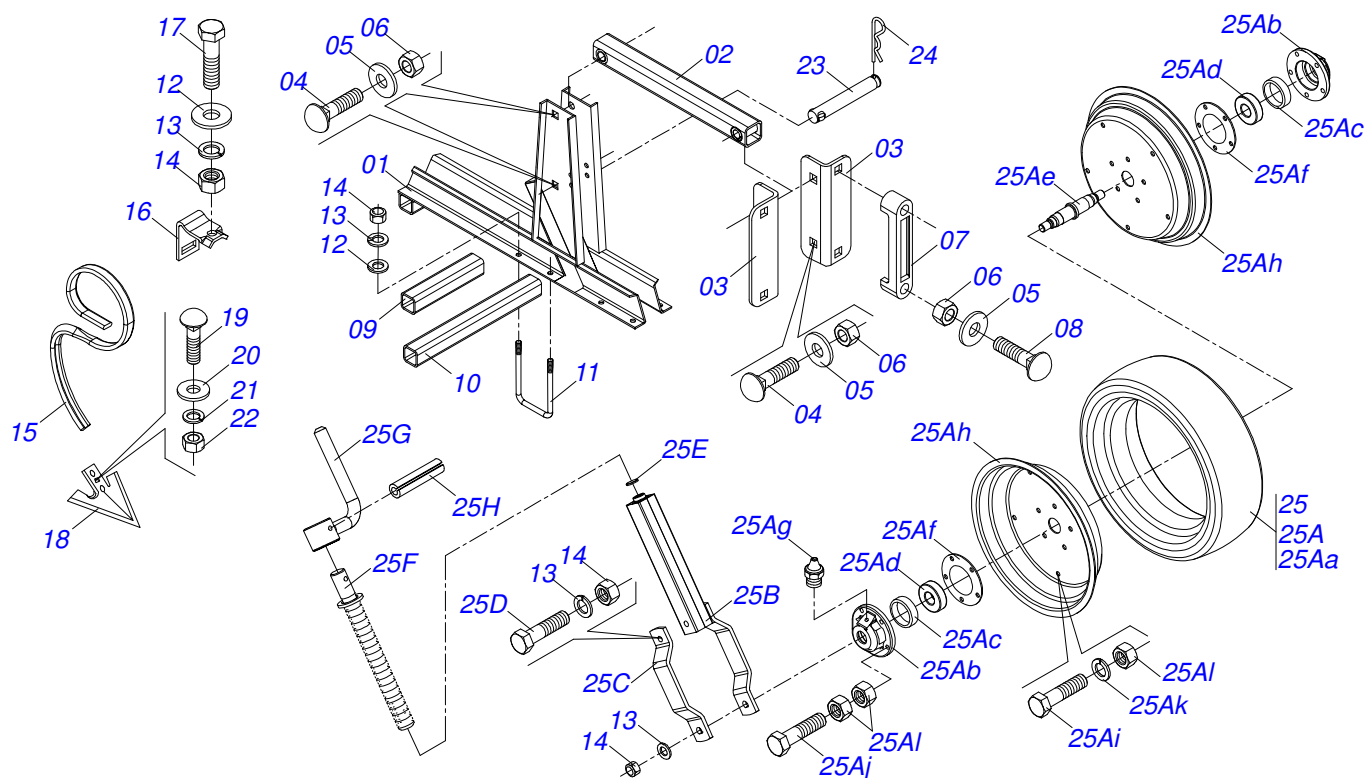
FLOAT TINE ROW CR CULT AND FERTIL BOX

0909090437

| Item | Code       | Description                       | 19/7 | 31/7 |
|------|------------|-----------------------------------|------|------|
| 46   | 0501052657 | MODULES SIDE RH WITH 3 HOES ASSSY | 00   | 01   |
| 47   | 0501052658 | MODULES SIDE LT WITH 3 HOES ASSSY | 00   | 01   |
| 48   | 0501052669 | MODULES CENTER WITH 5 HOES ASSSY  | 00   | 05   |
| 49   | 0501052666 | MODULES SIDE RH WITH 3 HOES ASSSY | 00   | 01   |
| 50   | 0501052667 | MODULES SIDE LT WITH 3 HOES ASSSY | 00   | 01   |



| Item | Code       | Description                         | QT |
|------|------------|-------------------------------------|----|
| 001  | 0503011010 | CANVAS TIRE                         | 01 |
| 002  | 0503010791 | AR F 15 INNER TIRE                  | 01 |
| 003  | 0503010789 | 0.2"J X 15H2" X0.2"F X0.6"X6" WHEEL | 01 |

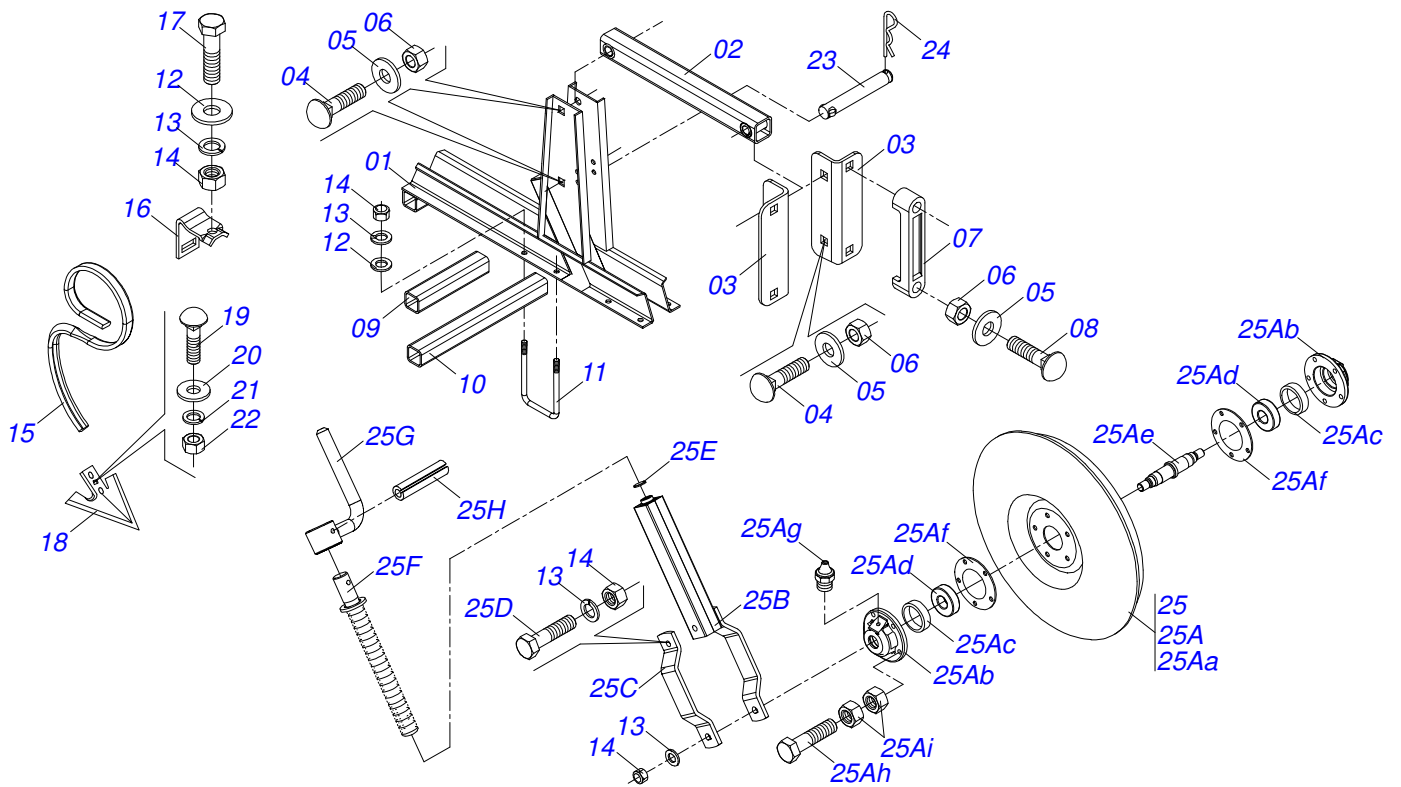


| Item | Code       | Description                       | 2LT | 3LT | 3CT | 5CT |
|------|------------|-----------------------------------|-----|-----|-----|-----|
| 00   | 0501052504 | MODULES SIDE RH WITH 2 HOES ASSSY | 01  | 00  | 00  | 00  |
| 00A  | 0501052505 | MODULES SIDE LT WITH 2 HOES ASSSY | 01  | 00  | 00  | 00  |
| 00B  | 0501052657 | MODULES SIDE RH WITH 3 HOES ASSSY | 00  | 01  | 00  | 00  |
| 00C  | 0501052658 | MODULES SIDE LT WITH 3 HOES ASSSY | 00  | 01  | 00  | 00  |
| 00D  | 0501052474 | MODULES CENTER WITH 3 HOES ASSSY  | 00  | 00  | 01  | 00  |
| 00E  | 0501052475 | MODULES CENTER WITH 5 HOES ASSSY  | 00  | 00  | 00  | 01  |
| 01   | 0511060017 | MODULES                           | 01  | 01  | 01  | 01  |
| 02   | 0501068351 | PARALELOGRAMA TUBE                | 02  | 02  | 02  | 02  |
| 03   | 0521013450 | MODULES FIXER L                   | 02  | 02  | 02  | 02  |
| 04   | 0503012168 | 3/4" X 3-1/2" BOLT                | 04  | 04  | 04  | 04  |
| 05   | 0511017305 | FLAT WASHER                       | 08  | 08  | 08  | 08  |
| 06   | 0503011255 | 3/4" LOCK NUT                     | 08  | 08  | 08  | 08  |
| 07   | 0502011558 | FASTENER                          | 02  | 02  | 02  | 02  |
| 08   | 0503012109 | 3/4" X 6-1/4" BOLT                | 04  | 04  | 04  | 04  |
| 09   | 0511018750 | 2" X 0.2" X 9.8" SQUARE TUBE      | 02  | 02  | 02  | 02  |
| 10   | 0511018751 | 2" X 0.2" X 18" TUBE SQUARE       | 00  | 02  | 00  | 02  |
| 11   | 0521013405 | 1/2" X 3.5" X 4.5" FASTENER       | 02  | 04  | 02  | 04  |
| 12   | 0511017302 | FLAT WASHER                       | 09  | 14  | 10  | 16  |
| 13   | 0503010019 | 1/2" SPRING WASHER                | 09  | 14  | 10  | 16  |
| 14   | 0503010060 | 1/2" NUT                          | 09  | 14  | 10  | 16  |
| 15   | 0511016009 | VIBRATE-CULTIVATOR SHANKS         | 02  | 03  | 03  | 05  |
| 16   | 0521010049 | FLEXIBLE FIXER SHANKS             | 02  | 03  | 03  | 05  |
| 17   | 0503010847 | 1/2" X 3.1/4" BOLT                | 02  | 03  | 03  | 05  |
| 18   | 0621230001 | 7" X 0,2" "T" SWEEP               | 02  | 03  | 03  | 05  |
| 19   | 0503012016 | 3/8" X 1-1/2" BOLT                | 02  | 03  | 03  | 05  |
| 20   | 0501010984 | FLAT WASHER                       | 02  | 03  | 03  | 05  |
| 21   | 0503010025 | 3/8 SPRING WASHER                 | 02  | 03  | 03  | 05  |
| 22   | 0503010026 | 3/8" NUT                          | 02  | 03  | 03  | 05  |
| 23   | 0521010553 | 0.5" X 3" COUPLING SHAFT          | 01  | 01  | 01  | 01  |
| 24   | 0503030168 | HAIR PIN                          | 01  | 01  | 01  | 01  |
| 25   | 0501048487 | RUBBER DEPTH WHEEL ASSY           | 01  | 01  | 01  | 01  |
| 25A  | 0501051501 | RUBBER DEPTH WHEEL                | 01  | 01  | 01  | 01  |
| 25Aa | 0503030433 | DEPTH CONTROL WHEEL RUBBER BAND   | 01  | 01  | 01  | 01  |

MODULES (RUBBER WHEEL)

| Item | Code       | Description                     | 2LT | 3LT | 3CT | 5CT |
|------|------------|---------------------------------|-----|-----|-----|-----|
| 25Ab | 0502020140 | HUB                             | 02  | 02  | 02  | 02  |
| 25Ac | 0503010272 | SEAL 00715-BA                   | 02  | 02  | 02  | 02  |
| 25Ad | 0503010690 | 6204 BALL BEARING               | 02  | 02  | 02  | 02  |
| 25Ae | 0501015883 | COMPACT WHEEL AXLE              | 01  | 01  | 01  | 01  |
| 25Af | 0503030143 | 3.3" X 1.9" X 0.1" JOINT        | 02  | 02  | 02  | 02  |
| 25Ag | 0503010691 | 1/4" GREASE FITTING             | 02  | 02  | 02  | 02  |
| 25Ah | 0501015919 | PRESS WHEEL RIM                 | 02  | 02  | 02  | 02  |
| 25Ai | 0503010298 | 1/4" X 1/2" BOLT                | 05  | 05  | 05  | 05  |
| 25Aj | 0503010743 | 1/4" X 1-1/4" BOLT              | 05  | 05  | 05  | 05  |
| 25Ak | 0503010143 | SPRING WASHER                   | 05  | 05  | 05  | 05  |
| 25Al | 0503010144 | 1/4" NUT                        | 15  | 15  | 15  | 15  |
| 25B  | 0511060015 | REGULATOR ARM                   | 01  | 01  | 01  | 01  |
| 25C  | 0521013373 | DEPTH ARM FIXER                 | 01  | 01  | 01  | 01  |
| 25D  | 0503010752 | 1/2" X 3.1/2" BOLT              | 01  | 01  | 01  | 01  |
| 25E  | 0503010406 | 501025 CLAMPING RING (FOR AXLE) | 01  | 01  | 01  | 01  |
| 25F  | 0511060031 | REGULATOR SPINDLE               | 01  | 01  | 01  | 01  |
| 25G  | 0511060036 | REGULATOR CABLE                 | 01  | 01  | 01  | 01  |
| 25H  | 0503010683 | 0,2" X 1,2" SPRING PIN          | 01  | 01  | 01  | 01  |



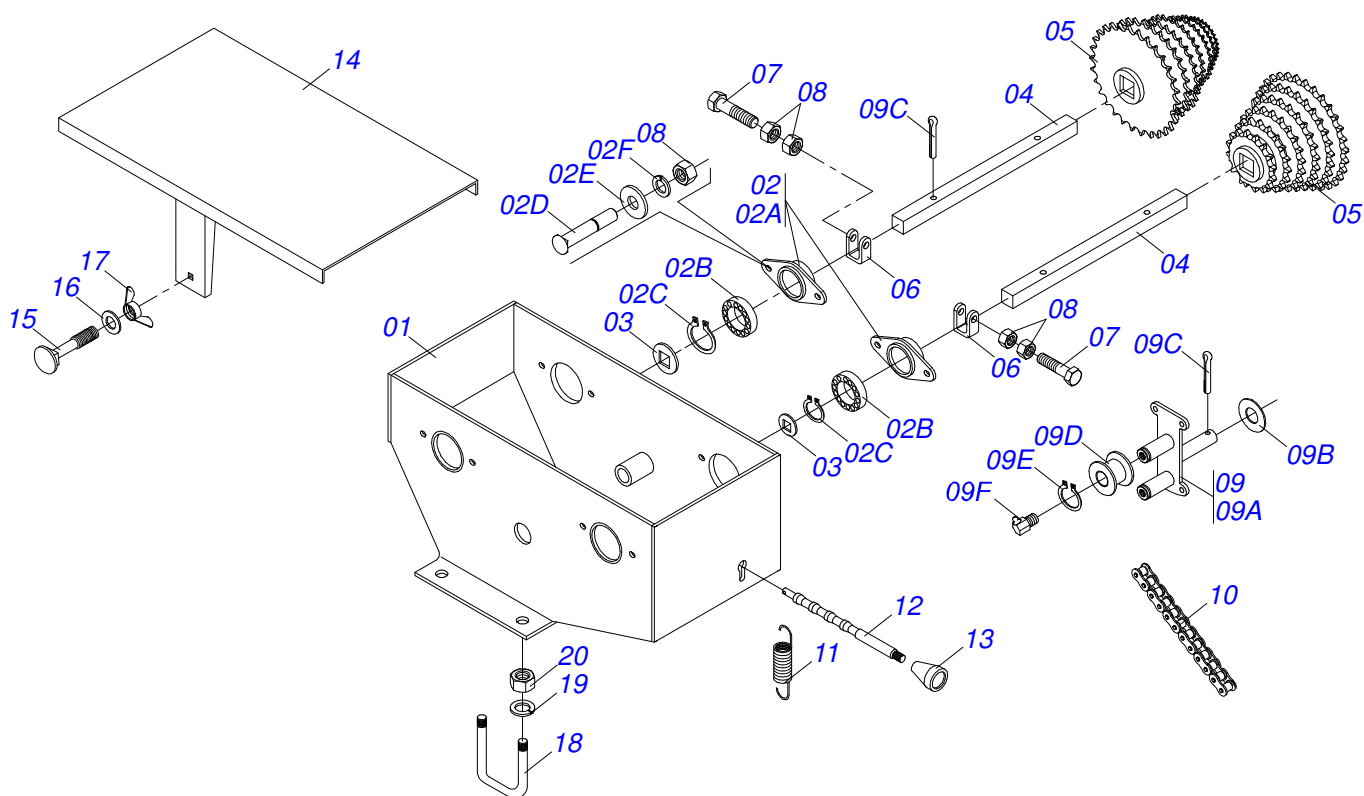


| Item | Code       | Description                       | 2LT | 3LT | 3CT | 5CT |
|------|------------|-----------------------------------|-----|-----|-----|-----|
| 00   | 0501052664 | MODULES SIDE RH WITH 2 HOES ASSSY | 01  | 00  | 00  | 00  |
| 00A  | 0501052665 | MODULES SIDE LT WITH 2 HOES ASSSY | 01  | 00  | 00  | 00  |
| 00B  | 0501052666 | MODULES SIDE RH WITH 3 HOES ASSSY | 00  | 01  | 00  | 00  |
| 00C  | 0501052667 | MODULES SIDE LT WITH 3 HOES ASSSY | 00  | 01  | 00  | 00  |
| 00D  | 0501052668 | MODULES CENTER WITH 3 HOES ASSSY  | 00  | 00  | 01  | 00  |
| 00E  | 0501052669 | MODULES CENTER WITH 5 HOES ASSSY  | 00  | 00  | 00  | 01  |
| 01   | 0511060017 | MODULES                           | 01  | 01  | 01  | 01  |
| 02   | 0501068351 | PARALELOGRAMA TUBE                | 02  | 02  | 02  | 02  |
| 03   | 0521013450 | MODULES FIXER L                   | 02  | 02  | 02  | 02  |
| 04   | 0503012168 | 3/4" X 3-1/2" BOLT                | 04  | 04  | 04  | 04  |
| 05   | 0511017305 | FLAT WASHER                       | 08  | 08  | 08  | 08  |
| 06   | 0503011255 | 3/4" LOCK NUT                     | 08  | 08  | 08  | 08  |
| 07   | 0502011558 | FASTENER                          | 04  | 04  | 04  | 04  |
| 08   | 0503012109 | 3/4" X 6-1/4" BOLT                | 04  | 04  | 04  | 04  |
| 09   | 0511018750 | 2" X 0.2" X 9.8" SQUARE TUBE      | 02  | 02  | 02  | 02  |
| 10   | 0511018751 | 2" X 0.2" X 18" TUBE SQUARE       | 00  | 02  | 00  | 02  |
| 11   | 0521013405 | 1/2" X 3.5" X 4.5" FASTENER       | 02  | 04  | 02  | 04  |
| 12   | 0511017302 | FLAT WASHER                       | 09  | 14  | 10  | 16  |
| 13   | 0503010019 | 1/2" SPRING WASHER                | 09  | 14  | 10  | 16  |
| 14   | 0503010060 | 1/2" NUT                          | 09  | 14  | 10  | 16  |
| 15   | 0511016009 | VIBRATE-CULTIVATOR SHANKS         | 02  | 03  | 03  | 05  |
| 16   | 0521010049 | FLEXIBLE FIXER SHANKS             | 02  | 03  | 03  | 05  |
| 17   | 0503010847 | 1/2" X 3.1/4" BOLT                | 02  | 03  | 03  | 05  |
| 18   | 0621230001 | 7" X 0,2" "T" SWEEP               | 02  | 03  | 03  | 05  |
| 19   | 0503012016 | 3/8" X 1-1/2" BOLT                | 02  | 03  | 03  | 05  |
| 20   | 0501010984 | FLAT WASHER                       | 02  | 03  | 03  | 05  |
| 21   | 0503010025 | 3/8 SPRING WASHER                 | 02  | 03  | 03  | 05  |
| 22   | 0503010026 | 3/8" NUT                          | 02  | 03  | 03  | 05  |
| 23   | 0521010553 | 0.5" X 3" COUPLING SHAFT          | 01  | 01  | 01  | 01  |
| 24   | 0503030168 | HAIR PIN                          | 01  | 01  | 01  | 01  |
| 25   | 0501048510 | IRON DEPTH WHEEL ASSY             | 01  | 01  | 01  | 01  |
| 25A  | 0501051525 | IRON DEPTH WHEEL                  | 01  | 01  | 01  | 01  |
| 25Aa | 0501068793 | IRON DEPTH WHEEL BODY             | 01  | 01  | 01  | 01  |



CAHF2  
MODULES (IRON WHEEL)

| Item | Code       | Description                     | 2LT | 3LT | 3CT | 5CT |
|------|------------|---------------------------------|-----|-----|-----|-----|
| 25Ab | 0502020140 | HUB                             | 02  | 02  | 02  | 02  |
| 25Ac | 0503010272 | SEAL 00715-BA                   | 02  | 02  | 02  | 02  |
| 25Ad | 0503010690 | 6204 BALL BEARING               | 02  | 02  | 02  | 02  |
| 25Ae | 0501015883 | COMPACT WHEEL AXLE              | 01  | 01  | 01  | 01  |
| 25Af | 0503030143 | 3.3" X 1.9" X 0.1" JOINT        | 02  | 02  | 02  | 02  |
| 25Ag | 0503010691 | 1/4" GREASE FITTING             | 02  | 02  | 02  | 02  |
| 25Ah | 0503010743 | 1/4" X 1-1/4" BOLT              | 05  | 05  | 05  | 05  |
| 25Ai | 0503010144 | 1/4" NUT                        | 10  | 10  | 10  | 10  |
| 25B  | 0511060015 | REGULATOR ARM                   | 01  | 01  | 01  | 01  |
| 25C  | 0521013373 | DEPTH ARM FIXER                 | 01  | 01  | 01  | 01  |
| 25D  | 0503010752 | 1/2" X 3.1/2" BOLT              | 01  | 01  | 01  | 01  |
| 25E  | 0503010406 | 501025 CLAMPING RING (FOR AXLE) | 01  | 01  | 01  | 01  |
| 25F  | 0511060031 | REGULATOR SPINDLE               | 01  | 01  | 01  | 01  |
| 25G  | 0511060036 | REGULATOR CABLE                 | 01  | 01  | 01  | 01  |
| 25H  | 0503010683 | 0,2" X 1,2" SPRING PIN          | 01  | 01  | 01  | 01  |



| Item | Code       | Description                      | QT |
|------|------------|----------------------------------|----|
| 01   | 0501069952 | SPEED BOX VARIADOR               | 01 |
| 02   | 0501053361 | SPEED DOUB BEARING VARIADOR      | 04 |
| 02A  | 0502011987 | DOUBLE HOUSING BEARING           | 04 |
| 02B  | 0503011410 | ROLLER BEARING                   | 08 |
| 02C  | 0503011105 | SEAL RING                        | 04 |
| 02D  | 0503012163 | 5/16" X 1-1/2" BOLT              | 08 |
| 02E  | 0501010694 | FLAT WASHER                      | 08 |
| 02F  | 0503010179 | SPRING WASHER                    | 08 |
| 03   | 0511017136 | FLAT WASHER                      | 04 |
| 04   | 0521013283 | SPEED AXLE TRANSMISSION          | 02 |
| 05   | 0501069700 | FERTILIZER GEAR ASSY             | 02 |
| 06   | 0521013222 | U PULLER                         | 04 |
| 07   | 0503010397 | 5/16" X 1-3/4" BOLT              | 04 |
| 08   | 0503010337 | 5/16" NUT                        | 16 |
| 09   | 0501053529 | CHAIN TENSIONER ASSY             | 01 |
| 09A  | 0501069987 | SPEED CHAIN TENSIONER ASSY       | 01 |
| 09B  | 0511015098 | FLAT WASHER                      | 03 |
| 09C  | 0503010571 | 1/4" X 1.1/2 COTTERPIN           | 05 |
| 09D  | 0503030402 | PULLEY                           | 02 |
| 09E  | 0503010302 | 501019 SEAL RING                 | 02 |
| 09F  | 0503010004 | 1890 GREASE FITTING              | 02 |
| 10   | 0503012143 | 78 CHAIN X 40-1 LINK + REDUCTION | 01 |
| 11   | 0503030093 | TRACTION SPRING                  | 01 |
| 12   | 0521013282 | RECAMBIO LEVER                   | 01 |
| 13   | 0503030878 | LEVER CRANK                      | 01 |
| 14   | 0501069980 | SPEED COVER BOX                  | 01 |
| 15   | 0503011953 | 5/16" X 1" BOLT                  | 02 |
| 16   | 0521013303 | WASHER                           | 02 |
| 17   | 0503010499 | 5/16" UNC BUTTERFLY NUT          | 02 |
| 18   | 0521013406 | 9/16"UNC X 7.6" X 4.5" FASTENER  | 02 |
| 19   | 0503010749 | 9/16" SPRING WASHER              | 04 |
| 20   | 0503010132 | 9/16" NUT                        | 04 |





**MARCHESAN IMPLEMENTOS E MÁQUINAS AGRÍCOLAS TATU S.A.**

AV. Marchesan, 1979 - Post office box, 131 - CEP 15994-900 - Matão - SP - Brazil

Phone +55 16.3382-8282

(FAX Parts) + 55 16.3382. 8297 - (Export) + 55 16.3382.1003

e.mail: [tatu@marchesan.com.br](mailto:tatu@marchesan.com.br) [www.marchesan.com.br](http://www.marchesan.com.br)

**Technical Publications: Elaboration**

ALESSANDRA PATRICIA KAWAHARA CARRILI

**Technical Publications: Revision**

ALESSANDRA PATRICIA KAWAHARA CARRILI

*Contact Catálogo:*

*E-mail = [jgaspari@marchesan.com.br](mailto:jgaspari@marchesan.com.br)*

**ORIGINAL PARTS  
TATU**

