

**CULTIVATORS**

**CAHF**

**Code:** 0501091244  
**Series:** S-0802  
**Revision:** 00  
**Date Revision:** OUTUBRO/2003

# PARTS CATALOGUE



**MARCHESAN**



# PRODUCTS

Code	Description
0109020751	CAHF/C 7 X 3 3000 2 CX C/RB S-0802
0109020750	CAHF/C 7 X 3 3000 2 CX C/RF S-0802
0109020753	CAHF/C 10 X 4 3000 3 CX C/RB S-0802
0109020752	CAHF/C 10 X 4 3000 3 CX C/RF S-0802
0109020757	CAHF/C 11 X 3 3000 2 CX C/RB S-0802
0109020756	CAHF/C 11 X 3 3000 2 CX C/RF S-0802
0109020781	CAHF/C 13 X 5 3000 2 CX C/RB S-0802
0109020780	CAHF/C 13 X 5 3000 2 CX C/RF S-0802
0109020759	CAHF/C 13 X 5 4200 2 CX C/RB S-0802
0109020758	CAHF/C 13 X 5 4200 2 CX C/RF S-0802
0109020761	CAHF/C 13 X 5 4200 4 CX C/RB S-0802
0109020760	CAHF/C 13 X 5 4200 4 CX C/RF S-0802
0109020783	CAHF/C 15 X 3 3000 2 CX C/RB S-0802
0109020782	CAHF/C 15 X 3 3000 2 CX C/RF S-0802
0109020785	CAHF/C 15 X 5 3000 2 CX C/RB S-0802
0109020784	CAHF/C 15 X 5 3000 2 CX C/RF S-0802
0109021106	CAHF/C 15 X 5 4200 2 CX C/RF S-0802
0109020755	CAHF/C 16 X 4 3000 3 CX C/RB S-0802
0109020754	CAHF/C 16 X 4 3000 3 CX C/RF S-0802
0109020767	CAHF/C 16 X 6 4600 5 CX C/RB S-0802
0109020766	CAHF/C 16 X 6 4600 5 CX C/RF S-0802
0109020771	CAHF/C 19 X 7 5500 3 CX C/RB S-0802
0109020770	CAHF/C 19 X 7 5500 3 CX C/RF S-0802
0109020773	CAHF/C 19 X 7 5500 6 CX C/RB S-0802
0109020772	CAHF/C 19 X 7 5500 6 CX C/RF S-0802
0109020763	CAHF/C 21 X 5 4200 2 CX C/RB S-0802
0109020762	CAHF/C 21 X 5 4200 2 CX C/RF S-0802
0109020765	CAHF/C 21 X 5 4200 4 CX C/RB S-0802
0109020764	CAHF/C 21 X 5 4200 4 CX C/RF S-0802
0109020525	CAHF/C 21 X 5 4600 4 CX C/RF S-0897

## ATTENTION: IMPORTANT

Marchesan S.A. reserves the right to improve and/or modify the technical features of its products, without obligation to do the same with those products already sold and without prior knowledge of the dealer or the customer. The photos are only illustrative.



# PRODUCTS

0109020388	CAHF/C 21 X 5 5500 2 CX C/RB S-0897
0109020389	CAHF/C 21 X 5 5500 2 CX C/RF S-0897
0109020390	CAHF/C 21 X 5 5500 4 CX C/RB S-0897
0109020391	CAHF/C 21 X 5 5500 4 CX C/RF S-0897
0109020787	CAHF/C 25 X 5 4200 2 CX C/RB S-0802
0109020786	CAHF/C 25 X 5 4200 2 CX C/RF S-0802
0109020789	CAHF/C 25 X 5 4200 4 CX C/RB S-0802
0109020788	CAHF/C 25 X 5 4200 4 CX C/RF S-0802
0109020779	CAHF/C 25 X 9 4200 4 CX C/RB S-0802
0109020778	CAHF/C 25 X 9 4200 4 CX C/RF S-0802
0109020769	CAHF/C 26 X 6 4600 5 CX C/RB S-0802
0109020768	CAHF/C 26 X 6 4600 5 CX C/RF S-0802
0109020382	CAHF/C 26 X 6 6300 5 CX C/RB S-0897
0109020383	CAHF/C 26 X 6 6300 5 CX C/RF S-0897
0109020791	CAHF/C 27 X 9 4200 4 CX C/RB S-0802
0109020790	CAHF/C 27 X 9 4200 4 CX C/RF S-0802
0109020775	CAHF/C 31 X 7 5500 3 CX C/RB S-0802
0109020774	CAHF/C 31 X 7 5500 3 CX C/RF S-0802
0109020777	CAHF/C 31 X 7 5500 6 CX C/RB S-0802
0109020776	CAHF/C 31 X 7 5500 6 CX C/RF S-0802
0109021147	CAHF/C 31 X 7 6400 6 CX C/RF S-0802

## ATTENTION: IMPORTANT

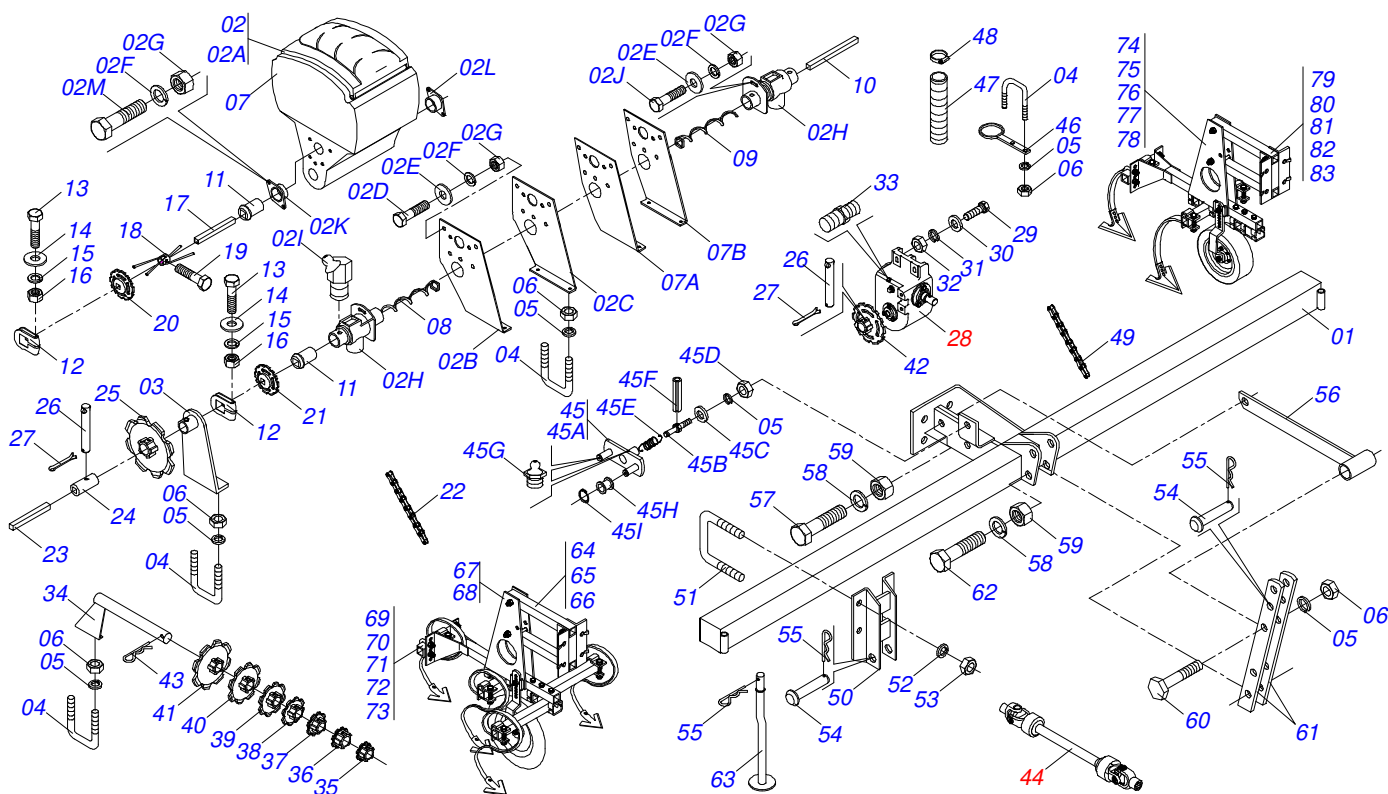
Marchesan S.A. reserves the right to improve and/or modify the technical features of its products, without obligation to do the same with those products already sold and without prior knowledge of the dealer or the customer. The photos are only illustrative.



# INDEX

0909090430	FLOATING ROW CROP CULT AND FERT BOX	.....	1
0909090467	FLOATING ROW CROP CULT AND FERT BOX	.....	2
0909090431	FLOATING ROW CROP CULT AND FERT BOX	.....	3
0909090432	FLOATING ROW CROP CULT AND FERT BOX	.....	4
0909090434	FLOATING ROW CROP CULT AND FERT BOX	.....	5
0909090469	MODULES "S" (RUBBER WHEEL)	.....	6
0909090470	MODULES "S" (IRON WHEEL)	.....	7
0909090474	MODULES "C" (RUBBER RUEDA)	.....	8
0909090475	MODULES "C" (IRON WHEEL)	.....	9
0501042390	DRIVE SHAFT	.....	10
0511040626	REDUCTION	.....	11

FLOATING ROW CROP CULT AND FERT BOX



Item	Code	Description	See page	7/3	10/4	11/3	13/5
01	0501064734	118" FRAME		01	01	01	01
02	0501055057	SUPPORT BOX FERTILIZER DOUBLE		02	02	02	02
02A	0503060645	COVER GREEN BOX FERTIL DOBL YELLOW		01	01	01	01
02B	0521010193	BOX SUPPORT LARGER RIGHT		01	01	01	01
02C	0521010194	BOX SUPPORT LARGER LEFT		01	01	01	01
02D	0503010371	5/16" X 1" BOLT		08	08	08	08
02E	0501011517	FLAT WASHER		12	12	12	12
02F	0503010179	LOCK WASHER 5/16 ZN 1K01528		14	14	14	14
02G	0503010337	5/16" NUT		14	14	14	14
02H	0501110141	SOCKET		02	02	02	02
02I	0503010003	1845 GREASE FITTING		05	07	05	05
02J	0503010421	5/16" X 1-1/2" BOLT		02	02	02	02
02K	0511019411	RH BEARING		01	01	01	01
02L	0521010715	LEFT BEARING		01	01	01	01
02M	0503010365	BOLT 5/16 UNC X 1.1/4 C S G.5 ZN		04	04	04	04
03	0511063286	CENTRAL SUPPORT BEARING		02	02	02	02
04	0521010660	3/4" X 5.9" X 5.1" FASTENER		07	09	07	07
05	0503010023	3/4" SPRING WASHER		15	19	15	15
06	0503010014	3/4" HEX NUT		15	19	15	15
07	0501055058	ODD BOX FERTIL DOUBLE / SUPPORT		00	01	00	00
07A	0521012335	ODD FIXER RIGHT BOX		00	01	00	00
07B	0521012336	ODD FIXER LEFT BOX		00	01	00	00
08	0503031171	RIGHT HELICAL CONDUTOR		02	03	02	02
09	0503031172	LEFT HELICAL CONDUTOR		02	03	02	02
10	0501018700	3/4" X 58" SQUARE SHAFT		01	01	01	01
11	0502010671	CENTRAL BEARING		08	12	08	08
12	0521010691	AXLE FASTENER		10	10	10	10
13	0503010373	SCREW 1/4 UNC X 2 CS G.2 ZN		10	10	10	10
14	0501010694	FLAT WASHER		10	10	10	10
15	0503010143	1/4" SPRING WASHER		10	10	10	10
16	0503010144	1/4" NUT		10	10	10	10



## FLOATING ROW CROP CULT AND FERT BOX

0909090430

Item	Code	Description	See page	7/3	10/4	11/3	13/5
17	0511014218	3/4" X 28.7"SQUARE SHAFT		02	03	02	02
18	0501068529	MEXEDOR BODY		02	03	02	02
19	0503010237	3/8" X 1" BOLT		02	03	02	02
20	0502010146	8Z GEAR		02	03	02	02
21	0502010149	18Z GEAR		02	03	02	02
22	0503011263	2050 CHAIN X 22 LINK + REDUCTION		02	03	02	02
23	0501018699	3/4" X 52" SQUARE SHAFT		01	01	01	01
24	0502012007	SQUARE SLEEVE		01	01	01	01
25	0502011341	16Z P 1.2" RH 0.8" GEAR		01	01	01	01
26	0521010530	JUNCTION AXLE 6,80 X 60		01	01	01	01
27	0503010140	1/8" X 3/4" COTTERPIN		01	01	01	01
28	0511040626	REDUCTION	11	01	01	01	01
29	0503010734	1/2" X 2-1/2" BOLT		02	02	02	02
30	0521012451	FLAT WASHER		02	02	02	02
31	0503010019	1/2" SPRING WASHER		02	02	02	02
32	0503010060	1/2 UNC G.5 ZN HEX NUT		02	02	02	02
33	0503010325	VCA-118 VALVE		01	01	01	01
34	0511063305	GEAR SUPPORT		01	01	01	01
35	0502011306	6Z P 1.2" RH 1.4" GEAR		01	01	01	01
36	0502011314	8Z P 1.1/4" RH1.4" GEAR		01	01	01	01
37	0502011317	10Z P 1.2" RH 1.3/8" GEAR		01	01	01	01
38	0502011324	12Z P 1.2" RH 1.4" GEAR		01	01	01	01
39	0502011334	14Z P 1.2" RH 1.4" GEAR		01	01	01	01
40	0502011345	18Z P 1.25" RH1.3/8" GEAR		01	01	01	01
41	0502012150	20Z 1-1/4" X 1-3/8" GEAR		01	01	01	01
42	0502012151	22Z 1-1/4" X 1-3/8" GEAR		01	01	01	01
43	0503030012	HITCH PIN CLIP		01	01	01	01
44	0501042390	DRIVE SHAFT	10	01	01	01	01
45	0501041672	LEFT CHAIN TENSIONER TRANSM		01	01	01	01
45A	0501062729	CHAIN TENSIONER SUPPORT		01	01	01	01
45B	0511018661	3/4" X 3.3" PIVOT SHAFT		01	01	01	01
45C	0501010322	FLAT WASHER		01	01	01	01
45D	0503011260	3/4" HEX NUT		01	01	01	01
45E	0503030394	1.7"X 1.4"X 0.14" LH TORSION SPRING		01	01	01	01
45F	0503010292	701164 6 X 40 SPRING PIN		01	01	01	01
45G	0503010002	1800 GREASE FITTING		03	03	03	03
45H	0503030402	PULLEY		02	02	02	02
45I	0503010302	501019 SEAL RING		02	02	02	02
46	0501064988	HOSE HOLDER ASSY		04	06	04	04
47	0501018703	2" X 39" HOSE ASSY		04	06	04	04
48	0503010246	CLAMP		04	06	04	04
49	0503010947	2050 CHAIN X 40 LINK + MENDING		01	01	01	01
50	0501064730	CHF HITCH		02	02	02	02
51	0501019259	3/8" UNC X 132 X 130 CLAMP		04	04	04	04
52	0503010025	3/8 SPRING WASHER		08	08	08	08
53	0503010026	3/8" NUT		08	08	08	08
54	0521010577	0.9" X 4.1" COUPLING SHAFT		01	01	01	01
55	0503031035	HITCH PIN CLIP		05	05	05	05
56	0501064601	ATTACHMENT BAR		01	01	01	01
57	0503010233	5/8" X 2-1/2" BOLT		01	01	01	01
58	0503010027	5/8 SPRING WASHER		05	05	05	05
59	0503010013	5/8 NUT		05	05	05	05
60	0501010216	3/4 UNC X 4.1/2 C S G.5 ZN BOLT		01	01	01	01
61	0501019055	CAB SEMI		02	02	02	02
62	0503010232	5/8" X 1.3/4" BOLT		04	04	04	04
63	0501060121	PLOUGH SUPPORT 860 AR		02	02	02	02
64	0501055050	MODULES WITH 2 SPINDLER S SIDE ASSY		02	02	00	02
65	0501055071	MODULES WITH 3 SPINDLER S CENT ASSY		01	00	00	01
66	0501055073	MODULES WITH 3 SPINDLER S INT ASSY		00	02	00	02

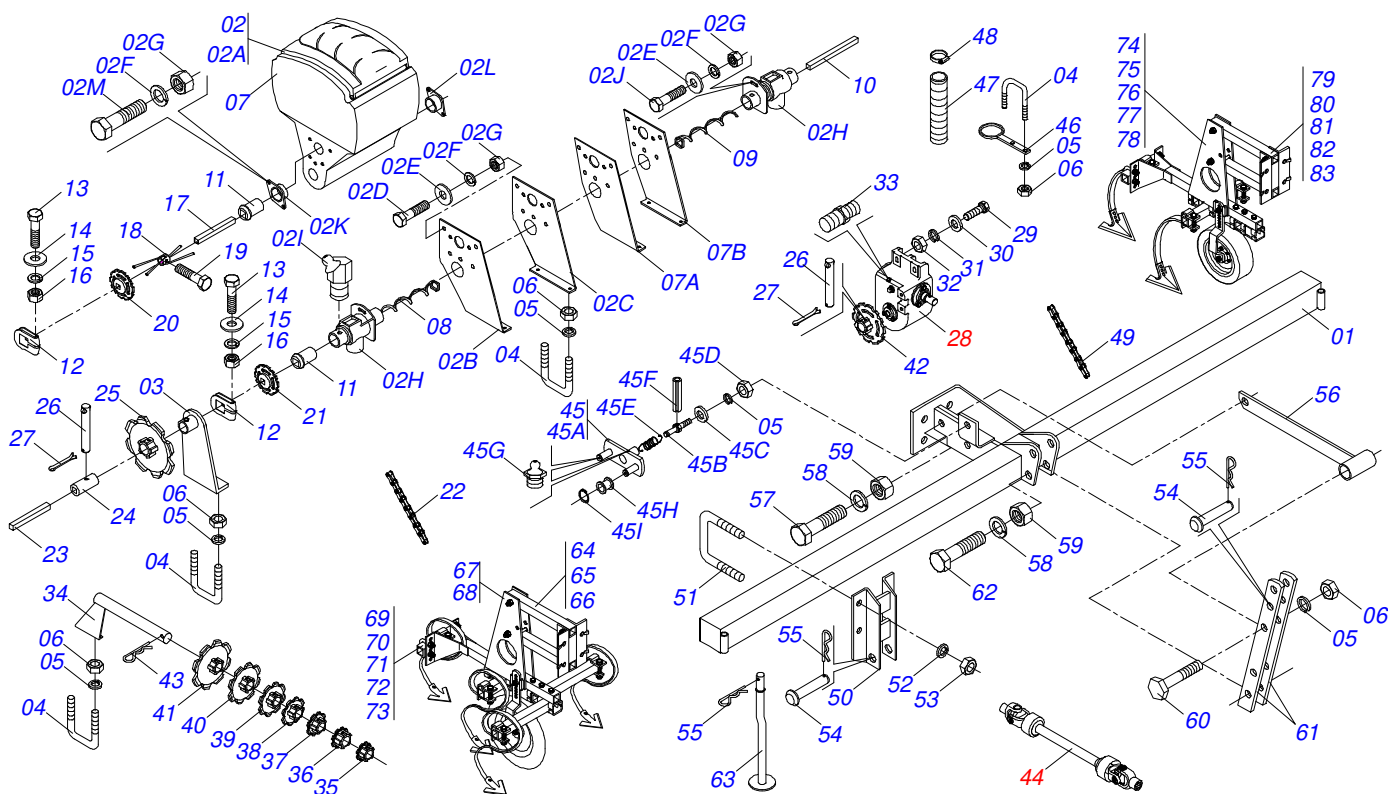


## FLOATING ROW CROP CULT AND FERT BOX

0909090430

Item	Code	Description	See page	7/3	10/4	11/3	13/5
67	0501055075	MODULES WITH 2 SPINDLER S SIDE ASSY		00	00	02	00
68	0501055077	MODULES 5 SPINDLER S CENTER ASSY		00	00	01	00
69	0501055051	MODULES WITH 2 SPINDLER S SIDE ASSY		02	02	00	02
70	0501055072	MODULES 3 SPINDLER S CENTER ASSY		01	00	00	01
71	0501052134	MODULES WITH 3 SPINDLER S INT ASSY		00	02	00	02
72	0501055074	MODULES WITH 3 SPINDLER S SIDE ASSY		00	00	02	00
73	0501055078	MODULES 5 SPINDLER S CENTER ASSY		00	00	01	00
74	0501055098	MODULES 3 SPINDLER C CENTER ASSY		01	00	00	01
75	0501055096	MODULES WITH 2 SPINDLER C SIDE ASSY		02	02	00	02
76	0501055100	MODULES WITH 3 SPINDLER C INT ASSY		00	02	00	02
77	0501055103	MODULES 5 SPINDLER C CENTER ASSY		00	00	01	00
78	0501055105	MODULES WITH 3 SPINDLER C SIDE ASSY		00	00	02	00
79	0501055099	MODULES 3 SPINDLER C CENTER ASSY		01	00	00	01
80	0501055097	MODULES WITH 2 SPINDLER C SIDE ASSY		02	02	00	02
81	0501055101	MODULES 3 SPINDLER C INTERM ASSY		02	02	00	02
82	0501055104	MODULES 5 SPINDLER C CENTER ASSY		00	00	01	00
83	0501055106	MODULES WITH 3 SPINDLER C SIDE ASSY		00	00	02	00

FLOATING ROW CROP CULT AND FERT BOX



Item	Code	Description	See page	15/3	15/5	16/4
01	0501064734	118" FRAME		01	01	01
02	0501055057	SUPPORT BOX FERTILIZER DOUBLE		02	02	02
02A	0503060645	COVER GREEN BOX FERTIL DOBL YELLOW		01	01	01
02B	0521010193	BOX SUPPORT LARGER RIGHT		01	01	01
02C	0521010194	BOX SUPPORT LARGER LEFT		01	01	01
02D	0503010371	5/16" X 1" BOLT		08	08	08
02E	0501011517	FLAT WASHER		12	12	12
02F	0503010179	LOCK WASHER 5/16 ZN 1K01528		14	14	14
02G	0503010337	5/16" NUT		14	14	14
02H	0501110141	SOCKET		02	02	02
02I	0503010003	1845 GREASE FITTING		05	05	05
02J	0503010421	5/16" X 1-1/2" BOLT		02	02	02
02K	0511019411	RH BEARING		01	01	01
02L	0521010715	LEFT BEARING		01	01	01
02M	0503010365	BOLT 5/16 UNC X 1.1/4 C S G.5 ZN		04	04	04
03	0511063286	CENTRAL SUPPORT BEARING		02	02	02
04	0521010660	3/4" X 5.9" X 5.1" FASTENER		07	07	09
05	0503010023	3/4" SPRING WASHER		15	15	19
06	0503010014	3/4" HEX NUT		15	15	15
07	0501055058	ODD BOX FERTIL DOUBLE / SUPPORT		00	00	01
07A	0521012335	ODD FIXER RIGHT BOX		00	00	01
07B	0521012336	ODD FIXER LEFT BOX		00	00	01
08	0503031171	RIGHT HELICAL CONDUTOR		02	02	02
09	0503031172	LEFT HELICAL CONDUTOR		02	02	02
10	0501018700	3/4" X 58" SQUARE SHAFT		01	01	01
11	0502010671	CENTRAL BEARING		08	08	12
12	0521010691	AXLE FASTENER		10	10	10
13	0503010373	SCREW 1/4 UNC X 2 CS G.2 ZN		10	10	10
14	0501010694	FLAT WASHER		10	10	10
15	0503010143	1/4" SPRING WASHER		10	10	10
16	0503010144	1/4" NUT		10	10	10





## FLOATING ROW CROP CULT AND FERT BOX

0909090467

Item	Code	Description	See page	15/3	15/5	16/4
17	0511014218	3/4" X 28.7"SQUARE SHAFT		02	02	02
18	0501068529	MEXEDOR BODY		02	02	02
19	0503010237	3/8" X 1" BOLT		02	02	02
20	0502010146	8Z GEAR		02	02	02
21	0502010149	18Z GEAR		02	02	02
22	0503011263	2050 CHAIN X 22 LINK + REDUCTION		02	02	02
23	0501018699	3/4" X 52" SQUARE SHAFT		01	01	01
24	0502012007	SQUARE SLEEVE		01	01	01
25	0502011341	16Z P 1.2" RH 0.8" GEAR		01	01	01
26	0521010530	JUNCTION AXLE 6,80 X 60		01	01	01
27	0503010140	1/8" X 3/4" COTTERPIN		01	01	01
28	0511040626	REDUCTION	11	01	01	01
29	0503010734	1/2" X 2-1/2" BOLT		02	02	02
30	0521012451	FLAT WASHER		02	02	02
31	0503010019	1/2" SPRING WASHER		02	02	02
32	0503010060	1/2 UNC G.5 ZN HEX NUT		02	02	02
33	0503010325	VCA-118 VALVE		01	01	01
34	0511063305	GEAR SUPPORT		01	01	01
35	0502011306	6Z P 1.2" RH 1.4" GEAR		01	01	01
36	0502011314	8Z P 1.1/4" RH1.4" GEAR		01	01	01
37	0502011317	10Z P 1.2" RH 1.3/8" GEAR		01	01	01
38	0502011324	12Z P 1.2" RH 1.4" GEAR		01	01	01
39	0502011334	14Z P 1.2" RH 1.4" GEAR		01	01	01
40	0502011345	18Z P 1.25" RH1.3/8" GEAR		01	01	01
41	0502012150	20Z 1-1/4" X 1-3/8" GEAR		01	01	01
42	0502012151	22Z 1-1/4" X 1-3/8" GEAR		01	01	01
43	0503030012	HITCH PIN CLIP		01	01	01
44	0501042390	DRIVE SHAFT	10	01	01	01
45	0501041672	LEFT CHAIN TENSIONER TRANSM		01	01	01
45A	0501062729	CHAIN TENSIONER SUPPORT		01	01	01
45B	0511018661	3/4" X 3.3" PIVOT SHAFT		01	01	01
45C	0501010322	FLAT WASHER		01	01	01
45D	0503011260	3/4" HEX NUT		01	01	01
45E	0503030394	1.7"X 1.4"X 0.14" LH TORSION SPRING		01	01	01
45F	0503010292	701164 6 X 40 SPRING PIN		01	01	01
45G	0503010002	1800 GREASE FITTING		03	03	03
45H	0503030402	PULLEY		02	02	02
45I	0503010302	501019 SEAL RING		02	02	02
46	0501064988	HOSE HOLDER ASSY		04	04	06
47	0501018703	2" X 39" HOSE ASSY		04	04	06
48	0503010246	CLAMP		04	04	06
49	0503010947	2050 CHAIN X 40 LINK + MENDING		01	01	01
50	0501064730	CHF HITCH		02	02	02
51	0501019259	3/8" UNC X 132 X 130 CLAMP		04	04	04
52	0503010025	3/8 SPRING WASHER		08	08	08
53	0503010026	3/8" NUT		08	08	08
54	0521010577	0.9" X 4.1" COUPLING SHAFT		01	01	01
55	0503031035	HITCH PIN CLIP		05	05	05
56	0501064601	ATTACHMENT BAR		01	01	01
57	0503010233	5/8" X 2-1/2" BOLT		01	01	01
58	0503010027	5/8 SPRING WASHER		05	05	05
59	0503010013	5/8 NUT		05	05	05
60	0501010216	3/4 UNC X 4.1/2 C S G.5 ZN BOLT		01	01	01
61	0501019055	CAB SEMI		02	02	02
62	0503010232	5/8" X 1.3/4" BOLT		04	04	04
63	0501060121	PLOUGH SUPPORT 860 AR		02	02	02
64	0501055076	MODULES WITH 5 SPINDLER S INTE ASSY		02	00	02
65	0501055077	MODULES 5 SPINDLER S CENTER ASSY		01	00	00
66	0501055071	MODULES WITH 3 SPINDLER S CENT ASSY		00	01	00

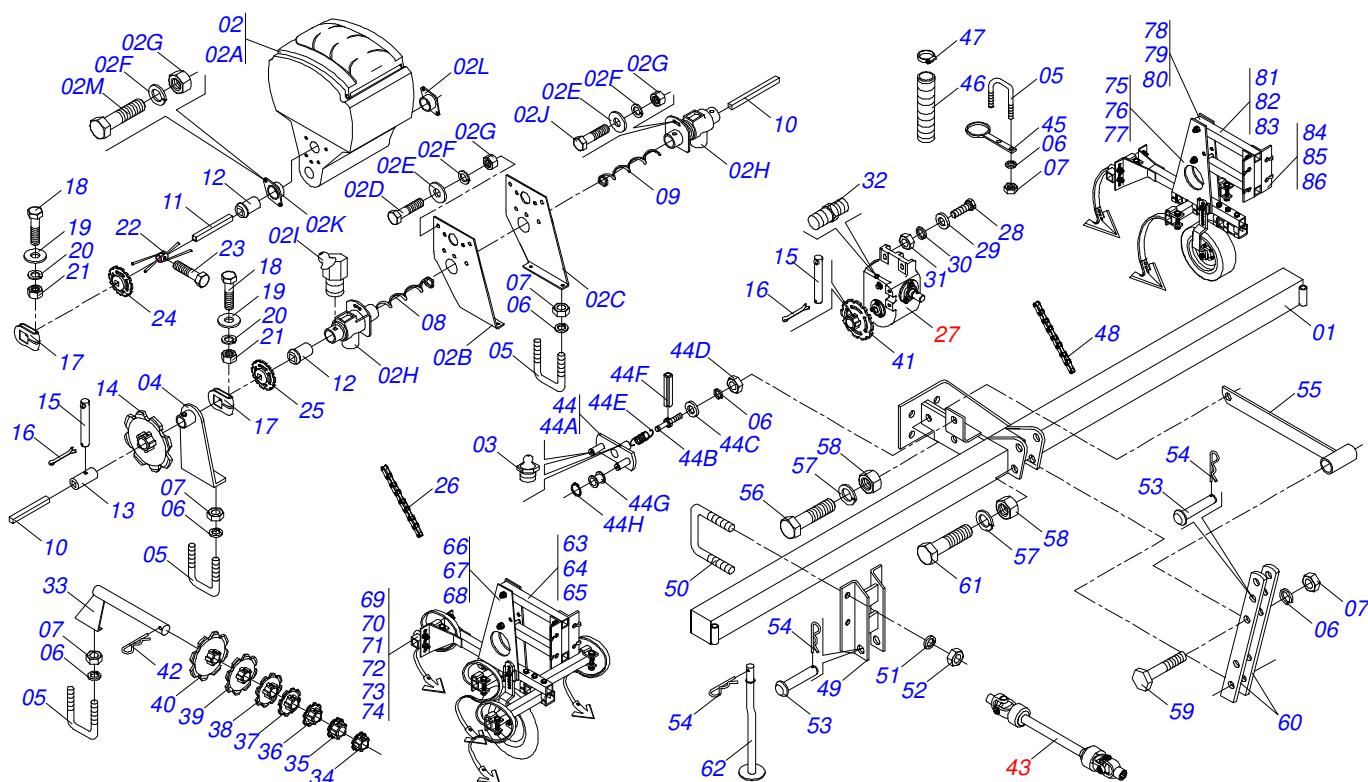


## FLOATING ROW CROP CULT AND FERT BOX

0909090467

Item	Code	Description	See page	15/3	15/5	16/4
67	0501055073	MODULES WITH 3 SPINDLER S INT ASSY		00	04	00
68	0501055075	MODULES WITH 2 SPINDLER S SIDE ASSY		00	00	02
69	0501051497	MODULES WITH 2 SPINDLER S INT ASSY		02	00	02
70	0501055078	MODULES 5 SPINDLER S CENTER ASSY		01	00	00
71	0501055072	MODULES 3 SPINDLER S CENTER ASSY		00	01	00
72	0501052134	MODULES WITH 3 SPINDLER S INT ASSY		00	04	00
73	0501055074	MODULES WITH 3 SPINDLER S SIDE ASSY		00	00	02
74	0501055103	MODULES 5 SPINDLER C CENTER ASSY		01	00	00
75	0501055102	MODULES 5 SPINDLER C INTERM ASSY		02	00	02
76	0501055098	MODULES 3 SPINDLER C CENTER ASSY		00	01	00
77	0501055100	MODULES WITH 3 SPINDLER C INT ASSY		00	02	00
78	0501055105	MODULES WITH 3 SPINDLER C SIDE ASSY		00	02	02
79	0501055104	MODULES 5 SPINDLER C CENTER ASSY		01	00	00
80	0501051513	MODULES 5 SPINDLER C INTERM ASSY		02	00	02
81	0501055099	MODULES 3 SPINDLER C CENTER ASSY		00	01	00
82	0501055101	MODULES 3 SPINDLER C INTERM ASSY		00	02	00
83	0501055106	MODULES WITH 3 SPINDLER C SIDE ASSY		00	02	02

FLOATING ROW CROP CULT AND FERT BOX



Item	Code	Description	See page	13/5	21/5	25/9	25/5	27/9
01	0501064733	165" FRAME		01	01	01	01	01
02	0501055057	SUPPORT BOX FERTILIZER DOUBLE		02	02	02	02	02
02A	0503060645	COVER GREEN BOX FERTIL DOBL YELLOW		01	01	01	01	01
02B	0521010193	BOX SUPPORT LARGER RIGHT		01	01	01	01	01
02C	0521010194	BOX SUPPORT LARGER LEFT		01	01	01	01	01
02D	0503010371	5/16" X 1" BOLT		08	08	08	08	08
02E	0501011517	FLAT WASHER		12	12	12	12	12
02F	0503010179	LOCK WASHER 5/16 ZN 1K01528		14	14	14	14	14
02G	0503010337	5/16" NUT		14	14	14	14	14
02H	0501110141	SOCKET		02	02	02	02	02
02I	0503010003	1845 GREASE FITTING		04	04	04	04	04
02J	0503010421	5/16" X 1-1/2" BOLT		02	02	02	02	02
02K	0511019411	RH BEARING		01	01	01	01	01
02L	0521010715	LEFT BEARING		01	01	01	01	01
02M	0503010365	BOLT 5/16 UNC X 1.1/4 C S G.5 ZN		04	04	04	04	04
03	0503010002	1800 GREASE FITTING		01	01	01	01	01
04	0511063286	CENTRAL SUPPORT BEARING		02	02	02	02	02
05	0521010660	3/4" X 5.9" X 5.1" FASTENER		06	06	06	06	06
06	0503010023	3/4" SPRING WASHER		12	12	12	12	12
07	0503010014	3/4" HEX NUT		12	12	12	12	12
08	0503031171	RIGHT HELICAL CONDUTOR		02	02	02	02	02
09	0503031172	LEFT HELICAL CONDUTOR		02	02	02	02	02
10	0501018702	3/4" X 82" SQUARE SHAFT		02	02	02	02	02
11	0501018701	3/4" X 78" SQUARE SHAFT		01	01	01	01	01
12	0502010671	CENTRAL BEARING		08	08	08	08	08
13	0502012007	SQUARE SLEEVE		01	01	01	01	01
14	0502011341	16Z P 1.2" RH 0.8" GEAR		01	01	01	01	01
15	0521010530	JUNCTION AXLE 6,80 X 60		01	01	01	01	01
16	0503010140	1/8" X 3/4" COTTERPIN		01	01	01	01	01
17	0521010691	AXLE FASTENER		12	12	12	12	12
18	0503010373	SCREW 1/4 UNC X 2 CS G.2 ZN		12	12	12	12	12



## FLOATING ROW CROP CULT AND FERT BOX

0909090431

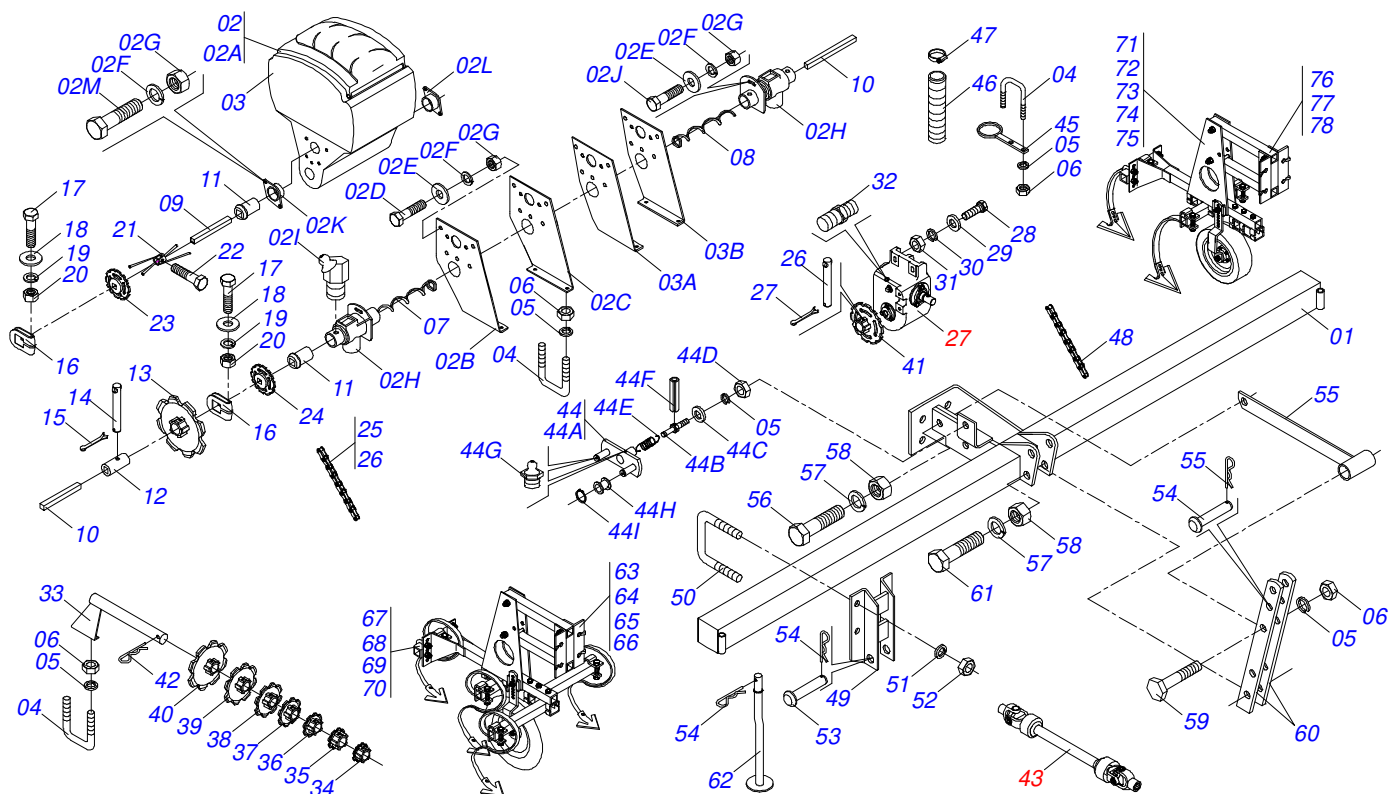
Item	Code	Description	See page	13/5	21/5	25/9	25/5	27/9
19	0501010694	FLAT WASHER		12	12	12	12	12
20	0503010143	1/4" SPRING WASHER		12	12	12	12	12
21	0503010144	1/4" NUT		12	12	12	12	12
22	0501068529	MEXEDOR BODY		02	02	02	02	02
23	0503010237	3/8" X 1" BOLT		02	02	02	02	02
24	0502010146	8Z GEAR		02	02	02	02	02
25	0502010149	18Z GEAR		02	02	02	02	02
26	0503011263	2050 CHAIN X 22 LINK + REDUCTION		01	01	01	01	01
27	0511040626	REDUCTION	11	01	01	01	01	01
28	0503010734	1/2" X 2-1/2" BOLT		02	02	02	02	02
29	0521012451	FLAT WASHER		02	02	02	02	02
30	0503010019	1/2" SPRING WASHER		02	02	02	02	02
31	0503010060	1/2 UNC G.5 ZN HEX NUT		02	02	02	02	02
32	0503010325	VCA-118 VALVE		01	01	01	01	01
33	0511063305	GEAR SUPPORT		01	01	01	01	01
34	0502011306	6Z P 1.2" RH 1.4" GEAR		01	01	01	01	01
35	0502011314	8Z P 1.1/4" RH1.4" GEAR		01	01	01	01	01
36	0502011317	10Z P 1.2" RH 1.3/8" GEAR		01	01	01	01	01
37	0502011324	12Z P 1.2" RH 1.4" GEAR		02	02	02	02	02
38	0502011334	14Z P 1.2" RH 1.4" GEAR		01	01	01	01	01
39	0502011345	18Z P 1.25" RH1.3/8" GEAR		01	01	01	01	01
40	0502012150	20Z 1-1/4" X 1-3/8" GEAR		01	01	01	01	01
41	0502012151	22Z 1-1/4" X 1-3/8" GEAR		01	01	01	01	01
42	0503030012	HITCH PIN CLIP		01	01	01	01	01
43	0501042390	DRIVE SHAFT	10	01	01	01	01	01
44	0501041672	LEFT CHAIN TENSIONER TRANSM		01	01	01	01	01
44A	0501062729	CHAIN TENSIONER SUPPORT		01	01	01	01	01
44B	0511018661	3/4" X 3.3" PIVOT SHAFT		01	01	01	01	01
44C	0501010322	FLAT WASHER		01	01	01	01	01
44D	0503011260	3/4" HEX NUT		01	01	01	01	01
44E	0503030394	1.7"X 1.4"X 0.14" LH TORSION SPRING		01	01	01	01	01
44F	0503010292	701164 6 X 40 SPRING PIN		01	01	01	01	01
44G	0503030402	PULLEY		02	02	02	02	02
44H	0503010302	501019 SEAL RING		02	02	02	02	02
45	0501064988	HOSE HOLDER ASSY		04	04	04	04	04
46	0501018703	2" X 39" HOSE ASSY		04	04	04	04	04
47	0503010246	CLAMP		04	04	04	04	04
48	0503010947	2050 CHAIN X 40 LINK + MENDING		01	01	01	01	01
49	0501064730	CHF HITCH		02	02	02	02	02
50	0501019259	3/8" UNC X 132 X 130 CLAMP		04	04	04	04	04
51	0503010025	3/8 SPRING WASHER		08	08	08	08	08
52	0503010026	3/8" NUT		08	08	08	08	08
53	0521010577	0.9" X 4.1" COUPLING SHAFT		03	03	03	03	03
54	0503031035	HITCH PIN CLIP		03	03	03	03	03
55	0501064601	ATTACHMENT BAR		01	01	01	01	01
56	0503010233	5/8" X 2-1/2" BOLT		01	01	01	01	01
57	0503010027	5/8 SPRING WASHER		01	01	01	01	01
58	0503010013	5/8 NUT		01	01	01	01	01
59	0501010216	3/4 UNC X 4.1/2 C S G.5 ZN BOLT		01	01	01	01	01
60	0501019055	CAB SEMI		02	02	02	02	02
61	0503010232	5/8" X 1.3/4" BOLT		04	04	04	04	04
62	0501060121	PLOUGH SUPPORT 860 AR		02	02	02	02	02
63	0501055071	MODULES WITH 3 SPINDLER S CENT ASSY		01	00	01	00	01
64	0501055073	MODULES WITH 3 SPINDLER S INT ASSY		02	00	03	00	08
65	0501055050	MODULES WITH 2 SPINDLER S SIDE ASSY		02	00	02	00	00
66	0501055077	MODULES 5 SPINDLER S CENTER ASSY		00	01	00	01	00
67	0501055076	MODULES WITH 5 SPINDLER S INTE ASSY		00	02	00	04	00
68	0501055075	MODULES WITH 2 SPINDLER S SIDE ASSY		00	02	00	00	00
69	0501055072	MODULES 3 SPINDLER S CENTER ASSY		01	00	01	00	01



## FLOATING ROW CROP CULT AND FERT BOX

0909090431

Item	Code	Description	See page	13/5	21/5	25/9	25/5	27/9
70	0501052134	MODULES WITH 3 SPINDLER S INT ASSY		02	00	03	00	08
71	0501055051	MODULES WITH 2 SPINDLER S SIDE ASSY		02	00	02	00	00
72	0501055078	MODULES 5 SPINDLER S CENTER ASSY		00	01	00	01	00
73	0501051497	MODULES WITH 2 SPINDLER S INT ASSY		00	02	00	04	00
74	0501055074	MODULES WITH 3 SPINDLER S SIDE ASSY		00	02	00	04	00
75	0501055098	MODULES 3 SPINDLER C CENTER ASSY		01	00	01	00	01
76	0501055100	MODULES WITH 3 SPINDLER C INT ASSY		02	00	06	00	06
77	0501055096	MODULES WITH 2 SPINDLER C SIDE ASSY		02	00	02	00	00
78	0501055103	MODULES 5 SPINDLER C CENTER ASSY		00	01	00	01	00
79	0501055102	MODULES 5 SPINDLER C INTERM ASSY		00	02	00	04	00
80	0501055105	MODULES WITH 3 SPINDLER C SIDE ASSY		00	02	00	00	02
81	0501055099	MODULES 3 SPINDLER C CENTER ASSY		01	00	01	00	01
82	0501055101	MODULES 3 SPINDLER C INTERM ASSY		02	00	06	00	06
83	0501055097	MODULES WITH 2 SPINDLER C SIDE ASSY		02	00	02	00	00
84	0501055104	MODULES 5 SPINDLER C CENTER ASSY		00	01	00	01	00
85	0501051513	MODULES 5 SPINDLER C INTERM ASSY		00	02	00	04	00
86	0501055106	MODULES WITH 3 SPINDLER C SIDE ASSY		00	02	00	00	02



Item	Code	Description	See page	16/6	26/6
01	0501066766	181" FRAME		01	01
02	0501055057	SUPPORT BOX FERTILIZER DOUBLE		04	04
02A	0503060645	COVER GREEN BOX FERTIL DOBL YELLOW		01	01
02B	0521010193	BOX SUPPORT LARGER RIGHT		01	01
02C	0521010194	BOX SUPPORT LARGER LEFT		01	01
02D	0503010371	5/16" X 1" BOLT		08	08
02E	0501011517	FLAT WASHER		12	12
02F	0503010179	LOCK WASHER 5/16 ZN 1K01528		14	14
02G	0503010337	5/16" NUT		14	14
02H	0501110141	SOCKET		02	02
02I	0503010003	1845 GREASE FITTING		15	15
02J	0503010421	5/16" X 1-1/2" BOLT		02	02
02K	0511019411	RH BEARING		01	01
02L	0521010715	LEFT BEARING		01	01
02M	0503010365	BOLT 5/16 UNC X 1.1/4 C S G.5 ZN		04	04
03	0501055058	ODD BOX FERTIL DOUBLE / SUPPORT		01	01
03A	0521012335	ODD FIXER RIGHT BOX		01	01
03B	0521012336	ODD FIXER LEFT BOX		01	01
04	0521010660	3/4" X 5.9" X 5.1" FASTENER		10	10
05	0503010023	3/4" SPRING WASHER		20	20
06	0503010014	3/4" HEX NUT		20	20
07	0503031171	RIGHT HELICAL CONDUTOR		05	05
08	0503031172	LEFT HELICAL CONDUTOR		05	05
09	0501018701	3/4" X 78" SQUARE SHAFT		02	02
10	0501018702	3/4" X 82" SQUARE SHAFT		02	02
11	0502010671	CENTRAL BEARING		20	20
12	0502012007	SQUARE SLEEVE		01	01
13	0502011341	16Z P 1.2" RH 0.8" GEAR		01	01
14	0521010530	JUNCTION AXLE 6,80 X 60		01	01
15	0503010140	1/8" X 3/4" COTTERPIN		01	01
16	0521010691	AXLE FASTENER		24	24



## FLOATING ROW CROP CULT AND FERT BOX

0909090432

Item	Code	Description	See page	16/6	26/6
17	0503010373	SCREW 1/4 UNC X 2 CS G.2 ZN		24	24
18	0501010694	FLAT WASHER		24	24
19	0503010143	1/4" SPRING WASHER		24	24
20	0503010144	1/4" NUT		24	24
21	0501068529	MEXEDOR BODY		05	05
22	0503010237	3/8" X 1" BOLT		05	05
23	0502010146	8Z GEAR		04	04
24	0502010149	18Z GEAR		03	03
25	0503011263	2050 CHAIN X 22 LINK + REDUCTION		02	02
26	0503010450	2050 CHAIN X 30 LINK + REDUCTION		01	01
27	0511040626	REDUCTION	11	01	01
28	0503010734	1/2" X 2-1/2" BOLT		02	02
29	0521012451	FLAT WASHER		02	02
30	0503010019	1/2" SPRING WASHER		02	02
31	0503010060	1/2 UNC G.5 ZN HEX NUT		02	02
32	0503010325	VCA-118 VALVE		01	01
33	0511063305	GEAR SUPPORT		01	01
34	0502011306	6Z P 1.2" RH 1.4" GEAR		01	01
35	0502011314	8Z P 1.1/4" RH1.4" GEAR		01	01
36	0502011317	10Z P 1.2" RH 1.3/8" GEAR		01	01
37	0502011324	12Z P 1.2" RH 1.4" GEAR		01	01
38	0502011334	14Z P 1.2" RH 1.4" GEAR		01	01
39	0502011345	18Z P 1.25" RH1.3/8" GEAR		01	01
40	0502012150	20Z 1-1/4" X 1-3/8" GEAR		01	01
41	0502012151	22Z 1-1/4" X 1-3/8" GEAR		01	01
42	0503030012	HITCH PIN CLIP		01	01
43	0501042390	DRIVE SHAFT	10	01	01
44	0501041672	LEFT CHAIN TENSIONER TRANSM		01	01
44A	0501062729	CHAIN TENSIONER SUPPORT		01	01
44B	0511018661	3/4" X 3.3" PIVOT SHAFT		01	01
44C	0501010322	FLAT WASHER		01	01
44D	0503011260	3/4" HEX NUT		01	01
44E	0503030394	1.7"X 1.4"X 0.14" LH TORSION SPRING		01	01
44F	0503010292	701164 6 X 40 SPRING PIN		01	01
44G	0503010002	1800 GREASE FITTING		03	03
44H	0503030402	PULLEY		02	02
44I	0503010302	501019 SEAL RING		02	02
45	0501064988	HOSE HOLDER ASSY		10	10
46	0501018703	2" X 39" HOSE ASSY		10	10
47	0503010246	CLAMP		10	10
48	0503010947	2050 CHAIN X 40 LINK + MENDING		01	01
49	0501064730	CHF HITCH		02	02
50	0501019259	3/8" UNC X 132 X 130 CLAMP		02	02
51	0503010025	3/8 SPRING WASHER		04	04
52	0503010026	3/8" NUT		04	04
53	0521010577	0.9" X 4.1" COUPLING SHAFT		03	03
54	0503031035	HITCH PIN CLIP		03	03
55	0501064601	ATTACHMENT BAR		01	01
56	0503010233	5/8" X 2-1/2" BOLT		01	01
57	0503010027	5/8 SPRING WASHER		01	01
58	0503010013	5/8 NUT		01	01
59	0501010216	3/4 UNC X 4.1/2 C S G.5 ZN BOLT		01	01
60	0501019055	CAB SEMI		02	02
61	0503010232	5/8" X 1.3/4" BOLT		04	04
62	0501060121	PLOUGH SUPPORT 860 AR		02	02
63	0501055073	MODULES WITH 3 SPINDLER S INT ASSY		04	00
64	0501055050	MODULES WITH 2 SPINDLER S SIDE ASSY		02	00
65	0501055076	MODULES WITH 5 SPINDLER S INTE ASSY		02	00
66	0501055075	MODULES WITH 2 SPINDLER S SIDE ASSY		00	04



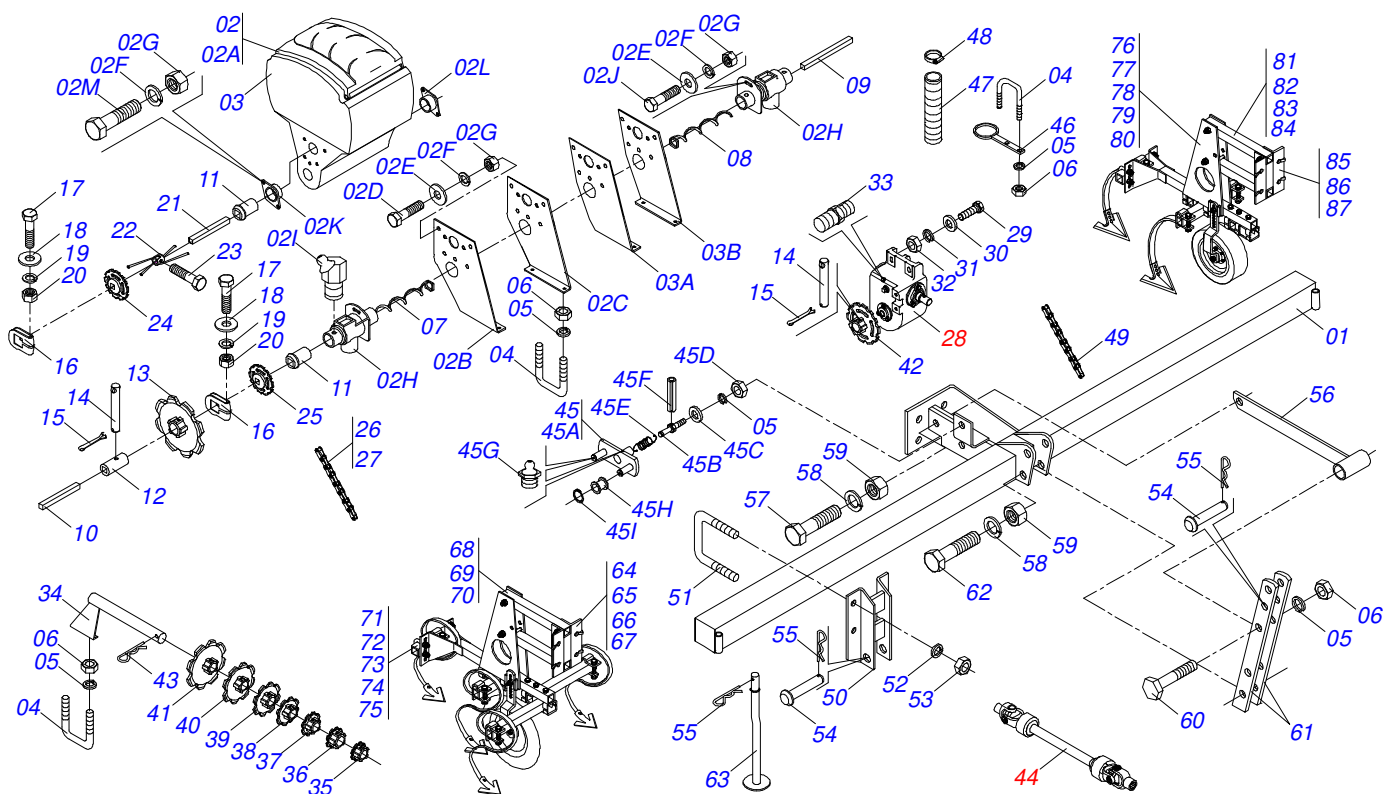
## FLOATING ROW CROP CULT AND FERT BOX

0909090432

Item	Code	Description	See page	16/6	26/6
67	0501052134	MODULES WITH 3 SPINDLER S INT ASSY		00	02
68	0501055051	MODULES WITH 2 SPINDLER S SIDE ASSY		04	00
69	0501051497	MODULES WITH 2 SPINDLER S INT ASSY		00	04
70	0501055074	MODULES WITH 3 SPINDLER S SIDE ASSY		00	02
71	0501055100	MODULES WITH 3 SPINDLER C INT ASSY		04	00
72	0501055096	MODULES WITH 2 SPINDLER C SIDE ASSY		02	00
73	0501055102	MODULES 5 SPINDLER C INTERM ASSY		00	04
74	0501055105	MODULES WITH 3 SPINDLER C SIDE ASSY		00	02
75	0501055101	MODULES 3 SPINDLER C INTERM ASSY		04	00
76	0501055097	MODULES WITH 2 SPINDLER C SIDE ASSY		02	00
77	0501051513	MODULES 5 SPINDLER C INTERM ASSY		00	04
78	0501055106	MODULES WITH 3 SPINDLER C SIDE ASSY		00	02



FLOATING ROW CROP CULT AND FERT BOX



Item	Code	Description	See page	19/7	31/7
01	0501066767	216" FRAME		01	01
02	0501055057	SUPPORT BOX FERTILIZER DOUBLE		02	02
02A	0503060645	COVER GREEN BOX FERTIL DOBL YELLOW		02	02
02B	0521010193	BOX SUPPORT LARGER RIGHT		01	01
02C	0521010194	BOX SUPPORT LARGER LEFT		01	01
02D	0503010371	5/16" X 1" BOLT		01	01
02E	0501011517	FLAT WASHER		12	12
02F	0503010179	LOCK WASHER 5/16 ZN 1K01528		14	14
02G	0503010337	5/16" NUT		14	14
02H	0501110141	SOCKET		02	02
02I	0503010003	1845 GREASE FITTING		06	12
02J	0503010421	5/16" X 1-1/2" BOLT		02	02
02K	0511019411	RH BEARING		01	01
02L	0521010715	LEFT BEARING		01	01
02M	0503010365	BOLT 5/16 UNC X 1.1/4 C S G.5 ZN		04	04
03	0501055058	ODD BOX FERTIL DOBL / SUPPORT		01	01
03A	0521012335	ODD FIXER RIGHT BOX		01	01
03B	0521012336	ODD FIXER LEFT BOX		01	01
04	0521010660	3/4" X 5.9" X 5.1" FASTENER		04	04
05	0503010023	3/4" SPRING WASHER		08	08
06	0503010014	3/4" HEX NUT		08	08
07	0503031171	RIGHT HELICAL CONDUTOR		03	03
08	0503031172	LEFT HELICAL CONDUTOR		03	03
09	0511017230	3/4" X 94" SQUARE SHAFT		01	01
10	0511017231	3/4" X 98" SQUARE SHAFT		01	01
11	0502010671	CENTRAL BEARING		14	14
12	0502012007	SQUARE SLEEVE		01	01
13	0502011341	16Z P 1.2" RH 0.8" GEAR		01	01
14	0521010530	JUNCTION AXLE 6,80 X 60		01	01
15	0503010140	1/8" X 3/4" COTTERPIN		01	01
16	0521010691	AXLE FASTENER		20	20



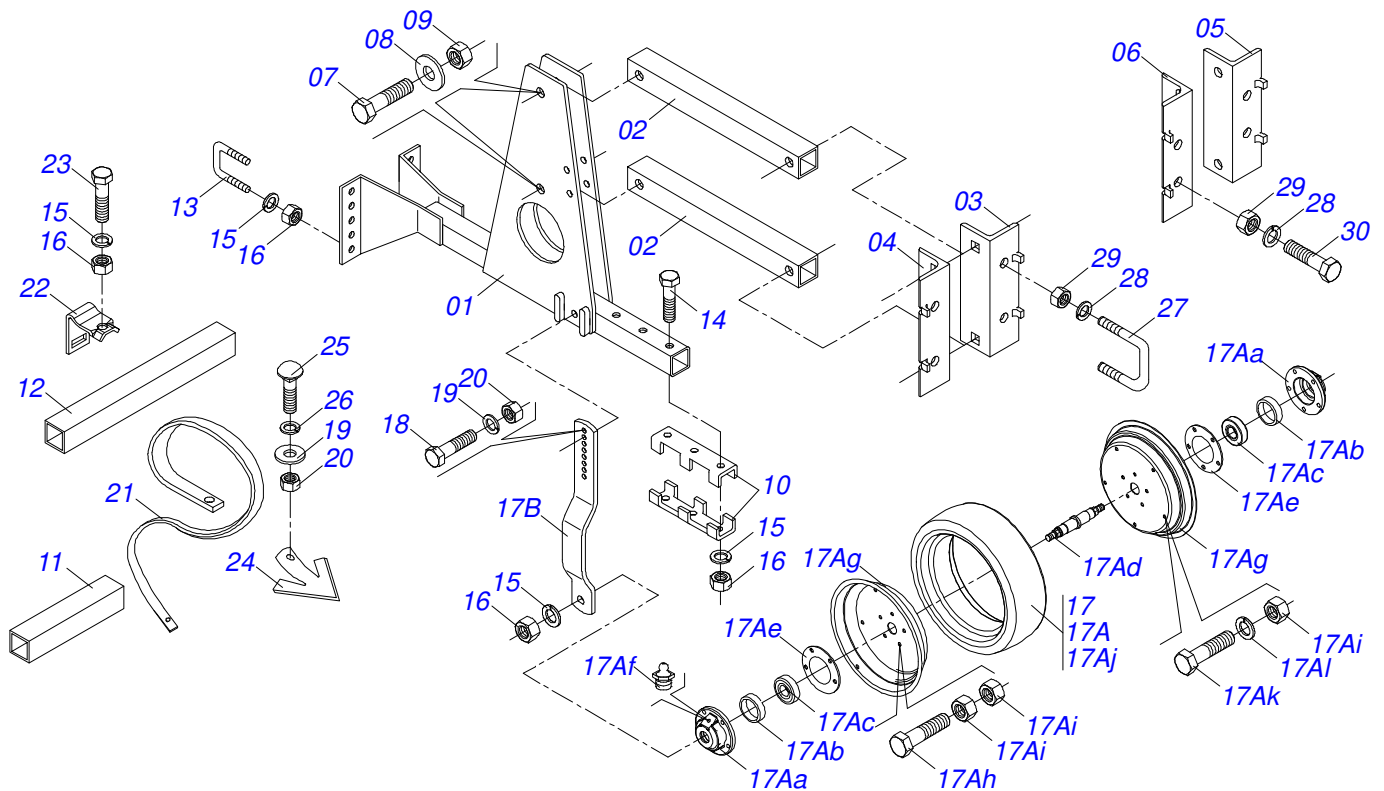
## FLOATING ROW CROP CULT AND FERT BOX

0909090434

Item	Code	Description	See page	19/7	31/7
17	0503010373	SCREW 1/4 UNC X 2 CS G.2 ZN		20	20
18	0501010694	FLAT WASHER		20	20
19	0503010143	1/4" SPRING WASHER		20	20
20	0503010144	1/4" NUT		20	20
21	0511014218	3/4" X 28.7"SQUARE SHAFT		04	04
22	0501068529	MEXEDOR BODY		03	03
23	0503010237	3/8" X 1" BOLT		03	03
24	0502010146	8Z GEAR		04	04
25	0502010149	18Z GEAR		03	03
26	0503011263	2050 CHAIN X 22 LINK + REDUCTION		02	02
27	0503010450	2050 CHAIN X 30 LINK + REDUCTION		01	01
28	0511040626	REDUCTION	11	01	01
29	0503010737	COD PA15 ERMETO NUT		02	02
30	0521012451	FLAT WASHER		02	02
31	0503010019	1/2" SPRING WASHER		02	02
32	0503010060	1/2 UNC G.5 ZN HEX NUT		02	02
33	0503010325	VCA-118 VALVE		01	01
34	0511063305	GEAR SUPPORT		01	01
35	0502011306	6Z P 1.2" RH 1.4" GEAR		01	01
36	0502011314	8Z P 1.1/4" RH1.4" GEAR		01	01
37	0502011317	10Z P 1.2" RH 1.3/8" GEAR		01	01
38	0502011324	12Z P 1.2" RH 1.4" GEAR		02	02
39	0502011334	14Z P 1.2" RH 1.4" GEAR		01	01
40	0502011345	18Z P 1.25" RH1.3/8" GEAR		01	01
41	0502012150	20Z 1-1/4" X 1-3/8" GEAR		01	01
42	0502012151	22Z 1-1/4" X 1-3/8" GEAR		01	01
43	0503030012	HITCH PIN CLIP		01	01
44	0501042390	DRIVE SHAFT	10	01	01
45	0501041672	LEFT CHAIN TENSIONER TRANSM		01	01
45A	0501062729	CHAIN TENSIONER SUPPORT		01	01
45B	0511018661	3/4" X 3.3" PIVOT SHAFT		01	01
45C	0501010322	FLAT WASHER		01	01
45D	0503011260	3/4" HEX NUT		01	01
45E	0503030394	1.7"X 1.4"X 0.14" LH TORSION SPRING		01	01
45F	0503010292	701164 6 X 40 SPRING PIN		01	01
45G	0503010002	1800 GREASE FITTING		03	03
45H	0503030402	PULLEY		02	02
45I	0503010302	501019 SEAL RING		02	02
46	0501064988	HOSE HOLDER ASSY		06	12
47	0501018703	2" X 39" HOSE ASSY		06	06
48	0503010246	CLAMP		06	06
49	0503010947	2050 CHAIN X 40 LINK + MENDING		01	01
50	0501064730	CHF HITCH		02	02
51	0501019259	3/8" UNC X 132 X 130 CLAMP		06	02
52	0503010025	3/8 SPRING WASHER		06	06
53	0503010026	3/8" NUT		06	06
54	0521010577	0.9" X 4.1" COUPLING SHAFT		03	03
55	0503031035	HITCH PIN CLIP		05	05
56	0501064601	ATTACHMENT BAR		01	01
57	0503010233	5/8" X 2-1/2" BOLT		01	01
58	0503010027	5/8 SPRING WASHER		01	01
59	0503010013	5/8 NUT		01	01
60	0501010216	3/4 UNC X 4.1/2 C S G.5 ZN BOLT		01	01
61	0501019055	CAB SEMI		02	02
62	0503010232	5/8" X 1.3/4" BOLT		04	04
63	0501060121	PLOUGH SUPPORT 860 AR		02	02
64	0501055071	MODULES WITH 3 SPINDLER S CENT ASSY		01	00
65	0501055073	MODULES WITH 3 SPINDLER S INT ASSY		04	00
66	0501055050	MODULES WITH 2 SPINDLER S SIDE ASSY		02	00

FLOATING ROW CROP CULT AND FERT BOX

Item	Code	Description	See page	19/7	31/7
67	0501055077	MODULES 5 SPINDLER S CENTER ASSY		00	01
68	0501055076	MODULES WITH 5 SPINDLER S INTE ASSY		00	04
69	0501055075	MODULES WITH 2 SPINDLER S SIDE ASSY		00	02
70	0501055072	MODULES 3 SPINDLER S CENTER ASSY		01	00
71	0501052134	MODULES WITH 3 SPINDLER S INT ASSY		04	00
72	0501055051	MODULES WITH 2 SPINDLER S SIDE ASSY		02	00
73	0501055078	MODULES 5 SPINDLER S CENTER ASSY		00	01
74	0501051497	MODULES WITH 2 SPINDLER S INT ASSY		00	04
75	0501055074	MODULES WITH 3 SPINDLER S SIDE ASSY		00	02
76	0501055098	MODULES 3 SPINDLER C CENTER ASSY		01	00
77	0501055100	MODULES WITH 3 SPINDLER C INT ASSY		04	00
78	0501055096	MODULES WITH 2 SPINDLER C SIDE ASSY		02	00
79	0501055103	MODULES 5 SPINDLER C CENTER ASSY		00	01
80	0501055102	MODULES 5 SPINDLER C INTERM ASSY		00	04
81	0501055105	MODULES WITH 3 SPINDLER C SIDE ASSY		00	02
82	0501055099	MODULES 3 SPINDLER C CENTER ASSY		01	00
83	0501055101	MODULES 3 SPINDLER C INTERM ASSY		04	00
84	0501055097	MODULES WITH 2 SPINDLER C SIDE ASSY		02	00
85	0501055104	MODULES 5 SPINDLER C CENTER ASSY		00	01
86	0501051513	MODULES 5 SPINDLER C INTERM ASSY		00	04
87	0501055106	MODULES WITH 3 SPINDLER C SIDE ASSY		00	02



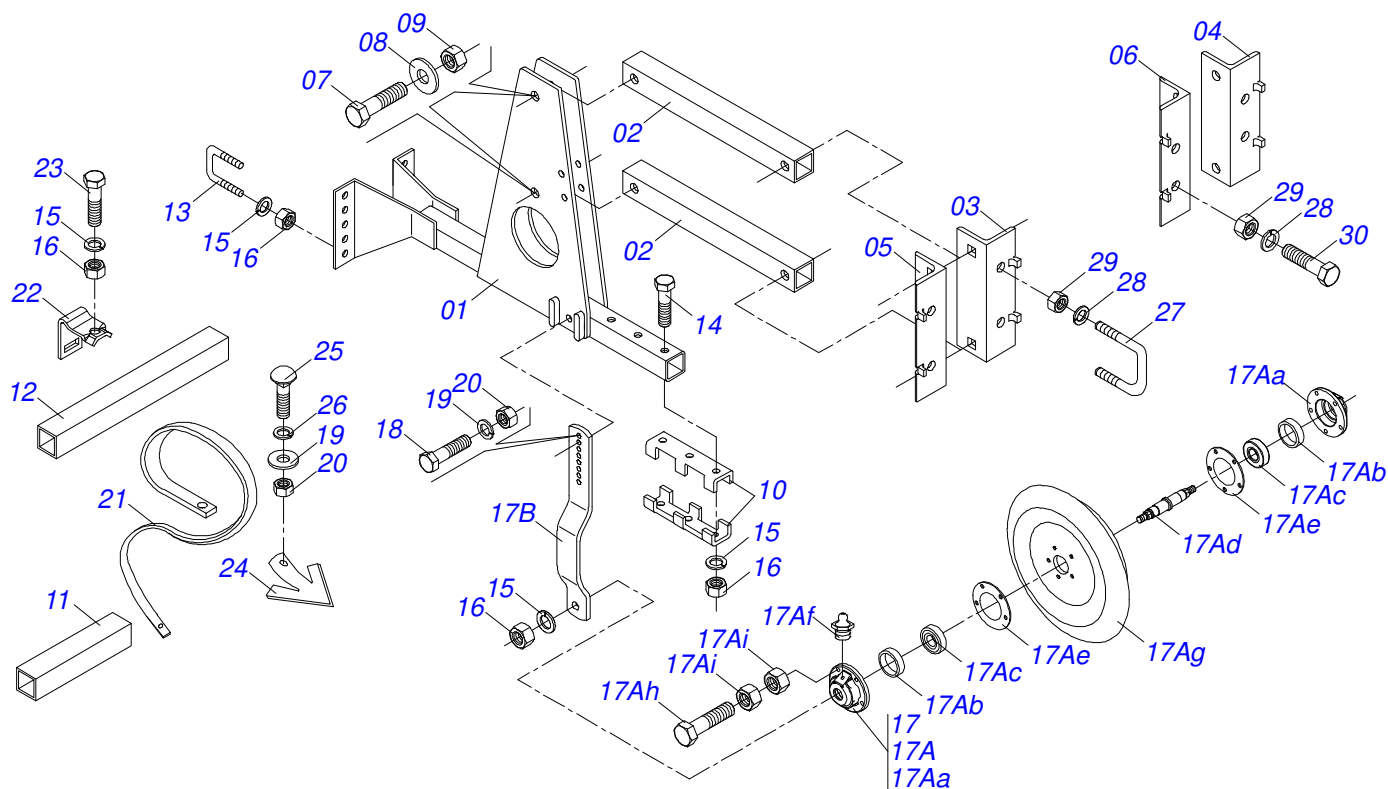
Item	Code	Description	See page	2LT	3LT	3CT	3IN	5IN/CT
00	0501055050	MODULES WITH 2 SPINDLER S SIDE ASSY	01	00	00	00	00	00
00A	0501055075	MODULES WITH 2 SPINDLER S SIDE ASSY	00	01	00	00	00	00
00B	0501055071	MODULES WITH 3 SPINDLER S CENT ASSY	00	01	00	00	00	00
00C	0501055073	MODULES WITH 3 SPINDLER S INT ASSY	00	00	01	00	00	00
00D	0501055076	MODULES WITH 5 SPINDLER S INTE ASSY	00	00	00	01	00	00
00E	0501055077	MODULES 5 SPINDLER S CENTER ASSY	00	00	00	00	01	01
01	0501068350	MODULATE BODY	01	01	01	01	01	01
02	0501068351	PARALELOGRAMA TUBE	02	02	02	02	02	02
03	0511018739	SIDE BODY FIXER SISTEM SHANKS	01	01	00	01	01	01
04	0511017294	SIDE BODY FIXER SISTEM SHANKS	01	01	00	01	01	01
05	0521010029	CENTER BODY FIXER SISTEM SHANKS	01	01	00	01	01	01
06	0521010030	CENTER BODY FIXER SISTEM SHANKS	01	01	00	01	01	01
07	0501010162	3/4" X 4" BOLT	04	04	04	04	04	04
08	0501010322	FLAT WASHER	04	04	04	04	04	04
09	0503011075	3/4" UNC NUT	04	04	04	04	04	04
10	0511018881	TUBE FIXING BASE	02	02	02	02	02	02
11	0511018750	2" X 0.2" X 9.8" SQUARE TUBE	02	03	03	03	03	03
12	0511018751	2" X 0.2" X 18" TUBE SQUARE	00	01	00	02	00	00
13	0511018746	1/2" UNC X 2,9" X 2,5" HOLDER	02	02	02	02	02	02
14	0503011411	1/2" X 5-1/2" BOLT	03	06	03	03	06	06
15	0503010019	1/2" SPRING WASHER	07	11	11	11	12	12
16	0503010060	1/2 UNC G.5 ZN HEX NUT	07	11	11	11	12	12
17	0501042029	RUBBER DEPTH WHEEL ASSY	01	01	01	01	01	01
17A	0501051501	RUBBER DEPTH WHEEL	01	01	01	01	01	01
17Aa	0502020140	HUB	02	02	02	02	02	02
17Ab	0503010272	SEAL 00715-BA	02	02	02	02	02	02
17Ac	0503010690	6204 BALL BEARING	02	02	02	02	02	02
17Ad	0501015883	COMPACT WHEEL AXLE	01	01	01	01	01	01
17Ae	0503030143	3.3" X 1.9" X 0.1" JOINT	02	02	02	02	02	02
17Af	0503010691	1/4" GREASE FITTING	02	02	02	02	02	02
17Ag	0501015919	PRESS WHEEL RIM	02	02	02	02	02	02



## MODULES "S" (RUBBER WHEEL)

0909090469

Item	Code	Description	See page	2LT	3LT	3CT	3IN	5IN/CT
17Ah	0503010743	1/4" X 1-1/4" BOLT		05	05	05	05	05
17Ai	0503010144	1/4" NUT		15	15	15	15	15
17Aj	0503030433	DEPTH CONTROL WHEEL RUBBER BAND		01	01	01	01	01
17Ak	0503010298	1/4" X 1/2" BOLT		05	05	05	05	05
17Al	0503010143	1/4" SPRING WASHER		05	05	05	05	05
17B	0501019265	DEPTH WHEEL ARM		02	02	02	02	02
18	0503010481	BOLT		01	01	01	01	01
19	0503010025	3/8 SPRING WASHER		03	03	03	03	06
20	0503010026	3/8" NUT		03	03	03	03	06
21	0511016009	VIBRATE-CULTIVATOR SHANKS		02	03	03	03	05
22	0521010049	FLEXIBLE FIXER SHANKS		02	03	03	03	05
23	0503010752	1/2" X 3.1/2" BOLT		02	03	03	03	05
24	0621230001	7" X 0,2" "T" SWEEP		02	03	03	03	05
25	0503012016	3/8" X 1-1/2" BOLT		02	03	03	03	05
26	0501010984	10,50 X 27 X 3,00 FLAT WASHER		02	03	03	03	05
27	0521010660	3/4" X 5.9" X 5.1" FASTENER		02	02	00	02	02
28	0503010023	3/4" SPRING WASHER		04	04	08	04	08
29	0503010014	3/4" HEX NUT		04	04	08	04	08
30	0501010098	3/4" UNC BOLT		00	04	00	04	00



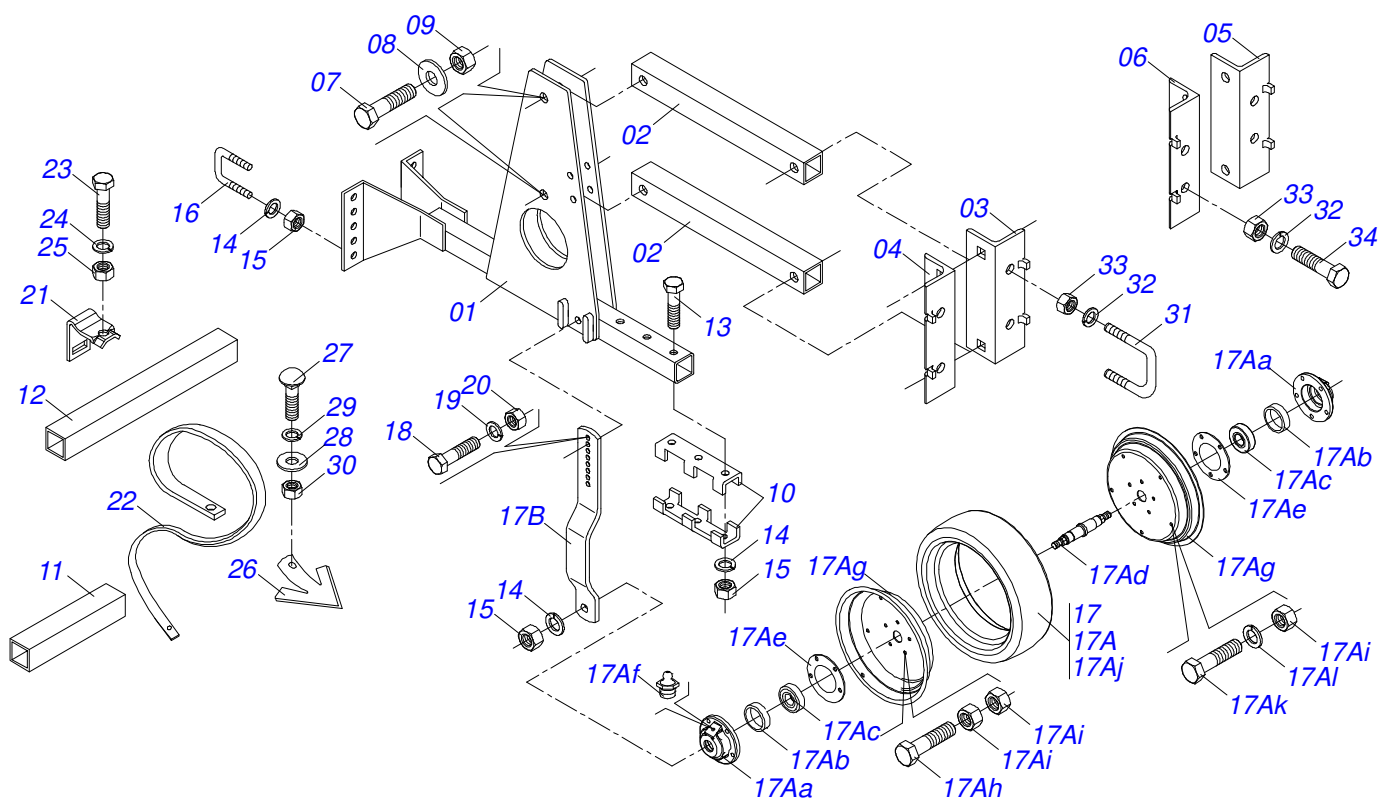
Item	Code	Description	See page	2LT	3LT	3CT	3IN	5IN/CT
00	0501055051	MODULES WITH 2 SPINDLER S SIDE ASSY		01	00	00	00	00
00A	0501055074	MODULES WITH 3 SPINDLER S SIDE ASSY		00	01	00	00	00
00B	0501055072	MODULES 3 SPINDLER S CENTER ASSY		00	00	01	00	00
00C	0501052134	MODULES WITH 3 SPINDLER S INT ASSY		00	00	00	01	00
00D	0501051497	MODULES WITH 2 SPINDLER S INT ASSY		00	00	00	00	01
00E	0501055078	MODULES 5 SPINDLER S CENTER ASSY		00	00	00	00	01
01	0501068350	MODULATE BODY		01	01	01	01	01
02	0501068351	PARALELOGRAMA TUBE		02	02	02	02	02
03	0511018739	SIDE BODY FIXER SISTEM SHANKS		01	01	00	01	01
04	0521010029	CENTER BODY FIXER SISTEM SHANKS		00	01	00	01	01
05	0511017294	SIDE BODY FIXER SISTEM SHANKS		01	01	00	01	01
06	0521010030	CENTER BODY FIXER SISTEM SHANKS		00	01	00	01	00
07	0501010162	3/4" X 4" BOLT		04	04	04	04	04
08	0501010322	FLAT WASHER		04	04	04	04	04
09	0503011075	3/4" UNC NUT		04	04	04	04	04
10	0511018881	TUBE FIXING BASE		02	02	02	02	04
11	0511018750	2" X 0.2" X 9.8" SQUARE TUBE		02	03	03	03	05
12	0511018751	2" X 0.2" X 18" TUBE SQUARE		00	01	00	01	00
13	0511018746	1/2" UNC X 2,9" X 2,5" HOLDER		02	02	02	02	02
14	0503011411	1/2" X 5-1/2" BOLT		03	03	03	03	06
15	0503010019	1/2" SPRING WASHER		07	11	11	11	12
16	0503010060	1/2 UNC G.5 ZN HEX NUT		07	11	11	11	12
17	0501047650	IRON DEPTH WHEEL ASSY		01	01	01	01	01
17A	0501051525	IRON DEPTH WHEEL		01	01	01	01	01
17Aa	0502020140	HUB		02	02	02	02	02
17Ab	0503010272	SEAL 00715-BA		02	02	02	02	02
17Ac	0503010690	6204 BALL BEARING		02	02	02	02	02
17Ad	0501015883	COMPACT WHEEL AXLE		01	01	01	01	01
17Ae	0503030143	3.3" X 1.9" X 0.1" JOINT		02	02	02	02	02
17Af	0503010691	1/4" GREASE FITTING		02	02	02	02	02
17Ag	0501068793	IRON DEPTH WHEEL BODY		01	01	01	01	01



## MODULES "S" (IRON WHEEL)

0909090470

Item	Code	Description	See page	2LT	3LT	3CT	3IN	5IN/CT
17Ah	0503010743	1/4" X 1-1/4" BOLT		05	05	05	05	05
17Ai	0503010144	1/4" NUT		10	10	10	10	10
17B	0501019265	DEPTH WHEEL ARM		02	02	02	02	02
18	0503010481	BOLT		01	01	01	01	01
19	0503010025	3/8 SPRING WASHER		03	03	03	03	06
20	0503010026	3/8" NUT		03	03	03	03	06
21	0511016009	VIBRATE-CULTIVATOR SHANKS		02	03	03	03	05
22	0521010049	FLEXIBLE FIXER SHANKS		02	03	03	03	05
23	0503010752	1/2" X 3.1/2" BOLT		02	03	03	03	05
24	0621230001	7" X 0,2" "T" SWEEP		02	03	03	03	05
25	0503012016	3/8" X 1-1/2" BOLT		02	03	03	03	05
26	0501010984	10,50 X 27 X 3,00 FLAT WASHER		02	03	03	03	05
27	0521010660	3/4" X 5.9" X 5.1" FASTENER		02	02	00	02	02
28	0503010023	3/4" SPRING WASHER		04	04	08	04	08
29	0503010014	3/4" HEX NUT		04	04	08	04	08
30	0501010098	3/4" UNC BOLT		00	04	00	04	00



Item	Code	Description	See page	2LT	3IN	3CT	3LT	5CT/EN
00	0501055096	MODULES WITH 2 SPINDLER C SIDE ASSY	01	00	00	00	00	00
00A	0501055100	MODULES WITH 3 SPINDLER C INT ASSY	00	01	00	00	00	00
00B	0501055098	MODULES 3 SPINDLER C CENTER ASSY	00	00	01	00	00	00
00C	0501055105	MODULES WITH 3 SPINDLER C SIDE ASSY	00	00	00	01	00	00
00D	0501055102	MODULES 5 SPINDLER C INTERM ASSY	00	00	00	00	00	01
00E	0501055103	MODULES 5 SPINDLER C CENTER ASSY	00	00	00	00	00	01
01	0501068350	MODULATE BODY	01	01	01	01	01	01
02	0501068351	PARALELOGRAMA TUBE	02	02	02	02	02	02
03	0511018739	SIDE BODY FIXER SISTEM SHANKS	01	01	00	01	01	01
04	0511017294	SIDE BODY FIXER SISTEM SHANKS	01	01	00	01	01	01
05	0521010029	CENTER BODY FIXER SISTEM SHANKS	00	01	00	01	00	00
06	0521010030	CENTER BODY FIXER SISTEM SHANKS	00	01	00	01	00	00
07	0501010162	3/4" X 4" BOLT	04	04	04	04	04	04
08	0501010322	FLAT WASHER	04	04	04	04	04	04
09	0503011075	3/4" UNC NUT	04	04	04	04	04	04
10	0511018881	TUBE FIXING BASE	02	02	02	02	04	04
11	0511018750	2" X 0.2" X 9.8" SQUARE TUBE	01	01	01	01	01	01
12	0511018751	2" X 0.2" X 18" TUBE SQUARE	00	01	00	01	00	00
13	0503011411	1/2" X 5-1/2" BOLT	03	03	06	03	06	06
14	0503010019	1/2" SPRING WASHER	07	07	10	07	10	10
15	0503010060	1/2 UNC G.5 ZN HEX NUT	07	07	10	07	10	10
16	0511018746	1/2" UNC X 2,9" X 2,5" HOLDER	02	02	02	02	02	02
17	0501042029	RUBBER DEPTH WHEEL ASSY	01	01	01	01	01	01
17A	0501051501	RUBBER DEPTH WHEEL	01	01	01	01	01	01
17Aa	0502020140	HUB	02	02	02	02	02	02
17Ab	0503010272	SEAL 00715-BA	02	02	02	02	02	02
17Ac	0503010690	6204 BALL BEARING	02	02	02	02	02	02
17Ad	0501015883	COMPACT WHEEL AXLE	01	01	01	01	01	01
17Ae	0503030143	3.3" X 1.9" X 0.1" JOINT	02	02	02	02	02	02
17Af	0503010691	1/4" GREASE FITTING	02	02	02	02	02	02
17Ag	0501015919	PRESS WHEEL RIM	02	02	02	02	02	02

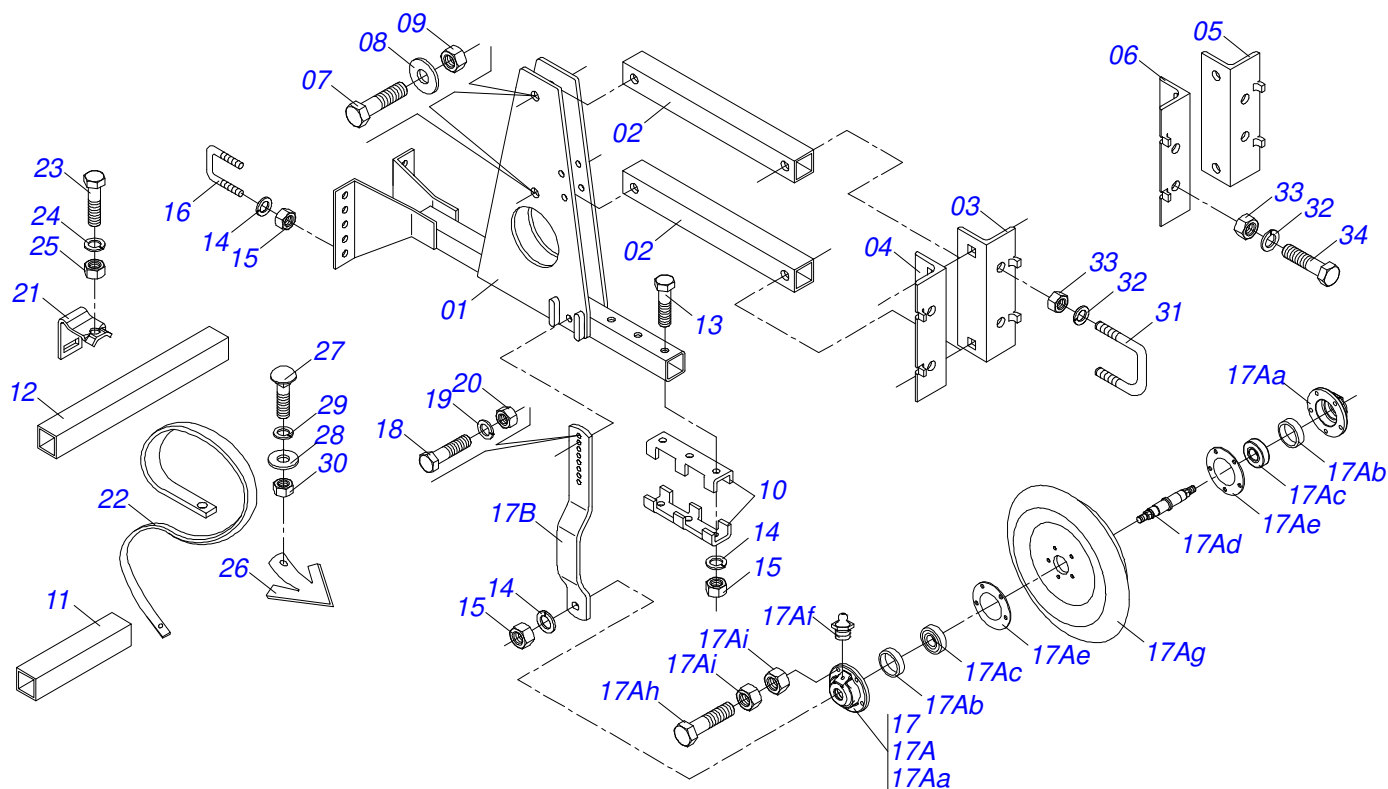




## MODULES "C" (RUBBER RUEDA)

0909090474

Item	Code	Description	See page	2LT	3IN	3CT	3LT	5CT/EN
17Ah	0503010743	1/4" X 1-1/4" BOLT		05	05	05	05	05
17Ai	0503010144	1/4" NUT		15	15	15	15	15
17Aj	0503030433	DEPTH CONTROL WHEEL RUBBER BAND		01	01	01	01	01
17Ak	0503010298	1/4" X 1/2" BOLT		05	05	05	05	05
17Al	0503010143	1/4" SPRING WASHER		05	05	05	05	05
17B	0501019265	DEPTH WHEEL ARM		02	02	02	02	02
18	0503010481	BOLT		01	01	01	01	01
19	0503010025	3/8 SPRING WASHER		01	01	01	01	01
20	0503010026	3/8" NUT		01	01	01	01	01
21	0511018749	SHANKS LOCK "C"		02	03	03	03	05
22	0501011974	TURNBUCLE		02	03	03	03	05
23	0503010762	SCREW 5/8 UNC X 3.1/2 CS G.5 ZN		02	03	03	03	05
24	0503010027	5/8 SPRING WASHER		02	03	03	03	05
25	0503010013	5/8 NUT		02	03	03	03	05
26	0621010001	6" X 0.2" CULTIVATOR HOES		02	03	03	03	05
27	0501011963	7/16" X 1-1/2" BOLT		04	06	06	06	10
28	0501012803	FLAT WASHER		04	06	06	06	10
29	0503010180	7/16" SPRING WASHER		04	06	06	06	10
30	0503010244	7/16" NUT		04	06	06	06	10
31	0521010660	3/4" X 5.9" X 5.1" FASTENER		02	02	00	02	02
32	0503010023	3/4" SPRING WASHER		04	04	08	04	08
33	0503010014	3/4" HEX NUT		04	04	08	04	08
34	0501010098	3/4" UNC BOLT		00	04	00	04	00



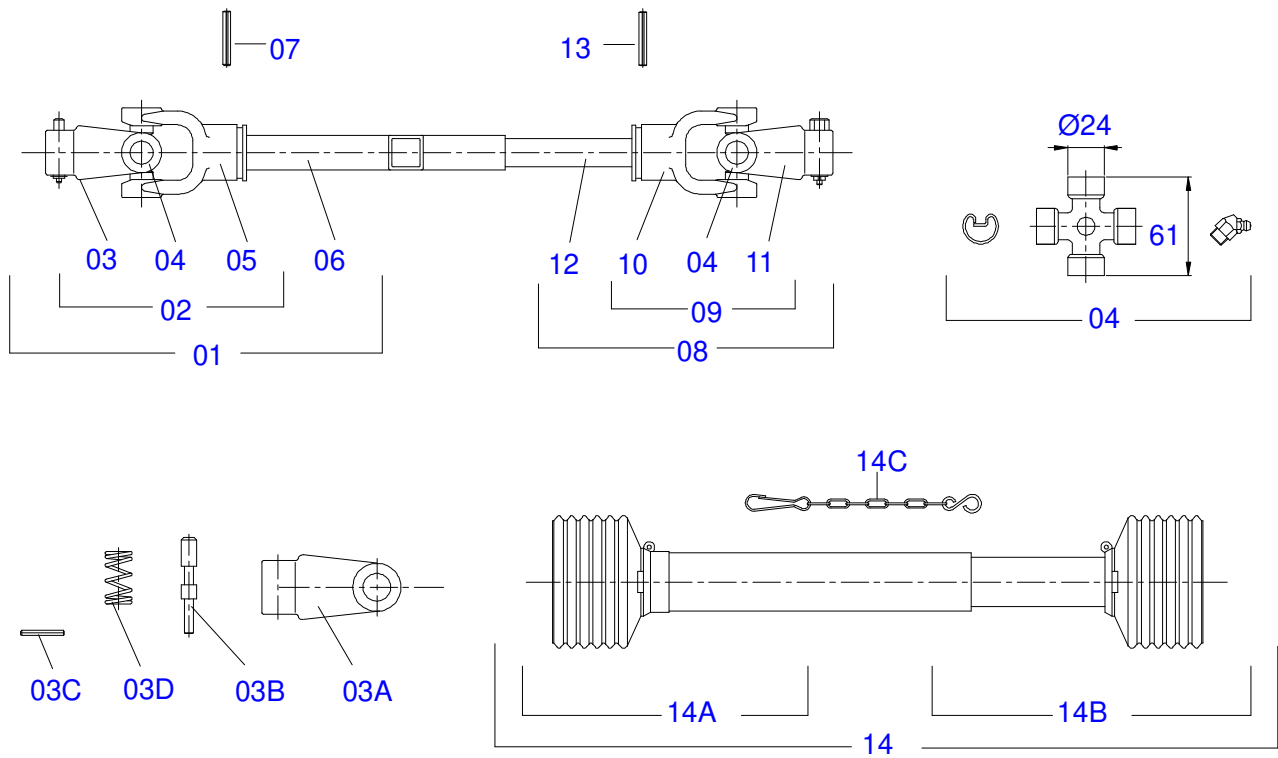
Item	Code	Description	See page	2LT	3IN	3CT	3LT	5IN/CT
00	0501055097	MODULES WITH 2 SPINDLER C SIDE ASSY		01	00	00	00	00
00A	0501055101	MODULES 3 SPINDLER C INTERM ASSY		00	01	00	00	00
00B	0501055100	MODULES WITH 3 SPINDLER C INT ASSY		00	00	01	00	00
00C	0501055106	MODULES WITH 3 SPINDLER C SIDE ASSY		00	00	00	01	00
00D	0501051513	MODULES 5 SPINDLER C INTERM ASSY		00	00	00	00	01
00E	0501055104	MODULES 5 SPINDLER C CENTER ASSY		00	00	00	00	01
01	0501068350	MODULATE BODY		01	01	01	01	01
02	0501068351	PARALELOGRAMA TUBE		02	02	02	02	02
03	0511018739	SIDE BODY FIXER SISTEM SHANKS		01	01	01	01	01
04	0511017294	SIDE BODY FIXER SISTEM SHANKS		01	01	01	01	01
05	0521010029	CENTER BODY FIXER SISTEM SHANKS		00	01	00	01	00
06	0521010030	CENTER BODY FIXER SISTEM SHANKS		00	01	00	01	00
07	0501010162	3/4" X 4" BOLT		04	04	04	04	04
08	0501010322	FLAT WASHER		04	04	04	04	04
09	0503011075	3/4" UNC NUT		04	04	04	04	04
10	0511018881	TUBE FIXING BASE		02	02	02	02	02
11	0511018750	2" X 0.2" X 9.8" SQUARE TUBE		02	02	02	02	02
12	0511018751	2" X 0.2" X 18" TUBE SQUARE		00	00	01	01	00
13	0503011411	1/2" X 5-1/2" BOLT		03	03	03	06	06
14	0503010019	1/2" SPRING WASHER		07	07	07	10	10
15	0503010060	1/2 UNC G.5 ZN HEX NUT		07	07	07	10	10
16	0511018746	1/2" UNC X 2,9" X 2,5" HOLDER		02	02	02	02	02
17	0501047650	IRON DEPTH WHEEL ASSY		01	01	01	01	01
17A	0501051525	IRON DEPTH WHEEL		01	01	01	01	01
17Aa	0502020140	HUB		02	02	02	02	02
17Ab	0503010272	SEAL 00715-BA		02	02	02	02	02
17Ac	0503010690	6204 BALL BEARING		02	02	02	02	02
17Ad	0501015883	COMPACT WHEEL AXLE		01	01	01	01	01
17Ae	0503030143	3.3" X 1.9" X 0.1" JOINT		02	02	02	02	02
17Af	0503010691	1/4" GREASE FITTING		02	02	02	02	02
17Ag	0501068793	IRON DEPTH WHEEL BODY		01	01	01	01	01



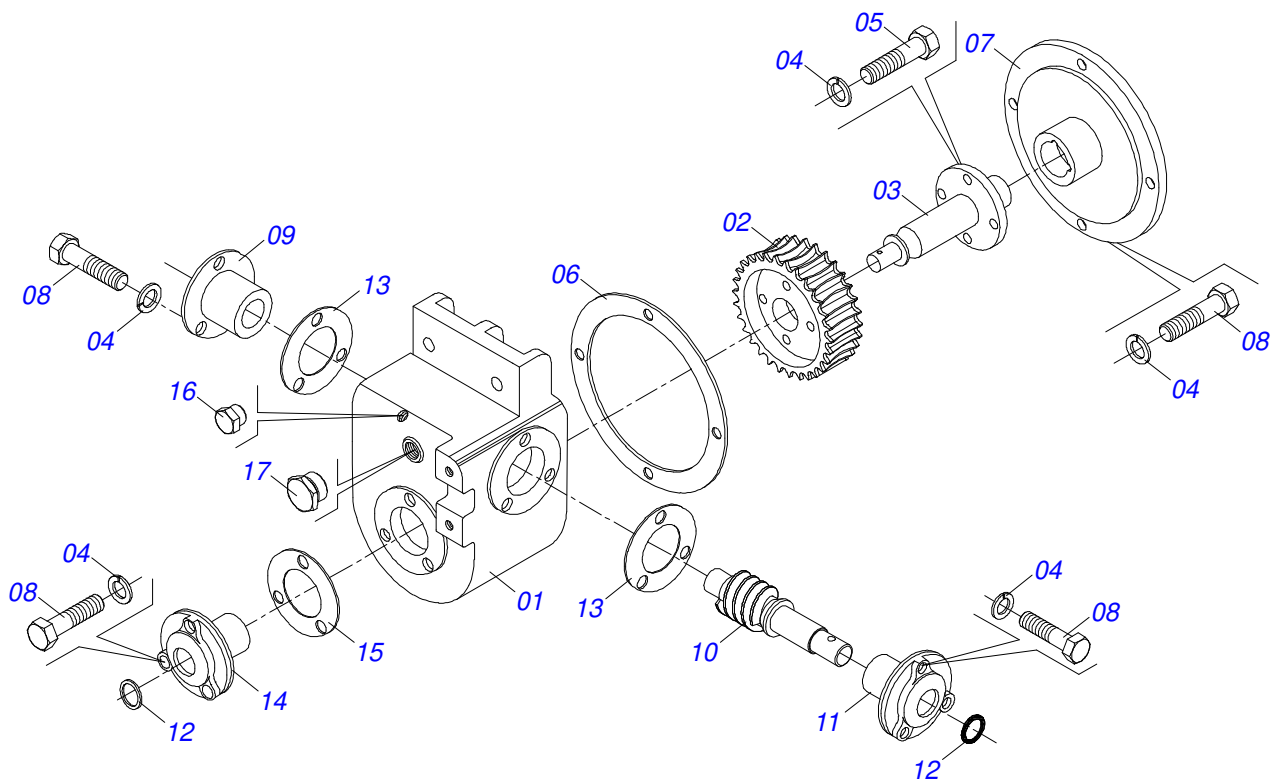
## MODULES "C" (IRON WHEEL)

0909090475

Item	Code	Description	See page	2LT	3IN	3CT	3LT	5IN/CT
17Ah	0503010743	1/4" X 1-1/4" BOLT		05	05	05	05	05
17Ai	0503010144	1/4" NUT		10	10	10	10	10
17B	0501019265	DEPTH WHEEL ARM		02	02	02	02	02
18	0503010481	BOLT		01	01	01	01	01
19	0503010025	3/8 SPRING WASHER		01	01	01	01	01
20	0503010026	3/8" NUT		01	01	01	01	01
21	0511018749	SHANKS LOCK "C"		02	03	03	03	05
22	0501011974	TURNBUCLE		02	03	03	03	05
23	0503010762	SCREW 5/8 UNC X 3.1/2 CS G.5 ZN		02	03	03	03	05
24	0503010027	5/8 SPRING WASHER		02	03	03	03	05
25	0503010013	5/8 NUT		02	03	03	03	05
26	0621010001	6" X 0.2" CULTIVATOR HOES		02	03	03	03	05
27	0501011963	7/16" X 1-1/2" BOLT		04	06	06	06	10
28	0501012803	FLAT WASHER		04	06	06	06	10
29	0503010180	7/16" SPRING WASHER		04	06	06	06	10
30	0503010244	7/16" NUT		04	06	06	06	10
31	0521010660	3/4" X 5.9" X 5.1" FASTENER		02	02	00	02	02
32	0503010023	3/4" SPRING WASHER		04	04	08	04	08
33	0503010014	3/4" HEX NUT		04	04	08	04	08
34	0501010098	3/4" UNC BOLT		00	04	00	04	00



Item	Code	Description	See page	QT
01	0501050255	SLEEVE UNIVERSAL JOINT		01
02	0501050263	UNIVERSAL JOINT		01
03	0501050332	1-20 TERMINAL		01
03A	0502010561	1-20 TERMINAL		01
03B	0521010637	0.5" X 3" COUPLING SHAFT		01
03C	0503010838	0.1" X 0.8" SPRING PIN		01
03D	0503030518	0.5"X1.0"X 0.1" COMPRESSION SPRING		01
04	0503010835	CARDAN CROSSPIECE		02
05	0502010559	2-20 TERMINAL		01
06	0511018902	0.9" X 20" SQUARE SLEEVE		01
07	0503010839	03"X 0.6" SPRING PIN		01
08	0501050257	UNIVERSAL JOINT WITH AXLE		01
09	0501050264	UNIVERSAL JOINT		01
10	0502010562	3-20 TERMINAL		01
11	0502010558	4-20 TERMINAL WITH ROLES		01
12	0511010237	0.9" X 18" SQUARE SHAFT		01
13	0503010301	0.3" X 1.8" SPRING PIN		01
14	0503012089	PROTECTION ASSY		01
14A	0503012090	PROTECTION FOR UNIV JOINT AND SLEEVE		01
14B	0503012091	PROTECTION FOR UNIV JOINT AND AXLE		01
14C	0503012023	CHAIN FOR PROTECTION		01



Item	Code	Description	See page	QT
01	0502020105	REDUCTION BOX	01	
02	0502011557	23Z GEAR	01	
03	0502012008	1.4" FLANGE AXLE	01	
04	0503010025	3/8" SPRING WASHER	17	
05	0503010237	3/8" X 1" BOLT	04	
06	0503030063	7,1" X 5,6" X 0,01" JOINT	02	
07	0502020103	GEAR LARGER COVER	01	
08	0503010751	C3/8" X 1.1/4" HEX BOLT G.5	13	
09	0502020100	COVERS WT HOLE BLIND ENDLESS THREAD	01	
10	0521012280	SCREW THEAD	01	
11	0502020099	COVERS HOLE PASSER ENDLESS THREAD	01	
12	0503010077	SEAL 00284-BR	02	
13	0503030062	3.9" X 2.5" X 0,01" JOINT	04	
14	0502020101	GEAR SMALLER COVER	01	
15	0503030061	3,5" X 1,9" X 0,01" JOINT	02	
16	0511017907	1/8" BSPT X 6 PLUG	01	
17	0503010856	OIL PLUG	01	





**MARCHESAN**

**Technical Publications | Elaboration and Revision**

ALESSANDRA PATRICIA KAWAHARA CARRILI

[www.marchesan.com.br](http://www.marchesan.com.br)

