

CULTIVATORS

CHF

Code: 0501091243
Series: S-0897
Revision: 00
Date Revision: OUTUBRO/2003

PARTS CATALOGUE



MARCHESAN



PRODUCTS

Code	Description	
0109020445	CHF/C 7 X 3 3000 C/RB	S-0897
0109020446	CHF/C 7 X 3 3000 C/RF	S-0897
0109020447	CHF/C 10 X 4 3000 C/RB	S-0897
0109020448	CHF/C 10 X 4 3000 C/RF	S-0897
0109020449	CHF/C 11 X 3 3000 C/RB	S-0897
0109020450	CHF/C 11 X 3 3000 C/RF	S-0897
0109020451	CHF/C 13 X 5 3000 C/RB	S-0897
0109020452	CHF/C 13 X 5 3000 C/RF	S-0897
0109020453	CHF/C 13 X 5 4200 C/RB	S-0897
0109020454	CHF/C 13 X 5 4200 C/RF	S-0897
0109020455	CHF/C 15 X 3 3000 C/RB	S-0897
0109020456	CHF/C 15 X 3 3000 C/RF	S-0897
0109020457	CHF/C 15 X 5 3000 C/RB	S-0897
0109020458	CHF/C 15 X 5 3000 C/RF	S-0897
0109020459	CHF/C 16 X 4 3000 C/RB	S-0897
0109020460	CHF/C 16 X 4 3000 C/RF	S-0897
0109020461	CHF/C 16 X 6 3000 C/RB	S-0897
0109020462	CHF/C 16 X 6 3000 C/RF	S-0897
0109020463	CHF/C 16 X 6 4600 C/RB	S-0897
0109020464	CHF/C 16 X 6 4600 C/RF	S-0897
0109020465	CHF/C 18 X 6 3000 C/RB	S-0897
0109020466	CHF/C 18 X 6 3000 C/RF	S-0897
0109020467	CHF/C 19 X 7 4200 C/RB	S-0897
0109020468	CHF/C 19 X 7 4200 C/RF	S-0897
0109020469	CHF/C 19 X 7 5500 C/RB	S-0897
0109020470	CHF/C 19 X 7 5500 C/RF	S-0897
0109020471	CHF/C 20 X 4 3000 C/RB	S-0897
0109020472	CHF/C 20 X 4 3000 C/RF	S-0897
0109020473	CHF/C 21 X 5 4200 C/RB	S-0897
0109020474	CHF/C 21 X 5 4200 C/RF	S-0897

ATTENTION: IMPORTANT

Marchesan S.A. reserves the right to improve and/or modify the technical features of its products, without obligation to do the same with those products already sold and without prior knowledge of the dealer or the customer. The photos are only illustrative.



PRODUCTS

0109021111	CHF/C 21 X 5 4400 AFRICA	S1298
0109020475	CHF/C 21 X 5 5500 C/RB	S-0897
0109020476	CHF/C 21 X 5 5500 C/RF	S-0897
0109020477	CHF/C 21 X 7 4200 C/RB	S-0897
0109020478	CHF/C 21 X 7 4200 C/RF	S-0897
0109020479	CHF/C 22 X 8 4200 C/RB	S-0897
0109020480	CHF/C 22 X 8 4200 C/RF	S-0897
0109020481	CHF/C 24 X 8 4200 C/RB	S-0897
0109020482	CHF/C 24 X 8 4200 C/RF	S-0897
0109020483	CHF/C 25 X 5 4200 C/RB	S-0897
0109020484	CHF/C 25 X 5 4200 C/RF	S-0897
0109020485	CHF/C 25 X 9 4200 C/RB	S-0897
0109020486	CHF/C 25 X 9 4200 C/RF	S-0897
0109020487	CHF/C 26 X 6 4600 C/RB	S-0897
0109020488	CHF/C 26 X 6 4600 C/RF	S-0897
0109021113	CHF/C 26 X 6 5500 AFRICA	S1298
0109021114	CHF/C 26 X 6 7360 AFRICA	S1298
0109020489	CHF/C 27 X 9 4200 C/RB	S-0897
0109020490	CHF/C 27 X 9 4200 C/RF	S-0897
0109020491	CHF/C 28 X 10 4600 C/RB	S-0897
0109020492	CHF/C 28 X 10 4600 C/RF	S-0897
0109020495	CHF/C 31 X 11 5500 C/RB	S-0897
0109020496	CHF/C 31 X 11 5500 C/RF	S-0897
0109021112	CHF/C 31 X 7 5500 AFRICA	S1298
0109020493	CHF/C 31 X 7 5500 C/RB	S-0897
0109020494	CHF/C 31 X 7 5500 C/RF	S-0897
0109021149	CHF/C 9 X 3 X 3000 C/RB	S-0897

ATTENTION: IMPORTANT

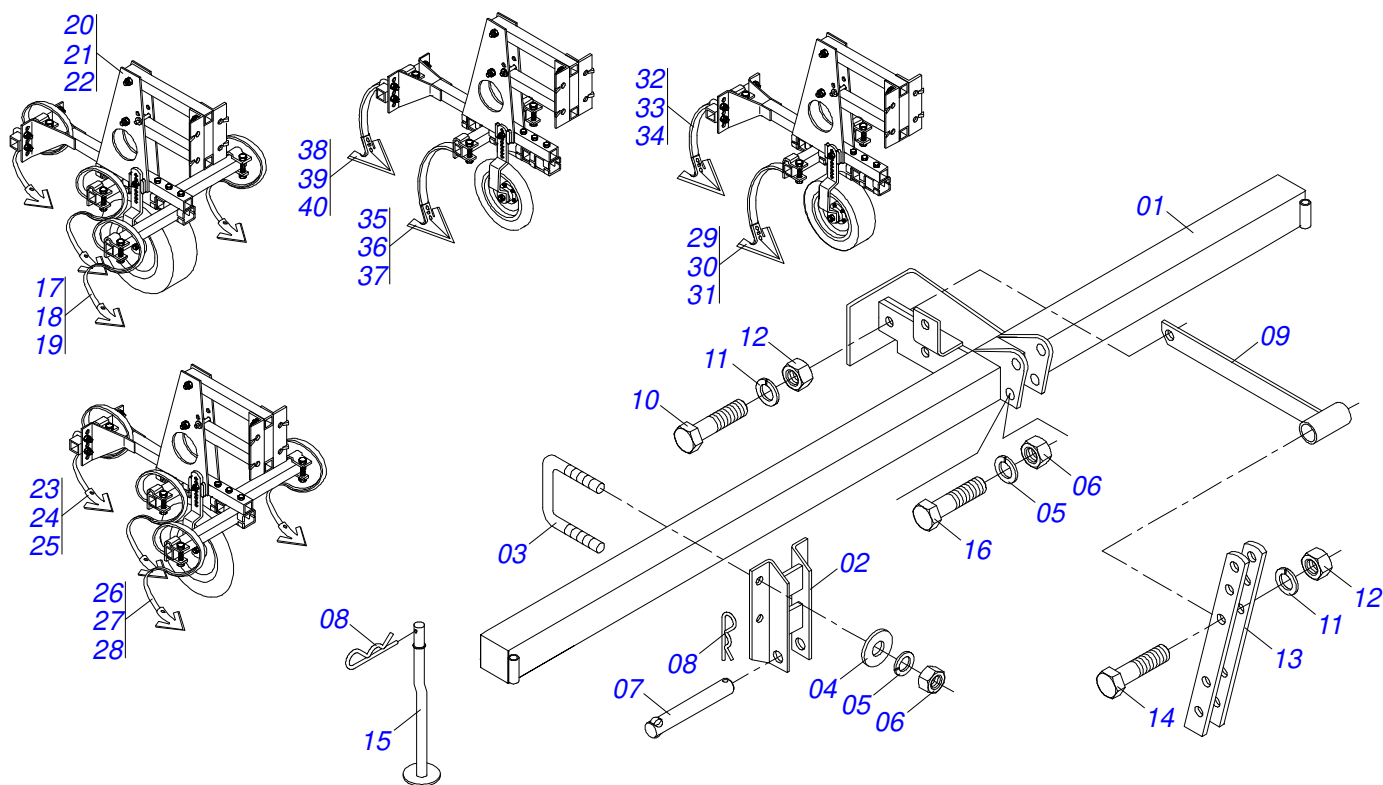
Marchesan S.A. reserves the right to improve and/or modify the technical features of its products, without obligation to do the same with those products already sold and without prior knowledge of the dealer or the customer. The photos are only illustrative.



MARCHESAN

INDEX

0909090424	FLOATING TINE ROW CROP CULTIVATOR	1
0909090425	FLOATING TINE ROW CROP CULTIVATOR	2
0909090471	FLOATING TINE ROW CROP CULTIVATOR	3
0909090427	FLOATING TINE ROW CROP CULTIVATOR	4
0909090428	FLOATING TINE ROW CROP CULTIVATOR	5
0909090469	MODULES "S" (RUBBER WHEEL)	6
0909090470	MODULES "S" (IRON WHEEL)	7
0909090474	MODULES "C" (RUBBER RUEDA)	8
0909090475	MODULES "C" (IRON WHEEL)	9
0501042390	DRIVE SHAFT	10
0511040626	REDUCTION	11



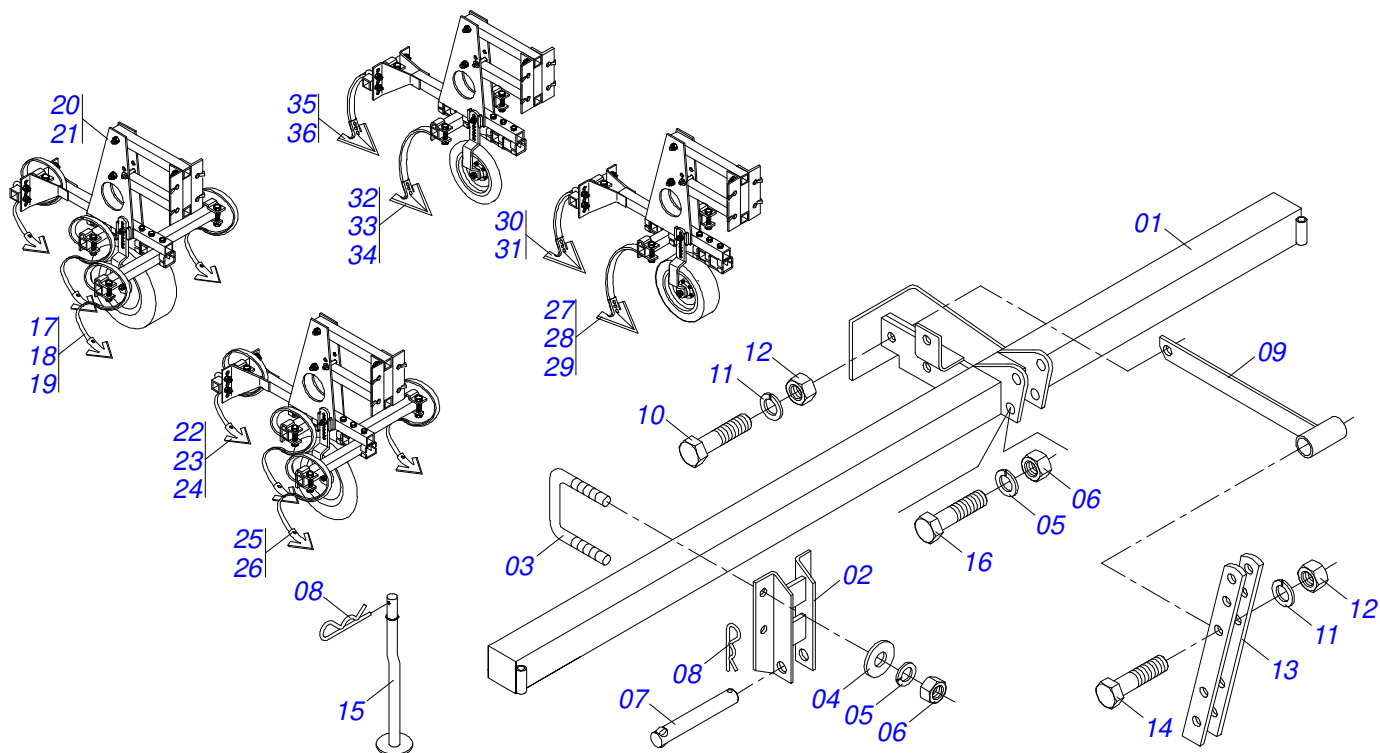
Item	Code	Description	See page	7/3	10/4	11/3	13/5	16/4
01	0501064734	118" FRAME		01	01	01	01	01
02	0501064730	CHF HITCH		02	02	02	02	02
03	0521010660	3/4" X 5.9" X 5.1" FASTENER		18	24	26	30	36
04	0501012803	FLAT WASHER		36	48	52	60	72
05	0503010023	3/4" SPRING WASHER		36	48	52	60	72
06	0503010014	3/4" HEX NUT		36	48	52	60	72
07	0521010553	0.5" X 3" COUPLING SHAFT		03	03	03	03	03
08	0503031035	HITCH PIN CLIP		05	05	05	05	05
09	0501064601	ATTACHMENT BAR		02	02	02	02	02
10	0503010233	5/8" X 2-1/2" BOLT		01	01	01	01	01
11	0503010027	5/8 SPRING WASHER		05	05	05	05	05
12	0503010013	5/8 NUT		05	05	05	05	05
13	0501019055	CAB SEMI		02	02	02	02	02
14	0501010216	3/4 UNC X 4.1/2 C S G.5 ZN BOLT		01	01	01	01	01
15	0501060121	PLOUGH SUPPORT 860 AR		02	02	02	02	02
16	0503010232	5/8" X 1.3/4" BOLT		04	04	04	04	04
17	0501055050	MODULES WITH 2 SPINDLER S SIDE ASSY		02	02	00	02	00
18	0501055071	MODULES WITH 3 SPINDLER S CENT ASSY		01	00	00	00	00
19	0501055073	MODULES WITH 3 SPINDLER S INT ASSY		00	02	00	02	00
20	0501055075	MODULES WITH 2 SPINDLER S SIDE ASSY		00	00	02	00	00
21	0501055076	MODULES WITH 5 SPINDLER S INTE ASSY		00	00	00	00	02
22	0501055077	MODULES 5 SPINDLER S CENTER ASSY		00	00	01	00	01
23	0501055051	MODULES WITH 2 SPINDLER S SIDE ASSY		02	02	00	02	00
24	0501055072	MODULES 3 SPINDLER S CENTER ASSY		01	00	00	01	00
25	0501052134	MODULES WITH 3 SPINDLER S INT ASSY		00	02	00	02	00
26	0501055074	MODULES WITH 3 SPINDLER S SIDE ASSY		00	00	02	00	00
27	0501055078	MODULES 5 SPINDLER S CENTER ASSY		00	00	01	00	01
28	0501051497	MODULES WITH 2 SPINDLER S INT ASSY		00	00	00	02	00
29	0501055098	MODULES 3 SPINDLER C CENTER ASSY		01	00	00	01	00
30	0501055096	MODULES WITH 2 SPINDLER C SIDE ASSY		02	02	00	02	00
31	0501055100	MODULES WITH 3 SPINDLER C INT ASSY		00	02	00	02	00



FLOATING TINE ROW CROP CULTIVATOR

0909090424

Item	Code	Description	See page	7/3	10/4	11/3	13/5	16/4
32	0501055103	MODULES 5 SPINDLER C CENTER ASSY		00	00	01	00	01
33	0501055105	MODULES WITH 3 SPINDLER C SIDE ASSY		00	00	02	00	00
34	0501055102	MODULES 5 SPINDLER C INTERM ASSY		00	00	00	02	00
35	0501055099	MODULES 3 SPINDLER C CENTER ASSY		01	00	00	01	00
36	0501055097	MODULES WITH 2 SPINDLER C SIDE ASSY		02	02	00	02	00
37	0501055101	MODULES 3 SPINDLER C INTERM ASSY		00	02	00	02	00
38	0501055104	MODULES 5 SPINDLER C CENTER ASSY		00	01	00	01	00
39	0501055106	MODULES WITH 3 SPINDLER C SIDE ASSY		00	00	02	00	00
40	0501051513	MODULES 5 SPINDLER C INTERM ASSY		00	00	00	02	00



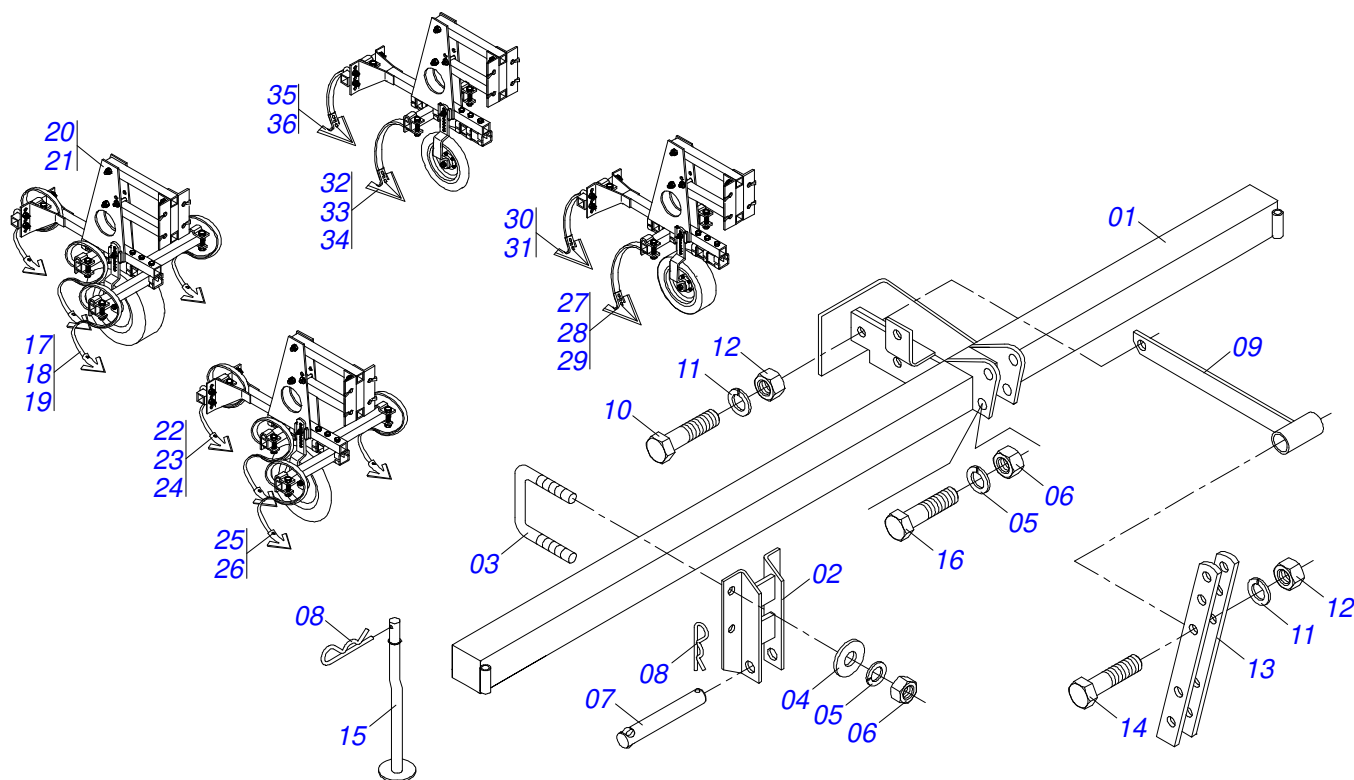
Item	Code	Description	See page	15/3	15/5	16/6	18/6	20/4
01	0501064734	118" FRAME		01	01	01	01	01
02	0501064730	CHF HITCH		02	02	02	02	02
03	0521010660	3/4" X 5.9" X 5.1" FASTENER		12	10	14	14	10
04	0501012803	FLAT WASHER		24	20	28	28	20
05	0503010023	3/4" SPRING WASHER		24	20	28	28	20
06	0503010014	3/4" HEX NUT		24	20	28	28	20
07	0521010553	0.5" X 3" COUPLING SHAFT		03	03	03	03	03
08	0503031035	HITCH PIN CLIP		05	05	05	05	05
09	0501064601	ATTACHMENT BAR		01	01	01	01	01
10	0503010233	5/8" X 2-1/2" BOLT		01	01	01	01	01
11	0503010027	5/8 SPRING WASHER		05	05	05	05	05
12	0503010013	5/8 NUT		05	05	05	05	05
13	0501019055	CAB SEMI		02	02	02	02	02
14	0503010232	5/8" X 1.3/4" BOLT		04	04	04	04	04
15	0501060121	PLOUGH SUPPORT 860 AR		02	02	02	02	02
16	0501010216	3/4 UNC X 4.1/2 C S G.5 ZN BOLT		01	01	01	01	01
17	0501055071	MODULES WITH 3 SPINDLER S CENT ASSY		01	00	00	00	00
18	0501055073	MODULES WITH 3 SPINDLER S INT ASSY		04	00	04	06	00
19	0501055075	MODULES WITH 2 SPINDLER S SIDE ASSY		00	02	00	00	00
20	0501055076	MODULES WITH 5 SPINDLER S INTE ASSY		00	02	00	00	04
21	0501055050	MODULES WITH 2 SPINDLER S SIDE ASSY		00	00	02	00	00
22	0501055072	MODULES 3 SPINDLER S CENTER ASSY		01	00	00	00	00
23	0501052134	MODULES WITH 3 SPINDLER S INT ASSY		04	00	04	06	00
24	0501055074	MODULES WITH 3 SPINDLER S SIDE ASSY		00	02	00	00	00
25	0501051497	MODULES WITH 2 SPINDLER S INT ASSY		00	02	00	00	04
26	0501055051	MODULES WITH 2 SPINDLER S SIDE ASSY		00	00	02	00	00
27	0501055098	MODULES 3 SPINDLER C CENTER ASSY		01	00	00	00	00
28	0501055100	MODULES WITH 3 SPINDLER C INT ASSY		02	00	04	06	00
29	0501055105	MODULES WITH 3 SPINDLER C SIDE ASSY		02	00	00	00	00
30	0501055096	MODULES WITH 2 SPINDLER C SIDE ASSY		00	00	02	00	00
31	0501055102	MODULES 5 SPINDLER C INTERM ASSY		00	00	00	04	00



FLOATING TINE ROW CROP CULTIVATOR

0909090425

Item	Code	Description	See page	15/3	15/5	16/6	18/6	20/4
32	0501055099	MODULES 3 SPINDLER C CENTER ASSY		01	00	00	00	00
33	0501055101	MODULES 3 SPINDLER C INTERM ASSY		02	00	04	06	00
34	0501055106	MODULES WITH 3 SPINDLER C SIDE ASSY		02	00	00	00	00
35	0501055097	MODULES WITH 2 SPINDLER C SIDE ASSY		00	00	02	00	00
36	0501051513	MODULES 5 SPINDLER C INTERM ASSY		00	00	00	04	00



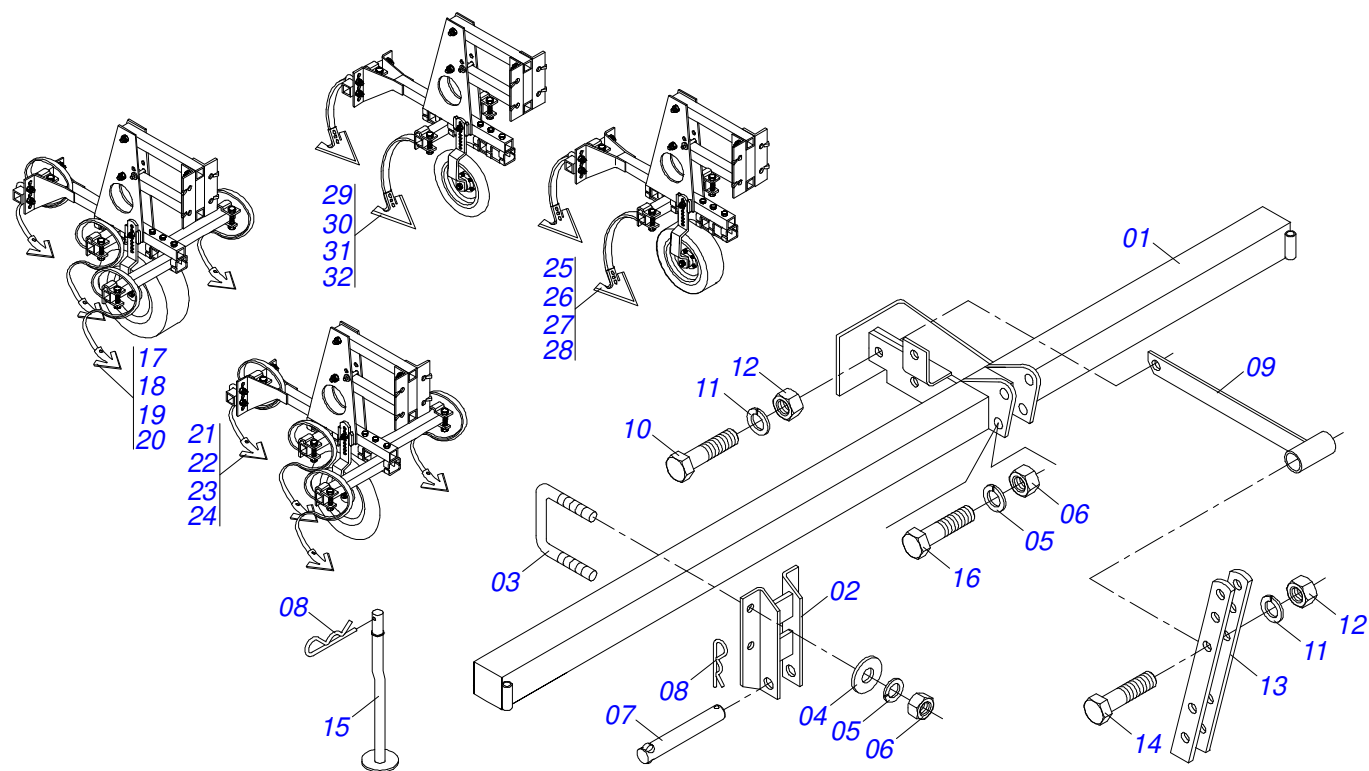
Item	Code	Description	See page	24/8	25/5	25/9	27/9
01	0501064733	165" FRAME		01	01	01	01
02	0501064730	CHF HITCH		02	02	02	02
03	0521010660	3/4" X 5.9" X 5.1" FASTENER		04	04	04	04
04	0501012803	FLAT WASHER		08	08	08	08
05	0503010023	3/4" SPRING WASHER		08	08	08	08
06	0503010014	3/4" HEX NUT		08	08	08	08
07	0521010553	0.5" X 3" COUPLING SHAFT		03	03	03	03
08	0503031035	HITCH PIN CLIP		05	05	05	05
09	0501064601	ATTACHMENT BAR		02	02	02	02
10	0503010233	5/8" X 2-1/2" BOLT		01	01	01	01
11	0503010027	5/8 SPRING WASHER		05	05	05	05
12	0503010013	5/8 NUT		05	05	05	05
13	0501019055	CAB SEMI		02	02	02	02
14	0503010232	5/8" X 1.3/4" BOLT		04	04	04	04
15	0501060121	PLOUGH SUPPORT 860 AR		02	02	02	02
16	0501010216	3/4 UNC X 4.1/2 C S G.5 ZN BOLT		01	01	01	01
17	0501055073	MODULES WITH 3 SPINDLER S INT ASSY		06	08	06	08
18	0501055050	MODULES WITH 2 SPINDLER S SIDE ASSY		02	00	02	00
19	0501055077	MODULES 5 SPINDLER S CENTER ASSY		00	00	01	00
20	0501055076	MODULES WITH 5 SPINDLER S INTE ASSY		00	00	04	00
21	0501055071	MODULES WITH 3 SPINDLER S CENT ASSY		00	00	01	01
22	0501052134	MODULES WITH 3 SPINDLER S INT ASSY		06	08	06	08
23	0501055051	MODULES WITH 2 SPINDLER S SIDE ASSY		02	00	02	00
24	0501055078	MODULES 5 SPINDLER S CENTER ASSY		00	00	01	00
25	0501051497	MODULES WITH 2 SPINDLER S INT ASSY		00	00	04	00
26	0501055072	MODULES 3 SPINDLER S CENTER ASSY		00	00	01	01
27	0501055100	MODULES WITH 3 SPINDLER C INT ASSY		06	08	06	08
28	0501055096	MODULES WITH 2 SPINDLER C SIDE ASSY		02	00	02	00
29	0501055103	MODULES 5 SPINDLER C CENTER ASSY		00	00	01	00
30	0501055102	MODULES 5 SPINDLER C INTERM ASSY		00	00	04	00
31	0501055098	MODULES 3 SPINDLER C CENTER ASSY		00	00	01	01



FLOATING TINE ROW CROP CULTIVATOR

0909090471

Item	Code	Description	See page	24/8	25/5	25/9	27/9
32	0501055101	MODULES 3 SPINDLER C INTERM ASSY		06	08	06	08
33	0501055097	MODULES WITH 2 SPINDLER C SIDE ASSY		02	00	02	00
34	0501055104	MODULES 5 SPINDLER C CENTER ASSY		00	00	01	00
35	0501051513	MODULES 5 SPINDLER C INTERM ASSY		00	00	05	00
36	0501055099	MODULES 3 SPINDLER C CENTER ASSY		00	00	01	01



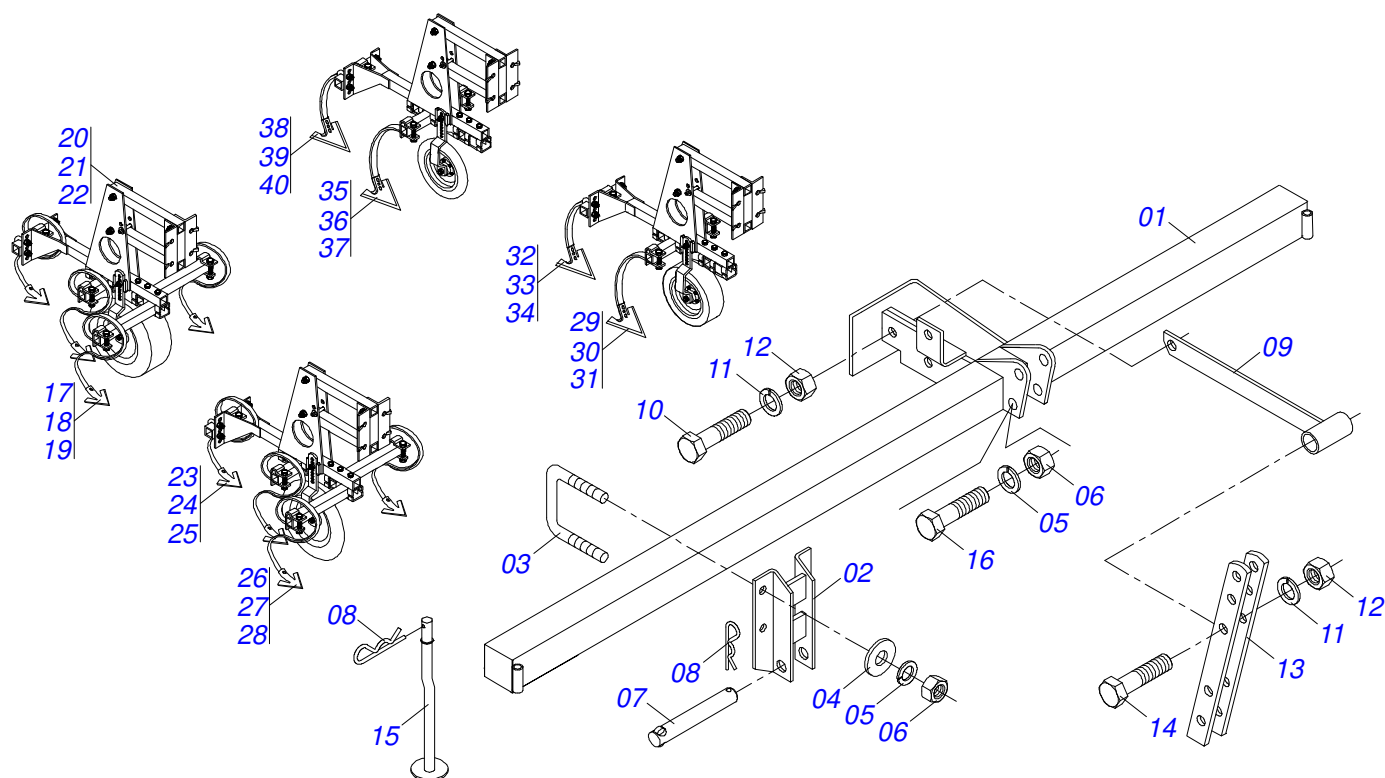
Item	Code	Description	See page	16/6	26/6	28/10
01	0501066766	181" FRAME		01	01	01
02	0501064730	CHF HITCH		02	02	02
03	0521010660	3/4" X 5.9" X 5.1" FASTENER		04	04	04
04	0501012803	FLAT WASHER		08	08	08
05	0503010023	3/4" SPRING WASHER		09	09	09
06	0503010023	3/4" SPRING WASHER		09	09	09
07	0521010553	0.5" X 3" COUPLING SHAFT		03	03	03
08	0503031035	HITCH PIN CLIP		05	05	05
09	0501064601	ATTACHMENT BAR		02	02	02
10	0503010233	5/8" X 2-1/2" BOLT		01	01	01
11	0503010027	5/8 SPRING WASHER		05	05	05
12	0503010013	5/8 NUT		05	05	05
13	0501019055	CAB SEMI		02	02	02
14	0503010232	5/8" X 1.3/4" BOLT		04	04	04
15	0501060121	PLOUGH SUPPORT 860 AR		02	02	02
16	0501010216	3/4 UNC X 4.1/2 C S G.5 ZN BOLT		01	01	01
17	0501055073	MODULES WITH 3 SPINDLER S INT ASSY		04	00	08
18	0501055050	MODULES WITH 2 SPINDLER S SIDE ASSY		02	00	02
19	0501055076	MODULES WITH 5 SPINDLER S INTE ASSY		00	04	00
20	0501055075	MODULES WITH 2 SPINDLER S SIDE ASSY		00	02	00
21	0501052134	MODULES WITH 3 SPINDLER S INT ASSY		04	00	08
22	0501055051	MODULES WITH 2 SPINDLER S SIDE ASSY		02	00	02
23	0501051497	MODULES WITH 2 SPINDLER S INT ASSY		00	04	00
24	0501055074	MODULES WITH 3 SPINDLER S SIDE ASSY		00	02	00
25	0501055100	MODULES WITH 3 SPINDLER C INT ASSY		04	00	08
26	0501055096	MODULES WITH 2 SPINDLER C SIDE ASSY		02	00	02
27	0501055102	MODULES 5 SPINDLER C INTERM ASSY		00	04	00
28	0501055105	MODULES WITH 3 SPINDLER C SIDE ASSY		00	02	00
29	0501055101	MODULES 3 SPINDLER C INTERM ASSY		04	00	08
30	0501055097	MODULES WITH 2 SPINDLER C SIDE ASSY		02	00	02
31	0501051513	MODULES 5 SPINDLER C INTERM ASSY		00	04	00



FLOATING TINE ROW CROP CULTIVATOR

0909090427

Item	Code	Description	See page	16/6	26/6	28/10
32	0501055106	MODULES WITH 3 SPINDLER C SIDE ASSY		00	02	00



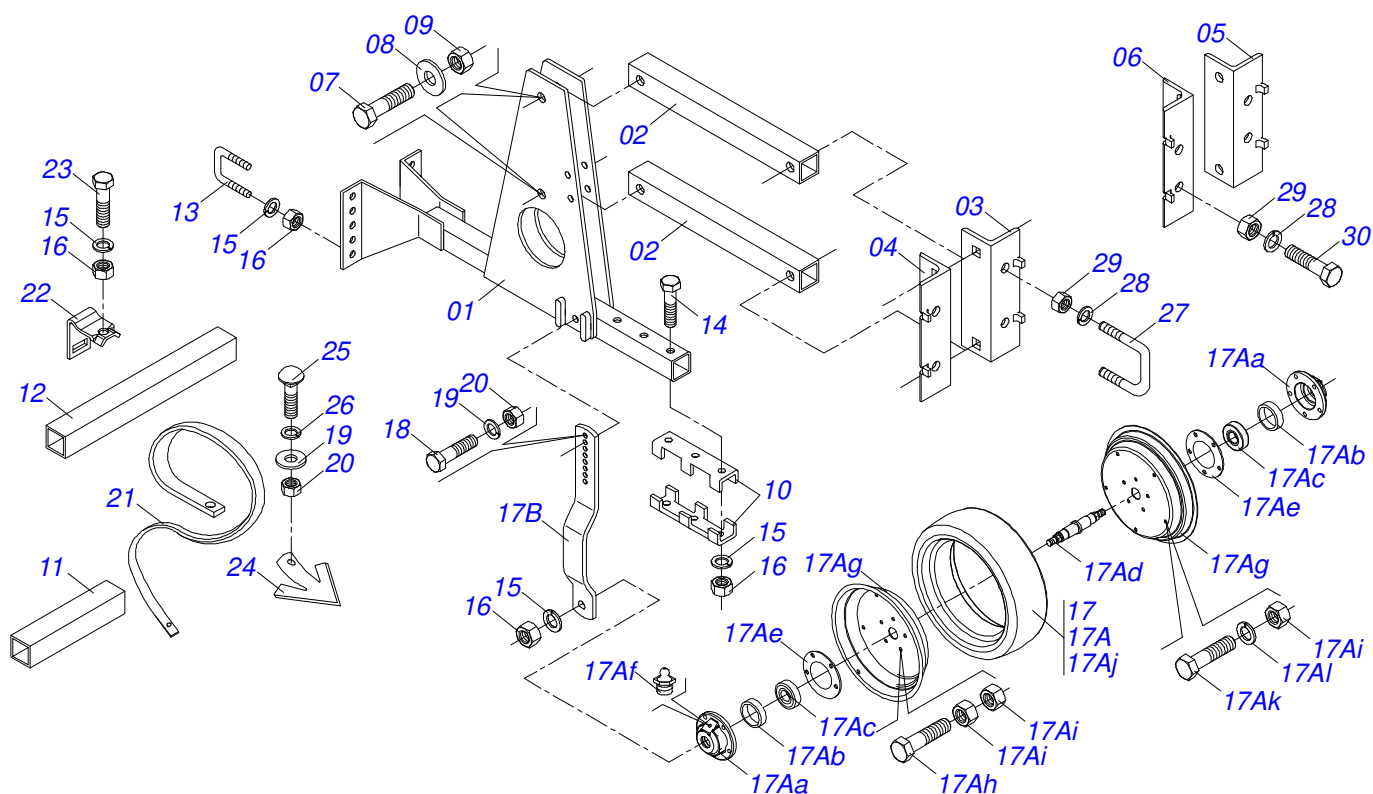
Item	Code	Description	See page	19/7	31/7	31/11
01	0501066767	216" FRAME		01	01	01
02	0501064730	CHF HITCH		02	02	02
03	0521010660	3/4" X 5.9" X 5.1" FASTENER		04	04	04
04	0501012803	FLAT WASHER		04	04	04
05	0503010023	3/4" SPRING WASHER		04	04	04
06	0503010014	3/4" HEX NUT		04	04	04
07	0521010553	0.5" X 3" COUPLING SHAFT		03	03	03
08	0503031035	HITCH PIN CLIP		05	05	05
09	0501064601	ATTACHMENT BAR		02	02	02
10	0503010233	5/8" X 2-1/2" BOLT		01	01	01
11	0503010027	5/8 SPRING WASHER		05	05	05
12	0503010013	5/8 NUT		05	05	05
13	0501019055	CAB SEMI		02	02	02
14	0503010232	5/8" X 1.3/4" BOLT		04	04	04
15	0501060121	PLOUGH SUPPORT 860 AR		02	02	02
16	0501010216	3/4 UNC X 4.1/2 C S G.5 ZN BOLT		01	01	01
17	0501055071	MODULES WITH 3 SPINDLER S CENT ASSY		01	00	01
18	0501055073	MODULES WITH 3 SPINDLER S INT ASSY		04	00	08
19	0501055050	MODULES WITH 2 SPINDLER S SIDE ASSY		02	00	02
20	0501055077	MODULES 5 SPINDLER S CENTER ASSY		00	01	00
21	0501055076	MODULES WITH 5 SPINDLER S INTE ASSY		00	04	00
22	0501055075	MODULES WITH 2 SPINDLER S SIDE ASSY		00	02	00
23	0501055072	MODULES 3 SPINDLER S CENTER ASSY		01	00	01
24	0501052134	MODULES WITH 3 SPINDLER S INT ASSY		04	00	08
25	0501055051	MODULES WITH 2 SPINDLER S SIDE ASSY		02	02	02
26	0501055078	MODULES 5 SPINDLER S CENTER ASSY		00	01	00
27	0501051497	MODULES WITH 2 SPINDLER S INT ASSY		00	04	00
28	0501055074	MODULES WITH 3 SPINDLER S SIDE ASSY		00	02	00
29	0501055098	MODULES 3 SPINDLER C CENTER ASSY		01	00	01
30	0501055100	MODULES WITH 3 SPINDLER C INT ASSY		04	00	08
31	0501055096	MODULES WITH 2 SPINDLER C SIDE ASSY		02	00	02



FLOATING TINE ROW CROP CULTIVATOR

0909090428

Item	Code	Description	See page	19/7	31/7	31/11
32	0501055103	MODULES 5 SPINDLER C CENTER ASSY		00	01	00
33	0501055102	MODULES 5 SPINDLER C INTERM ASSY		00	04	00
34	0501055105	MODULES WITH 3 SPINDLER C SIDE ASSY		00	02	00
35	0501055099	MODULES 3 SPINDLER C CENTER ASSY		01	00	01
36	0501055101	MODULES 3 SPINDLER C INTERM ASSY		04	00	08
37	0501055097	MODULES WITH 2 SPINDLER C SIDE ASSY		02	00	02
38	0501055104	MODULES 5 SPINDLER C CENTER ASSY		00	01	00
39	0501051513	MODULES 5 SPINDLER C INTERM ASSY		00	04	00
40	0501055106	MODULES WITH 3 SPINDLER C SIDE ASSY		00	02	00



Item	Code	Description	See page	2LT	3LT	3CT	3IN	5IN/CT
00	0501055050	MODULES WITH 2 SPINDLER S SIDE ASSY	01	00	00	00	00	00
00A	0501055075	MODULES WITH 2 SPINDLER S SIDE ASSY	00	01	00	00	00	00
00B	0501055071	MODULES WITH 3 SPINDLER S CENT ASSY	00	01	00	00	00	00
00C	0501055073	MODULES WITH 3 SPINDLER S INT ASSY	00	00	01	00	00	00
00D	0501055076	MODULES WITH 5 SPINDLER S INTE ASSY	00	00	00	01	00	00
00E	0501055077	MODULES 5 SPINDLER S CENTER ASSY	00	00	00	00	01	00
01	0501068350	MODULATE BODY	01	01	01	01	01	01
02	0501068351	PARALELOGRAMA TUBE	02	02	02	02	02	02
03	0511018739	SIDE BODY FIXER SISTEM SHANKS	01	01	00	01	01	01
04	0511017294	SIDE BODY FIXER SISTEM SHANKS	01	01	00	01	01	01
05	0521010029	CENTER BODY FIXER SISTEM SHANKS	01	01	00	01	01	01
06	0521010030	CENTER BODY FIXER SISTEM SHANKS	01	01	00	01	01	01
07	0501010162	3/4" X 4" BOLT	04	04	04	04	04	04
08	0501010322	FLAT WASHER	04	04	04	04	04	04
09	0503011075	3/4" UNC NUT	04	04	04	04	04	04
10	0511018881	TUBE FIXING BASE	02	02	02	02	02	02
11	0511018750	2" X 0.2" X 9.8" SQUARE TUBE	02	03	03	03	03	03
12	0511018751	2" X 0.2" X 18" TUBE SQUARE	00	01	00	02	00	00
13	0511018746	1/2" UNC X 2,9" X 2,5" HOLDER	02	02	02	02	02	02
14	0503011411	1/2" X 5-1/2" BOLT	03	06	03	03	06	06
15	0503010019	1/2" SPRING WASHER	07	11	11	11	12	12
16	0503010060	1/2 UNC G.5 ZN HEX NUT	07	11	11	11	12	12
17	0501042029	RUBBER DEPTH WHEEL ASSY	01	01	01	01	01	01
17A	0501051501	RUBBER DEPTH WHEEL	01	01	01	01	01	01
17Aa	0502020140	HUB	02	02	02	02	02	02
17Ab	0503010272	SEAL 00715-BA	02	02	02	02	02	02
17Ac	0503010690	6204 BALL BEARING	02	02	02	02	02	02
17Ad	0501015883	COMPACT WHEEL AXLE	01	01	01	01	01	01
17Ae	0503030143	3.3" X 1.9" X 0.1" JOINT	02	02	02	02	02	02
17Af	0503010691	1/4" GREASE FITTING	02	02	02	02	02	02
17Ag	0501015919	PRESS WHEEL RIM	02	02	02	02	02	02

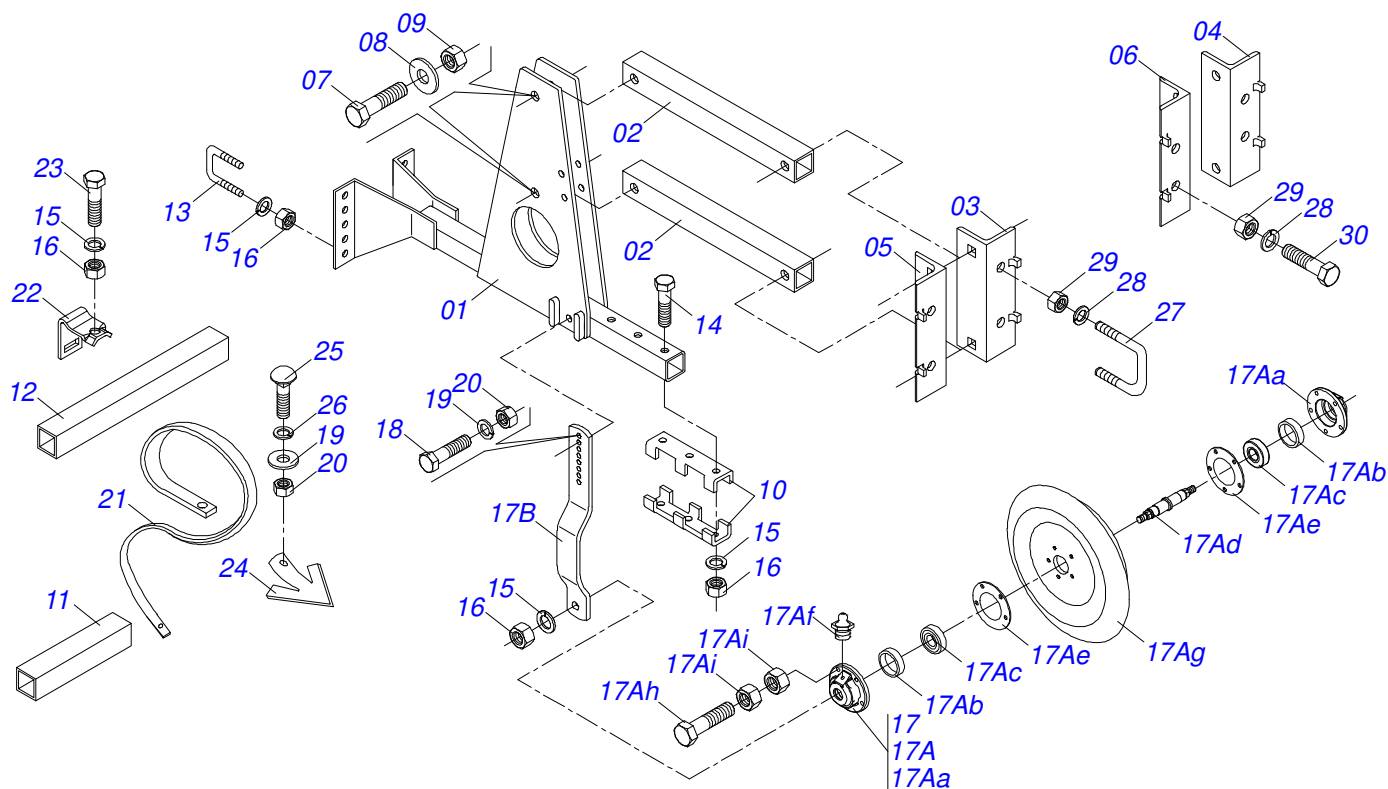


MODULES "S" (RUBBER WHEEL)

0909090469

Item	Code	Description	See page	2LT	3LT	3CT	3IN	5IN/CT
17Ah	0503010743	1/4" X 1-1/4" BOLT		05	05	05	05	05
17Ai	0503010144	1/4" NUT		15	15	15	15	15
17Aj	0503030433	DEPTH CONTROL WHEEL RUBBER BAND		01	01	01	01	01
17Ak	0503010298	1/4" X 1/2" BOLT		05	05	05	05	05
17Al	0503010143	1/4" SPRING WASHER		05	05	05	05	05
17B	0501019265	DEPTH WHEEL ARM		02	02	02	02	02
18	0503010481	BOLT		01	01	01	01	01
19	0503010025	3/8 SPRING WASHER		03	03	03	03	06
20	0503010026	3/8" NUT		03	03	03	03	06
21	0511016009	VIBRATE-CULTIVATOR SHANKS		02	03	03	03	05
22	0521010049	FLEXIBLE FIXER SHANKS		02	03	03	03	05
23	0503010752	1/2" X 3.1/2" BOLT		02	03	03	03	05
24	0621230001	7" X 0,2" "T" SWEEP		02	03	03	03	05
25	0503012016	3/8" X 1-1/2" BOLT		02	03	03	03	05
26	0501010984	10,50 X 27 X 3,00 FLAT WASHER		02	03	03	03	05
27	0521010660	3/4" X 5.9" X 5.1" FASTENER		02	02	00	02	02
28	0503010023	3/4" SPRING WASHER		04	04	08	04	08
29	0503010014	3/4" HEX NUT		04	04	08	04	08
30	0501010098	3/4" UNC BOLT		00	04	00	04	00

MODULES "S" (IRON WHEEL)



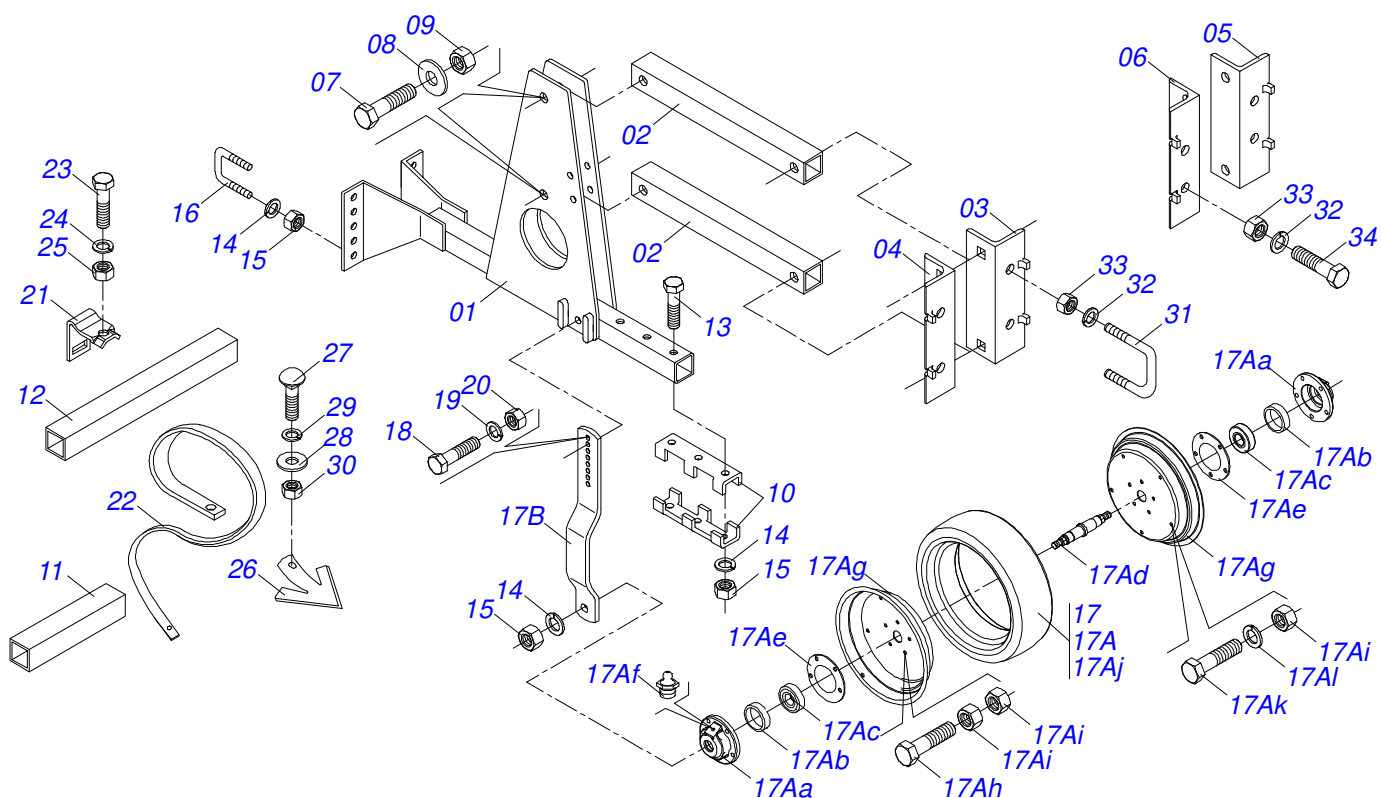
Item	Code	Description	See page	2LT	3LT	3CT	3IN	5IN/CT
00	0501055051	MODULES WITH 2 SPINDLER S SIDE ASSY		01	00	00	00	00
00A	0501055074	MODULES WITH 3 SPINDLER S SIDE ASSY		00	01	00	00	00
00B	0501055072	MODULES 3 SPINDLER S CENTER ASSY		00	00	01	00	00
00C	0501052134	MODULES WITH 3 SPINDLER S INT ASSY		00	00	00	01	00
00D	0501051497	MODULES WITH 2 SPINDLER S INT ASSY		00	00	00	00	01
00E	0501055078	MODULES 5 SPINDLER S CENTER ASSY		00	00	00	00	01
01	0501068350	MODULATE BODY		01	01	01	01	01
02	0501068351	PARALELOGRAMA TUBE		02	02	02	02	02
03	0511018739	SIDE BODY FIXER SISTEM SHANKS		01	01	00	01	01
04	0521010029	CENTER BODY FIXER SISTEM SHANKS		00	01	00	01	01
05	0511017294	SIDE BODY FIXER SISTEM SHANKS		01	01	00	01	01
06	0521010030	CENTER BODY FIXER SISTEM SHANKS		00	01	00	01	00
07	0501010162	3/4" X 4" BOLT		04	04	04	04	04
08	0501010322	FLAT WASHER		04	04	04	04	04
09	0503011075	3/4" UNC NUT		04	04	04	04	04
10	0511018881	TUBE FIXING BASE		02	02	02	02	04
11	0511018750	2" X 0.2" X 9.8" SQUARE TUBE		02	03	03	03	05
12	0511018751	2" X 0.2" X 18" TUBE SQUARE		00	01	00	01	00
13	0511018746	1/2" UNC X 2,9" X 2,5" HOLDER		02	02	02	02	02
14	0503011411	1/2" X 5-1/2" BOLT		03	03	03	03	06
15	0503010019	1/2" SPRING WASHER		07	11	11	11	12
16	0503010060	1/2 UNC G.5 ZN HEX NUT		07	11	11	11	12
17	0501047650	IRON DEPTH WHEEL ASSY		01	01	01	01	01
17A	0501051525	IRON DEPTH WHEEL		01	01	01	01	01
17Aa	0502020140	HUB		02	02	02	02	02
17Ab	0503010272	SEAL 00715-BA		02	02	02	02	02
17Ac	0503010690	6204 BALL BEARING		02	02	02	02	02
17Ad	0501015883	COMPACT WHEEL AXLE		01	01	01	01	01
17Ae	0503030143	3.3" X 1.9" X 0.1" JOINT		02	02	02	02	02
17Af	0503010691	1/4" GREASE FITTING		02	02	02	02	02
17Ag	0501068793	IRON DEPTH WHEEL BODY		01	01	01	01	01



MODULES "S" (IRON WHEEL)

0909090470

Item	Code	Description	See page	2LT	3LT	3CT	3IN	5IN/CT
17Ah	0503010743	1/4" X 1-1/4" BOLT		05	05	05	05	05
17Ai	0503010144	1/4" NUT		10	10	10	10	10
17B	0501019265	DEPTH WHEEL ARM		02	02	02	02	02
18	0503010481	BOLT		01	01	01	01	01
19	0503010025	3/8 SPRING WASHER		03	03	03	03	06
20	0503010026	3/8" NUT		03	03	03	03	06
21	0511016009	VIBRATE-CULTIVATOR SHANKS		02	03	03	03	05
22	0521010049	FLEXIBLE FIXER SHANKS		02	03	03	03	05
23	0503010752	1/2" X 3.1/2" BOLT		02	03	03	03	05
24	0621230001	7" X 0,2" "T" SWEEP		02	03	03	03	05
25	0503012016	3/8" X 1-1/2" BOLT		02	03	03	03	05
26	0501010984	10,50 X 27 X 3,00 FLAT WASHER		02	03	03	03	05
27	0521010660	3/4" X 5.9" X 5.1" FASTENER		02	02	00	02	02
28	0503010023	3/4" SPRING WASHER		04	04	08	04	08
29	0503010014	3/4" HEX NUT		04	04	08	04	08
30	0501010098	3/4" UNC BOLT		00	04	00	04	00



Item	Code	Description	See page	2LT	3IN	3CT	3LT	5CT/EN
00	0501055096	MODULES WITH 2 SPINDLER C SIDE ASSY	01	00	00	00	00	00
00A	0501055100	MODULES WITH 3 SPINDLER C INT ASSY	00	01	00	00	00	00
00B	0501055098	MODULES 3 SPINDLER C CENTER ASSY	00	00	01	00	00	00
00C	0501055105	MODULES WITH 3 SPINDLER C SIDE ASSY	00	00	00	01	00	00
00D	0501055102	MODULES 5 SPINDLER C INTERM ASSY	00	00	00	00	01	00
00E	0501055103	MODULES 5 SPINDLER C CENTER ASSY	00	00	00	00	01	00
01	0501068350	MODULATE BODY	01	01	01	01	01	01
02	0501068351	PARALELOGRAMA TUBE	02	02	02	02	02	02
03	0511018739	SIDE BODY FIXER SISTEM SHANKS	01	01	00	01	01	01
04	0511017294	SIDE BODY FIXER SISTEM SHANKS	01	01	00	01	01	01
05	0521010029	CENTER BODY FIXER SISTEM SHANKS	00	01	00	01	00	00
06	0521010030	CENTER BODY FIXER SISTEM SHANKS	00	01	00	01	00	00
07	0501010162	3/4" X 4" BOLT	04	04	04	04	04	04
08	0501010322	FLAT WASHER	04	04	04	04	04	04
09	0503011075	3/4" UNC NUT	04	04	04	04	04	04
10	0511018881	TUBE FIXING BASE	02	02	02	02	04	04
11	0511018750	2" X 0.2" X 9.8" SQUARE TUBE	01	01	01	01	01	01
12	0511018751	2" X 0.2" X 18" TUBE SQUARE	00	01	00	01	00	00
13	0503011411	1/2" X 5-1/2" BOLT	03	03	06	03	06	06
14	0503010019	1/2" SPRING WASHER	07	07	10	07	10	10
15	0503010060	1/2 UNC G.5 ZN HEX NUT	07	07	10	07	10	10
16	0511018746	1/2" UNC X 2,9" X 2,5" HOLDER	02	02	02	02	02	02
17	0501042029	RUBBER DEPTH WHEEL ASSY	01	01	01	01	01	01
17A	0501051501	RUBBER DEPTH WHEEL	01	01	01	01	01	01
17Aa	0502020140	HUB	02	02	02	02	02	02
17Ab	0503010272	SEAL 00715-BA	02	02	02	02	02	02
17Ac	0503010690	6204 BALL BEARING	02	02	02	02	02	02
17Ad	0501015883	COMPACT WHEEL AXLE	01	01	01	01	01	01
17Ae	0503030143	3.3" X 1.9" X 0.1" JOINT	02	02	02	02	02	02
17Af	0503010691	1/4" GREASE FITTING	02	02	02	02	02	02
17Ag	0501015919	PRESS WHEEL RIM	02	02	02	02	02	02

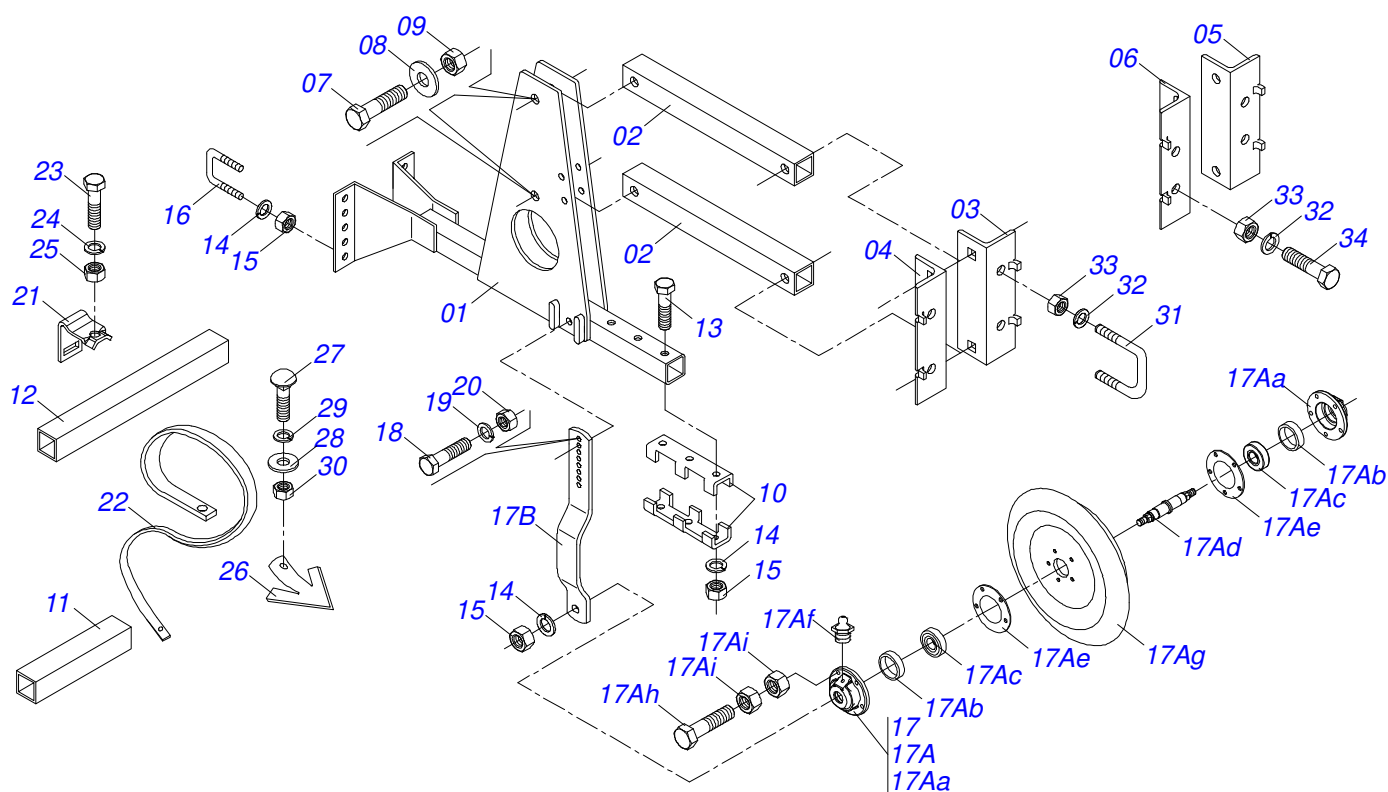


MODULES "C" (RUBBER RUEDA)

0909090474

Item	Code	Description	See page	2LT	3IN	3CT	3LT	5CT/EN
17Ah	0503010743	1/4" X 1-1/4" BOLT		05	05	05	05	05
17Ai	0503010144	1/4" NUT		15	15	15	15	15
17Aj	0503030433	DEPTH CONTROL WHEEL RUBBER BAND		01	01	01	01	01
17Ak	0503010298	1/4" X 1/2" BOLT		05	05	05	05	05
17Al	0503010143	1/4" SPRING WASHER		05	05	05	05	05
17B	0501019265	DEPTH WHEEL ARM		02	02	02	02	02
18	0503010481	BOLT		01	01	01	01	01
19	0503010025	3/8 SPRING WASHER		01	01	01	01	01
20	0503010026	3/8" NUT		01	01	01	01	01
21	0511018749	SHANKS LOCK "C"		02	03	03	03	05
22	0501011974	TURNBUCLE		02	03	03	03	05
23	0503010762	SCREW 5/8 UNC X 3.1/2 CS G.5 ZN		02	03	03	03	05
24	0503010027	5/8 SPRING WASHER		02	03	03	03	05
25	0503010013	5/8 NUT		02	03	03	03	05
26	0621010001	6" X 0.2" CULTIVATOR HOES		02	03	03	03	05
27	0501011963	7/16" X 1-1/2" BOLT		04	06	06	06	10
28	0501012803	FLAT WASHER		04	06	06	06	10
29	0503010180	7/16" SPRING WASHER		04	06	06	06	10
30	0503010244	7/16" NUT		04	06	06	06	10
31	0521010660	3/4" X 5.9" X 5.1" FASTENER		02	02	00	02	02
32	0503010023	3/4" SPRING WASHER		04	04	08	04	08
33	0503010014	3/4" HEX NUT		04	04	08	04	08
34	0501010098	3/4" UNC BOLT		00	04	00	04	00

MODULES "C" (IRON WHEEL)



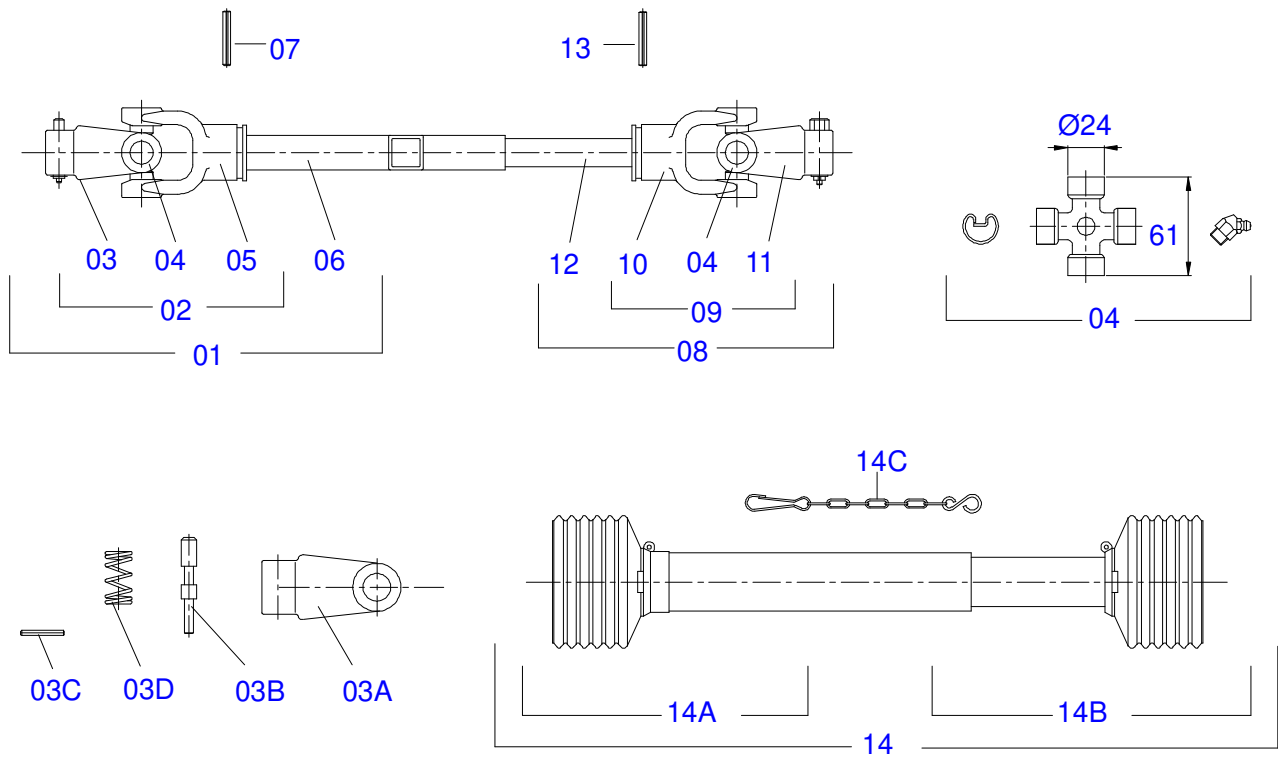
Item	Code	Description	See page	2LT	3IN	3CT	3LT	5IN/CT
00	0501055097	MODULES WITH 2 SPINDLER C SIDE ASSY		01	00	00	00	00
00A	0501055101	MODULES 3 SPINDLER C INTERM ASSY		00	01	00	00	00
00B	0501055100	MODULES WITH 3 SPINDLER C INT ASSY		00	00	01	00	00
00C	0501055106	MODULES WITH 3 SPINDLER C SIDE ASSY		00	00	00	01	00
00D	0501051513	MODULES 5 SPINDLER C INTERM ASSY		00	00	00	00	01
00E	0501055104	MODULES 5 SPINDLER C CENTER ASSY		00	00	00	00	01
01	0501068350	MODULATE BODY		01	01	01	01	01
02	0501068351	PARALELOGRAMA TUBE		02	02	02	02	02
03	0511018739	SIDE BODY FIXER SISTEM SHANKS		01	01	01	01	01
04	0511017294	SIDE BODY FIXER SISTEM SHANKS		01	01	01	01	01
05	0521010029	CENTER BODY FIXER SISTEM SHANKS		00	01	00	01	00
06	0521010030	CENTER BODY FIXER SISTEM SHANKS		00	01	00	01	00
07	0501010162	3/4" X 4" BOLT		04	04	04	04	04
08	0501010322	FLAT WASHER		04	04	04	04	04
09	0503011075	3/4" UNC NUT		04	04	04	04	04
10	0511018881	TUBE FIXING BASE		02	02	02	02	02
11	0511018750	2" X 0.2" X 9.8" SQUARE TUBE		02	02	02	02	02
12	0511018751	2" X 0.2" X 18" TUBE SQUARE		00	00	01	01	00
13	0503011411	1/2" X 5-1/2" BOLT		03	03	03	06	06
14	0503010019	1/2" SPRING WASHER		07	07	07	10	10
15	0503010060	1/2 UNC G.5 ZN HEX NUT		07	07	07	10	10
16	0511018746	1/2" UNC X 2,9" X 2,5" HOLDER		02	02	02	02	02
17	0501047650	IRON DEPTH WHEEL ASSY		01	01	01	01	01
17A	0501051525	IRON DEPTH WHEEL		01	01	01	01	01
17Aa	0502020140	HUB		02	02	02	02	02
17Ab	0503010272	SEAL 00715-BA		02	02	02	02	02
17Ac	0503010690	6204 BALL BEARING		02	02	02	02	02
17Ad	0501015883	COMPACT WHEEL AXLE		01	01	01	01	01
17Ae	0503030143	3.3" X 1.9" X 0.1" JOINT		02	02	02	02	02
17Af	0503010691	1/4" GREASE FITTING		02	02	02	02	02
17Ag	0501068793	IRON DEPTH WHEEL BODY		01	01	01	01	01



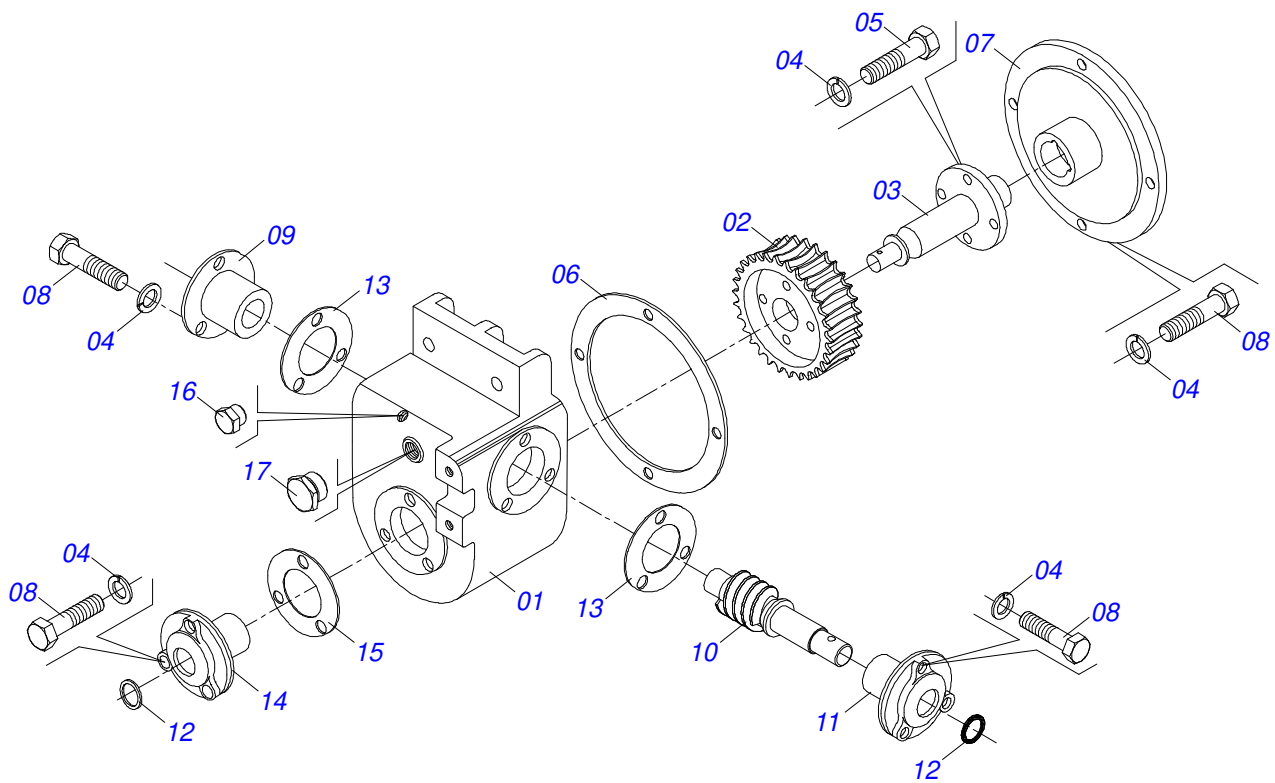
MODULES "C" (IRON WHEEL)

0909090475

Item	Code	Description	See page	2LT	3IN	3CT	3LT	5IN/CT
17Ah	0503010743	1/4" X 1-1/4" BOLT		05	05	05	05	05
17Ai	0503010144	1/4" NUT		10	10	10	10	10
17B	0501019265	DEPTH WHEEL ARM		02	02	02	02	02
18	0503010481	BOLT		01	01	01	01	01
19	0503010025	3/8 SPRING WASHER		01	01	01	01	01
20	0503010026	3/8" NUT		01	01	01	01	01
21	0511018749	SHANKS LOCK "C"		02	03	03	03	05
22	0501011974	TURNBUCLE		02	03	03	03	05
23	0503010762	SCREW 5/8 UNC X 3.1/2 CS G.5 ZN		02	03	03	03	05
24	0503010027	5/8 SPRING WASHER		02	03	03	03	05
25	0503010013	5/8 NUT		02	03	03	03	05
26	0621010001	6" X 0.2" CULTIVATOR HOES		02	03	03	03	05
27	0501011963	7/16" X 1-1/2" BOLT		04	06	06	06	10
28	0501012803	FLAT WASHER		04	06	06	06	10
29	0503010180	7/16" SPRING WASHER		04	06	06	06	10
30	0503010244	7/16" NUT		04	06	06	06	10
31	0521010660	3/4" X 5.9" X 5.1" FASTENER		02	02	00	02	02
32	0503010023	3/4" SPRING WASHER		04	04	08	04	08
33	0503010014	3/4" HEX NUT		04	04	08	04	08
34	0501010098	3/4" UNC BOLT		00	04	00	04	00



Item	Code	Description	See page	QT
01	0501050255	SLEEVE UNIVERSAL JOINT		01
02	0501050263	UNIVERSAL JOINT		01
03	0501050332	1-20 TERMINAL		01
03A	0502010561	1-20 TERMINAL		01
03B	0521010637	0.5" X 3" COUPLING SHAFT		01
03C	0503010838	0.1" X 0.8" SPRING PIN		01
03D	0503030518	0.5"X1.0"X 0.1" COMPRESSION SPRING		01
04	0503010835	CARDAN CROSSPIECE		02
05	0502010559	2-20 TERMINAL		01
06	0511018902	0.9" X 20" SQUARE SLEEVE		01
07	0503010839	03"X 0.6" SPRING PIN		01
08	0501050257	UNIVERSAL JOINT WITH AXLE		01
09	0501050264	UNIVERSAL JOINT		01
10	0502010562	3-20 TERMINAL		01
11	0502010558	4-20 TERMINAL WITH ROLES		01
12	0511010237	0.9" X 18" SQUARE SHAFT		01
13	0503010301	0.3" X 1.8" SPRING PIN		01
14	0503012089	PROTECTION ASSY		01
14A	0503012090	PROTECTION FOR UNIV JOINT AND SLEEVE		01
14B	0503012091	PROTECTION FOR UNIV JOINT AND AXLE		01
14C	0503012023	CHAIN FOR PROTECTION		01



Item	Code	Description	See page	QT
01	0502020105	REDUCTION BOX	01	
02	0502011557	23Z GEAR	01	
03	0502012008	1.4" FLANGE AXLE	01	
04	0503010025	3/8 SPRING WASHER	17	
05	0503010237	3/8" X 1" BOLT	04	
06	0503030063	7,1" X 5,6" X 0,01" JOINT	02	
07	0502020103	GEAR LARGER COVER	01	
08	0503010751	C3/8" X 1.1/4" HEX BOLT G.5	13	
09	0502020100	COVERS WT HOLE BLIND ENDLESS THREAD	01	
10	0521012280	SCREW THEAD	01	
11	0502020099	COVERS HOLE PASSER ENDLESS THREAD	01	
12	0503010077	SEAL 00284-BR	02	
13	0503030062	3.9" X 2.5" X 0,01" JOINT	04	
14	0502020101	GEAR SMALLER COVER	01	
15	0503030061	3,5" X 1,9" X 0,01" JOINT	02	
16	0511017907	1/8" BSPT X 6 PLUG	01	
17	0503010856	OIL PLUG	01	



MARCHESAN

Technical Publications | Elaboration and Revision

ALESSANDRA PATRICIA KAWAHARA CARRILI

www.marchesan.com.br

