

CULTIVATORS

**CPD2 -
02/04/05/06/07/08/10/12/13/14/15/16/18/20D**

Code: 0501091242

Series: S-1298

Revision: 00

Date Revision: AGOSTO/2014

PARTS CATALOGUE



MARCHESAN



PRODUCTS

Code	Description
0109021077	CPD2 2DDD 4,20 2CX RT S1298
0109021040	CPD2 4DDD 4,40 2CX RT C/MEX S1298
0109020553	CPD2 4DDD 5,50 4CX RT C/MEX S1298
0109020557	CPD2 5DDD 5,50 5CX RT C/MEX S1298
0109020997	CPD2 5DDD 7,36 5CX RT C/MEX S1298
0109021058	CPD2 6DDD 5,50 3CX RT C/MEX S1298
0109021029	CPD2 6DDD 5,50 3CX RT ESP S-1298
0109021110	CPD2 6DDD 5,50 6CX RT C/MEX S1298
0109020558	CPD2 6DDD 7,36 6CX RT C/MEX S1298
0109020559	CPD2 7DDD 7,36 7CX RT C/MEX S1298
0109020590	CPD2 8DDD 4,20 4CX RT C/MEX S1298
0109020548	CPD2 8DDD 5,50 4CX RT C/MEX S1298
0109020560	CPD2 8DDD 7,36 8CX RT C/MEX S1298
0109021062	CPD2 8DDD 8,80 4CX RT C/MEX S1298
0109020541	CPD2 10DDD 5,50 5CX RT C/MEX S1298
0109021162	CPD2 10DDD 5,50 5CX 110L RT C/MEX S-1298
0109020680	CPD2 10DDD 8,80 6CX RT C/MEX S1298
0109020561	CPD2 10DDD 8,80 10CX RT C/MEX S1298
0109020549	CPD2 12DDD 7,36 6CX RT C/MEX S1298
0109021118	CPD2 13DDD 7,36 7CX RT C/MEX S1298
0109020550	CPD2 14DDD 7,36 7CX RT C/MEX S1298
0109021123	CPD2 15DDD 8,80 8CX RT C/MEX S1298
0109020551	CPD2 16DDD 7,36 8CX RT C/MEX S1298
0109021033	CPD2 18DDD 8,80 9CX RT C/MEX S-1298
0109020542	CPD2 20DDD 8,80 10CX RT C/MEX S1298
0109021161	CPD2 5DDD 5,50 5CX 110L RT C/MEX S-1298
0109020679	CPD2 8,80 10CX RT C/MEX S/DDD S1298
0109021024	CPD2 S/DDD 5,50 5CX RT C/MEX S1298
0109021096	CPD2 S/DDD 7,36 7CX RT C/MEX S-1298
0109021063	CPD2 S/DDD 7,36 8CX RT C/MEX S-1298

ATTENTION: IMPORTANT

Marchesan S.A. reserves the right to improve and / or modify the technical features of its products, without obligation to do the same with those products already sold and without prior knowledge of the dealer or the consumer.



PRODUCTS

0109021018	CPD2 S/DDD 8,80 10CX RT C/MEX S1298
0109021155	CPD2 S/DDD 8,80 5CX RT C/MEX S-1298
0109021159	CPD2 S/DDD 8,80 6CX RT C/MEX S-1298

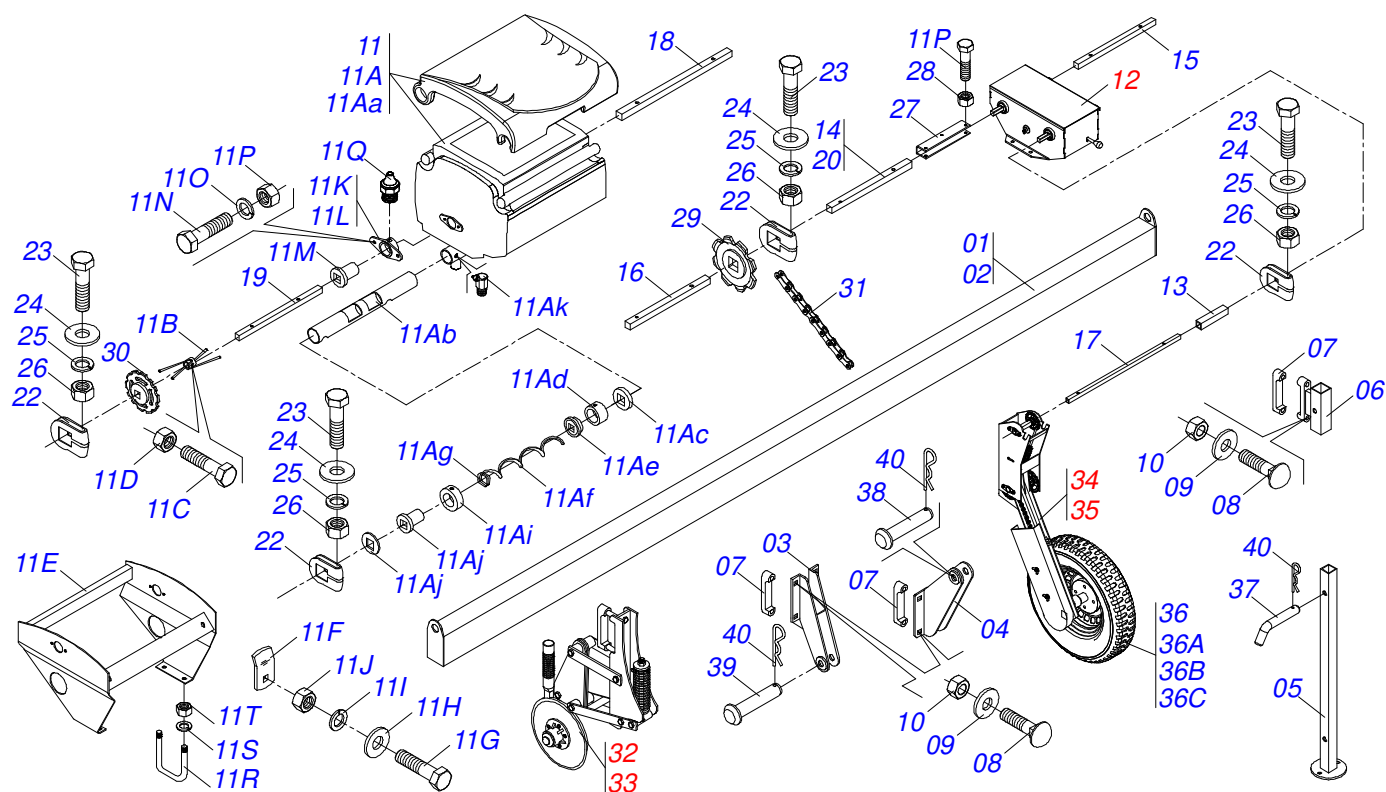
ATTENTION: IMPORTANT

Marchesan S.A. reserves the right to improve and / or modify the technical features of its products, without obligation to do the same with those products already sold and without prior knowledge of the dealer or the consumer.



INDEX

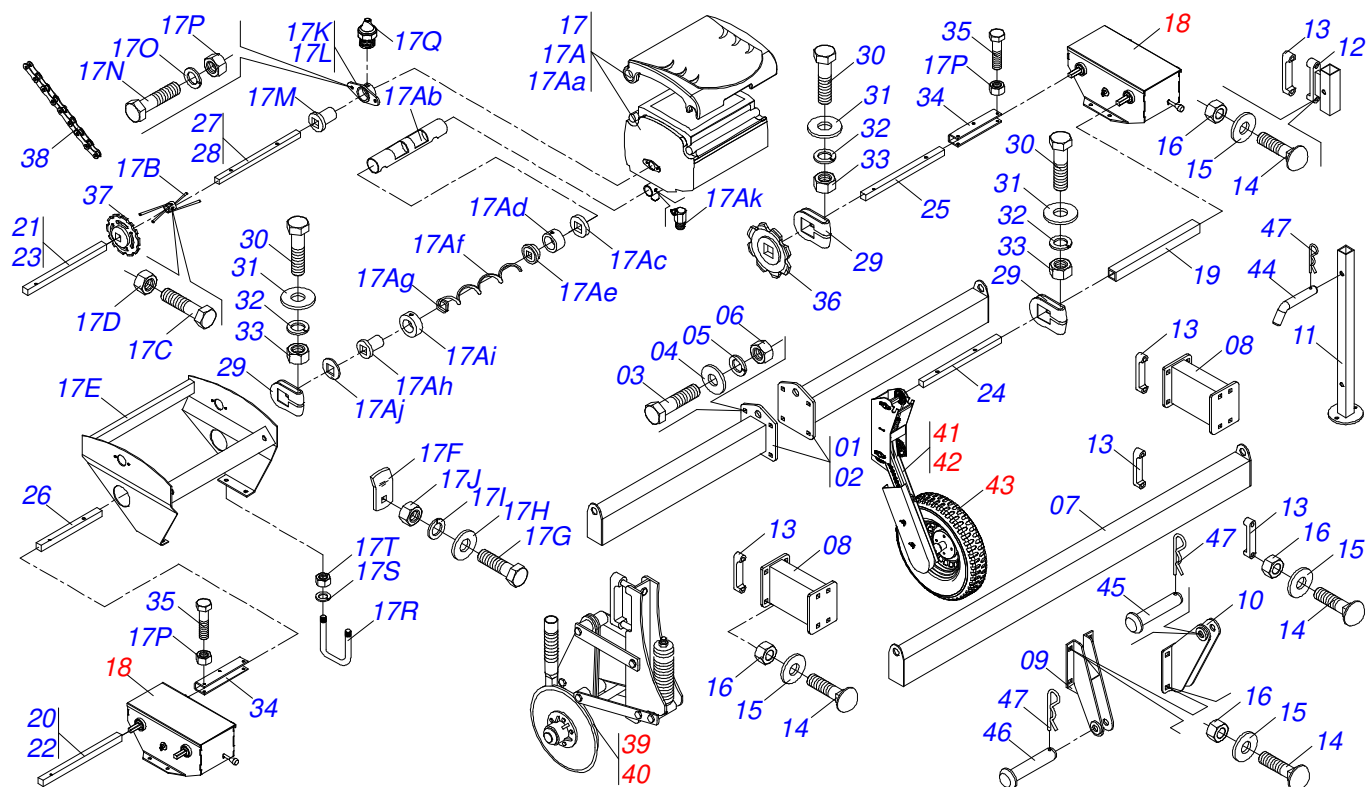
0909090417	FRAME 4200/5500 4/5/8/10	1
0909090416	FRAME 7360 6/7/8/10	2
0909090415	FRAME 7360 12/14/16/20	3
0909090439	LEFT/ RIGHT CARRYING-WHEELS PIVOT	4
0909090422	LEFT /RIGHT ROW ASSY	5
0909090423	15" X 15" FERT UNAL DOUB-DISC ASSY	6
0909092987	DDD ADUBO LEFT E RIGHT	7
0501048458	GEAR BOX	8
0501052759	BEARING OF THE GEAR BOX ASSY	9
0501048672	CHAIN TENSIONER ASSY	10
0501054085	AXLE BEARING FIXER ASSY	11



Item	Code	Description	See page	4L	5L	8L	10L
01	0511061625	4200 FRAME TUBE		00	00	01	00
02	0511060022	216" FRAME TUBE		01	01	01	01
03	0501069940	LOWER HITCH		02	02	02	02
04	0501069941	UPPER HITCH		01	01	01	01
05	0501069951	PLOUGH SUPPORT		01	01	01	01
06	0501069950	PLOUGH SUPPORT		01	01	01	01
07	0502011558	FASTENER		11	11	11	11
08	0503012109	3/4" X 6-1/4" BOLT		22	22	22	22
09	0511017305	FLAT WASHER		22	22	22	22
10	0503011255	3/4" LOCK NUT		22	22	22	22
11	0501048460	SUPPORT BEAN FERTILIZER		04	05	04	05
11A	0501052378	BEAN FERTILIZER ASSY		04	05	04	05
11Aa	0503031530	COVER GREEN BEAM FERTILIZER YELLOW		04	05	04	05
11Ab	0521015427	Ø 60 X Ø 53 X 645 PVC TUBE		04	05	04	05
11Ac	0501013774	GREASE SEAL		04	05	04	05
11Ad	0502011681	GUIDES AXLE FERTILIZER SLEEVE CENTE		04	05	04	05
11Ae	0503031527	AGRICULTURAL BEARING		08	10	08	10
11Af	0503031469	RIGHT HELICAL SPRING		04	05	04	05
11Ag	0503031471	LEFT HELICAL SPRING		04	05	04	05
11Ah	0503030275	AGRICULTURAL BEARING		08	10	08	10
11Ai	0502020646	FERTILIZER AXLE SLEVE GUIDES		08	10	08	10
11Aj	0501010637	FLAT WASHER		08	10	08	10
11Ak	0503012102	CREASE FITTING		12	15	12	15
11B	0501068529	MEXEDOR BODY		04	05	04	05
11C	0503010237	3/8" X 1" BOLT		04	05	04	05
11D	0503010026	3/8" NUT		02	02	02	02
11E	0511060692	FERTILIZER BEAM SUPPORT		04	05	04	05
11F	0521014575	FERTILIZER PLATE LOCK BEAM		16	20	16	20
11G	0501011600	1/2" X 1-1/4" BOLT		16	20	16	20
11H	0511017302	FLAT WASHER		16	20	16	20
11I	0503010019	1/2" SPRING WASHER		16	20	16	20



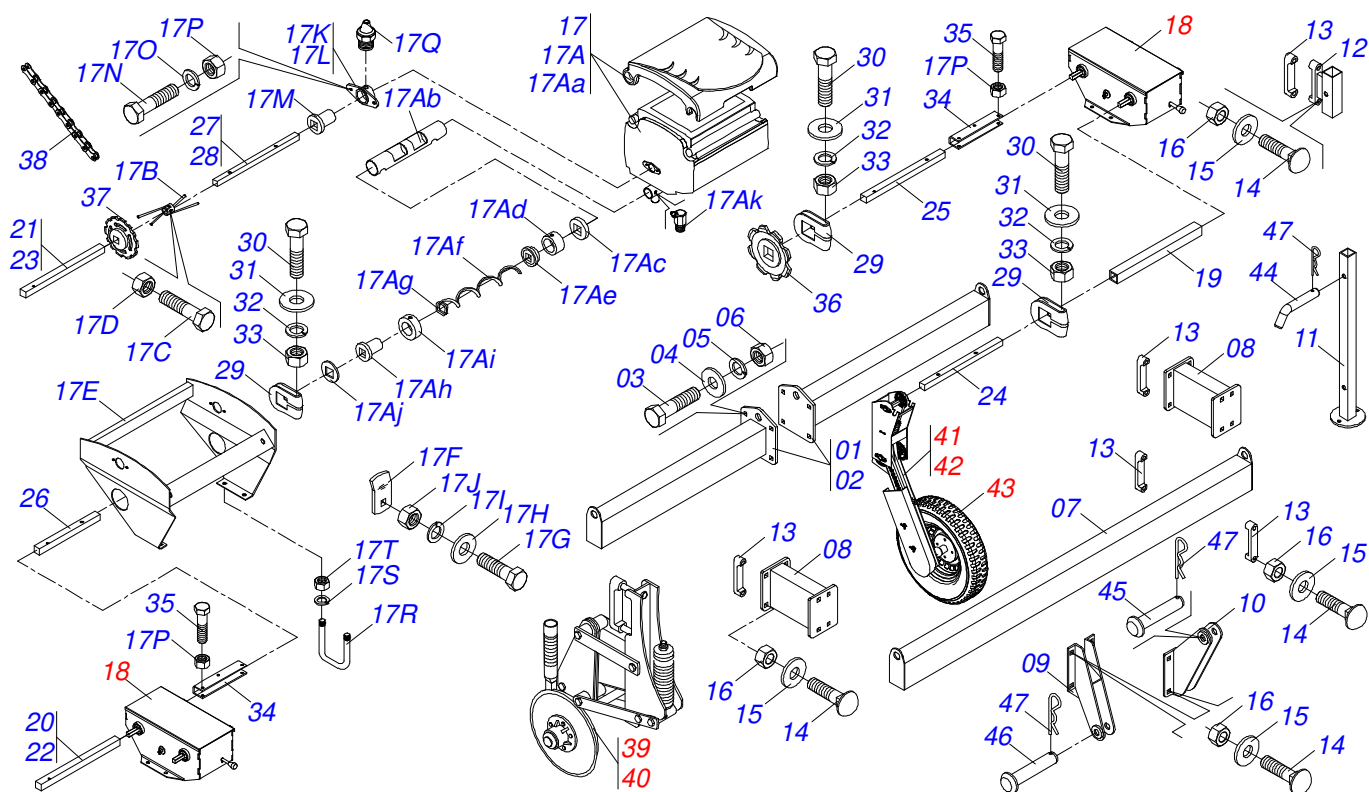
Item	Code	Description	See page	4L	5L	8L	10L
11J	0503010020	1/2"NUT		16	20	16	20
11K	0511019411	RH BEARING		05	06	05	06
11L	0521010715	LEFT BEARING		05	06	05	06
11M	0502010671	CENTRAL BEARING		10	12	10	12
11N	0503010371	5/16" X 1" BOLT		20	24	20	24
11O	0503010179	5/16" ZN SPRING WASHER		20	24	20	24
11P	0503010337	5/16" NUT		38	24	32	24
11Q	0503010691	1/4" GREASE FITTING		10	12	10	12
11R	0521013406	9/16"UNC X 7.6" X 4.5" FASTENER		08	10	08	10
11S	0503010749	9/16" SPRING WASHER		16	20	16	20
11T	0503010132	9/16" NUT		16	20	16	20
12	0501048458	GEAR BOX	8	01	01	01	01
13	0501018672	AXLE SLEEVE		01	01	01	01
14	0511014218	3/4" X 28.7"SQUARE SHAFT		00	01	00	01
15	0521013958	3/4" X 26.3" SQUARE SHAFT		00	01	00	00
16	0511014234	3/4" X 35" SQUARE SHAFT		00	01	01	01
17	0501018653	3/4" X 46"SQUARE SHAFT		00	01	00	01
18	0501018699	3/4" X 52" SQUARE SHAFT		01	00	01	00
19	0501018701	3/4" X 78"SQUARE SHAFT		04	01	04	01
20	0511014436	3/4" X 124" SQUARE SHAFT		00	04	00	04
21	0502011337	14Z P 1.2" SH 3/4" GEAR		01	01	01	01
22	0521010691	AXLE FASTENER		24	28	24	28
23	0503010373	SCREW 1/4 UNC X 2 CS G.2 ZN		24	28	24	28
24	0501010694	8.5 X 18 X 1.5 FLAT WASHER		24	28	24	28
25	0503010143	1/4" SPRING WASHER		24	28	24	28
26	0503010144	1/4" NUT		24	28	24	28
27	0521013291	TRANSPORT LOCK AXLE		02	03	02	03
28	0503010397	5/16" X 1-3/4" BOLT		09	09	09	09
29	0502011315	8Z P 1.2" SH 3/4" GEAR		02	02	02	02
30	0502011349	18Z P 1.2" SH 3/4" GEAR		02	02	02	02
31	0503011263	2050 CHAIN X 22 LINK + REDUCTION		02	02	02	02
32	0501049293	RIGHT ROW ASSY		02	03	04	05
33	0501049294	LEFT ROW ASSY		02	03	04	05
34	0501054029	ARTICULACION CARRYING-WHEELS RIGHT		01	01	01	01
35	0501054030	ARTICULACION CARRYING-WHEELS LEFT		01	01	01	01
36	0503060105	WELL AND TIRE ASSY		02	02	02	02
36A	0503011010	CANVAS TIRE		02	02	02	02
36B	0503010791	AR F 15 INNER TIRE		02	02	02	02
36C	0503010789	0.2"J X 15H2" X0.2"F X0.6"X6" WHEEL		02	02	02	02
37	0501011075	PIN		01	01	01	01
38	0521010579	COUPLING SHAFT		01	01	01	01
39	0521010596	COUPLING SHAFT		02	02	02	02
40	0503031035	HAIR PIN		04	04	04	04



Item	Code	Description	See page	6L	7L	8L	10L
01	0511060483	FRAME TUBE LEFT. RIGHT		02	02	02	00
02	0501069953	FRAME TUBE LEFT. RIGHT		00	00	02	00
03	0501017305	3/4" X 2-1/4" BOLT		04	04	04	04
04	0501010322	FLAT WASHER		04	04	04	04
05	0503010023	3/4" SPRING WASHER		04	04	04	04
06	0503010014	3/4" NUT		04	04	04	04
07	0501069524	4400 FRAME TUBE		01	01	01	01
08	0501069943	FRAME FIXER		04	04	04	04
09	0501069940	LOWER HITCH		02	02	02	02
10	0501069941	UPPER HITCH		01	01	01	01
11	0501069951	PLOUGH SUPPORT		02	02	02	02
12	0501069950	PLOUGH SUPPORT		02	02	02	02
13	0502011558	FASTENER		16	16	16	16
14	0503012109	3/4" X 6-1/4" BOLT		28	28	28	28
15	0511017305	FLAT WASHER		28	28	28	28
16	0503011255	3/4" LOCK NUT		28	28	28	28
17	0501048460	SUPPORT BEAN FERTILIZER		06	07	08	10
17A	0501052378	BEAN FERTILIZER ASSY		06	07	08	10
17Aa	0503031530	COVER GREEN BEAM FERTILIZER YELLOW		06	07	08	10
17Ab	0521015427	Ø 60 X Ø 53 X 645 PVC TUBE		06	07	08	10
17Ac	0501013774	GREASE SEAL		06	07	08	10
17Ad	0502011681	GUIDES AXLE FERTILIZER SLEEVE CENTE		06	07	08	10
17Ae	0503031527	AGRICULTURAL BEARING		12	14	16	20
17Af	0503031469	RIGHT HELICAL SPRING		06	07	08	10
17Ag	0503031471	LEFT HELICAL SPRING		06	07	08	10
17Ah	0503030275	AGRICULTURAL BEARING		12	14	16	20
17Ai	0502020646	FERTILIZER AXLE SLEVE GUIDES		12	14	16	20
17Aj	0501010637	FLAT WASHER		12	14	16	20
17Ak	0503012102	CREASE FITTING		18	21	24	30
17B	0501068529	MEXEDOR BODY		06	07	08	10
17C	0503010237	3/8" X 1" BOLT		06	07	08	10



Item	Code	Description	See page	6L	7L	8L	10L
17D	0503010026	3/8" NUT		06	07	08	10
17E	0511060692	FERTILIZER BEAM SUPPORT		06	07	08	10
17F	0521014575	FERTILIZER PLATE LOCK BEAM		24	28	32	40
17G	0501011600	1/2" X 1-1/4" BOLT		24	28	32	40
17H	0511017302	FLAT WASHER		24	28	32	40
17I	0503010019	1/2" SPRING WASHER		24	28	32	40
17J	0503010020	1/2"NUT		24	28	32	40
17K	0511019411	RH BEARING		07	08	09	11
17L	0521010715	LEFT BEARING		07	08	09	11
17M	0502010671	CENTRAL BEARING		14	16	18	22
17N	0503010371	5/16" X 1" BOLT		28	32	36	44
17O	0503010179	5/16" ZN SPRING WASHER		28	32	36	44
17P	0503010337	5/16" NUT		52	56	52	62
17Q	0503010691	1/4" GREASE FITTING		14	16	18	22
17R	0521013406	9/16"UNC X 7.6" X 4.5" FASTENER		12	14	16	20
17S	0503010749	9/16" SPRING WASHER		24	28	32	40
17T	0503010132	9/16" NUT		32	28	32	40
18	0501048458	GEAR BOX	8	02	02	02	02
19	0501018672	AXLE SLEEVE		02	02	02	02
20	0511014218	3/4" X 28.7"SQUARE SHAFT		00	02	02	02
21	0511014233	3/4" X 40 SQUARE SHAFT		00	02	02	00
22	0501018696	3/4" X 59" SQUARE SHAFT		00	00	02	00
23	0521013278	3/4" X 62" SQUARE SHAFT		00	00	02	00
24	0501018698	3/4" X 72" SQUARE SHAFT		02	02	02	02
25	0521013277	3/4" X 98" SQUARE SHAFT		00	02	02	02
26	0511017231	3/4" X 98" SQUARE SHAFT		02	00	02	00
27	0511014238	3/4" X 104" SQUARE SHAFT		02	02	02	02
28	0511014237	3/4" X 110 SQUARE SHAFT		00	00	02	00
29	0521010691	AXLE FASTENER		40	44	48	56
30	0503010373	SCREW 1/4 UNC X 2 CS G.2 ZN		40	44	48	56
31	0501010694	8.5 X 18 X 1.5 FLAT WASHER		40	44	48	56
32	0503010143	1/4" SPRING WASHER		40	44	48	56
33	0503010144	1/4" NUT		40	44	48	56
34	0521013291	TRANSPORT LOCK AXLE		04	06	06	06
35	0503010397	5/16" X 1-3/4" BOLT		12	12	18	18
36	0502011315	8Z P 1.2" SH 3/4" GEAR		02	03	04	04
37	0502011349	18Z P 1.2" SH 3/4" GEAR		02	03	04	04
38	0503011263	2050 CHAIN X 22 LINK + REDUCTION		02	03	04	04
39	0501049293	RIGHT ROW ASSY		03	04	04	05
40	0501049294	LEFT ROW ASSY		03	04	04	05
41	0501054029	ARTICULACION CARRYING-WHEELS RIGHT		01	01	01	01
42	0501054030	ARTICULACION CARRYING-WHEELS LEFT		01	01	01	01
43	0503060105	WELL AND TIRE ASSY		02	02	02	02
44	0501011075	PIN		02	02	02	02
45	0521010579	COUPLING SHAFT		01	01	01	01
46	0521010596	COUPLING SHAFT		02	02	02	02
47	0503031035	HAIR PIN		05	05	05	05



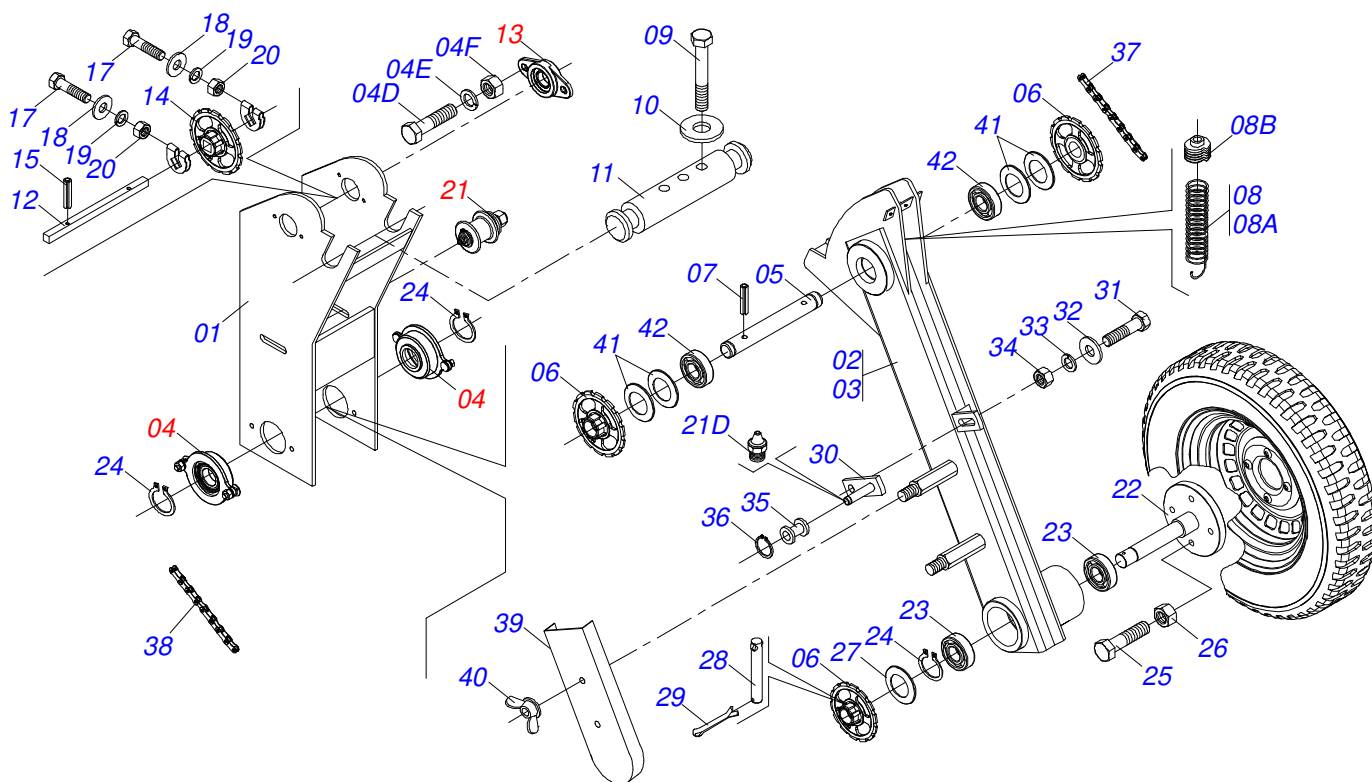
Item	Code	Description	See page	12L	14L	16L	20L
01	0511060483	FRAME TUBE LEFT. RIGHT	02	02	02	00	
02	0501069953	FRAME TUBE LEFT. RIGHT	00	00	00	02	
03	0501017305	3/4" X 2-1/4" BOLT	04	04	04	04	
04	0501010322	FLAT WASHER	04	04	04	04	
05	0503010023	3/4" SPRING WASHER	04	04	04	04	
06	0503010014	3/4" NUT	04	04	04	04	
07	0501069524	4400 FRAME TUBE	01	01	01	01	
08	0501069943	FRAME FIXER	04	04	04	04	
09	0501069940	LOWER HITCH	02	02	02	02	
10	0501069941	UPPER HITCH	01	01	01	01	
11	0501069951	PLOUGH SUPPORT	02	02	02	02	
12	0501069950	PLOUGH SUPPORT	02	02	02	02	
13	0502011558	FASTENER	16	16	16	16	
14	0503012109	3/4" X 6-1/4" BOLT	28	28	28	28	
15	0511017305	FLAT WASHER	28	28	28	28	
16	0503011255	3/4" LOCK NUT	28	28	28	28	
17	0501048460	SUPPORT BEAN FERTILIZER	06	07	08	10	
17A	0501052378	BEAN FERTILIZER ASSY	06	07	08	10	
17Aa	0503031530	COVER GREEN BEAM FERTILIZER YELLOW	06	07	08	10	
17Ab	0521015427	Ø 60 X Ø 53 X 645 PVC TUBE	06	07	08	10	
17Ac	0501013774	GREASE SEAL	06	07	08	10	
17Ad	0502011681	GUIDES AXLE FERTILIZER SLEEVE CENTE	06	07	08	10	
17Ae	0503031527	AGRICULTURAL BEARING	12	14	16	20	
17Af	0503031469	RIGHT HELICAL SPRING	06	07	08	10	
17Ag	0503031471	LEFT HELICAL SPRING	06	07	08	10	
17Ah	0503030275	AGRICULTURAL BEARING	12	14	16	20	
17Ai	0502020646	FERTILIZER AXLE SLEVE GUIDES	12	14	16	20	
17Aj	0501010637	FLAT WASHER	12	14	16	20	
17Ak	0503012102	CREASE FITTING	18	21	24	20	
17B	0501068529	MEXEDOR BODY	06	07	08	10	
17C	0503010237	3/8" X 1" BOLT	06	07	08	10	



Item	Code	Description	See page	12L	14L	16L	20L
17D	0503010026	3/8" NUT		02	02	02	02
17E	0511060692	FERTILIZER BEAM SUPPORT		06	07	08	10
17F	0521014575	FERTILIZER PLATE LOCK BEAM		24	28	32	40
17G	0501011600	1/2" X 1-1/4" BOLT		24	28	32	40
17H	0511017302	FLAT WASHER		24	28	32	40
17I	0503010019	1/2" SPRING WASHER		24	28	32	40
17J	0503010020	1/2"NUT		24	28	32	40
17K	0511019411	RH BEARING		07	08	09	11
17L	0521010715	LEFT BEARING		07	08	09	11
17M	0502010671	CENTRAL BEARING		14	16	18	22
17N	0503010371	5/16" X 1" BOLT		28	32	36	44
17O	0503010179	5/16" ZN SPRING WASHER		28	32	36	44
17P	0503010337	5/16" NUT		52	56	52	62
17Q	0503010691	1/4" GREASE FITTING		14	16	18	22
17R	0521013406	9/16"UNC X 7.6" X 4.5" FASTENER		12	14	16	20
17S	0503010749	9/16" SPRING WASHER		24	28	32	40
17T	0503010132	9/16" NUT		24	28	32	40
18	0501048458	GEAR BOX	8	02	02	02	02
19	0501018672	AXLE SLEEVE		02	02	02	02
20	0511014218	3/4" X 28.7"SQUARE SHAFT		00	02	02	00
21	0511014233	3/4" X 40 SQUARE SHAFT		00	02	02	00
22	0501018696	3/4" X 59" SQUARE SHAFT		00	00	00	02
23	0521013278	3/4" X 62" SQUARE SHAFT		00	00	00	02
24	0501018698	3/4" X 72" SQUARE SHAFT		02	02	02	02
25	0521013277	3/4" X 98" SQUARE SHAFT		00	02	02	02
26	0511017231	3/4" X 98" SQUARE SHAFT		02	00	00	00
27	0511014238	3/4" X 104" SQUARE SHAFT		02	02	02	00
28	0511014237	3/4" X 110 SQUARE SHAFT		00	00	02	00
29	0521010691	AXLE FASTENER		40	44	48	56
30	0503010373	SCREW 1/4 UNC X 2 CS G.2 ZN		40	44	48	56
31	0501010694	8.5 X 18 X 1.5 FLAT WASHER		40	44	48	56
32	0503010143	1/4" SPRING WASHER		40	44	48	56
33	0503010144	1/4" NUT		40	44	48	56
34	0521013291	TRANSPORT LOCK AXLE		04	06	06	06
35	0503010397	5/16" X 1-3/4" BOLT		12	12	18	18
36	0502011315	8Z P 1.2" SH 3/4" GEAR		02	03	04	04
37	0502011349	18Z P 1.2" SH 3/4" GEAR		02	03	04	04
38	0503011263	2050 CHAIN X 22 LINK + REDUCTION		02	03	04	04
39	0501049293	RIGHT ROW ASSY		06	07	08	10
40	0501049294	LEFT ROW ASSY		06	07	08	10
41	0501054029	ARTICULACION CARRYING-WHEELS RIGHT		01	01	01	01
42	0501054030	ARTICULACION CARRYING-WHEELS LEFT		01	01	01	01
43	0503060105	WELL AND TIRE ASSY		02	02	02	02
43A	0503011010	CANVAS TIRE		02	02	02	02
43B	0503010791	AR F 15 INNER TIRE		02	02	02	02
43C	0503010789	0.2"J X 15H2" X0.2"F X0.6"X6" WHEEL		02	02	02	02
44	0501011075	PIN		02	02	02	02
45	0521010579	COUPLING SHAFT		01	01	01	01
46	0521010596	COUPLING SHAFT		02	02	02	02
47	0503031035	HAIR PIN		05	05	05	05

LEFT/ RIGHT CARRYING-WHEELS PIVOT

0909090439



Item	Code	Description	See page	DIR ESQ
01	0511063322	CARRYING-WHEELS SUPPORT BOX		01 01
02	0511063319	RIGHT CARRYING-WHEELS SUPPORT		01 00
03	0511063320	LEFT CARRYING-WHEELS SUPPORT		00 01
04	0501054085	AXLE BEARING FIXER ASSY	11	02 02
05	0531013812	LOWWER AXLE TRANSM		01 01
06	0502011334	14Z P 1.2" RH 1.4" GEAR		03 03
07	0503010756	0.2" X 2.4" SPRING PIN		02 02
08	0501053355	HITCH TRACTION SPRING		01 01
08A	0503030806	2.3" X 8" X 0.3" TRACTION SPRING		01 01
08B	0502011060	SUPPORT SPRING		01 01
09	0503013329	1/2" UNC X 4-3/4" BOLT		02 02
10	0511017302	FLAT WASHER		02 02
11	0531013816	SPRING AXLE FICACCION		01 01
12	0531013817	UPPER AXLE TRANSM		01 01
13	0501052759	BEARING OF THE GEAR BOX ASSY	9	02 02
13A	0502011697	BEARING OF THE GEAR BOX		01 01
13B	0503011410	ROLLER BEARING		01 01
13C	0503011105	SEAL RING		01 01
14	0502011337	14Z P 1.2" SH 3/4" GEAR		01 01
15	0503010292	0.2" X 1.6" SPRING PIN		02 02
16	0521010691	AXLE FASTENER		02 02
17	0503010373	SCREW 1/4 UNC X 2 CS G.2 ZN		02 02
18	0501010694	8.5 X 18 X 1.5 FLAT WASHER		02 02
19	0503010143	1/4" SPRING WASHER		02 02
20	0503010144	1/4" NUT		02 02
21	0501048672	CHAIN TENSIONER ASSY	10	01 01
22	0501069944	FALNGE AXLE CARRYING-WHEELS		01 01
23	0503010816	6207 RS ROLLER BEARING		02 02
24	0503010845	501035 CLAMPING RING (FOR AXLE)		01 01
25	0501010127	9/16" X 1-7/8" LUG BOLT		04 04
26	0503010035	9/16" CONIC NUT		04 04

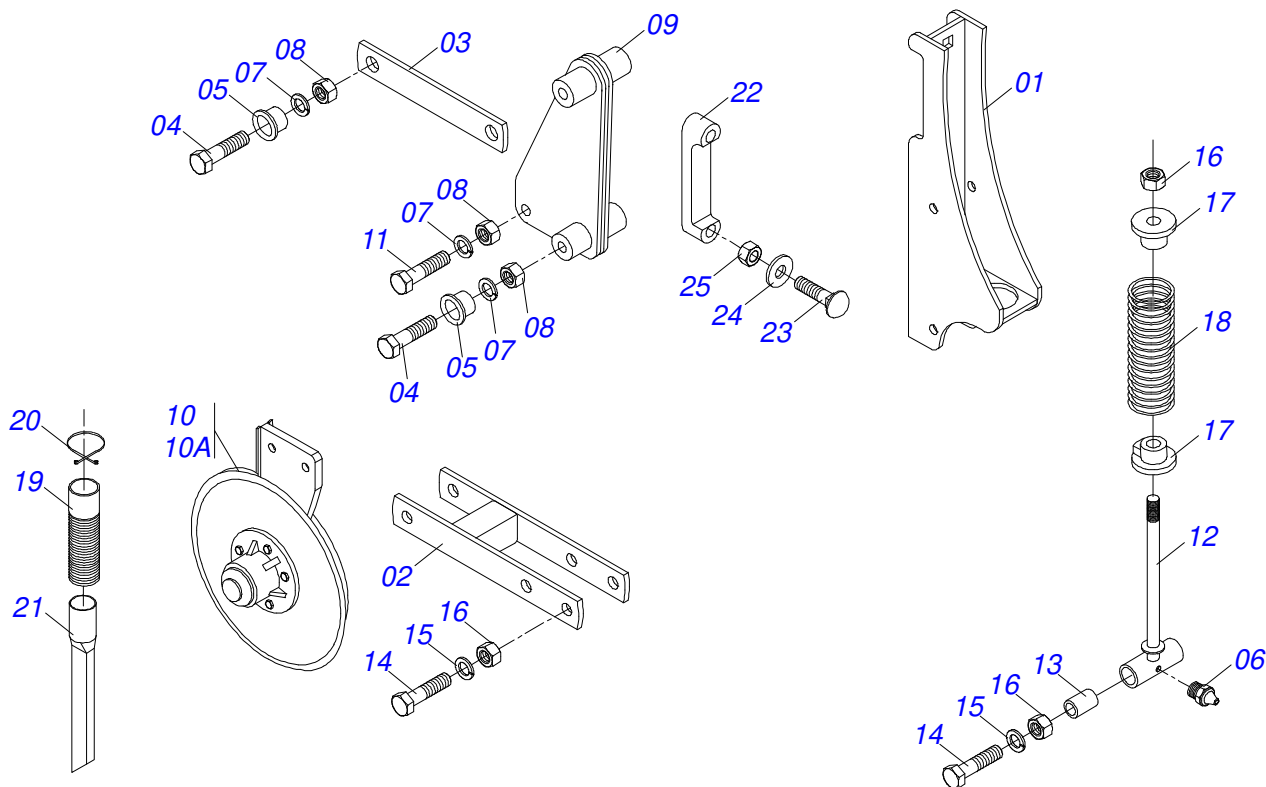


LEFT/ RIGHT CARRYING-WHEELS PIVOT

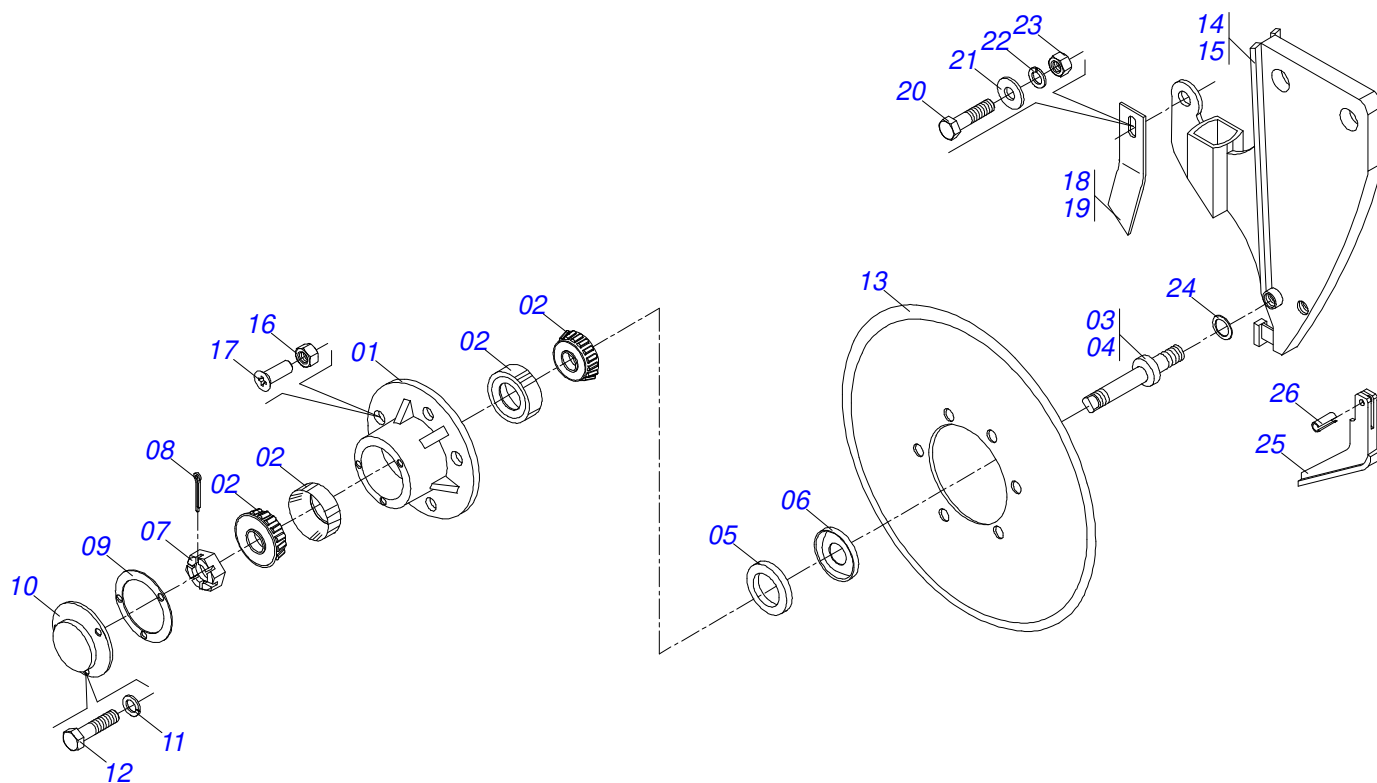
0909090439

Item	Code	Description	See page	DIR	ESQ
27	0521013442	FLAT WASHER		01	01
28	0521010530	COUPLING SHAFT		01	01
29	0503010140	1/8" X 3/4" COTTERPIN		01	01
30	0511063318	PIVOT TENSIONER CARRYING-WHEELS		01	01
31	0503010751	C3/8" X 1.1/4" HEX BOLT G.5		01	01
32	0501010984	FLAT WASHER		01	01
33	0503010025	3/8" SPRING WASHER		01	01
34	0503010026	3/8" NUT		01	01
35	0503030402	PULLEY		01	01
36	0503010302	501019 SEAL RING		01	01
37	0503010987	2050 CHAIN X 38 LINK + REDUCTION		01	01
38	0503012797	2050 CHAIN X 57 LINK + MENDING		01	01
39	0531013819	CHAIN PROTECTION COVER		01	01
40	0503010209	3/8" UNC BUTTERFLY NUT		02	02
41	0501018466	FLAT WASHER		04	04
42	0503011081	6207 2RS BEARING		02	02

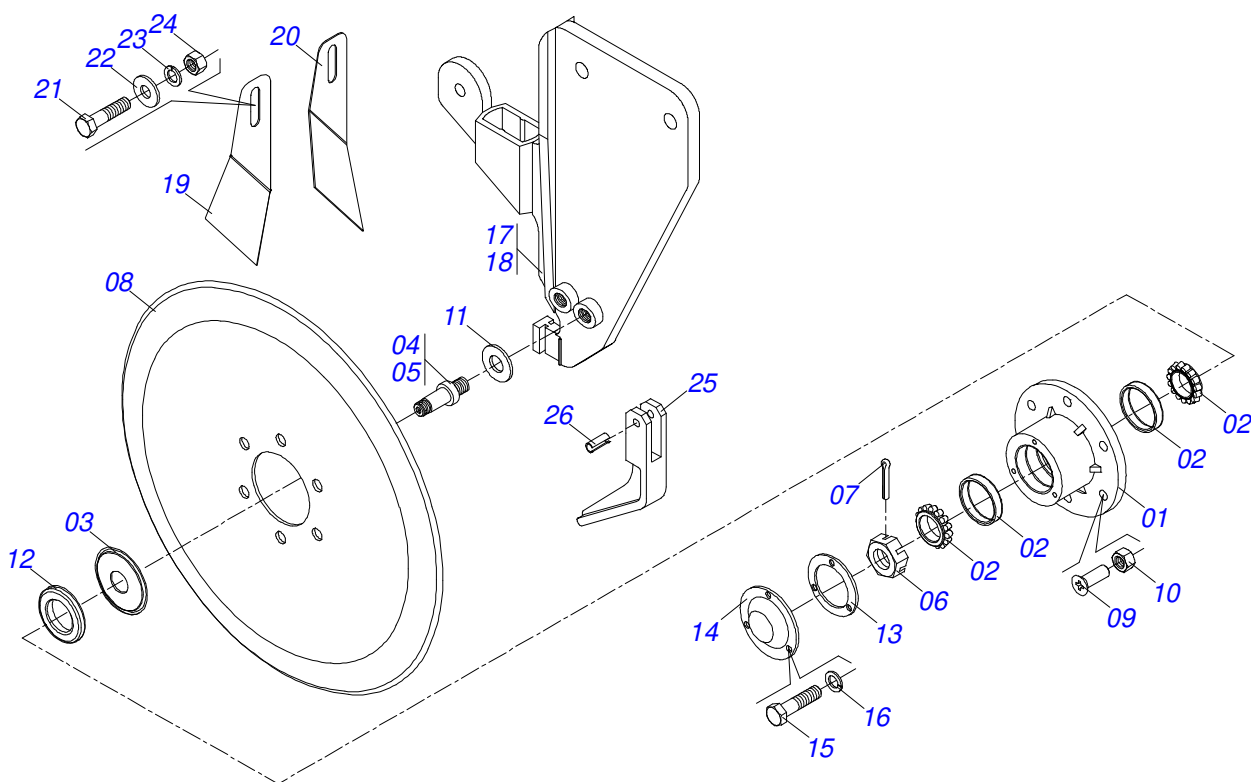
LEFT /RIGHT ROW ASSY



Item	Code	Description	See page	DIR ESQ
00	0501049293	RIGHT ROW ASSY		01 00
00A	0501049294	LEFT ROW ASSY		00 01
01	0501069942	PARALG FIXER FRONTAL		01 01
02	0501069946	PARALG FIXER LOWER		01 01
03	0521013241	SMALLER BAR		02 02
04	0501013867	BOLT 5/8 UNC X 6 CS G.5 ZN		04 04
05	0531011348	SLEEVE ARTICULATION PARALELOGRAMO		08 08
06	0503010002	1800 GREASE FITTING		01 01
07	0503010027	5/8" SPRING WASHER		05 05
08	0503010013	5/8" NUT		05 05
09	0501069947	DDD FIXER REAR		01 01
10	0501052112	15 X 15 RIG FERT UNAL DOUB-DISC ASSY		00 01
10A	0501052113	15 X 15 LEFT FERT UNAL DOUB-DISC ASSY		01 00
11	0501010100	SCREW 5/8 UNC X 2 CS G.5 ZN		01 01
12	0501069948	SPRING REGULATOR		01 01
13	0521012715	0.8" X 1" X 3.9" SLEEVE		01 01
14	0503011198	C3/4" X 6" SCREW		01 01
15	0503010023	3/4" SPRING WASHER		01 01
16	0503010014	3/4" NUT		02 02
17	0502020393	SPRING UPPER SUPPORT		02 02
18	0503031450	2.7" X 9.2" X 0.03" SPRING		01 01
19	0503030408	2X2X390 HOSE		01 01
20	0503031076	2" HOSE CLAMP		02 02
21	0503030520	SEED SOCKET		01 01
22	0502011558	FASTENER		01 01
23	0503012109	3/4" X 6-1/4" BOLT		02 02
24	0511017305	FLAT WASHER		02 02
25	0503011255	3/4" LOCK NUT		02 02

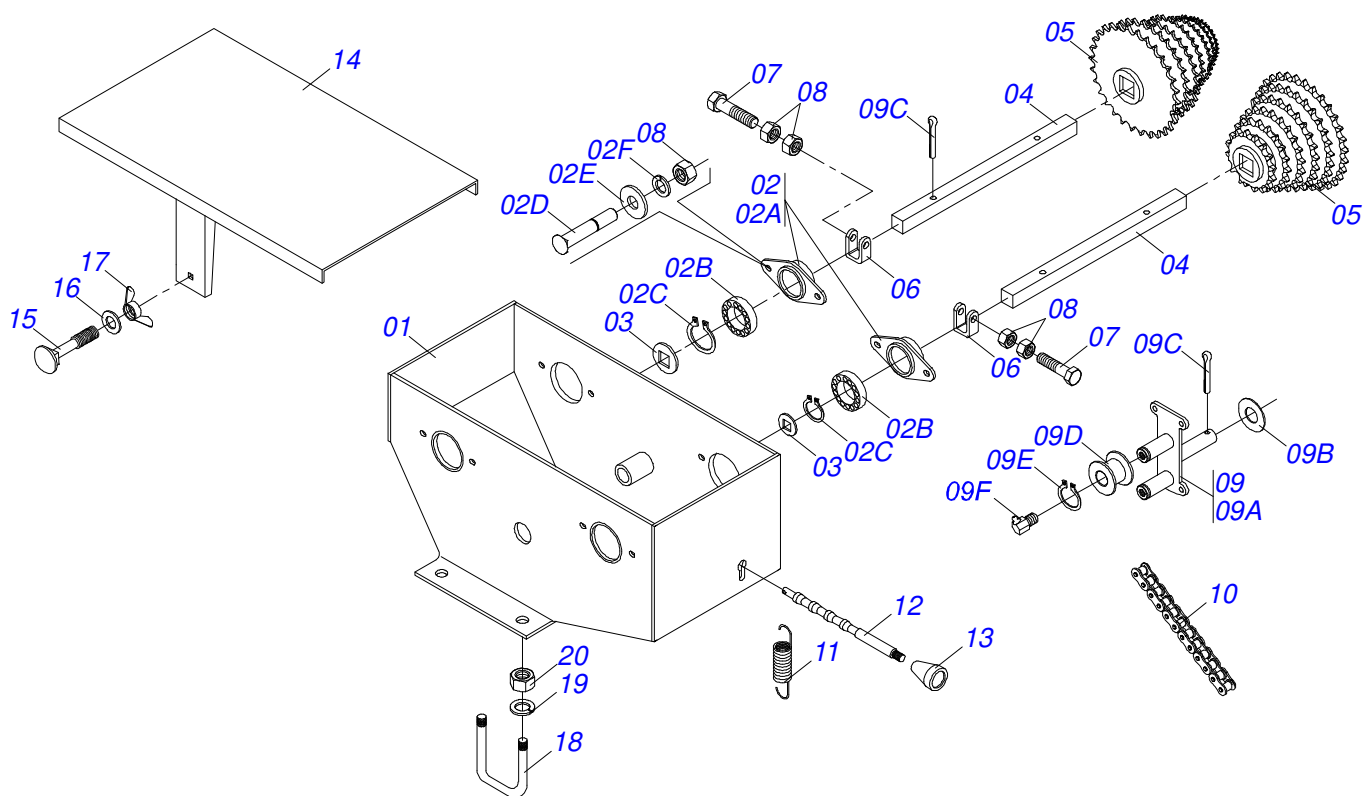


Item	Code	Description	See page	DIR ESQ
00	0501052112	15 X 15 RIG FERT UNAL DOUB-DISC ASSY	01	00
00A	0501052113	15 X 15 LEFT FERT UNAL DOUB-DISC ASSY	00	01
01	0502011930	DOUBLE DISC COULTER BOX	02	02
02	0503010598	30204 BALL BEARING	04	04
03	0521019154	RIGHT DOUB DISC HUB	01	01
04	0521019148	LEFT DOUBLE DISC HUB	01	01
05	0503011112	SEAL 02376-BRG	02	02
06	0511011927	DUST CLOAK	02	02
07	0503030282	3/4" CASTLE NUT	02	02
08	0503010140	1/8" X 3/4" COTTERPIN	02	02
09	0503030757	2.9" X 2" X 0.02" JOINT	02	02
10	0521019178	COVER DEPTH	02	02
11	0503010143	1/4" SPRING WASHER	06	06
12	0503010519	1/4" X 5/8" BOLT	06	06
13	0603022042	13" X 0.12" PLAIN COULTER BLADE	02	02
14	0502011565	RIGHT SUPPORT UNAL DOUB-DISC 15X15	01	00
15	0502011566	LEFT SOPPORT UNAL DOUB-DISC 15 X 15	00	01
16	0503010337	5/16" NUT	12	12
17	0503010546	5/16" X 7/8" BOLT	12	12
18	0501017541	RIGHT DOUBLE DISC SCRAPER	01	01
19	0501017542	LH DOUBLE DISC SCRAPER	01	01
20	0503010751	C3/8" X 1.1/4" HEX BOLT G.5	01	01
21	0501010984	FLAT WASHER	02	02
22	0503010025	3/8" SPRING WASHER	01	01
23	0503010026	3/8" NUT	01	01
24	0511015098	FLAT WASHER	02	02
25	0502070062	SCRAPER	01	01
26	0503011402	0.2" X 0.8" SPRING PIN	01	01



Item	Code	Description	See page	DIR ESQ
00	0501052112	15 X 15 RIG FERT UNAL DOUB-DISC ASSY	01	00
00A	0501052113	15 X 15 LEFT FERT UNAL DOUB-DISC ASSY	00	01
01	0502011930	DOUBLE DISC COULTER BOX	02	02
02	0503010598	30204 BALL BEARING	04	04
03	0503011112	SEAL 02376-BRG	02	02
04	0521019154	RIGHT DOUB DISC HUB	01	01
05	0521019148	LEFT DOUBLE DISC HUB	01	01
06	0503030282	3/4" CASTLE NUT	02	02
07	0503010257	1/8" X 1" COTTERPIN	02	02
08	0603022042	13" X 0.12" PLAIN COULTER BLADE	02	02
09	0503010546	5/16" X 7/8" BOLT	12	12
10	0503010337	5/16" NUT	12	12
11	0511015098	FLAT WASHER	02	02
12	0511011927	DUST CLOAK	02	02
13	0503030757	2.9" X 2" X 0.02" JOINT	02	02
14	0521019178	COVER DEPTH	02	02
15	0503014729	1/4" UNF X 1/2" BOLT	06	06
16	0503011441	SPRING WASHER	06	06
17	0502011565	RIGHT SUPPORT UNAL DOUB-DISC 15X15	01	00
18	0502011566	LEFT SOPPORT UNAL DOUB-DISC 15 X 15	00	01
19	0501017542	LH DOUBLE DISC SCRAPER	01	01
20	0501017541	RIGHT DOUBLE DISC SCRAPER	01	01
21	0503010751	C3/8" X 1.1/4" HEX BOLT G.5	01	01
22	0501010984	FLAT WASHER	02	02
23	0503011443	3/8" SPRING WASHER	01	01
24	0503010026	3/8" NUT	01	01
25	0502070062	SCRAPER	01	01
26	0503011402	0.2" X 0.8" SPRING PIN	01	01

GEAR BOX



Item	Code	Description	See page	QT
01	0501069952	SPEED BOX VARIADOR		01
02	0501053361	SPEED DOUB BEARING VARIADOR		04
02A	0502011987	DOUBLE HOUSING BEARING		04
02B	0503011410	ROLLER BEARING		08
02C	0503011105	SEAL RING		04
02D	0503012163	5/16" X 1-1/2" BOLT		08
02E	0501010694	8.5 X 18 X 1.5 FLAT WASHER		08
02F	0503010179	5/16" ZN SPRING WASHER		08
03	0511017136	FLAT WASHER		04
04	0521013283	SPEED AXLE TRANSMISSION		02
05	0501069700	FERTILIZER GEAR ASSY		02
06	0521013222	U PULLER		04
07	0503010397	5/16" X 1-3/4" BOLT		04
08	0503010337	5/16" NUT		16
09	0501053529	CHAIN TENSIONER ASSY		01
09A	0501069987	SPEED CHAIN TENSIONER ASSY		01
09B	0511015098	FLAT WASHER		03
09C	0503010571	1/4" X 1.1/2 COTTERPIN		05
09D	0503030402	PULLEY		02
09E	0503010302	501019 SEAL RING		02
09F	0503010004	1890 GREASE FITTING		02
10	0503012143	78 CHAIN X 40-1 LINK + REDUCTION		01
11	0503030093	TRACTION SPRING		01
12	0521013282	RECAMBIO LEVER		01
13	0503030878	LEVER CRANK		01
14	0501069980	SPEED COVER BOX		01
15	0503011953	5/16" X 1" BOLT		02
16	0521013303	WASHER		02
17	0503010499	5/16" UNC BUTTERFLY NUT		02
18	0521013406	9/16"UNC X 7.6" X 4.5" FASTENER		02
19	0503010749	9/16" SPRING WASHER		04

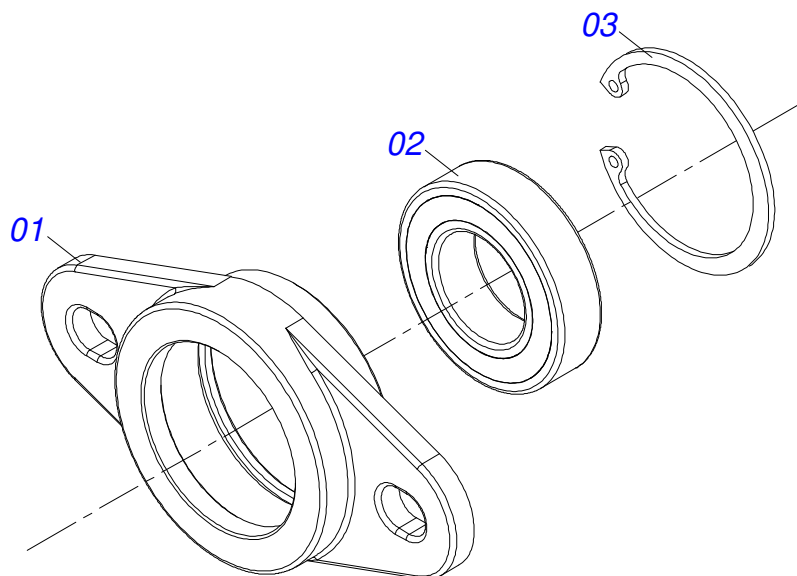


GEAR BOX

0501048458

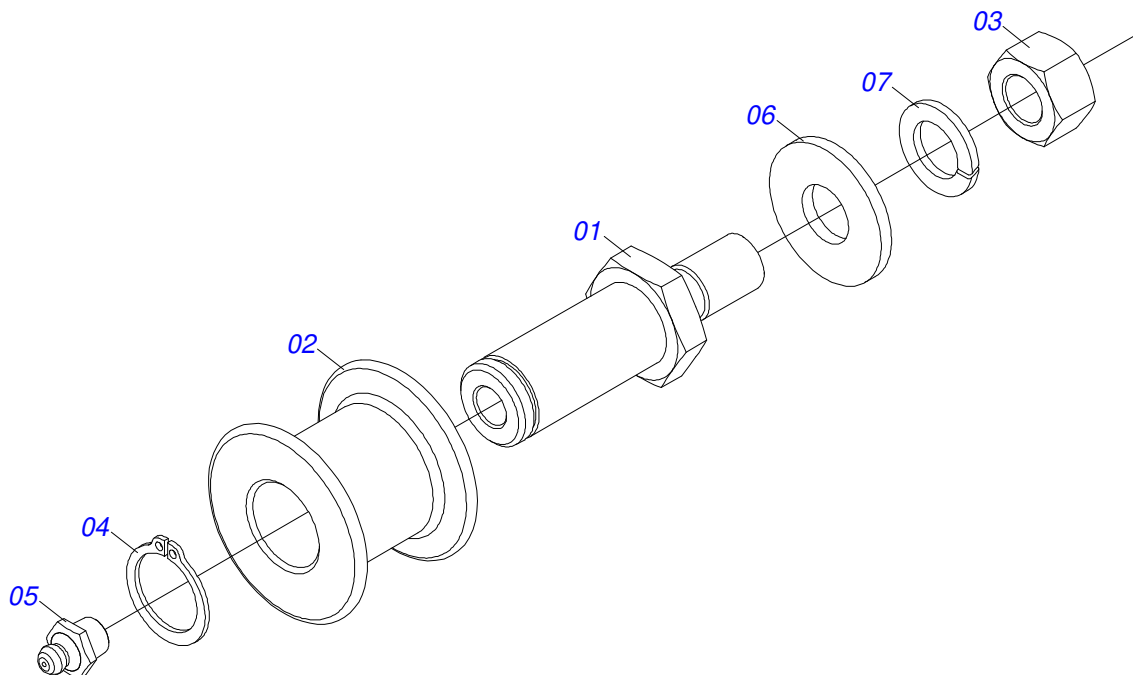
Item	Code	Description	See page	QT
20	0503010132	9/16" NUT		04

BEARING OF THE GEAR BOX ASSY



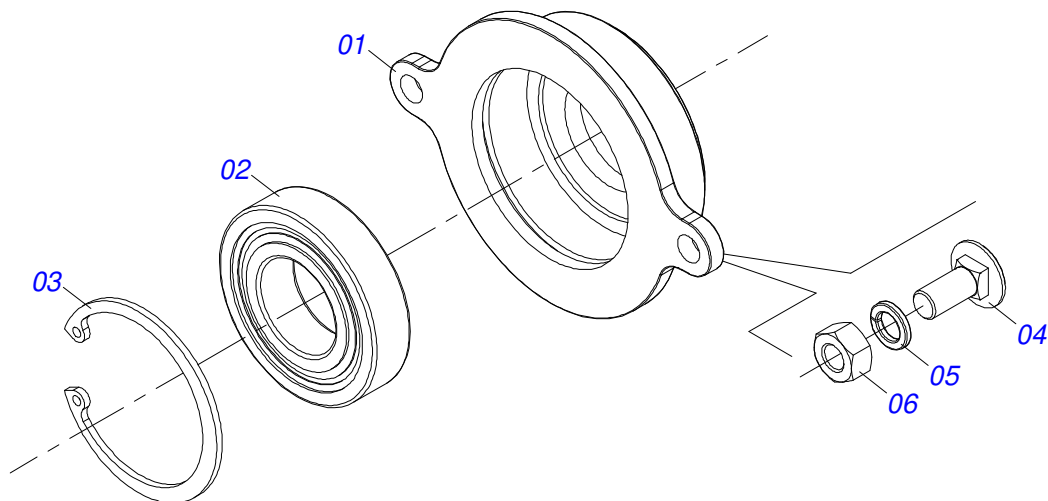
Item	Code	Description	See page	QT
001	0502011697	BEARING OF THE GEAR BOX		01
002	0503011410	ROLLER BEARING		01
003	0503011105	SEAL RING		01

CHAIN TENSIONER ASSY



Item	Code	Description	See page	QT
01	0521012529	CHAIN TIGHTENER AXLE		01
02	0503030402	PULLEY		01
03	0503010060	1/2" NUT		01
04	0503010302	501019 SEAL RING		01
05	0503010002	1800 GREASE FITTING		01
06	0511017302	FLAT WASHER		02
07	0503010019	1/2" SPRING WASHER		01

AXLE BEARING FIXER ASSY



Item	Code	Description	See page	QT
01	0511063321	AXLE BEARING FIXACTION		01
02	0503011081	6207 2RS BEARING		01
03	0503010370	502072 CLAMPING RING (FOR AXLE)		01
04	0503011952	5/16" X 3/4" BOLT		02
05	0503010179	5/16" ZN SPRING WASHER		02
06	0503010337	5/16" NUT		02



MARCHESAN

Technical Publications | Elaboration and Revision

ALESSANDRA PATRICIA KAWAHARA CARRILI

www.marchesan.com.br

