

CULTIVATORS

Code:

0501091241

Product:

CE 7 A 19 E



Series:

S-1089

Revision:

00

Date Revision:

MAIO/2016



PRODUCTS

Code	Description	
0109010007	CE 7 2,30 HC	S-1089
0109010001	CE 7 2,30 HL	S-1089
0109010013	CE 7 3,20 HL	S-1089
0109010008	CE 9 2,80 HC	S-1089
0109010002	CE 9 2,80 HL	S-1089
0109010022	CE 10 3,20 HC	S-1089
0109010021	CE 10 3,20 HL	S-1089
0109010020	CE 10 5,50 HL	S-1089
0109010009	CE 11 3,20 HC	S-1089
0109010003	CE 11 3,20 HL	S-1089
0109010010	CE 13 3,70 HC	S-1089
0109010004	CE 13 3,70 HL	S-1089
0109010011	CE 15 4,20 HC	S-1089
0109010005	CE 15 4,20 HL	S-1089
0109010019	CE 16 4,60 HC	S-1089
0109010018	CE 16 4,60 HL	S-1089
0109010017	CE 19 5,50 HC	S-1089
0109010016	CE 19 5,50 HL	S-1089

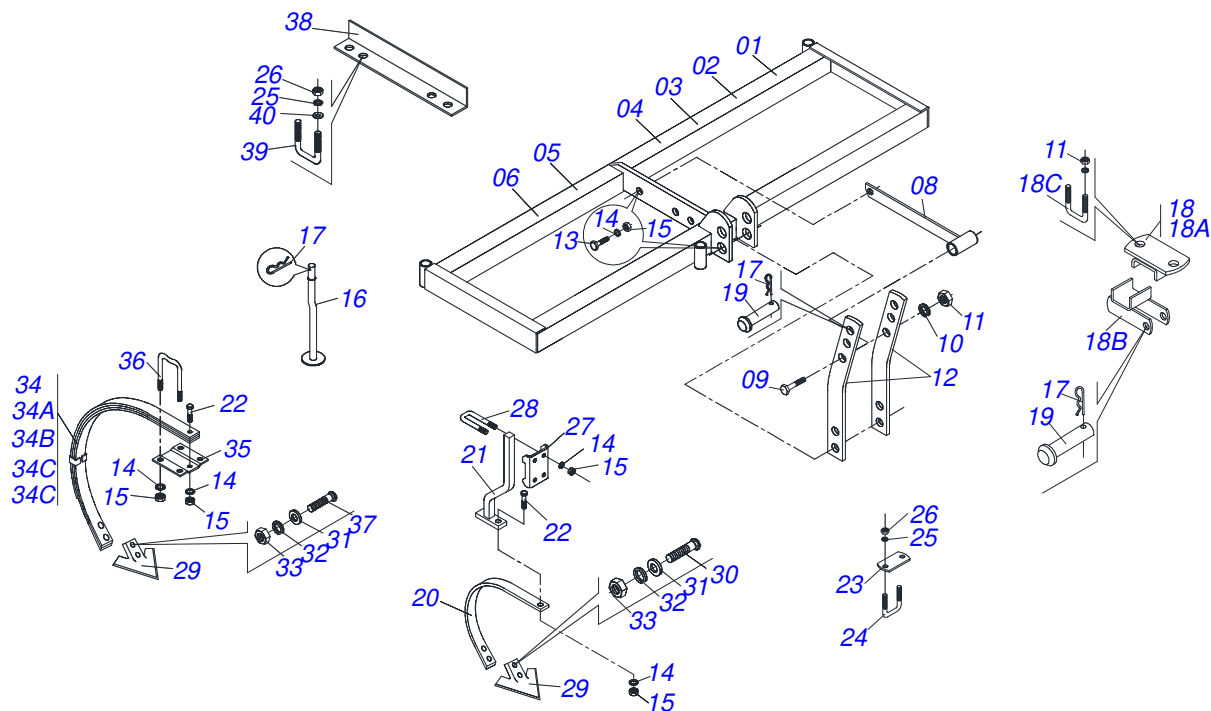
ATTENTION: IMPORTANT

Marchesan S.A. reserves the right to improve and / or modify the technical features of its products, without obligation to do the same with those products already sold and without prior knowledge of the dealer or the consumer.



INDEX

0909090414	ROW CROP CULTIVATOR-RIGID SHANK	1
------------	---------------------------------	-------	---



Item	Code	Description	See page	07	09	10	11	13	15	16	19
01	0501061036	2300 FRAME		01	00	00	00	00	00	00	00
02	0501060827	2800 FRAME		00	01	00	00	00	00	00	00
03	0501060828	3200 FRAME		00	01	01	00	00	00	00	00
04	0501062520	3700 FRAME		00	00	00	00	01	00	00	00
05	0501061098	4200 FRAME		00	00	00	00	00	01	00	00
06	0501066593	4600 FRAME		00	00	00	00	00	00	01	00
07	0501066585	5500 FRAME		00	00	00	00	00	00	00	01
08	0501064601	ATTACHMENT BAR		01	01	01	01	01	01	01	01
09	0501010216	3/4" X 4-1/2" BOLT		01	01	01	01	01	01	01	01
10	0503010023	3/4" SPRING WASHER		05	05	05	05	05	05	05	05
11	0503010014	3/4" NUT		05	05	05	05	05	05	05	05
12	0501019055	CAB SEMI		02	02	02	02	02	02	02	02
13	0503010232	5/8" X 1.3/4" BOLT		05	05	05	05	05	05	05	05
14	0503010027	5/8" SPRING WASHER		40	50	55	60	70	80	69	100
15	0503010014	3/4" NUT		40	50	55	60	70	80	69	100
16	0501062412	PLOUGH SUPPORT 725		01	01	01	01	01	01	01	01
17	0503031035	HAIR PIN		04	04	04	04	04	04	04	04
18	0501040967	LOWER HITCH ASSY		02	02	02	02	02	02	02	02
18A	0501060838	STAPLE GUIDE		01	01	01	01	01	01	01	01
18B	0501060837	LOWER HITCH		01	01	01	01	01	01	01	01
18C	0521010657	3/4" FASTENER		01	01	01	01	01	01	01	01
19	0521010577	0.9" X 4.1" COUPLING SHAFT		03	03	03	03	03	03	03	03
20	0521010424	GUARD BRACKET		07	09	10	11	13	15	16	19
21	0501061933	TURNBUCLE SUPPORT		07	09	10	11	13	15	16	19
22	0501010100	SCREW 5/8 UNC X 2 CS G.5 ZN		07	09	10	11	13	15	16	19
23	0501011976	1/2" FASTENER PLATE		07	09	10	11	13	15	16	19
24	0521010654	1/2" FASTENER		07	09	10	11	13	15	16	19
25	0503010019	1/2" SPRING WASHER		17	18	20	22	26	30	48	54
26	0503010060	1/2" NUT		17	18	20	22	26	30	48	54
27	0501011978	5/8" FASTENER PLATE		07	09	10	11	13	15	16	19
28	0521010674	5/8" FASTENER		14	18	20	22	26	30	32	38



www.marchesan.com.br



Technical Publications | Elaboration and Revision
LUIZ CANDIDO