

**CULTIVATORS**

**CAC 7 A 19 E**

**Code:** 0501091240  
**Series:** S-0802  
**Revision:** 00  
**Date Revision:** OUTUBRO/2003

# PARTS CATALOGUE



**MARCHESAN**



# PRODUCTS

Code	Description
0109021090	CAC 6 HL X 2,30 2 CD S-0802
0109020698	CAC 7 HC X 2,30 2 CD S-0802
0109020913	CAC 7 HC X 2,30 2 CD C/MEX S-0802
0109020697	CAC 7 HC X 2,30 2 CS S-0802
0109020912	CAC 7 HC X 2,30 2 CS C/MEX S-0802
0109020724	CAC 7 HL X 2,30 2 CD S-0802
0109020939	CAC 7 HL X 2,30 2 CD C/MEX S-0802
0109020723	CAC 7 HL X 2,30 2 CS S-0802
0109020938	CAC 7 HL X 2,30 2 CS C/MEX S-0802
0109021050	CAC 7 HL X 2,80 2 CD S-0802
0109021057	CAC 7 HL X 2,80 2 CD C/MEX S-0802
0109021068	CAC 8 HL X 3,70 2 CD S-0802
0109020700	CAC 9 HC X 2,80 2 CD S-0802
0109020915	CAC 9 HC X 2,80 2 CD C/MEX S-0802
0109020699	CAC 9 HC X 2,80 2 CS S-0802
0109020914	CAC 9 HC X 2,80 2 CS C/MEX S-0802
0109020702	CAC 9 HC X 2,80 3 CD S-0802
0109020917	CAC 9 HC X 2,80 3 CD C/MEX S-0802
0109020701	CAC 9 HC X 2,80 3 CS S-0802
0109020916	CAC 9 HC X 2,80 3 CS C/MEX S-0802
0109020704	CAC 9 HC X 3,20 2 CD S-0802
0109020919	CAC 9 HC X 3,20 2 CD C/MEX S-0802
0109020703	CAC 9 HC X 3,20 2 CS S-0802
0109020918	CAC 9 HC X 3,20 2 CS C/MEX S-0802
0109020706	CAC 9 HC X 3,20 3 CD S-0802
0109020921	CAC 9 HC X 3,20 3 CD C/MEX S-0802
0109020705	CAC 9 HC X 3,20 3 CS S-0802
0109020920	CAC 9 HC X 3,20 3 CS C/MEX S-0802
0109020726	CAC 9 HL X 2,80 2 CD S-0802
0109020941	CAC 9 HL X 2,80 2 CD C/MEX S-0802

## ATTENTION: IMPORTANT

Marchesan S.A. reserves the right to improve and/or modify the technical features of its products, without obligation to do the same with those products already sold and without prior knowledge of the dealer or the customer. The photos are only illustrative.



# PRODUCTS

0109020725	CAC 9 HL X 2,80 2 CS	S-0802
0109020940	CAC 9 HL X 2,80 2 CS C/MEX	S-0802
0109020728	CAC 9 HL X 2,80 3 CD	S-0802
0109020943	CAC 9 HL X 2,80 3 CD C/MEX	S-0802
0109020727	CAC 9 HL X 2,80 3 CS	S-0802
0109020942	CAC 9 HL X 2,80 3 CS C/MEX	S-0802
0109020730	CAC 9 HL X 3,20 2 CD	S-0802
0109020945	CAC 9 HL X 3,20 2 CD C/MEX	S-0802
0109020729	CAC 9 HL X 3,20 2 CS	S-0802
0109020944	CAC 9 HL X 3,20 2 CS C/MEX	S-0802
0109020732	CAC 9 HL X 3,20 3 CD	S-0802
0109020947	CAC 9 HL X 3,20 3 CD C/MEX	S-0802
0109020093	CAC 9 HL X 3,20 3 CD/SF	S-1089
0109020731	CAC 9 HL X 3,20 3 CS	S-0802
0109020946	CAC 9 HL X 3,20 3 CS C/MEX	S-0802
0109021060	CAC 9 HL X 3,70 3 CD C/MEX	S-0802
0109020708	CAC 10 HC X 3,20 3 CD	S-0802
0109020923	CAC 10 HC X 3,20 3 CD C/MEX	S-0802
0109020707	CAC 10 HC X 3,20 3 CS	S-0802
0109020922	CAC 10 HC X 3,20 3 CS C/MEX	S-0802
0109020734	CAC 10 HL X 3,20 3 CD	S-0802
0109020949	CAC 10 HL X 3,20 3 CD C/MEX	S-0802
0109020733	CAC 10 HL X 3,20 3 CS	S-0802
0109020948	CAC 10 HL X 3,20 3 CS C/MEX	S-0802
0109021134	CAC 10 HL X 3,70 3 CD	S-0802
0109021127	CAC 10 HL X 3,70 3 CS	S-0802
0109020710	CAC 13 HC X 3,70 2 CD	S-0802
0109020925	CAC 13 HC X 3,70 2 CD C/MEX	S-0802
0109020709	CAC 13 HC X 3,70 2 CS	S-0802
0109020924	CAC 13 HC X 3,70 2 CS C/MEX	S-0802
0109020712	CAC 13 HC X 3,70 4 CD	S-0802

## ATTENTION: IMPORTANT

Marchesan S.A. reserves the right to improve and/or modify the technical features of its products, without obligation to do the same with those products already sold and without prior knowledge of the dealer or the customer. The photos are only illustrative.



# PRODUCTS

0109020927	CAC 13 HC X 3,70 4 CD C/MEX S-0802
0109020711	CAC 13 HC X 3,70 4 CS S-0802
0109020926	CAC 13 HC X 3,70 4 CS C/MEX S-0802
0109020714	CAC 13 HC X 4,20 2 CD S-0802
0109020929	CAC 13 HC X 4,20 2 CD C/MEX S-0802
0109020713	CAC 13 HC X 4,20 2 CS S-0802
0109020928	CAC 13 HC X 4,20 2 CS C/MEX S-0802
0109020716	CAC 13 HC X 4,20 4 CD S-0802
0109020931	CAC 13 HC X 4,20 4 CD C/MEX S-0802
0109020715	CAC 13 HC X 4,20 4 CS S-0802
0109020930	CAC 13 HC X 4,20 4 CS C/MEX S-0802
0109021067	CAC 13 HL X 3,20 2 CD S-0802
0109020736	CAC 13 HL X 3,70 2 CD S-0802
0109020951	CAC 13 HL X 3,70 2 CD C/MEX S-0802
0109020735	CAC 13 HL X 3,70 2 CS S-0802
0109020950	CAC 13 HL X 3,70 2 CS C/MEX S-0802
0109021098	CAC 13 HL X 3,70 3 CD C/MEX S-0802
0109020738	CAC 13 HL X 3,70 4 CD S-0802
0109020953	CAC 13 HL X 3,70 4 CD C/MEX S-0802
0109020737	CAC 13 HL X 3,70 4 CS S-0802
0109020952	CAC 13 HL X 3,70 4 CS C/MEX S-0802
0109020740	CAC 13 HL X 4,20 2 CD S-0802
0109020955	CAC 13 HL X 4,20 2 CD C/MEX S-0802
0109020739	CAC 13 HL X 4,20 2 CS S-0802
0109020954	CAC 13 HL X 4,20 2 CS C/MEX S-0802
0109020742	CAC 13 HL X 4,20 4 CD S-0802
0109020957	CAC 13 HL X 4,20 4 CD C/MEX S-0802
0109020741	CAC 13 HL X 4,20 4 CS S-0802
0109020956	CAC 13 HL X 4,20 4 CS C/MEX S-0802
0109021141	CAC 15 HL X 4,20 3CD C/MEX S-0802
0109021146	CAC 15 HL X 4,20 4 CD C/MEX S-0802

## ATTENTION: IMPORTANT

Marchesan S.A. reserves the right to improve and/or modify the technical features of its products, without obligation to do the same with those products already sold and without prior knowledge of the dealer or the customer. The photos are only illustrative.



# PRODUCTS

0109021142	CAC 15 HL X 4,60 5 CD C/MEX S-0802
0109021035	CAC 16 HC X 4,60 3 CD S-0802
0109020718	CAC 16 HC X 4,60 5 CD S-0802
0109020933	CAC 16 HC X 4,60 5 CD C/MEX S-0802
0109021108	CAC 16 HL X 4,20 3 CD C/MEX S-0802
0109020744	CAC 16 HL X 4,60 5 CD S-0802
0109020959	CAC 16 HL X 4,60 5 CD C/MEX S-0802
0109020743	CAC 16 HL X 4,60 5 CS S-0802
0109020958	CAC 16 HL X 4,60 5 CS C/MEX S-0802
0109020720	CAC 19 HC X 5,50 3 CD S-0802
0109020935	CAC 19 HC X 5,50 3 CD C/MEX S-0802
0109020719	CAC 19 HC X 5,50 3 CS S-0802
0109020934	CAC 19 HC X 5,50 3 CS C/MEX S-0802
0109020722	CAC 19 HC X 5,50 6 CD S-0802
0109020937	CAC 19 HC X 5,50 6 CD C/MEX S-0802
0109020721	CAC 19 HC X 5,50 6 CS S-0802
0109020936	CAC 19 HC X 5,50 6 CS C/MEX S-0802
0109020746	CAC 19 HL X 5,50 3 CD S-0802
0109020961	CAC 19 HL X 5,50 3 CD C/MEX S-0802
0109020745	CAC 19 HL X 5,50 3 CS S-0802
0109020960	CAC 19 HL X 5,50 3 CS C/MEX S-0802
0109020748	CAC 19 HL X 5,50 6 CD S-0802
0109020963	CAC 19 HL X 5,50 6 CD C/MEX S-0802
0109020747	CAC 19 HL X 5,50 6 CS S-0802
0109020962	CAC 19 HL X 5,50 6 CS C/MEX S-0802
0109021082	CAC 2,30 2 CD/SF S/HAST C/MEX S-802
0109020965	CAC 2,30 2 CD/SF S/HASTES S-0802
0109020991	CAC 2,30 2 CS/SF S/HAS C/MEX S-1089
0109020964	CAC 2,30 2 CS/SF S/HASTES S-0802
0109020967	CAC 2,80 2 CD/SF S/HASTES S-0802
0109020966	CAC 2,80 2 CS/SF S/HASTES S-0802

## ATTENTION: IMPORTANT

Marchesan S.A. reserves the right to improve and/or modify the technical features of its products, without obligation to do the same with those products already sold and without prior knowledge of the dealer or the customer. The photos are only illustrative.



# PRODUCTS

0109020993	CAC 2,80 3 CD/SF S/HASTE C/MX S1089
0109020969	CAC 2,80 3 CD/SF S/HASTES S-0802
0109020968	CAC 2,80 3 CS/SF S/HASTES S-0802
0109021061	CAC 3,20 2 CD S/HASTE S-0802
0109020971	CAC 3,20 2 CD/SF S/HASTES S-0802
0109020970	CAC 3,20 2 CS/SF S/HASTES S-0802
0109020973	CAC 3,20 3 CD/SF S/HASTES S-0802
0109020972	CAC 3,20 3 CS/SF S/HASTES S-0802
0109020975	CAC 3,70 2 CD/SF S/HASTES S-0802
0109020974	CAC 3,70 2 CS/SF S/HASTES S-0802
0109020977	CAC 3,70 4 CD/SF S/HASTES S-0802
0109020976	CAC 3,70 4 CS/SF S/HASTES S-0802
0109021154	CAC 4 HL X 2,80 2 CS S-0802
0109020979	CAC 4,20 2 CD/SF S/HASTES S-0802
0109020978	CAC 4,20 2 CS/SF S/HASTES S-0802
0109021152	CAC 4,20 4 CD/SF S/HAST C/MEX S0802
0109020981	CAC 4,20 4 CD/SF S/HASTES S-0802
0109020980	CAC 4,20 4 CS/SF S/HASTES S-0802
0109020983	CAC 4,60 5 CD/SF S/HASTES S-0802
0109020988	CAC 4,60 5 CD/SF S/HASTES C/MEX
0109020982	CAC 4,60 5 CS/SF S/HASTES S-0802
0109020985	CAC 5,50 3 CD/SF S/HASTES S-0802
0109020984	CAC 5,50 3 CS/SF S/HASTES S-0802
0109021093	CAC 5,50 5 CD S/HASTES C/MEX S-802
0109021092	CAC 5,50 5 CD/SF S/HASTES S-0802
0109020987	CAC 5,50 6 CD/SF S/HASTES S-0802
0109020293	CAC 5,50 6 CD/SF S/HASTES C/MEX
0109020986	CAC 5,50 6 CS/SF S/HASTES S-0802
0109021099	CAC 5,50 7 CD/SF S/HASTES S-0802
0109021145	CAC 9HC X 3,70 4CD S-0802

## ATTENTION: IMPORTANT

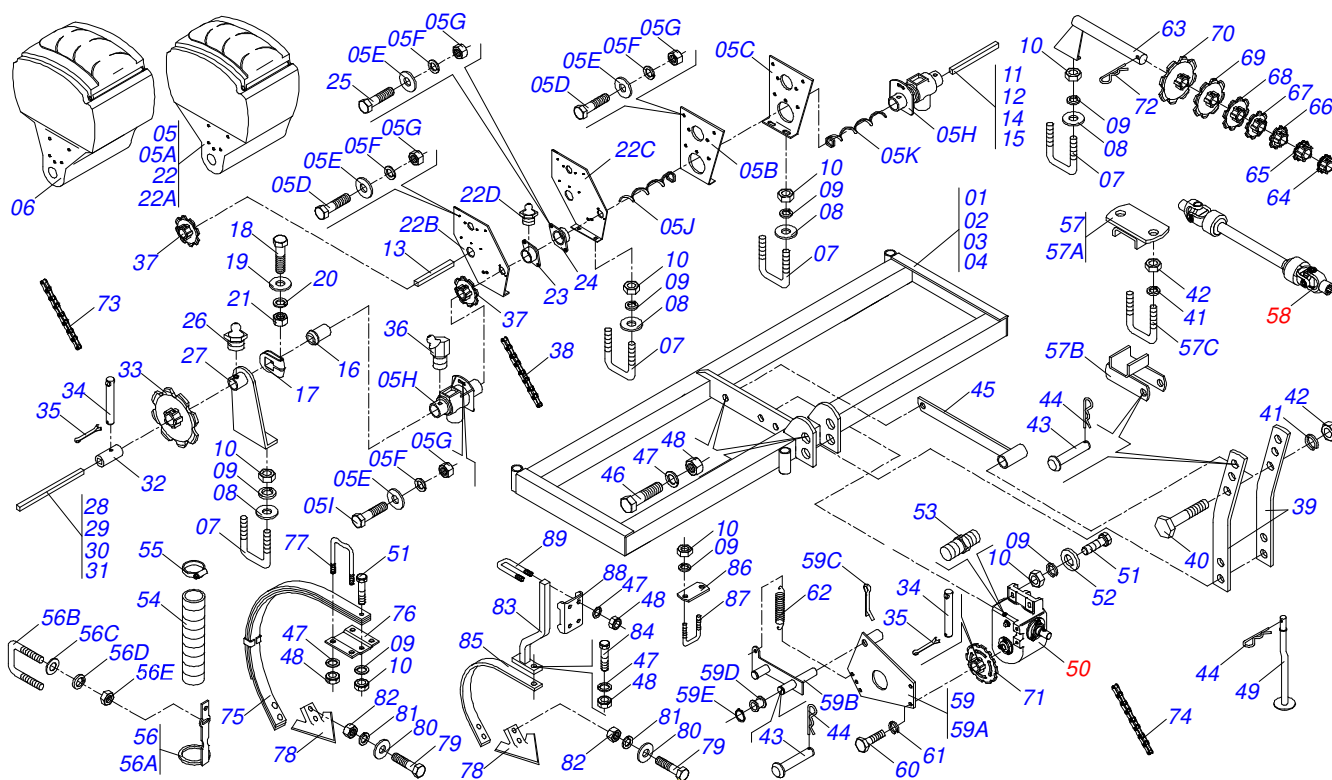
Marchesan S.A. reserves the right to improve and/or modify the technical features of its products, without obligation to do the same with those products already sold and without prior knowledge of the dealer or the customer. The photos are only illustrative.



**MARCHESAN**

# INDEX

0909090410	ROW CROP CULT RIGID SHANK AND FERT BOX	.....	1
0909090412	ROW CROP CULT RIGID SHANK AND FERT BOX	.....	2
0909094682	FRAME 13	.....	3
0501042390	DRIVE SHAFT	.....	4
0511040626	REDUCTION	.....	5
0909090476	MEXEDOR ASSY	.....	6



Item	Code	Description	See page	7/2	9/2	9/3	10/3	13/2	13/4
01	0501061036	2300 FRAME		01	00	00	00	00	00
02	0501060827	2800 FRAME		00	01	01	00	00	00
03	0501060828	3200 FRAME		00	01	01	01	00	00
04	0501062520	3700 FRAME		00	00	00	00	01	01
05	0501055052	SUPPORTE BOX FERTILIZER SIMPLE		02	02	03	03	02	04
05A	0503060644	COVER GREEN BOX FERTILIZER YELLOW		01	01	01	01	01	01
05B	0511013459	BOX SUPPORT RIGHT		01	01	01	01	01	01
05C	0511013460	BOX SUPPORT LEFT		01	01	01	01	01	01
05D	0503010371	5/16" X 1" BOLT		16	16	24	24	16	32
05E	0501011517	FLAT WASHER		20	20	28	28	20	36
05F	0503010179	LOCK WASHER 5/16 ZN 1K01528		20	20	28	28	20	36
05G	0503010337	5/16" NUT		20	20	28	28	20	36
05H	0501110141	SOCKET		04	04	06	06	04	08
05I	0503010421	5/16" X 1-1/2" BOLT		04	04	06	06	04	08
05J	0503031171	RIGHT HELICAL CONDUTOR		02	02	03	03	02	04
05K	0503031172	LEFT HELICAL CONDUTOR		02	02	03	03	02	04
06	0501055053	SUPPORTE BOX FERTILIZER DOBLE		02	02	03	03	02	04
07	0521010656	1/2" X 4.3" X 3.3" FASTENER		04	04	06	06	04	08
08	0511017302	FLAT WASHER 13,50 X 32,50 X 3,0 ZN		16	16	36	36	16	64
09	0503010019	1/2" SPRING WASHER		18	18	38	38	18	66
10	0503010060	1/2 UNC G.5 ZN HEX NUT		18	18	38	38	18	66
11	0501018653	3/4" X 46" SQUARE SHAFT		01	00	00	00	00	00
12	0501018700	3/4" X 58" SQUARE SHAFT		00	01	01	00	00	00
13	0511014218	3/4" X 28.7" SQUARE SHAFT		00	00	01	01	00	00
14	0501018695	3/4" X 63" SQUARE SHAFT		00	01	01	01	00	00
15	0501018697	3/4" X 69" SQUARE SHAFT		00	00	00	00	01	01
16	0502010671	CENTRAL BEARING		04	04	08	08	04	08
17	0521010691	AXLE FASTENER		04	04	08	08	04	08
18	0503010373	SCREW 1/4 UNC X 2 CS G.2 ZN		04	04	08	08	04	08
19	0501010694	FLAT WASHER		04	04	08	08	04	08
20	0503010143	1/4" SPRING WASHER		04	04	08	08	04	08





## ROW CROP CULT RIGID SHANK AND FERT BOX

0909090410

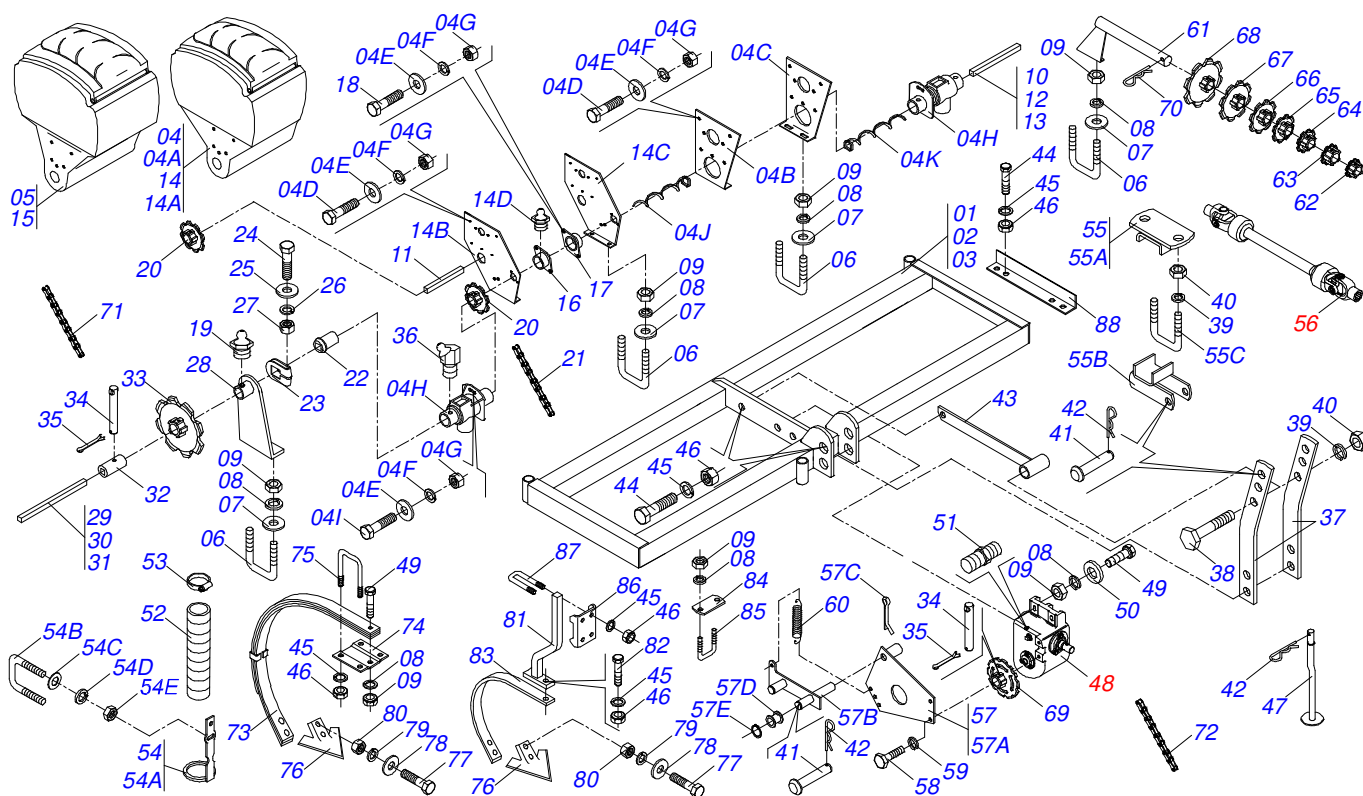
Item	Code	Description	See page	7/2	9/2	9/3	10/3	13/2	13/4
21	0503010144	1/4" NUT		04	04	08	08	04	08
22	0501055054	SUPPORTE ODD BOX FERTILIZER SIMPLE		00	00	01	01	00	00
22A	0503060644	COVER GREEN BOX FERTILIZER YELLOW		00	00	01	01	00	00
22B	0521012333	ODD FIXER RIGHT BOX		00	00	01	01	00	00
22C	0521012334	ODD FIXER LEFT BOX		00	00	01	01	00	00
22D	0503010691	1/4" GREASE FITTING		00	00	01	01	00	00
23	0511019411	RH BEARING		00	00	01	01	00	00
24	0521010715	LEFT BEARING		00	00	01	01	00	00
25	0503010365	BOLT 5/16 UNC X 1.1/4 C S G.5 ZN		00	00	04	04	00	00
26	0503010002	1800 GREASE FITTING		01	01	01	01	01	01
27	0501064419	CENTER BEARING SUPPORT		02	02	00	00	02	00
28	0501018654	3/4" X 41" SQUARE SHAFT		01	00	00	00	00	00
29	0501018699	3/4" X 52" SQUARE SHAFT		00	01	01	00	00	00
30	0501018696	3/4" X 59" SQUARE SHAFT		00	01	01	01	00	00
31	0501018698	3/4" X 72" SQUARE SHAFT		00	00	00	00	01	01
32	0502012007	SQUARE SLEEVE		01	01	01	01	01	01
33	0502011341	16Z P 1.2" RH 0.8" GEAR		01	01	01	01	01	01
34	0521010530	JUNCTION AXLE 6,80 X 60		02	02	02	02	02	02
35	0503010140	1/8" X 3/4" COTTERPIN		02	02	02	02	02	02
36	0503010003	1845 GREASE FITTING		04	04	06	06	04	08
37	0502010145	10Z P 1-1/4" X 3/4" WHEEL TOOTH		00	00	02	02	00	00
38	0503011263	2050 CHAIN X 22 LINK + REDUCTION		00	00	01	01	00	00
39	0501019055	CAB SEMI		02	02	02	02	02	02
40	0501010216	3/4 UNC X 4.1/2 C S G.5 ZN BOLT		01	01	01	01	01	01
41	0503010023	3/4" SPRING WASHER		01	01	01	01	01	01
42	0503010014	3/4" HEX NUT		01	01	01	01	01	01
43	0521010577	0.9" X 4.1" COUPLING SHAFT		03	03	03	03	03	03
44	0503031035	HITCH PIN CLIP		04	04	04	04	04	04
45	0501064601	ATTACHMENT BAR		01	01	01	01	01	01
46	0503010232	5/8" X 1.3/4" BOLT		05	05	05	05	05	05
47	0503010027	5/8 SPRING WASHER		05	05	05	05	05	05
48	0503010013	5/8 NUT		05	05	05	05	05	05
49	0501062412	PLOUGH SUPPORT 725		01	01	01	01	01	01
50	0511040626	REDUCTION	5	01	01	01	01	01	01
51	0503010734	1/2" X 2-1/2" BOLT		02	02	02	02	02	02
52	0521012451	FLAT WASHER		02	02	02	02	02	02
53	0503010325	VCA-118 VALVE		01	01	01	01	01	01
54	0501010769	2" X 31.5" HOSE ASSY		04	04	06	06	02	08
55	0503010246	CLAMP		04	04	06	06	04	08
56	0501041004	HOSE HOLDER ASSY		04	04	06	06	04	08
56A	0501060833	HOSE HOLDER		01	01	01	01	01	01
56B	0501010492	3/8" STAPLE		04	04	06	06	04	08
56C	0501011517	FLAT WASHER		08	08	12	12	08	16
56D	0503011443	3/8" SPRING WASHER		08	08	12	12	08	16
56E	0503010026	3/8" NUT		08	08	12	12	08	16
57	0501040967	LOWER HITCH ASSY		02	02	02	02	02	02
57A	0501060838	STAPLE GUIDE		01	01	01	01	01	01
57B	0501060837	LOWER HITCH		01	01	01	01	01	01
57C	0521010657	3/4" FASTENER		01	01	01	01	01	01
58	0501042390	DRIVE SHAFT	4	01	01	01	01	01	01
59	0511040821	CHAIN TENSIONER ASSY		01	01	01	01	01	01
59A	0511063363	CHAIN TENSIONER		01	01	01	01	01	01
59B	0501064329	CHAIN TENSIONER		01	01	01	01	01	01
59C	0503010257	1/8" X 1" COTTERPIN		01	01	01	01	01	01
59D	0503030402	PULLEY		01	01	01	01	01	01
59E	0503010302	501019 SEAL RING		01	01	01	01	01	01
60	0503010256	3/8" X 3/4" BOLT		02	02	02	02	02	02
61	0503010025	3/8 SPRING WASHER		02	02	02	02	02	02
62	0503030093	TRACTION SPRING		01	01	01	01	01	01



## ROW CROP CULT RIGID SHANK AND FERT BOX

0909090410

Item	Code	Description	See page	7/2	9/2	9/3	10/3	13/2	13/4
63	0511063272	GEAR SUPPORT		01	01	01	01	01	01
64	0502011306	6Z P 1.2" RH 1.4" GEAR		01	01	01	01	01	01
65	0502011314	8Z P 1.1/4" RH1.4" GEAR		01	01	01	01	01	01
66	0502011317	10Z P 1.2" RH 1.3/8" GEAR		01	01	01	01	01	01
67	0502011324	12Z P 1.2" RH 1.4" GEAR		01	01	01	01	01	01
68	0502011334	14Z P 1.2" RH 1.4" GEAR		01	01	01	01	01	01
69	0502011345	18Z P 1.25" RH1.3/8" GEAR		01	01	01	01	01	01
70	0502012150	20Z 1-1/4" X 1-3/8" GEAR		01	01	01	01	01	01
71	0502012151	22Z 1-1/4" X 1-3/8" GEAR		01	01	01	01	01	01
72	0503030168	HITCH PIN CLIP		01	01	01	01	01	01
73	0503011949	2050 CHAIN X 3 LINK + MENDING		01	01	01	01	01	01
74	0503010876	2050 CHAIN X 45 LINK + MENDING		01	01	01	01	01	01
75	0501040536	BUNCH SPRING		07	09	09	10	13	13
76	0501010497	5/8" SMALLER STAPLE GUIDE		07	09	09	10	13	13
77	0521010670	5/8" FASTENER		14	18	18	20	26	26
78	0621010002	CULTIVATOR HOES		07	09	09	10	13	13
79	0501011963	7/16" X 1-1/2" BOLT		14	18	18	20	26	26
80	0501012803	FLAT WASHER		14	18	18	20	26	26
81	0503010180	7/16" SPRING WASHER		14	18	18	20	26	26
82	0503010244	7/16" NUT		14	18	18	20	26	26
83	0501061933	TURNBUCLE SUPPORT		07	09	09	10	13	13
84	0501010100	SCREW 5/8 UNC X 2 CS G.5 ZN		07	09	09	10	13	13
85	0501011974	TURNBUCLE		07	09	09	10	13	13
86	0501011976	1/2" FASTENER PLATE		07	09	09	10	13	13
87	0521010654	1/2" FASTENER		07	09	09	10	10	10
88	0501011978	5/8" FASTENER PLATE		07	09	09	10	10	10
89	0521010674	5/8" FASTENER		28	36	36	40	40	40



Item	Code	Description	See page	13/2	13/4	16/5	19/3	19/6
01	0501061098	4200 FRAME		01	01	00	00	00
02	0501066593	4600 FRAME		00	00	01	00	00
03	0501066585	5500 FRAME		00	00	00	01	01
04	0501055052	SUPPORTE BOX FERTILIZER SIMPLE		02	04	05	03	06
04A	0503060644	COVER GREEN BOX FERTILIZER YELLOW		01	01	01	01	01
04B	0511013459	BOX SUPPORT RIGHT		01	01	01	01	01
04C	0511013460	BOX SUPPORT LEFT		01	01	01	01	01
04D	0503010371	5/16" X 1" BOLT		16	32	40	24	48
04E	0501011517	FLAT WASHER		16	32	40	24	48
04F	0503010179	LOCK WASHER 5/16 ZN 1K01528		16	32	40	24	48
04G	0503010337	5/16" NUT		16	32	40	24	48
04H	0501110141	SOCKET		04	08	10	06	12
04I	0503010421	5/16" X 1-1/2" BOLT		04	08	10	06	12
04J	0503031171	RIGHT HELICAL CONDUTOR		04	08	10	06	12
04K	0503031172	LEFT HELICAL CONDUTOR		04	08	10	06	12
05	0501055053	SUPPORTE BOX FERTILIZER DOBLE		04	04	05	03	06
06	0521010656	1/2" X 4.3" X 3.3" FASTENER		04	08	10	06	12
07	0511017302	FLAT WASHER 13,50 X 32,50 X 3,0 ZN		08	16	20	16	24
08	0503010019	1/2" SPRING WASHER		34	42	52	54	62
09	0503010060	1/2 UNC G.5 ZN HEX NUT		34	42	52	54	62
10	0501018701	3/4" X 78" SQUARE SHAFT		01	01	00	00	00
11	0511014218	3/4" X 28.7" SQUARE SHAFT		00	00	01	01	00
12	0511014265	3/4" X 86" SQUARE SHAFT		00	00	01	00	00
13	0511014238	3/4" X 104" SQUARE SHAFT		00	00	00	01	01
14	0501055054	SUPPORTE ODD BOX FERTILIZER SIMPLE		00	00	01	01	00
14A	0503060644	COVER GREEN BOX FERTILIZER YELLOW		00	00	01	01	00
14B	0521012333	ODD FIXER RIGHT BOX		00	00	01	01	00
14C	0521012334	ODD FIXER LEFT BOX		00	00	01	01	00
14D	0503010691	1/4" GREASE FITTING		00	00	01	01	00
15	0501055055	SUPPORTE ODD BOX FERTILIZER DOBLE		00	00	01	01	00
16	0511019411	RH BEARING		00	00	01	01	00



## ROW CROP CULT RIGID SHANK AND FERT BOX

0909090412

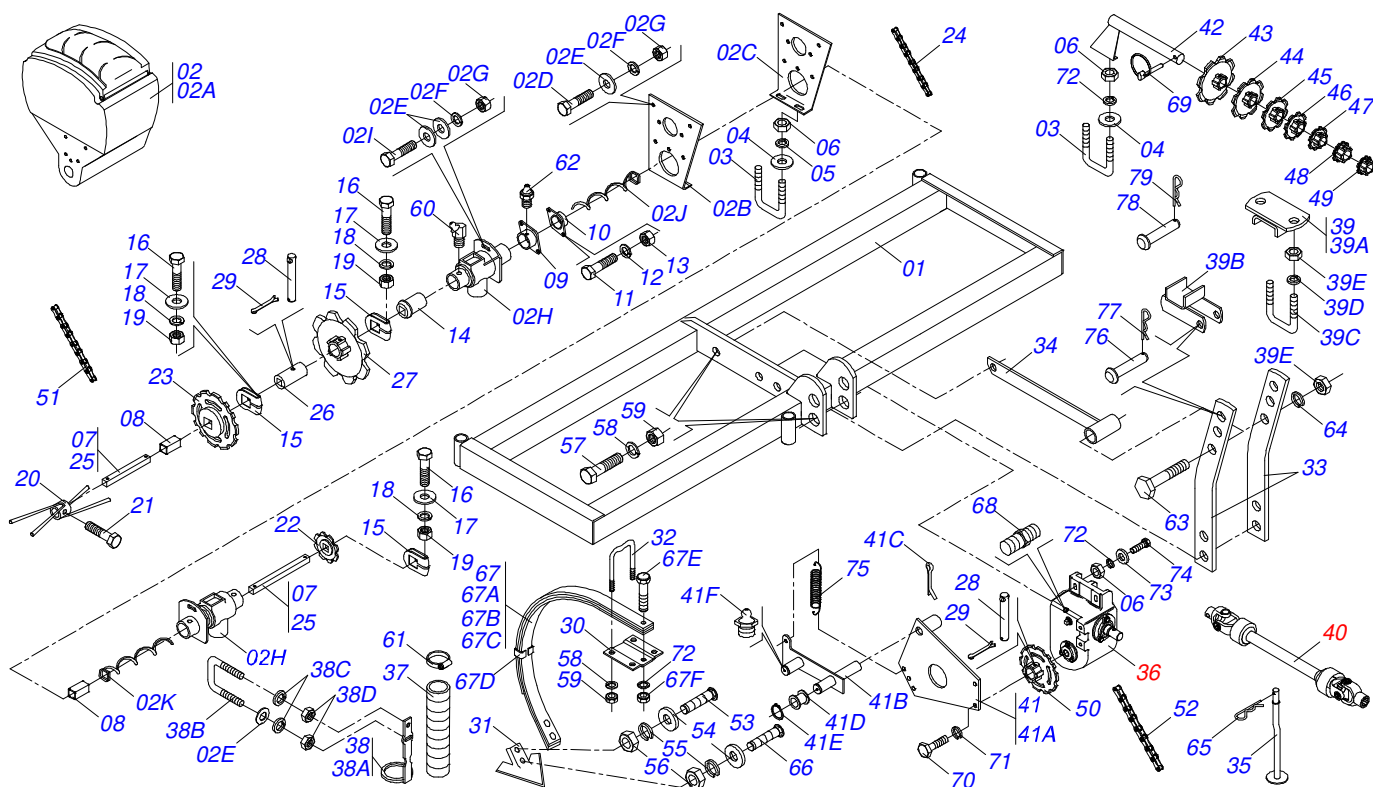
Item	Code	Description	See page	13/2	13/4	16/5	19/3	19/6
17	0521010715	LEFT BEARING		00	00	01	01	00
18	0503010365	BOLT 5/16 UNC X 1.1/4 C S G.5 ZN		00	00	04	01	00
19	0503010002	1800 GREASE FITTING		02	02	02	02	02
20	0502010145	10Z P 1-1/4" X 3/4" WHEEL TOOTH		00	00	02	02	00
21	0503011263	2050 CHAIN X 22 LINK + REDUCTION		00	00	01	01	00
22	0502010671	CENTRAL BEARING		04	04	10	06	12
23	0521010691	AXLE FASTENER		04	04	10	06	12
24	0503010373	SCREW 1/4 UNC X 2 CS G.2 ZN		04	04	10	06	12
25	0501010694	FLAT WASHER		04	04	10	06	12
26	0503010143	1/4" SPRING WASHER		04	04	10	06	12
27	0503010144	1/4" NUT		04	04	10	06	12
28	0501064419	CENTER BEARING SUPPORT		02	00	00	00	00
29	0501018702	3/4" X 82" SQUARE SHAFT		01	01	00	00	00
30	0511014264	3/4" X 90" SQUARE SHAFT		00	00	01	00	00
31	0511014237	3/4" X 110 SQUARE SHAFT		00	00	00	01	01
32	0502012007	SQUARE SLEEVE		01	01	01	01	01
33	0502011341	16Z P 1.2" RH 0.8" GEAR		01	01	01	01	01
34	0521010530	JUNCTION AXLE 6,80 X 60		02	02	02	02	02
35	0503010140	1/8" X 3/4" COTTERPIN		02	02	02	02	02
36	0503010003	1845 GREASE FITTING		04	04	10	06	12
37	0501019055	CAB SEMI		02	02	02	02	02
38	0501010216	3/4 UNC X 4.1/2 C S G.5 ZN BOLT		01	01	01	01	01
39	0503010023	3/4" SPRING WASHER		05	05	05	05	05
40	0503010014	3/4" HEX NUT		05	05	05	05	05
41	0521010577	0.9" X 4.1" COUPLING SHAFT		03	03	03	03	03
42	0503031035	HITCH PIN CLIP		04	04	04	04	04
43	0501064601	ATTACHMENT BAR		01	01	01	01	01
44	0503010232	5/8" X 1.3/4" BOLT		05	05	05	05	05
45	0503010027	5/8 SPRING WASHER		67	67	85	100	100
46	0503010013	5/8 NUT		67	67	85	100	100
47	0501062412	PLOUGH SUPPORT 725		01	01	01	01	01
48	0511040626	REDUCTION	5	01	01	01	01	01
49	0503010734	1/2" X 2-1/2" BOLT		02	02	02	02	02
50	0521012451	FLAT WASHER		02	02	02	02	02
51	0503010325	VCA-118 VALVE		01	01	01	01	01
52	0501010769	2" X 31.5" HOSE ASSY		04	08	10	06	12
53	0503010246	CLAMP		04	08	10	06	12
54	0501041004	HOSE HOLDER ASSY		04	08	10	06	12
54A	0501060833	HOSE HOLDER		01	01	01	01	01
54B	0501010492	3/8" STAPLE		04	08	10	06	12
54C	0501011517	FLAT WASHER		08	16	20	12	24
54D	0503011443	3/8" SPRING WASHER		08	16	20	12	24
54E	0503010026	3/8" NUT		08	16	20	14	24
55	0501040967	LOWER HITCH ASSY		01	01	01	01	01
55A	0501060838	STAPLE GUIDE		02	02	02	02	02
55B	0501060837	LOWER HITCH		02	02	02	02	02
55C	0521010657	3/4" FASTENER		02	02	02	02	02
56	0501042390	DRIVE SHAFT	4	01	01	01	01	01
57	0511040821	CHAIN TENSIONER ASSY		01	01	01	01	01
57A	0511063363	CHAIN TENSIONER		01	01	01	01	01
57B	0501064329	CHAIN TENSIONER		01	01	01	01	01
57C	0503010257	1/8" X 1" COTTERPIN		01	01	01	01	01
57D	0503030402	PULLEY		01	01	01	01	01
57E	0503010302	501019 SEAL RING		01	01	01	01	01
58	0503010256	3/8" X 3/4" BOLT		02	02	02	02	02
59	0503010025	3/8 SPRING WASHER		02	02	02	02	02
60	0503030093	TRACTION SPRING		01	01	01	01	01
61	0511063272	GEAR SUPPORT		01	01	01	01	01
62	0502011306	6Z P 1.2" RH 1.4" GEAR		01	01	01	01	01



## ROW CROP CULT RIGID SHANK AND FERT BOX

0909090412

Item	Code	Description	See page	13/2	13/4	16/5	19/3	19/6
63	0502011314	8Z P 1.1/4" RH1.4" GEAR		01	01	01	01	01
64	0502011317	10Z P 1.2" RH 1.3/8" GEAR		01	01	01	01	01
65	0502011324	12Z P 1.2" RH 1.4" GEAR		01	01	01	01	01
66	0502011334	14Z P 1.2" RH 1.4" GEAR		01	01	01	01	01
67	0502011345	18Z P 1.25" RH1.3/8" GEAR		01	01	01	01	01
68	0502012150	20Z 1-1/4" X 1-3/8" GEAR		01	01	01	01	01
69	0502012151	22Z 1-1/4" X 1-3/8" GEAR		01	01	01	01	01
70	0503030168	HITCH PIN CLIP		01	01	01	01	01
71	0503011949	2050 CHAIN X 3 LINK + MENDING		01	01	01	01	01
72	0503010876	2050 CHAIN X 45 LINK + MENDING		01	01	01	01	01
73	0501040536	BUNCH SPRING		13	13	16	19	19
74	0501010497	5/8" SMALLER STAPLE GUIDE		13	13	16	19	19
75	0521010670	5/8" FASTENER		26	26	32	38	38
76	0621010002	CULTIVATOR HOES		13	13	16	19	19
77	0501011963	7/16" X 1-1/2" BOLT		26	26	32	38	38
78	0501012803	FLAT WASHER		26	26	32	38	38
79	0503010180	7/16" SPRING WASHER		26	26	32	38	38
80	0503010244	7/16" NUT		26	26	32	38	38
81	0501061933	TURNBUCLE SUPPORT		13	13	16	19	19
82	0501010100	SCREW 5/8 UNC X 2 CS G.5 ZN		13	13	16	19	19
83	0501011974	TURNBUCLE		13	13	16	19	19
84	0501011976	1/2" FASTENER PLATE		13	13	16	19	19
85	0521010654	1/2" FASTENER		13	13	16	19	19
86	0501011978	5/8" FASTENER PLATE		13	13	16	19	19
87	0521010674	5/8" FASTENER		26	26	32	38	38
88	0511016905	FRAME LOCK		00	00	04	04	04



Item	Code	Description	See page	QT
01	0501061098	4200 FRAME	01	01
02	0501055052	SUPPORTE BOX FERTILIZER SIMPLE	04	04
02A	0503060644	COVER GREEN BOX FERTILIZER YELLOW	04	04
02B	0511013459	BOX SUPPORT RIGHT	04	04
02C	0511013460	BOX SUPPORT LEFT	04	04
02D	0503010371	5/16" X 1" BOLT	32	32
02E	0501010984	10,50 X 27 X 3,00 FLAT WASHER	56	56
02F	0503010179	LOCK WASHER 5/16 ZN 1K01528	40	40
02G	0503010337	5/16" NUT	40	40
02H	0501110141	SOCKET	08	08
02I	0503010421	5/16" X 1-1/2" BOLT	08	08
02J	0503031171	RIGHT HELICAL CONDUTOR	04	04
02K	0503031172	LEFT HELICAL CONDUTOR	04	04
03	0521010656	1/2" X 4.3" X 3.3" FASTENER	09	09
04	0511017302	FLAT WASHER 13,50 X 32,50 X 3,0 ZN	18	18
05	0503010019	1/2" SPRING WASHER	16	16
06	0503010060	1/2 UNC G.5 ZN HEX NUT	20	20
07	0501018701	3/4" X 78" SQUARE SHAFT	02	02
08	0511014217	0.8" X 2" SQUARE SLEEVE	05	05
09	0511019411	RH BEARING	04	04
10	0521010715	LEFT BEARING	04	04
11	0503010365	BOLT 5/16 UNC X 1.1/4 C S G.5 ZN	18	18
12	0503010179	LOCK WASHER 5/16 ZN 1K01528	16	16
13	0503010337	5/16" NUT	16	16
14	0502010671	CENTRAL BEARING	16	16
15	0521010691	AXLE FASTENER	20	20
16	0503010373	SCREW 1/4 UNC X 2 CS G.2 ZN	20	20
17	0501010694	FLAT WASHER	20	20
18	0503010143	1/4" SPRING WASHER	20	20
19	0503010144	1/4" NUT	20	20
20	0501068529	MEXEDOR BODY	04	04

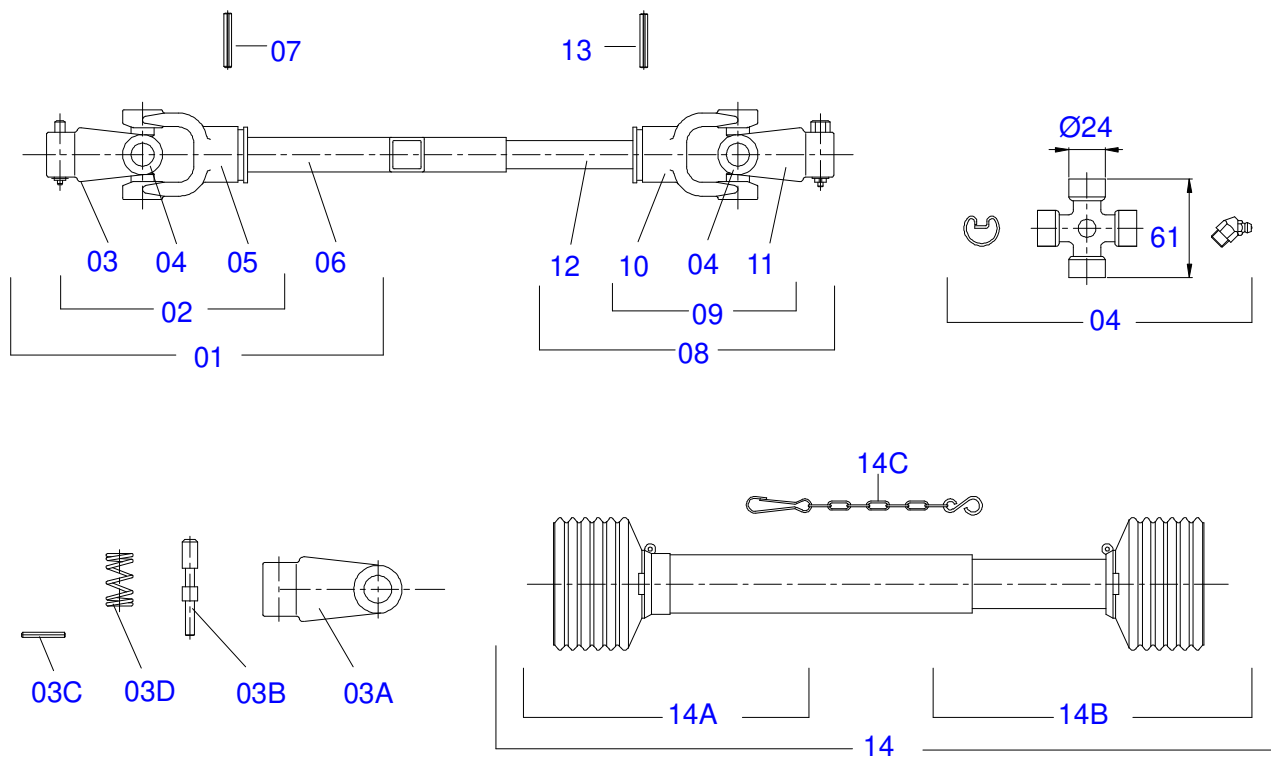


Item	Code	Description	See page	QT
21	0503010237	3/8" X 1" BOLT		04
22	0502011315	8Z P 1.2" SH 3/4" GEAR		02
23	0502011349	18Z P 1.2" SH 3/4" GEAR		02
24	0503011263	2050 CHAIN X 22 LINK + REDUCTION		02
25	0501018702	3/4" X 82" SQUARE SHAFT		02
26	0502012007	SQUARE SLEEVE		01
27	0502011341	16Z P 1.2" RH 0.8" GEAR		01
28	0521010530	JUNCTION AXLE 6,80 X 60		02
29	0503010140	1/8" X 3/4" COTTERPIN		02
30	0501010497	5/8" SMALLER STAPLE GUIDE		13
31	0621010002	CULTIVATOR HOES		13
32	0521010670	5/8" FASTENER		26
33	0501019055	CAB SEMI		02
34	0501064601	ATTACHMENT BAR		01
35	0501062412	PLOUGH SUPPORT 725		01
36	0511040626	REDUCTION	5	01
37	0501010769	2" X 31.5" HOSE ASSY		08
38	0501041004	HOSE HOLDER ASSY		08
38A	0501060833	HOSE HOLDER		08
38B	0521010683	3/8 UNC FASTENER		08
38C	0503011443	3/8" SPRING WASHER		16
38D	0503010026	3/8" NUT		16
39	0501040967	LOWER HITCH ASSY		02
39A	0501060838	STAPLE GUIDE		02
39B	0501060837	LOWER HITCH		02
39C	0521010657	3/4" FASTENER		02
39D	0503011442	3/4" SPRING WASHER		04
39E	0503010014	3/4" HEX NUT		05
40	0501042390	DRIVE SHAFT	4	01
41	0511040821	CHAIN TENSIONER ASSY		01
41A	0501064329	CHAIN TENSIONER		01
41B	0511063363	CHAIN TENSIONER		01
41C	0503010257	1/8" X 1" COTTERPIN		01
41D	0503030402	PULLEY		02
41E	0503010302	501019 SEAL RING		02
41F	0503010002	1800 GREASE FITTING		02
42	0511063272	GEAR SUPPORT		01
43	0502012150	20Z 1-1/4" X 1-3/8" GEAR		01
44	0502011345	18Z P 1.25" RH1.3/8" GEAR		01
45	0502011334	14Z P 1.2" RH 1.4" GEAR		01
46	0502011324	12Z P 1.2" RH 1.4" GEAR		02
47	0502011317	10Z P 1.2" RH 1.3/8" GEAR		01
48	0502011314	8Z P 1.1/4" RH1.4" GEAR		01
49	0502011306	6Z P 1.2" RH 1.4" GEAR		01
50	0502012150	20Z 1-1/4" X 1-3/8" GEAR		01
51	0503011949	2050 CHAIN X 3 LINK + MENDING		01
52	0503010876	2050 CHAIN X 45 LINK + MENDING		01
53	0501011962	7/16" X 1-1/4" BOLT		13
54	0501012803	FLAT WASHER		26
55	0503010180	7/16" SPRING WASHER		26
56	0503010244	7/16" NUT		26
57	0503010232	5/8" X 1.3/4" BOLT		05
58	0503010027	5/8 SPRING WASHER		57
59	0503010013	5/8 NUT		57
60	0503010003	1845 GREASE FITTING		08
61	0503010246	CLAMP		08
62	0503010691	1/4" GREASE FITTING		08
63	0501010216	3/4 UNC X 4.1/2 C S G.5 ZN BOLT		01
64	0503010023	3/4" SPRING WASHER		01

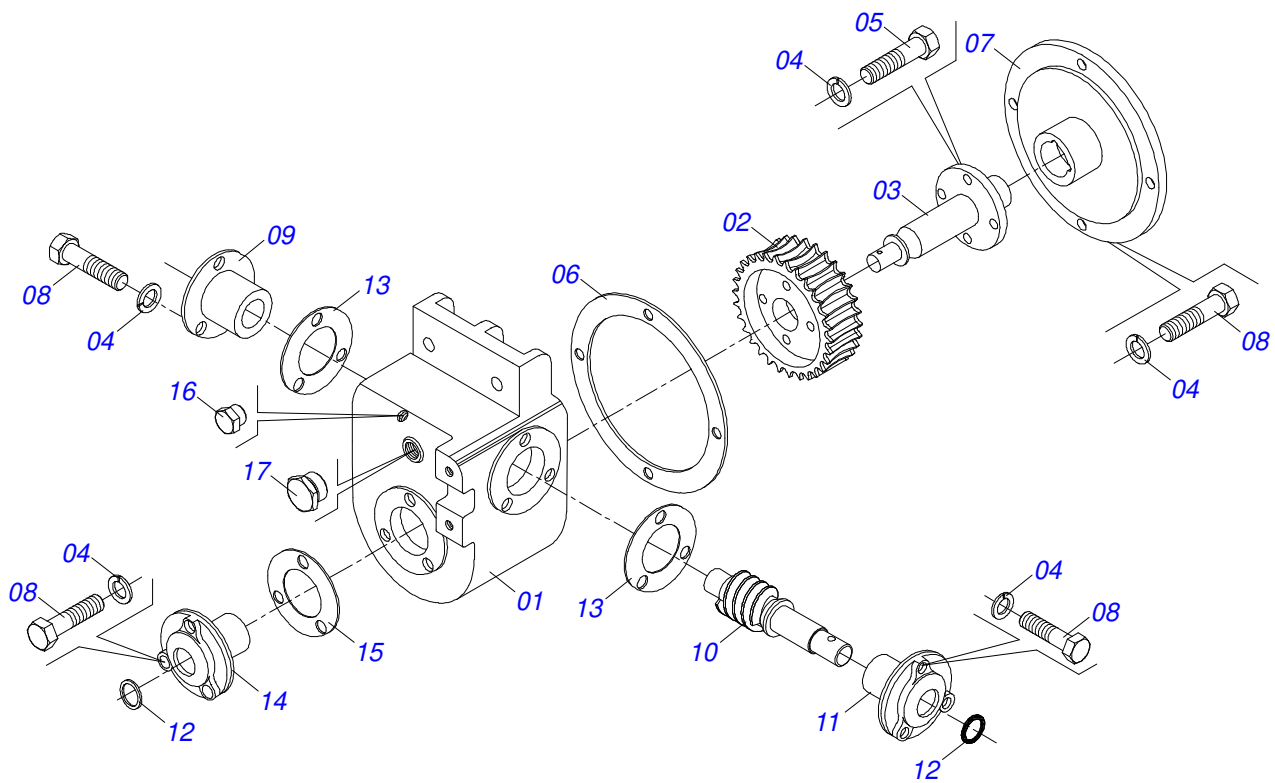


Item	Code	Description	See page	QT
65	0503030012	HITCH PIN CLIP		01
66	0501011963	7/16" X 1-1/2" BOLT		13
67	0501047894	ARCH KIT		13
67A	0501016738	TURNBUCLE LARGER BODY		13
67B	0501016739	TURNBUCLE MIDDLE BODY		13
67C	0501016774	SMALLER TURNBUCLE BODY		13
67D	0501016775	SPINDLE CLAMP		13
67E	0503011082	C1/2" X 1.3/4" SCREW		13
67F	0503010060	1/2 UNC G.5 ZN HEX NUT		13
68	0503010325	VCA-118 VALVE		01
69	0503030085	LOCK PIN		01
70	0503010256	3/8" X 3/4" BOLT		02
71	0503010025	3/8 SPRING WASHER		02
72	0503010019	1/2" SPRING WASHER		17
73	0521012451	FLAT WASHER		02
74	0503010734	1/2" X 2-1/2" BOLT		02
75	0503030093	TRACTION SPRING		01
76	0521010577	0.9" X 4.1" COUPLING SHAFT		03
77	0503031035	HITCH PIN CLIP		03
78	0521010535	COUPLING SHAFT		01
79	0503010140	1/8" X 3/4" COTTERPIN		01

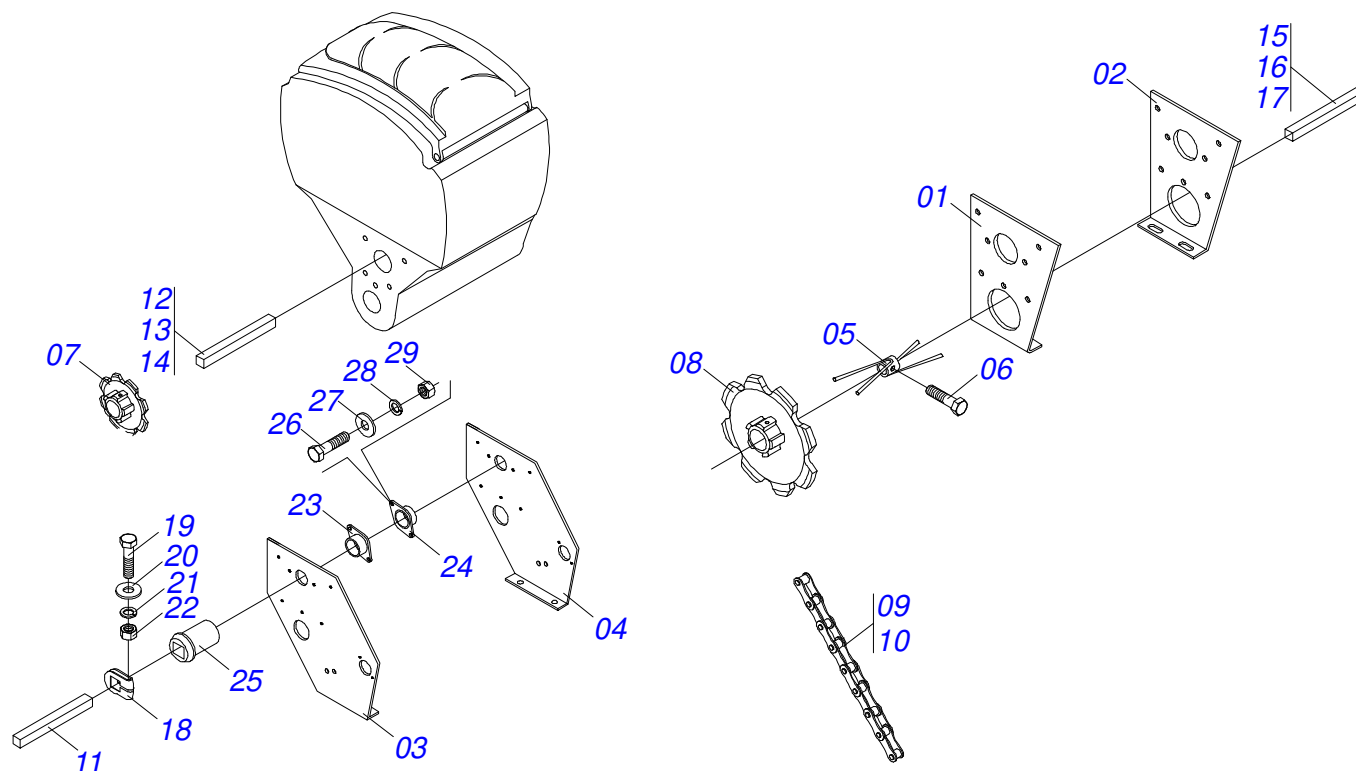




Item	Code	Description	See page	QT
01	0501050255	SLEEVE UNIVERSAL JOINT		01
02	0501050263	UNIVERSAL JOINT		01
03	0501050332	1-20 TERMINAL		01
03A	0502010561	1-20 TERMINAL		01
03B	0521010637	0.5" X 3" COUPLING SHAFT		01
03C	0503010838	0.1" X 0.8" SPRING PIN		01
03D	0503030518	0.5"X1.0"X 0.1" COMPRESSION SPRING		01
04	0503010835	CARDAN CROSSPIECE		02
05	0502010559	2-20 TERMINAL		01
06	0511018902	0.9" X 20" SQUARE SLEEVE		01
07	0503010839	03"X 0.6" SPRING PIN		01
08	0501050257	UNIVERSAL JOINT WITH AXLE		01
09	0501050264	UNIVERSAL JOINT		01
10	0502010562	3-20 TERMINAL		01
11	0502010558	4-20 TERMINAL WITH ROLES		01
12	0511010237	0.9" X 18" SQUARE SHAFT		01
13	0503010301	0.3" X 1.8" SPRING PIN		01
14	0503012089	PROTECTION ASSY		01
14A	0503012090	PROTECTION FOR UNIV JOINT AND SLEEVE		01
14B	0503012091	PROTECTION FOR UNIV JOINT AND AXLE		01
14C	0503012023	CHAIN FOR PROTECTION		01



Item	Code	Description	See page	QT
01	0502020105	REDUCTION BOX	01	
02	0502011557	23Z GEAR	01	
03	0502012008	1.4" FLANGE AXLE	01	
04	0503010025	3/8" SPRING WASHER	17	
05	0503010237	3/8" X 1" BOLT	04	
06	0503030063	7,1" X 5,6" X 0,01" JOINT	02	
07	0502020103	GEAR LARGER COVER	01	
08	0503010751	C3/8" X 1.1/4" HEX BOLT G.5	13	
09	0502020100	COVERS WT HOLE BLIND ENDLESS THREAD	01	
10	0521012280	SCREW THEAD	01	
11	0502020099	COVERS HOLE PASSER ENDLESS THREAD	01	
12	0503010077	SEAL 00284-BR	02	
13	0503030062	3.9" X 2.5" X 0,01" JOINT	04	
14	0502020101	GEAR SMALLER COVER	01	
15	0503030061	3,5" X 1,9" X 0,01" JOINT	02	
16	0511017907	1/8" BSPT X 6 PLUG	01	
17	0503010856	OIL PLUG	01	



Item	Code	Description	See page	2CX	3CX	4CX	5CX	6CX
01	0511013459	BOX SUPPORT RIGHT		02	02	04	04	06
02	0511013460	BOX SUPPORT LEFT		02	02	04	04	06
03	0521012333	ODD FIXER RIGHT BOX		00	01	00	01	00
04	0521012334	ODD FIXER LEFT BOX		00	01	00	01	00
05	0501068529	MEXEDOR BODY		02	03	04	05	06
06	0503010237	3/8" X 1" BOLT		02	03	04	05	06
07	0502010146	8Z GEAR		02	04	02	04	06
08	0502010149	18Z GEAR		02	03	02	03	02
09	0503011263	2050 CHAIN X 22 LINK + REDUCTION		02	02	02	02	02
10	0503010450	2050 CHAIN X 30 LINK + REDUCTION		00	01	00	01	00
11	0511014218	3/4" X 28.7" SQUARE SHAFT		02	03	00	01	00
12	0501018697	3/4" X 69" SQUARE SHAFT		00	00	01	00	00
13	0501018698	3/4" X 72" SQUARE SHAFT		00	00	01	02	00
14	0501018701	3/4" X 78" SQUARE SHAFT		00	00	01	00	00
15	0501018702	3/4" X 82" SQUARE SHAFT		00	00	01	00	00
16	0511014238	3/4" X 104" SQUARE SHAFT		00	00	00	00	01
17	0511014237	3/4" X 110 SQUARE SHAFT		00	00	00	00	01
18	0521010691	AXLE FASTENER		10	15	16	21	20
19	0503010373	SCREW 1/4 UNC X 2 CS G.2 ZN		10	15	16	21	20
20	0511017303	FLAT WASHER		10	15	16	21	20
21	0503010143	1/4" SPRING WASHER		10	15	16	21	20
22	0503010144	1/4" NUT		10	15	16	21	20
23	0511019411	RH BEARING		02	03	04	05	06
24	0521010715	LEFT BEARING		02	03	04	05	06
25	0502010671	CENTRAL BEARING		04	06	08	10	12
26	0503010365	BOLT 5/16 UNC X 1.1/4 C S G.5 ZN		08	12	16	20	24
27	0501010984	10,50 X 27 X 3,00 FLAT WASHER		08	12	16	20	24
28	0503010179	LOCK WASHER 5/16 ZN 1K01528		08	12	16	20	24
29	0503010337	5/16" NUT		08	12	16	20	24





**MARCHESAN**

**Technical Publications | Elaboration and Revision**

ALESSANDRA PATRICIA KAWAHARA CARRILI

[www.marchesan.com.br](http://www.marchesan.com.br)

