

# PARTS CATALOG

## AUXILIARY PRODUCTS

### GATG BR

Code: 0501091239



Series: S-1010

Review: MAIO/2011

ORIGINAL PARTS  
TATU

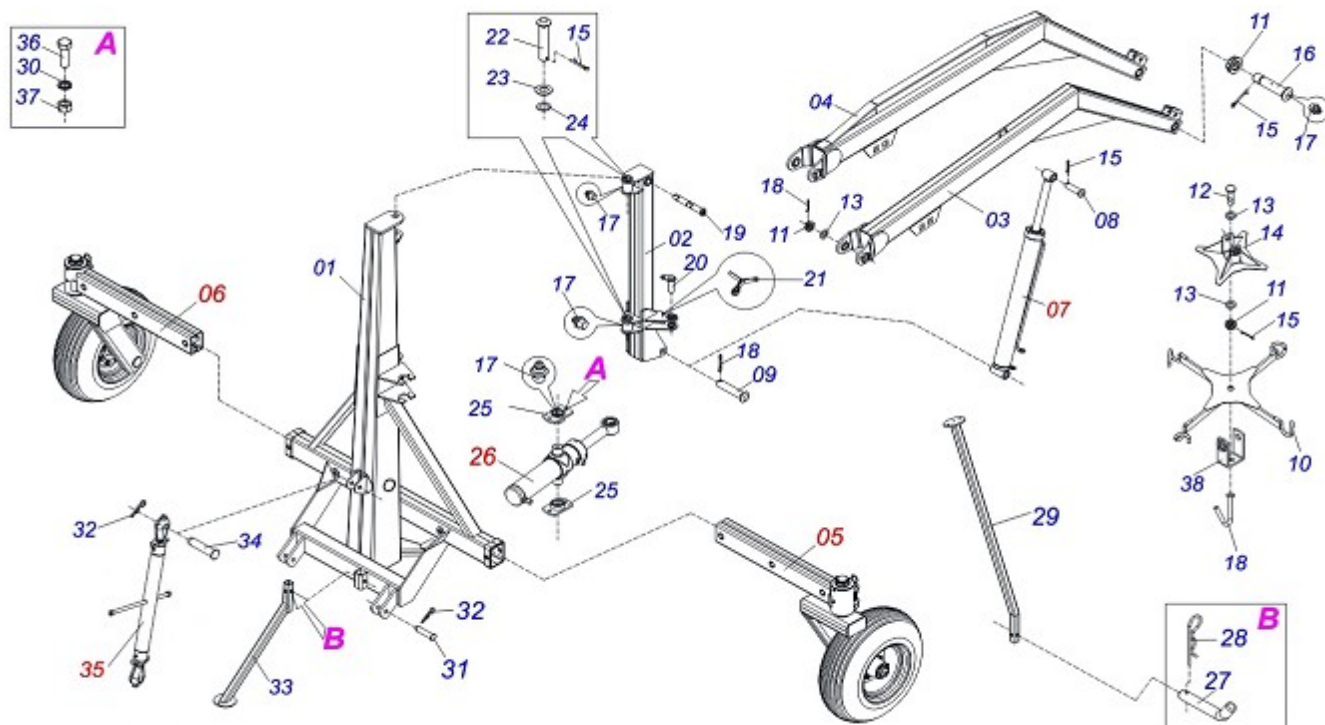


# INDEX

GATG-BR	.....	1
CARRYING-WHEELS	.....	2
HYDRAULIC CIRCUIT	.....	3
HYDRAULIC CYLINDER	.....	4
HYDRAULIC CYLINDER	.....	5
TURNBUKLE ASSY	.....	6

**ATTENTION: IMPORTANT**

MARCHESAN RESERVES THE RIGHT AT ANY TIME TO MAKE IMPROVEMENTS IN THE DESIGN, MATERIAL OR SPECIFICATIONS OF MACHINERY, EQUIPMENT OR PARTS WITHOUT THEREBY BECOMING LIABLE TO MAKE SIMILAR CHANGES IN MACHINERY, EQUIPMENT OR PARTS PREVIOUSLY SOLD.



Item	Code	Description	QT
01	0521060225		01
02	0521061767		01
03	0521060319		01
04	0521060226		01
05	0521060212	LEFT ARM	01
06	0521060211	RIGHT ARM	01
07	0511048828	HYDRAULIC CYLINDER	01
08	0561011199	COUPLING SHAFT	01
09	0561011198	COUPLING SHAFT	01
10	0521060235	CROSSPIECE	01
11	0501011301	1.1/2" CASTLE NUT	03
12	0521010555	1-1/2" X 5.5" COUPLING SHAFT	01
13	0501012916	FLAT WASHER	03
14	0521060317		01
15	0503010073	3/8" X 3-1/2" COTTERPIN	04
16	0521012828	1.5" X 6.8" PIVOT SHAFT	01
17	0503010002	GREASE FITTING	04
18	0503010073	3/8" X 3-1/2" COTTERPIN	03
19	0521062101	PIVOT SHAFT	01
20	0521062127	PIVOT SHAFT	01
21	0503010257	1/8" X 1" COTTERPIN	01
22	0561011201	COUPLING SHAFT	01
23	0551012215	FLAT WASHER	02
24	0511019685	FLAT WASHER	02
25	0511061810	HYDRAULIC CYLINDER FRANGE	02
26	0511048829	HYDRAULIC CYLINDER	01
27	0501011075	PIN	02
28	0503030012	HAIR PIN	02
29	0521060305	PLOUGH SUPPORT	01
30	0503010019	1/2" SPRING WASHER	04
31	0521010596	1.1" X 4.7" COUPLING SHAFT	02
32	0503011035	2-114 N 3006-9B O'RING	03
33	0521060304	PLOUGH SUPPORT	01



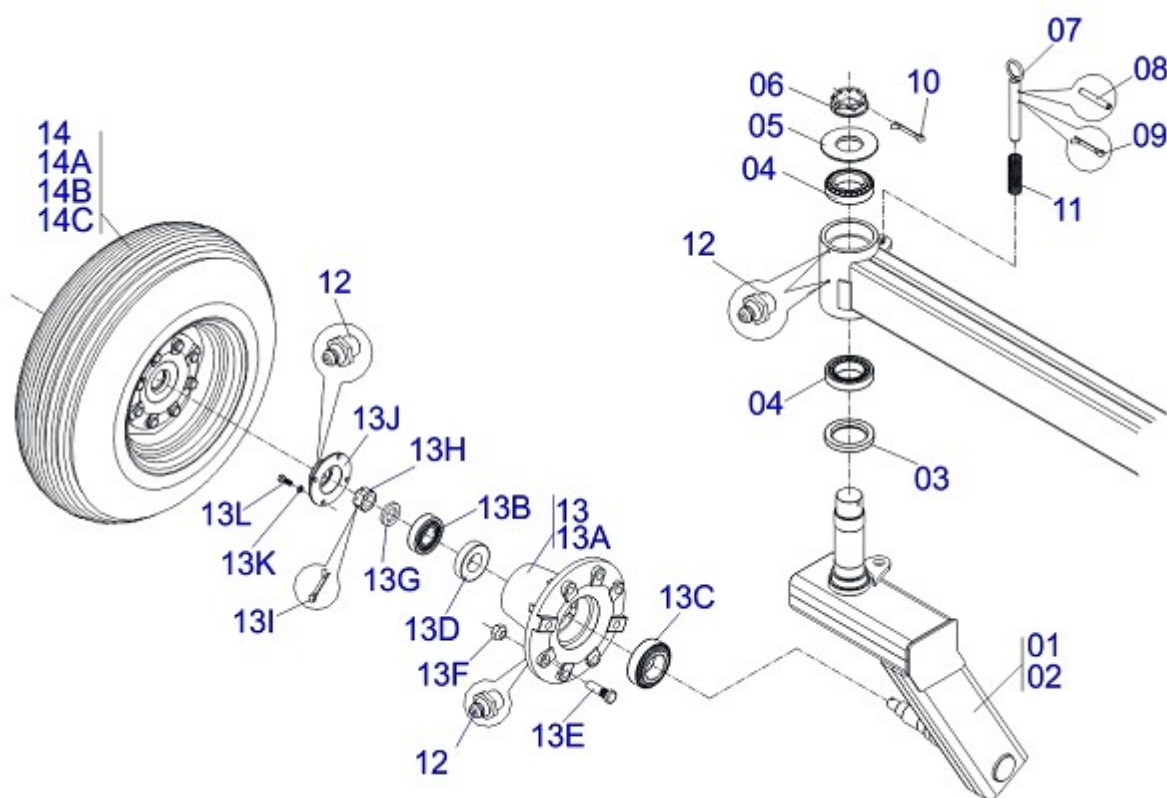
GATG BR

Page 1

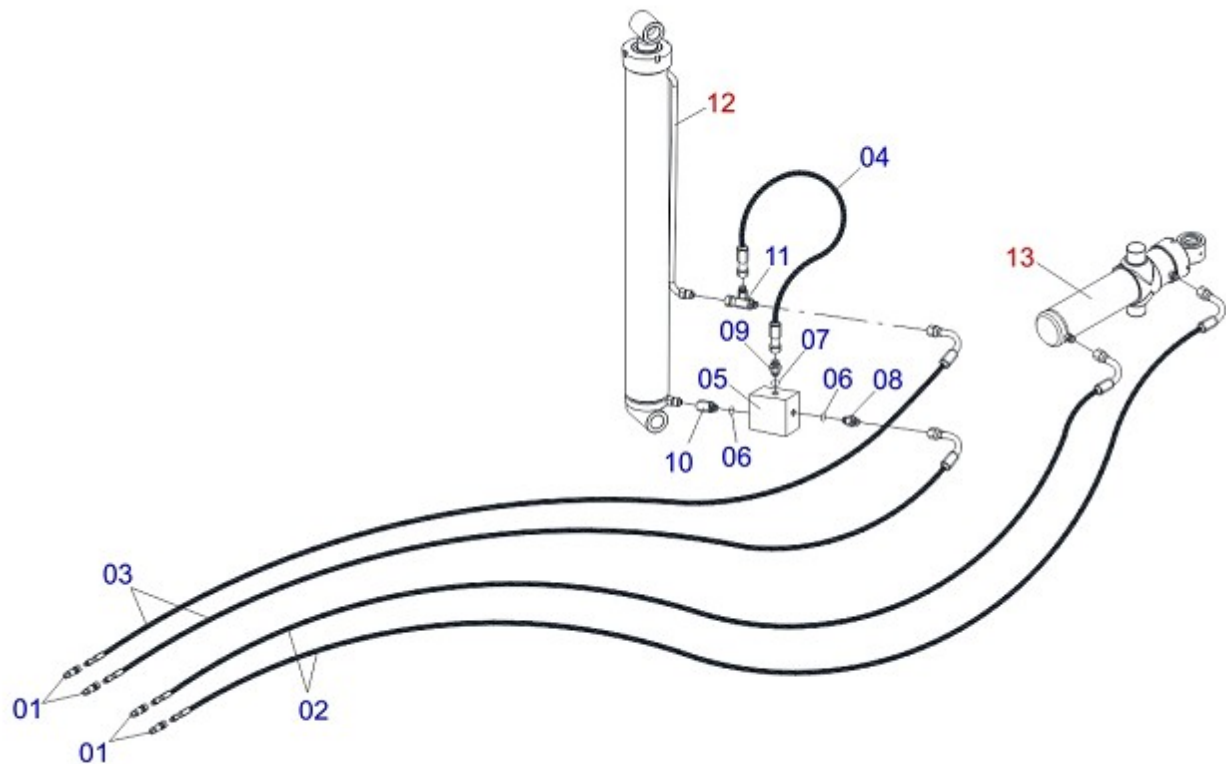
GATG-BR

0909093251

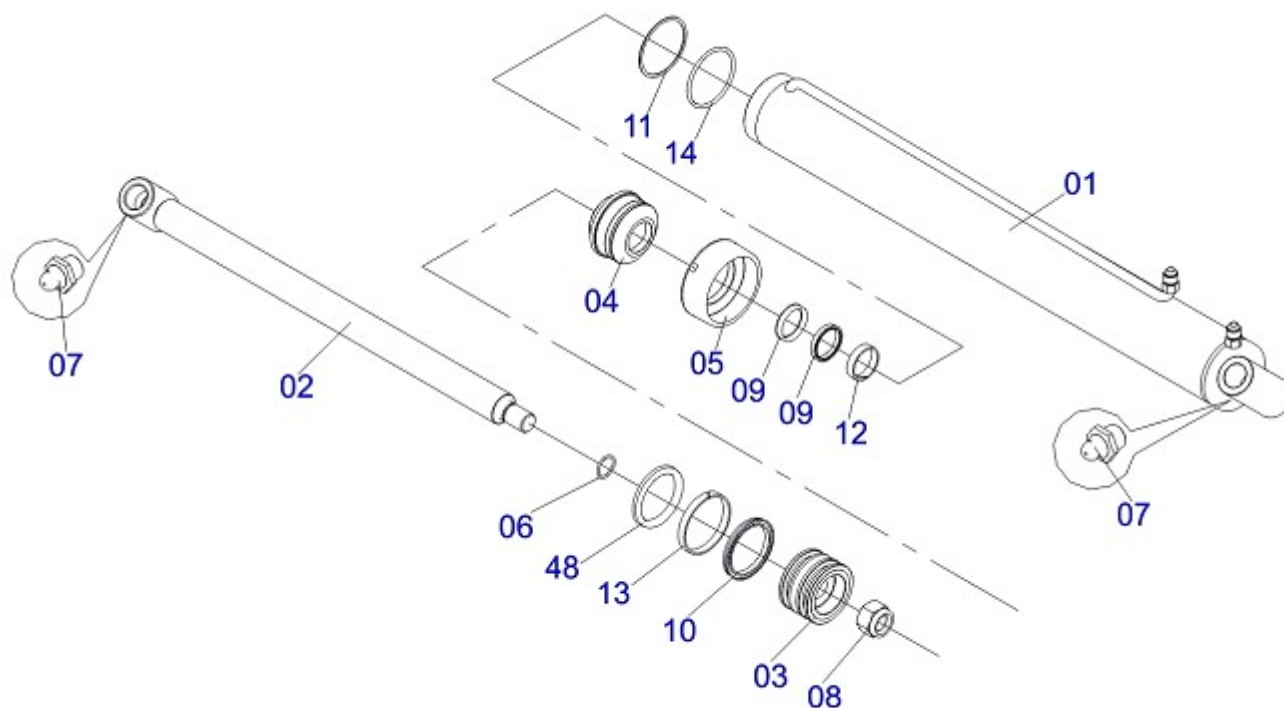
Item	Code	Description	QT
34	0521010579	0.9" X 4.5" COUPLING SHAFT	01
35	0511049732	TURNBUKLE ASSY	01
36	0503010920	1/2" X 1.1/2" BOLT	04
37	0503010060	1/2" NUT	04
38	0501069722	U HOOK	01



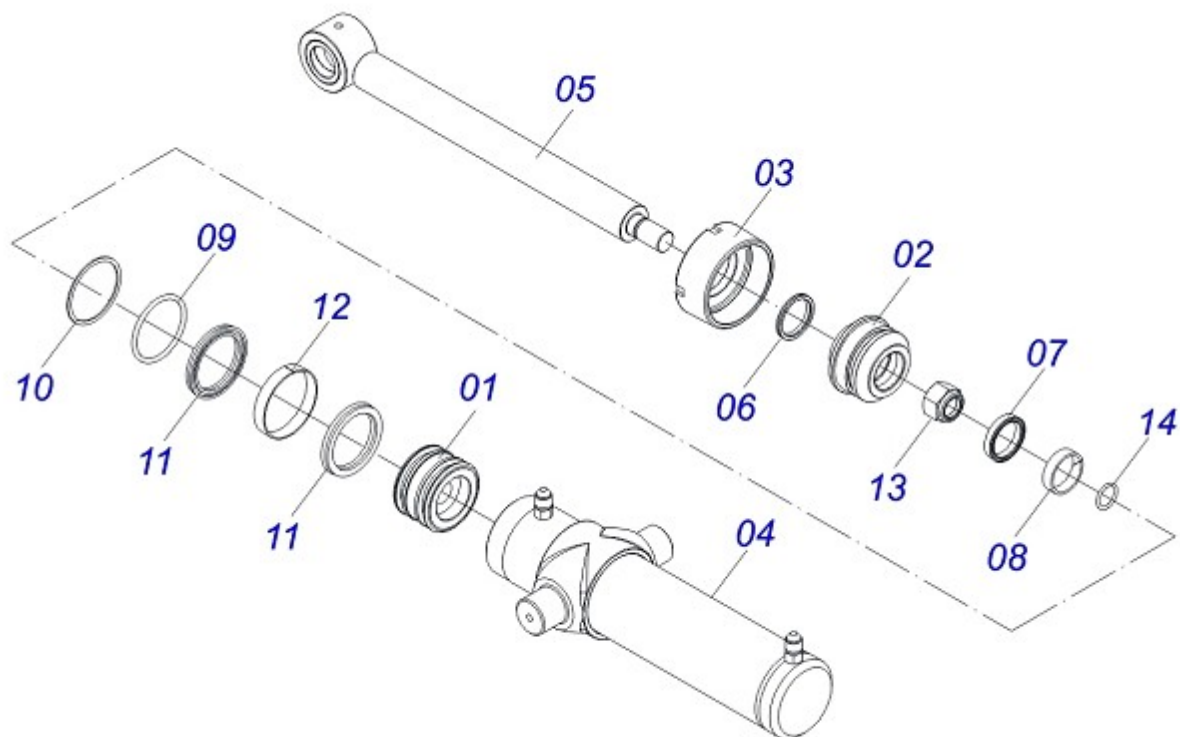
Item	Code	Description	
01	0521060219	LEFT CARRYING-WHEELS SUPPORT	01
02	0521060221	RIGHT CARRYING-WHEELS SUPPORT	01
03	0503010050	SEAL 00085-B	01
04	0503010059	33287/33462 ROLLER BEARING	02
05	0541016926	HUB COVER	01
06	0502040080	2.1/2" UM FLANGE NUT	01
07	0511064229	LOCK PIN	01
08	0503010292	0.2" X 1.6" SPRING PIN	01
09	0503010131	3/16" X 1-1/2" COTTERPIN	01
10	0503010073	3/8" X 3-1/2" COTTERPIN	01
11	0503030517	1.27" X 4.72" X 0.9" SPRING	01
12	0503010002	GREASE FITTING	02
13	0501058791		01
13A	0502012260	CARRYING WHEEL HUB	01
13B	0503010008	3780/3720 ROLLER BEARING	01
13C	0503011156	2780/2720 ROLLER BEARING	01
13D	0503013314	2.5 X 4.3 X 0.5 SEAL 5166-GB	01
13E	0501010186	5/8" X 2-1/8" CARRYING BOLT	08
13F	0503010064	5/8" CONIC NUT	08
13G	0511012492	FLAT WASHER	01
13H	0503030009	1" X 0.9" CASTLE NUT	01
13I	0503010018	5/32" X 1-1/2" COTTERPIN	01
13J	0502020591	COVER	01
13K	0503011444	5/16" SPRING WASHER	04
13L	0503010358	5/16" X 7/8" BOLT	04
14	0503060244	WHEEL AND TIRE ASS'Y 11L-15 10L	02
14A	0503012108	WHEEL	02
14B	0503010858	TIRE 11L-15	02



Item	Code	Description	
01	0501053834	QUICK CONECTION (MALE) 1/2NPT	04
02	0501081417		02
03	0501080097	1/2" X 98" TC-TM HOSE ASSY	02
04	0501080087	1/2" X 450 HOSE ASSY	01
05	0503013622	VALVE ASSY	01
06	0503010045	2-116 N 3006-9B O'RING	02
07	0503011030	2-014 N 3006-9B O'RING	01
08	0551012400	7/8" NF NIPPLE	01
09	0531013708	7/8 UNF X R 9/16 UNF X 45 NIPPLE	01
10	0541016817	1.1/8 X R 7/8 HEX TERMINAL	01
11	0503012341	"T" 7/8" ADAPOR GIRAT NUT	01
12	0511048828	HYDRAULIC CYLINDER	01
13	0511048829	HYDRAULIC CYLINDER	01

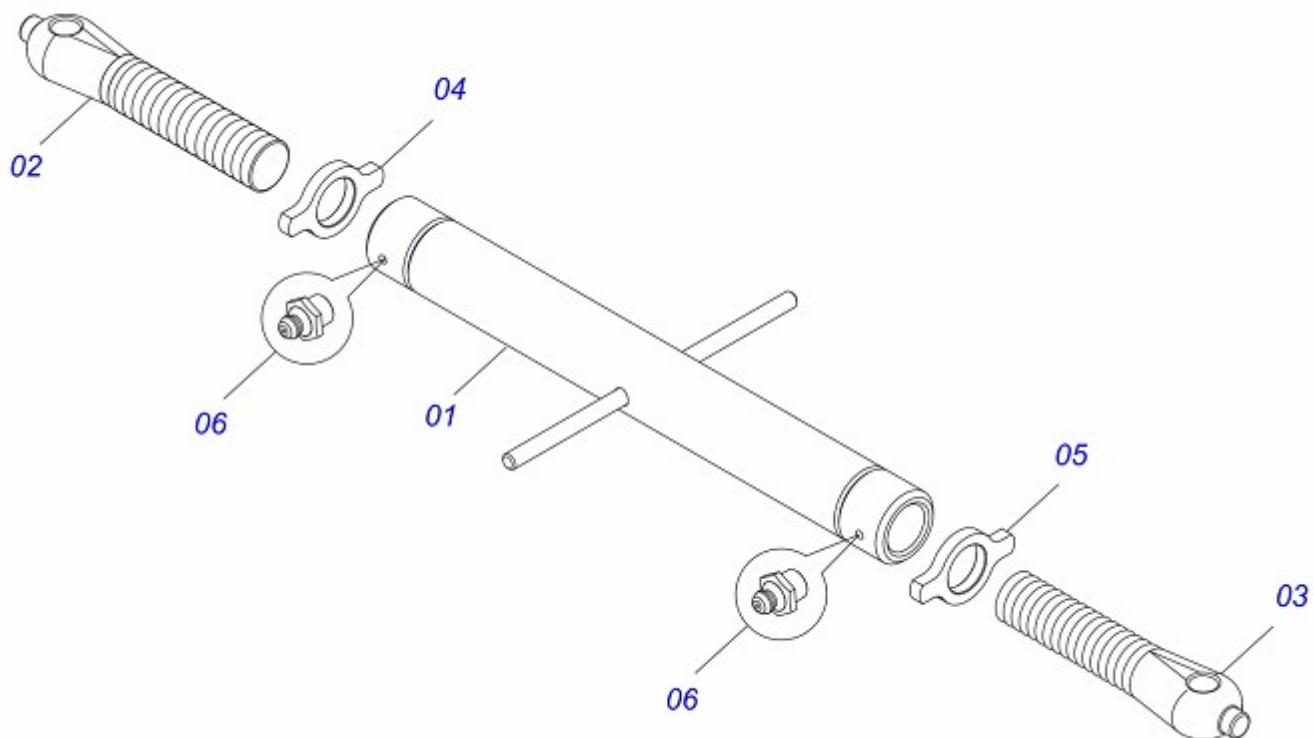


Item	Code	Description	
01	0521061768	101,6 X 1056 CYLINDER CASE	01
02	0521061769		01
03	0502010992	2.0" X 4.0" PISTON	01
04	0502010778	2" X 4.2" RING SUPPORT	01
05	0502010017	4" HEAD	01
06	0503010345	2-218 N 3006-9B O'RING	01
07	0503010002	GREASE FITTING	02
08	0503010817	1.1/4" UNF SELF ADJUSTING NUT	01
09	0503010991	PACKING 1870-2000-375-B	02
10	0503010043	PACKING 3750-3250	02
11	0503011061	8-342 BACK-UP RING	01
12	0503010952	W2-2250-500 PK RING G.E	01
13	0503010994	W2-4000-500 PK RING G.E	01
14	0503010338	2-342 N 3006-9B O'RING	01



Item	Code	Description	QT
02	0502010781	RING SUPPORT	01
03	0502010993	DETACHABLE COVER	01
04	0521061771	CYLINDER CASE	01
05	0521061770		01
06	0503010761	D-1750 SCRAPER RING	01
07	0521061770		01
08	0503010976	2-336 N 3006-9B O'RING	01
09	0503010976	2-336 N 3006-9B O'RING	01
10	0503011060	8-336 BACK-UP RING	01
11	0503010170	PACKING 3120 2750	01
12	0503010948	W4-3346-590 PK RING G.E	01
13	0503010063	1" SELF-ALIGNING NUT	01
14	0503010042	2-214 N 3006-9B O'RING	01
15	0503030385	PLUG	02
QT	0502010843	1.8" X 3.4" PISTON	01





Item	Code	Description	QT
000	0511049732	TURNBUKLE ASSY	01
001	0521062479	653 TURNBUCKLE	01
002	0561019311		01
003	0502040834		01
004	0561019304	LEFT LOCKNUT	01
005	0561019303	RIGHT LOCKNUT	01
006	0503010002	GREASE FITTING	02





**MARCHESAN IMPLEMENTOS E MÁQUINAS AGRÍCOLAS TATU S.A.**  
AV. Marchesan, 1979 - Post office box, 131 - CEP 15994-900 - Matão - SP - Brazil  
Phone +55 16.3382-8282  
(FAX Parts) + 55 16.3382. 8297 - (Export) + 55 16.3382.1003  
e.mail: [tatu@marchesan.com.br](mailto:tatu@marchesan.com.br)    [www.marchesan.com.br](http://www.marchesan.com.br)

*Drafting and Illustration = GASPARI*  
*e.mail = [jgaspari@marchesan.com.br](mailto:jgaspari@marchesan.com.br)*

**ORIGINAL PARTS  
TATU**

