

AUXILIARY PRODUCTS

GATG-RO 2000

Code: 0501091238
Series: S-0114
Revision: 00
Date Revision: FEVEREIRO/2023

PARTS CATALOGUE



MARCHESAN



PRODUCTS

Code	Description
0407010053	GATG RO 2000 C/PN VALV SEG S-0114
0407010055	GATG RO 2000 C/RODA S/PN VALV SEG S-0114
0407010054	GATG RO 2000 S/PN C/VALV SEG S-0114

ATTENTION: IMPORTANT

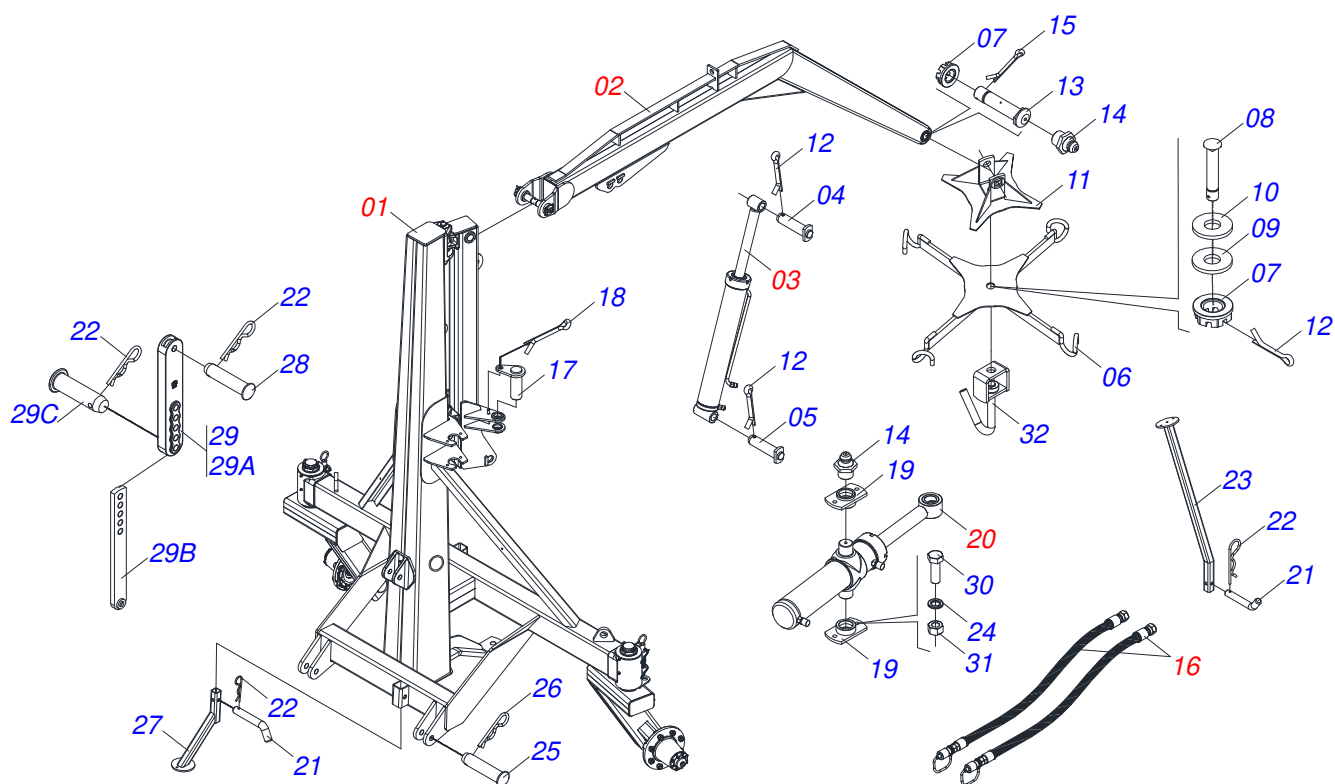
Marchesan S.A. reserves the right to improve and/or modify the technical features of its products, without obligation to do the same with those products already sold and without prior knowledge of the dealer or the customer. The photos are only illustrative.



MARCHESAN

INDEX

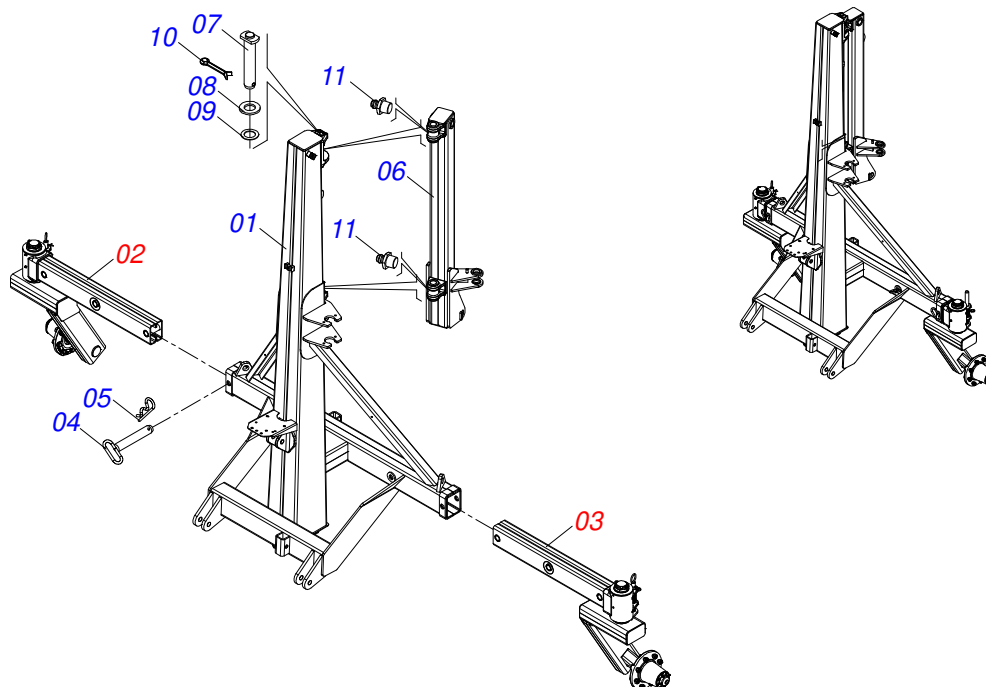
0909093248	GATG-RO 2000	1
0521043426	ASSY TOWER	2
0511054471	ASSY RIGHT WHEELED ARM	3
0511054472	ASSY LEFT ROD ARM	4
0511054563	RIGHT WHEEL ARM	5
0511054564	LEFT WHEEL ARM	6
0501058791	STUB SHAFT & HUB ASSY	7
0511054861	BOOM WITH ARTICULATION SHAFT	8
0511058407	HYDRAULIC CYLINDER 50,8X101,6X1139X883	9
0511058445	HYDRAULIC CYLINDER 44,45X85,7X205X322	10
0909093252	HYDRAULIC CIRCUIT	11
0501053834	MALE QUICK COUPLER	12



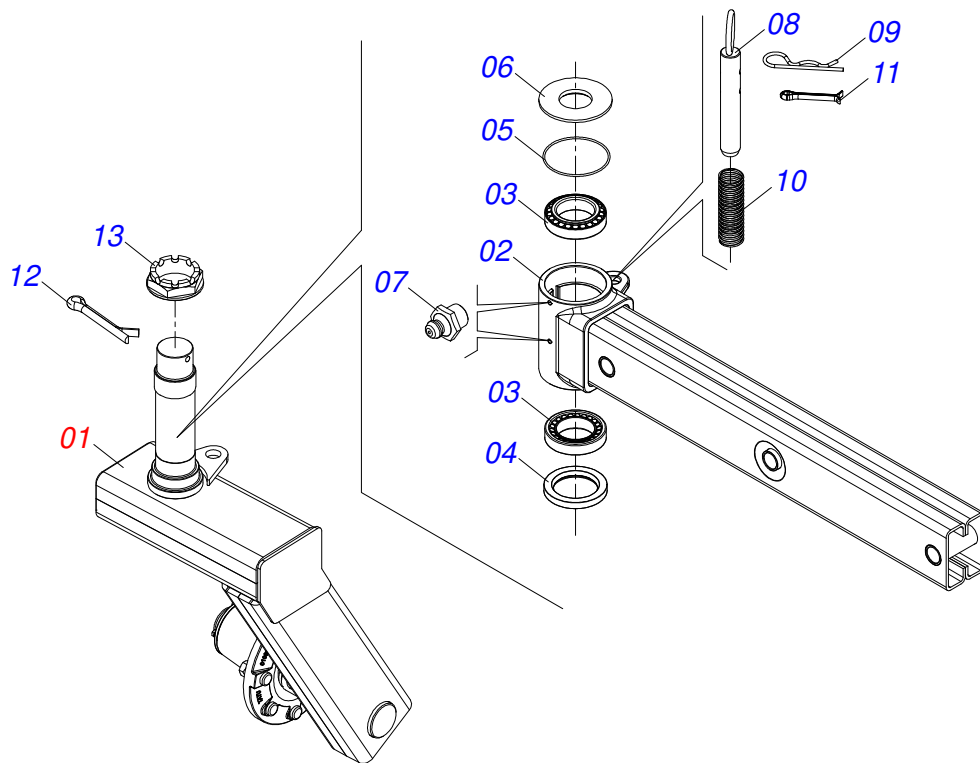
Item	Code	Description	See page	QT
01	0521043426	ASSY TOWER	2	01
02	0511054861	BOOM WITH ARTICULATION SHAFT	8	01
03	0511058407	HYDRAULIC CYLINDER 50,8X101,6X1139X883	9	01
04	0521063226	COUPLING SHAFT		01
05	0521063227	COUPLING SHAFT		01
06	0521060235	CROSSPIECE		01
07	0501011301	1.1/2 UNC 6FPP 2.5/16 NUT		03
08	0581011022	COUPLING SHAFT		01
09	0501012916	FLAT WASHER 40 X 66 X 4,75 ZN		02
10	0501012916	FLAT WASHER 40 X 66 X 4,75 ZN		01
11	0521060317	U COUPLING FOR CROSSPIECE		01
12	0503010073	3/8 X 3-1/2 COTTERPIN		06
13	0521012828	1.5" X 6.8" PIVOT SHAFT		01
14	0503010002	1800 GREASE FITTING		09
15	0503010073	3/8 X 3-1/2 COTTERPIN		03
16	0909093252	HYDRAULIC CIRCUIT	11	01
17	0521062127	PIVOT SHAFT		01
18	0503010257	1/8" X 1" COTTERPIN		01
19	0511061810	HYDRAULIC CYLINDER FIXING FLANGE		02
20	0511058445	HYDRAULIC CYLINDER 44,45X85,7X205X322	10	01
21	0501011075	PIN		02
22	0503030012	HITCH PIN CLIP		02
23	0521064328	PLOUGH SUPPORT		01
24	0503010019	1/2" SPRING WASHER		04
25	0521010596	COUPLING SHAFT		02
26	0503031035	HITCH PIN CLIP		03
27	0521060304	PLOUGH SUPPORT FRONT		01
28	0521010579	COUPLING SHAFT		01
29	0521040658	ADJUSTMENT BAR		01
29A	0502012380	3P ADJUSTMENT BAR GUIDES		01
29B	0511065014	ADJUSTMENT BAR		01



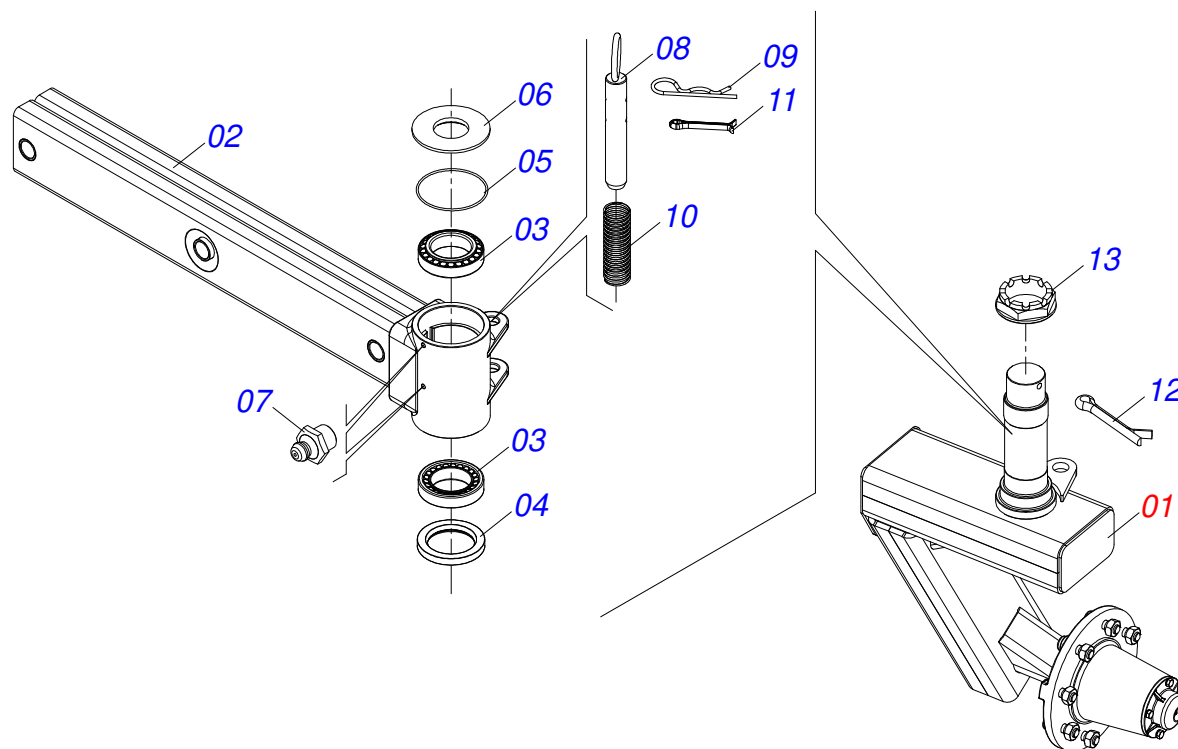
Item	Code	Description	See page	QT
29C	0521010575	C0.9" X 3.3" COUPLING SHAFT		01
30	0503010920	1/2 UNC X 1.1/2 C S G.5 ZN BOLT		04
31	0503010060	1/2 UNC G.5 ZN HEX NUT		04
32	0521066708	HOOK HITCH		01



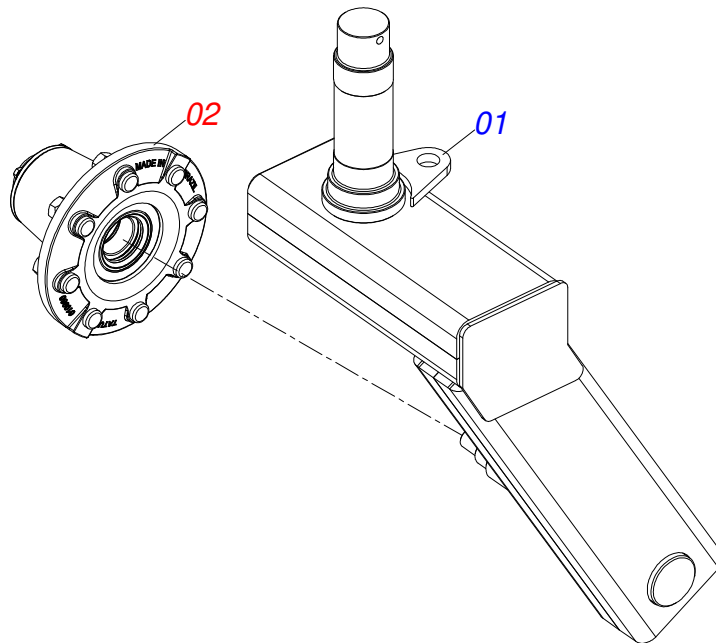
Item	Code	Description	See page	QT
01	0521062054	CHARGING BAR TOWER		01
02	0511054471	ASSY RIGHT WHEELED ARM	3	01
03	0511054472	ASSY LEFT ROD ARM	4	01
04	0501069080	COUPLING SHAFT		04
05	0503031035	HITCH PIN CLIP		04
06	0521061767	TURNING TOWER		01
07	0521063228	COUPLING SHAFT		02
08	0551012215	FLAT WASHER		02
09	0511019685	FLAT WASHER		02
10	0503010073	3/8 X 3-1/2 COTTERPIN		02
11	0503010002	1800 GREASE FITTING		02



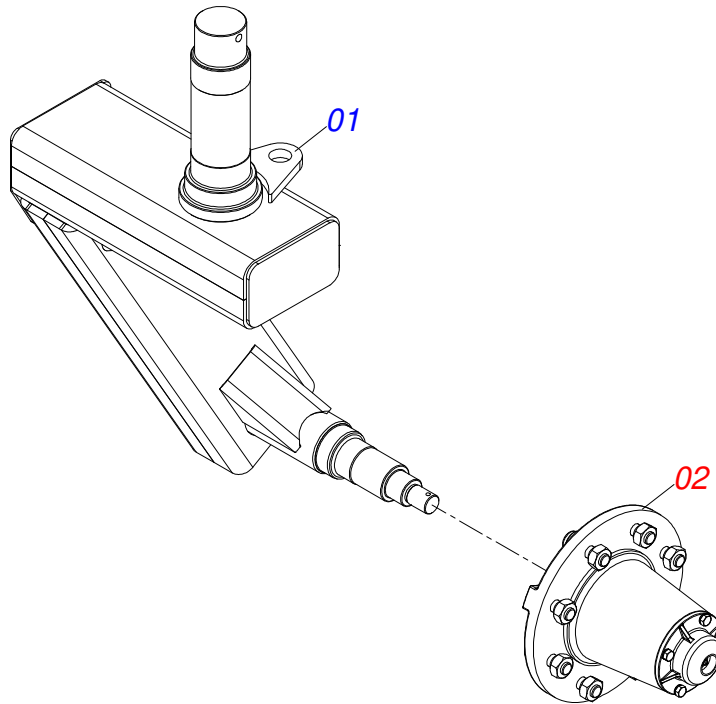
Item	Code	Description	See page	QT
01	0511054563	RIGHT WHEEL ARM	5	01
02	0521060211	RIGHT ARM		01
03	0503010059	33287/33462 ROLLER BEARING		02
04	0503010050	SEAL 00085-B		01
05	0503012314	2-248 1G05195 O'RING		01
06	0541016926	HUB COVER		01
07	0503010002	1800 GREASE FITTING		02
08	0521064320	LOCK PIN		01
09	0503030012	HITCH PIN CLIP		01
10	0503030978	COMPRES SPRING		01
11	0503010131	3/16" X 1-1/2" COTTERPIN		01
12	0503010073	3/8 X 3-1/2 COTTERPIN		01
13	0502040080	FLANGE NUT R.2.1/2 UN		01



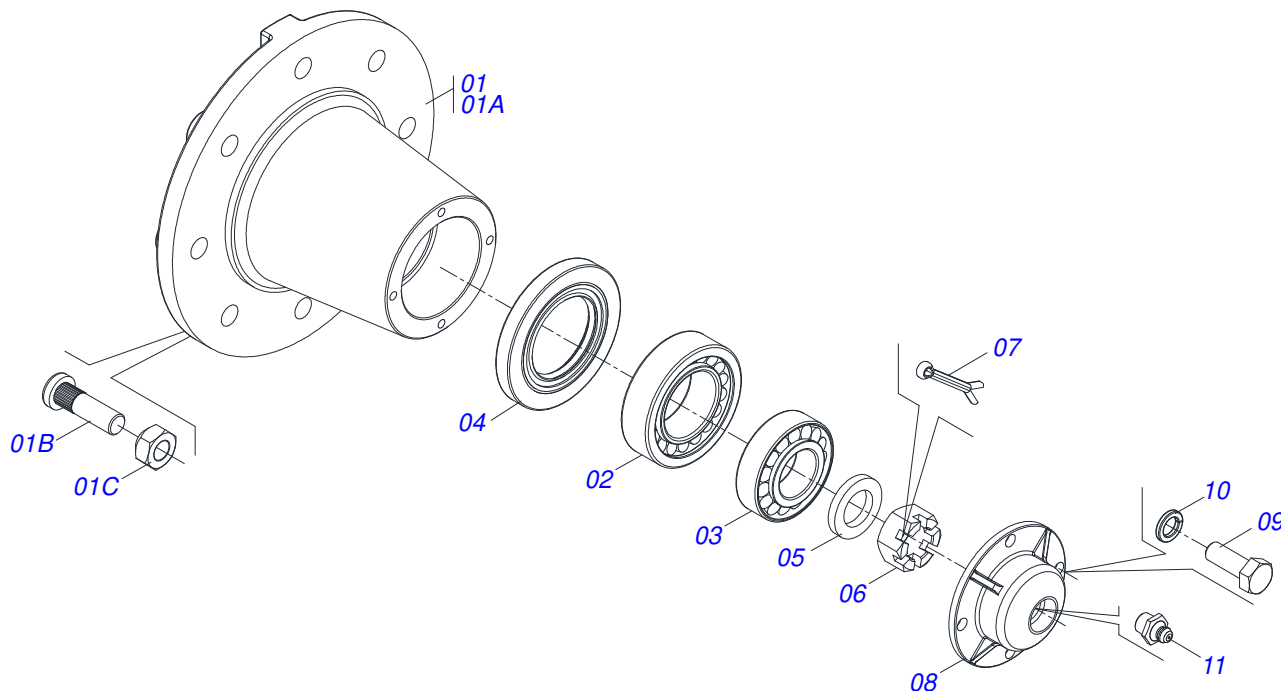
Item	Code	Description	See page	QT
01	0511054564	LEFT WHEEL ARM	6	01
02	0521060212	LEFT ARM		01
03	0503010059	33287/33462 ROLLER BEARING		02
04	0503010050	SEAL 00085-B		01
05	0503012314	2-248 1G05195 O'RING		01
06	0541016926	HUB COVER		01
07	0503010002	1800 GREASE FITTING		02
08	0521064320	LOCK PIN		01
09	0503030012	HITCH PIN CLIP		01
10	0503030978	COMPRES SPRING		01
11	0503010131	3/16" X 1-1/2" COTTERPIN		01
12	0503010073	3/8 X 3-1/2 COTTERPIN		01
13	0502040080	FLANGE NUT R.2.1/2 UN		01



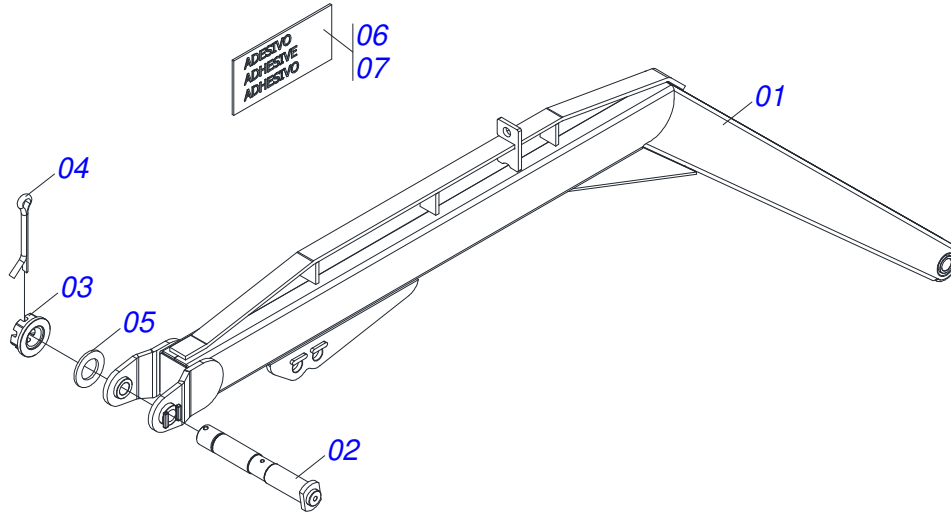
Item	Code	Description	See page	QT
01	0521060221	RIGHT CARRYING-WHEELS SUPPORT		01
02	0501058791	STUB SHAFT & HUB ASSY	7	01



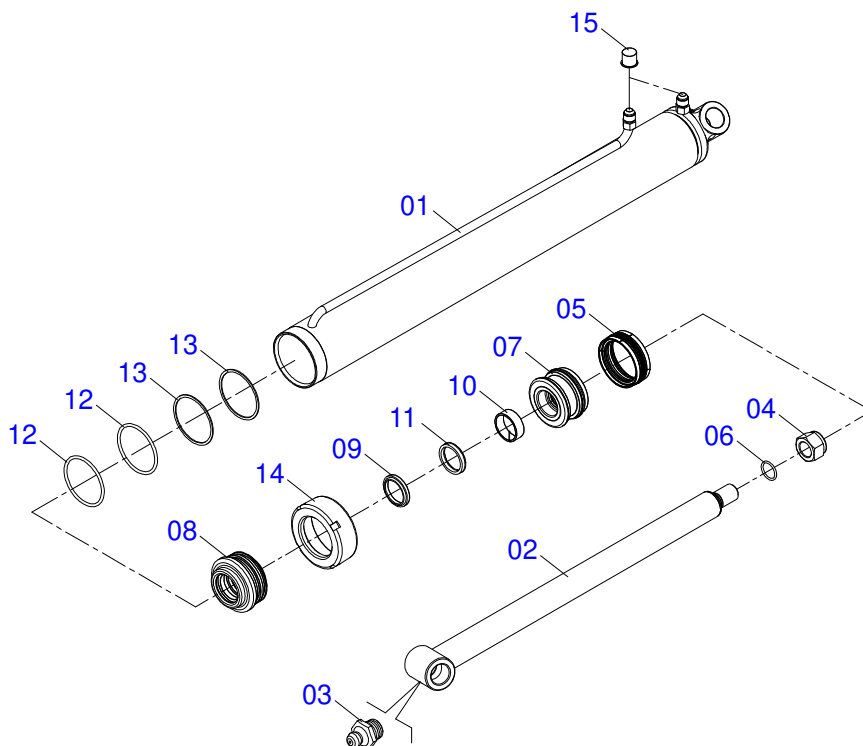
Item	Code	Description	See page	QT
01	0521060219	LEFT CARRYING-WHEELS SUPPORT		01
02	0501058791	STUB SHAFT & HUB ASSY	7	01



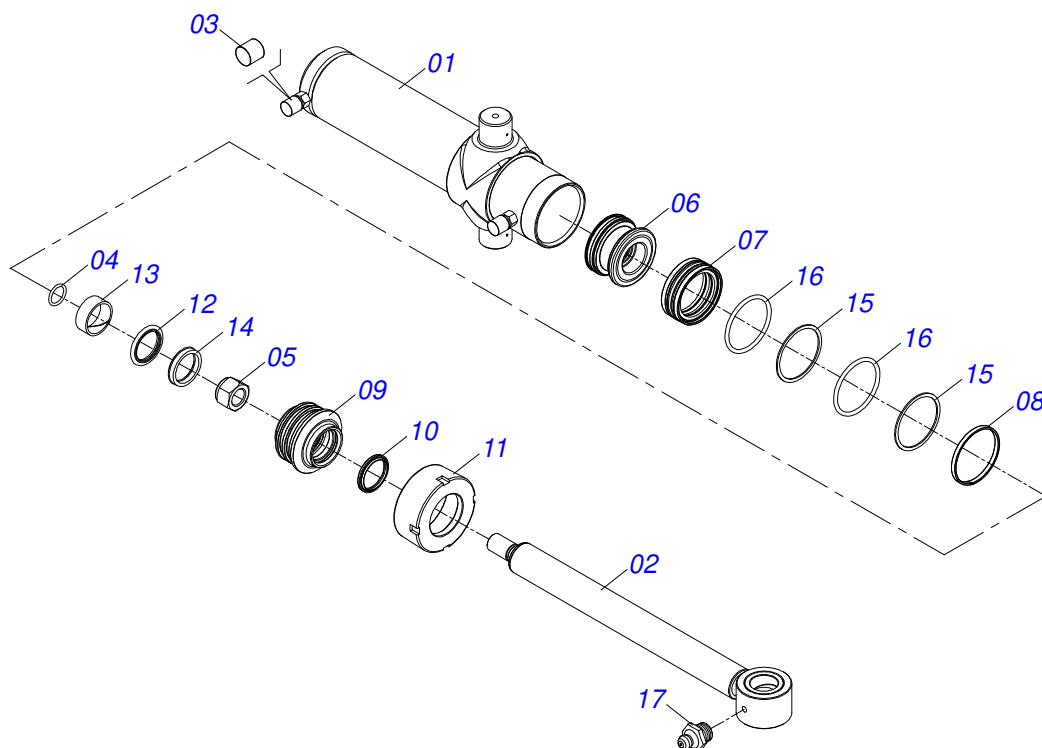
Item	Code	Description	See page	QT
01	0501110738	CARRYING WHEEL HUB		01
01A	0502012260	TRANSPORT WHEEL BOX		01
01B	0501010186	WHEEL SCREW 5/8UNF X 2.1/8CR		08
01C	0503010064	5/8 UNF CONIC NUT		08
02	0503010008	3780/3720 ROLLER BEARING		01
03	0503011156	ROLAMENTO 2780/2720 IMP		01
04	0503013314	RETAINER 5166-GB 63,5 X 110 X 13 ARCA		01
05	0511012492	FLAT WASHER		01
06	0503030009	1" CASTLE NUT		01
07	0503010018	5/32 X 1-1/2 COTTERPIN		01
08	0502020591	PROTECCION COVER		01
09	0503010358	5/16" X 5/8" BOLT		04
10	0503011444	SPRING WASHER		04
11	0503010002	1800 GREASE FITTING		01
12	1882970002	GREASE SOAP		0,001 Kg



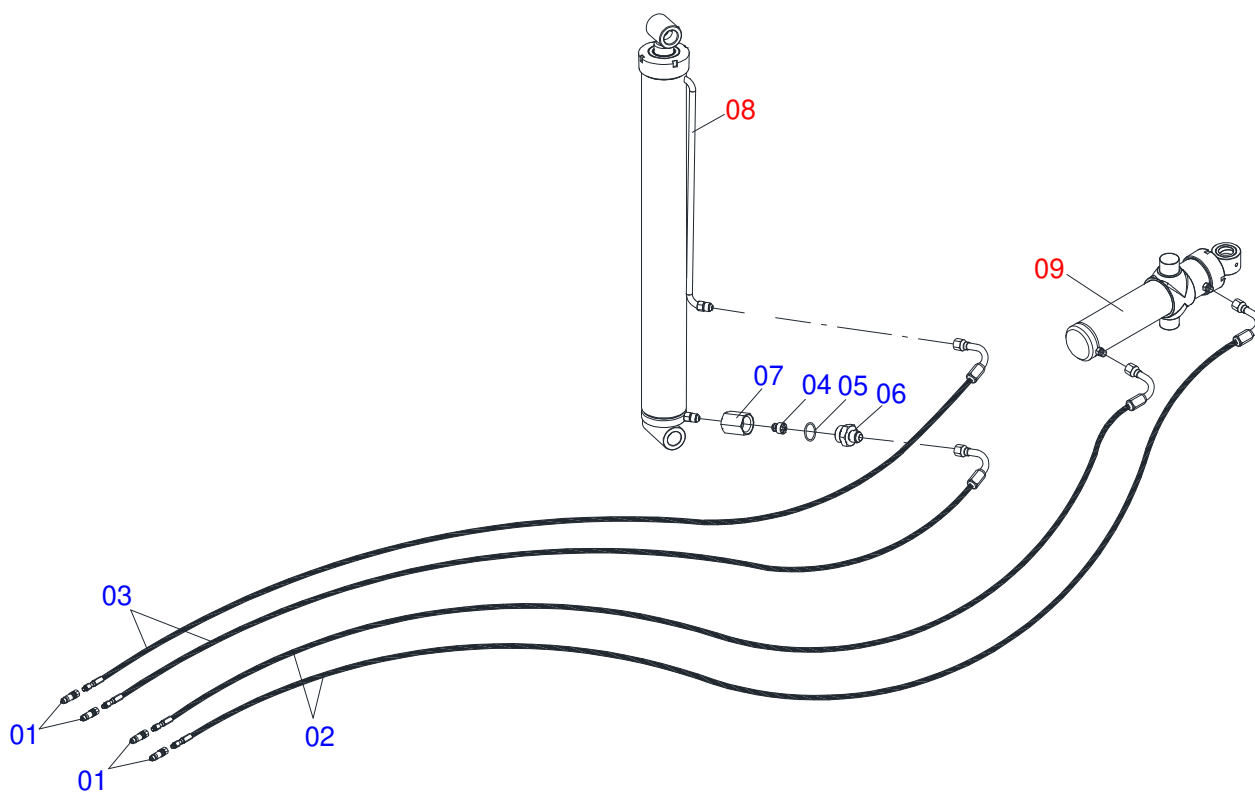
Item	Code	Description	See page	QT
01	0521060226	CHARGING BAR		01
02	0521062101	PIVOT SHAFT 38,10 X 251		01
03	0501011301	1.1/2 UNC 6FPP 2.5/16 NUT		01
04	0503010010	1/4" X 2.1/2" COTTERPIN		01
05	0501012916	FLAT WASHER 40 X 66 X 4,75 ZN		01
06	0503033114	ADHESIVE LABEL MAXIMUM LOAD CAPACITY		01
07	0503060924	GATG-RO ADHESIVE LABELS SET		01



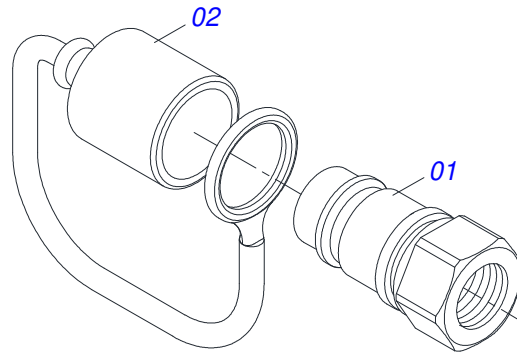
Item	Code	Description	See page	QT
001	0521061768	101,6 X 1056 CYLINDER CASE		01
002	0521061769	50,8 X 1088 ROD		01
003	0503010002	1800 GREASE FITTING		02
004	0503010817	1.1/4" SELF LOCKING NUT		01
005	0503015633	SELEMASTER SEALING		01
006	0503010345	2-218 N 3006-9B O'RING		01
007	0502012842	50,80 X 101,60 PISTON		01
008	0581010678	50,80 X 101 RING SUPPORT		01
009	0503015636	SCRAPER SEAL		01
010	0503018025	RING GUIDE		01
011	0503018026	1870-2000-375 B GASKET		01
012	0503010338	2-342 N 3006-9B O'RING		02
013	0503011061	8-342 BACK-UP RING		02
014	0502012822	101.60 END CAP		01
015	0503030387	PLUG		02



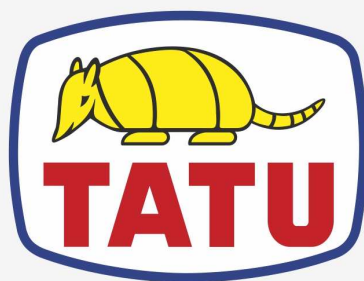
Item	Code	Description	See page	QT
001	0521061771	CYLINDER CASE		01
002	0521061770	44,45 X 517 ROD		01
003	0503030385	CYLINDER PLUG N-002		02
004	0503010042	2-214 N 3006-9B O'RING		01
005	0503010063	1" SELF-ALIGNING NUT		01
006	0571019710	1.7" X 3.4" PISTON		01
007	0503017935	RING		01
008	0503018144	RING		01
009	0571019711	RING SUPPORT		01
010	0503010761	D-1750 SCRAPER RING		01
011	0571019709	DETACHABLE COVER		01
012	0503017936	RING		01
013	0503017938	RING GUIDE		01
014	0503017937	GASKET		01
015	0503017940	8-337 BACK-UP RING		02
016	0503017939	2-337 N 3006-9B O' RING		02
017	0503010002	1800 GREASE FITTING		01



Item	Code	Description	See page	QT
01	0501053834	MALE QUICK COUPLER	12	04
02	0501081417	3/8 X 2500 TC- TM HOSE		02
03	0501080097	HOSE 1/2 X 2500 TC-TM		02
04	0503016854	VALVE ASSY		01
05	0503013467	2123 29,82X2,62 O'RING		01
06	0571014683	NIPLE		01
07	0571014684	FIXER ADAPTER		01
08	0511058407	HYDRAULIC CYLINDER 50,8X101,6X1139X883	9	01
09	0511058445	HYDRAULIC CYLINDER 44,45X85,7X205X322	10	01



Item	Code	Description	See page	QT
01	0503011627	MALE QUICK COUPLER AGR 1/2 NPT		01
02	0503011882	MALE QUICK COUPLER CAP		01



MARCHESAN

Technical Publications | Elaboration and Revision

JOÃO VIRGINIO ROCHA

www.marchesan.com.br

