

# PARTS CATALOG

## AUXILIARY PRODUCTS

### CALC ARRASTO

Code: 0501091237



Series: S-0108

Rev.: 00

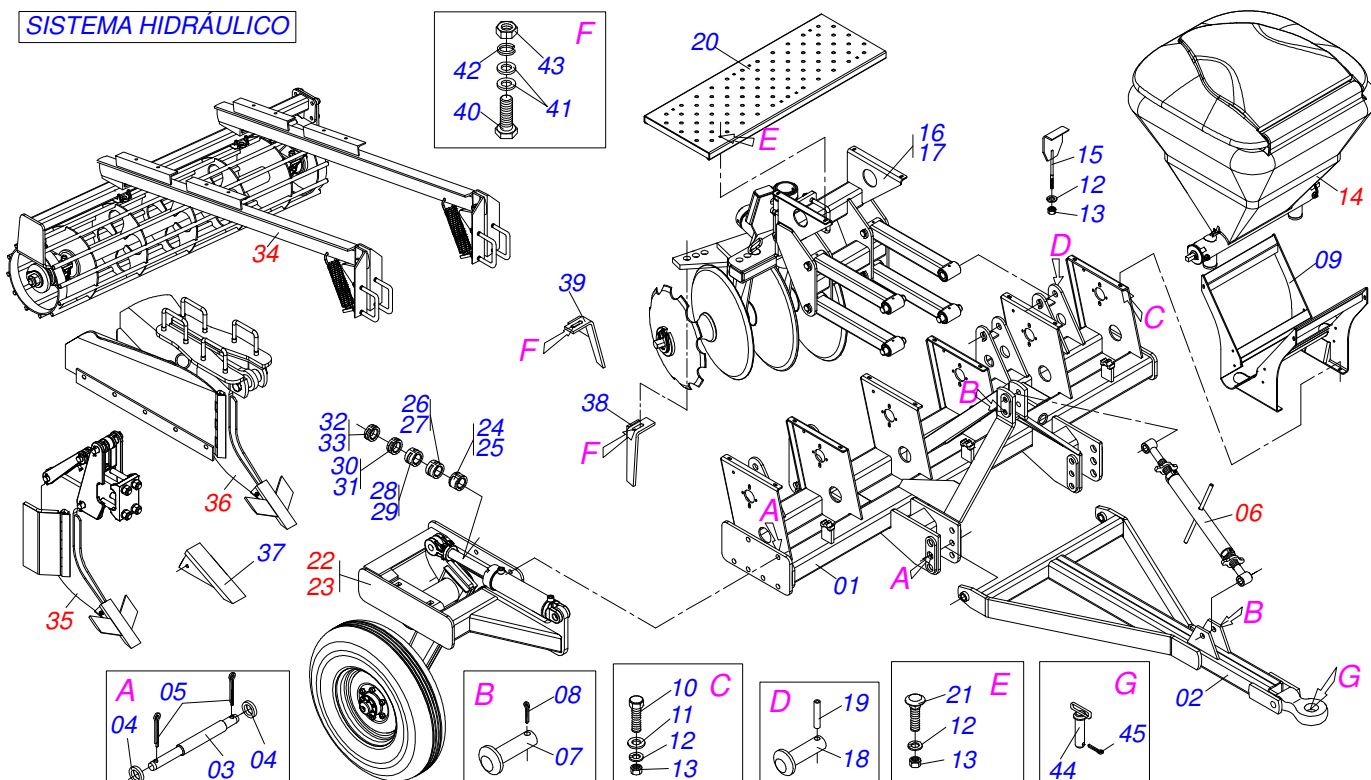
Date Rev.: MAIO/2011

ORIGINAL PARTS  
TATU



# INDEX

0909093061	FERTILIZER CULTIVATOR LOCATED OF CITRUS	.....	1
0909093066	CARRYING-WHEEL ASSY RIGHT LEFT	.....	2
0501047356	ESTABILIZER ASSY	.....	3
0909093062	BREAK ROLLER	.....	4
0501046922	7.5" X 1-1/4" OIL BATH BEARING	.....	5
0501042180	MANCAL AGR DM OL 192,5 X 1.1/4 IT	.....	7
0909093063	ASSEMBLY HARROW LEFT RIGHT ASSAY	.....	8
0501044315	9" X 1-1/2" OIL BATH BEARING	.....	9
0501057596	SHANKS SYSTEM ASSY S-0207	.....	10
0511047099	FURROWER ARM ASSY	.....	11
0501054990	FURROW WHEEL RIGHT SUPPORT	.....	12
0909093064	BEAN FERTILIZER ASSEMBLY	.....	13
0909093065	HYDRAULIC CIRCUIT	.....	14
0511043611	HYDRAULIC CYLINDER	.....	15
0501053421	VALVE MOTOR HYDRAULIC ASSY	.....	16



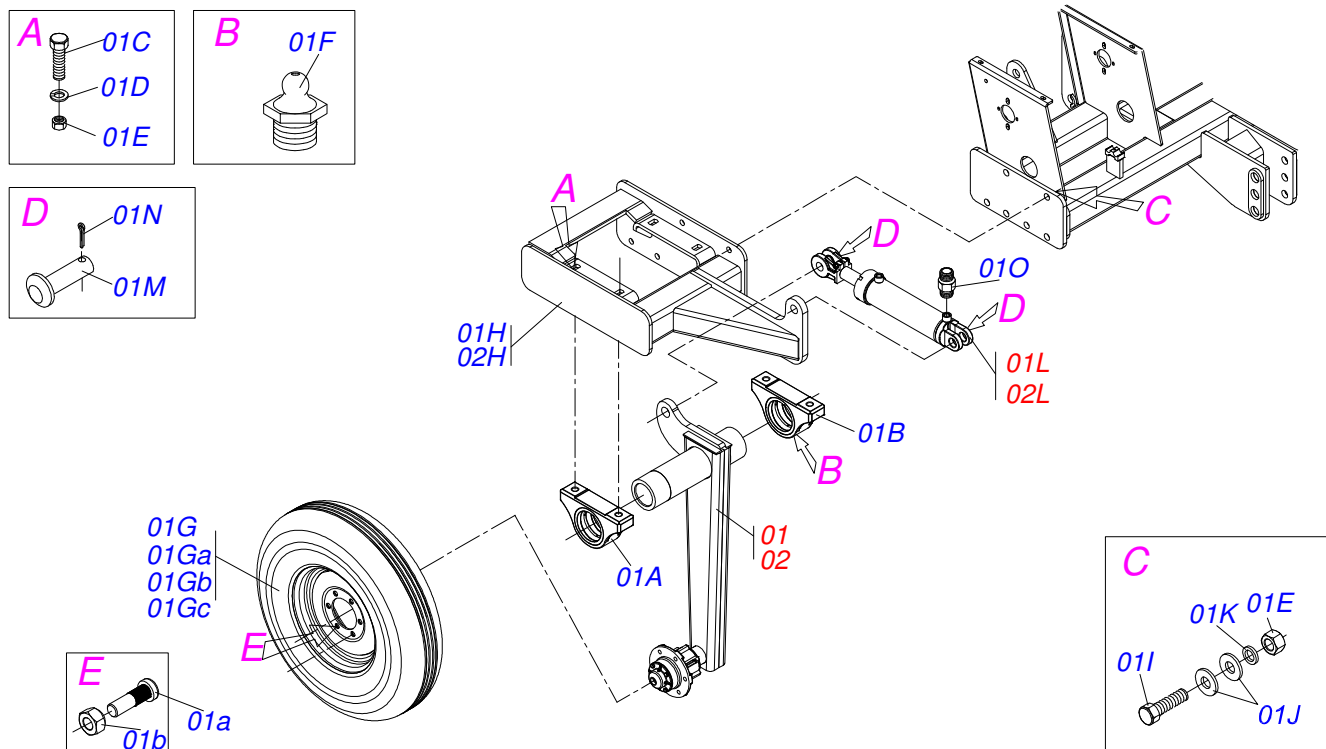
Item	Code	Description	QT
01	0501058123	SEMIFINISHED CALC A FRAME	01
02	0501067791	DRAWBAR	01
03	0551015886	COUPLING SHAFT	02
04	0501012916	FLAT WASHER 38,50 X 66 X 4,75 ZN	04
05	0503030430	7/16 X 2" PIN LOCK	04
06	0501047356	ESTABILIZER ASSY	01
07	0521010579	COUPLING SHAFT	02
08	0503010571	1/4" X 1.1/2 COTTERPIN	02
09	0511067109	SILO SUPPORT	03
10	0503010849	3/8" X 1-1/2" BOLT	12
11	0501010984	FLAT WASHER	27
12	0503010025	3/8 SPRING WASHER	43
13	0503010026	3/8" NUT	43
14	0501056813	BEAN FERTILIZER ASSY ATÉ 09/2006	03
15	0511067314	FASTENER SINGLE BOX FERTILIZER	06
16	0511045889	RIGHT GRID ASSY	01
17	0511045890	LEFT GRID ASSY	01
18	0551012149	31,75 X 130 AXLE	08
19	0503010839	03"X 0.6" SPRING PIN	08
20	0511069014	1160 CALC PLATFORM	02
21	0501011787	3/8" X 1-1/2" BOLT	16
22	0511046577	RH STUB SHAFT & HUB ASSY	01
23	0511046578	LEFT STUB SHAFT & HUB ASSY	01
23A	0511063025	SEED ROW LARGE TENSIONER	01
24	0501047887	ROD STOP	01
25	0501052865	1.57" ROD STOP	01
26	0501047888	ROD STOP	01
27	0501055024	45 ROD STOP	01
28	0501047889	1.96" ROD STOP	01
29	0501052866	1.96" ROD STOP	01
30	0511042292	2.16"ROD STOP	01
31	0501055025	55 ROD STOP	01
32	0501047899	2.4" ROD STOP	01



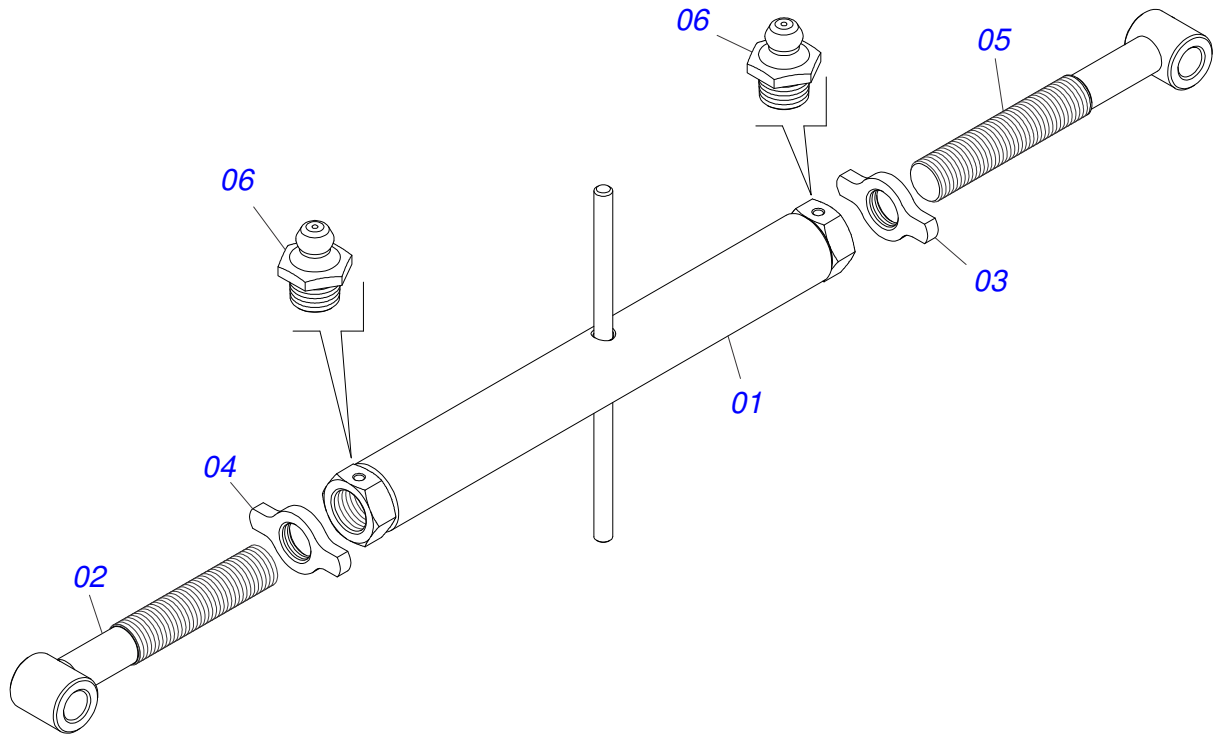
FERTILIZER CULTIVATOR LOCATED OF CITRUS

0909093061

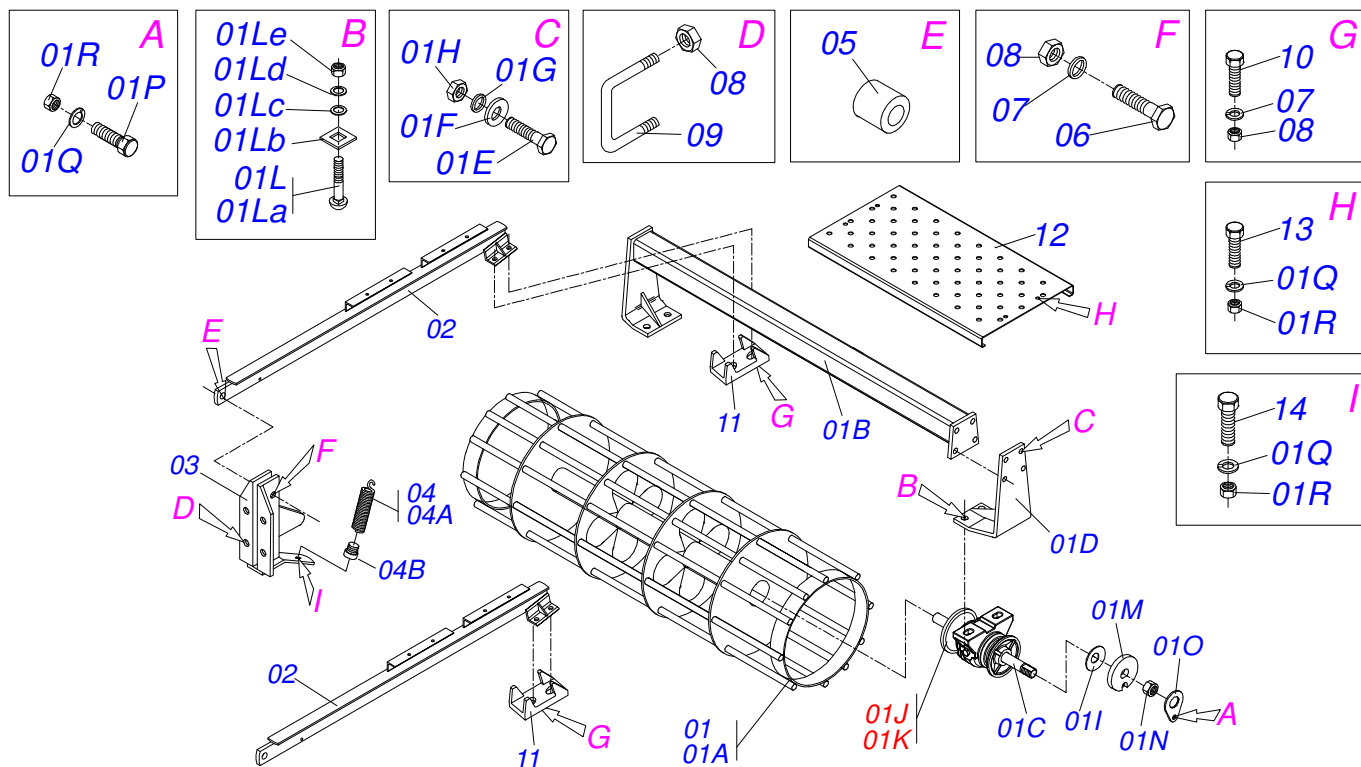
Item	Code	Description	QT
33	0501055026	61 ROD STOP	01
34	0511045884	BREAK ROLLER	01
35	0501057596	SHANKS SYSTEM ASSY S-0207	02
36	0511047099	FURROWER ARM ASSY	01
37	0511067841	POINT SUBSOILER	03
38	0501063962	REAR SCRAPER	01
39	0501063963	FRONT SCRAPER	01
40	0503011264	1/2" X 2-1/2" BOLT	02
41	0511017302	FLAT WASHER	04
42	0503010019	1/2" SPRING WASHER	02
43	0503010060	1/2" NUT	02
44	0501066637	DRAWBOLT	01
45	0503010073	3/8 X 3-1/2 COTTERPIN	02



Item	Code	Description	QT
00	0511046577	RH STUB SHAFT & HUB ASSY	01
00A	0511046578	LEFT STUB SHAFT & HUB ASSY	01
01	0501054990	FURROW WHEEL RIGHT SUPPORT	01
01A	0501110563	MANCAL ARTICULAÇÃO ESQUERDA C/LUVA	01
01B	0501110568	MANCAL ARTICULAÇÃO DIREITA C/LUVA	01
01C	0503010901	3/4UNC 3.1/2 BOLT	04
01D	0501010322	FLAT WASHER	04
01E	0503010014	3/4" NUT	11
01F	0503010002	1800 GREASE FITTING	02
01G	0503060091	L29.5"X0.63"-10L WHEEL AND	01
01Ga	0503010893	WHEEL	01
01Gb	0503010033	7.50 X 16 INNER TIRE	01
01Gc	0503010120	CANVAS TIRE	01
01H	0511069543	WHEELS RIGHT FIXER	01
01I	0503013390	3/4" UNC BOLT	07
01J	0501012425	FLAT WASHER	14
01K	0503010023	SPRING WASHER	07
01L	0511043611	HYDRAULIC CYLINDER	01
01M	0521012538	1.2" X 3.5" COUPLING SHAFT	02
01N	0503010523	1/4" X 2" COTTERPIN	02
01O	0501043271	3/4" NIPPLE WITH O'RING (5/16)	02
02	0501054991	LH SUPPORT STUB SHAFT & HUB	01
02H	0511069542	WHEELS LEFT FIXER	01
02L	0511043610	CIL H 53,98 X 101,6 X 563 X 251 BP	01



Item	Code	Description	QT
01	0501068095	850 ADJUSTMENT NUT	01
02	0501068096	RIGTH TURNBUCKLE	01
03	0541018673	COUNTERNUT	01
04	0541018672	COUNTERNUT	01
05	0501068097	LEFT TURNBUCKLE	01
06	0503010002	1800 GREASE FITTING	02



Item	Code	Description	QT
01	0501055245	BREAK ROLLER ASSY	00
01A	0511065384	1710 BREAK ROLLER	01
01B	0511065381	1729 BREAK ROLLER SUPPORT	01
01C	0541011903	1.1/4" X 1755 AXLE	01
01D	0511064543	SAPATA ROLO DESTORROADOR	01
01E	0501010100	5/8 UNC X 2 C S G.5 BOLT	04
01F	0501012140	FLAT WASHER	04
01G	0503011445	SPRING WASHER	04
01H	0503010013	5/8" NUT	04
01I	0531018575	ARRUELA CONCAVA 33,50X 140X 4,75	02
01J	0501046922	7.5" X 1-1/4" OIL BATH BEARING	01
01K	0501042180	MANCAL AGR DM OL 192,5 X 1.1/4 IT	01
01L	0501048788	CONJUNTO PCS IMPL 5/8 UNC X 2.1/2 CA	04
01La	0501014177	5/8" X 2-1/2" BOLT	01
01Lb	0501010947	5/8 NUT LOCK	01
01Lc	0501012140	FLAT WASHER	01
01Ld	0503011445	SPRING WASHER	01
01Le	0503010013	5/8" NUT	01
01M	0502010835	1-1/4" EXTERNAL AXLE WASHER	02
01N	0501010087	1.1/4" NUT	02
01O	0501010455	1.1/4" NUT LOCK	02
01P	0501010161	1/2" X 1.1/4" BOLT	02
01Q	0503011440	SPRING WASHER	05
01R	0503010060	1/2" NUT	02
02	0511068642	BREAK ROLLER ARM	02
03	0501068437	BREAK ROLLER SUPPORT FIXATION	02
04	0501053355	HITCH TRACTION SPRING	02
04A	0503030806	2.3" X 8" X 0.3" TRACTION SPRING	02
04B	0502011060	SUPPORT SPRING	02
05	0511018178	BUSHING	02
06	0501010827	3/4" X 2-3/4" BOLT	02
07	0503011442	3/4" SPRING WASHER	34
08	0503010014	3/4" NUT	34

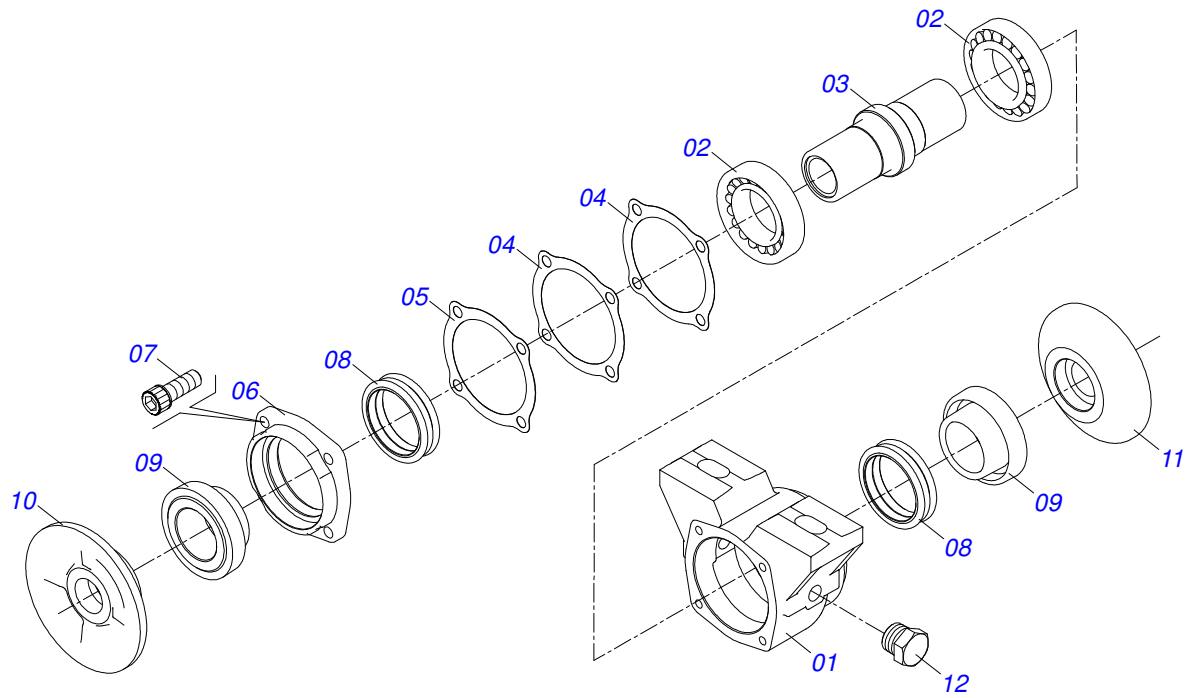


**CALC ARRASTO**  
**BREAK ROLLER**

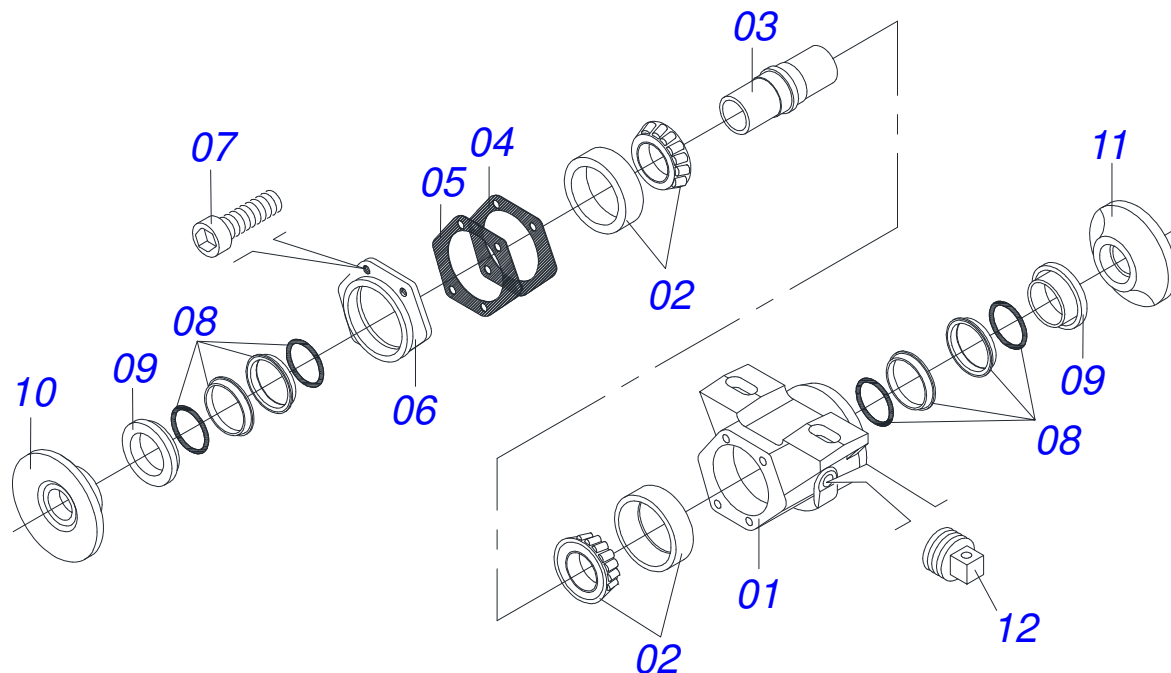
Page 4  
0909093062

<b>Item</b>	<b>Code</b>	<b>Description</b>	<b>QT</b>
09	0521014574	3/4" FASTENE	14
10	0501010216	3/4" X 4-1/2" BOLT	04
11	0502011170	FIXER	02
12	0551018718	PLATFORM	02
13	0503010834	1/2 X 1 BOLT	08
14	0503011264	1/2" X 2-1/2" BOLT	02

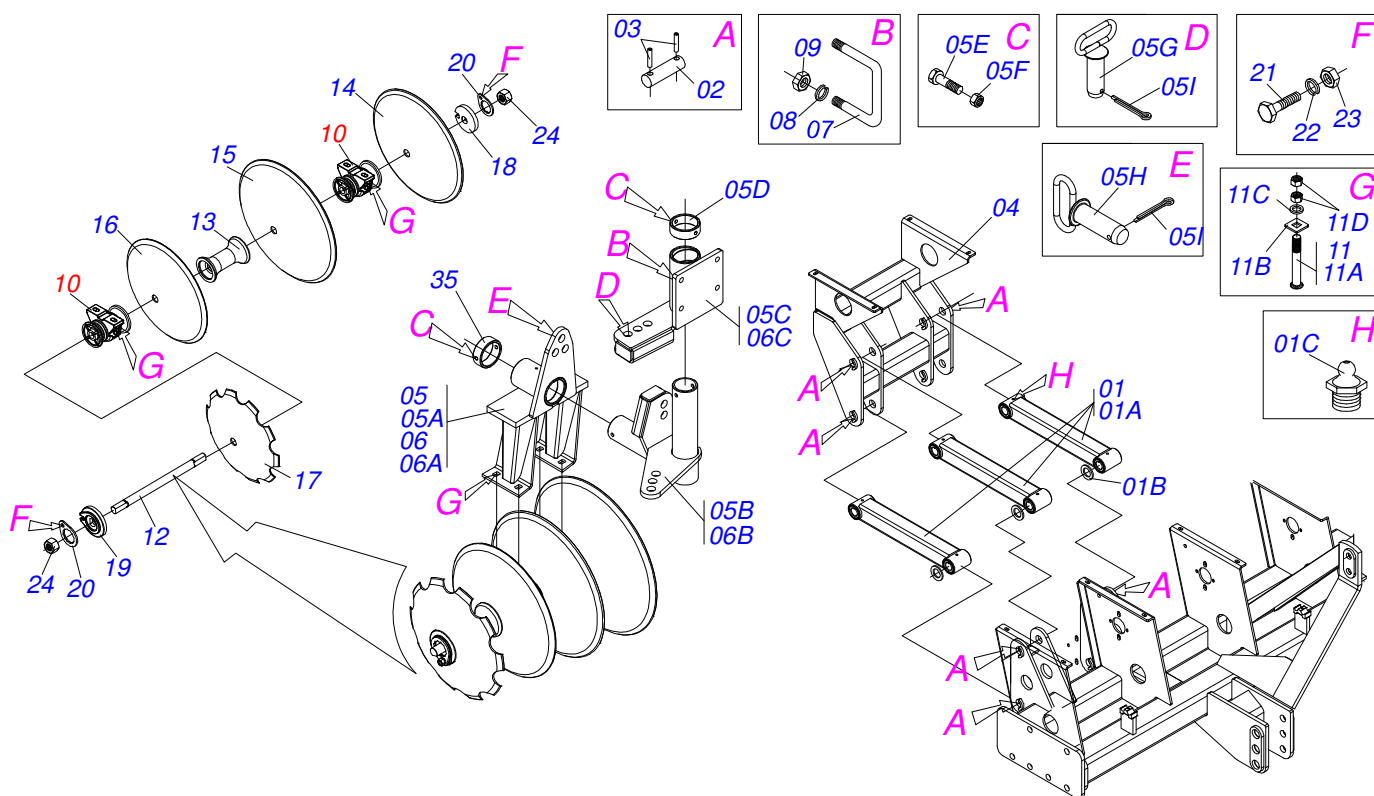




Item	Code	Description	QT
01	0502010540	HOUSING DM	01
02	0503010111	30210 ROLLER BEARING	02
03	0502040218	AXLE	01
04	0503030013	4.4" X 3.5" X 0.004" JOINT	02
05	0503030684	4.4" X 3.5" X 0.004" JOINT	01
06	0502020424	HOUSING CAP DM	01
07	0503010134	3/8" X 1" BOLT	04
08	0503030026	SEAL LP JB-253	02
09	0502010541	SEAL RETAINER	02
10	0502010070	OUTER FLANGE	01
11	0502010071	INNER FLANGE	01
12	0503010856	OIL PLUG	01



Item	Code	Description	QT
01	0502010539	HOUSING DM	01
02	0503010111	30210 ROLLER BEARING	02
03	0502040218	AXLE	01
04	0503030013	4.4" X 3.5" X 0.004" JOINT	02
05	0503030684	4.4" X 3.5" X 0.004" JOINT	01
06	0502020424	HOUSING CAP DM	01
07	0503010134	3/8" X 1" BOLT	04
08	0503030026	SEAL LP JB-253	02
09	0502010541	SEAL RETAINER	02
10	0502010070	OUTER FLANGE	01
11	0502010071	INNER FLANGE	01
12	0503010856	OIL PLUG	01



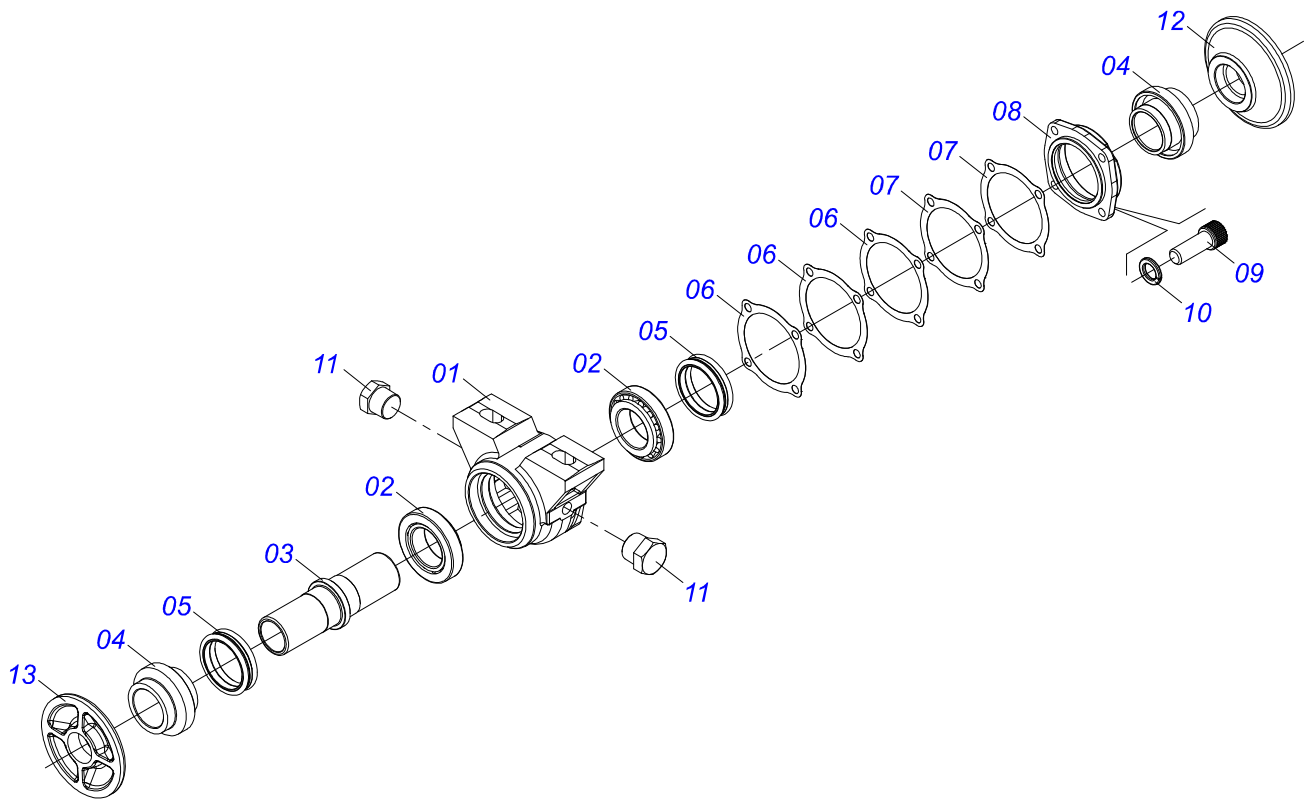
Item	Code	Description	QT
01	0501057600	ROCKING DRIVER	04
01A	0511068644	ROCKING DRIVER	04
01B	0521012120	WASHER	16
01C	0503010002	1800 GREASE FITTING	08
02	0551012149	31,75 X 130 AXLE	08
03	0503010839	03"X 0.6" SPRING PIN	16
04	0511068643	HORROW FRAME	01
05	0511046252	FRAME ASSY	01
05A	0511069048	FRAME ASSY	01
05B	0511061690	LH REGULATOR	01
05C	0511061688	LEFT SUPPORT	01
05D	0521019001	3.779" X 4.488" X 1.574" SLEEVE	02
05E	0503010384	1/2" X 5" BOLT	02
05F	0503010060	1/2" NUT	02
05G	0511061692	COUPLING SHAFT WITH PULL	01
05H	0511063518	1.25" X 3.74" COUPLING SHAFT	01
05I	0503030012	HAIR PIN	02
06	0511046253	RIGHT FRAME ASSY	01
06A	0511069049	RH FRAME	01
06B	0511061689	RH REGULATOR	01
06C	0511061687	RIGHT SUPPORT	01
07	0521010660	3/4" X 5.9" X 5.1" FASTENER	02
08	0503010023	SPRING WASHER	04
09	0503010014	3/4" NUT	04
10	0501044315	9" X 1-1/2" OIL BATH BEARING	02
11	0501048788	CONJUNTO PCS IMPL 5/8 UNC X 2.1/2 CA	04
11A	0501014177	5/8" X 2-1/2" BOLT	01
11B	0501010947	5/8 NUT LOCK	01
11C	0501012140	FLAT WASHER	01
11D	0503010013	5/8" NUT	02
12	0511010766	1-1/2" X 810 AXLE ASSY	01
13	0502010621	8.8" 1-1/2" SPACER	01
14	0601033196	26" X 6MM PLAIN DISC BLADE	01



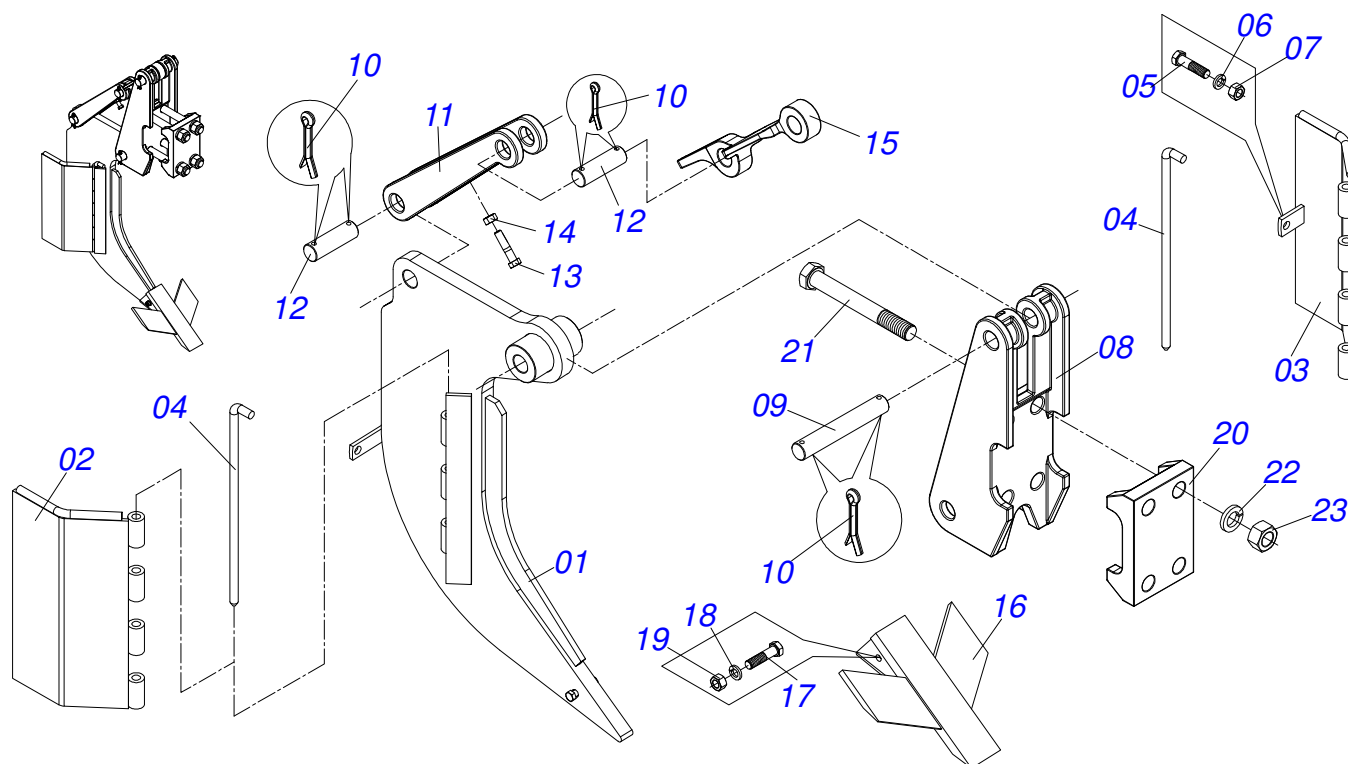
ASSEMBLY HARROW LEFT RIGHT ASSAY

0909093063

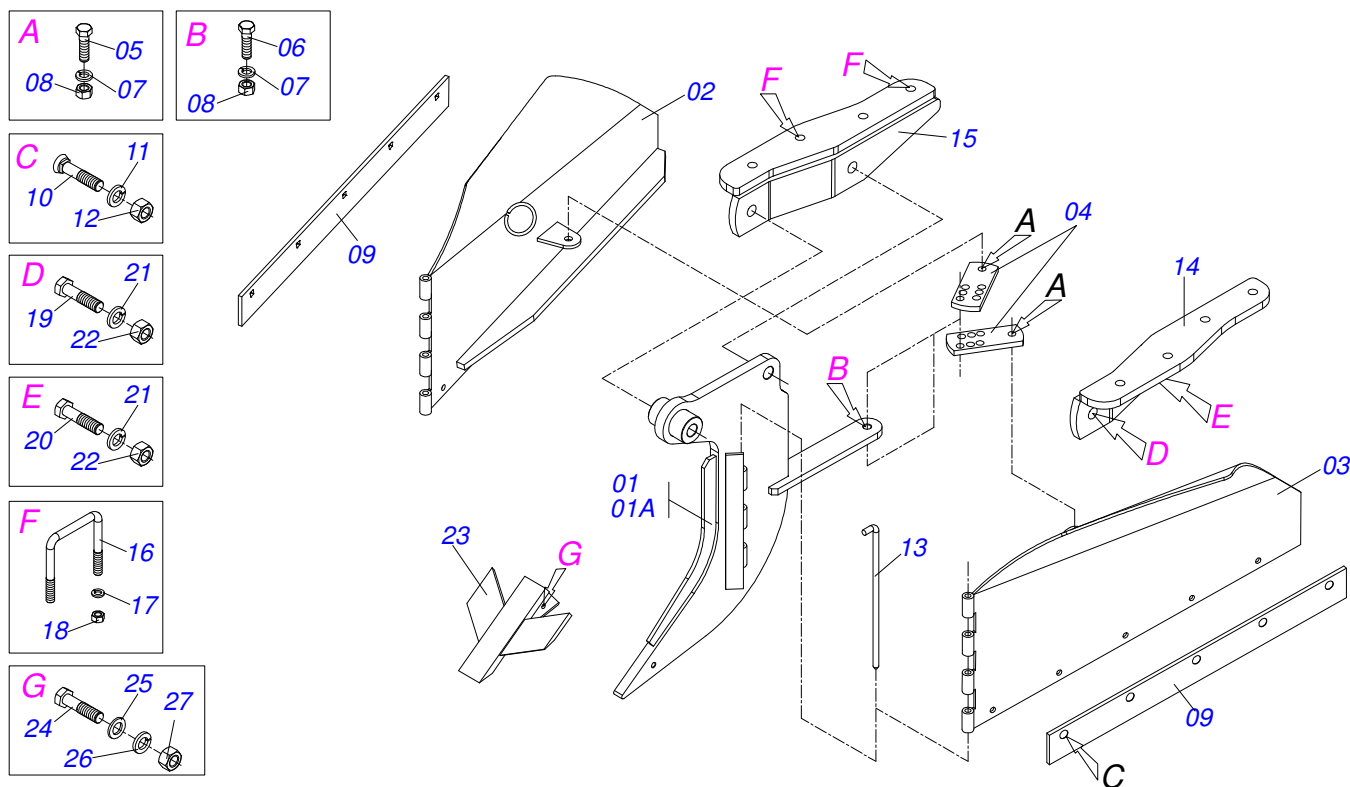
Item	Code	Description	QT
15	0601031031	24" X 6 PLAIN DISC BLADE	01
16	0601029180	22" X 6MM PLAIN DISC BLADE	01
17	0602027288	20" X 0.236" NOTCHED DISC BLADE	01
18	0502010872	1-1/2" INNER AXLE WASHER	01
19	0502010871	1-1/2" EXTERNAL AXLE WASHER	01
20	0501018592	1.5/8" NUT LOCK	02
21	0503011267	5/8" X 1.1/2" BOLT	02
22	0503010027	SPRING WASHER	02
23	0503010013	5/8" NUT	02
24	0501010110	1.1/2" NUT	02



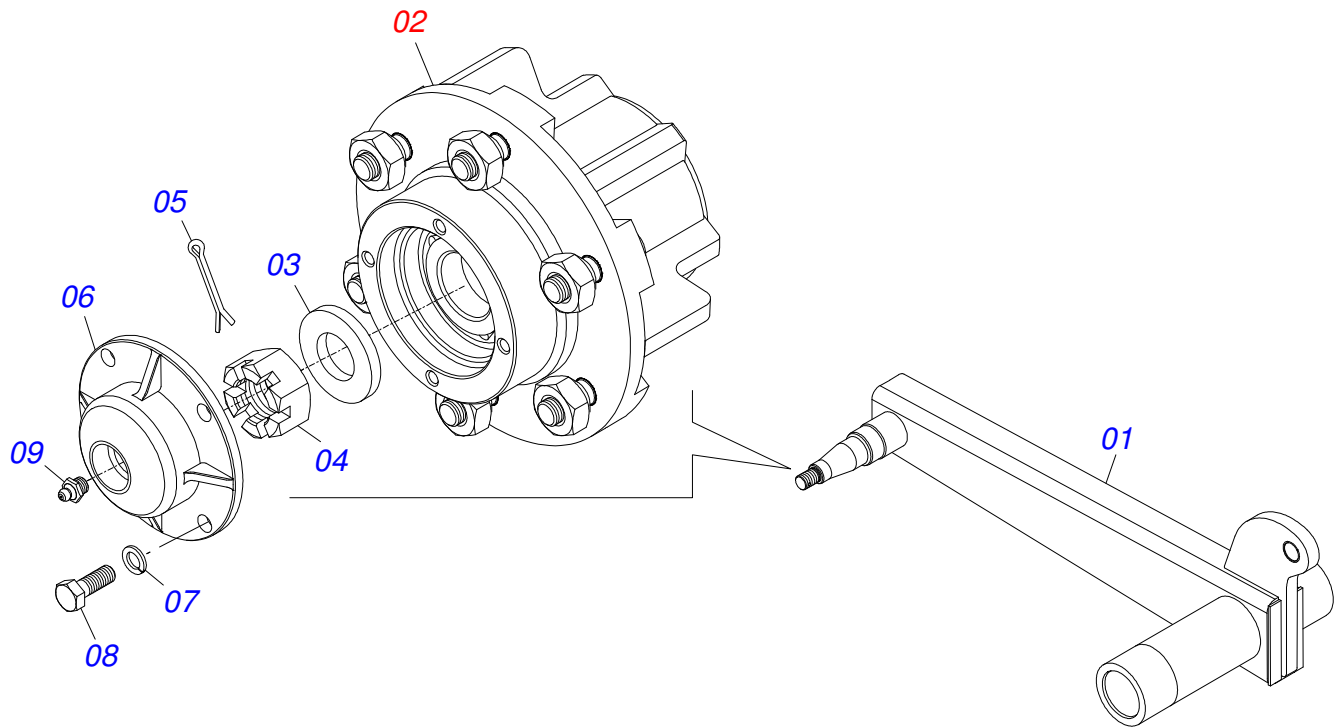
Item	Code	Description	QT
01	0502010540	HOUSING DM	01
02	0503010006	32210 ROLLER BEARING	02
03	0502040611	AXLE	01
04	0502010821	SEAL RETAINER	02
05	0503030026	SEAL LP JB-253	02
06	0503030013	4.4" X 3.5" X 0.004" JOINT	03
07	0503030684	4.4" X 3.5" X 0.004" JOINT	02
08	0502020424	HOUSING CAP DM	01
09	0503010134	3/8" X 1" BOLT	04
10	0503011443	SPRING WASHER	04
11	0503010856	OIL PLUG	02
12	0502010604	OUTER FLANGE	01
13	0502010605	INNER FLANGE	01



Item	Code	Description	QT
00	0501057596	SHANKS SYSTEM ASSY S-0207	01
01	0511068641	SUBSOILER ARM	01
02	0511068936	RIGHT WING	01
03	0511068937	LFT WING	01
04	0521012821	PIVOT SHAFT	02
05	0503010834	1/2 X 1 BOLT	02
06	0503011440	SPRING WASHER	02
07	0503010060	1/2" NUT	02
08	0502011165	REAR FIXER	01
09	0511015688	1.1" X 7.1" COUPLING SHAFT	01
10	0503010571	1/4" X 1.1/2 COTTERPIN	02
11	0502011164	SUPPORT SPRING	01
12	0511015689	1.1" X 3.5" COUPLING SHAFT	01
13	0503011195	7/16" X 1.3/4" BOLT	01
14	0503010244	7/16" NUT	01
15	0521011631	AUTOMATIC RESET	01
16	0511067838	POINT SUBSOILER	01
17	0503011236	3/8" X 2" BOLT	01
18	0503011443	SPRING WASHER	01
19	0503010026	3/8" NUT	01
20	0502011166	FRONT FIXER	01
21	0511019527	1" X 8" BOLT	04
22	0503011438	SPRING WASHER	04
23	0503010340	1" NUT	04

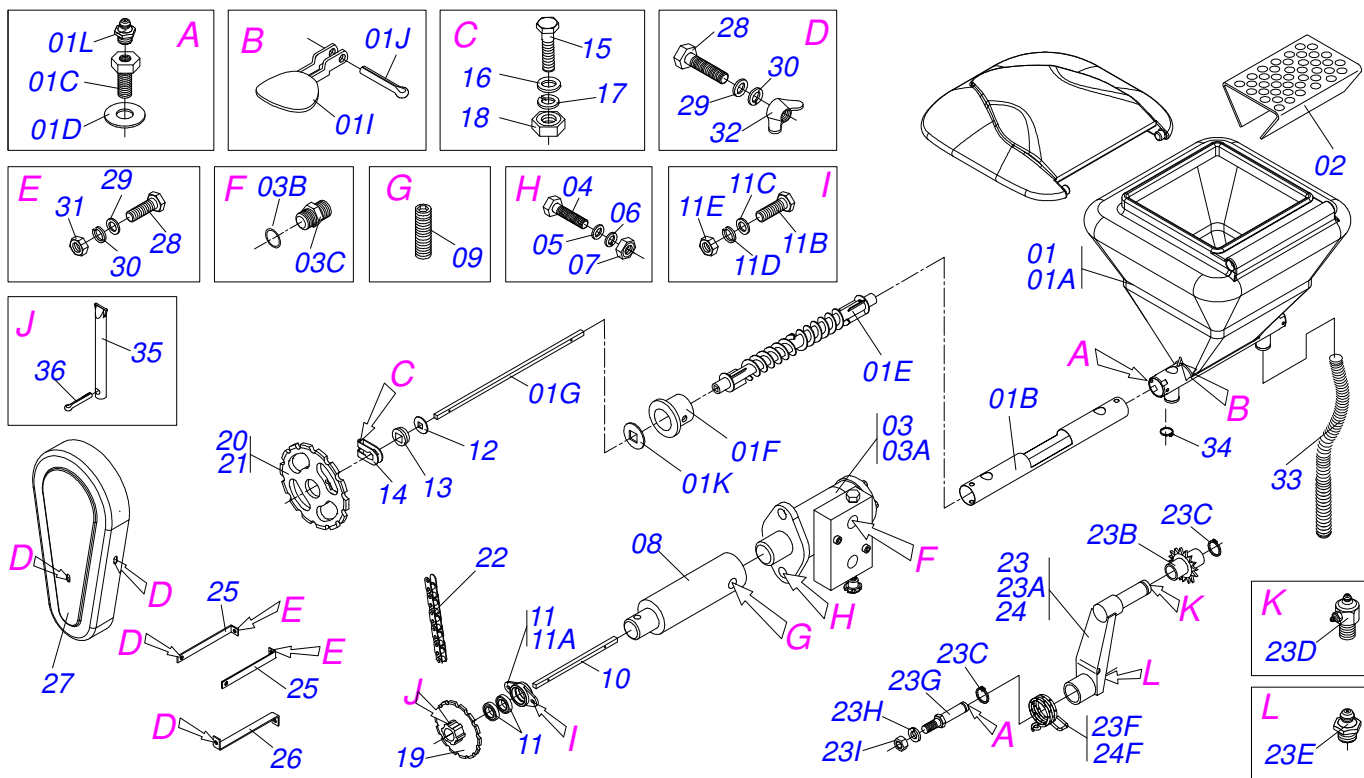


Item	Code	Description	QT
01	0501069713	FURROWER ARM	01
02	0511067531	WING RIGHT SET	01
03	0511067530	WING LEFT SET	01
04	0551011638	ADJUSTMENT BAR	02
05	0501010100	5/8 UNC X 2 C S G.5 BOLT	02
06	0503010233	5/8" X 2-1/2" BOLT	01
07	0503010027	SPRING WASHER	03
08	0503010013	5/8" NUT	03
09	0551013447	SCRAPER	02
10	0503012956	1/2" X 1-1/2" BOLT	10
11	0503010019	1/2" SPRING WASHER	10
12	0503010020	1/2"NUT	10
13	0521012821	PIVOT SHAFT	02
14	0511069748	LH CENTRAL FIXING BASE	01
15	0511069747	RH CENTRAL FIXING BASE	01
16	0551019360	3/4 X 155 X 145 FASTENER	04
17	0503010023	SPRING WASHER	08
18	0503010014	3/4" NUT	08
19	0501010334	1" X 7" BOLT	01
20	0503011432	1" X 4" BOLT	01
21	0503010012	1" SPRING WASHER	02
22	0501010059	1.5/8 NUT	02
23	0511067839	POINT PLOW ALADA UNIVERSAL	01
24	0503011236	3/8" X 2" BOLT	01
25	0501010984	FLAT WASHER	01
26	0503010025	3/8 SPRING WASHER	01
27	0503010026	3/8" NUT	01



Item	Code	Description	QT
01	0511065157	RIGHT CARRYING-WHEELS	01
02	0501051142	CARRYING WHEEL HUB	01
03	0501016545	FLAT WASHER	01
04	0503030009	1" CASTLE NUT	01
05	0503010018	5/32 X 1-1/2 COTTERPIN	01
06	0502020591	PROTECCION COVER	01
07	0503011444	SPRING WASHER	04
08	0503010358	5/16" X 5/8" BOLT	04
09	0503010002	1800 GREASE FITTING	01



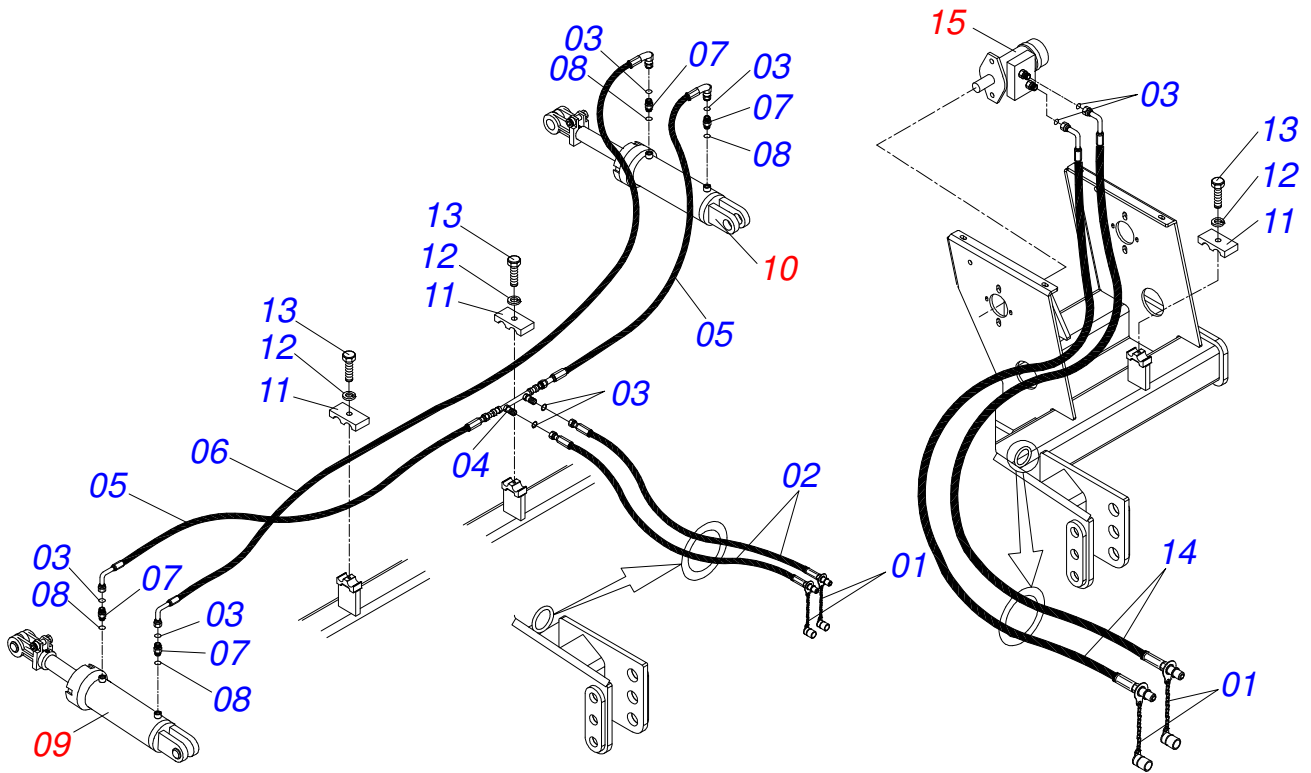


Item	Code	Description	QT
01	0501056813	BEAN FERTILIZER ASSY ATÉ 09/2006	01
01A	0503061556	COVER FERTILIZER BOX	01
01B	0503032838	TUBE GUIDE	01
01C	0541014215	BEARING BOLT	04
01D	0511017302	FLAT WASHER	04
01E	0511065979	SCREW THREAD	01
01F	0551011421	SCREW THREAD BEARING	02
01G	0541014214	SQUARE SHAFT	01
01J	0551013391	COVER SOCKET	02
01K	0501010637	FLAT WASHER	02
01L	0503010691	1/4" GREASE FITTING	04
02	0551019540	FERTILIZER BOX SIEVE	03
03	0501053421	VALVE MOTOR HYDRAULIC ASSY	01
03A	0503012829	VALVE HYDRAULIC MOTOR ASSY	01
03B	0503010045	2-116 N 3006-9B O'RING	02
03C	0501010590	7/8" REDUCTION NIPPLE	02
04	0503011172	1/2" X 2-1/2" BOLT	02
05	0511017302	FLAT WASHER	02
06	0503010019	1/2" SPRING WASHER	02
07	0503010060	1/2" NUT	02
08	0501069662	MOTOR HYDRAULIC SLEEVE	01
09	0503011136	1/2" X 1/2" CSI BOLT	01
10	0551015363	SQUARE AXLE	01
11	0501053121	CENTRAL BEARING GEAR BOX	02
11A	0502011978	HOUSING CENTRAL BEARING	02
11B	0503011410	ROLLER BEARING	04
11C	0503011953	5/16" X 1" BOLT	04
11D	0501010694	FLAT WASHER	04
11E	0503010179	SPRING WASHER	04
11F	0503010337	5/16" NUT	04
12	0521018630	1.4" X SQUARE 0.8" WASHER	02
13	0503030303	SUPPORT WASHER	02

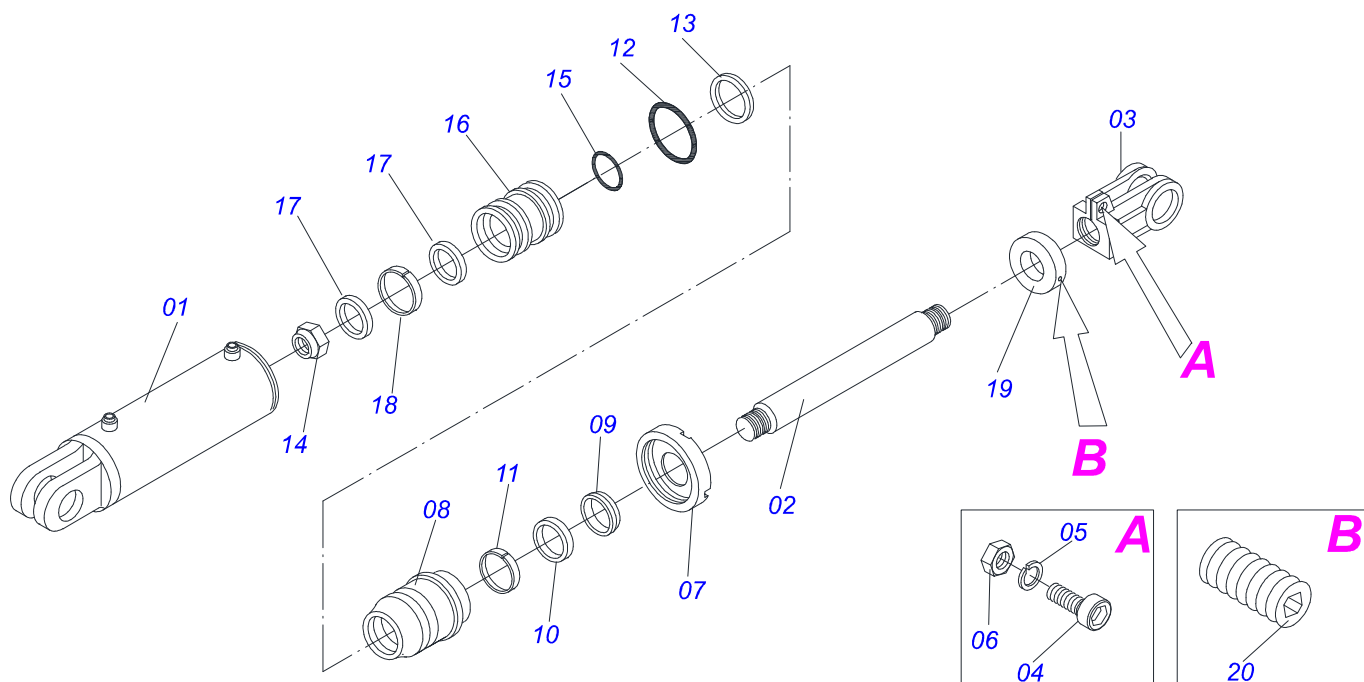


CALC ARRASTO  
BEAN FERTILIZER ASSEMBLY

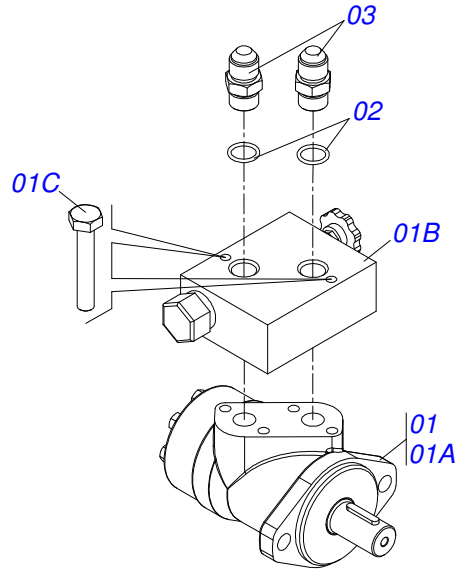
Item	Code	Description	QT
14	0521010691	AXLE FASTENER	11
15	0503010373	1/4" X 2" BOLT	11
16	0501010694	FLAT WASHER	11
17	0503010143	SPRING WASHER	11
18	0503010144	1/4" NUT	11
19	0502011307	6Z GEAR	01
20	0502011325	12Z P 1.2" GEAR	02
21	0502011318	10Z GEAR	03
22	0503014266	2050 CHAIN X 31 LINK + MENDING+REDUCTION	03
23	0501057924	CHAIN TENSIONER ASSY	02
23A	0511063025	SEED ROW LARGE TENSIONER	02
23B	0503030402	PULLEY	02
23C	0503010302	501019 SEAL RING	02
23D	0503010004	1890 GREASE FITTING	02
23E	0503010003	1845 GREASE FITTING	02
23F	0503031367	SPRING	02
23G	0511069169	CHAIN TENSIONER PIVOT AXLE	02
23H	0503010019	1/2" SPRING WASHER	02
23I	0503010060	1/2" NUT	02
24	0501058489	CHAIN TENSIONER ASSY	01
24F	0503031366	RH TORSION SPRING	01
25	0541019406	CHAIN CAP UPPER SUPPORT	06
26	0541019404	CHAIN CAP LOWER SUPPORT	03
27	0503032920	CHAIN CAP	03
28	0503011087	3/8" X 1" BOLT	06
29	0501010984	FLAT WASHER	03
30	0503010025	3/8 SPRING WASHER	06
31	0503010026	3/8" NUT	03
32	0503010209	3/8" UNC BUTTERFLY NUT	03
33	0551013641	2.1/2" X 1430 HOSE ASSY	06
34	0503011266	CLAMP 2.1/4" A 3" 57-76	06
35	0521010530	COUPLING SHAFT	01
36	0503010140	1/8" X 3/4" COTTERPIN	01



Item	Code	Description	QT
01	0501053834	MALE QUICK COUPLING AGRICULTURAL WITH	04
02	0501080384	TR-TM HOSE ASSY	02
03	0503011030	2-014 N 3006-9B O-RING	08
04	0501068088	OIL TUBE	01
05	0501080461	TR-TC HOSE ASSY	02
06	0501080748	3/8" X 122" TC-TC HOSE ASSY	01
07	0503030923	3/4" UNF X 13/16UN OFS X 40 NIPPLE	04
08	0503010190	2-114 N 3006-9B O-RING	04
09	0511043611	HYDRAULIC CYLINDER	01
10	0511043610	CIL H 53,98 X 101,6 X 563 X 251 BP	01
11	0502010477	UPPER CLIP	03
12	0503010025	3/8 SPRING WASHER	03
13	0503010751	C3/8" X 1.1/4" HEX BOLT G.5	03
14	0501080679		02
15	0501053421	VALVE MOTOR HYDRAULIC ASSY	01



Item	Code	Description	QT
01	0511066480	85,72 X 430 CYLINDER CASE	01
02	0521016677	1.75" X 17.5" TURNBUCLE	01
03	0502040747	FORK	01
04	0503011094	3/8" X 2" BOLT C C S I 12.9	01
05	0503010025	3/8 SPRING WASHER	01
06	0503010026	3/8" NUT	01
07	0502010993	DETACHABLE COVER	01
08	0502010781	RING SUPPORT	01
09	0503010761	D-1750 SCRAPER RING	01
10	0503010990	GASKET	01
11	0503010949	W2-2000-500 PK RING G.E	01
12	0503010976	2-336 N 3006-9B O-RING	01
13	0503011060	8-336 BACK-UP RING	01
14	0503010063	1" SELF-ALIGNING NUT	01
15	0503010042	2-214 N 3006-9B O-RING	01
16	0502011847	1.7" X 3.4" PISTON	01
17	0503012509	GASKET	02
18	0503010948	W4-3346-590 PK RING G.E	01
19	0511018115	1.8" X 0.1" 0.7" BUSHING	01
20	0503011148	3/8" X 1/2" BOLT	01



Item	Code	Description	QT
01	0503012829	VALVE HYDRAULIC MOTOR ASSY	01
01A	0503014364	MOTOR W/ AXLE	01
01B	0503014365	VALVE	01
01C	0503010373	1/4" X 2" BOLT	02
02	0503010045	2-116 N 3006-9B O'RING	02
03	0501010590	7/8" REDUCTION NIPPLE	02





**MARCHESAN IMPLEMENTOS E MÁQUINAS AGRÍCOLAS TATU S.A.**

AV. Marchesan, 1979 - Post office box, 131 - CEP 15994-900 - Matão - SP - Brazil

Phone +55 16.3382-8282

(FAX Parts) + 55 16.3382. 8297 - (Export) + 55 16.3382.1003

e.mail: [tatu@marchesan.com.br](mailto:tatu@marchesan.com.br) [www.marchesan.com.br](http://www.marchesan.com.br)

**Technical Publications: Elaboration**

JOÃO VIRGINIO ROCHA

*Contact Catálogo:*

*E-mail = [jgaspari@marchesan.com.br](mailto:jgaspari@marchesan.com.br)*

**ORIGINAL PARTS  
TATU**

