

DISK PLOW/MOLDBOARD PLOW/TERRACING PLOW

TSTA - 14/16/18/20/22/24D

Code: 0501091236

Series: S-0107

Revision: 00

Date Revision: JULHO/2022

PARTS CATALOGUE



MARCHESAN



PRODUCTS

Code	Description
0101090059	TSTA 14 X 26 X 6,00 DM S-0107
0101090077	TSTA 14 X 26 X 6,00 DM P11L15 S0107
0101090003	TSTA 14X26X6,00 DL DMO E 1.5/8 C/6 MANC S-0107
0101090007	TSTA 14X26X6,00 DM 6MANC P11L15 S07
0101090002	TSTA 14X26X6,00 DM C/6 MANC S-0107
0101090063	TSTA 16 X 26 X 6,00 DM S-0107
0101090081	TSTA 16 X 26 X 6,00 DM P11L15 S0107
0101090062	TSTA 16 X 26" X 6,00 CM S-0107
0101090070	TSTA 16X26X6,00 CM C/6 MANC S-0107
0101090071	TSTA 16X26X6,00 DM C/6 MANC S-0107
0101090085	TSTA 16X26X6,00 DM C/6 MANC 11L15
0101090064	TSTA 18 X 26 X 6,00 CM S-0107
0101090082	TSTA 18 X 26 X 6,00 CM P11L15 S0107
0101090008	TSTA 18 X 26 X 6,00 DL DMO E 1.5/8 S-0107
0101090065	TSTA 18 X 26 X 6,00 DM S-0107
0101090083	TSTA 18 X 26 X 6,00 DM P11L15 S0107
0101090006	TSTA 18X26/24/22/20/18X6DM S/PNS107
0101090060	TSTA 20 X 26 X 6,00 CM S-0107
0101090078	TSTA 20 X 26 X 6,00 CM P11L15 S0107
0101090061	TSTA 20 X 26 X 6,00 DM S-0107
0101090079	TSTA 20 X 26 X 6,00 DM P11L15 S0107
0101090005	TSTA 20 X 26 X 6,00 DM S/RODA/DISCO
0101090076	TSTA 22 X 26 X 6,00 CM P11L15 S0107
0101090056	TSTA 22 X 26 X 6,00 DM S-0107
0101090074	TSTA 22 X 26 X 6,00 DM P11L15 S0107
0101090004	TSTA 22 X 26 X 6,00 DM S/RODA/DISCO
0101090058	TSTA 22 X 26" X 6,00 CM S-0107
0101090001	TSTA 24 X 26 X 6,00 CM S-0107
0101090072	TSTA 24 X 26 X 6,00 DM S-0107
0101090084	TSTA 24 X 26 X 6,00 DM P11L15 S0107

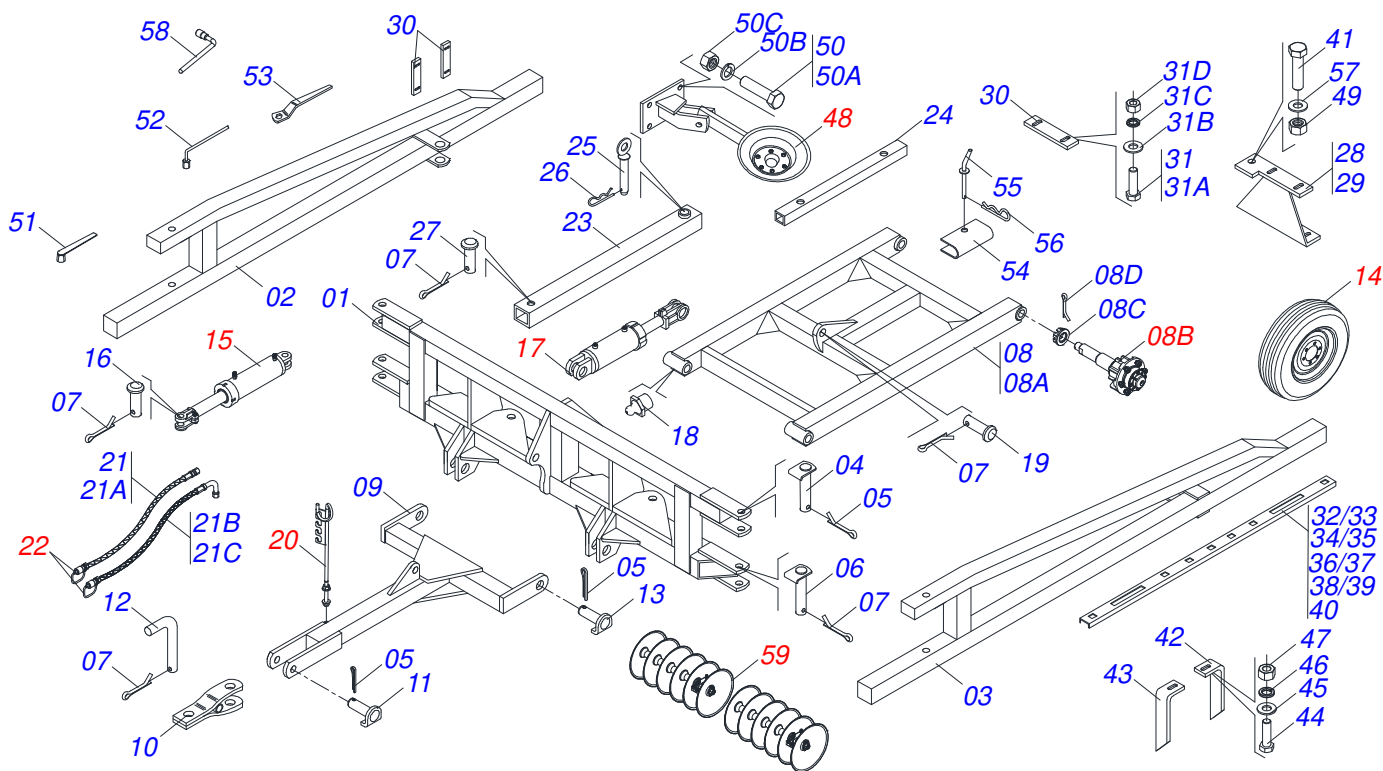
ATTENTION: IMPORTANT

Marchesan S.A. reserves the right to improve and/or modify the technical features of its products, without obligation to do the same with those products already sold and without prior knowledge of the dealer or the consumer. The photos are only illustrative.



INDEX

0909093122	ASSY FRAME - 14/16/18/20/22/24D	1
0501051634	TSTUB SHAFT & HUB ASSY	2
0501051142	CARRYING WHEEL HUB	3
0501049338	HYDRAULIC CYLINDER 44,45 X 85,72 X 515 X 203	4
0511058298	HYDRAULIC CYLINDER 44,45 X 85,7 X 515 X 203	5
0511045849	50,8 X 101,6 X 680 X 397 HYDRAULIC CYLINDER	6
0501040257	3/4 X 1200 HOSE HOLDER A	7
0501053834	MALE QUICK COUPLER	8
0909090451	FURROW WHEEL	9
0909090452	GANG DISC	10
0501043085	CM GX 8.86" 1-1/8" BEARING ASSY	11
0501043086	CM GX 8.86" 1-5/8" BEARING ASSY	12
0501043197	8.86" X 1-5/8" OIL BATH BEARING	13
0511048374	BEARING DM OL 225 X 1.5/8" OSCILLATING WITH SUPPORT PROTECTION IMP	14
0501059734	225 OSCILLATING BEARING	15

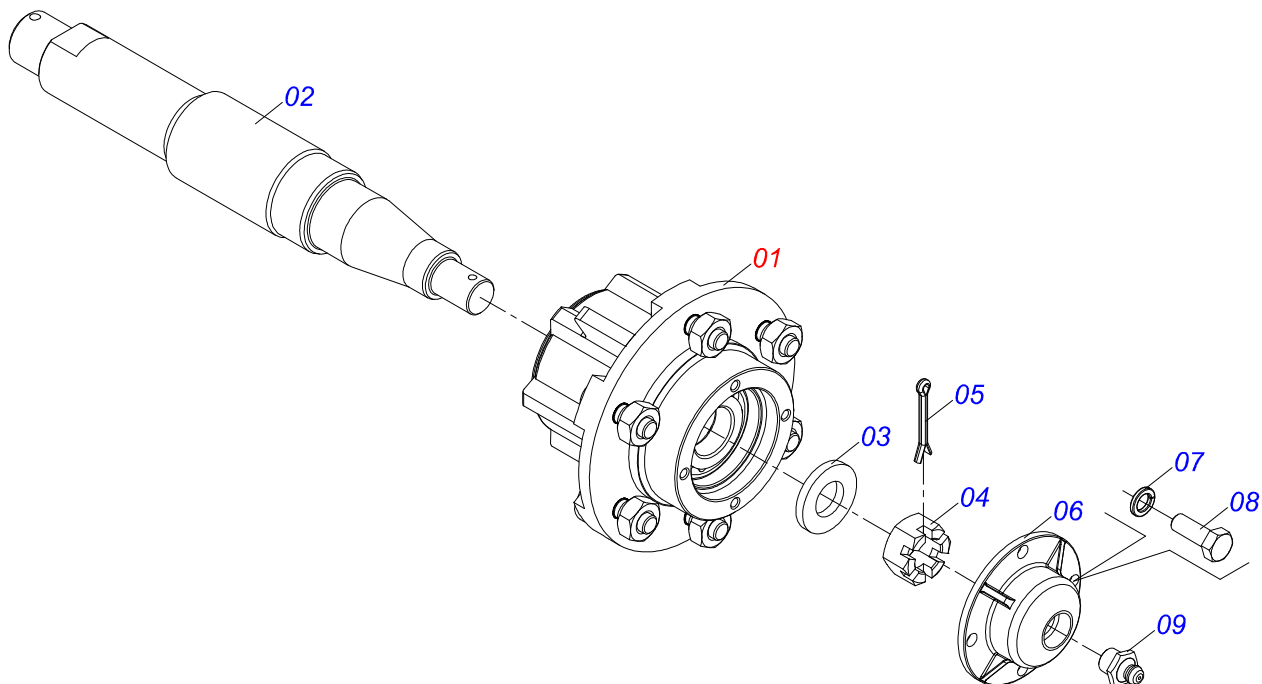


Item	Code	Description	See page	14	16	18	20	22	24
01	0511068569	FRONT FRAME		01	01	01	01	01	01
02	0501066498	RIGHT SIDE FRAME		01	00	00	00	00	00
02.	0501066500	RIGHT SIDE FRAME		00	01	00	00	00	00
02..	0501066502	RIGHT SIDE FRAME		00	00	01	00	00	00
02...	0501066504	RIGHTSIDE FRAME		00	00	00	01	00	00
02....	0501066506	RIGHT SIDE FRAME		00	00	00	00	01	00
02.....	0501069719	RIGHT SIDE FRAME		00	00	00	00	00	01
03	0501066499	LEFT SIDE FRAME		01	00	00	00	00	00
03.	0501066501	LEFT SIDE FRAME		00	01	00	00	00	00
03..	0501066503	LEFT SIDE FRAME		00	00	01	00	00	00
03...	0501066505	LEFT SIDE FRAME		00	00	00	01	00	00
03....	0501066507	LEFT SIDE FRAME		00	00	00	00	01	00
03.....	0501069720	LEFT SIDE FRAME		00	00	00	00	00	01
04	0501064138	1.4" X 4.7" COUPLING SHAFT		02	02	02	02	02	02
05	0503010534	3/8 X 2-1/2 COTTERPIN		11	11	11	11	11	11
06	0521010581	0.9" X 4.9" COUPLING SHAFT		02	02	02	02	02	02
07	0503010523	1/4" X 2" COTTERPIN		09	09	09	09	09	09
08	0511045888	WHEEL SUPPORT ASSY		01	01	01	01	01	01
08A	0511068568	WHEEL SUPPORT		01	01	01	01	01	01
08B	0501051634	TSTUB SHAFT & HUB ASSY	2	02	02	02	02	02	02
08C	0501011301	1.1/2 UNC 6FPP 2.5/16 NUT		02	02	02	02	02	02
08D	0503010010	1/4" X 2.1/2" COTTERPIN		02	02	02	02	02	02
09	0501064288	DRAWBAR		01	01	01	01	01	01
10	0501064172	TRACTOR HITCH		01	01	01	01	01	01
11	0501064139	1.4" X 6.35" COUPLING SHAFT		01	01	01	01	01	01
12	0521010453	AXI SHAFT		01	01	01	01	01	01
13	0501064137	1.4" X 4.13" COUPLING SHAFT		02	02	02	02	02	02
14	0503060091	L29.5"X0.63"-10L WHEEL AND		02	02	02	02	02	02
15	0501049338	HYDRAULIC CYLINDER 44,45 X 85,72 X 515 X 203	4	01	01	01	01	01	01
15.	0511058298	HYDRAULIC CYLINDER 44,45 X 85,7 X 515 X 203	5	01	00	00	00	00	00
16	0521012538	1.2" X 3.5" COUPLING SHAFT		02	02	02	02	02	02

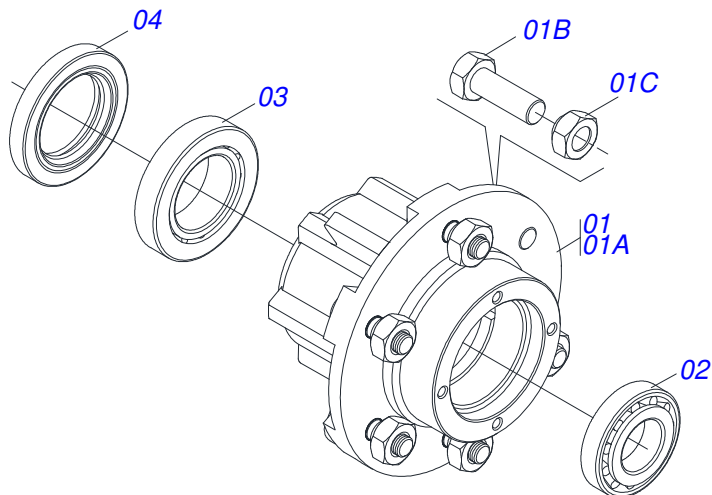


TSTA - 14/16/18/20/22/24D
ASSY FRAME - 14/16/18/20/22/24D

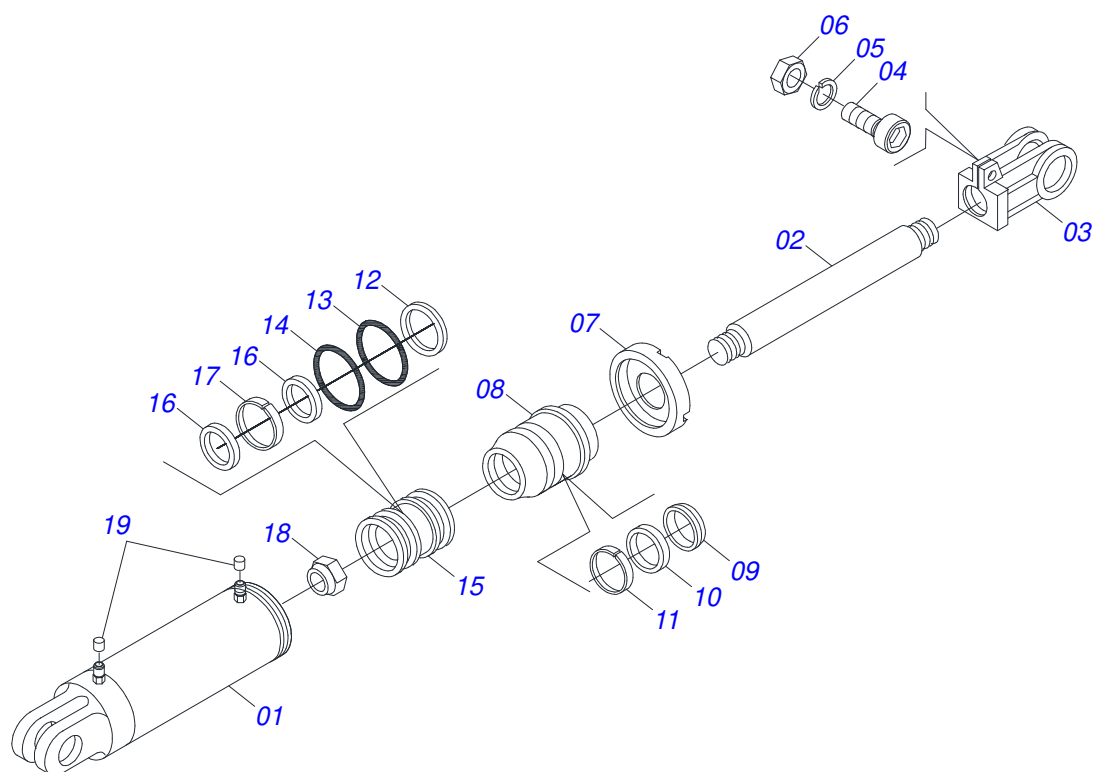
Item	Code	Description	See page	14	16	18	20	22	24
17	0511045849	50,8 X 101,6 X 680 X 397 HYDRAULIC CYLINDER	6	01	01	01	01	01	01
18	0503010002	1800 GREASE FITTING		02	02	02	02	04	04
19	0521012538	1.2" X 3.5" COUPLING SHAFT		02	02	02	02	02	02
20	0501040257	3/4 X 1200 HOSE HOLDER A	7	01	01	01	01	01	01
21	0501051039	HOSE ASSY		01	01	01	01	01	01
21A	0501080384	TR-TM HOSE ASSY		02	02	02	02	02	02
21B	0501080365	HOSE 3/8 X 3500 TC-TM		01	01	01	01	01	01
21C	0501080385	3/8" X 149" TC-TM HOSE ASSY		01	01	01	01	01	01
22	0501053834	MALE QUICK COUPLER	8	04	04	04	04	04	04
23	0501069011	BODY TAB REGULATOR		02	02	02	02	02	02
24	0511068596	ADJUSTMENT BAR ASSY		02	02	02	02	02	02
25	0501068995	25 X 110 MM LOCK AXLE		02	02	02	02	02	02
26	0503031035	HITCH PIN CLIP		02	02	02	02	02	02
27	0521010579	COUPLING SHAFT		02	02	02	02	02	02
28	0501066459	RH BRACKET		02	02	03	04	04	04
29	0501066460	LH BRACKET		02	02	03	04	04	04
30	0501013907	FIXER PLATE		02	02	03	04	04	04
31	0501040733	1" X 8" ASSY BOLT		08	08	12	16	16	16
31A	0501014172	1" X 8" BOLT		08	08	12	16	16	16
31B	0501010065	1" SPRING WASHER		16	16	20	24	24	24
31C	0503011438	SPRING WASHER		16	16	20	24	24	24
31D	0501010059	1.5/8 NUT		16	16	20	24	24	24
32	0511014061	90" BAR FIXER SCRAPER		02	00	00	00	00	00
33	0521012576	2285 BAR FIX SCRAPER		02	00	00	00	00	00
34	0511014062	106" BAR FIXER SCRAPER		00	02	00	00	00	00
35	0521012744	105" BAR FIXER SCRAPER		00	02	00	00	00	00
36	0511014063	121" BAR FIXER SCRAPER		00	00	02	00	00	00
37	0511014059	REAR BAR FIXER SCRAPER		00	00	00	01	02	00
38	0511014060	BAR FIXER SCRAPER		00	00	00	02	00	00
39	0511014058	FRONT BAR FIXER SCRAPER		00	00	00	00	02	02
40	0521012173	REAR BAR FIXER SCRAPER		00	00	00	00	00	02
41	0501010827	3/4" X 2-3/4" BOLT		04	04	06	08	08	08
42	0501018409	FRONT SCRAPER BODY		10	12	13	14	16	18
43	0501018410	REAR SCRAPER BODY		10	12	13	14	16	18
44	0503011082	C1/2" X 1.3/4" SCREW		20	24	26	28	32	36
45	0511017302	FLAT WASHER		20	24	26	28	32	36
46	0503010019	1/2" SPRING WASHER		20	24	26	28	32	36
47	0503010060	1/2" NUT		20	24	26	28	32	36
48	0909090451	FURROW WHEEL	9	01	01	01	01	01	01
49	0503810014	3/4" NUT		02	02	02	02	02	02
50	0501041894	1" X 7" ASSY BOLT		08	08	08	08	08	08
50A	0501010334	1" X 7" BOLT		01	01	01	01	01	01
50B	0503010012	1" SPRING WASHER		01	01	01	01	01	01
50C	0501010059	1.5/8 NUT		01	01	01	01	01	01
51	0501061617	1" GANG BOLT WRENCH		01	01	01	01	01	01
52	0501061609	3/4" WRENCH CABLE CYLINDRICAL		01	01	01	01	01	01
53	0501011431	1-3/4" GANG BOLT WRENCH		02	02	02	02	02	02
54	0551015095	TRANSPORT LOCK		01	01	01	01	01	01
55	0541016844	FIXER LOCK		02	02	02	02	02	02
56	0503030168	HITCH PIN CLIP		01	01	01	01	01	01
57	0501810322	FLAT WASHER		02	02	02	02	02	02
58	0503018438	1" WRENCH CYLINDRICAL HEX		01	01	01	01	01	01
59	0909090452	GANG DISC	10	01	01	01	01	01	01



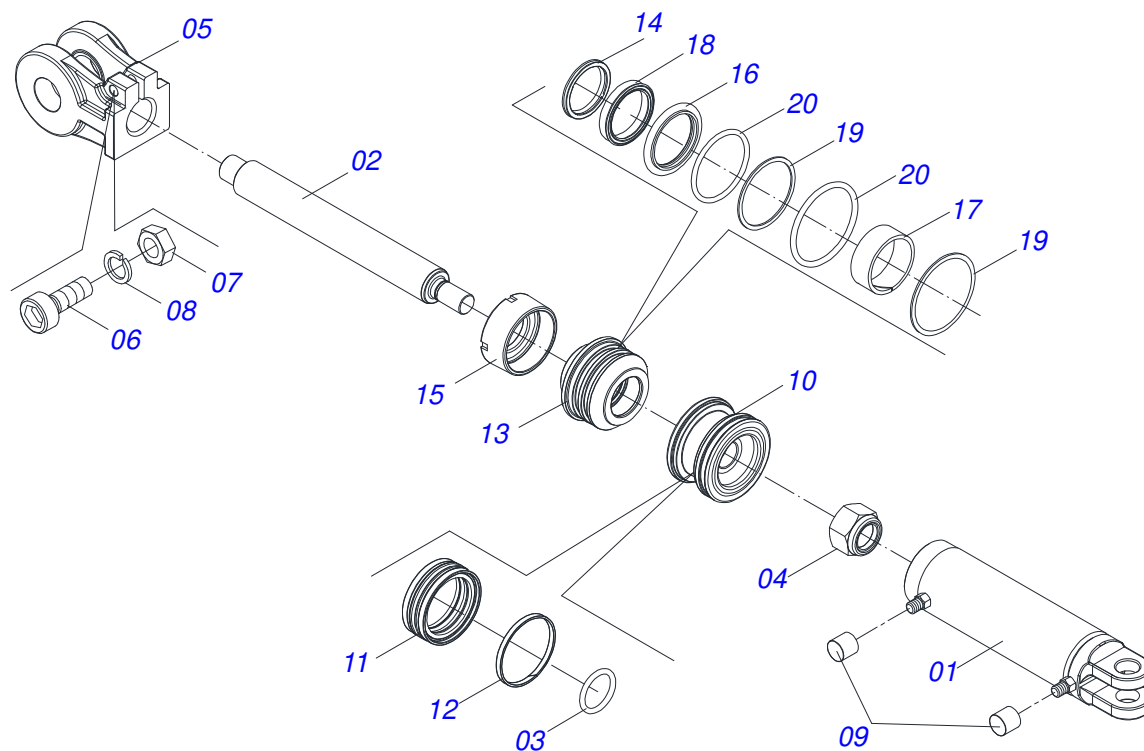
Item	Code	Description	See page	QT
01	0501051142	CARRYING WHEEL HUB	3	01
02	0521010821	2.5" X 16.5" AXLE		01
03	0501016545	FLAT WASHER		01
04	0503030009	1" CASTLE NUT		01
05	0503010018	5/32 X 1-1/2 COTTERPIN		01
06	0502020591	PROTECCION COVER		01
07	0503011444	SPRING WASHER		04
08	0503010358	5/16" X 5/8" BOLT		04
09	0503010002	1800 GREASE FITTING		01



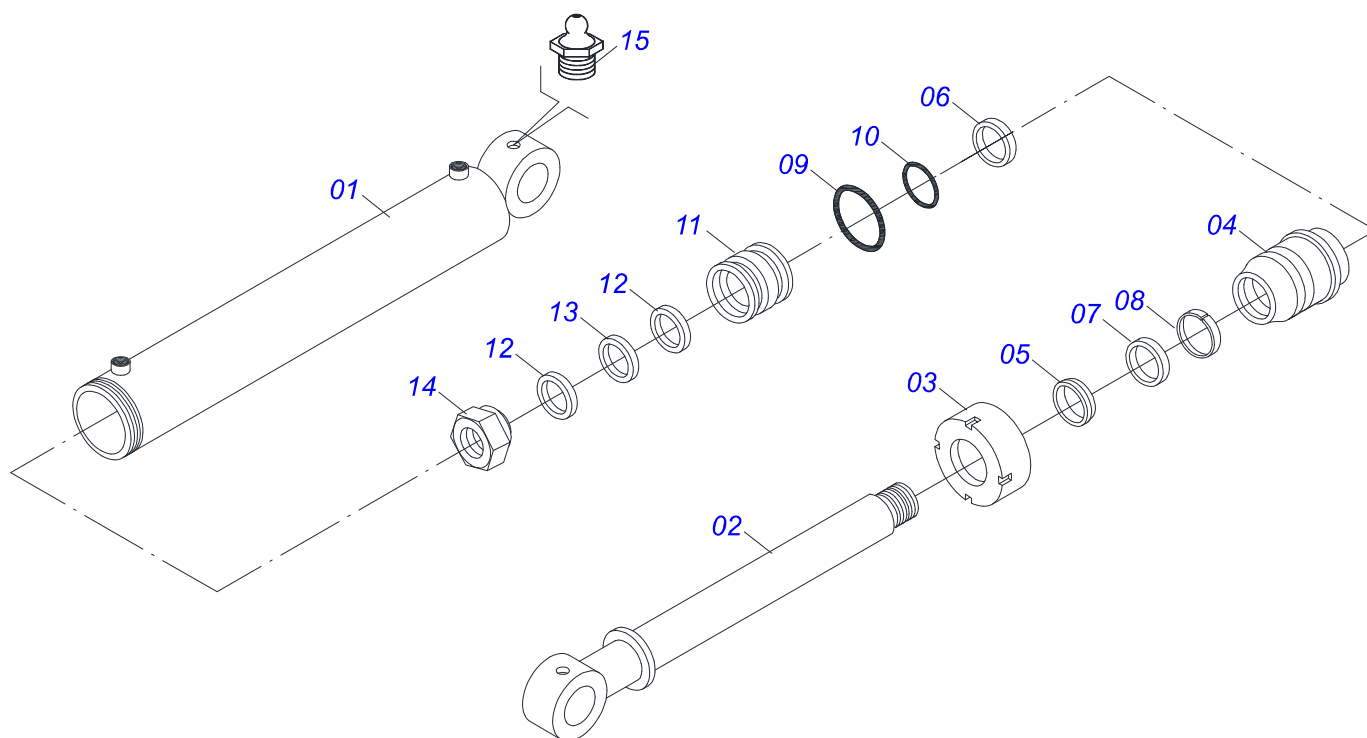
Item	Code	Description	See page	QT
01	0501110728	WHEEL HUB		01
01A	0502011121	CARRYING WHEEL HUB		01
01B	0501010127	9/16" X 1-7/8" LUG BOLT		06
01C	0503010035	9/16" CONIC NUT		06
02	0503010037	30207 ROLLER BEARING		01
03	0503010006	32210 ROLLER BEARING		01
04	0503012928	SEAL		01



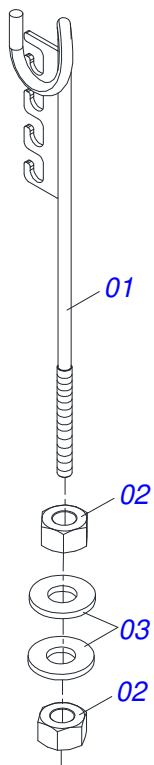
Item	Code	Description	See page	QT
01	0511061588	3.4" X 16" CYLINDER CASE		01
02	0521010421	HYDRAULIC CYLINDER TURNBUCKLE		01
03	0502040747	32.54 CLEVIS CLAMP		01
04	0503011094	3/8" X 2" BOLT		01
05	0503010025	3/8" SPRING WASHER		01
06	0503010026	3/8" NUT		01
07	0502010993	DETACHABLE COVER		01
08	0502010781	RING SUPPORT		01
09	0503010761	D-1750 SCRAPER RING		01
10	0503010990	GASKET		01
11	0503010949	W2-2000-500 PK RING G.E		01
12	0503011060	8-336 BACK-UP RING		01
13	0503010976	2-336 N 3006-9B O'RING		01
14	0503010042	2-214 N 3006-9B O'RING		01
15	0502010843	1.8" X 3.4" PISTON		01
16	0503010170	PACKING 3120 2750		02
17	0503010948	W4-3346-590 PK RING G.E		01
18	0503010063	1" SELF-ALIGNING NUT		01
19	0503030385	CYLINDER PLUG N-002		02
20	0501031796	HYDRAULIC CYLINDER REPAIR KIT		01



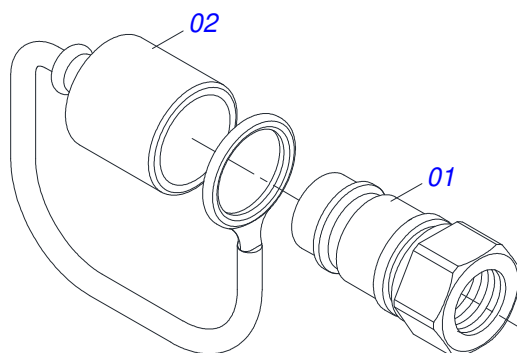
Item	Code	Description	See page	QT
01	0511061588	3.4" X 16" CYLINDER CASE		01
02	0521010421	HYDRAULIC CYLINDER TURNBUCKLE		01
03	0503010042	2-214 N 3006-9B O'RING		01
04	0503010063	1" SELF-ALIGNING NUT		01
05	0502040747	32.54 CLEVIS CLAMP		01
06	0503011094	3/8" X 2" BOLT		01
07	0503010026	3/8" NUT		01
08	0503010025	3/8" SPRING WASHER		01
09	0503030385	CYLINDER PLUG N-002		02
10	0571019710	1.7" X 3.4" PISTON		01
11	0503017935	RING		01
12	0503018144	RING		01
13	0571019711	RING SUPPORT		01
14	0503010761	D-1750 SCRAPER RING		01
15	0571019709	DETACHABLE COVER		01
16	0503017936	RING		01
17	0503017938	RING GUIDE		01
18	0503017937	GASKET		01
19	0503017940	8-337 BACK-UP RING		02
20	0503017939	2-337 N 3006-9B O' RING		02



Item	Code	Description	See page	QT
01	0511068567	101,6 X 515 CYLINDER CASE		01
02	0511068566	TURNBUCLE WITH BUSHING		01
03	0502010017	4" HEAD		01
04	0502010778	2" X 4.2" RING SUPPORT		01
05	0503010039	D-2000 SCRAPER RING		01
06	0503010991	1870-2000-375-B GASKET		01
07	0503010952	W2-2250-500 RING		01
08	0503011061	8-342 BACK-UP RING		01
09	0503010338	2-342 N 3006-9B O'RING		01
10	0503010345	2-218 N 3006-9B O'RING		01
11	0502010992	2.0" X 4.0" PISTON		02
12	0503010043	PACKING 3750-3250		02
13	0503010994	W2-4000-500 PK RING G.E		01
14	0503010817	1.1/4" SELF LOCKING NUT		01
15	0503010002	1800 GREASE FITTING		02

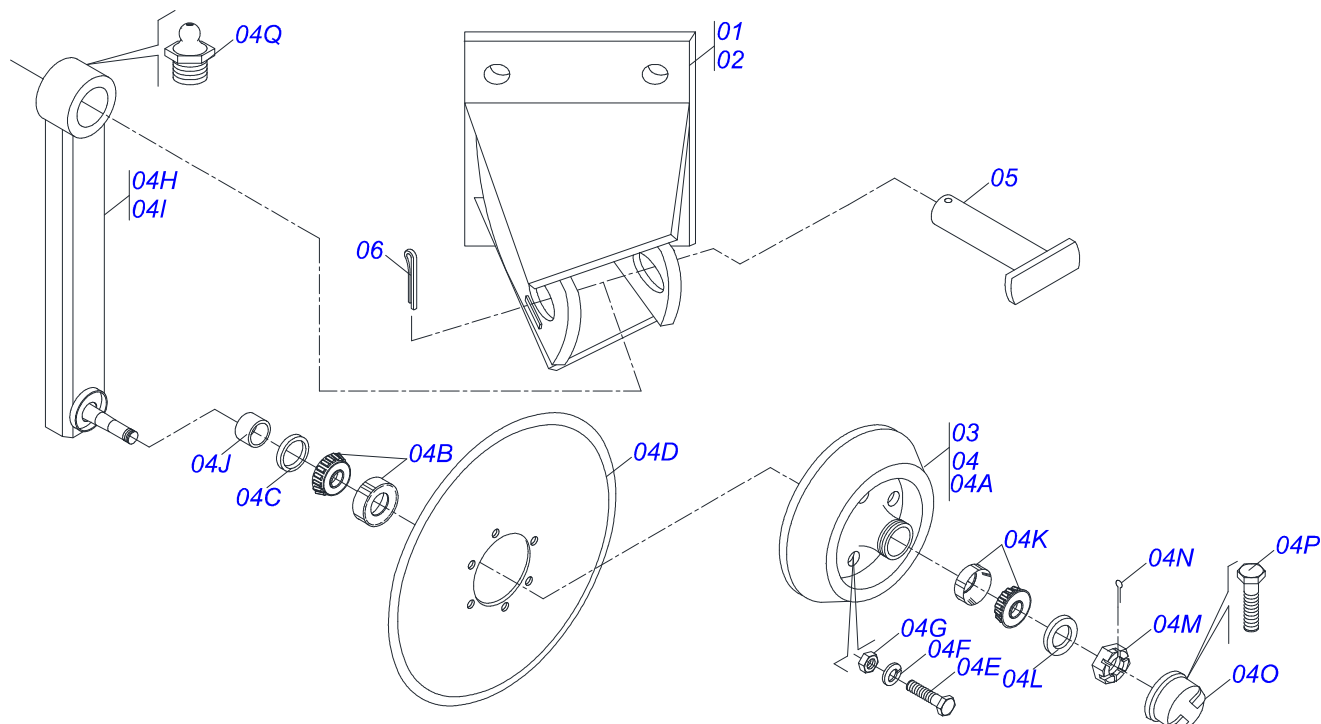


Item	Code	Description	See page	QT
01	0511067334	HOSE SOPPORT ASSY		01
02	0503010014	3/4" NUT		02
03	0501010322	FLAT WASHER		02



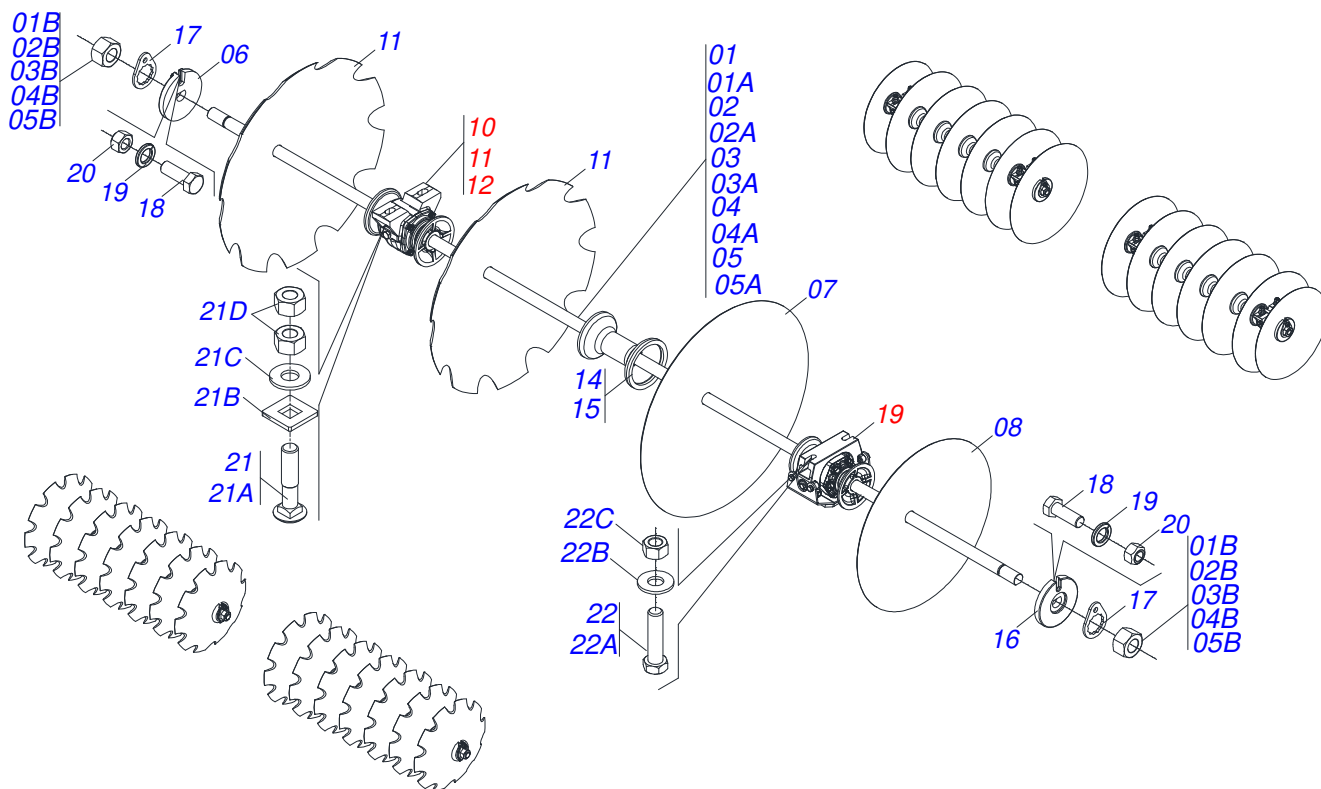
Item	Code	Description	See page	QT
01	0503011627	MALE QUICK COUPLER AGR 1/2 NPT		01
02	0503011882	MALE QUICK COUPLER CAP		01

FURROW WHEEL



Item	Code	Description	See page	14	16	18	20	22	24
01	0501065583	FURROW WHEEL RIGHT SUPPORT		01	01	01	01	01	01
02	0501065584	FURROW WHEEL LEFT SUPPORT		01	01	01	01	01	01
03	0501050447	RH FURROW WHEEL ASSY		01	01	01	01	01	01
04	0501050448	LH FURROW WHEEL ASSY		01	01	01	01	01	01
04A	0502020405	FURROW WHEEL HUB		02	02	02	02	02	02
04B	0503010102	25577/25523 ROLLER BEARING		02	02	02	02	02	02
04C	0503010804	00547-B SEAL		02	02	02	02	02	02
04D	0603027001	20"x 0.2" PLAIN COULTER BLADE		02	02	02	02	02	02
04E	0503011082	C1/2" X 1.3/4" SCREW		12	12	12	12	12	12
04F	0503010019	1/2" SPRING WASHER		12	12	12	12	12	12
04G	0503010060	1/2" NUT		12	12	12	12	12	12
04H	0501065586	RH ARM		01	01	01	01	01	01
04I	0501065585	LH ARM		01	01	01	01	01	01
04J	0501015722	SPACING BUSHING		02	02	02	02	02	02
04K	0503010745	BEARING 25877/25821		02	02	02	02	02	02
04L	0501010065	1" SPRING WASHER		02	02	02	02	02	02
04M	0503030009	1" CASTLE NUT		02	02	02	02	02	02
04N	0503010018	5/32 X 1-1/2 COTTERPIN		02	02	02	02	02	02
04O	0502020008	COVER		02	02	02	02	02	02
04P	0503010011	5/16" X 1/2" BOLT		02	02	02	02	02	02
04Q	0503010002	1800 GREASE FITTING		04	04	04	04	04	04
05	0521010643	1.5" X 7.6" COUPLING SHAFT		02	02	02	02	02	02
06	0503010534	3/8 X 2-1/2 COTTERPIN		02	02	02	02	02	02

GANG DISC



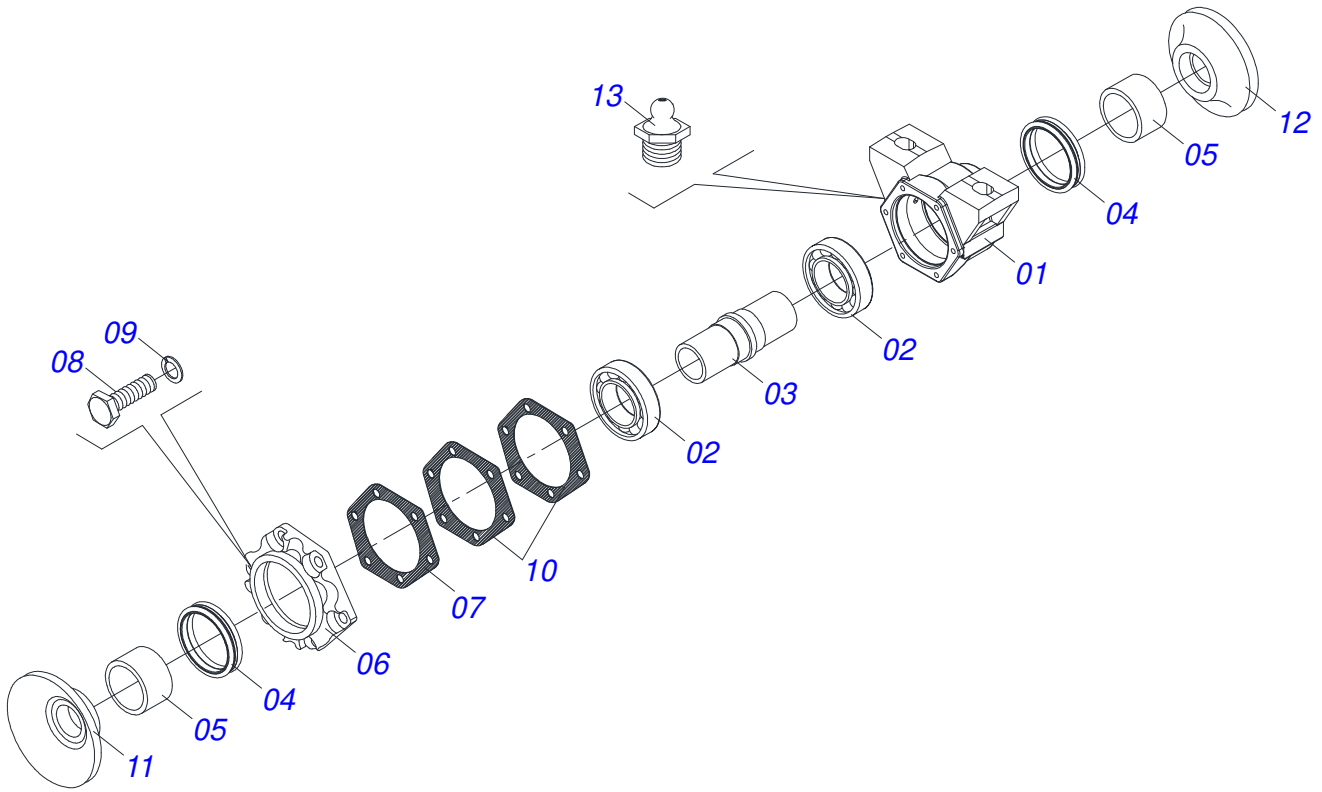
Item	Code	Description	See page	14	16	18	20	22	24
01	0501046863	1-5/8" X 99" AXLE		02	00	00	00	00	00
01A	0501019023	1-5/8" X 99.6" AXLE		01	00	00	00	00	00
01B	0502040640	1.5/8" 2.3/4" NUT		02	00	00	00	00	00
02	0501046865	1-5/8" X 115" AXLE		00	02	00	00	00	00
02A	0501019024	1-5/8" X 115.3" AXLE		00	01	00	00	00	00
02B	0502040640	1.5/8" 2.3/4" NUT		00	02	00	00	00	00
03	0501046866	1-5/8" X 130" AXLE		00	00	02	00	00	00
03A	0501019022	1-5/8" X 130.3" AXLE		00	00	01	00	00	00
03B	0502040640	1.5/8" 2.3/4" NUT		00	00	02	00	00	00
04	0501046858	1-5/8" X 68.11" AXLE		00	00	00	04	00	00
04A	0501019021	1-5/8" X 68.11" AXLE		00	00	00	01	00	00
04B	0502040640	1.5/8" 2.3/4" NUT		00	00	00	02	00	00
05	0501046862	1-5/8" X 83.86" AXLE		00	00	00	00	02	04
05A	0501019025	1-5/8" X 88.86" AXLE		00	00	00	00	01	01
05B	0502040640	1.5/8" 2.3/4" NUT		00	00	00	00	02	02
06	0502011048	1-5/8" EXTERNAL AXLE WASHER		02	02	02	04	04	04
07	0601033005	26" X 0.2" PLAIN DISC BLADE		12	14	16	18	20	22
08	0601030005	24" X 0.2" PLAIN DISC BLADE		02	02	02	02	02	02
09	0602037004	28" X 0.2" NOTCHED DISC BLADE		00	00	00	18	00	00
10	0501043085	CM GX 8.86" 1-1/8" BEARING ASSY	11	02	02	03	04	04	04
11	0501043086	CM GX 8.86" 1-5/8" BEARING ASSY	12	02	02	03	04	04	04
12	0501043197	8.86" X 1-5/8" OIL BATH BEARING	13	02	02	03	04	04	04
13	0511048374	BEARING DM OL 225 X 1.5/8" OSCILLATING WITH 14 SUPPORT PROTECTION IMP		06	00	00	00	00	00
14	0502010701	SPACER		04	04	06	08	08	08
15	0502010702	SPACER		08	10	10	08	10	10
16	0502011047	1-5/8" INNER AXLE WASHER		02	02	02	04	04	04
17	0511014339	1-5/8" 2.8" NUT LOCK		04	04	04	08	08	08
18	0503011267	BOLT 5/8 UNC X 1.1/2 C S G.5 ZN		04	04	04	08	08	08
19	0503010027	5/8" SPRING WASHER		04	04	04	08	08	08
20	0503010013	5/8" NUT		04	04	04	08	08	08
21	0511040034	3/4" X 3-1/4" BOLT ASSY		08	08	12	16	16	16



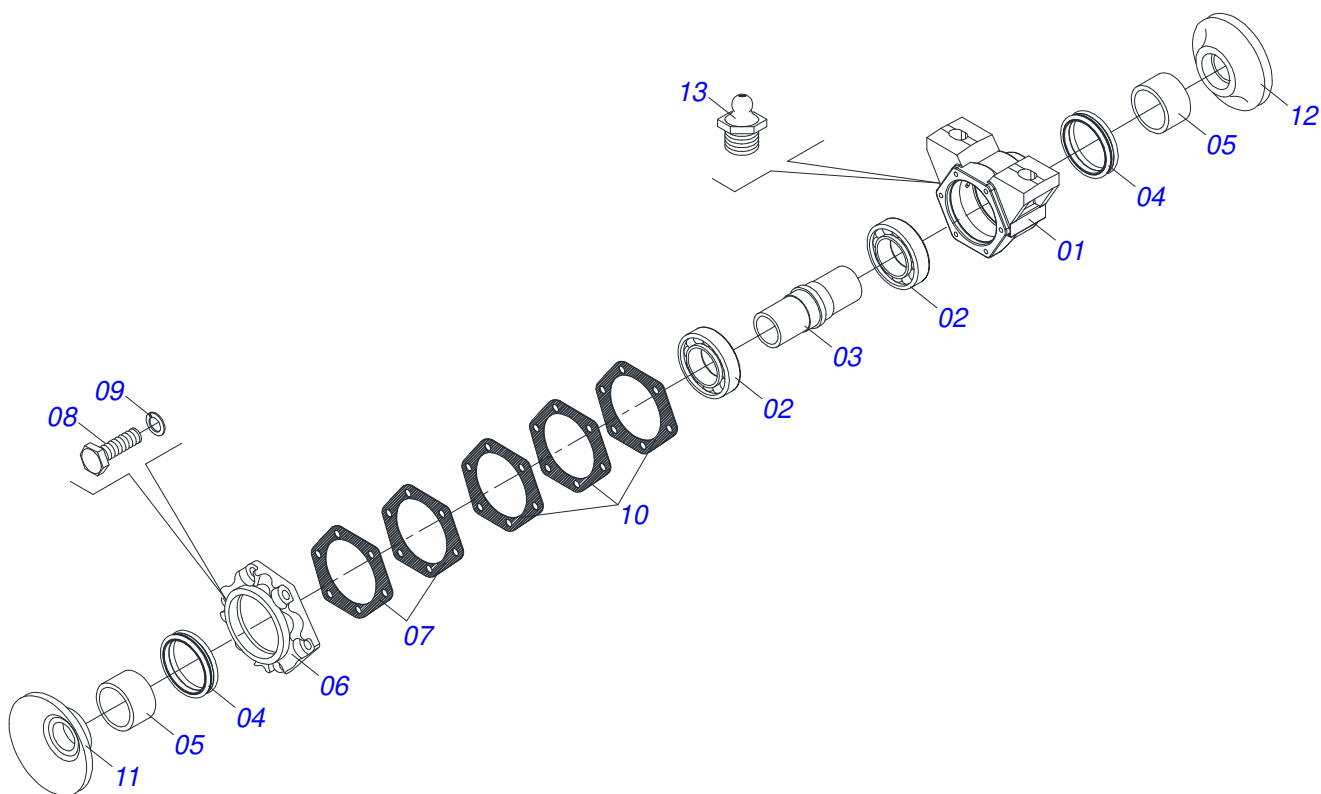
GANG DISC

0909090452

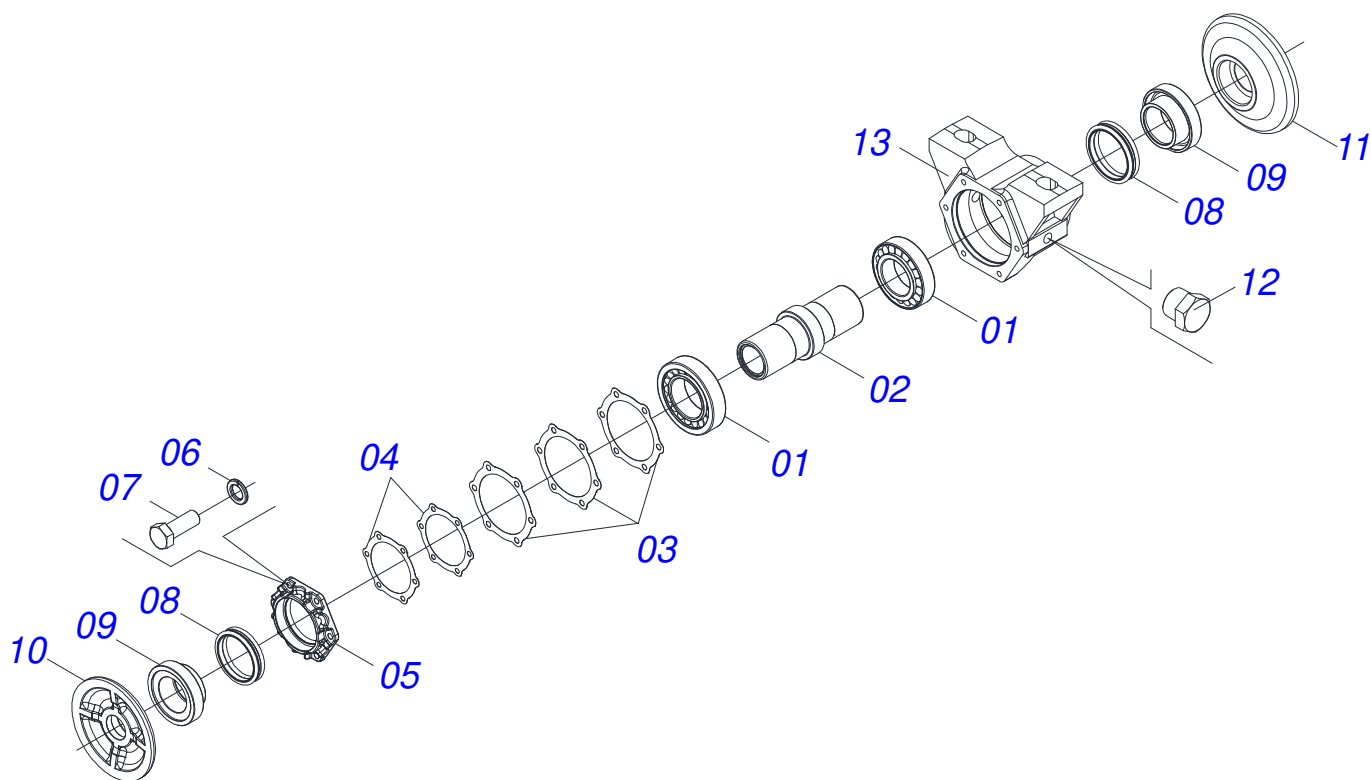
Item	Code	Description	See page	14	16	18	20	22	24
21A	0501017303	3/4" X 3-1/4" BOLT		08	08	12	16	16	16
21B	0501010949	3/4" SQUARE WASHER		08	08	12	16	16	16
21C	0501010322	FLAT WASHER		08	08	12	16	16	16
21D	0503010014	3/4" NUT		16	16	24	32	32	32
22	0501041894	1" X 7" ASSY BOLT		08	00	08	00	00	00
22A	0501010334	1" X 7" BOLT		01	00	01	00	00	00
22B	0503010012	1" SPRING WASHER		01	00	01	00	00	00
22C	0501010059	1.5/8 NUT		01	00	01	00	00	00



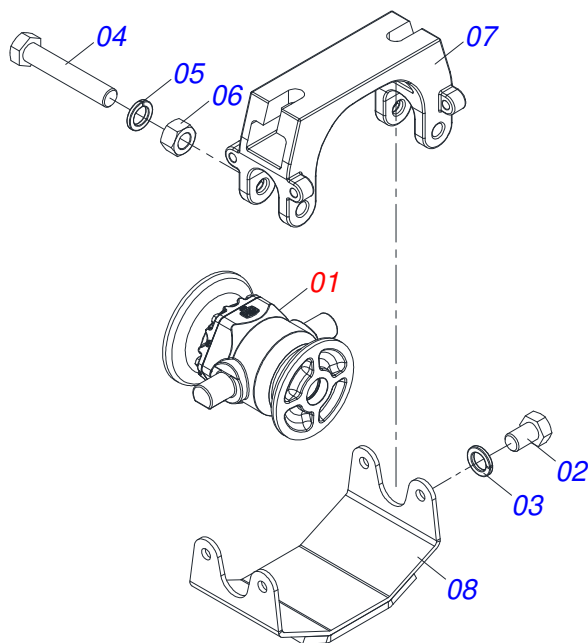
Item	Code	Description	See page	QT
01	0502020479	BEARING HOUSING, FG		01
02	0503010005	32212 ROLLER BEARING		02
03	0502010899	AXLE CM/DM		01
04	0503010087	02017-GB GREASE SEAL		02
05	0501010986	SPACER		02
06	0502020523	BEARING CAP		01
07	0503030685	5.5" X 4.4" X 0.003" GASKET		01
08	0503010237	3/8" X 1" BOLT		06
09	0503011443	3/8" SPRING WASHER		06
10	0503030030	5.6" X 4.4" X 0.01" GASKET		02
11	0502040239	OUTER FLANGE		01
12	0502040240	INNER FLANGE		01
13	0503010002	1800 GREASE FITTING		02



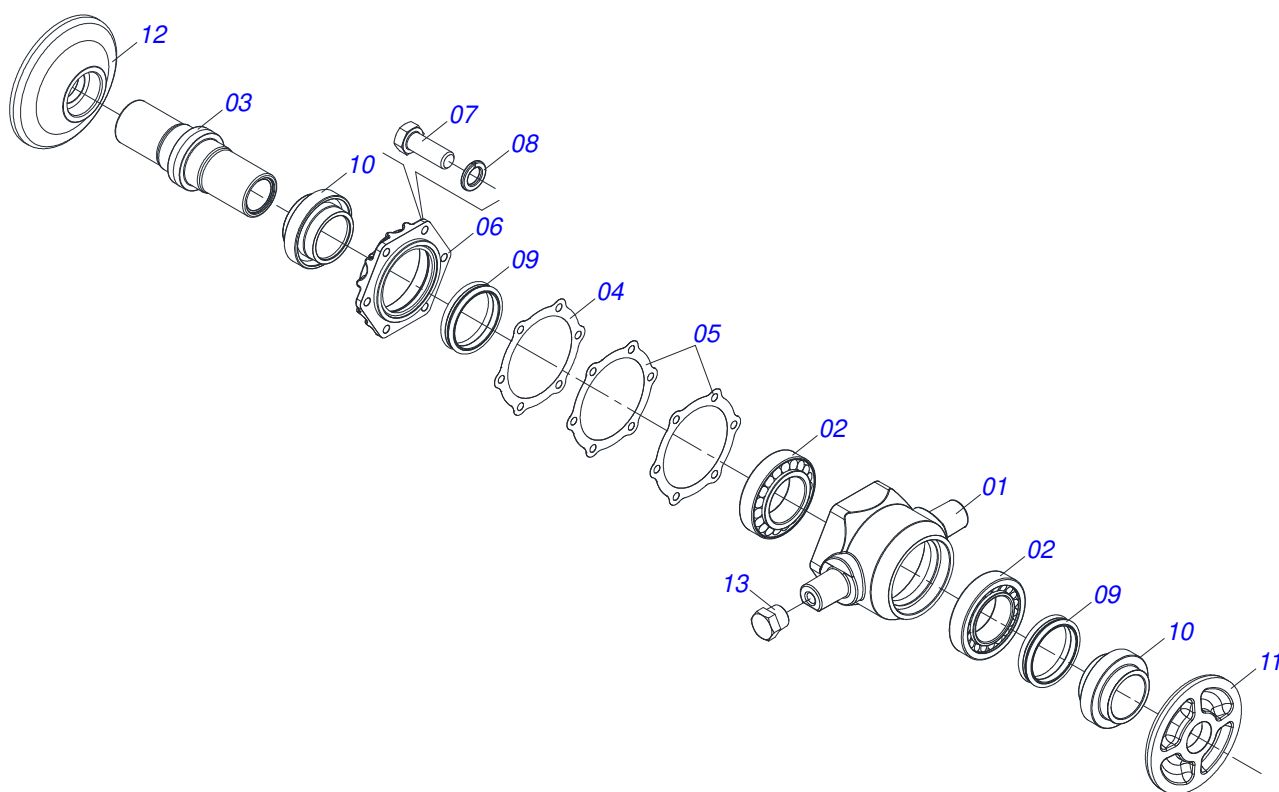
Item	Code	Description	See page	QT
01	0502020480	BEARING HOUSING, RG		01
02	0503010005	32212 ROLLER BEARING		02
03	0502010899	AXLE CM/DM		01
04	0503010087	02017-GB GREASE SEAL		02
05	0501010986	SPACER		02
06	0502020523	BEARING CAP		01
07	0503030685	5.5" X 4.4" X 0.003" GASKET		02
08	0503010237	3/8" X 1" BOLT		06
09	0503011443	3/8" SPRING WASHER		06
10	0503030030	5.6" X 4.4" X 0.01" GASKET		03
11	0502040239	OUTER FLANGE		01
12	0502040240	INNER FLANGE		01
13	0503010002	1800 GREASE FITTING		01



Item	Code	Description	See page	QT
01	0503010005	32212 ROLLER BEARING		02
02	0502010899	AXLE CM/DM		01
03	0503030030	5.6" X 4.4" X 0.01" GASKET		03
04	0503030685	5.5" X 4.4" X 0.003" GASKET		02
05	0502020161	WEAR PLATE BEARING		01
06	0503011443	3/8" SPRING WASHER		06
07	0503010237	3/8" X 1" BOLT		06
08	0503030027	DUO-CONE SEAL		02
09	0502040287	SEAL RETAINER		02
10	0502040239	OUTER FLANGE		01
11	0502040240	INNER FLANGE		01
12	0503010856	OIL PLUG		02
13	0502020481	HOUSING DM		01



Item	Code	Description	See page	QT
01	0501059734	225 OSCILLATING BEARING	15	01
02	0503010834	1/2 X 1 BOLT		04
03	0503010019	1/2" SPRING WASHER		04
04	0503010762	SCREW 5/8 UNC X 3.1/2 CS G.5 ZN		02
05	0503010027	5/8" SPRING WASHER		02
06	0503010013	5/8" NUT		02
07	0502012626	CENTER OSCILLATING BEARING SUPPORT		01
08	0521069156	BOOST BEARING COVER		01



Item	Code	Description	See page	QT
01	0502020691	AGRICULTURAL BEARING BOX	01	01
02	0503010005	32212 ROLLER BEARING	02	02
03	0502010899	AXLE CM/DM	01	01
04	0503030685	5.5" X 4.4" X 0.003" GASKET	01	01
05	0503030030	5.6" X 4.4" X 0.01" GASKET	02	02
06	0502020161	WEAR PLATE BEARING	01	01
07	0503010237	3/8" X 1" BOLT	06	06
08	0503011443	3/8" SPRING WASHER	06	06
09	0503030027	DUO-CONE SEAL	02	02
10	0502040287	SEAL RETAINER	02	02
11	0502040239	OUTER FLANGE	01	01
12	0502040240	INNER FLANGE	01	01
13	0503010856	OIL PLUG	02	02
14	3402301247	MINERAL OIL GREASE	0,2 LT	



MARCHESAN

Technical Publications | Elaboration and Revision

JOÃO VIRGINIO ROCHA

www.marchesan.com.br

