

PARTS CATALOG

HINGE TYPE OFFSET DISK HARROW

GNALCR 44 A 64 D

Code: 0501091233



Series: S-1210

Review: DEZEMBRO/2016

**ORIGINAL PARTS
TATU**



PRODUCTS

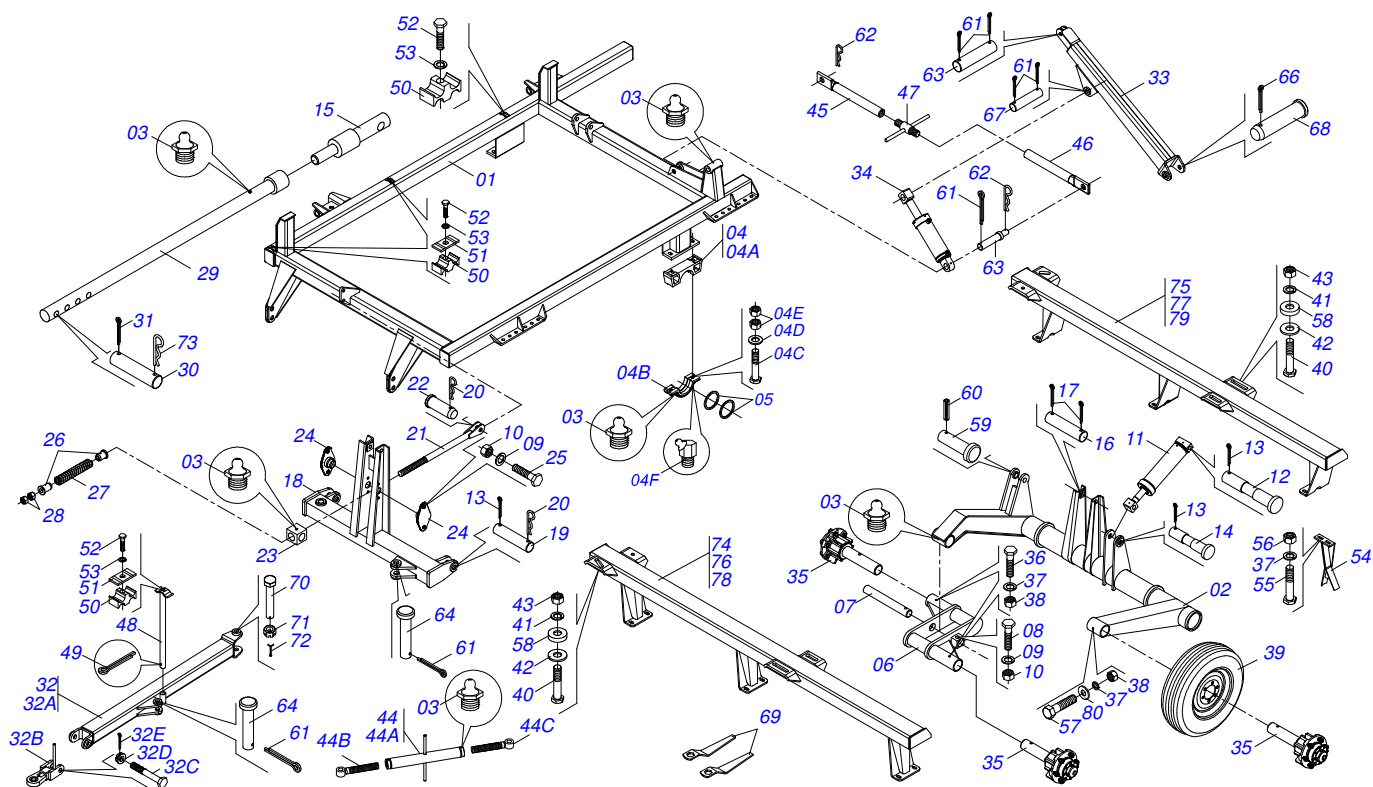
Code	Description
0102540002	GNALCR 44 22 X 4,5 MT 6,5X16 S-1210
0102540004	GNALCR 48 22X4,5 MT 6,5X16 S-1210
0102540006	GNALCR 52 22X4,5 MT 6,5X16 S-1210
0102540008	GNALCR 56 22X4,5 MT 7,5X16 S-1210
0102540010	GNALCR 60 22X4,5 MT 7,5X16 S-1210
0102540010C	GNALCR 60 22 X 4,5 MT 7,5 X 16 EXP S-1210
0102540012	GNALCR 64 22X4,5 MT 7,5X16 S-1210
0102540012C	GNALCR 64 22 X 4,5 MT 7,5X16 EXP S-1210
0102540013	GNALCR 44 22X4,5 DR 6,5X16 S-1210
0102540014	GNALCR 48 22X4,5 DR 6,5X16 S-1210
0102540015	GNALCR 52 22X4,5 DR 7,5X16 S-1210
0102540016	GNALCR 56 22X4,5 DR 7,5X16 S-1210
0102540017	GNALCR 60 22X4,5 DR 7,5X16 S-1210
0102540018	GNALCR 64 22X4,5 DR 7,5X16 S-1210

ATTENTION: **IMPORTANT**

MARCHESAN S/A RESERVES THE RIGHT AT ANY TIME TO MAKE IMPROVEMENTS IN THE DESIGN, MATERIAL OR SPECIFICATIONS OF MACHINERY, EQUIPMENT OR PARTS WITHOUT THEREBY BECOMING LIABLE TO MAKE SIMILAR CHANGES IN MACHINERY, EQUIPMENT OR PARTS PREVIOUSLY SOLD.

INDEX

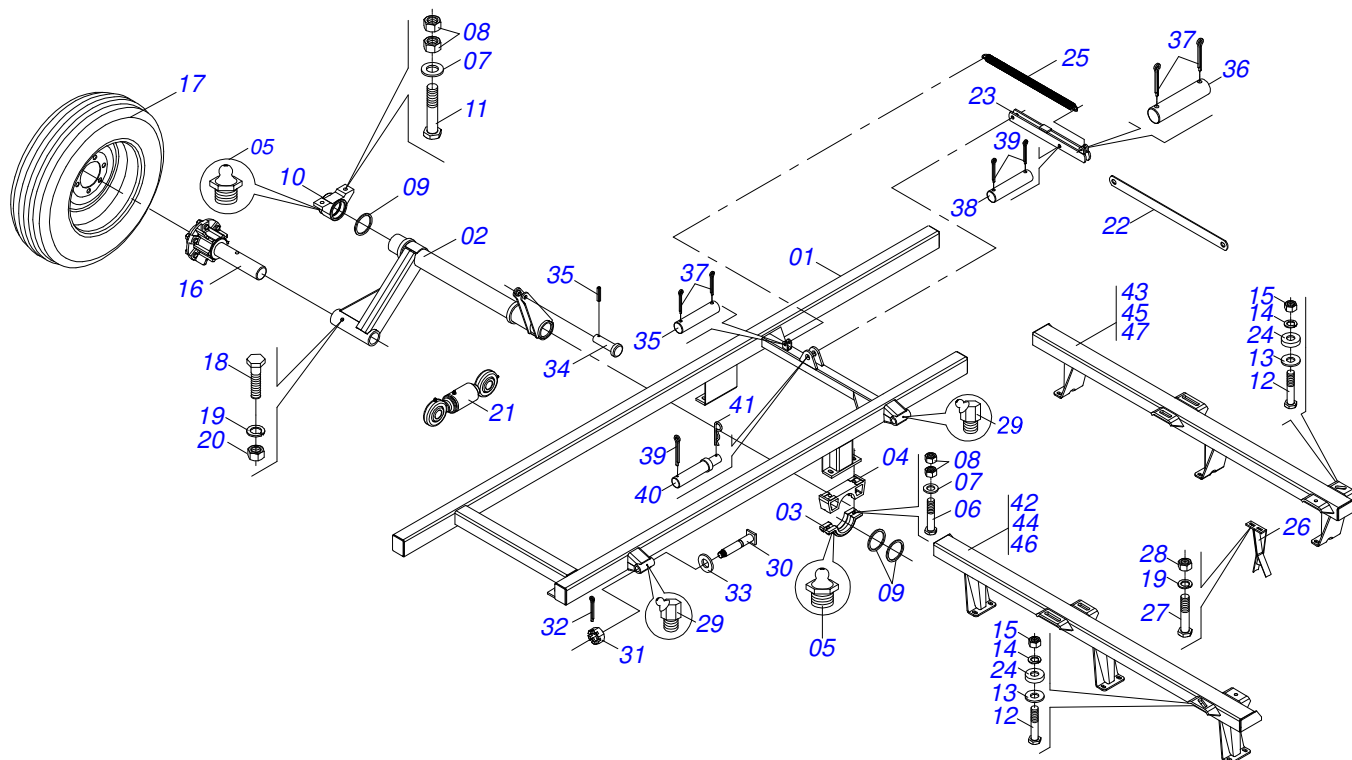
0909091752	GNALCR 44 48 52	1
0909091744	RIGHT FRAME 44/ 48 / 52 DISCS	2
0909091753	GNALCR 56 A 64 D S-1210 REV/00	3
0909091746	RIGHT FRAME 56/ 60/ 64	4
0501049006	HYDRAULIC CYLINDER	5
0511058409	HYDRAULIC CYLINDER	6
0501054832	WHEEL HUB CR 20M	7
0501054501	WHEEL HUB	8
0909091747	FRONT GANG DISC	9
0909091748	REAR GANG DISC 44/48/52 DISCS	10
0909091749	REAR GANG DISC 56/60/64 DISCS	11
0511040472	AGRICULTURAL BEARING	12
0909091750	HYDRAULIC CIRCUIT	13



Item	Code	Description	44 48 52
01	0521064335	LEFT FRAME GDRA	01 01 01
02	0511061844	AXLE ASSEMBLY LEFT	01 01 01
03	0503010002	1800 GREASE FITTING	08 08 08
04	0501052751	DEPH WHEELS AXLE BEARING	02 02 02
04A	0502011494	UPPER BEARING SEMI	02 02 02
04B	0502011493	LOWER BEARING SEMI	02 02 02
04C	0501010164	3/4 X 7 BOLT	04 04 04
04D	0521013710	WASHER GVC 33200 SEMIMAN	04 04 04
04E	0503012183	SNC 3/4" ZIN 1K03097 NUT	08 08 08
04F	0503010003	1845 GREASE FITTING	04 04 04
05	0503012260	FELT RING	04 04 04
06	0511061857	BELL CRANK	01 01 01
07	0521015276	BELL CRANK AXLE	01 01 01
08	0503010752	1/2" X 3.1/2" BOLT	01 01 01
09	0503011440	SPRING WASHER	05 05 05
10	0503010060	1/2" NUT	05 05 05
11	0511058409	HYDRAULIC CYLINDER	01 01 01
12	0521017811	PISTON PIN	01 01 01
13	0503010010	1/4" X 2.1/2" COTTERPIN	04 04 04
14	0521014450	PIN HEAD PN - 236	01 01 01
15	0511061699	EXTENSION	02 02 02
16	0521013912	PIN HEADLESS PN - 077	02 02 02
17	0503010038	3/16 X 2 COTTERPIN	04 04 04
18	0511061861	TRACTION BAR	01 01 01
19	0521013841	WITHOUT HEADS PIN PN-078 TRACTION	02 02 02
20	0503031470	TM 251 X 4,0 STAPLE	03 03 03
21	0511060979	SET JACK	01 01 01
22	0521013838	PIN WITH HEAD ROD PN-004	01 01 01
23	0502011616	CROSSPIECE GVMF 60106A	01 01 01
24	0502011615	SUPPORT CROSS GR GVMF 60107N	02 02 02
25	0503010920	1/2" X 1.1/2" BOLT	04 04 04
26	0502011582	SPINDLE GUIDE GVMF 60127A	02 02 02
27	0503031526	SPRING	01 01 01



Item	Code	Description	44 48 52
28	0503012182	1" NUT	02 02 02
29	0511062358	STABILIZER BAR	01 01 01
30	0521013839	WITHOUT HEADS PIN	01 01 01
31	0503010362	1/8" X 1.1/4" COTTERPIN	01 01 01
32	0511050464	AXLE ASSY	01 01 01
32A	0511061781	AXLE	01 01 01
32B	0511060447	HOOK HITCH	01 01 01
32C	0521013837	BOLT	01 01 01
32D	0503013026	1.1/4" CASTLE NUT	01 01 01
32E	0503010067	3/16" X 2.1/2" COTTER PIN	01 01 01
33	0511061724	ARM	01 01 01
34	0501049006	HYDRAULIC CYLINDER	01 01 01
35	0501054832	WHEEL HUB CR 20M	03 03 03
36	0503010752	1/2" X 3.1/2" BOLT	02 02 02
37	0503010019	1/2" SPRING WASHER	33 37 39
38	0503010060	1/2" NUT	02 02 02
39	0503060621	WHEEL ASSEMBLY CR 6.50 X 16/6TA	03 03 03
40	0501010125	3/4" X 2-1/2" BOLT	08 08 08
41	0503010023	SPRING WASHER	08 08 08
42	0501010322	FLAT WASHER	08 08 08
43	0503012183	SNC 3/4" ZIN 1K03097 NUT	08 08 08
44	0511054746	REGULATOR COMPLETE SCREW	01 01 01
44A	0511054746	REGULATOR COMPLETE SCREW	01 01 01
44B	0511061715	LEFT SET JACK	01 01 01
44C	0511061708	RIGHT SET JACK	01 01 01
45	0521017828	LOCK RIGHT	01 01 01
46	0521017829	LOCK LEFT	01 01 01
47	0511061727	JACK ADJUSTMENT	01 01 01
48	0511060205	SUPPORT HOSE CNS 20104N	01 01 01
49	0503012215	5/16" X 2-1/2" COTTERPIN	01 01 01
50	0502012702	BODY SUPPORT CLAMP	04 04 04
51	0531011180	UPPER BODY CLIP	03 03 03
52	0503012555	7/16" X 2" BOLT	04 04 04
53	0503010180	7/16" SPRING WASHER	04 04 04
54	0511060204	CLEANER - OPTIONAL	15 17 18
55	0501010243	1/2" X 1-1/2" BOLT	30 34 36
56	0503010020	1/2"NUT	30 34 36
57	0503010762	5/8" X 3-12" BOLT	01 01 01
58	0521013710	WASHER GVC 33200 SEMIMAN	08 08 08
59	0521013758	PIN TRANSMISSION	01 01 01
60	0503010839	03"X 0.6" SPRING PIN	01 01 01
61	0503010010	1/4" X 2.1/2" COTTERPIN	04 04 04
62	0503031470	TM 251 X 4,0 STAPLE	02 02 02
63	0521017809	LOWER PISTON PIN	01 01 01
64	0521019129	PIN WITH HEAD ROD PN-021	02 02 02
65	0521014904	WITHOUT HEADS PIN	01 01 01
66	0503010038	3/16 X 2 COTTERPIN	04 04 04
67	0521014913	WITHOUT HEADS PIN PN - 088	01 01 01
68	0521014938	PIN WITH HEAD ROD PN-238	01 01 01
69	0501011432	1-1/2" AND 1-5/8 GANG BOLT WRENCH	02 02 02
70	0521017830	BOLT	01 01 01
71	0503013026	1.1/4" CASTLE NUT	01 01 01
72	0503010067	3/16" X 2.1/2" COTTER PIN	01 01 01
73	0503031464	TM 211 X 3,0 STAPLE	01 01 01
74	0511063295	FRAME FRONT LEFT	00 01 00
75	0511063297	FRAME REAR LEFT	00 01 00
76	0511062355	FRAME FRONT LEFT	00 00 01
77	0511062357	FRAME REAR LEFT	00 00 01
78	0511064879	FRAME FRONT LEFT	01 00 00
79	0511064881	FRAME REAR LEFT	01 00 00
80	0501012140	FLAT WASHER	03 03 03



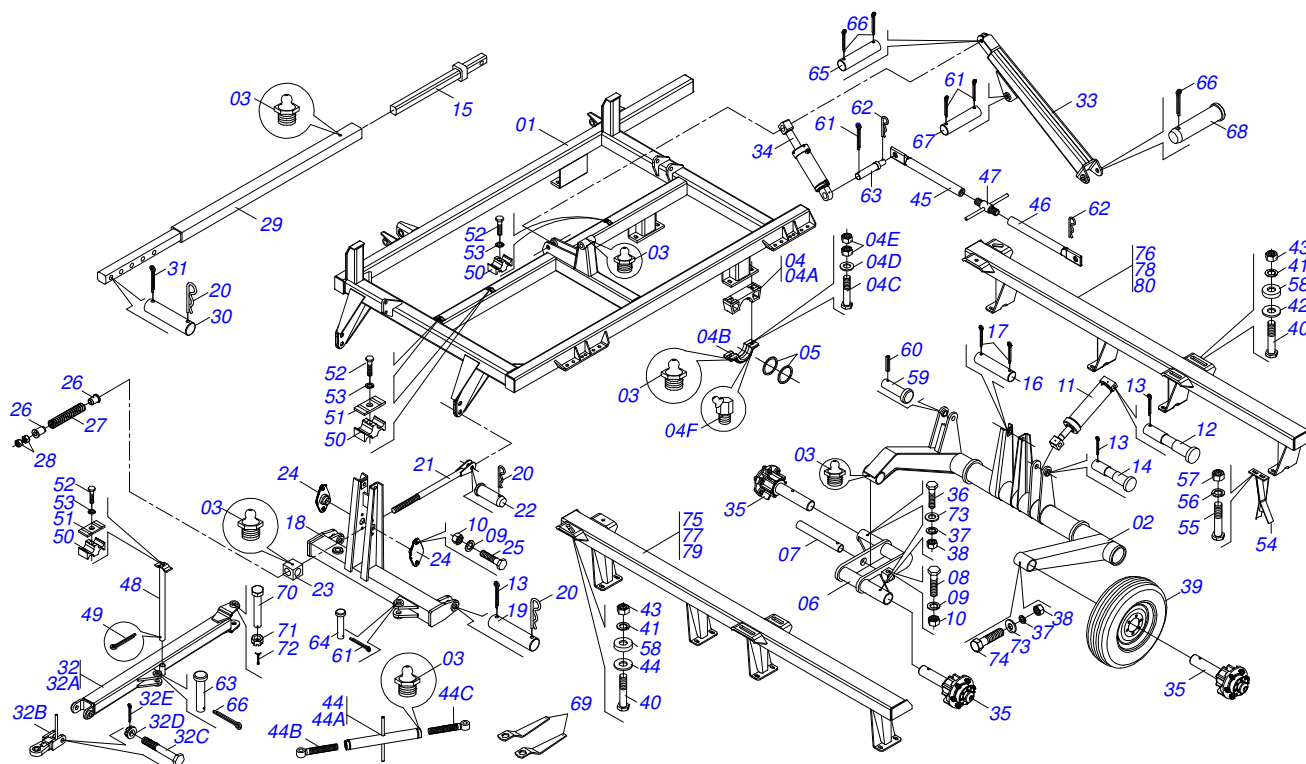
Item	Code	Description	44 48 52
01	0511062352	RIGHT FRAME GDRA	01 01 01
02	0511061845	RIGHT AXLE ASSY	01 01 01
03	0502011726	LOWER BEARING SEMI	01 01 01
04	0502011727	UPPER BEARING SEMI	01 01 01
05	0503010002	1800 GREASE FITTING	02 02 02
06	0501011545	3/4" X 6-1/2" BOLT	02 02 02
07	0521013710	WASHER GVC 33200 SEMIMAN	04 04 04
08	0503012183	SNC 3/4" ZIN 1K03097 NUT	08 08 08
09	0503012223	FELT RING	03 03 03
10	0502011583	BEARING AXLE	01 01 01
11	0503010901	3/4UNC 3.1/2 BOLT	02 02 02
12	0501010125	3/4" X 2-1/2" BOLT	08 08 08
13	0501010322	FLAT WASHER	08 08 08
14	0503010023	SPRING WASHER	08 08 08
15	0503012183	SNC 3/4" ZIN 1K03097 NUT	08 08 08
16	0501054832	WHEEL HUB CR 20M	01 01 01
17	0503060621	WHEEL ASSEMBLY CR 6.50 X 16/6TA	01 01 01
18	0503010752	1/2" X 3.1/2" BOLT	01 01 01
19	0503010019	1/2" SPRING WASHER	31 35 37
20	0503010060	1/2" NUT	01 01 01
21	0511060981	ARM	01 01 01
22	0521017729	TOP BAR LIFT	01 01 01
23	0511061735	LOWER BAR LIFT	01 01 01
24	0521013710	WASHER GVC 33200 SEMIMAN	08 08 08
25	0503031564	SPRING SIS	01 01 01
26	0511060204	CLEANER - OPTIONAL	15 17 18
27	0501010243	1/2" X 1-1/2" BOLT	30 34 36
28	0503012682	1/2" BSW NUT	30 34 36
29	0503010003	1845 GREASE FITTING	02 02 02
30	0511061736	PIVOT PIN	02 02 02
31	0503030009	1" CASTLE NUT	02 02 02
32	0503010067	3/16" X 2.1/2" COTTER PIN	02 02 02
33	0501010690	FLAT WASHER	02 02 02



RIGHT FRAME 44/ 48 / 52 DISCS

0909091744

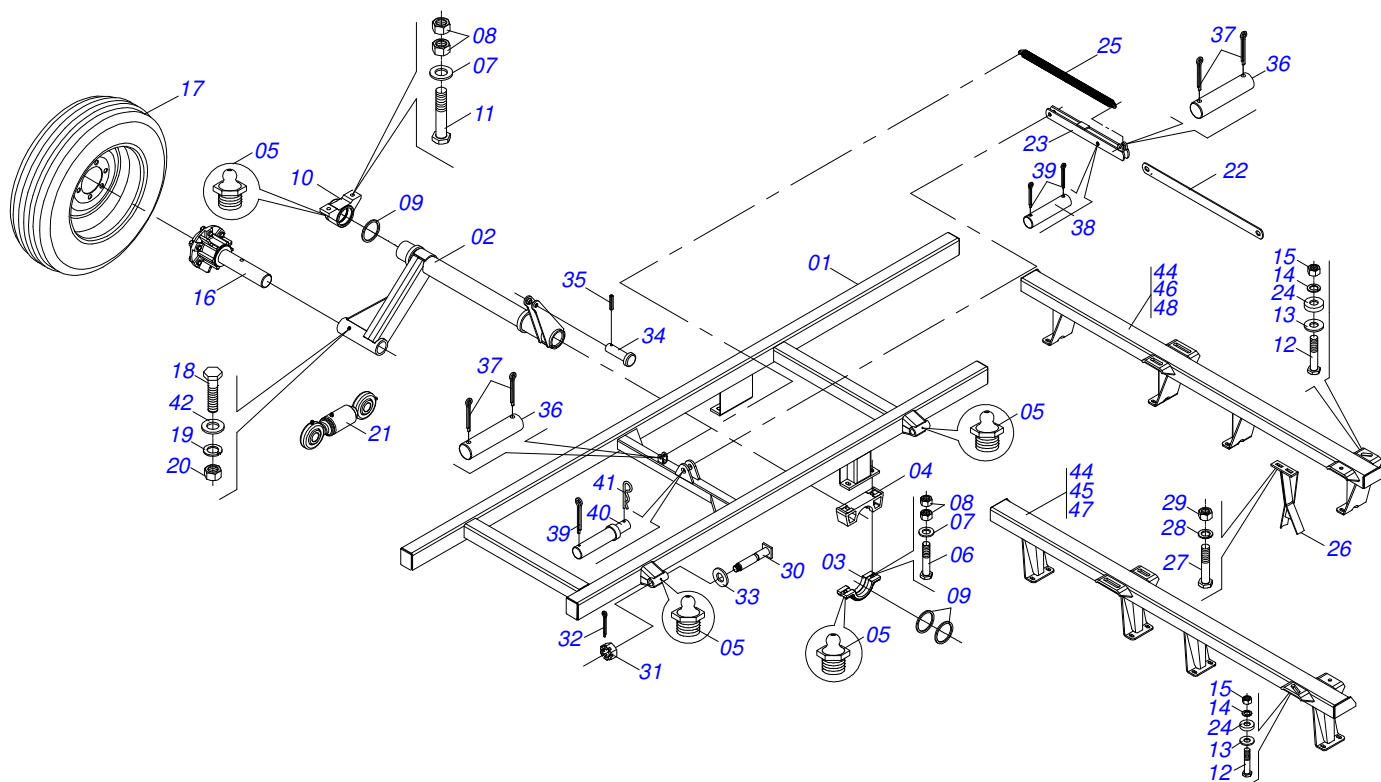
Item	Code	Description	44 48 52
34	0521013758	PIN TRANSMISSION	01 01 01
35	0503010839	03"X 0.6" SPRING PIN	01 01 01
36	0521014887	PIN SEM HEADPN-057 3090579 ZN	02 02 02
37	0503010362	1/8" X 1.1/4" COTTERPIN	04 04 04
38	0521014904	WITHOUT HEADS PIN	01 01 01
39	0503010038	3/16 X 2 COTTERPIN	03 03 03
40	0521015275	PIN BAR LIFT	01 01 01
41	0503031470	TM 251 X 4,0 STAPLE	01 01 01
42	0511063294	RIGHT FRONT FRAME	00 01 00
43	0511063296	RH REAR FRAME	00 01 00
44	0511062354	RIGHTH FRONT FRAME	00 00 01
45	0511062356	RIGHT REAR FRAME	00 00 01
46	0511064878	RIGHT FRONT FRAME	01 00 00
47	0511064880	RH REAR FRAME	01 00 00



Item	Code	Description	56	60	64
01	0521064334	LEFT FRAME	01	01	01
02	0511061719	AXLE SET LEFT	01	01	01
03	0503010002	1800 GREASE FITTING	12	12	12
04	0501052751	DEPH WHEELS AXLE BEARING	03	03	03
04A	0502011727	UPPER BEARING SEMI	03	03	03
04B	0502011726	LOWER BEARING SEMI	03	03	03
04C	0501010164	3/4 X 7 BOLT	06	06	06
04D	0521013710	WASHER GVC 33200 SEMIMAN	06	06	06
04E	0503012183	SNC 3/4" ZIN 1K03097 NUT	12	12	12
04F	0503010003	1845 GREASE FITTING	06	06	06
05	0503012260	FELT RING	06	06	06
06	0511061721	ROCKER ARM	01	01	01
07	0521015276	BELL CRANK AXLE	01	01	01
08	0503010752	1/2" X 3.1/2" BOLT	01	01	01
09	0503011440	SPRING WASHER	05	05	05
10	0503010060	1/2" NUT	05	05	05
11	0511058409	HYDRAULIC CYLINDER	01	01	01
12	0521017811	PISTON PIN	01	01	01
13	0503010010	1/4" X 2.1/2" COTTERPIN	04	04	04
14	0521014450	PIN HEAD PN - 236	01	01	01
15	0511060322	EXTENSION	01	01	01
16	0521013912	PIN HEADLESS PN - 077	01	01	01
17	0503010038	3/16 X 2 COTTERPIN	02	02	02
18	0511061722	DRAWBAR ASSY	01	01	01
19	0521014911	PIN SEM HEAD PN-085 3090853	02	02	02
20	0503031470	TM 251 X 4,0 STAPLE	04	04	04
21	0511060979	SET JACK	01	01	01
22	0521013838	PIN WITH HEAD ROD PN-004	01	01	01
23	0502011616	CROSSPIECE GVMF 60106A	01	01	01
24	0502011615	SUPPORT CROSS GR GVMF 60107N	02	02	02
25	0503010920	1/2" X 1.1/2" BOLT	04	04	04
26	0502011582	SPINDLE GUIDE GVMF 60127A	02	02	02
27	0503031526	SPRING	01	01	01



Item	Code	Description	56	60	64
28	0503012182	1" NUT	02	02	02
29	0511062201	STABILIZER BAR	01	01	01
30	0521013839	WITHOUT HEADS PIN	01	01	01
31	0503010362	1/8" X 1.1/4" COTTERPIN	01	01	01
32	0511050276	AXLE ASSY	01	01	01
32A	0511061730	AXLE ASSY	01	01	01
32B	0511060447	HOOK HITCH	01	01	01
32C	0521013837	BOLT	01	01	01
32D	0503013026	1.1/4" CASTLE NUT	01	01	01
32E	0503010067	3/16" X 2.1/2" COTTER PIN	01	01	01
33	0511061724	ARM	01	01	01
34	0501049006	HYDRAULIC CYLINDER	01	01	01
35	0501054501	WHEEL HUB	03	03	03
36	0501010163	5/8" X 4-1/2" BOLT	02	02	02
37	0503010027	SPRING WASHER	03	03	03
38	0503010013	5/8" NUT	02	02	02
39	0503060264	WHEEL SET	03	03	03
40	0501010125	3/4" X 2-1/2" BOLT	08	08	08
41	0503010023	SPRING WASHER	08	08	08
42	0501010322	FLAT WASHER	08	08	08
43	0503012183	SNC 3/4" ZIN 1K03097 NUT	08	08	08
44	0511054747	STABILIZER DRAWBAR ASSY	01	01	01
44A	0511061725	TURNBUCKLE	01	01	01
44B	0511061716	RIGHT TURNBUCKLE	01	01	01
44C	0511060980	LEFT TURNBUCKLE	01	01	01
45	0521017828	LOCK RIGHT	01	01	01
46	0521017829	LOCK LEFT	01	01	01
47	0511061727	JACK ADJUSTMENT	01	01	01
48	0511060205	SUPPORT HOSE CNS 20104N	01	01	01
49	0503012215	5/16" X 2-1/2" COTTERPIN	01	01	01
50	0502012702	BODY SUPPORT CLAMP	04	04	04
51	0531011180	UPPER BODY CLIP	03	03	03
52	0503012555	7/16" X 2" BOLT	04	04	04
53	0503010180	7/16" SPRING WASHER	04	04	04
54	0511060204	CLEANER - OPTIONAL	19	21	22
55	0501010243	1/2" X 1-1/2" BOLT	38	42	44
56	0503010019	1/2" SPRING WASHER	38	42	44
57	0503012682	1/2" BSW NUT	38	42	44
58	0521013710	WASHER GVC 33200 SEMIMAN	08	08	08
59	0521013758	PIN TRANSMISSION	01	01	01
60	0503010839	03"X 0.6" SPRING PIN	01	01	01
61	0503010010	1/4" X 2.1/2" COTTERPIN	05	05	05
62	0503031470	TM 251 X 4,0 STAPLE	02	02	02
63	0521017809	LOWER PISTON PIN	01	01	01
64	0521014259	PIN WITH HEAD PN-035 3090359 ZN	02	02	02
65	0521014904	WITHOUT HEADS PIN	01	01	01
66	0503010038	3/16 X 2 COTTERPIN	03	03	03
67	0521014913	WITHOUT HEADS PIN PN - 088	01	01	01
68	0521014938	PIN WITH HEAD ROD PN-238	01	01	01
69	0501011432	1-1/2" AND 1-5/8 GANG BOLT WRENCH	02	02	02
70	0521017830	BOLT	01	01	01
71	0503013026	1.1/4" CASTLE NUT	01	01	01
72	0503010067	3/16" X 2.1/2" COTTER PIN	01	01	01
73	0501012140	FLAT WASHER	03	03	03
74	0503010762	5/8" X 3-12" BOLT	01	01	01
75	0511062349	LEFT FRONT FRAME	01	00	00
76	0511062351	LEFT REAR FRAME	01	00	00
77	0511062198	RIGHT FRONT FRAME	00	01	00
78	0511062200	LEFT REAR FRAME	00	01	00
79	0511064504	LEFT FORNT FRAME	00	00	01
80	0511064506	LEFT REAR FRAME	00	00	01

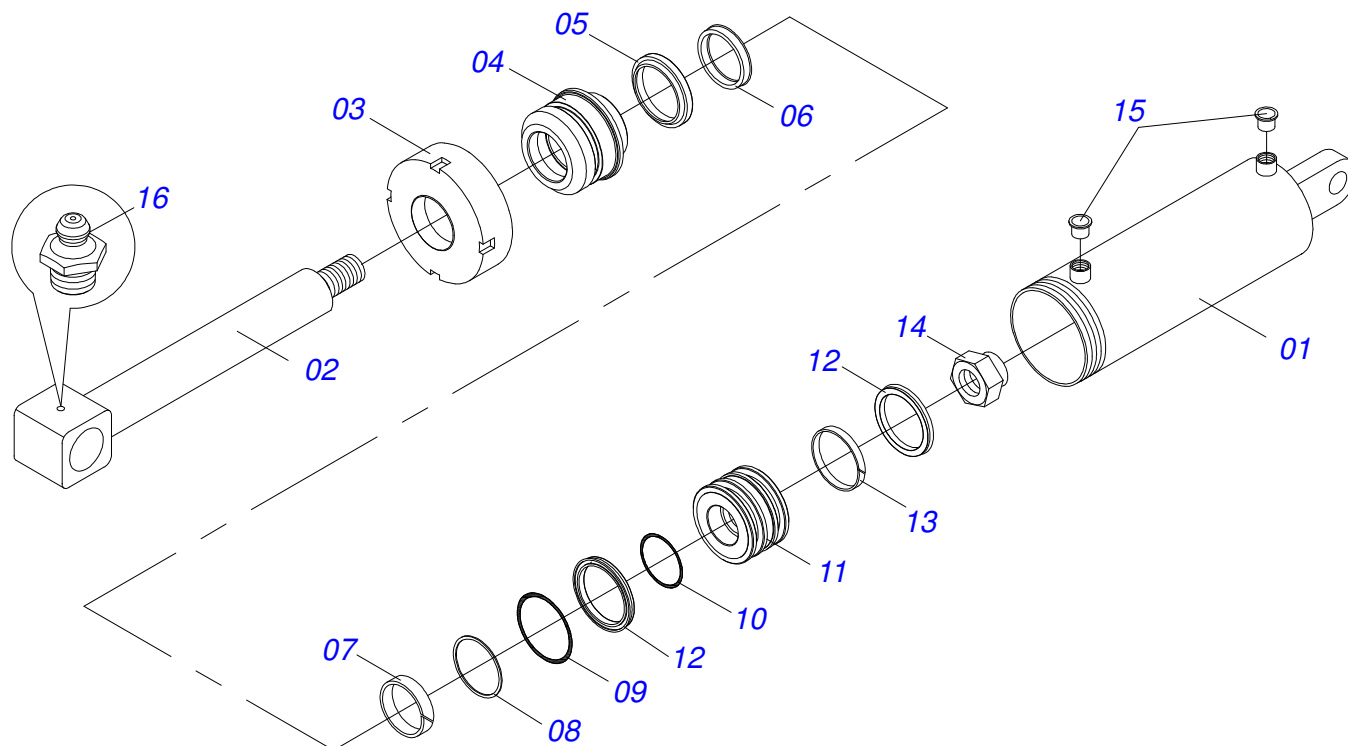


Item	Code	Description	56 60 64
01	0511062196	RIGHT FRAME	01 01 01
02	0511061720	SET AXLE RIGHT	01 01 01
03	0502011726	LOWER BEARING SEMI	01 01 01
04	0502011727	UPPER BEARING SEMI	01 01 01
05	0503010002	1800 GREASE FITTING	05 05 05
06	0501011545	3/4" X 6-1/2" BOLT	02 02 02
07	0521013710	WASHER GVC 33200 SEMIMAN	04 04 04
08	0503012183	SNC 3/4" ZIN 1K03097 NUT	08 08 08
09	0503012223	FELT RING	03 03 03
10	0502011583	BEARING AXLE	01 01 01
11	0503010901	3/4UNC 3.1/2 BOLT	02 02 02
12	0501010125	3/4" X 2-1/2" BOLT	08 08 08
13	0501010322	FLAT WASHER	08 08 08
14	0503010023	SPRING WASHER	08 08 08
15	0503012183	SNC 3/4" ZIN 1K03097 NUT	08 08 08
16	0501054501	WHEEL HUB	01 01 01
17	0503060264	WHEEL SET	01 01 01
18	0501010163	5/8" X 4-1/2" BOLT	01 01 01
19	0503010027	SPRING WASHER	01 01 01
20	0503010013	5/8" NUT	01 01 01
21	0511060981	ARM	01 01 01
22	0521017729	TOP BAR LIFT	01 01 01
23	0511061735	LOWER BAR LIFT	01 01 01
24	0521013710	WASHER GVC 33200 SEMIMAN	08 08 08
25	0503031564	SPRING SIS	01 01 01
26	0511060204	CLEANER - OPTIONAL	19 21 22
27	0501010243	1/2" X 1-1/2" BOLT	38 42 44
28	0503010019	1/2" SPRING WASHER	38 42 44
29	0503012682	1/2" BSW NUT	38 42 44
30	0511061736	PIVOT PIN	02 02 02
31	0503030009	1" CASTLE NUT	02 02 02
32	0503010067	3/16" X 2.1/2" COTTER PIN	02 02 02
33	0501011445	FLAT WASHER	02 02 02

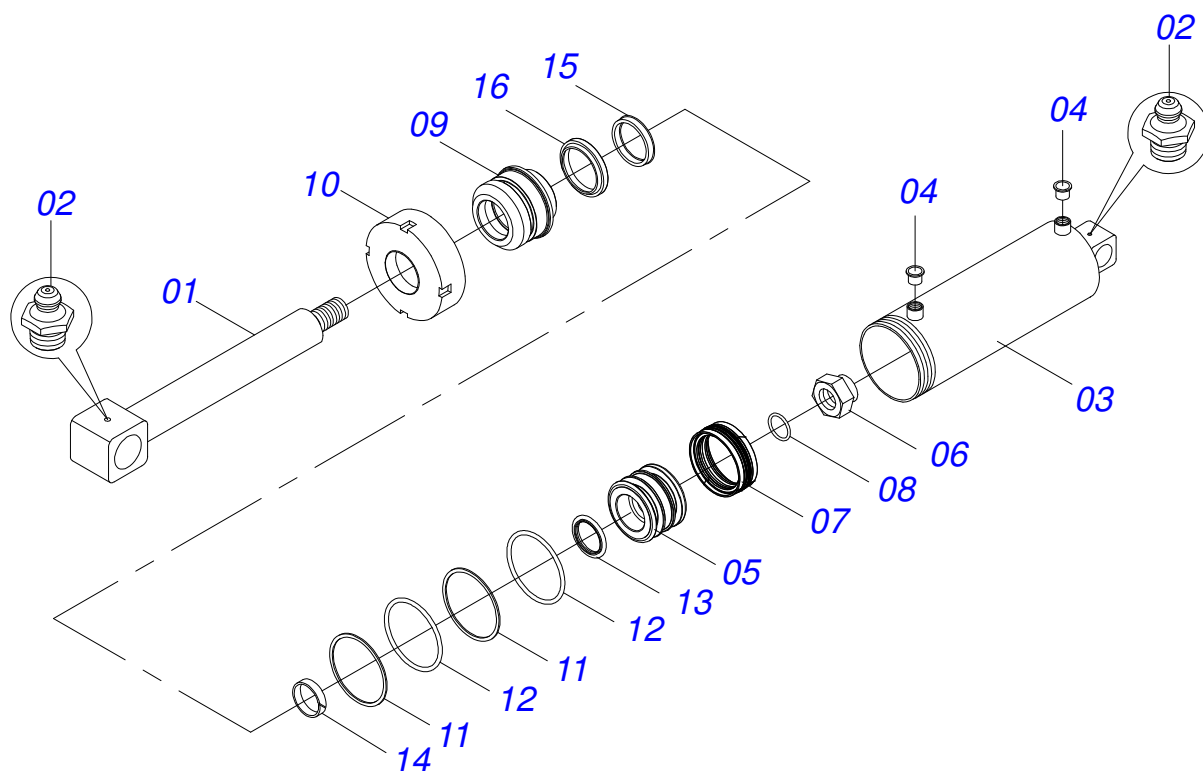


GNALCR 44 A 64 D
RIGHT FRAME 56/ 60/ 64

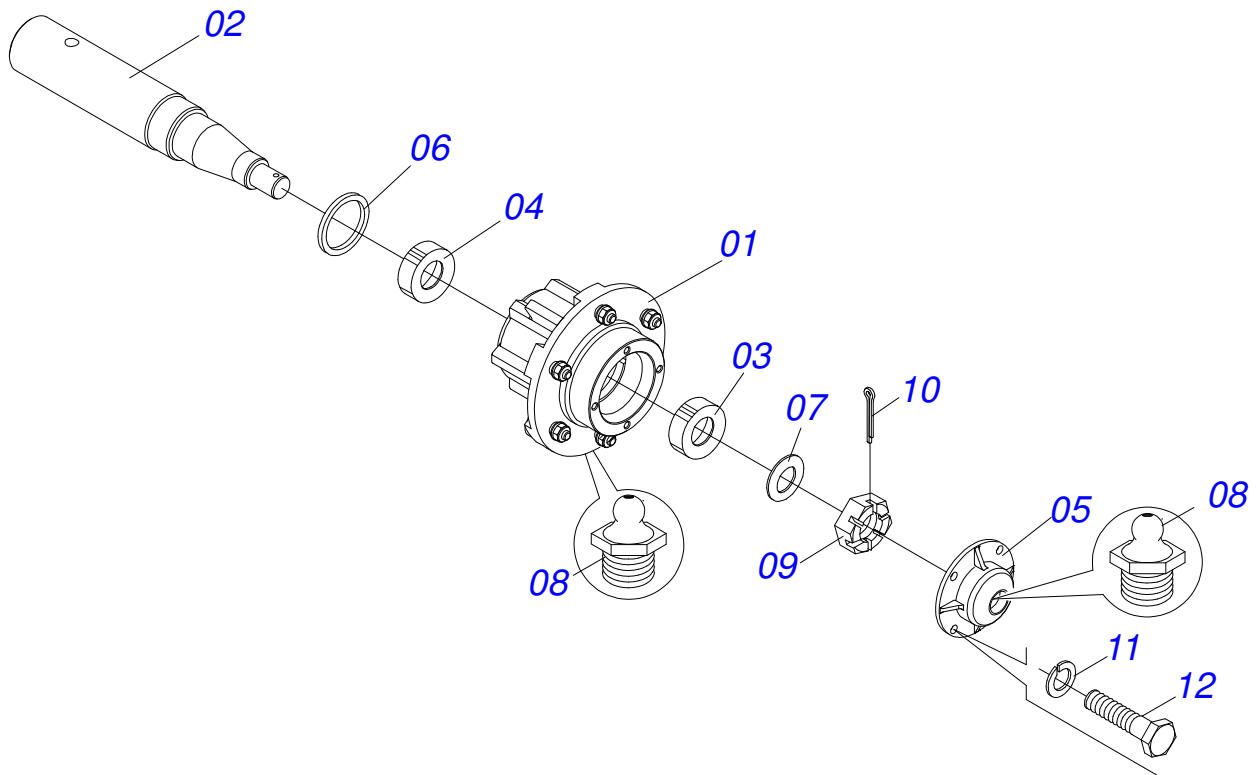
Item	Code	Description	56 60 64
34	0521013758	PIN TRANSMISSION	01 01 01
35	0503010839	03"X 0.6" SPRING PIN	01 01 01
36	0521014887	PIN SEM HEADPN-057 3090579 ZN	02 02 02
37	0503010362	1/8" X 1.1/4" COTTERPIN	04 04 04
38	0521014904	WITHOUT HEADS PIN	01 01 01
39	0503010038	3/16 X 2 COTTERPIN	03 03 03
40	0521015275	PIN BAR LIFT	01 01 01
41	0503031470	TM 251 X 4,0 STAPLE	01 01 01
42	0501012140	FLAT WASHER	01 01 01
43	0511062348	RIGHT FRONT FRAME	01 00 00
44	0511062350	RIGHT REAR FRAME	01 00 00
45	0511062197	RH FRONT FRAME	00 01 00
46	0511062199	RIGHT REAR FRAME	00 01 00
47	0511064503	RIGHT FRONT FRAME	00 00 01
48	0511064505	RIGHT REAR FRAME	00 00 01



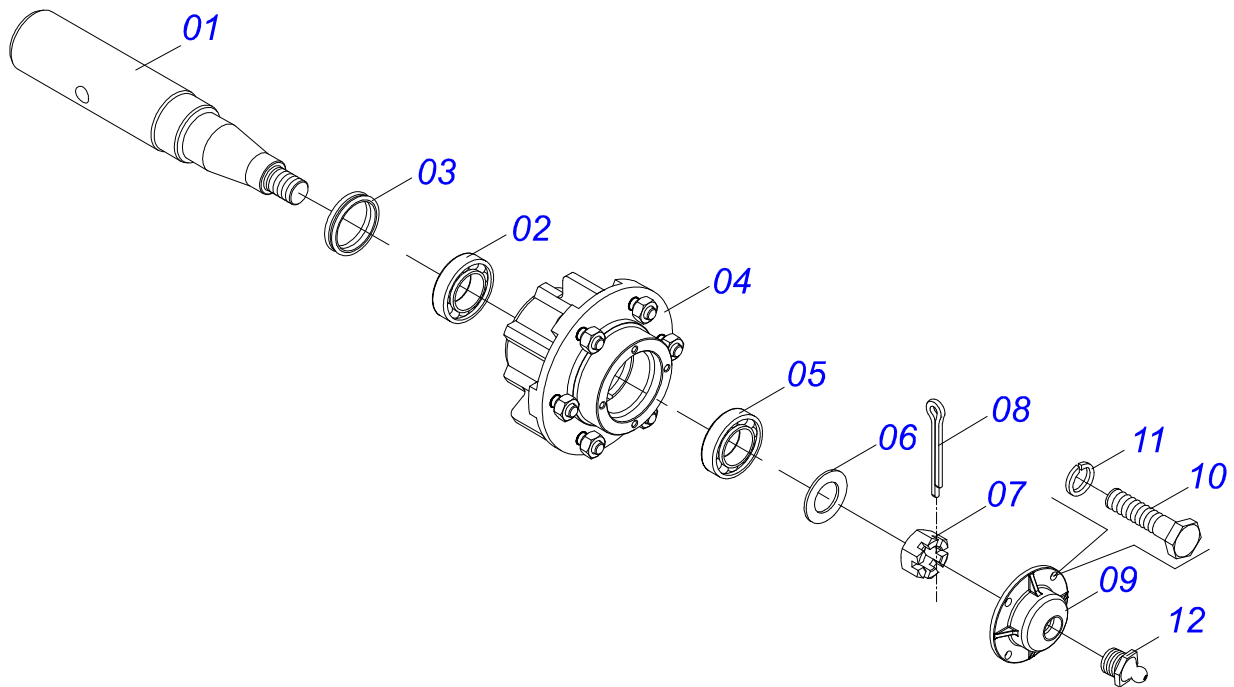
Item	Code	Description	QT
01	0511064367	CYLINDER CASE	01
02	0511062403	50,8 X 604 TURNBUCKLE	01
03	0502010017	4" HEAD	01
04	0502010778	2" X 4.2" RING SUPPORT	01
05	0503010039	D-2000 SCRAPER RING	01
06	0503010991	PACKING 1870-2000-375-B	01
07	0503010952	W2-2250-500 PK RING G.E	01
08	0503011061	8-342 BACK-UP RING	01
09	0503010338	2-342 N 3006-9B O'RING	01
10	0503010345	2-218 N 3006-9B O'RING	01
11	0502010992	2.0" X 4.0" PISTON	01
12	0503010043	PACKING 3750-3250	02
13	0503010994	W2-4000-500 PK RING G.E	01
14	0503010044	1-1/4" SELF-ADJUSTING NUT	01
15	0503030384	CON N-001 PLUG	02
16	0503010002	1800 GREASE FITTING	01



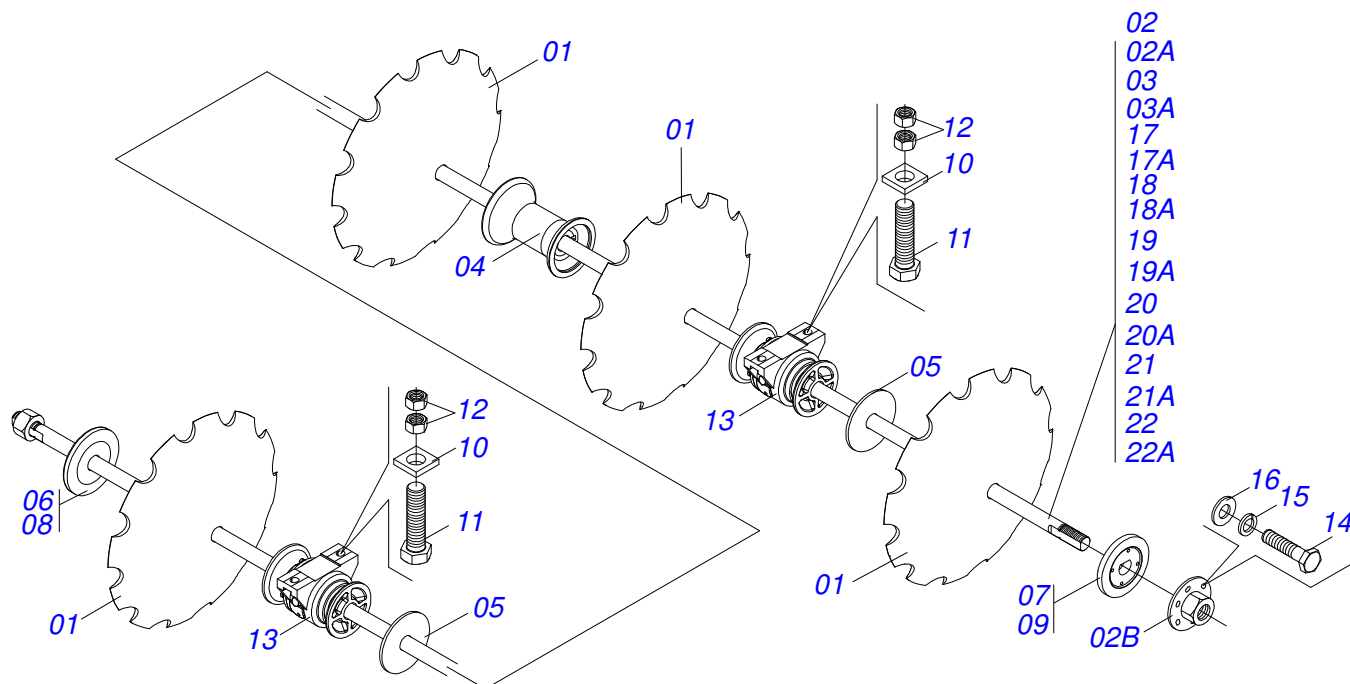
Item	Code	Description	QT
001	0511062407	44,45 X 428 TURNBUCKLE	01
002	0503010002	1800 GREASE FITTING	02
003	0511062408	101,6 X 366 CYLINDER CASE	01
004	0503030384	CON N-001 PLUG	02
005	0581010837	PISTON	01
006	0503010817	1-1/4" SELF-ADJUSTING NUT	01
007	0503015633	SELEMASTER SEALING	01
008	0503018029	2-217 O'RING	01
009	0581010302	RING OF SUPPORT	01
010	0502012822	101,60 MOBILE COVER	01
011	0503011061	8-342 BACK-UP RING	02
012	0503010338	2-342 N 3006-9B O'RING	02
013	0503017936	RING	01
014	0503017938	RING GUIDE	01
015	0503017937	GASKET	01
016	0503010761	D-1750 SCRAPER RING	01



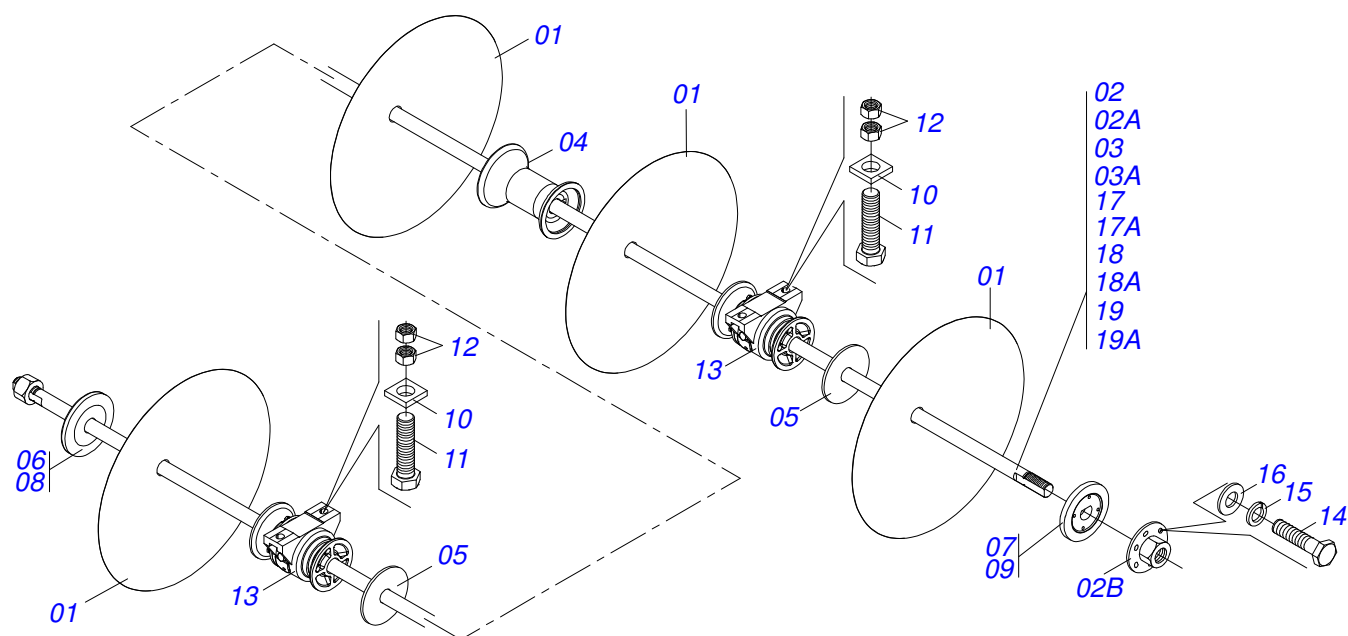
Item	Code	Description	QT
01	0501110728	WHEEL HUB	01
02	0541010160	AXLE CR 20M/1	01
03	0503010037	30207 ROLLER BEARING	01
04	0503010006	32210 ROLLER BEARING	01
05	0502020591	PROTECCION COVER	01
06	0503010084	SEAL	01
07	0501016545	FLAT WASHER	01
08	0503010002	1800 GREASE FITTING	01
09	0503030009	1" CASTLE NUT	01
10	0503010018	5/32 X 1-1/2 COTTERPIN	01
11	0503011444	SPRING WASHER	04
12	0503010358	5/16" X 5/8" BOLT	04



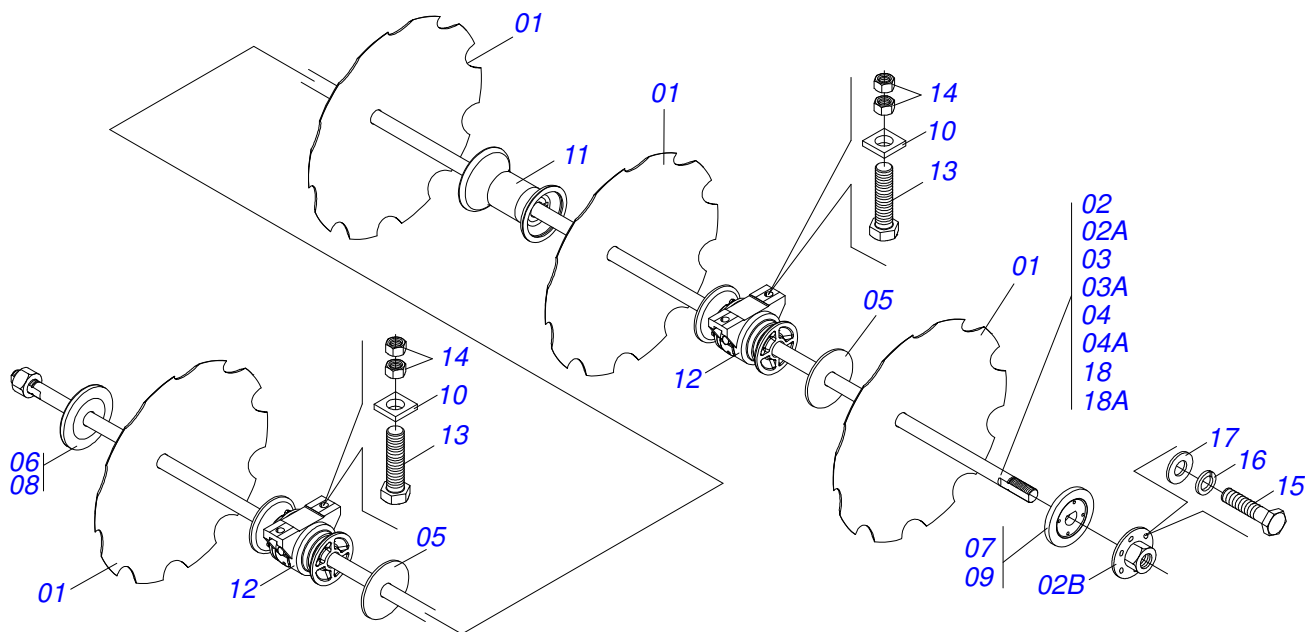
Item	Code	Description	QT
01	0531018161	AXLE	01
02	0503010006	32210 ROLLER BEARING	01
03	0503010084	SEAL	01
04	0501110728	WHEEL HUB	01
05	0503010037	30207 ROLLER BEARING	01
06	0501016545	FLAT WASHER	01
07	0503030009	1" CASTLE NUT	01
08	0503010018	5/32 X 1-1/2 COTTERPIN	01
09	0502020591	PROTECCION COVER	01
10	0503010358	5/16" X 5/8" BOLT	04
11	0503011444	SPRING WASHER	04
12	0503010002	1800 GREASE FITTING	01



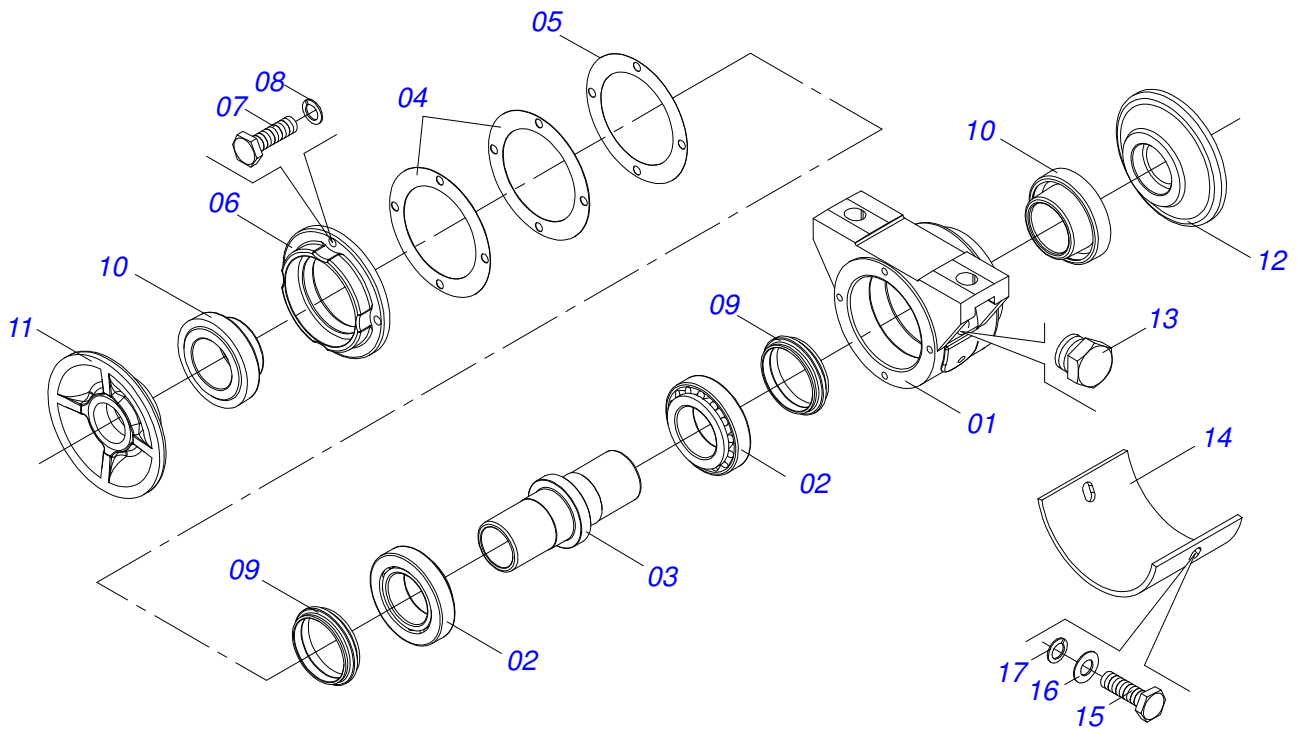
Item	Code	Description	44	48	52	56	60	64
01	0602029409	22" X 4,5 NOTCHED DISC BLADE	22	24	26	28	30	32
02	0511051215	AXLE DISC	01	00	01	00	00	00
02A	0511060779	AXLE DISC	01	00	01	00	00	00
02B	0502011593	7" AXLE NUT	02	02	03	04	04	04
03	0511053110	AXLE DISC	01	00	00	00	00	00
03A	0511060802	AXLE DISC	01	00	00	00	00	00
04	0502011594	SPACER	14	16	16	16	16	19
05	0521013879	GNC 57900 CHOCK	02	02	03	04	04	04
06	0502011608	INNER FLANGE	01	01	01	01	02	01
07	0502011609	OUTER FLANGE	01	01	02	03	02	03
08	0502011606	INNER FLANGE	01	01	02	03	02	03
09	0502011607	OUTER FLANGE	01	01	01	01	02	01
10	0521013775	FLAT WASHER	12	12	14	16	16	18
11	0503012246	5/8" X 2-3/4" BOLT	12	12	14	16	16	18
12	0503010129	5/8" NUT	24	24	28	32	32	36
13	0511040472	AGRICULTURAL BEARING	06	06	07	08	08	09
14	0503010237	3/8" X 1" BOLT	04	04	06	08	08	08
15	0503010025	3/8 SPRING WASHER	04	04	06	08	08	08
16	0501013518	FLAT WASHER	04	04	06	08	08	08
17	0511052039	AXLE DISC	00	01	00	00	00	00
17A	0511060804	AXLE DISC	00	01	00	00	00	00
18	0511050474	AXLE DISC WITH NUTS	00	01	00	00	00	00
18A	0511060803	AXLE DISC	00	01	00	00	00	00
19	0511050279	AXLE DISC WITH NUTS	00	00	02	02	02	01
19A	0511060778	AXLE DISC	00	00	02	02	02	01
20	0511050278	AXLE DISC WITH NUTS	00	00	00	01	02	02
20A	0511060796	AXLE DISC	00	00	00	01	02	02
21	0511050919	AXLE DISC WITH NUTS	00	00	00	01	00	00
21A	0511060794	AXLE DISC	00	00	00	01	00	00
22	0511050277	AXLE DISC WITH NUTS	00	00	00	00	00	01
22A	0511060795	AXLE DISC	00	00	00	00	00	01



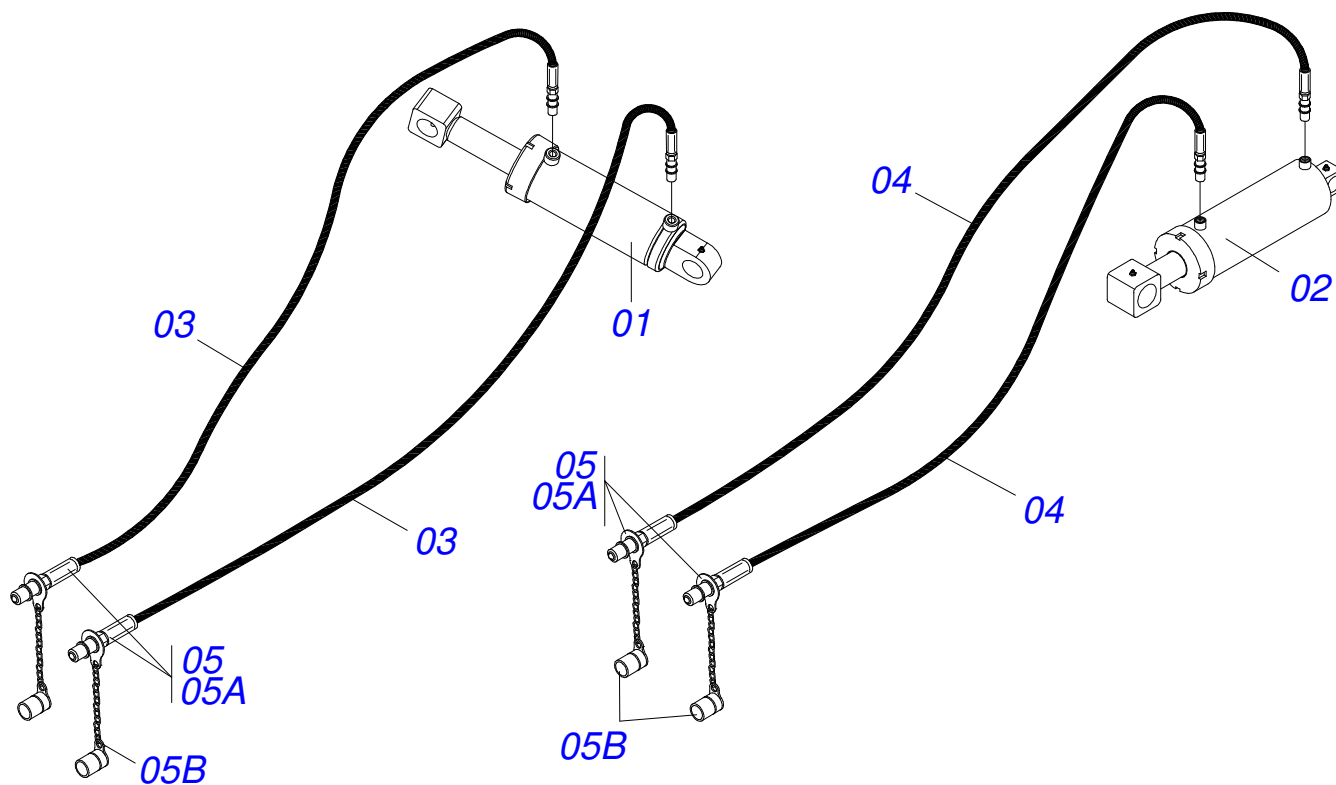
Item	Code	Description	44	48	52
01	0601029406	22" X 4,5 PLAIN DISC BLADE	22	24	26
01.	0602029409	22" X 4,5 NOTCHED DISC BLADE	22	24	26
02	0511051215	AXLE DISC	01	00	01
02A	0511060779	AXLE DISC	01	00	01
02B	0502011593	7" AXLE NUT	02	02	03
03	0511053110	AXLE DISC	01	00	00
03A	0511060802	AXLE DISC	01	00	00
04	0502011594	SPACER	14	16	16
05	0521013879	GNC 57900 CHOCK	02	02	03
06	0502011608	INNER FLANGE	01	01	01
07	0502011609	OUTER FLANGE	01	01	02
08	0502011606	INNER FLANGE	01	01	02
09	0502011607	OUTER FLANGE	01	01	01
10	0521013775	FLAT WASHER	12	12	14
11	0503012246	5/8" X 2-3/4" BOLT	12	12	14
12	0503010129	5/8" NUT	24	24	28
13	0511040472	AGRICULTURAL BEARING	06	06	07
14	0503010237	3/8" X 1" BOLT	04	04	06
15	0503010025	3/8 SPRING WASHER	04	04	04
16	0501013518	FLAT WASHER	04	04	04
17	0511052039	AXLE DISC	00	01	00
17A	0511060804	AXLE DISC	00	01	00
18	0511050474	AXLE DISC WITH NUTS	00	01	00
18A	0511060803	AXLE DISC	00	01	00
19	0511050279	AXLE DISC WITH NUTS	00	00	02
19A	0511060778	AXLE DISC	00	00	02



Item	Code	Description	56	60	64
01	0602029409	22" X 4,5 NOTCHED DISC BLADE	28	30	32
01.	0601029406	22" X 4,5 PLAIN DISC BLADE	28	30	32
02	0511050919	AXLE DISC WITH NUTS	01	00	00
02A	0511060794	AXLE DISC	01	00	00
02B	0502011593	7" AXLE NUT	04	04	04
03	0511050278	AXLE DISC WITH NUTS	01	02	02
03A	0511060796	AXLE DISC	01	02	02
04	0511050279	AXLE DISC WITH NUTS	02	02	01
04A	0511060778	AXLE DISC	02	02	01
05	0521013879	GNC 57900 CHOCK	04	04	04
06	0502011608	INNER FLANGE	03	02	03
07	0502011609	OUTER FLANGE	01	02	01
08	0502011606	INNER FLANGE	01	02	01
09	0502011607	OUTER FLANGE	03	02	03
10	0521013775	FLAT WASHER	16	16	18
11	0502011594	SPACER	16	16	19
12	0511040472	AGRICULTURAL BEARING	08	08	09
13	0503012246	5/8" X 2-3/4" BOLT	16	16	18
14	0503010129	5/8" NUT	32	32	36
15	0503010237	3/8" X 1" BOLT	08	08	08
16	0503010025	3/8 SPRING WASHER	08	08	08
17	0501013518	FLAT WASHER	08	08	08
18	0511050277	AXLE DISC WITH NUTS	00	00	01
18A	0511060795	AXLE DISC	00	00	01



Item	Code	Description	QT
01	0502012014	BODY BEARING	01
02	0503010006	32210 ROLLER BEARING	02
03	0502040514	157,50 / 157,35 AXLE	01
04	0503031730	JOINT SEALING	02
05	0503031729	JOINT SEALING	01
06	0502012015	BEARING COVER	01
07	0503010371	5/16" X 1" BOLT	04
08	0503011444	SPRING WASHER	04
09	0503030026	SEAL LP JB-253	02
10	0502010541	SEAL RETAINER	02
11	0502010604	OUTER FLANGE	01
12	0502010605	INNER FLANGE	01
13	0503010856	OIL PLUG	01
14	0521013857	PLATE PROTECTION	01
15	0503011334	3/8" X 3/4" BOLT	02
16	0501010984	FLAT WASHER	02
17	0503010025	3/8 SPRING WASHER	02



Item	Code	Description	QT
01	0501049006	HYDRAULIC CYLINDER	01
02	0511058409	HYDRAULIC CYLINDER	01
03	0501080810	3/8 X 6500 TM-TM HOSE	02
04	0501080802	3/8 X 6200 TM-TM HOSE	02
05	0501053834	QUICK CONECTION (MALE) 1/2	04
05A	0503011627	QUICK CONNECTION (MALE) AGR 1/2 NPT	04
05B	0503011882	QUICK CONNECTION COVER	04



MARCHESAN IMPLEMENTOS E MÁQUINAS AGRÍCOLAS TATU S.A.

AV. Marchesan, 1979 - Post office box, 131 - CEP 15994-900 - Matão - SP - Brazil

Phone +55 16.3382-8282

(FAX Parts) + 55 16.3382. 8297 - (Export) + 55 16.3382.1003

e.mail: tatu@marchesan.com.br www.marchesan.com.br

Technical Publications: Elaboration

JOSÉ DOMINGOS GASPARI

Technical Publications: Revision

ALESSANDRA PATRICIA KAWAHARA CARRILI

Contact Catálogo:

E-mail = jgaspari@marchesan.com.br

**ORIGINAL PARTS
TATU**

