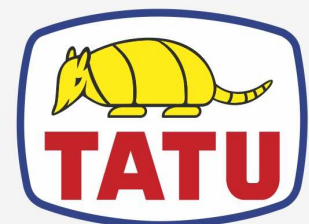


**CHISEL PLOW**

# EST/MATIC 300 G3 - 09/11/13/15/17/19/21/23 ROD

**Code:** 0501091232  
**Series:** S-0115  
**Revision:** 00  
**Date Revision:** JANEIRO/2022

# PARTS CATALOGUE



**MARCHESAN**



# PRODUCTS

Code	Description
0101210040	EST/MATIC 300 G3 11H DC RD S-0115
0101210042	EST/MATIC 300 G3 13H DC RD S-0115
0101210057C	EST/MATIC 300 G3 15H DC RD R/DUP EXT S-0115
0101210057	EST/MATIC 300 G3 15H DC RD R/DUP S-0115
0101210044	EST/MATIC 300 G3 15H DC RD S-0115
0101210056	EST/MATIC 300 G3 17/15H DC RD S-0115
0101210048	EST/MATIC 300 G3 17H DC RD S-0115
0101210050	EST/MATIC 300 G3 19H DC RD S-0115
0101210046	EST/MATIC 300 G3 21H DC RD S-0115
0101210052	EST/MATIC 300 G3 23H DC RD S-0115
0101210038	EST/MATIC 300 G3 9H DC RD S-0115

## ATTENTION: IMPORTANT

Marchesan S.A. reserves the right to improve and/or modify the technical features of its products, without obligation to do the same with those products already sold and without prior knowledge of the dealer or the consumer. The photos are only illustrative.

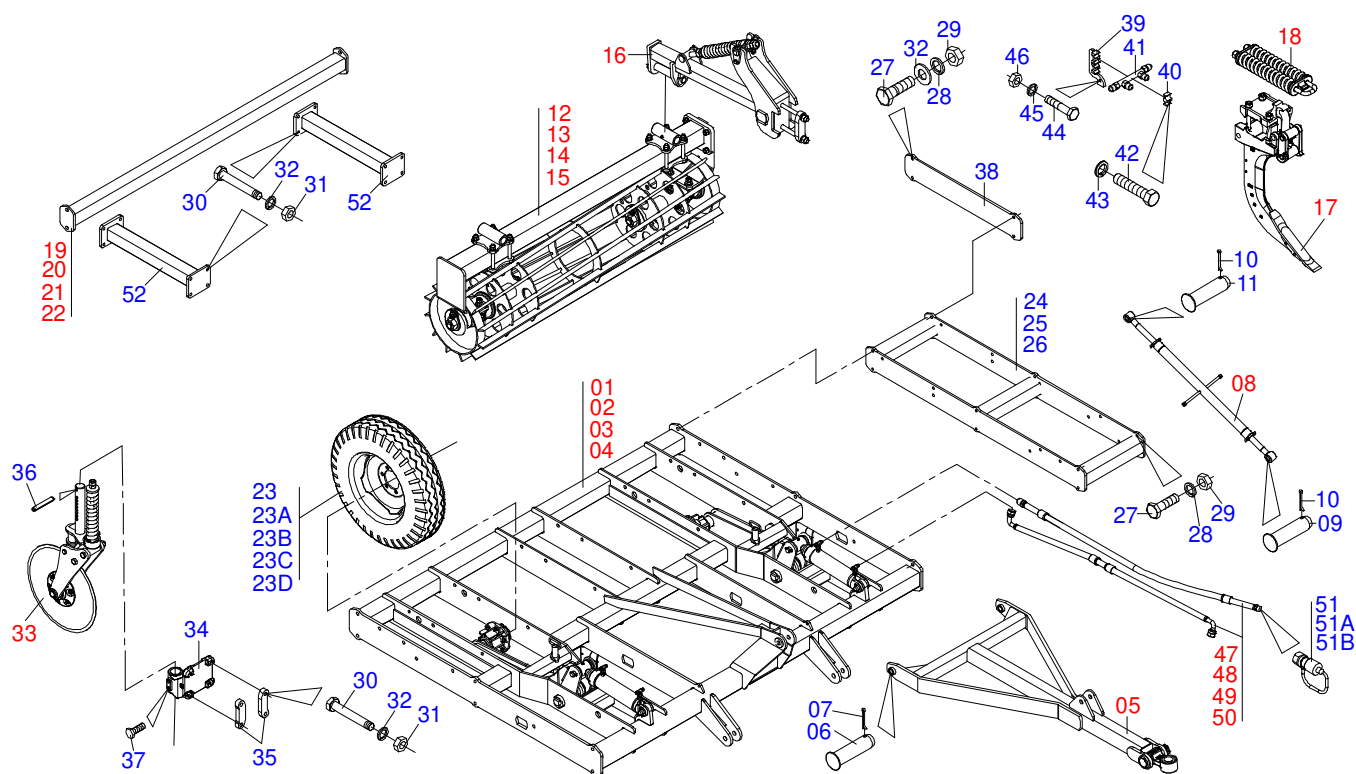


**MARCHESAN**

# INDEX

0909092360	ASSY FRAME	.....	1
0909092361	ASSY FRAME	.....	2
0511053513	SEMI ASSEMBLED FRAME	.....	3
0511057030	SEMI ASSEMBLED FRAME WITH EXTENSION	.....	4
0511057039	SEMI ASSEMBLED FRAME WITH EXTENSION	.....	5
0511057045	SEMI ASSEMBLED FRAME WITH EXTENSION	.....	6
0511055878	SEMI ASSEMBLED FRAME WITHOUT EXTENSION	.....	7
0511057052	SEMI ASSEMBLED FRAME WITH EXTENSION	.....	8
0511057049	SEMI ASSEMBLED FRAME WITH EXTENSION	.....	9
0511057053	SEMI ASSEMBLED FRAME WITH EXTENSION	.....	10
0511053317	RIGHT WHEEL ASSY	.....	11
0511053318	LEFT WHEEL ASSY	.....	12
0521045634	HYDRAULIC CYLINDER 44,45 X 85,7 X 515 X 205	.....	13
0521045633	HYDRAULIC CYLINDER 53,98 X 101,60 X 515 X 205	.....	14
0521045737	HYDRAULIC CILINDER 44,45 X 85,72 X 515 X 205	.....	15
0521044408	DRAWBAR WITH HITCH	.....	16
0521043174	DRAWBAR ASSY	.....	17
0511048088	DRAWBAR JACK	.....	18
0909094642	WHEEL ASSY	.....	19
0521041963	ROD WITH ARM/DISARMENT	.....	20
0501052885	3/4 UNC X 450 FASTENER ASSY	.....	21
0521040915	HYDRAULIC CYLINDER 44,45 X 85,7 X 515 X 203	.....	22
0521040391	HYDRAULIC CYLINDER 53,98 X 101,6 X 515 X 203	.....	23
0521045333	BLADE DISC 20	.....	24
0511058648	HUB WITH 20" DISC BLADE	.....	25
0501047356	ESTABILIZER ASSY	.....	26
0501054088	DRAWBAR STABILIZER ASSEMBLY	.....	27
0521045085	BREAKER ROLLER ARM ASSY	.....	28
0521045127	BREAK ROLLER	.....	29
0521045128	CAGE ROLLER ASSEMBLY	.....	30
0521045129	BREAK ROLLER	.....	31
0521044951	BREAK ROLLER	.....	32
0501042180	BEARING DUROMARK OL 192,5 X 1.1/4 IT	.....	33
0909091851	HYDRAULIC CIRCUIT WITH SEED BOX	.....	34
0909091852	HYDRAULIC CIRCUIT WITH SEED BOX	.....	35
0909090702	HYDRAULIC CIRCUIT	.....	36

ASSY FRAME



Item	Code	Description	See page	09	11	13	15
01	0511053513	SEMI ASSEMBLED FRAME	3	01	00	00	00
02	0511057030	SEMI ASSEMBLED FRAME WITH EXTENSION	4	00	01	00	00
03	0511057039	SEMI ASSEMBLED FRAME WITH EXTENSION	5	00	00	01	00
04	0511057045	SEMI ASSEMBLED FRAME WITH EXTENSION	6	00	00	00	01
05	0521044408	DRAWBAR WITH HITCH	16	01	01	01	01
06	0571012422	COUPLING SHAFT		02	02	02	02
07	0503010523	1/4" X 2" COTTERPIN		02	02	02	02
08	0501047356	ESTABILIZER ASSY	26	01	01	01	01
09	0521010578	COUPLING SHAFT		01	01	01	01
10	0503010571	1/4" X 1.1/2 COTTERPIN		02	02	02	02
11	0521010582	COUPLING SHAFT		01	01	01	01
12	0521045127	BREAK ROLLER	29	02	00	00	00
13	0521045128	CAGE ROLLER ASSEMBLY	30	00	02	00	00
14	0521045129	BREAK ROLLER	31	00	00	02	00
15	0521044951	BREAK ROLLER	32	00	00	00	02
16	0521045085	BREAKER ROLLER ARM ASSY	28	04	04	04	04
17	0521041963	ROD WITH ARM/DISARMENT	20	09	11	13	15
18	0501052885	3/4 UNC X 450 FASTENER ASSY	21	09	11	13	15
19	0521065568	EXTENSION		01	00	00	00
20	0521065408	EXTENSION		00	01	00	00
21	0521065569	EXTENSION		00	00	01	00
22	0521065251	EXTENSION		00	00	00	01
23	0503062010	750 X 16-12L ASSY WHEEL AND TIRE		02	02	02	02
23A	0521062708	WHEEL 5,50 X 16 X 118 X 6F 16,50 X 152,40		02	02	02	02
23B	0503010033	7.50 X 16 INNER TIRE		02	02	02	02
23C	0503012864	TYRE		02	02	02	02
23D	0503010471	0.3" X 0.6" PROTECTION		02	02	02	02
24	0521064117	EXTENSION		00	02	00	00
25	0521064120	EXTENSION		00	00	02	00
26	0521064135	EXTENSION		00	00	00	02
27	0501010125	3/4" X 2-1/2" BOLT		08	08	08	08

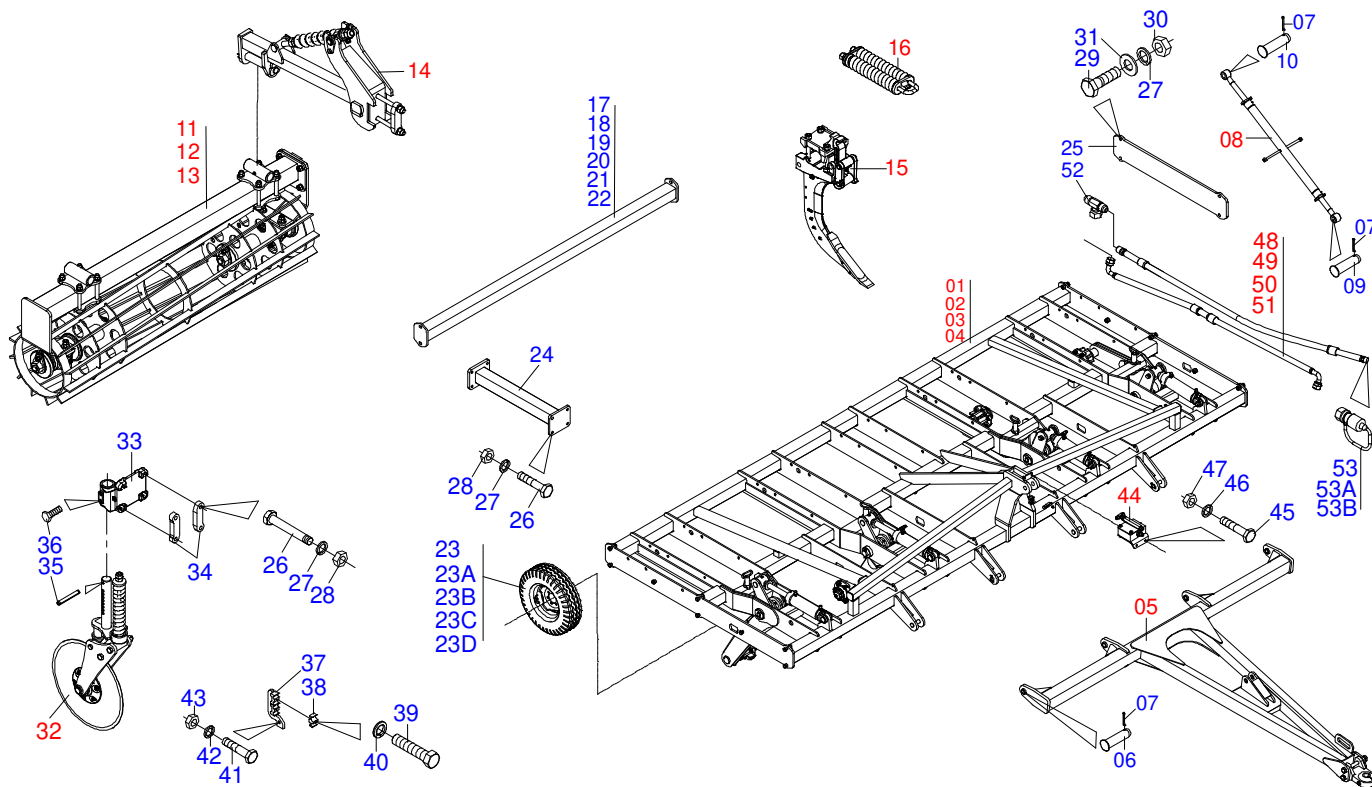


ASSY FRAME

0909092360

Item	Code	Description	See page	09	11	13	15
28	0503010023	3/4" SPRING WASHER		60	68	76	84
29	0503011075	3/4" UNC NUT		08	08	08	08
30	0503014744	3/4 UNF X 7.1/2 C S G.7 ZN BOLT		52	60	84	92
31	0503010335	3/4"NUT		52	60	84	92
32	0511015255	FLAT WASHER		04	04	04	04
33	0521045333	BLADE DISC 20	24	09	11	13	15
34	0502012796	BLADE DISC SUPPORT ASSY		09	11	13	15
35	0571011609	FIXER PLATE CUTTING DISC		26	30	42	46
36	0503016184	SPRING PIN		09	11	13	15
37	0511016156	BOLT 5/8 UNC X1.1/2 CS PC G.5 ZN		18	22	26	30
38	0571017219	EXTENSION LOCK		02	02	02	02
39	0521065068	HOSE FIXER SUPPORT		03	03	03	03
40	0502012702	BODY SUPPORT CLAMP		06	06	06	06
41	0501068088	OIL TUBE		01	01	01	01
42	0503012555	SCREW 7/16 UNC X 2 CS RT G.7 ZN		06	06	06	06
43	0503010180	7/16" SPRING WASHER		06	06	06	06
44	0503011082	C1/2" X 1.3/4" SCREW		03	03	03	03
45	0503010019	1/2" SPRING WASHER		03	03	03	03
46	0503010060	1/2" NUT		03	03	03	03
47	0511057016	PLAY HOSE		01	00	00	00
48	0511057031	PLAY HOSE		00	01	00	00
49	0511057040	PLAY HOSE		00	00	01	00
50	0511057046	PLAY HOSE		00	00	00	01
51	0501053834	MALE QUICK COUPLER		04	04	04	04
51A	0503011627	MALE QUICK COUPLER AGR 1/2 NPT		04	04	04	04
51B	0503011882	MALE QUICK COUPLER CAP		04	04	04	04
52	0521065149	EXTENSION		02	02	04	04

ASSY FRAME



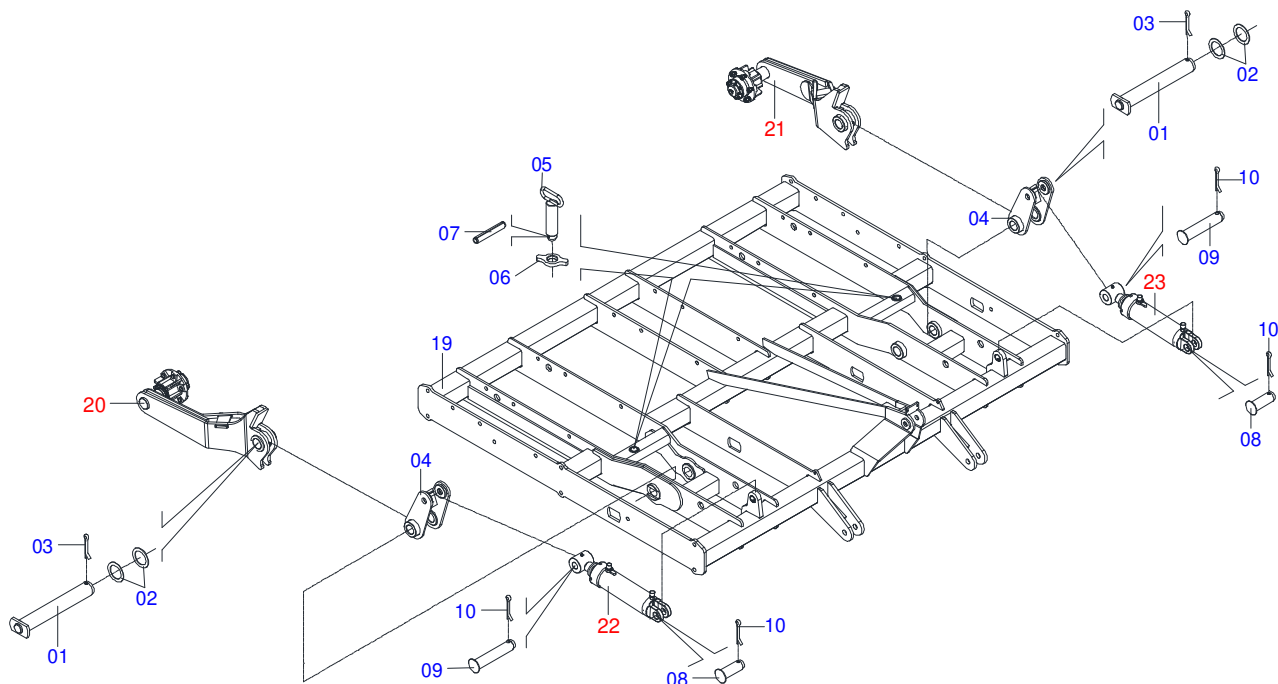
Item	Code	Description	See page	17	19	21	23 H.
01	0511055878	SEMI ASSEMBLED FRAME WITHOUT EXTENSION	7	01	00	00	00
02	0511057052	SEMI ASSEMBLED FRAME WITH EXTENSION	8	00	01	00	00
03	0511057049	SEMI ASSEMBLED FRAME WITH EXTENSION	9	00	00	01	00
04	0511057053	SEMI ASSEMBLED FRAME WITH EXTENSION	10	00	00	00	01
05	0521043174	DRAWBAR ASSY	17	01	01	01	01
06	0571012422	COUPLING SHAFT		04	04	04	04
07	0503010523	1/4" X 2" COTTERPIN		06	06	06	06
08	0501054088	DRAWBAR STABILIZER ASSEMBLY	27	01	01	01	01
09	0521010780	1.2" X 4.5" COUPLING SHAFT		01	01	01	01
10	0521012536	COUPLING SHAFT		01	01	01	01
11	0521045128	CAGE ROLLER ASSEMBLY	30	03	01	02	04
12	0521045129	BREAK ROLLER	31	00	02	00	00
13	0521045127	BREAK ROLLER	29	00	00	02	00
14	0521045085	BREAKER ROLLER ARM ASSY	28	06	06	08	08
15	0521041963	ROD WITH ARM/DISARMENT	20	17	19	21	23
16	0501052885	3/4 UNC X 450 FASTENER ASSY	21	17	19	21	23
17	0521065573	EXTENSION		01	00	00	00
18	0521065572	EXTENSION		00	01	00	00
19	0521065570	EXTENSION		00	00	01	00
20	0521065740	EXTENSION		00	00	01	00
21	0521065739	EXTENSION		00	00	00	01
22	0521065741	EXTENSION		00	00	00	01
23	0503062010	750 X 16-12L ASSY WHEEL AND TIRE		04	04	04	04
23A	0521062708	WHEEL 5,50 X 16 X 118 X 6F 16,50 X 152,40		04	04	04	04
23B	0503010033	7.50 X 16 INNER TIRE		04	04	04	04
23C	0503012864	TYRE		04	04	04	04
23D	0503010471	0.3" X 0.6" PROTECTION		04	04	04	04
24	0521065149	EXTENSION		04	06	06	06
25	0571017219	EXTENSION LOCK		02	02	02	02
26	0503014744	3/4 UNF X 7.1/2 C S G.7 ZN BOLT		100	124	132	140
27	0503010023	3/4" SPRING WASHER		108	148	158	166



ASSY FRAME

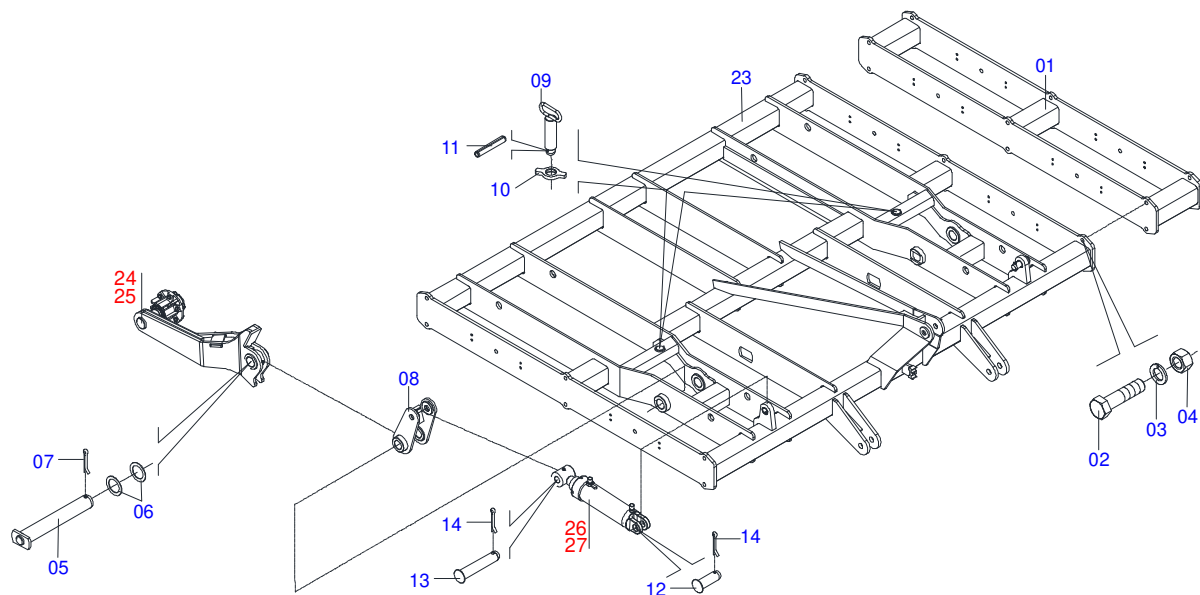
0909092361

Item	Code	Description	See page	17	19	21	23 H.
28	0503010335	3/4"NUT		100	124	132	140
29	0501010125	3/4" X 2-1/2" BOLT		08	24	26	26
30	0503010014	3/4" NUT		08	24	26	26
31	0511015255	FLAT WASHER		08	24	26	26
32	0521045333	BLADE DISC 20	24	17	19	21	23
33	0502012796	BLADE DISC SUPPORT ASSY		17	19	21	23
34	0571011609	FIXER PLATE CUTTING DISC		50	62	66	70
35	0503016184	SPRING PIN		17	19	21	23
36	0511016156	BOLT 5/8 UNC X1.1/2 CS PC G.5 ZN		34	38	42	46
37	0521065068	HOSE FIXER SUPPORT		04	04	04	04
38	0502012702	BODY SUPPORT CLAMP		09	09	09	09
39	0503012555	SCREW 7/16 UNC X 2 CS RT G.7 ZN		09	09	09	09
40	0503010180	7/16" SPRING WASHER		09	09	09	09
41	0503011082	C1/2" X 1.3/4" SCREW		04	04	04	04
42	0503010019	1/2" SPRING WASHER		04	04	04	04
43	0503010060	1/2" NUT		04	04	04	04
44	0511057534	FLOW DIVIDING VALVE		01	01	01	01
45	0503010751	C3/8" X 1.1/4" HEX BOLT G.5		02	02	02	02
46	0503010025	3/8" SPRING WASHER		02	02	02	02
47	0503010026	3/8" NUT		02	02	02	02
48	0511058322	PLAY HOSE		01	00	00	00
49	0511058324	PLAY HOSE		00	01	00	00
50	0511058323	PLAY HOSE		00	00	01	00
51	0511058321	PLAY HOSE		00	00	00	01
52	0503037376	3/4" T ADAPTER WITH SWIVEL NUT		04	04	04	04
53	0501053834	MALE QUICK COUPLER		04	04	04	04
53A	0503011627	MALE QUICK COUPLER AGR 1/2 NPT		04	04	04	04
53B	0503011882	MALE QUICK COUPLER CAP		04	04	04	04

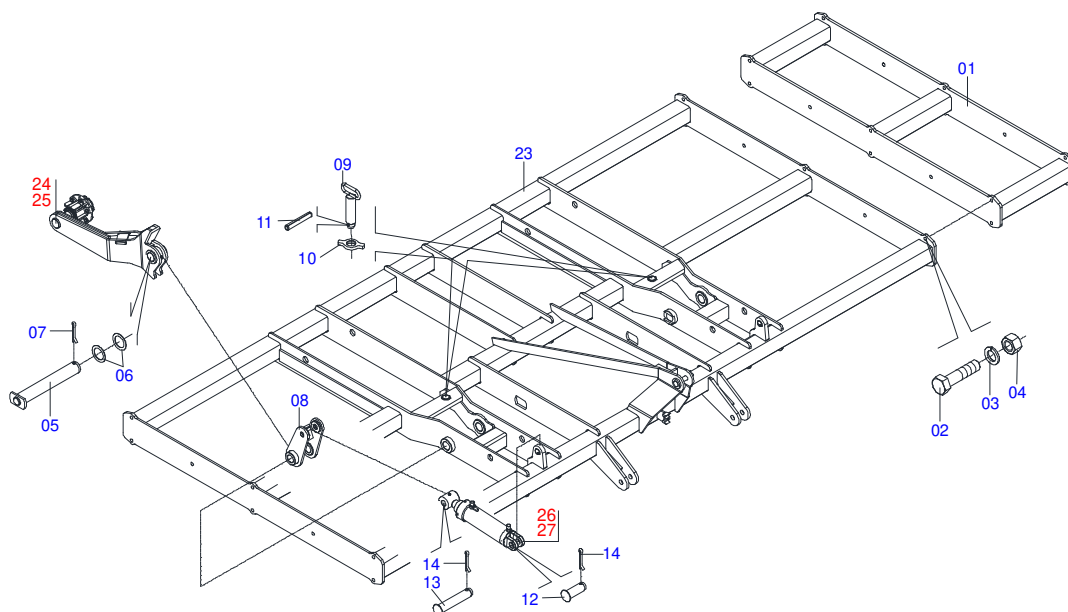


Item	Code	Description	See page	QT
001	0521063252	50,85 X 332 AXLE		02
002	0521015342	WASHER SPACER		04
003	0503010073	3/8 X 3-1/2 COTTERPIN		02
004	0521064087	CARRYING-WHEELS PIVOT		02
005	0521064086	ADJUSTMENT WHEEL		02
006	0541018672	COUNTERNUT		02
007	0503010839	03"X 0.6" SPRING PIN		02
008	0521012538	1.2" X 3.5" COUPLING SHAFT		02
009	0521010547	1.2" X 6.5" COUPLING SHAFT		02
010	0503010523	1/4" X 2" COTTERPIN		04
011	0503034123	ADHESIVE LABEL		02
012	0503034124	ADHESIVE LABEL		02
013	0503031827	LUBRICATE AND RETIGHTEN DAILY DECAL		01
014	0503031428	READ MANUAL DECAL		01
015	0503031803	IMPORTANT ADHESIVE STICKER		01
016	0503031087	ADHESIVE LABEL		01
017	0503034003	SERIAL NUMBER TAG 61 X 118		01
018	0503010001	3.2 X 5.5 RIVET		04
019	0521062470	FRAME 09-15 HASTES EST/MATIC 300		01
020	0511053317	RIGHT WHEEL ASSY	11	01
021	0511053318	LEFT WHEEL ASSY	12	01
022	0521045633	HYDRAULIC CYLINDER 53,98 X 101,60 X 515 X 205	14	01
023	0521045634	HYDRAULIC CYLINDER 44,45 X 85,7 X 515 X 205	13	01

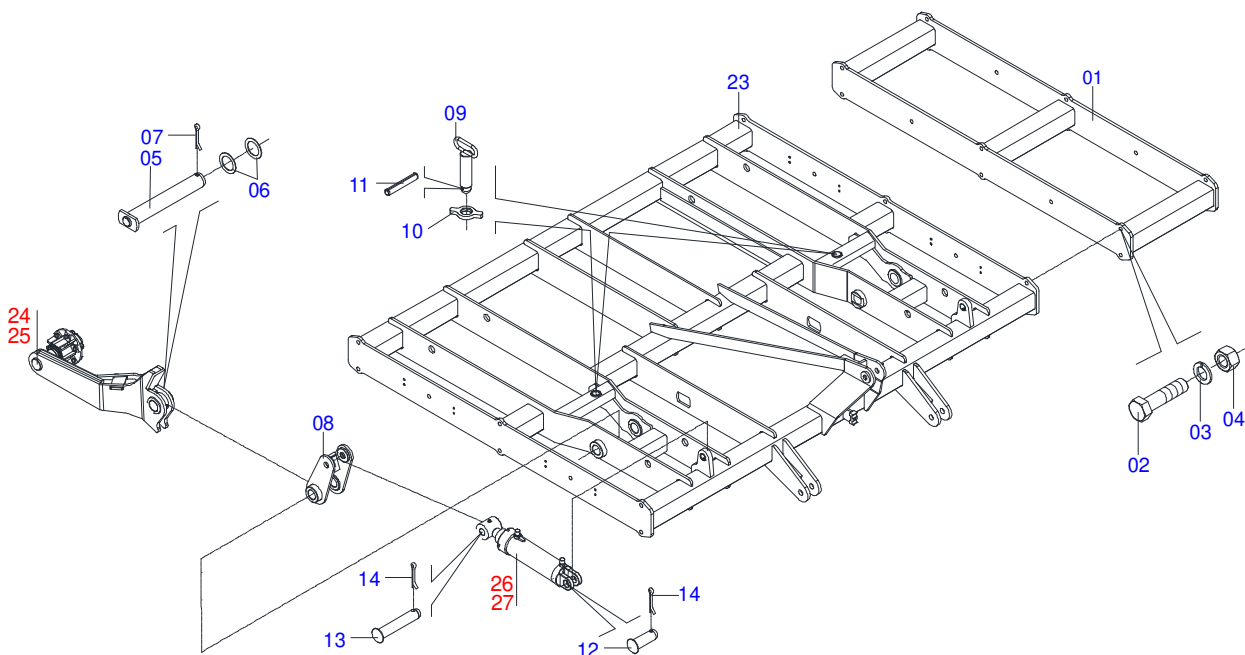




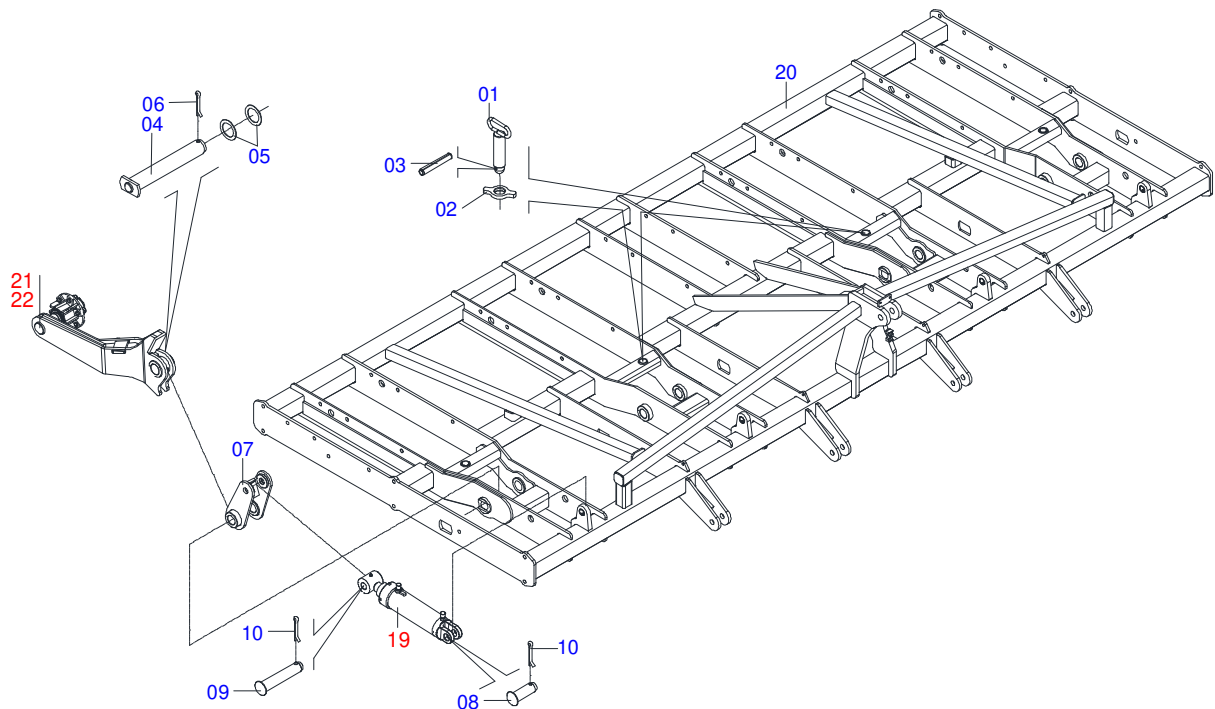
Item	Code	Description	See page	QT
001	0521064117	EXTENSION		02
002	0501010125	3/4" X 2-1/2" BOLT		16
003	0503010023	3/4" SPRING WASHER		16
004	0503010014	3/4" NUT		16
005	0521063252	50,85 X 332 AXLE		02
006	0521015342	WASHER SPACER		04
007	0503010073	3/8 X 3-1/2 COTTERPIN		02
008	0521064087	CARRYING-WHEELS PIVOT		02
009	0521064086	ADJUSTMENT WHEEL		02
010	0541018672	COUNTERNUT		02
011	0503010839	03"X 0.6" SPRING PIN		02
012	0521012538	1.2" X 3.5" COUPLING SHAFT		02
013	0521010547	1.2" X 6.5" COUPLING SHAFT		02
014	0503010523	1/4" X 2" COTTERPIN		04
015	0503034123	ADHESIVE LABEL		02
016	0503034124	ADHESIVE LABEL		02
017	0503031827	LUBRICATE AND RETIGHTEN DAILY DECAL		01
018	0503031428	READ MANUAL DECAL		01
019	0503031803	IMPORTANT ADHESIVE STICKER		01
020	0503031087	ADHESIVE LABEL		01
021	0503034003	SERIAL NUMBER TAG 61 X 118		01
022	0503010001	3.2 X 5.5 RIVET		04
023	0521062470	FRAME 09-15 HASTES EST/MATIC 300		01
024	0511053317	RIGHT WHEEL ASSY	11	01
025	0511053318	LEFT WHEEL ASSY	12	01
026	0521045633	HYDRAULIC CYLINDER 53,98 X 101,60 X 515 X 205	14	01
027	0521045634	HYDRAULIC CYLINDER 44,45 X 85,7 X 515 X 205	13	01



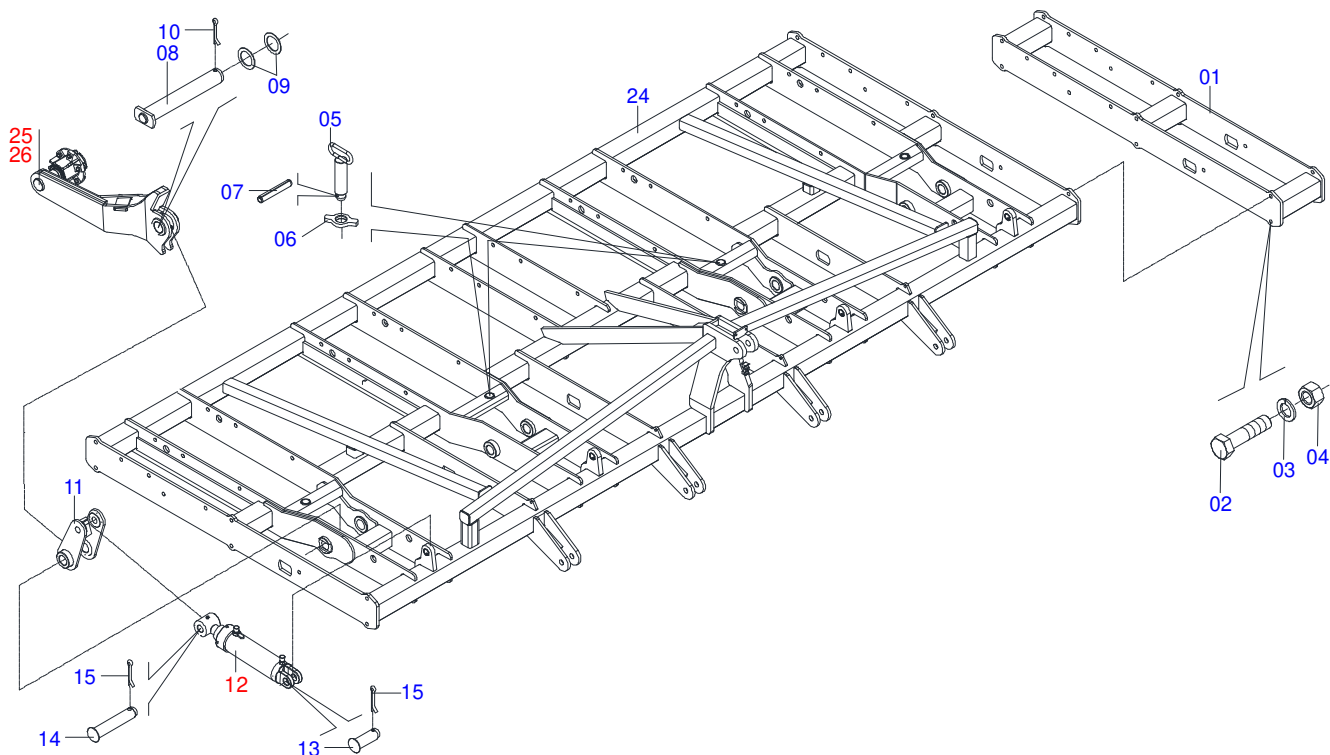
Item	Code	Description	See page	QT
001	0521064120	EXTENSION		02
002	0501010125	3/4" X 2-1/2" BOLT		16
003	0503010023	3/4" SPRING WASHER		16
004	0503010014	3/4" NUT		16
005	0521063252	50,85 X 332 AXLE		02
006	0521015342	WASHER SPACER		04
007	0503010073	3/8 X 3-1/2 COTTERPIN		02
008	0521064087	CARRYING-WHEELS PIVOT		02
009	0521064086	ADJUSTMENT WHEEL		02
010	0541018672	COUNTERNUT		02
011	0503010839	03"X 0.6" SPRING PIN		02
012	0521012538	1.2" X 3.5" COUPLING SHAFT		02
013	0521010547	1.2" X 6.5" COUPLING SHAFT		02
014	0503010523	1/4" X 2" COTTERPIN		04
015	0503034123	ADHESIVE LABEL		02
016	0503034124	ADHESIVE LABEL		02
017	0503031827	LUBRICATE AND RETIGHTEN DAILY DECAL		01
018	0503031428	READ MANUAL DECAL		01
019	0503031803	IMPORTANT ADHESIVE STICKER		01
020	0503031087	ADHESIVE LABEL		01
021	0503034003	SERIAL NUMBER TAG 61 X 118		01
022	0503010001	3.2 X 5.5 RIVET		04
023	0521062470	FRAME 09-15 HASTES EST/MATIC 300		01
024	0511053317	RIGHT WHEEL ASSY	11	01
025	0511053318	LEFT WHEEL ASSY	12	01
026	0521045633	HYDRAULIC CYLINDER 53,98 X 101,60 X 515 X 205	14	01
027	0521045634	HYDRAULIC CYLINDER 44,45 X 85,7 X 515 X 205	13	01



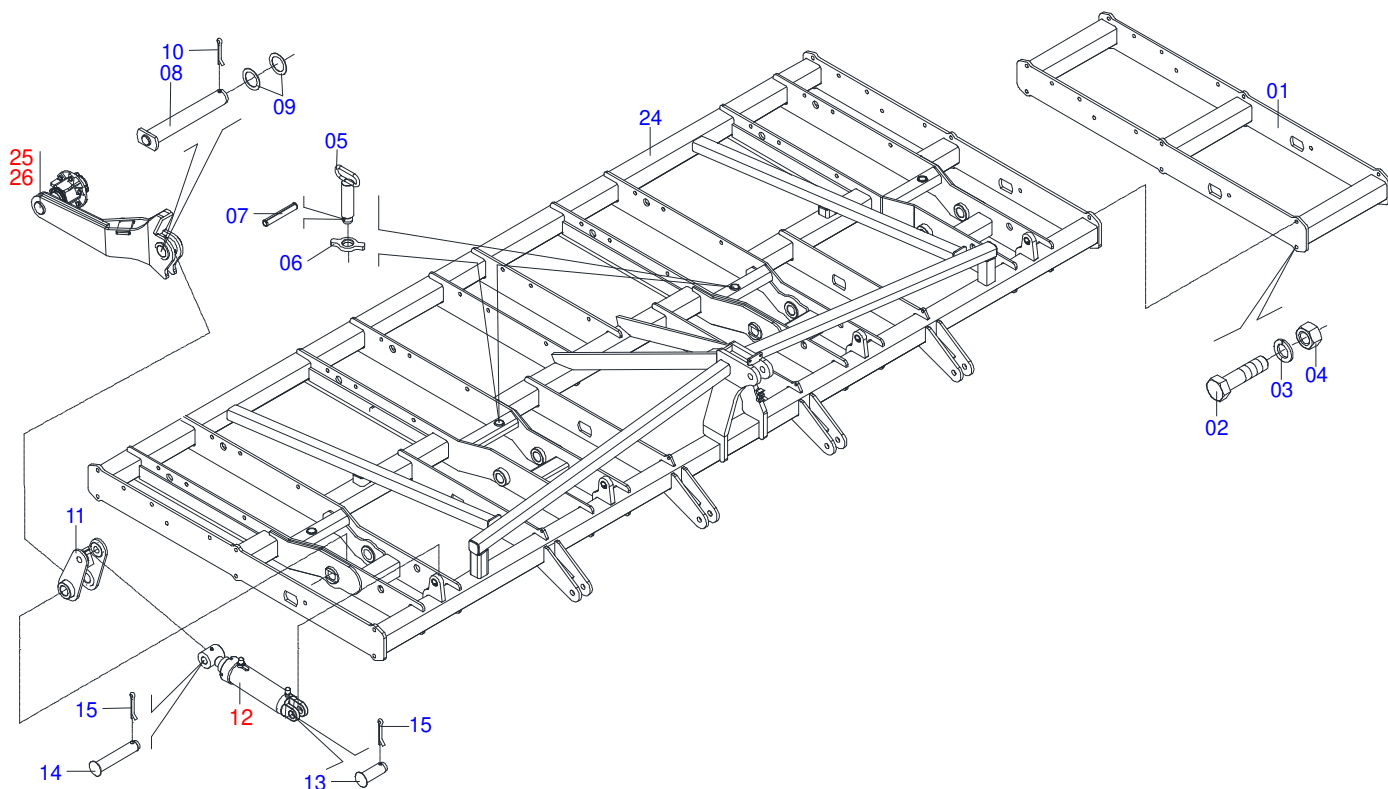
Item	Code	Description	See page	QT
001	0521064135	EXTENSION		02
002	0501010125	3/4" X 2-1/2" BOLT		16
003	0503010023	3/4" SPRING WASHER		16
004	0503010014	3/4" NUT		16
005	0521063252	50,85 X 332 AXLE		02
006	0521015342	WASHER SPACER		04
007	0503010073	3/8 X 3-1/2 COTTERPIN		02
008	0521064087	CARRYING-WHEELS PIVOT		02
009	0521064086	ADJUSTMENT WHEEL		02
010	0541018672	COUNTERNUT		02
011	0503010839	03"X 0.6" SPRING PIN		02
012	0521012538	1.2" X 3.5" COUPLING SHAFT		02
013	0521010547	1.2" X 6.5" COUPLING SHAFT		02
014	0503010523	1/4" X 2" COTTERPIN		04
015	0503034123	ADHESIVE LABEL		02
016	0503034124	ADHESIVE LABEL		02
017	0503031827	LUBRICATE AND RETIGHTEN DAILY DECAL		01
018	0503031428	READ MANUAL DECAL		01
019	0503031803	IMPORTANT ADHESIVE STICKER		01
020	0503031087	ADHESIVE LABEL		01
021	0503034003	SERIAL NUMBER TAG 61 X 118		01
022	0503010001	3.2 X 5.5 RIVET		04
023	0521062470	FRAME 09-15 HASTES EST/MATIC 300		01
024	0511053317	RIGHT WHEEL ASSY	11	01
025	0511053318	LEFT WHEEL ASSY	12	01
026	0521045633	HYDRAULIC CYLINDER 53,98 X 101,60 X 515 X 205	14	01
027	0521045634	HYDRAULIC CYLINDER 44,45 X 85,7 X 515 X 205	13	01



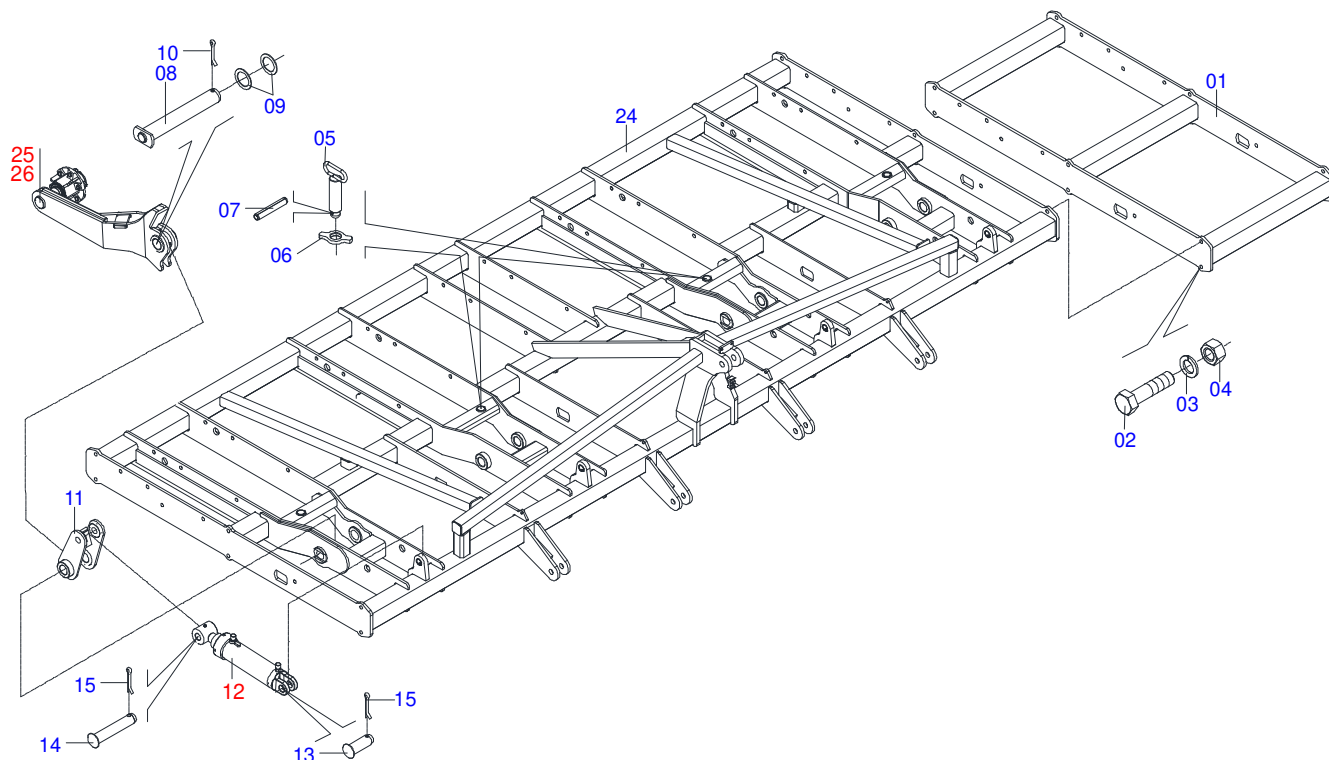
Item	Code	Description	See page	QT
001	0521064086	ADJUSTMENT WHEEL		04
002	0541018672	COUNTERNUT		04
003	0503010839	03"X 0.6" SPRING PIN		04
004	0521063252	50,85 X 332 AXLE		04
005	0521015342	WASHER SPACER		08
006	0503010073	3/8 X 3-1/2 COTTERPIN		04
007	0521064087	CARRYING-WHEELS PIVOT		04
008	0521012538	1.2" X 3.5" COUPLING SHAFT		04
009	0521010547	1.2" X 6.5" COUPLING SHAFT		04
010	0503010523	1/4" X 2" COTTERPIN		08
011	0503034123	ADHESIVE LABEL		02
012	0503034124	ADHESIVE LABEL		02
013	0503031827	LUBRICATE AND RETIGHTEN DAILY DECAL		01
014	0503031428	READ MANUAL DECAL		01
015	0503031803	IMPORTANT ADHESIVE STICKER		01
016	0503031087	ADHESIVE LABEL		01
017	0503034003	SERIAL NUMBER TAG 61 X 118		01
018	0503010001	3.2 X 5.5 RIVET		04
019	0521045737	HYDRAULIC CILINDER 44,45 X 85,72 X 515 X 205	15	04
020	0521064360	17 Á 21 RODS EST/MATIC 300 FRAME		01
021	0511053317	RIGHT WHEEL ASSY	11	02
022	0511053318	LEFT WHEEL ASSY	12	02



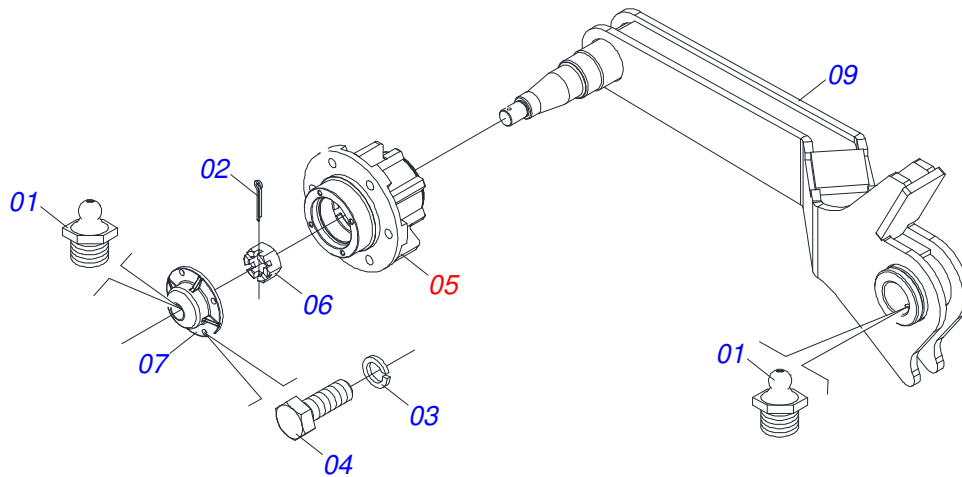
Item	Code	Description	See page	QT
001	0521064117	EXTENSION		02
002	0501010125	3/4" X 2-1/2" BOLT		16
003	0503010023	3/4" SPRING WASHER		16
004	0503010014	3/4" NUT		16
005	0521064086	ADJUSTMENT WHEEL		04
006	0541018672	COUNTERNUT		04
007	0503010839	03"X 0.6" SPRING PIN		04
008	0521063252	50,85 X 332 AXLE		04
009	0521015342	WASHER SPACER		08
010	0503010073	3/8 X 3-1/2 COTTERPIN		04
011	0521064087	CARRYING-WHEELS PIVOT		04
012	0521045737	HYDRAULIC CILINDER 44,45 X 85,72 X 515 X 205	15	04
013	0521012538	1.2" X 3.5" COUPLING SHAFT		04
014	0521010547	1.2" X 6.5" COUPLING SHAFT		04
015	0503010523	1/4" X 2" COTTERPIN		08
016	0503034123	ADHESIVE LABEL		02
017	0503034124	ADHESIVE LABEL		02
018	0503031827	LUBRICATE AND RETIGHTEN DAILY DECAL		01
019	0503031428	READ MANUAL DECAL		01
020	0503031803	IMPORTANT ADHESIVE STICKER		01
021	0503031087	ADHESIVE LABEL		01
022	0503034003	SERIAL NUMBER TAG 61 X 118		01
023	0503010001	3.2 X 5.5 RIVET		04
024	0521064360	17 Á 21 RODS EST/MATIC 300 FRAME		01
025	0511053317	RIGHT WHEEL ASSY	11	02
026	0511053318	LEFT WHEEL ASSY	12	02



Item	Code	Description	See page	QT
001	0521064120	EXTENSION		02
002	0501010125	3/4" X 2-1/2" BOLT		16
003	0503010023	3/4" SPRING WASHER		16
004	0503010014	3/4" NUT		16
005	0521064086	ADJUSTMENT WHEEL		04
006	0541018672	COUNTERNUT		04
007	0503010839	03"X 0.6" SPRING PIN		04
008	0521063252	50,85 X 332 AXLE		04
009	0521015342	WASHER SPACER		08
010	0503010073	3/8 X 3-1/2 COTTERPIN		04
011	0521064087	CARRYING-WHEELS PIVOT		04
012	0521045737	HYDRAULIC CILINDER 44,45 X 85,72 X 515 X 205	15	04
013	0521012538	1.2" X 3.5" COUPLING SHAFT		04
014	0521010547	1.2" X 6.5" COUPLING SHAFT		04
015	0503010523	1/4" X 2" COTTERPIN		08
016	0503034123	ADHESIVE LABEL		02
017	0503034124	ADHESIVE LABEL		02
018	0503031827	LUBRICATE AND RETIGHTEN DAILY DECAL		01
019	0503031428	READ MANUAL DECAL		01
020	0503031803	IMPORTANT ADHESIVE STICKER		01
021	0503031087	ADHESIVE LABEL		01
022	0503034003	SERIAL NUMBER TAG 61 X 118		01
023	0503010001	3.2 X 5.5 RIVET		04
024	0521064360	17 Å 21 RODS EST/MATIC 300 FRAME		01
025	0511053317	RIGHT WHEEL ASSY	11	02
026	0511053318	LEFT WHEEL ASSY	12	02

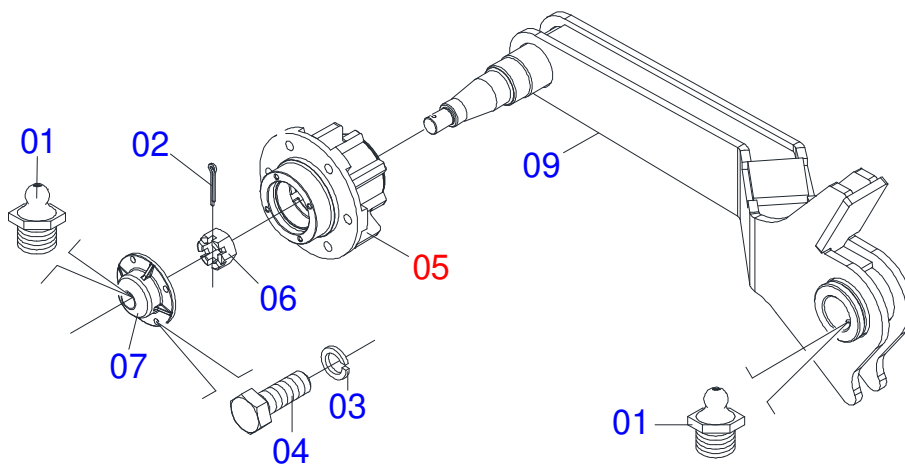


Item	Code	Description	See page	QT
001	0521064135	EXTENSION		02
002	0501010125	3/4" X 2-1/2" BOLT		16
003	0503010023	3/4" SPRING WASHER		16
004	0503010014	3/4" NUT		16
005	0521064086	ADJUSTMENT WHEEL		04
006	0541018672	COUNTERNUT		04
007	0503010839	03"X 0.6" SPRING PIN		04
008	0521063252	50,85 X 332 AXLE		04
009	0521015342	WASHER SPACER		08
010	0503010073	3/8 X 3-1/2 COTTERPIN		04
011	0521064087	CARRYING-WHEELS PIVOT		04
012	0521045737	HYDRAULIC CILINDER 44,45 X 85,72 X 515 X 205	15	04
013	0521012538	1.2" X 3.5" COUPLING SHAFT		04
014	0521010547	1.2" X 6.5" COUPLING SHAFT		04
015	0503010523	1/4" X 2" COTTERPIN		08
016	0503034123	ADHESIVE LABEL		02
017	0503034124	ADHESIVE LABEL		02
018	0503031827	LUBRICATE AND RETIGHTEN DAILY DECAL		01
019	0503031428	READ MANUAL DECAL		01
020	0503031803	IMPORTANT ADHESIVE STICKER		01
021	0503031087	ADHESIVE LABEL		01
022	0503034003	SERIAL NUMBER TAG 61 X 118		01
023	0503010001	3.2 X 5.5 RIVET		04
024	0521064360	17 Á 21 RODS EST/MATIC 300 FRAME		01
025	0511053317	RIGHT WHEEL ASSY	11	02
026	0511053318	LEFT WHEEL ASSY	12	02

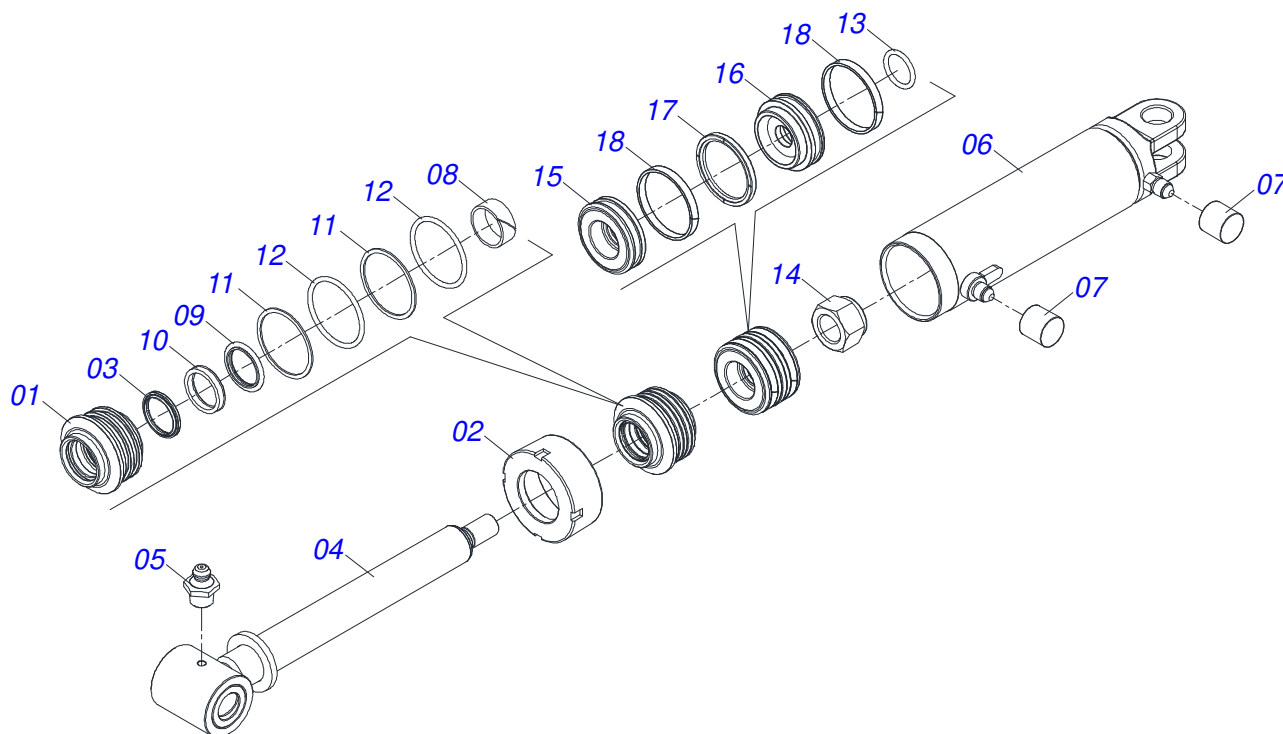


Item	Code	Description	See page	QT
001	0503010002	1800 GREASE FITTING		02
002	0503010018	5/32 X 1-1/2 COTTERPIN		01
003	0503011444	SPRING WASHER		04
004	0503010358	5/16" X 5/8" BOLT		04
005	0501051142	CARRYING WHEEL HUB		01
006	0503030009	1" CASTLE NUT		01
007	0502020591	PROTECCION COVER		01
008	0501016545	FLAT WASHER		01
009	0521064084	WHEELS RIGHT EST/MATIC 300		01

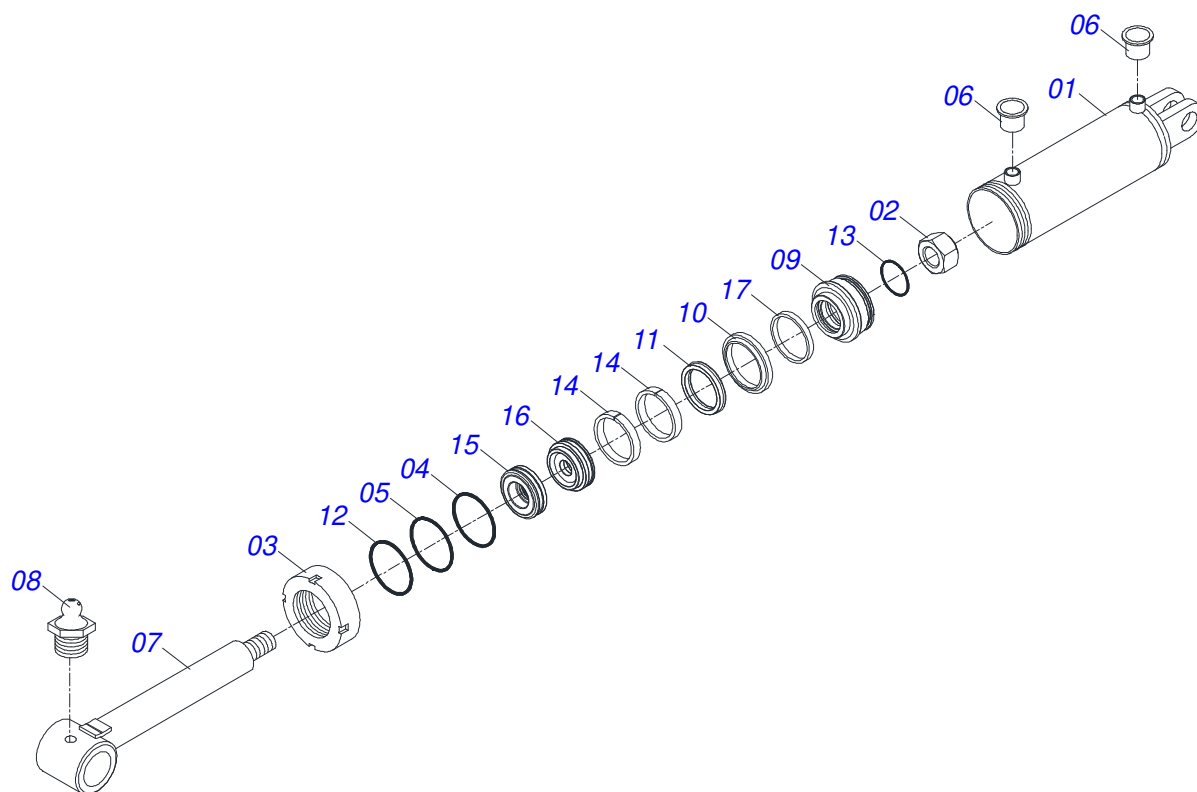




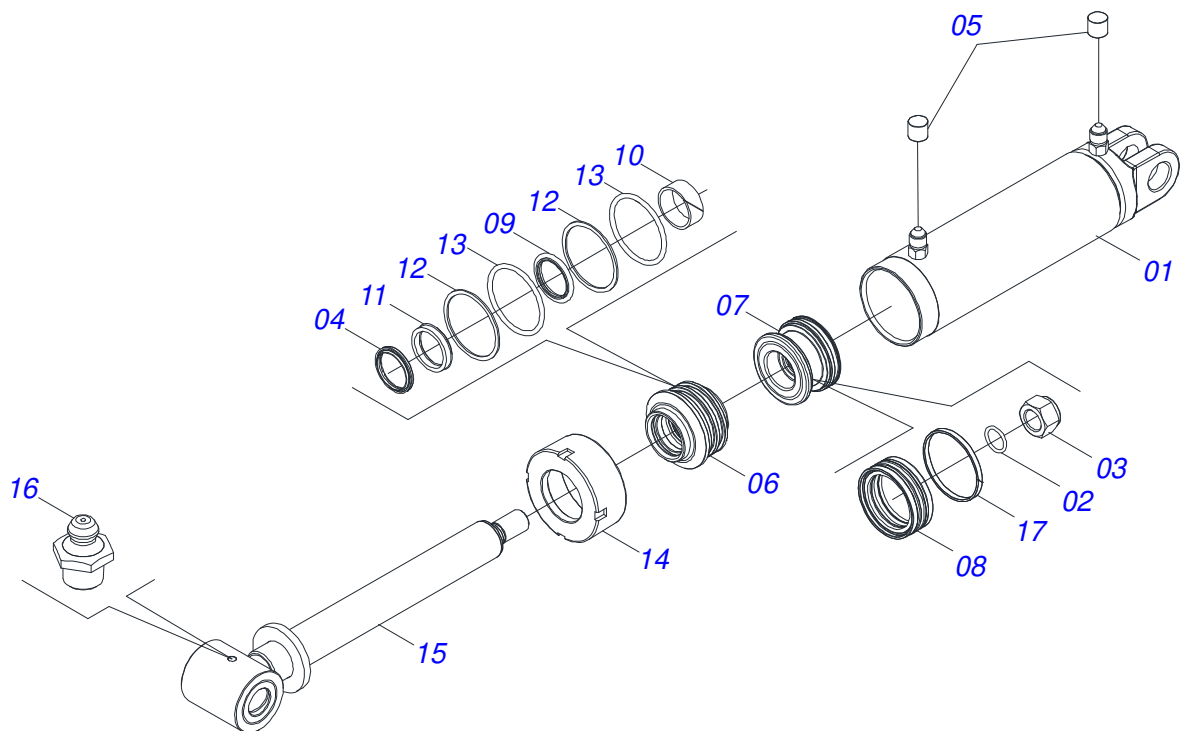
Item	Code	Description	See page	QT
001	0503010002	1800 GREASE FITTING		02
002	0503010018	5/32 X 1-1/2 COTTERPIN		01
003	0503011444	SPRING WASHER		04
004	0503010358	5/16" X 5/8" BOLT		04
005	0501051142	CARRYING WHEEL HUB		01
006	0503030009	1" CASTLE NUT		01
007	0502020591	PROTECCION COVER		01
008	0501016545	FLAT WASHER		01
009	0521064085	CARRYNG-WHEELS LEFT EST/MATIC 300		01



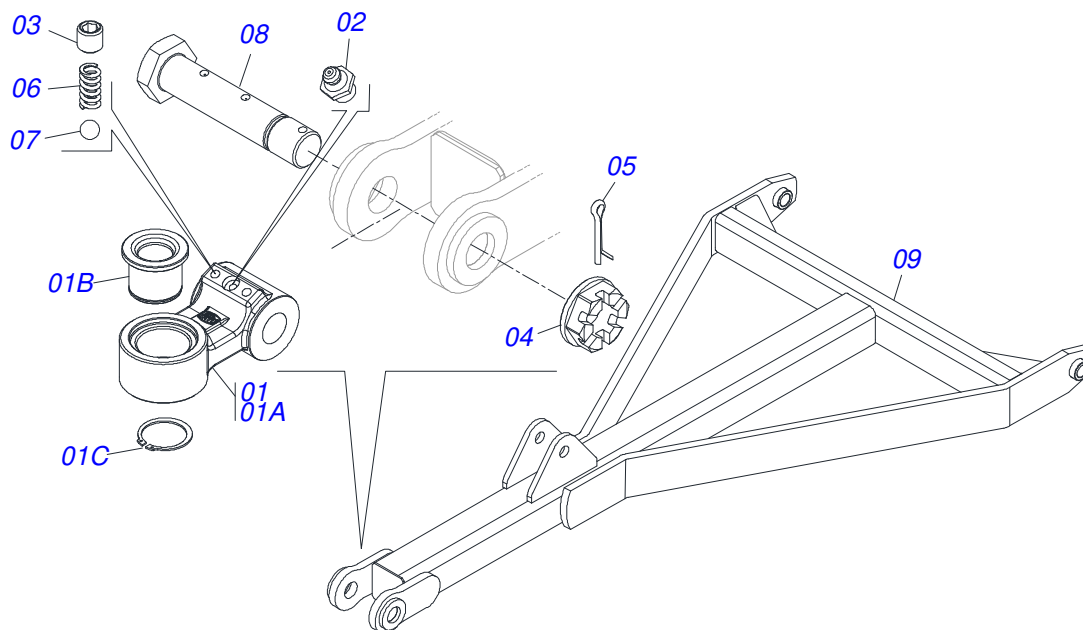
Item	Code	Description	See page	QT
01	0571019711	RING SUPPORT		01
02	0571019709	DETACHABLE COVER		01
03	0503010761	D-1750 SCRAPER RING		01
04	0521063254	44,45 X 450 TURNBUCKLE		01
05	0503010002	1800 GREASE FITTING		01
06	0521066592	CYLINDER CASE		01
07	0503030385	CYLINDER PLUG N-002		02
08	0503017938	RING GUIDE		01
09	0503017936	RING		01
10	0503017937	GASKET		01
11	0503017940	8-337 BACK-UP RING		02
12	0503017939	2-337 N 3006-9B O' RING		02
13	0503010042	2-214 N 3006-9B O'RING		01
14	0503010063	1" SELF-ALIGNING NUT		01
15	0581012598	PISTON		01
16	0581012597	PISTON		01
17	0503018650	SEALING		01
18	0503017883	RING GUIDE		02
19	0511032805	CYLINDER REPAIR KIT 44,45 X 85,7		01



Item	Code	Description	See page	QT
01	0521066149	CYLINDER CASE		01
02	0503010817	1.1/4" SELF LOCKING NUT		01
03	0502010017	4" HEAD		01
04	0503010338	2-342 N 3006-9B O'RING		01
05	0503011061	8-342 BACK-UP RING		01
06	0503030385	CYLINDER PLUG N-002		02
07	0521062882	53,98 X 448 TURNBUCKLE		01
08	0503010002	1800 GREASE FITTING		01
09	0502011250	RING OF SUPPORT		01
10	0503015715	SCRAPER SEALING		01
11	0503015642	U-CUP SEALING		02
12	0503010973	W2-2500-500 PK O'RING G.E		01
13	0503010345	2-218 N 3006-9B O'RING		01
14	0503017889	RING GUIDE		02
15	0581012601	PISTON		01
16	0581012602	PISTON		01
17	0503018651	SEALING		01
18	0511032517	CYLINDER REPAIR KIT 53,98 X 101,6		01

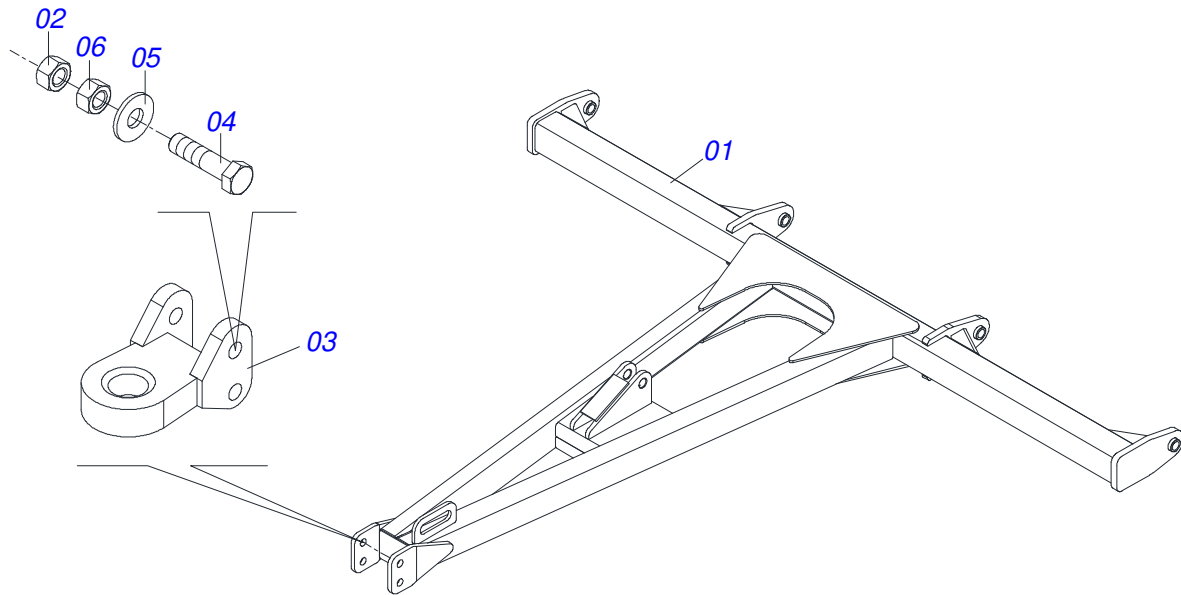


Item	Code	Description	See page	QT
01	0511061588	3.4" X 16" CYLINDER CASE		01
02	0503010042	2-214 N 3006-9B O'RING		01
03	0503010063	1" SELF-ALIGNING NUT		01
04	0503010761	D-1750 SCRAPER RING		01
05	0503030385	CYLINDER PLUG N-002		02
06	0571019711	RING SUPPORT		01
07	0571019710	1.7" X 3.4" PISTON		01
08	0503017935	RING		01
09	0503017936	RING		01
10	0503017938	RING GUIDE		01
11	0503017937	GASKET		01
12	0503017940	8-337 BACK-UP RING		02
13	0503017939	2-337 N 3006-9B O' RING		02
14	0571019709	DETACHABLE COVER		01
15	0521066243	TURNBUCKLE		01
16	0503010002	1800 GREASE FITTING		01
17	0503018144	RING		01
18	0511034218	CYLINDER REPAIR KIT 44,45 X 85,72		01

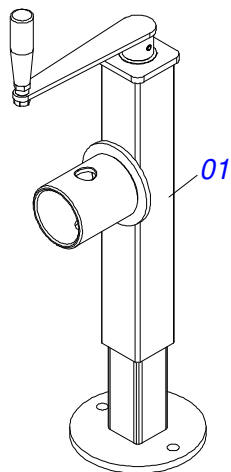


Item	Code	Description	See page	QT
01	0511055614	HITCH		01
01A	0502040853	HITCH JOINT		01
01B	0571014769	SLEEVE HITCH ARTICULATION 1.1/2		01
01C	0503010396	501060 CLAMPING RING (FOR AXLE)		01
02	0503010002	1800 GREASE FITTING		01
03	0503016482	BOLT		02
04	0501011301	1.1/2 UNC 6FPP 2.5/16 NUT		01
05	0503010010	1/4" X 2.1/2" COTTERPIN		01
06	0503033731	COMPRESSION SPRING LEFT		02
07	0503011331	3/8 BALL		02
08	0571016503	FIXER BOLT		01
09	0521065003	HEADER S/ HITCH		01

DRAWBAR ASSY

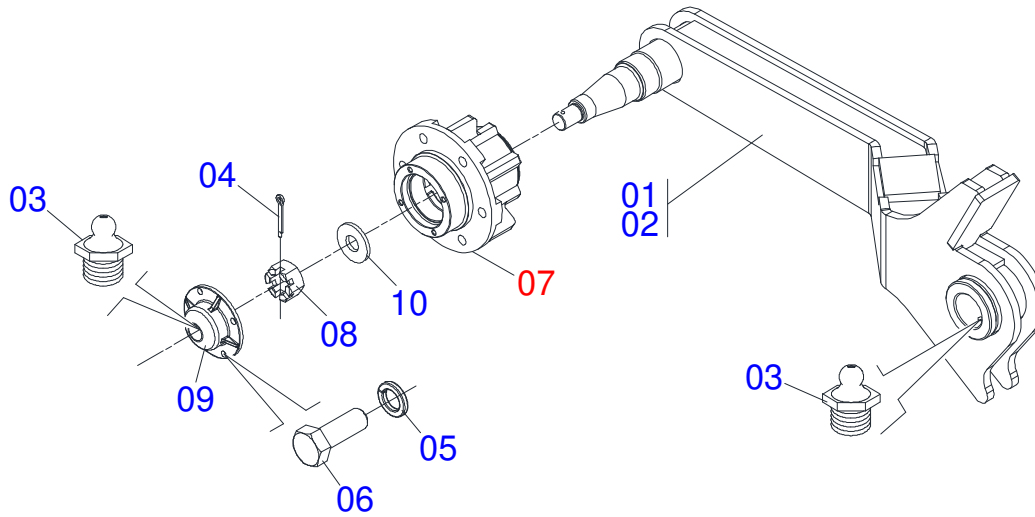


Item	Code	Description	See page	QT
01	0521064359	DRAWBAR		01
02	0501010059	1.5/8 NUT		02
03	0511068234	TRACTOR HITCH		01
04	0501010064	1" X 9" BOLT		02
05	0521013252	FLAT WASHER		02
06	0503013635	1" NUT		02



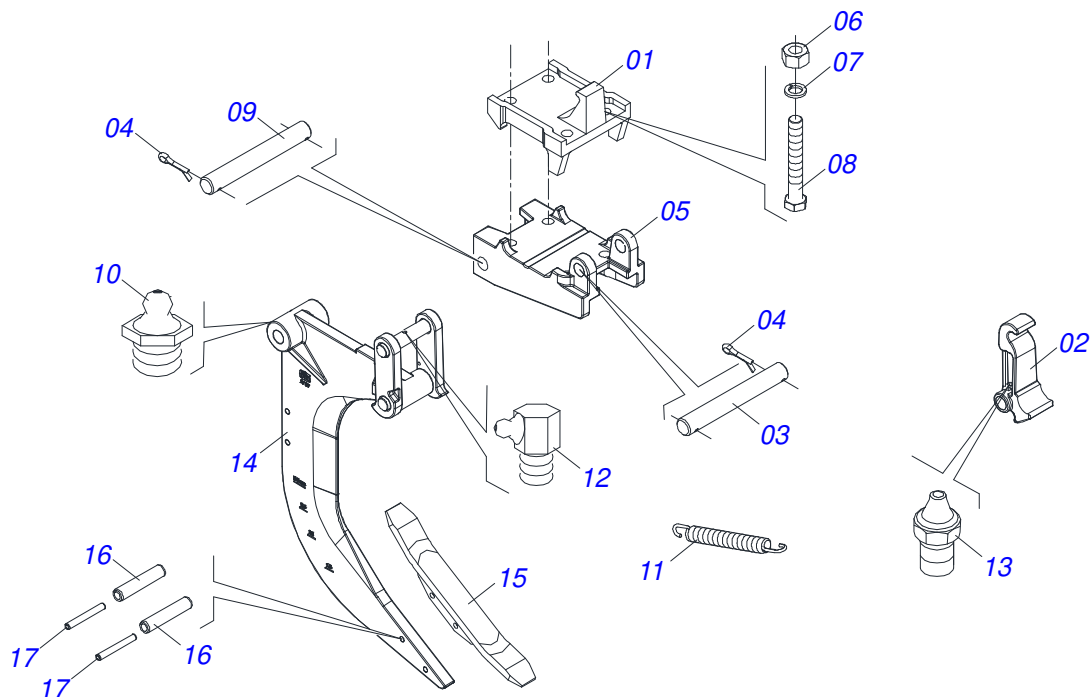
Item	Code	Description	See page	QT
01	0503062227	DRAWBAR JACK		01

WHEEL ASSY

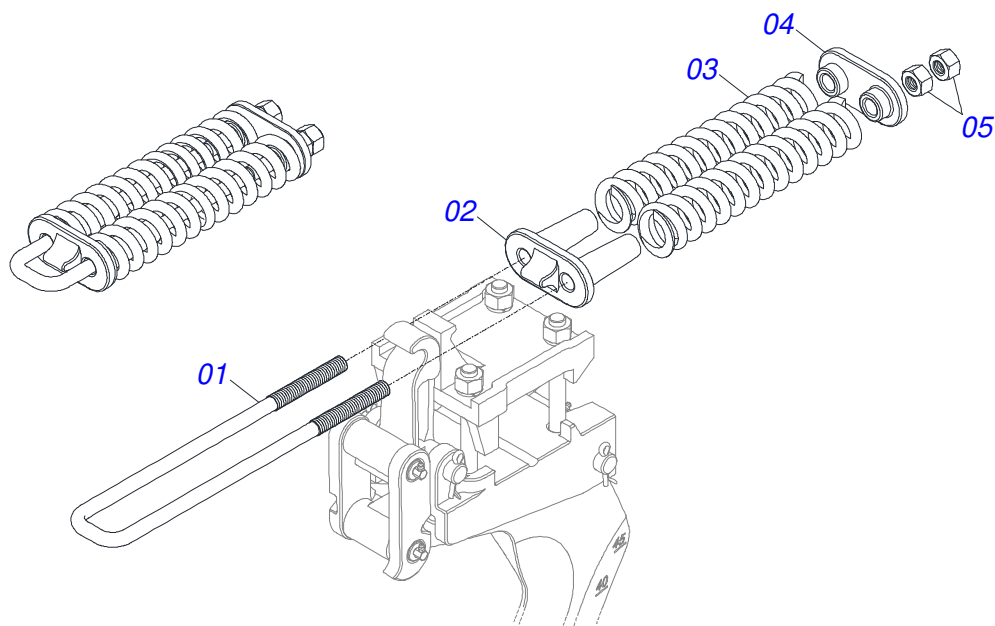


Item	Code	Description	See page	QT
01	0511053317	RIGHT WHEEL ASSY	11	01
02	0511053318	LEFT WHEEL ASSY	12	00
03	0503010002	1800 GREASE FITTING		02
04	0503010018	5/32 X 1-1/2 COTTERPIN		01
05	0503011444	SPRING WASHER		04
06	0503010358	5/16" X 5/8" BOLT		04
07	0501051142	CARRYING WHEEL HUB		01
08	0503030009	1" CASTLE NUT		01
09	0502020591	PROTECCION COVER		01
10	0501016545	FLAT WASHER		01

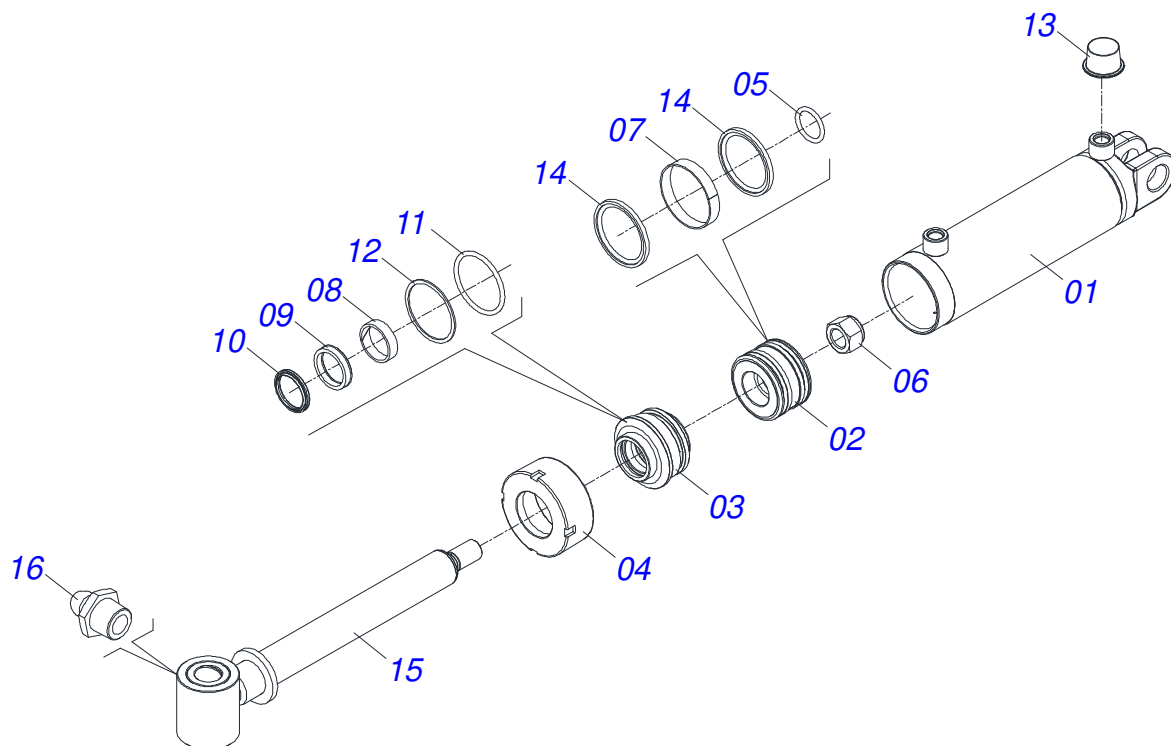




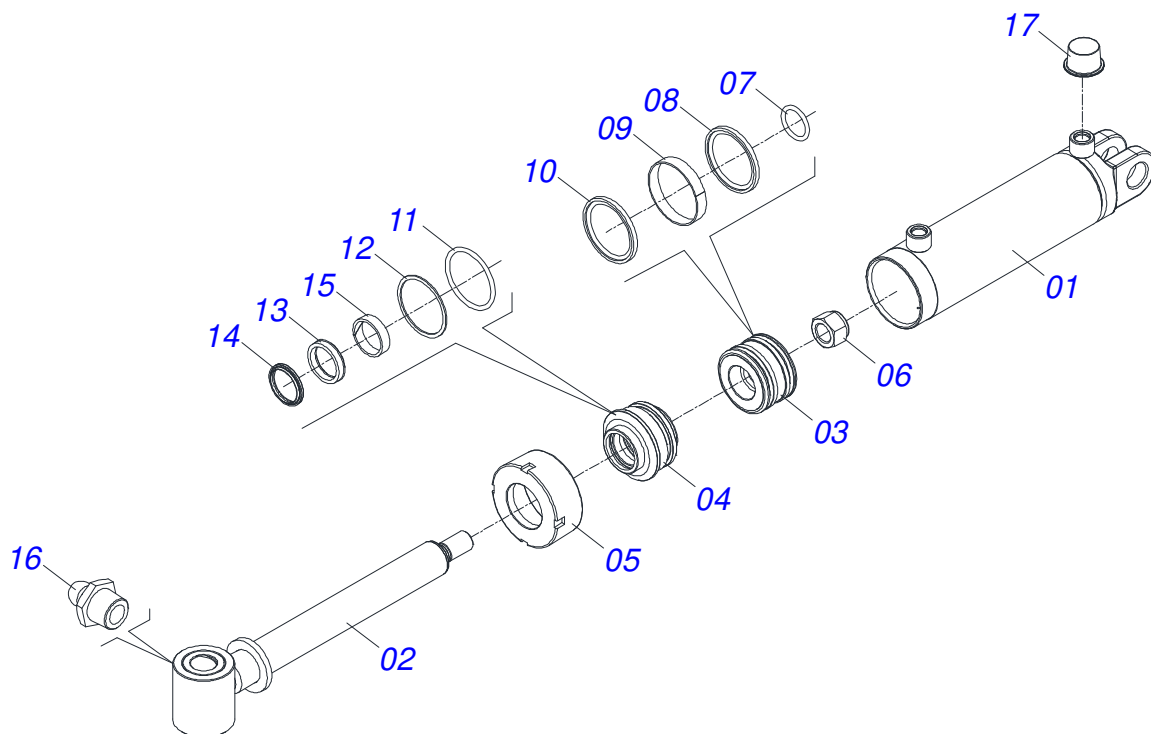
Item	Code	Description	See page	QT
001	0502011861	FIXER BASE UPPER		01
002	0502011864	AST/MATIC 450 RESET		01
003	0521017724	1" X 6.2" COUPLING SHAFT		01
004	0503010571	1/4" X 1.1/2" COTTERPIN		04
005	0502011863	LOWER BASE FIXER		01
006	0503010014	3/4" NUT		04
007	0503011442	3/4" SPRING WASHER		04
008	0503012729	3/4" X 6-3/4" BOLT		04
009	0521017725	1" X 7.4" COUPLING SHAFT		01
010	0503010002	1800 GREASE FITTING		01
011	0503031574	6.9" X 0.8" X 0.1" EXTENSION SPRING		01
012	0503010004	1890 GREASE FITTING		02
013	0503010691	1/4" GREASE FITTING		01
014	0521063902	ROD BODY DISASSEMBLE		01
015	0521063903	POINT 16 X 2 X 5/8		01
016	0503011265	10MM X 50MM SPRING PIN		02
017	0503010775	SPRING PIN		02



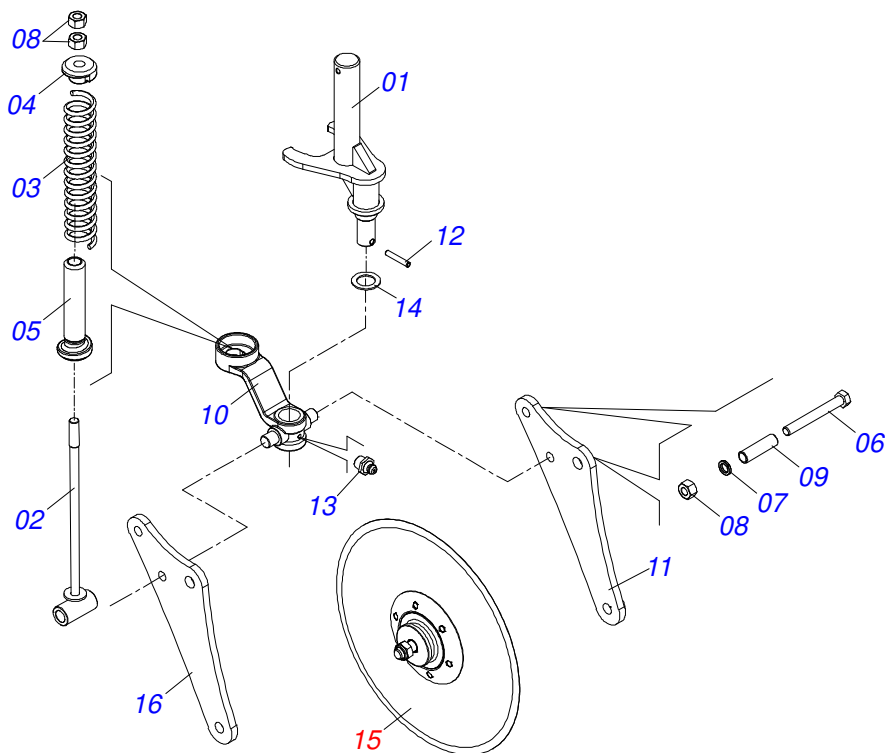
Item	Code	Description	See page	QT
01	0521015426	3/4" X 18" FASTENER		01
02	0502011860	SPRING LOWER SUPPORT		01
03	0503031575	2.5"X 12" X 0.5" COMPRESSION SPRING		02
04	0502011866	SPRING UPPER SUPPORT		01
05	0503010014	3/4" NUT		04



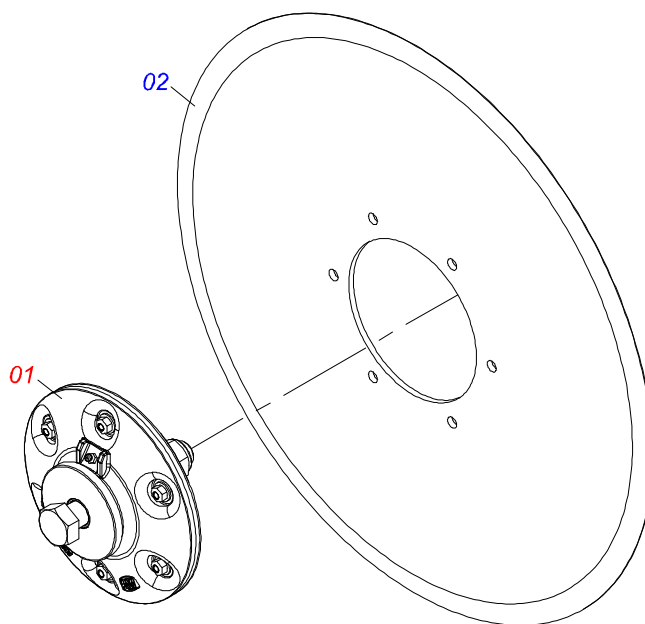
Item	Code	Description	See page	QT
01	0511068372	85,72 X 203 CYLINDER CASE		01
02	0502011847	1.7" X 3.4" PISTON		01
03	0502010781	RING SUPPORT		01
04	0502010993	DETACHABLE COVER		01
05	0503010042	2-214 N 3006-9B O'RING		01
06	0503010063	1" SELF-ALIGNING NUT		01
07	0503010948	W4-3346-590 PK RING G.E		01
08	0503010949	W2-2000-500 PK RING G.E		01
09	0503010990	GASKET		01
10	0503010761	D-1750 SCRAPER RING		01
11	0503010976	2-336 N 3006-9B O'RING		01
12	0503011060	8-336 BACK-UP RING		01
13	0503030384	CON PLUG N-001		02
14	0503012509	GASKET		02
15	0521063254	44,45 X 450 TURNBUCKLE		01
16	0503010002	1800 GREASE FITTING		01
17	0501035169	CYLINDER REPAIR KIT 44,45 X 85,72		01



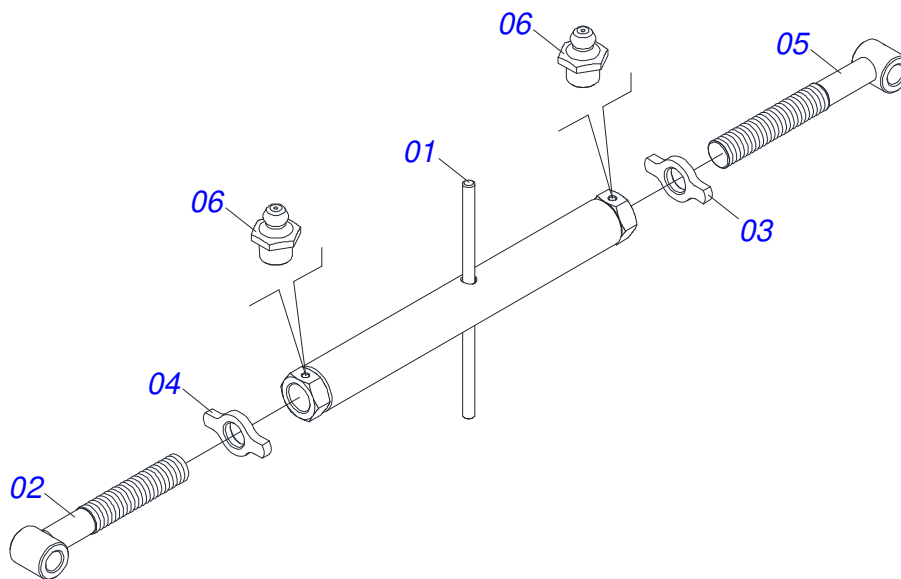
Item	Code	Description	See page	QT
01	0511068373	101,6 X 203 CYLINDER CASE		01
02	0521062882	53,98 X 448 TURNBUCKLE		01
03	0502011249	PISTON		01
04	0502011250	RING OF SUPPORT		01
05	0502010017	4" HEAD		01
06	0503010817	1.1/4" SELF LOCKING NUT		01
07	0503010345	2-218 N 3006-9B O'RING		01
08	0503012725	GASKET		01
09	0503010994	W2-4000-500 PK RING G.E		01
10	0503010043	PACKING 3750-3250		01
11	0503010338	2-342 N 3006-9B O'RING		01
12	0503011061	8-342 BACK-UP RING		01
13	0503010319	D-2125 SCRAPER		01
14	0503010314	GASKET		01
15	0503010973	W2-2500-500 PK O'RING G.E		01
16	0503010002	1800 GREASE FITTING		01
17	0503030384	CON PLUG N-001		02
18	0511031218	CYLINDER REPAIR KIT 53,98 X 101,6		01



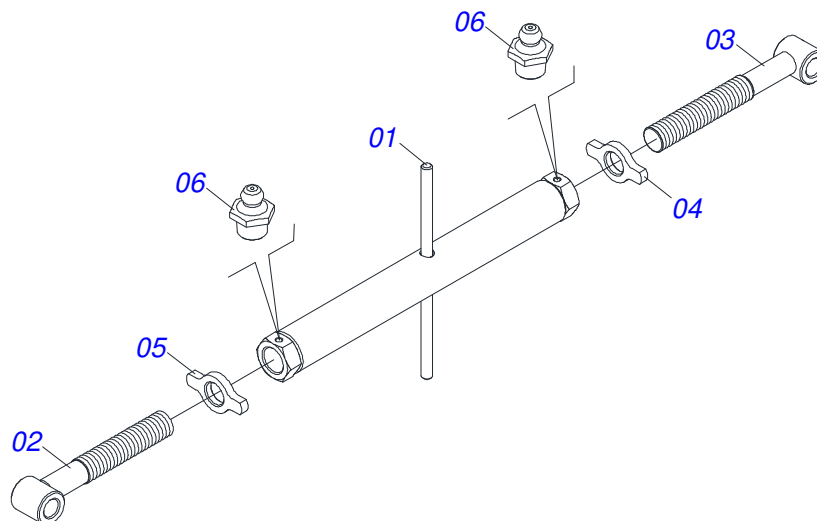
Item	Code	Description	See page	QT
01	0521065732	BLADE DISC AXLE ASSY		01
02	0511060915	ROD SPRING		01
03	0503031679	COMPRES SPRING		01
04	1902020393	SPRING UPPER SUPPORT		01
05	0511061576	SPRING GUIDE		01
06	0503011198	C3/4" X 6" SCREW		02
07	0503011442	3/4" SPRING WASHER		02
08	0503010014	3/4" NUT		04
09	0521010452	SLEEVE		02
10	0502012817	DISC BLADE SUPPORT		01
11	0571018178	DISC BLADE ARM		01
12	0503010361	SPRING PIN		01
13	0503010002	1800 GREASE FITTING		01
14	0541018684	FLAT WASHER		01
15	0511058648	HUB WITH 20" DISC BLADE	25	01
16	0521065733	DISC BLADE ARM		01



Item	Code	Description	See page	QT
01	0511056909	DISC BOX CUT WITHOUT DISC		01
02	0603027851	20" X 0.2" FLAT PLAIN DISC		01



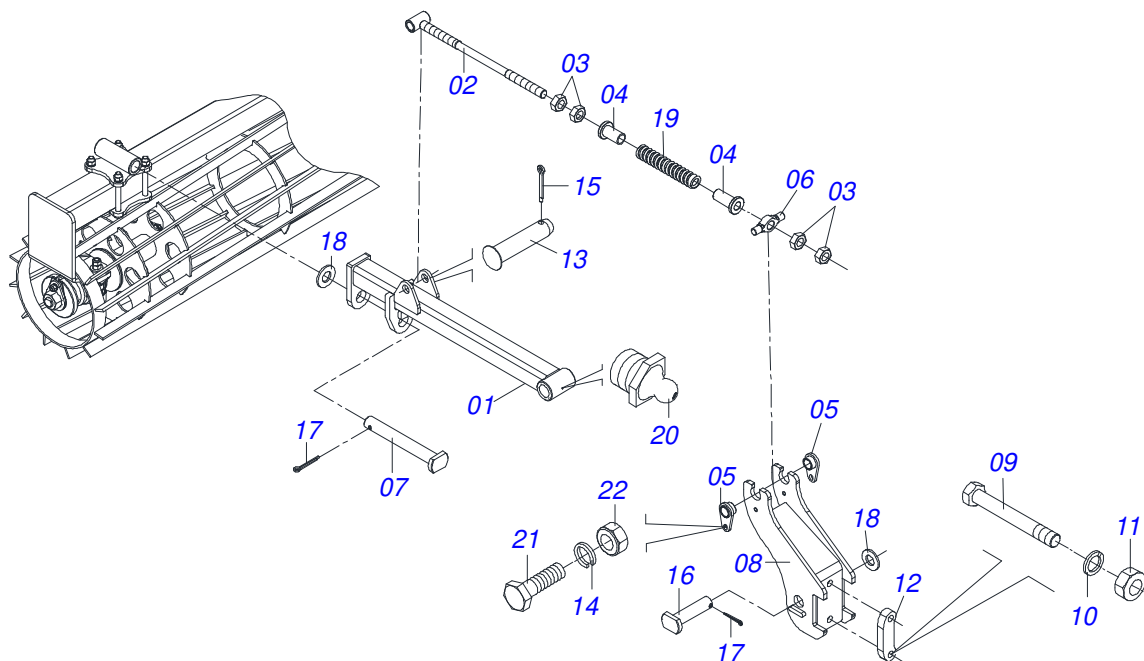
Item	Code	Description	See page	QT
01	0501068095	850 ADJUSTMENT NUT		01
02	0501068096	RIGTH TURNBUCKLE		01
03	0541018673	COUNTERNUT		01
04	0541018672	COUNTERNUT		01
05	0501068097	LEFT TURNBUCKLE		01
06	0503010002	1800 GREASE FITTING		02



Item	Code	Description	See page	QT
01	0511063786	EXTENDER 950		01
02	0511063787	RIGHT EXTENDER SPINDLE R1.1/2 X 432		01
03	0511063788	LEFT EXTENDER SPINDLE R1.1/2 X 432		01
04	0541018672	COUNTERNUT		01
05	0541018673	COUNTERNUT		01
06	0503010002	1800 GREASE FITTING		02

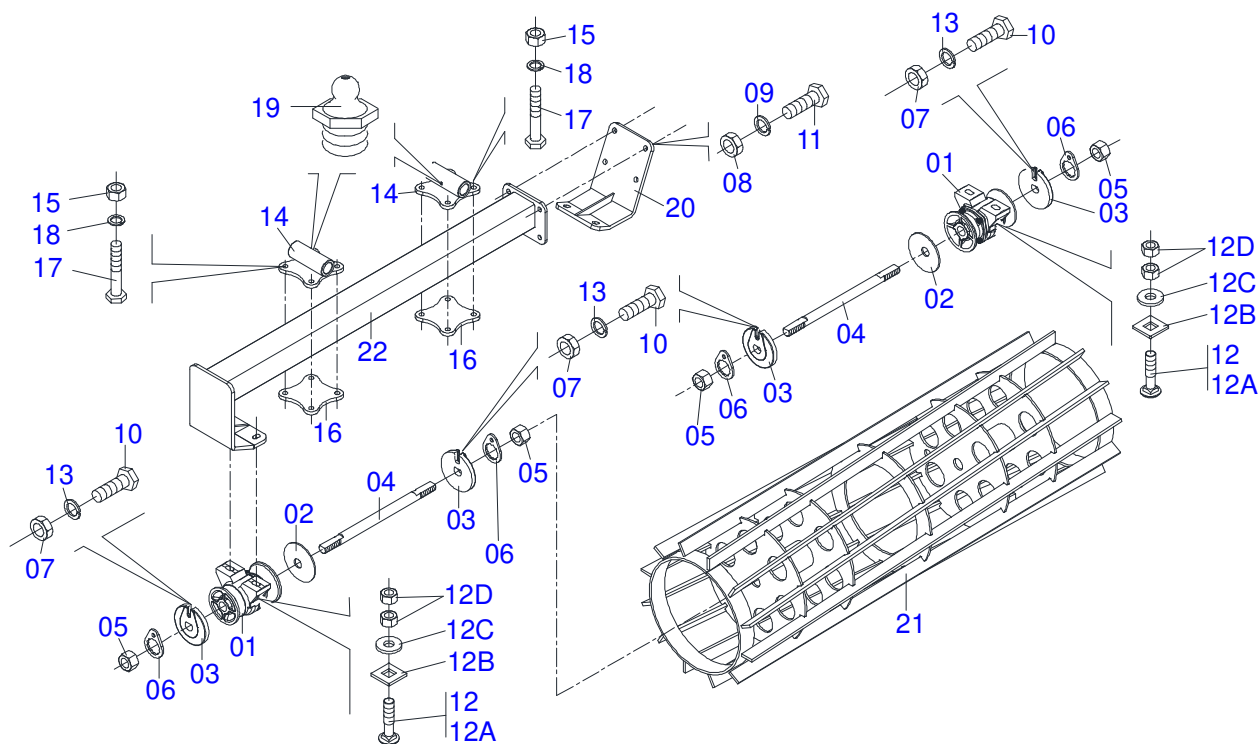


BREAKER ROLLER ARM ASSY



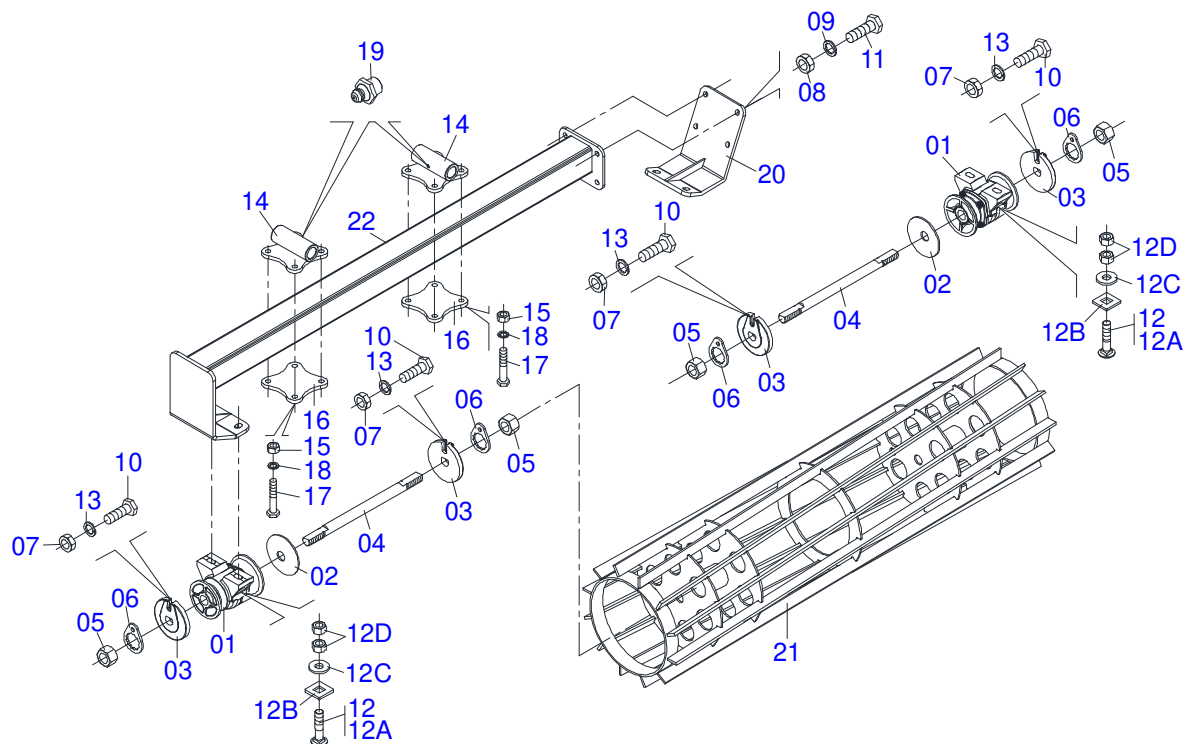
Item	Code	Description	See page	QT
01	0521065531	PRESS ROLLER ARM		01
02	0521065532	ROD SPRING		01
03	0501010059	1.5/8 NUT		04
04	0571011377	SPRING GUIDES SLEVE		02
05	0521063151	TRUNNION LOCK ARTICULATOR SPRING ROD		02
06	0571011378	TRUNNION ARTICULATOR SPRING ROD		01
07	0521062685	ARTICULATION AXIS		01
08	0521065529	FIXATION SUPPORT		01
09	0503014744	3/4 UNF X 7.1/2 C S G.7 ZN BOLT		02
10	0503010023	3/4" SPRING WASHER		02
11	0503010335	3/4"NUT		02
12	0571011609	FIXER PLATE CUTTING DISC		01
13	0521010578	COUPLING SHAFT		01
14	0503010019	1/2" SPRING WASHER		02
15	0503010010	1/4" X 2.1/2" COTTERPIN		01
16	0521010808	1.4" X 5.8" COUPLING SHAFT		01
17	0503012267	5/16" X 3" COTTER PIN		02
18	0511019685	FLAT WASHER		02
19	0503031575	2.5"X 12" X 0.5" COMPRESSION SPRING		01
20	0503010002	1800 GREASE FITTING		01
21	0503010920	1/2" X 1.1/2" BOLT		02
22	0503010060	1/2" NUT		02

BREAK ROLLER



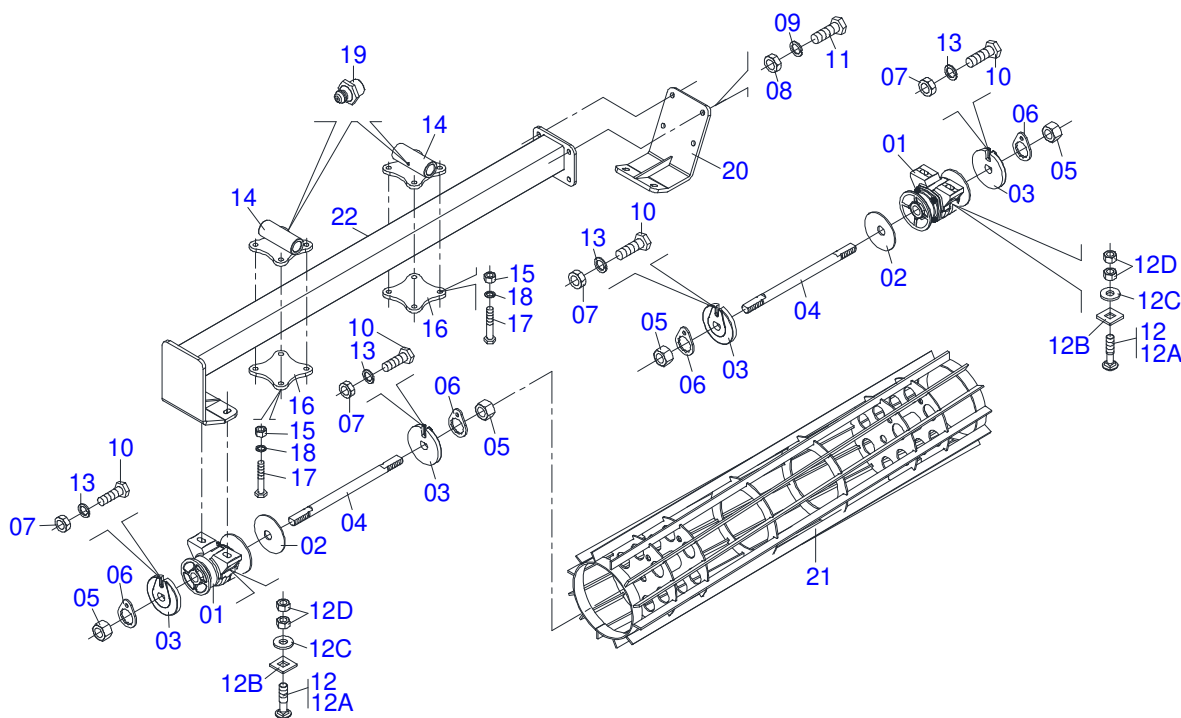
Item	Code	Description	See page	QT
01	0501042180	BEARING DUROMARK OL 192,5 X 1.1/4 IT	33	02
02	0503018575	WASHER CONCAVE		02
03	1902010835	1-1/4" EXTERNAL AXLE WASHER		04
04	0501010752	1.1/4" X 500 AXLE		02
05	0501010087	1.1/4" NUT		04
06	0501010455	1.1/4" NUT LOCK		04
07	0503010060	1/2" NUT		04
08	0503010013	5/8" NUT		04
09	0503011445	SPRING WASHER		04
10	0501010161	1/2" X 1.1/4" BOLT		04
11	0503010232	5/8" X 1.3/4" BOLT		04
12	0501058802	5/8 UNC X 2.3/4 BOLT ASSY		04
12A	0503015154	5/8" X 2.3/4" BOLT		04
12B	0501010947	5/8 NUT LOCK		04
12C	0501012140	FLAT WASHER		04
12D	0503010013	5/8" NUT		08
13	0503011440	SPRING WASHER		04
14	0521065253	ROLLER FIXER		02
15	0503010013	5/8" NUT		08
16	0571017230	FIXER PLATE		02
17	0501013867	BOLT 5/8 UNC X 6 CS G.5 ZN		08
18	0503010027	5/8" SPRING WASHER		08
19	0503010002	1800 GREASE FITTING		02
20	0521062673	BRACKET MOBILE FIXER ROLLER		01
21	0521065546	ROLLER		01
22	0521065549	SUPPORT		01

CAGE ROLLER ASSEMBLY



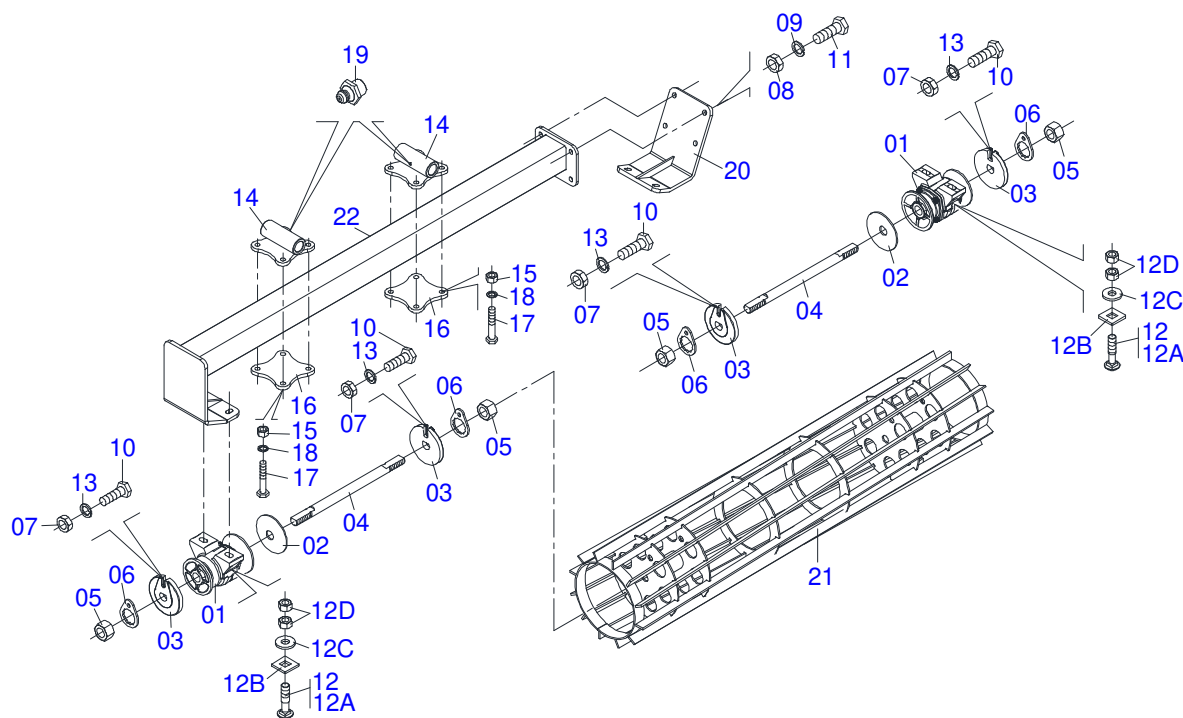
Item	Code	Description	See page	QT
001	0501046922	AGRICULTURAL BEARING DM OL 192.5 X 1.1/4 IMPLEMENT		02
002	0531018575	WASHER CONCAVE		02
003	1902010835	1-1/4" EXTERNAL AXLE WASHER		04
004	0501010752	1.1/4" X 500 AXLE		02
005	0501010087	1.1/4" NUT		04
006	0501010455	1.1/4" NUT LOCK		04
007	0503010060	1/2" NUT		04
008	0503010013	5/8" NUT		04
009	0503011445	SPRING WASHER		04
010	0501010161	1/2" X 1.1/4" BOLT		04
011	0503010232	5/8" X 1.3/4" BOLT		04
012	0501058802	5/8 UNC X 2.3/4 BOLT ASSY		04
012A	0503015154	5/8" X 2.3/4" BOLT		01
012B	0501010947	5/8 NUT LOCK		01
012C	0501012140	FLAT WASHER		01
012D	0503010013	5/8" NUT		02
013	0503011440	SPRING WASHER		04
014	0521065253	ROLLER FIXER		02
015	0503010013	5/8" NUT		08
016	0571017230	FIXER PLATE		02
017	0501013867	BOLT 5/8 UNC X 6 CS G.5 ZN		08
018	0503010027	5/8" SPRING WASHER		08
019	0503010002	1800 GREASE FITTING		02
020	0521062673	BRACKET MOBILE FIXER ROLLER		01
021	0521065547	ARM ROLLE ASSY		01
022	0521065550	BREAK ROLLER SUPPORT		01

BREAK ROLLER

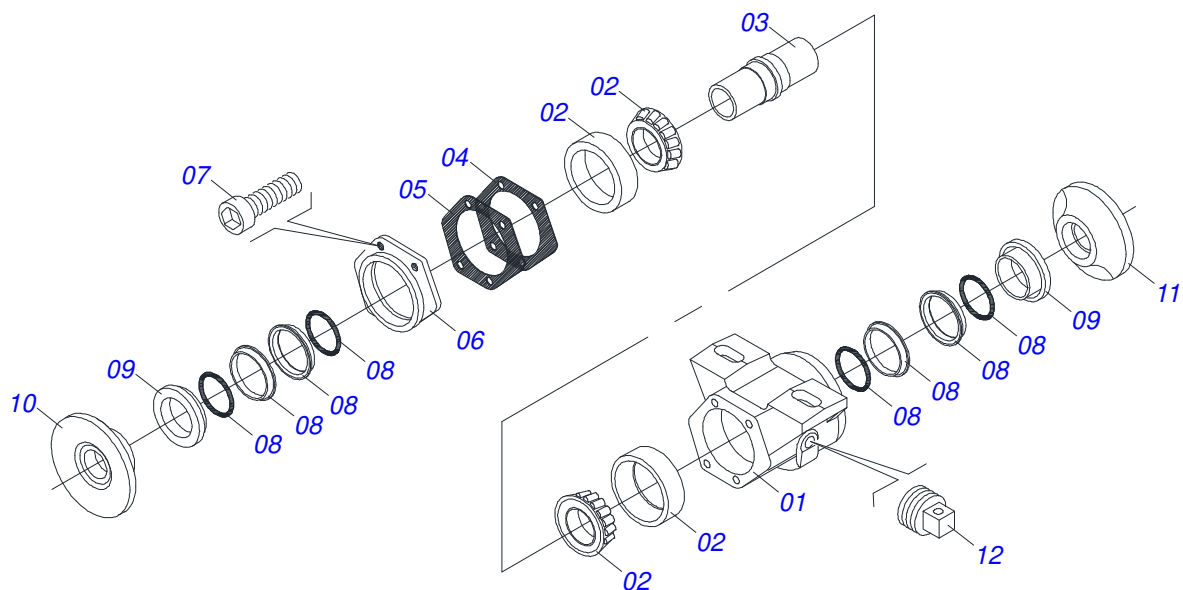


Item	Code	Description	See page	QT
001	0501046922	AGRICULTURAL BEARING DM OL 192.5 X 1.1/4 IMPLEMENT		02
002	0531018575	WASHER CONCAVE		02
003	1902010835	1-1/4" EXTERNAL AXLE WASHER		04
004	0501010752	1.1/4" X 500 AXLE		02
005	0501010087	1.1/4" NUT		04
006	0501010455	1.1/4" NUT LOCK		04
007	0503010060	1/2" NUT		04
008	0503010013	5/8" NUT		04
009	0503011445	SPRING WASHER		04
010	0501010161	1/2" X 1.1/4" BOLT		04
011	0503010232	5/8" X 1.3/4" BOLT		04
012	0501058802	5/8 UNC X 2.3/4 BOLT ASSY		04
012A	0503015154	5/8" X 2.3/4" BOLT		01
012B	0501010947	5/8 NUT LOCK		01
012C	0501012140	FLAT WASHER		01
012D	0503010013	5/8" NUT		02
013	0503011440	SPRING WASHER		04
014	0521065253	ROLLER FIXER		02
015	0503010013	5/8" NUT		08
016	0571017230	FIXER PLATE		02
017	0501013867	BOLT 5/8 UNC X 6 CS G.5 ZN		08
018	0503010027	5/8" SPRING WASHER		08
019	0503010002	1800 GREASE FITTING		02
020	0521062673	BRACKET MOBILE FIXER ROLLER		01
021	0521065548	BREAK ROLLER SUPPORT		01
022	0521065551	BREAK ROLLER SUPPORT 2030 EST/MATIC		01

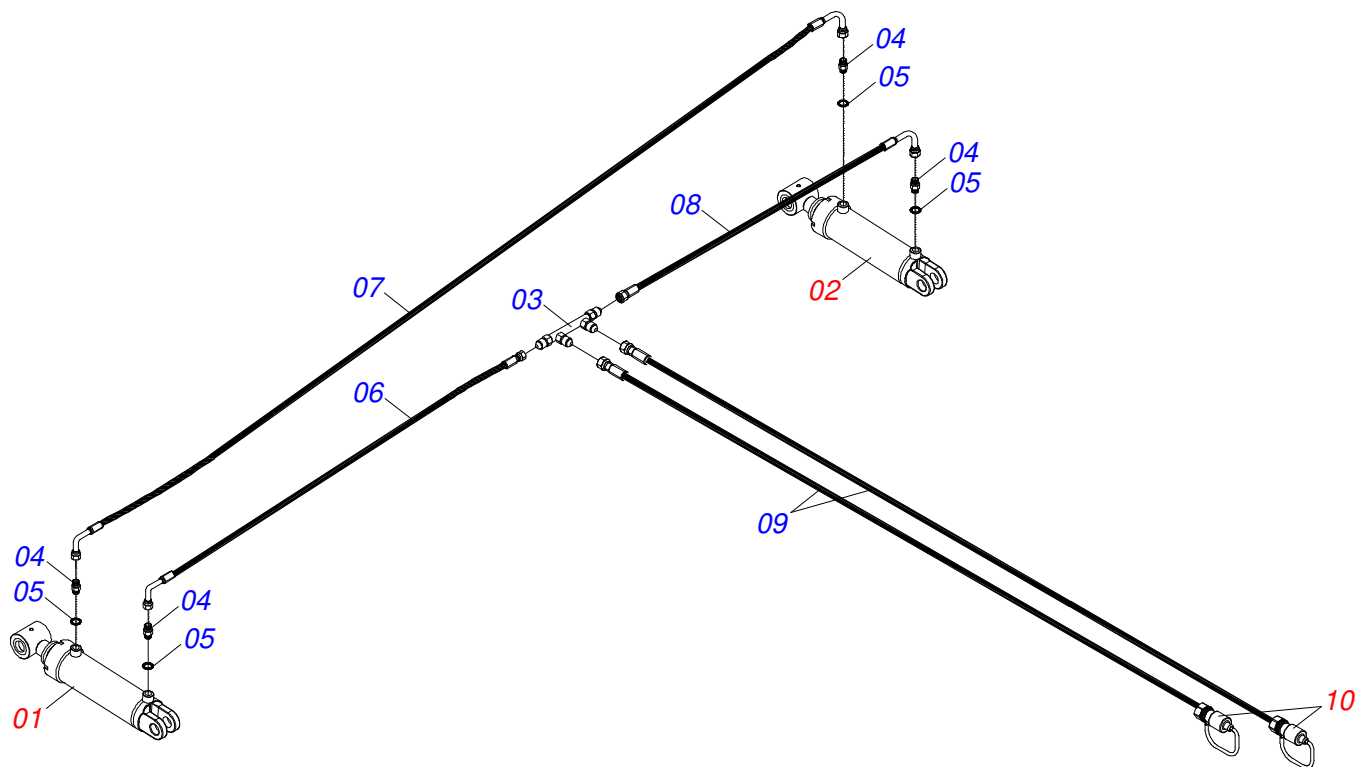
BREAK ROLLER



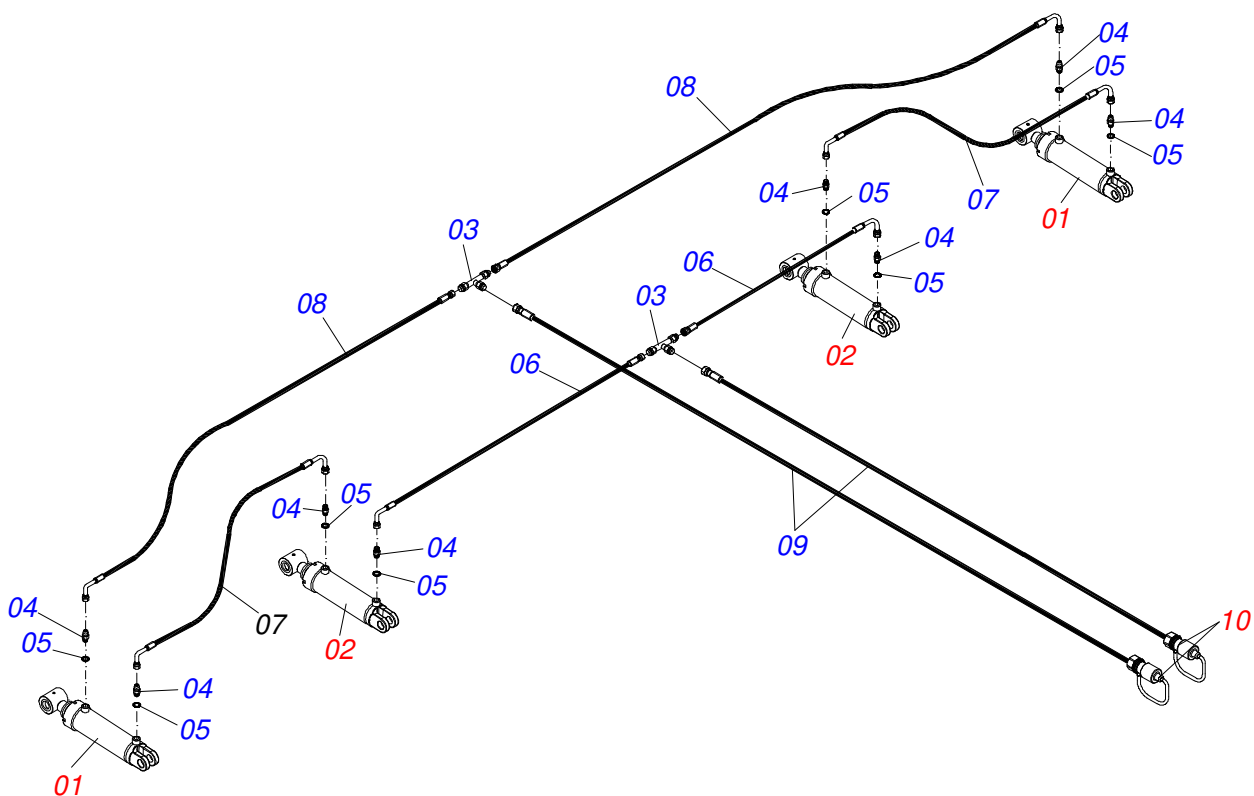
Item	Code	Description	See page	QT
001	0501046922	AGRICULTURAL BEARING DM OL 192.5 X 1.1/4 IMPLEMENT		02
002	0531018575	WASHER CONCAVE		02
003	1902010835	1-1/4" EXTERNAL AXLE WASHER		04
004	0501010752	1.1/4" X 500 AXLE		02
005	0501010087	1.1/4" NUT		04
006	0501010455	1.1/4" NUT LOCK		04
007	0503010060	1/2" NUT		04
008	0503010013	5/8" NUT		04
009	0503011445	SPRING WASHER		04
010	0501010161	1/2" X 1.1/4" BOLT		04
011	0503010232	5/8" X 1.3/4" BOLT		04
012	0501058802	5/8 UNC X 2.3/4 BOLT ASSY		04
012A	0503015154	5/8" X 2.3/4" BOLT		01
012B	0501010947	5/8 NUT LOCK		01
012C	0501012140	FLAT WASHER		01
012D	0503010013	5/8" NUT		02
013	0503011440	SPRING WASHER		04
014	0521065253	ROLLER FIXER		02
015	0503010013	5/8" NUT		08
016	0571017230	FIXER PLATE		02
017	0501013867	BOLT 5/8 UNC X 6 CS G.5 ZN		08
018	0503010027	5/8" SPRING WASHER		08
019	0503010002	1800 GREASE FITTING		02
020	0521062673	BRACKET MOBILE FIXER ROLLER		01
021	0521065479	DESTROYER ROLLER 2290		01
022	0521065480	BREAK ROLLER SUPPORT		01



Item	Code	Description	See page	QT
01	0502010539	HOUSING DM		01
02	0503010111	30210 ROLLER BEARING		02
03	0502040218	AXLE		01
04	0503030013	4.4" X 3.5" X 0.004" JOINT		02
05	0503030684	4.4" X 3.5" X 0.004" JOINT		01
06	0502020424	HOUSING CAP		01
07	0503010134	3/8" X 1" BOLT		04
08	0503030026	SEAL LP JB-253		02
09	0502010541	SEAL RETAINER		02
10	0502010070	OUTER FLANGE		01
11	0502010071	INNER FLANGE		01
12	0503010856	OIL PLUG		01

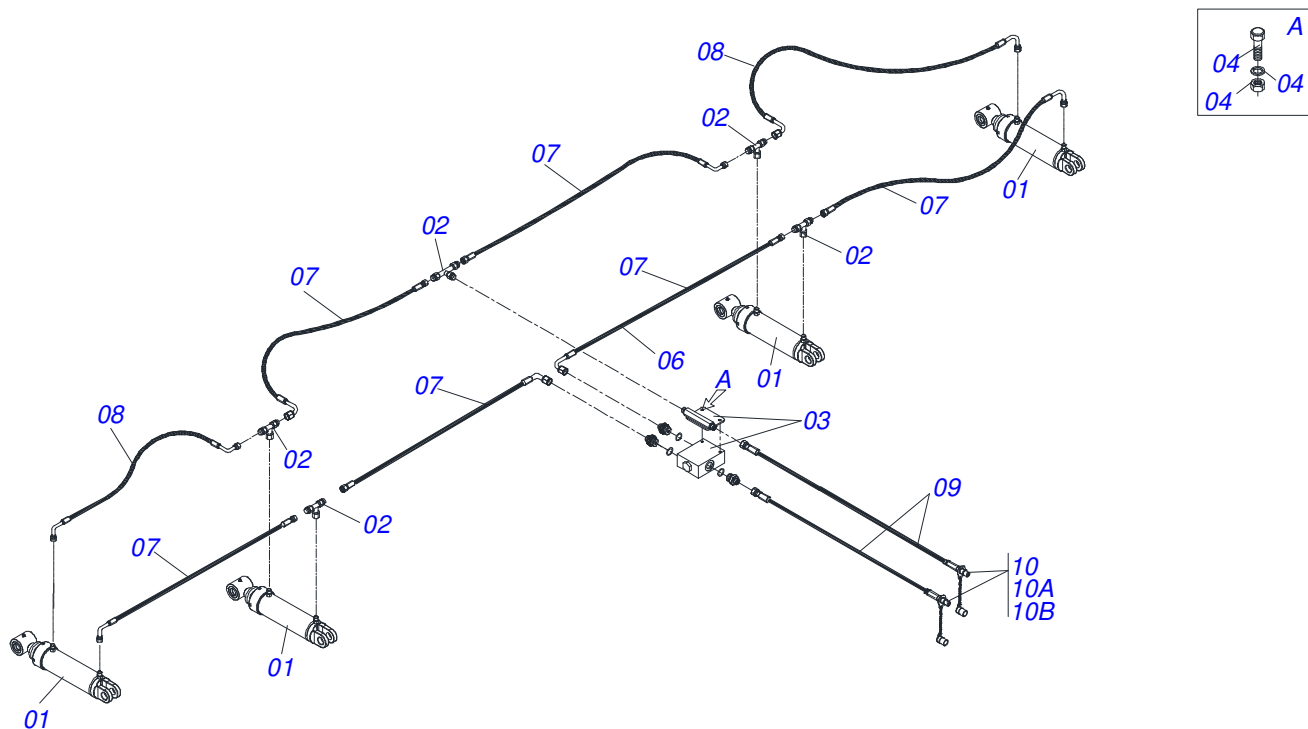


Item	Code	Description	See page	QT
01	0521040915	HYDRAULIC CYLINDER 44,45 X 85,7 X 515 X 203	22	01
02	0521040391	HYDRAULIC CYLINDER 53,98 X 101,6 X 515 X 203	23	01
03	0501068088	OIL TUBE		01
04	0501010617	3/4" NIPPLE		04
05	0503010190	2-114 N 3006-9B O'RING		04
06	0501080348	3/8 X 1200 TR-TC HOSE		01
07	0501080746	TC-TC HOSE ASSY		01
08	0501080436	3/8 X 1600 TR-TC HOSE		01
09	0501080384	TR-TM HOSE ASSY		02
10	0501053834	MALE QUICK COUPLER		02



Item	Code	Description	See page	QT
01	0521040915	HYDRAULIC CYLINDER 44,45 X 85,7 X 515 X 203	22	02
02	0521040391	HYDRAULIC CYLINDER 53,98 X 101,6 X 515 X 203	23	02
03	0501072676	OIL DISTRIBUTOR BODY		02
04	0501010617	3/4" NIPPLE		08
05	0503010190	2-114 N 3006-9B O'RING		08
06	0501080025	3/8 X 1400 TR-TC HOSE		02
07	0501081108	3/8 X 1400 TC-TC HOSE		02
08	0501080515	HOSE 3/8 X 3400 TR-TC		02
09	0501080509	TR-TM HOSE ASSY		02
10	0501053834	MALE QUICK COUPLER		02





Item	Code	Description	See page	QT
01	0521045737	HYDRAULIC CILINDER 44,45 X 85,72 X 515 X 205	15	04
02	0503037376	3/4" T ADAPTER WITH SWIVEL NUT		04
03	0511057534	FLOW DIVIDING VALVE		01
04	0503010751	C3/8" X 1.1/4" HEX BOLT G.5		02
05	0503010025	3/8" SPRING WASHER		02
06	0503010026	3/8" NUT		08
07	0501080025	3/8 X 1400 TR-TC HOSE		06
08	0501080514	3/8 X 1700 TC-TC HOSE		02
09	0501080509	TR-TM HOSE ASSY		02
10	0501053834	MALE QUICK COUPLER		02
10A	0503011627	MALE QUICK COUPLER AGR 1/2 NPT		02
10B	0503011882	MALE QUICK COUPLER CAP		02





**MARCHESAN**

***Technical Publications | Elaboration and Revision***

ALESSANDRA PATRICIA KAWAHARA CARRILI

[www.marchesan.com.br](http://www.marchesan.com.br)

