

ROTARY CUTTERS

RO2 3101

Code: 0501091224

Series: S-0214

Revision: 00

Date Revision: MAIO/2016

PARTS CATALOGUE



MARCHESAN



PRODUCTS

Code	Description
0104040011	RO2 3101 C/PROT CORR S-0214
0104040025	RO2 3101 S/PROT CORR EXP S-0214
0104040025C	RO2 3101 S/PROT CORR EXP S-0214

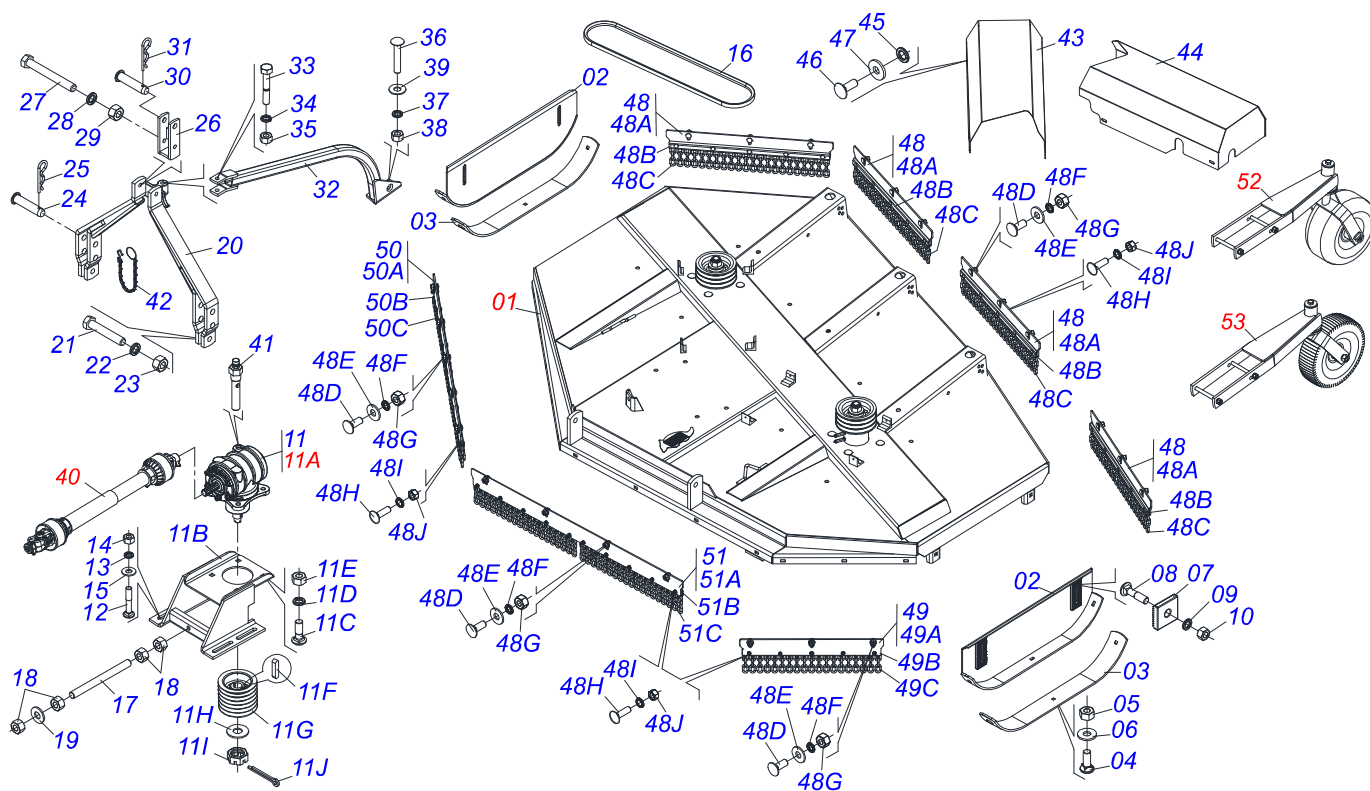
ATTENTION: IMPORTANT

Marchesan S.A. reserves the right to improve and / or modify the technical features of its products, without obligation to do the same with those products already sold and without prior knowledge of the dealer or the consumer.



INDEX

0909092979	FRAME ASSY	1
0511054062	SEMIFINISHED FRAME	2
0511043566	ROTARY CUTTERS HUB ASSY	3
0511043567	ROTARY CUTTERS HUB ASSY	4
0501056321	SUPPORT ROTARY CUTTER BLADES	5
0501046851	MULTIPLIER	6
0501047952	DRIVE SHAFT	7
0511047301	CARRYING WHEELS ASSY	8
0501043642	RUBBER WHEEL ASSY	9
0909091430	(SHEET METAL SUPPORT)SPARE	10

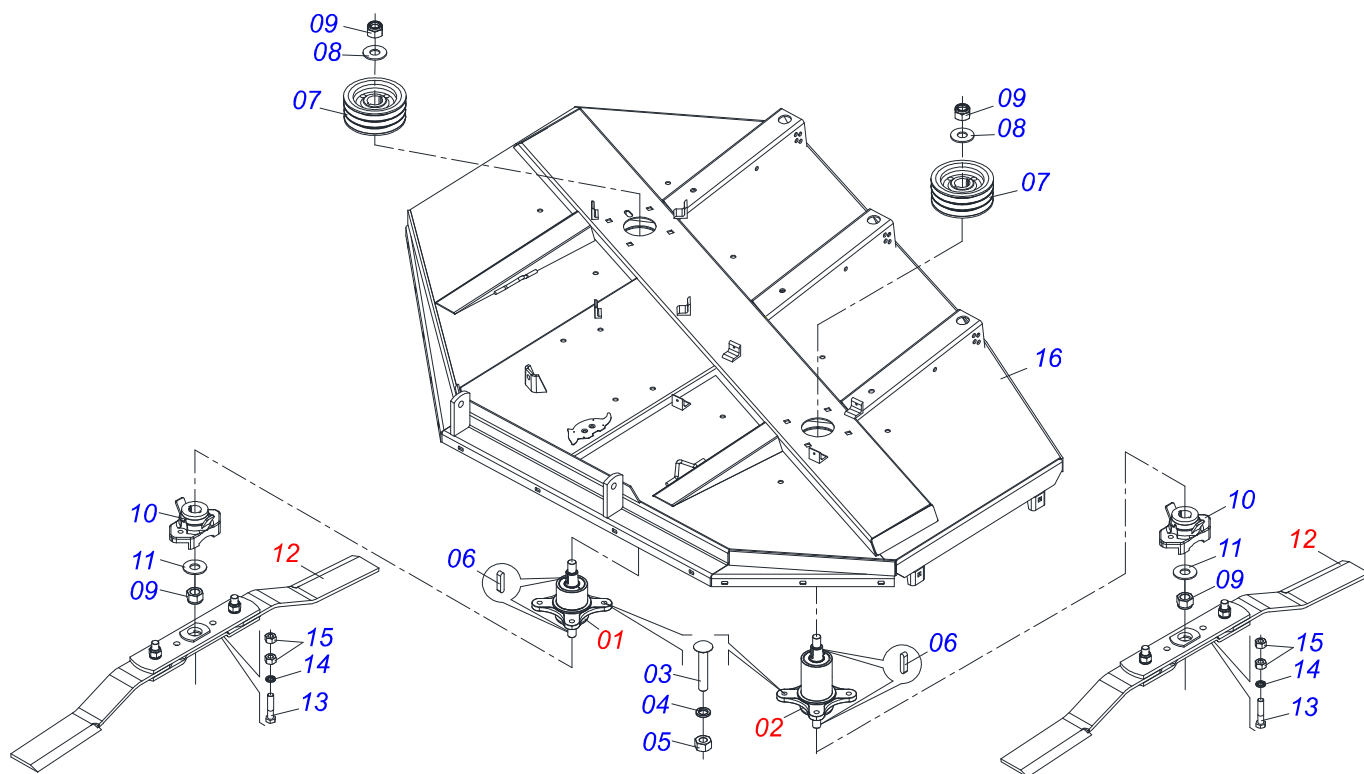


Item	Code	Description	See page	QT
001	0511054062	SEMIFINISHED FRAME	2	01
002	0511064761	930 LEFT SKID		02
003	0531019436	SKID GUIDE		02
004	0503012956	1/2" X 1-1/2" BOLT		06
005	0503010020	1/2"NUT		06
006	0511017302	FLAT WASHER		06
007	0502010083	SQUARE WASHER		04
008	0501014177	5/8" X 2-1/2" BOLT		04
009	0503010027	5/8" SPRING WASHER		04
010	0503010013	5/8" NUT		04
011	0501051019	MULTIPLIER		01
011A	0501046851	MULTIPLIER	6	01
011B	0501068059	MULTIPLIER SUPPORT		01
011C	0511018358	3/4" X 2-1/4"7MM BOLT		04
011D	0503011442	3/4" SPRING WASHER		04
011E	0503010014	3/4" NUT		04
011F	0501010536	KEYWAY SQUARE		02
011G	0502011378	6 REEL X 7.5" X 1.97" PULLEY		01
011H	0561015762	FLAT WASHER		01
011I	0503011052	1.1/4" X 0.77" CASTLE NUT		01
011J	0503010131	3/16" X 1-1/2" COTTERPIN		01
012	0501010162	3/4" X 4" BOLT		04
013	0503010023	3/4" SPRING WASHER		04
014	0503010014	3/4" NUT		04
015	0501010322	FLAT WASHER		04
016	0503010156	C-85 BELT		06
017	0501016413	362 TENSIONER BODY		01
018	0503010014	3/4" NUT		04
019	0501010322	FLAT WASHER		01
020	0501066446	DRAWBAR		01
021	0501010171	BOLT 1 UNC X 3.1/2 C S G.5		02

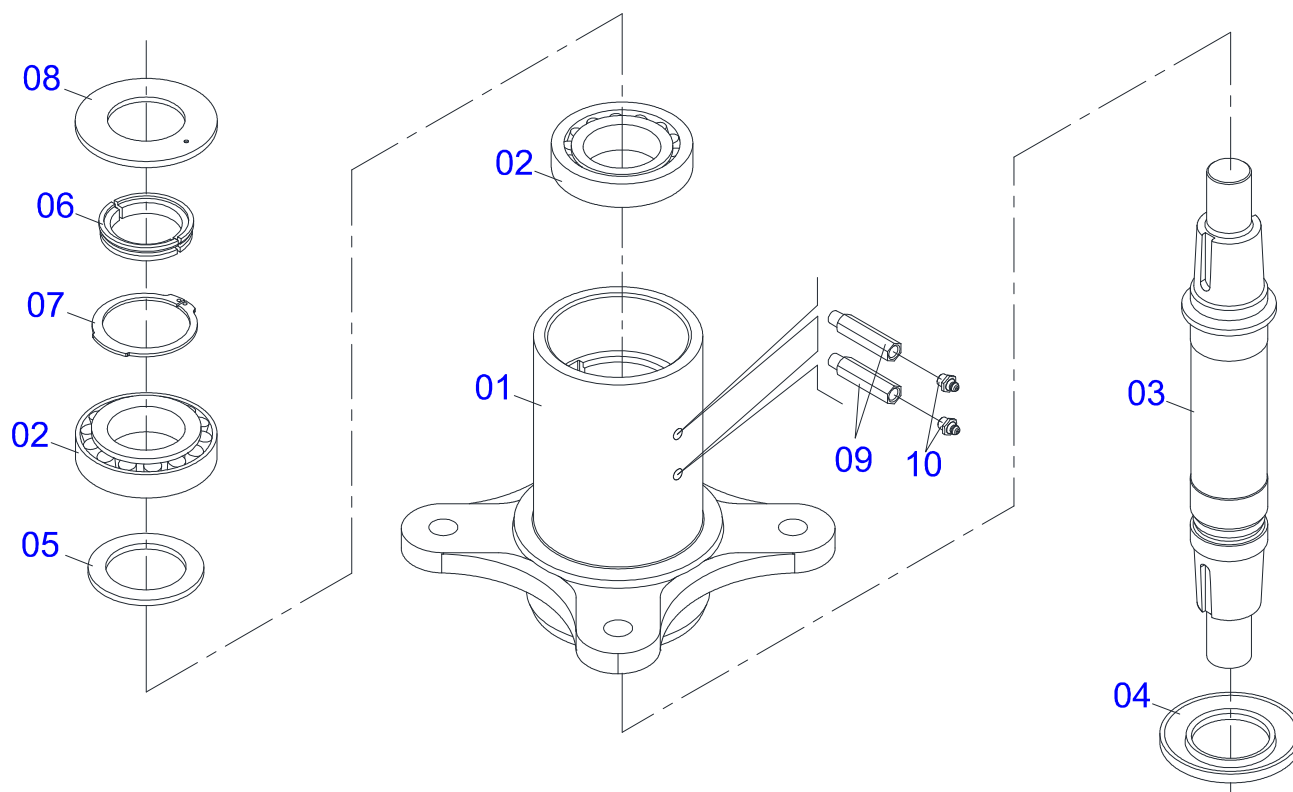


RO2 3101
FRAME ASSY

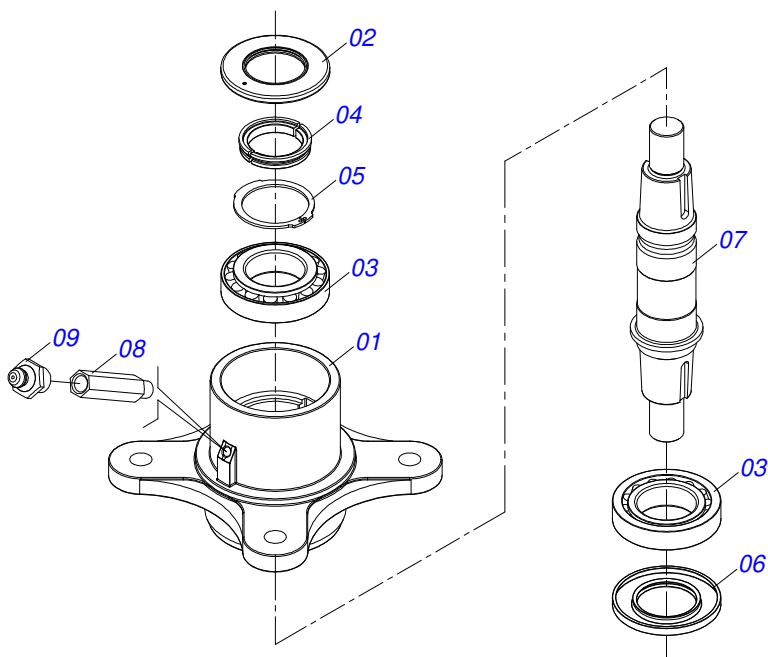
Item	Code	Description	See page	QT
022	0503010012	1" SPRING WASHER		02
023	0501010059	1.5/8 NUT		02
024	0521010596	COUPLING SHAFT		02
025	0503031035	HAIR PIN		02
026	0501066445	PIVOT DOUBLE BAR		01
027	0503011198	C3/4" X 6" SCREW		01
028	0503010023	3/4" SPRING WASHER		01
029	0503010014	3/4" NUT		01
030	0521010578	COUPLING SHAFT		01
031	0503031035	HAIR PIN		01
032	0521066524	ATTACHMENT BAR		01
033	0501017305	3/4" X 2-1/4" BOLT		01
034	0503010023	3/4" SPRING WASHER		01
035	0503010014	3/4" NUT		01
036	0501010216	3/4" X 4-1/2" BOLT		01
037	0503010023	3/4" SPRING WASHER		01
038	0503010014	3/4" NUT		01
039	0501010322	FLAT WASHER		01
040	0501047952	DRIVE SHAFT	7	01
041	0501110186	OIL SMALLER LEVEL INDICATOR		01
042	0503011981	17.7" CHAIN WITH HOOK/LINK		01
043	0521066888	PROTECTION COVER BELT		01
044	0521066887	PROTECTION COVER OF THE BELT		01
045	0503010025	3/8" SPRING WASHER		08
046	0503010256	3/8" X 3/4" BOLT		08
047	0501010984	FLAT WASHER		08
048	0511054730	CHAIN PROTECTION		04
048A	0571015428	CHAIN PROTECTION BODY		04
048B	0571015429	PROTECTION CLAW		04
048C	0511013029	8,00 CHAIN 3 LINK		88
048D	0501011600	1/2" X 1-1/4" BOLT		24
048E	0511017302	FLAT WASHER		24
048F	0503010019	1/2" SPRING WASHER		24
048G	0503010020	1/2"NUT		24
048H	0501010942	3/8" X 1-1/4" BOLT		45
048I	0503010025	3/8" SPRING WASHER		45
048J	0503010026	3/8" NUT		45
049	0511054729	CHAIN PROTECTION		01
049A	0571015425	CHAIN PROTECTION BODY		01
049B	0571015430	CLAW PROTECTION CHAIN		01
049C	0511013029	8,00 CHAIN 3 LINK		19
050	0511056866	CHAIN PROTECTION		01
050A	0571015427	CHAIN PROTECTION BODY		01
050B	0571015430	CLAW PROTECTION CHAIN		02
050C	0511013029	8,00 CHAIN 3 LINK		38
051	0511056867	CHAIN PROTECTION		01
051A	0571015426	CHAIN PROTECTION BODY		01
051B	0571015430	CLAW PROTECTION CHAIN		02
051C	0511013029	8,00 CHAIN 3 LINK		38
052	0511047301	CARRYING WHEELS ASSY	8	02
053	0501043642	RUBBER WHEEL ASSY	9	02



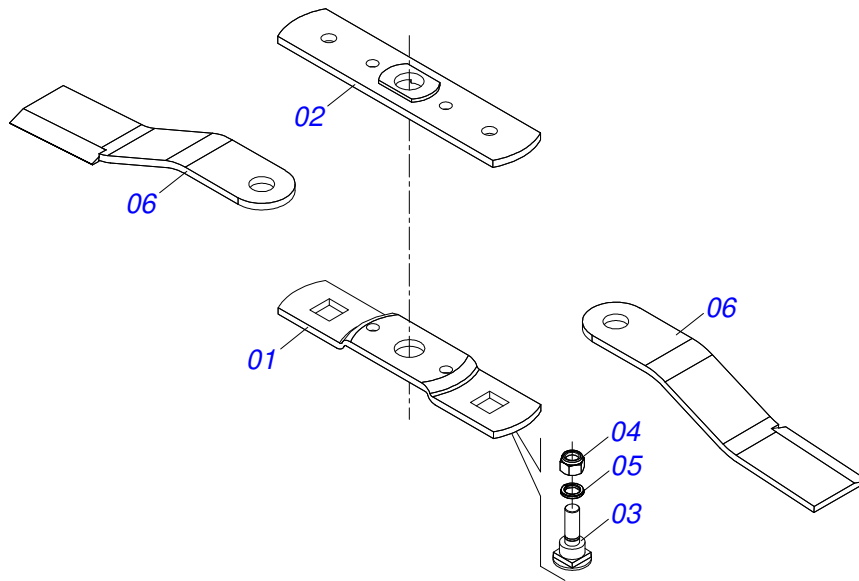
Item	Code	Description	See page	QT
001	0511043567	ROTARY CUTTERS HUB ASSY	4	01
002	0511043566	ROTARY CUTTERS HUB ASSY	3	01
003	0503013122	3/4" X 4-1/4" BOLT		08
004	0503011442	3/4" SPRING WASHER		08
005	0503010014	3/4" NUT		08
006	0501010536	KEYWAY SQUARE		08
007	0502011377	REEL 190 X 50 PULLEY		02
008	0561015762	FLAT WASHER		02
009	0503010817	1.1/4" SELF LOCKING NUT		04
010	0502012453	SUPPORT FLANGE		02
011	0501017779	32 X 60 X 4.75 FLAT WASHER		02
012	0501056321	SUPPORT ROTARY CUTTER BLADES	5	02
013	0503010901	3/4UNC 3.1/2 BOLT		04
014	0503011442	3/4" SPRING WASHER		02
015	0503010014	3/4" NUT		08
016	0521064680			01



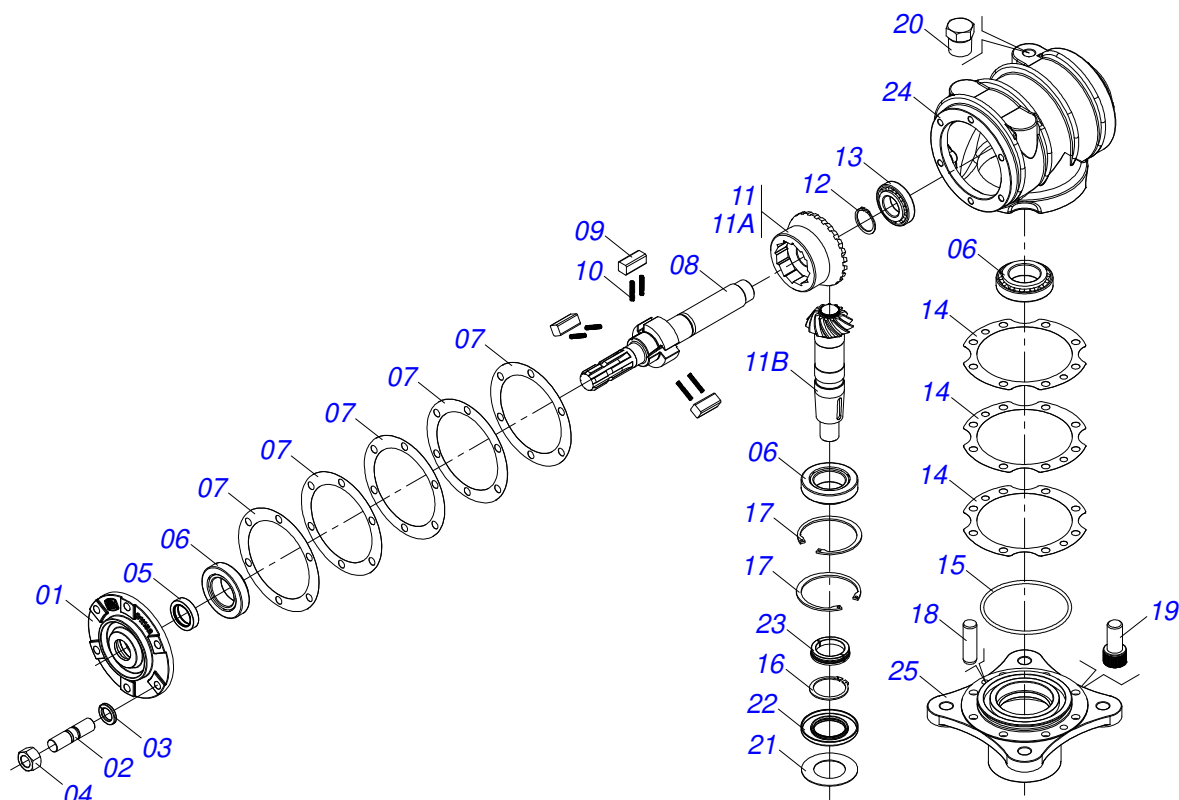
Item	Code	Description	See page	QT
01	0502012295	ROTARY CUTTERS HUB		01
02	0503012418	32211 ROLLER BEARING		02
03	0541014094	LARGER AXLE		01
04	0503013201	ARCA 6016 BRG SEAL		01
05	0541014151	FLAT WASHER		01
06	0531019302	LOCK RING		01
07	0503012311	501065 RENO RING		01
08	0503013211	6016 BRG SEAL		01
09	0501019757	EXTENSION GREASE FITTING		02
10	0503010002	1800 GREASE FITTING		02



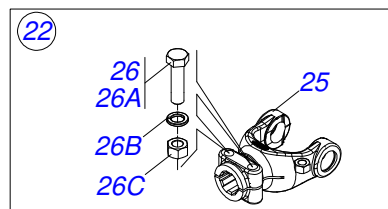
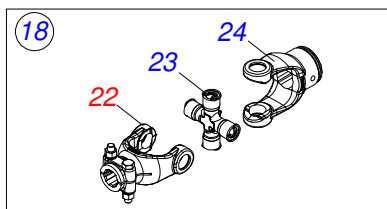
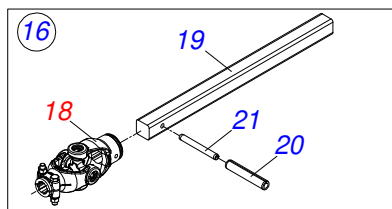
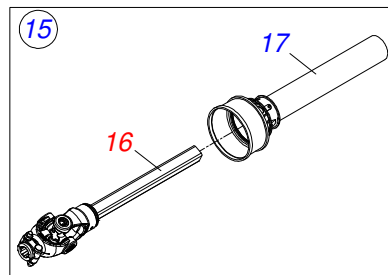
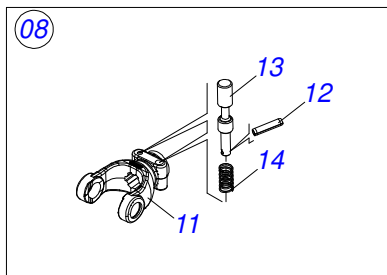
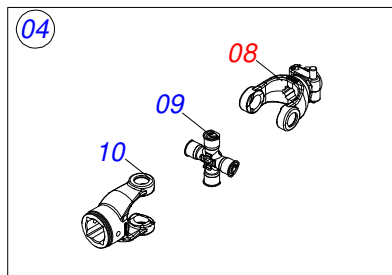
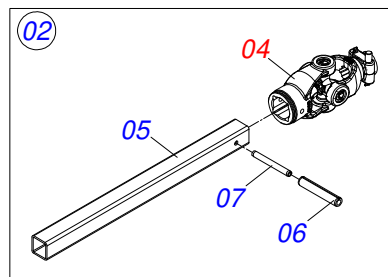
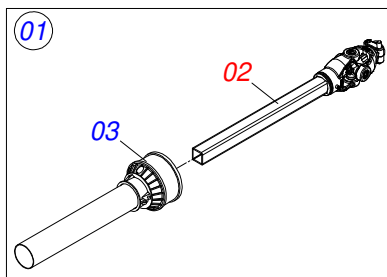
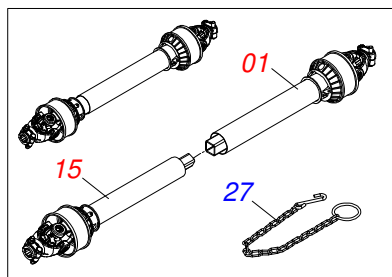
Item	Code	Description	See page	QT
01	0502012294	DROP HUB		01
02	0503013201	ARCA 6016 BRG SEAL		01
03	0503012418	32211 ROLLER BEARING		02
04	0541014445	LOCK RING		01
05	0503012311	501065 RENO RING		01
06	0503013211	6016 BRG SEAL		01
07	0541014095	ROTARY CUTTERS SMALLER AXLE		01
08	0501019757	EXTENSION GREASE FITTING		01
09	0503010002	1800 GREASE FITTING		01



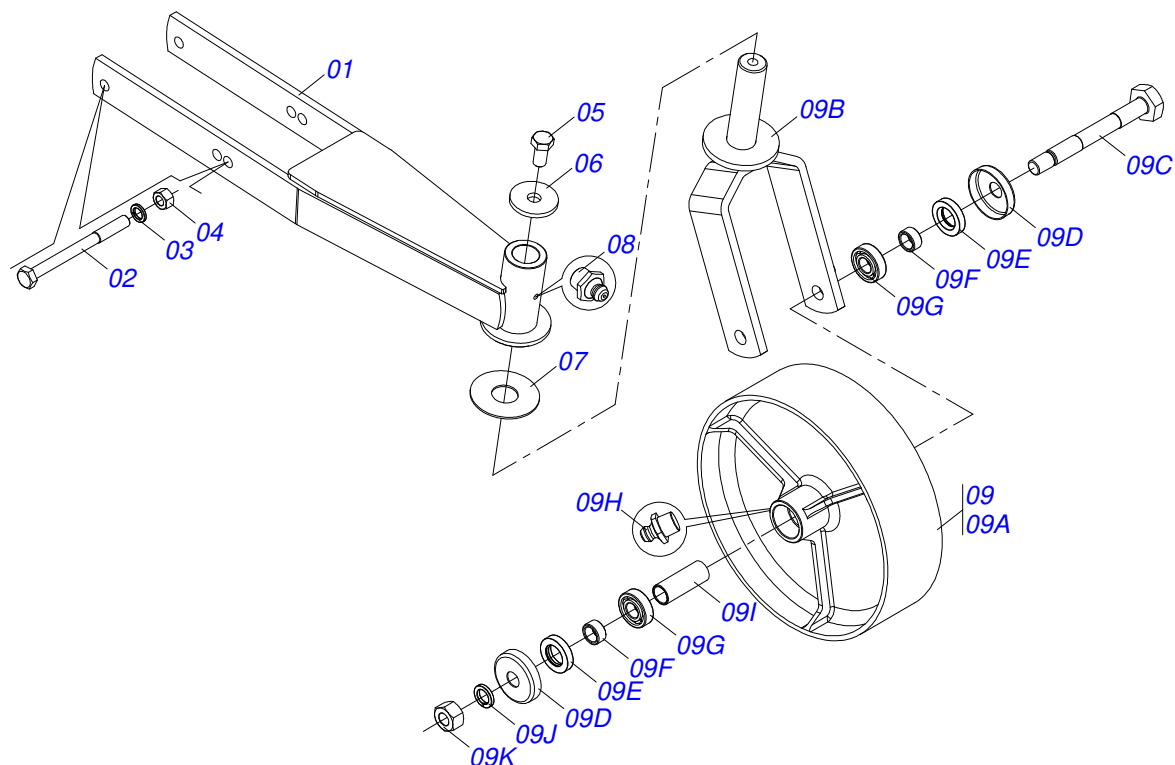
Item	Code	Description	See page	QT
01	0561017368	ROTARY LOWER SUPPORT		01
02	0561017308	SUPPORT UPPER BASE		01
03	0511019000	BOLT		02
04	0503010812	7/8" UNF SELF LOCKING NUT		02
05	0503011447	SPRING WASHER		02
06	0622400054	24.5" X 3.94" X 0.5" ROTARY CUTTER		02



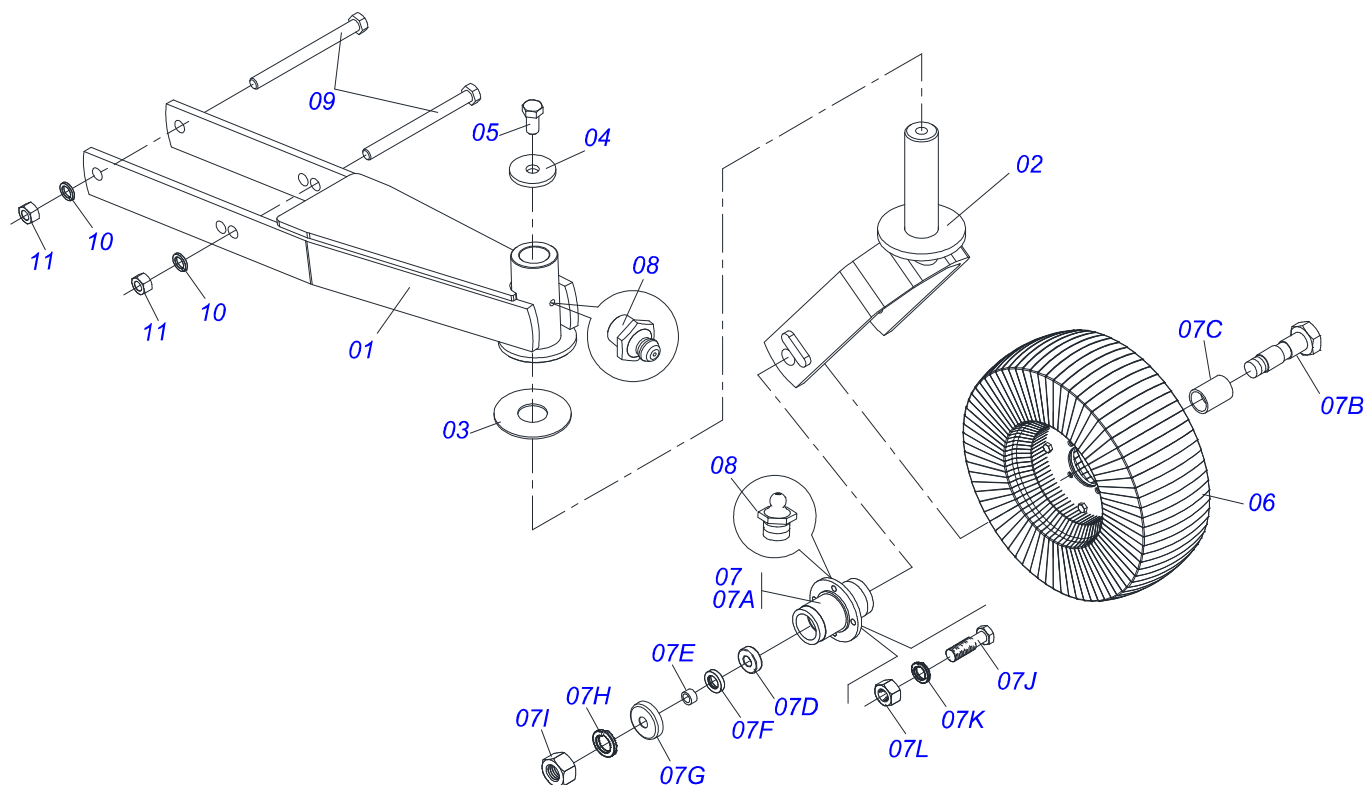
Item	Code	Description	See page	QT
01	0502011152	SMALLER COVER		01
02	0503030084	1/2" X 1/2" X 2.0" STUD		06
03	0503011440	SPRING WASHER		06
04	0503010028	1/2" NUT		06
05	0503011171	00912-BRG SEAL		01
06	0503010006	32210 ROLLER BEARING		03
07	0503030783	7.1" X 5.3" X 0.008" JOINT		05
08	0503050063	UPPER AXLE		01
09	0501010649	RATCHET CLICK		03
10	0503030051	0.2" X 1" X 0.1" COMPRESSION SPRING		06
11	0503060210	CROWN PINION SET		01
11A	0503050074	25Z CONICAL GEAR		01
11B	0503061048	PINION		01
12	0503010217	501040 CLAMPING RING (FOR AXLE)		01
13	0503010037	30207 ROLLER BEARING		01
14	0503030785	7.9" X 5.9" X 0.008" JOINT		03
15	0503010286	2-355 N 3006-9B O'RING		01
16	0503010396	501060 CLAMPING RING (FOR AXLE)		01
17	0503011190	SEAL RING		02
18	0503017877	PIN GUIDE		02
19	0503010562	1/2" X 1" BOLT		08
20	0503031604	1/2" BSP PLUG		01
21	0521018064	FLAT WASHER		01
22	0503011047	5089 SEAL		01
23	0511010142	LOCK RING		01
24	0502010984	LEFT MULTIPLIER BOX		01
25	0502011393	LOWER HUB		01



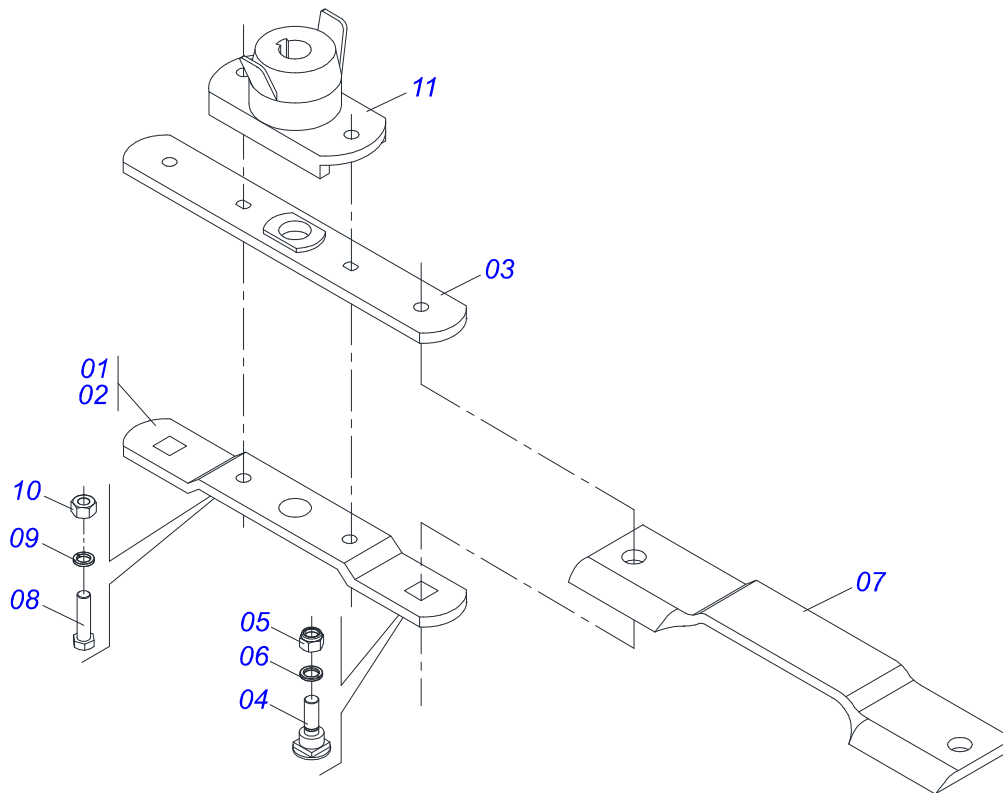
Item	Code	Description	See page	QT
01	0501051705	UNIVERSAL JOINT WITH SLEEVE/PROT		01
02	0501051707	UNIVERSAL JOINT WITH SLEEVE		01
03	0503012084	PROTECTION FOR UNIV JOINT AND SLEEVE		01
04	0501051708	UNIVERSAL JOINT		01
05	0511010332	23" X 1.8" SQUARE SLEEVE		01
06	0503010843	0.4" X 3.3" SPRING PIN		01
07	0503011878	0.2" X 3.3" SPRING PIN		01
08	0501050334	1-60 TERMINAL WITH QUICK HITCH		01
09	0503010837	CARDAN CROSSPIECE		01
10	0502011422	2-60 TERMINAL		01
11	0502010568	1-60 STRIATED 1.3/8" TERMINAL		01
12	0503010838	0.1" X 0.8" SPRING PIN		02
13	0503037375	PIN QUICK COUPLING		02
14	0503030518	0.5"X1.0"X 0.1" COMPRESSION SPRING		02
15	0501051706	UNIVERSAL JOINT WITH AXLE/PROT		01
16	0501051709	UNIVERSAL JOINT WITH SHAFT		01
17	0503012085	PROTECTION FOR UNIV JOINT AND AXLE		01
18	0501051710	UNIVERSAL JOINT		01
19	0511010326	1.4" X 23" SQUARE SHAFT		01
20	0503011069	0.4" X 2.8" SPRING PIN		01
21	0503011805	0.2" X 2.8" SPRING PIN		01
22	0501052516	T6-60 TERMINAL WITH SCREW		01
23	0503010837	CARDAN CROSSPIECE		01
24	0502011424	3-60 TERMINAL		01
25	0502010830	6-60 STRIATED 1.3/8" TERMINAL		01
26	0501047756	1/2" X 3" SET PARTS		02
26a	0503010479	BOLT		01
26b	0503010019	1/2" SPRING WASHER		01
26c	0503010060	1/2" NUT		01
27	0503012023	CHAIN FOR PROTECTION		02



Item	Code	Description	See page	QT
01	0521065281	WHEEL SUPPORT		01
02	0503010795	5/8" X 7" BOLT		02
03	0503010027	5/8" SPRING WASHER		02
04	0503010013	5/8" NUT		02
05	0503010962	5/8" X 1-1/4" BOLT		01
06	0511010721	FLAT WASHER		01
07	0511013239	FLAT WASHER		01
08	0503010002	1800 GREASE FITTING		01
09	0501058460	CARRYING WHEELS		01
09A	0502012519	350 X 100 WHEEL ASSY		01
09B	0501065266	WHELL FORK		01
09C	0501017143	WHEEL AXLE		01
09D	0511014254	DUST CLOAK		02
09E	0503010268	00262-B SEAL		02
09F	0521010487	SPACER WASHER		02
09G	0503010269	6204 BALL BEARING		02
09H	0503010002	1800 GREASE FITTING		01
09I	0521010460	0.9" X 1.1" X 2.9" SLEEVE		01
09J	0503011442	3/4" SPRING WASHER		01
09K	0503010014	3/4" NUT		01



Item	Code	Description	See page	QT
01	0501069375	WHEEL SUPPORT		01
02	0501065266	WHELL FORK		01
03	0511013239	FLAT WASHER		01
04	0511010721	FLAT WASHER		01
05	0503010962	5/8" X 1-1/4" BOLT		01
06	0501050433	TIRE WHELL		01
07	0501051587	WHEELS BOX ASSY		01
07A	0502011286	WHEELS BOX ASSY		01
07B	0501017143	WHEEL AXLE		01
07C	0521010460	0.9" X 1.1" X 2.9" SLEEVE		01
07D	0503010269	6204 BALL BEARING		02
07E	0521010487	SPACER WASHER		02
07F	0503010268	00262-B SEAL		02
07G	0511014254	DUST CLOAK		01
07H	0503010023	3/4" SPRING WASHER		01
07I	0503010014	3/4" NUT		04
07J	0501010080	3/8" BOLT		04
07K	0503010025	3/8" SPRING WASHER		04
07L	0503010026	3/8" NUT		02
08	0503010002	1800 GREASE FITTING		01
09	0503010795	5/8" X 7" BOLT		02
10	0503010027	5/8" SPRING WASHER		02
11	0503010013	5/8" NUT		02



Item	Code	Description	See page	QT
01	0501056326	SUPPORT WITH ROTARY CUTTER BLADES		01
02	0561017368	ROTARY LOWER SUPPORT		01
03	0561017308	SUPPORT UPPER BASE		01
04	0511019000	BOLT		02
05	0503010812	7/8" UNF SELF LOCKING NUT		02
06	0503011447	SPRING WASHER		02
07	0622400057	21.6" X 3.94" X 0.5" ROTARY CUTTER		02
08	0503010901	3/4UNC 3.1/2 BOLT		02
09	0503010023	3/4" SPRING WASHER		02
10	0503010014	3/4" NUT		02
11	0502012453	SUPPORT FLANGE		01



MARCHESAN

Technical Publications | Elaboration and Revision
JOSÉ DOMINGOS GASPARI

www.marchesan.com.br

