

HINGE TYPE OFFSET DISK HARROW

GNL 20/24/28/32/36/42D - 32/36/42D PA

Code: 0501091221
Series: S-0814
Revision: 00
Date Revision: MARÇO/2022

PARTS CATALOGUE



MARCHESAN



PRODUCTS

Code	Description
0102130581	GNL 20 X 18 X 3,00 CM MT S-0814
0102130579	GNL 20 X 18 X 3,00 DM DR S-0814
0102130627	GNL 20 X 18 X 3,00 DM MT S-0814
0102130537	GNL 20 X 18 X 3,00 MA MT S-0814
0102130613	GNL 20 X 20 X 3,5 CM MT S-0814
0102130538	GNL 20 X 20 X 3,5 DM MT S-0814
0102130657	GNL 20 X 20 X 3,5 DR DM E 1.1/4 S-0814
0102130582	GNL 20 X 22 X 3,5 DM MT S-0814
0102130540	GNL 24 X 18 X 3,00 CM MT S-0814
0102130600	GNL 24 X 18 X 3,00 DM MT S-0814
0102130539	GNL 24 X 18 X 3,00 MA MT S-0814
0102130543	GNL 24 X 20 X 3,50 CM DR S-0814
0102130542	GNL 24 X 20 X 3,50 CM MT S-0814
0102130616	GNL 24 X 20 X 3,50 DM DR S-0814
0102130544	GNL 24 X 20 X 3,50 DM MT S-0814
0102130541	GNL 24 X 20 X 3,50 MA MT S-0814
0102130641	GNL 24 X 20 X 4,50 DM MT S-0814
0102130622	GNL 24 X 22 X 3,50 CM DR S-0814
0102130596	GNL 24 X 22 X 3,50 CM MT S-0814
0102130546	GNL 24 X 22 X 3,50 DM DR S-0814
0102130545	GNL 24 X 22 X 3,50 DM MT S-0814
0102130603	GNL 28 X 18 X 3,00 CM MT S-0814
0102130548	GNL 28 X 20 X 3,50 CM DR S-0814
0102130550	GNL 28 X 20 X 3,50 CM MT S-0814
0102130549	GNL 28 X 20 X 3,50 DM DR S-0814
0102130551	GNL 28 X 20 X 3,50 DM MT S-0814
0102130547	GNL 28 X 20 X 3,50 MA MT S-0814
0102130656	GNL 28 X 20 X 3,50 MT DMO E 1.1/4 S-0814
0102130618	GNL 28 X 20 X 4,00 CM MT S-0814
0102130606	GNL 28 X 20 X 4,50 CM MT S-0814

ATTENTION: IMPORTANT

Marchesan S.A. reserves the right to improve and/or modify the technical features of its products, without obligation to do the same with those products already sold and without prior knowledge of the dealer or the consumer. The photos are only illustrative.



PRODUCTS

0102130639	GNL 28 X 20 X 4,50 DM MT S-0814
0102130599	GNL 28 X 22 X 3,50 CM DR S-0814
0102130552	GNL 28 X 22 X 3,50 CM MT S-0814
0102130554	GNL 28 X 22 X 3,50 DM DR S-0814
0102130553	GNL 28 X 22 X 3,50 DM MT S-0814
0102130640	GNL 28 X 22 X 4,50 CM MT S-0814
0102130617	GNL 28 X 22 X 4,50 DM MT S-0814
0102130592	GNL 32 X 18 X 3,00 DM MT S-0814
0102130557	GNL 32 X 20 X 3,50 CM DR S-0814
0102130556	GNL 32 X 20 X 3,50 CM MT S-0814
0102130595	GNL 32 X 20 X 3,50 DM DR PA S-0814
0102130580	GNL 32 X 20 X 3,50 DM DR S-0814
0102130558	GNL 32 X 20 X 3,50 DM MT S-0814
0102130572	GNL 32 X 20 X 3,50 DM MT PA S-0814
0102130555	GNL 32 X 20 X 3,50 MA MT S-0814
0102130609	GNL 32 X 20 X 4,50 CM MT S-0814
0102130594	GNL 32 X 22 X 3,50 CM DR S-0814
0102130559	GNL 32 X 22 X 3,50 CM MT S-0814
0102130561	GNL 32 X 22 X 3,50 DM DR S-0814
0102130610	GNL 32 X 22 X 3,50 DM DR PA S-0814
0102130560	GNL 32 X 22 X 3,50 DM MT S-0814
0102130643	GNL 32 X 22 X 3,50 DM MT PA S-0814
0102130589	GNL 32 X 22 X 3,50 MA MT S-0814
0102130576	GNL 32 X 22 X 4,50 CM DR S-0814
0102130586	GNL 32 X 22 X 4,50 CM MT S-0814
0102130621	GNL 32 X 22 X 4,50 DM DR S-0814
0102130644	GNL 32 X 22 X 4,50 DM DR PA S-0814
0102130578	GNL 32 X 22 X 4,50 DM MT S-0814
0102130660	GNL 32 X 22 X 4,50 DR CM PA E 1.1/4 S-0814
0102130623	GNL 36 X 18 X 3,00 CM DR S-0814
0102130638	GNL 36 X 18 X 3,50 CM MT S-0814

ATTENTION: IMPORTANT

Marchesan S.A. reserves the right to improve and/or modify the technical features of its products, without obligation to do the same with those products already sold and without prior knowledge of the dealer or the consumer. The photos are only illustrative.



PRODUCTS

0102130563	GNL 36 X 20 X 3,50 CM DR	S-0814
0102130562	GNL 36 X 20 X 3,50 CM MT	S-0814
0102130598	GNL 36 X 20 X 3,50 DM DR PA	S-0814
0102130585	GNL 36 X 20 X 3,50 DM DR	S-0814
0102130564	GNL 36 X 20 X 3,50 DM MT	S-0814
0102130573	GNL 36 X 20 X 3,50 DM MT PA	S-0814
0102130612	GNL 36 X 20 X 4,50 DM DL	S-0814
0102130584	GNL 36 X 20 X 4,50 DM MT	S-0814
0102130593	GNL 36 X 22 X 3,50 CM DR PA	S-0814
0102130583	GNL 36 X 22 X 3,50 CM DR	S-0814
0102130565	GNL 36 X 22 X 3,50 CM MT	S-0814
0102130642	GNL 36 X 22 X 3,50 CM MT PA	S-0814
0102130567	GNL 36 X 22 X 3,50 DM DR	S-0814
0102130597	GNL 36 X 22 X 3,50 DM DR PA	S-0814
0102130566	GNL 36 X 22 X 3,50 DM MT	S-0814
0102130628	GNL 36 X 22 X 3,50 DM MT PA	S-0814
0102130624	GNL 36 X 22 X 4,50 CM DR	S-0814
0102130588	GNL 36 X 22 X 4,50 CM MT	S-0814
0102130626	GNL 36 X 22 X 4,50 DM DL	S-0814
0102130605	GNL 36 X 22 X 4,50 DM DR	S-0814
0102130614	GNL 36 X 22 X 4,50 DM MT PA	S-0814
0102130577	GNL 36 X 22 X 4,50 DM MT	S-0814
0102130661	GNL 36 X 22 X 4,50 DR CM PA E 1.1/4	S-0814
0102130591	GNL 42 X 20 X 3,50 CM DR	S-0814
0102130568	GNL 42 X 20 X 3,50 CM MT	S-0814
0102130637	GNL 42 X 20 X 3,50 DM DL PA	S-0814
0102130625	GNL 42 X 20 X 3,50 DM DR PA	S-0814
0102130602	GNL 42 X 20 X 3,50 DM DR	S-0814
0102130569	GNL 42 X 20 X 3,50 DM MT	S-0814
0102130574	GNL 42 X 20 X 3,50 DM MT PA	S-0814
0102130608	GNL 42 X 20 X 4,00 DM MT	S-0814

ATTENTION: IMPORTANT

Marchesan S.A. reserves the right to improve and/or modify the technical features of its products, without obligation to do the same with those products already sold and without prior knowledge of the dealer or the consumer. The photos are only illustrative.



PRODUCTS

0102130611	GNL 42 X 22 X 3,5 DM DR	S-0814
0102130575	GNL 42 X 22 X 3,50 CM DL	S-0814
0102130587	GNL 42 X 22 X 3,50 CM DR	S-0814
0102130570	GNL 42 X 22 X 3,50 CM MT	S-0814
0102130619	GNL 42 X 22 X 3,50 CM MT PA	S-0814
0102130601	GNL 42 X 22 X 3,50 DM DR PA	S-0814
0102130571	GNL 42 X 22 X 3,50 DM MT	S-0814
0102130615	GNL 42 X 22 X 3,50 DM MT PA	S-0814
0102130630	GNL 42 X 22 X 4,50 CM DR	S-0814
0102130620	GNL 42 X 22 X 4,50 CM DR PA	S-0814
0102130604	GNL 42 X 22 X 4,50 CM MT	S-0814
0102130590	GNL 42 X 22 X 4,50 DM DR	S-0814
0102130607	GNL 42 X 22 X 4,50 DM MT	S-0814
0102130629	GNL 42 X 22 X 4,50 DM MT PA	S-0814

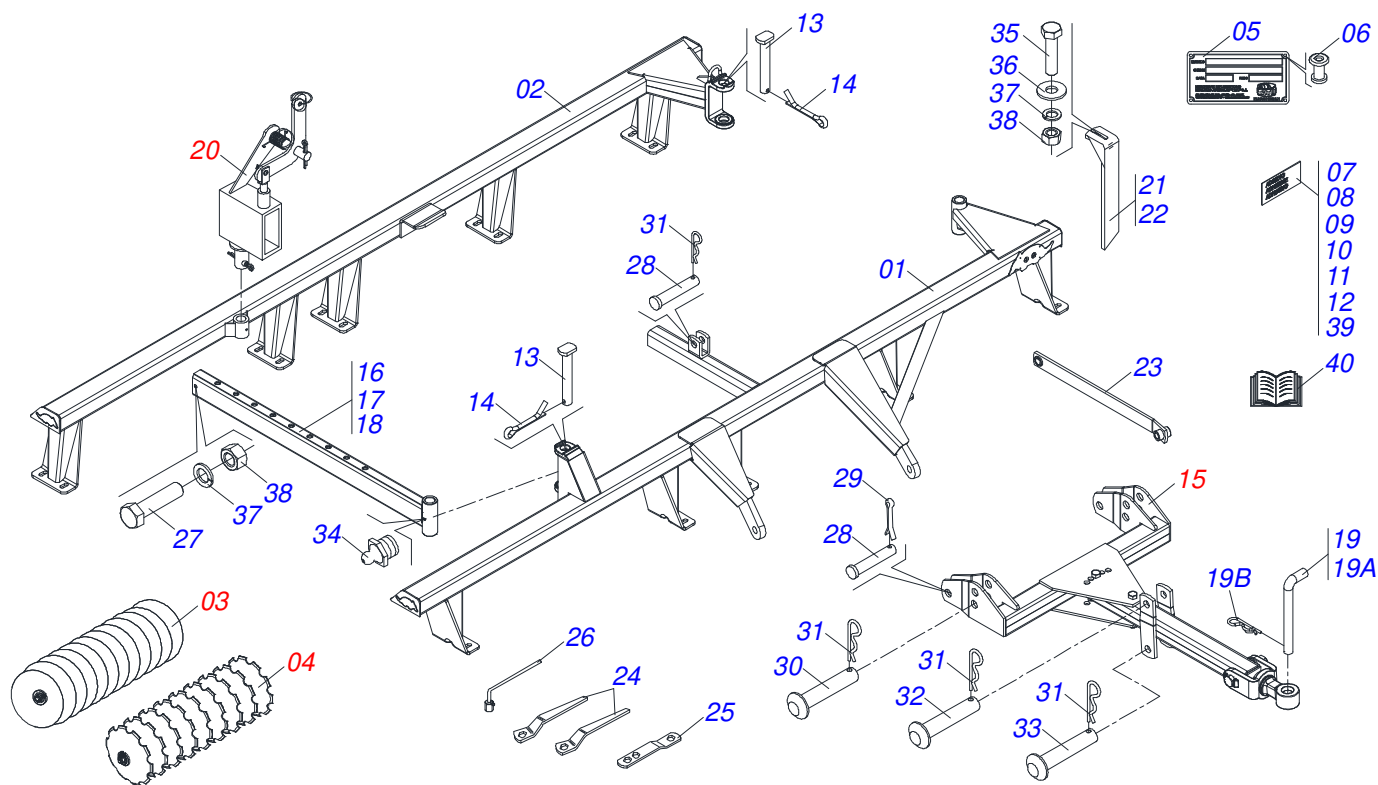
ATTENTION: IMPORTANT

Marchesan S.A. reserves the right to improve and/or modify the technical features of its products, without obligation to do the same with those products already sold and without prior knowledge of the dealer or the consumer. The photos are only illustrative.



INDEX

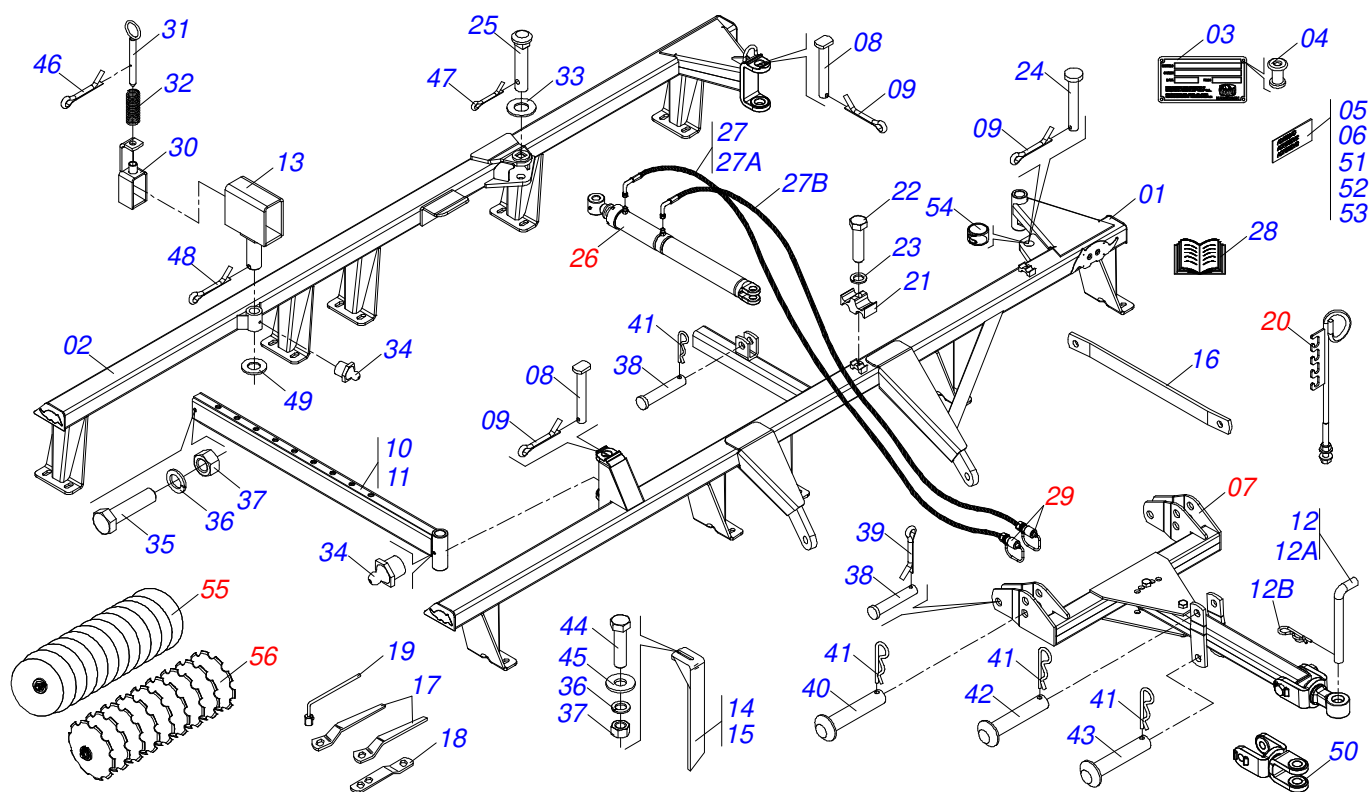
0909091766	20/24/28/32/36/42D - FRAME ASSY	1
0909091769	32/36/42D PA - FRAME ASSY	2
0501043381	DRAWBAR ASSY	3
0501043278	ADJUSTMENT ASSY	4
0501040257	3/4 X 1200 HOSE HOLDER A	5
0501053834	MALE QUICK COUPLER	6
0521044668	HYDRAULIC CYLINDER Ø44,45XØ76,20X990X165	7
0511058458	HYDRAULIC CYLINDER 44,45 X 76,20 X 990 X 165	8
0909091768	REAR GANG DISC	9
0909091767	FRONT GANG DISC	10
0501040130	FRICION BEARING	11
0501046920	1-1/4"BATH BEARING	12
0501046911	CM GX 7" 1-1/4" PR BEARING ASSY	13
0521047188	AGRICULTURAL BEARING DMO 182 X 1.1/4 WITH SUPPORT WITH PROTECTION	14
0521050841	AGRICULTURAL BEARING DMO 182 X 1.1/4 IMPORTED	15



Item	Code	Description	See page	20	24	28	32	36	42
01	0521065350	FRAME FRONT		01	00	00	00	00	00
01.	0521065348	FRAME FRONT		00	01	00	00	00	00
01..	0521065346	FRAME FRONT		00	00	01	00	00	00
01...	0521065335	FRAME FRONT		00	00	00	01	00	00
01....	0521065337	FRAME FRONT		00	00	00	00	01	00
01.....	0521065339	FRAME FRONT		00	00	00	00	00	01
02	0521065351	FRAME REAR		01	00	00	00	00	00
02.	0521065349	FRAME REAR		00	01	00	00	00	00
02..	0521065347	FRAME REAR		00	00	01	00	00	00
02...	0521065334	FRAME REAR		00	00	00	01	00	00
02....	0521065336	FRAME REAR		00	00	00	00	01	00
02.....	0521065338	FRAME REAR		00	00	00	00	00	01
03	0909091768	REAR GANG DISC	9	01	01	01	01	01	01
04	0909091767	FRONT GANG DISC	10	01	01	01	01	01	01
05	0503034003	SERIAL NUMBER TAG 61 X 118		01	01	01	01	01	01
06	0503010001	3.2 X 5.5 RIVET		04	04	04	04	04	04
07	0503034057	ADHESIVE LABELS		01	01	01	01	01	01
08	0503035341	ADHESIVE LABEL		01	01	01	01	01	01
09	0503031428	READ MANUAL DECAL		01	01	01	01	01	01
10	0503031087	ADHESIVE LABEL		01	01	01	01	01	01
11	0503034438	ADHESIVE LABEL		01	01	01	01	01	01
12	0503031827	LUBRICATE AND RETIGHTEN DAILY DECAL		01	01	01	01	01	01
13	0521010644	1.5" X 8.4" COUPLING SHAFT		02	02	02	02	02	02
14	0503010534	3/8 X 2-1/2 COTTERPIN		02	02	02	02	02	02
15	0501043381	DRAWBAR ASSY	3	01	01	01	01	01	01
16	0501065297	1445 ADJUSTMENT BAR		01	01	00	00	00	00
17	0501065295	1945 ADJUSTMENT BAR		00	00	01	01	00	00
18	0501065296	2245 ADJUSTMENT BAR		00	00	00	00	01	01
19	0501040343	DRAWBOLT ASSY		01	01	01	01	01	01
19A	0521010453	AXI SHAFT		01	01	01	01	01	01
19B	0503031035	HITCH PIN CLIP		01	01	01	01	01	01



Item	Code	Description	See page	20	24	28	32	36	42
20	0501043278	ADJUSTMENT ASSY	4	01	01	01	01	01	01
21	0501063963	FRONT SCRAPER		07	08	10	11	13	15
22	0501063962	REAR SCRAPER		07	08	10	11	13	15
23	0521063407	FRENCH HAND		01	01	01	01	01	01
24	0501010198	1-1/4" CABLE FLAT WRENCH		02	02	02	02	02	02
25	0511018451	5/8" X 3/4" X 1" UNIVERSAL		01	01	01	01	01	01
26	0501068273	5/8" WRENCH		01	01	01	01	01	01
27	0503010741	1/2" X 2-3/4" BOLT		01	01	01	01	01	01
28	0521010592	1.1" X 3.1" COUPLING SHAFT		03	03	03	03	03	03
29	0503010571	1/4" X 1.1/2 COTTERPIN		02	02	02	02	02	02
30	0521010593	1.1" X 3.9" COUPLING SHAFT		02	02	02	02	02	02
31	0503031035	HITCH PIN CLIP		05	05	05	05	05	05
32	0521010580	COUPLING SHAFT		01	01	01	01	01	01
33	0521010581	0.9" X 4.9" COUPLING SHAFT		01	01	01	01	01	01
34	0503010002	1800 GREASE FITTING		03	03	03	03	03	03
35	0503011082	C1/2" X 1.3/4" SCREW		28	32	40	44	52	60
36	0511017302	FLAT WASHER		28	32	40	44	52	60
37	0503010019	1/2" SPRING WASHER		29	33	41	45	53	61
38	0503010060	1/2" NUT		29	33	41	45	53	61
39	0503035341	ADHESIVE LABEL		01	01	01	01	01	01
40	0501030439	BAG WITH INSTRUCTION MANUAL		01	01	01	01	01	01



Item	Code	Description	See page	32	36	42
01	0521065344	FRAME FRONT		01	00	00
01.	0521065342	FRAME FRONT		00	01	00
01..	0521065340	FRAME FRONT		00	00	01
02	0521065345	FRAME REAR		01	00	00
02.	0521065343	FRAME REAR		00	01	00
02..	0521065341	FRAME REAR		00	00	01
03	0503034003	SERIAL NUMBER TAG 61 X 118		01	01	01
04	0503010001	3.2 X 5.5 RIVET		04	04	04
05	0503031428	READ MANUAL DECAL		01	01	01
06	0503031087	ADHESIVE LABEL		01	01	01
07	0501043381	DRAWBAR ASSY	3	01	01	01
08	0521010644	1.5" X 8.4" COUPLING SHAFT		02	02	02
09	0503010534	3/8 X 2-1/2 COTTERPIN		03	03	03
10	0501065295	1945 ADJUSTMENT BAR		01	00	00
11	0501065296	2245 ADJUSTMENT BAR		00	01	01
12	0501040343	DRAWBOLT ASSY		01	01	01
12A	0521010453	AXI SHAFT		01	01	01
12B	0503031035	HITCH PIN CLIP		01	01	01
13	0521065232	BAR GUIDE ESTABILIZER PA		01	01	01
14	0501063963	FRONT SCRAPER		11	13	15
15	0501063962	REAR SCRAPER		11	13	15
16	0521063407	FRENCH HAND		01	01	01
17	0501010198	1-1/4" CABLE FLAT WRENCH		02	02	02
18	0511018451	5/8" X 3/4" X 1" UNIVERSAL		01	01	01
19	0501068273	5/8" WRENCH		01	01	01
20	0501040257	3/4 X 1200 HOSE HOLDER A	5	01	01	01
21	0502012702	BODY SUPPORT CLAMP		02	02	02
22	0503012555	SCREW 7/16 UNC X 2 CS RT G.7 ZN		02	02	02
23	0503010180	7/16" SPRING WASHER		02	02	02
24	0521012538	1.2" X 3.5" COUPLING SHAFT		01	01	01
25	0521013077	1.2" X 5.7" PIVOT SHAFT		01	01	01

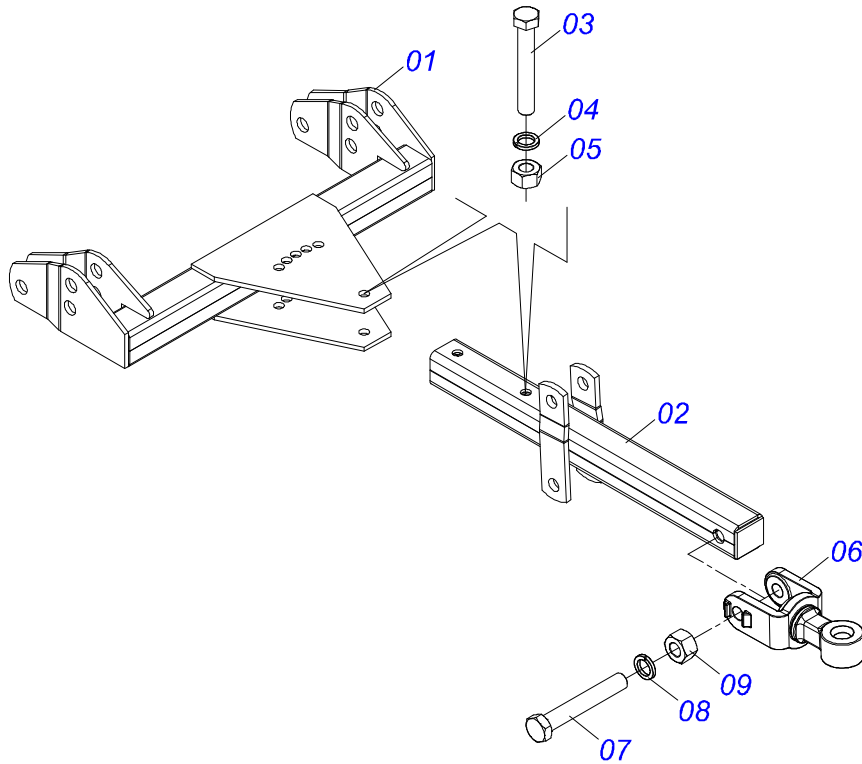


32/36/42D PA - FRAME ASSY

0909091769

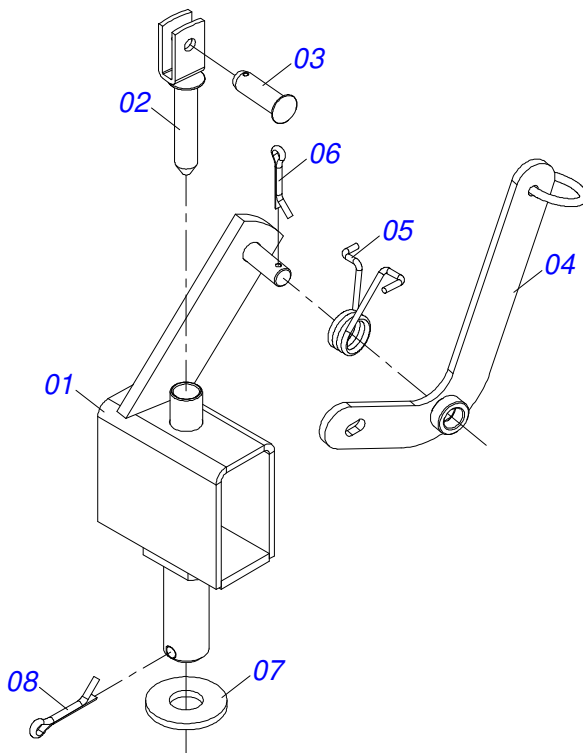
Item	Code	Description	See page	32	36	42
26	0521044668	HYDRAULIC CYLINDER Ø44,45XØ76,20X990X165	7	01	01	01
26.	0511058458	HYDRAULIC CYLINDER 44,45 X 76,20 X 990 X 165	8	01	01	01
27	0511056370	HOSES GAME		01	01	01
27A	0501081551	HOSE		01	01	01
27B	0501080366	HOSE 3/8 TC-TM 4800		01	01	01
28	0501030439	BAG WITH INSTRUCTION MANUAL		01	01	01
29	0501053834	MALE QUICK COUPLER	6	02	02	02
30	0521065233	BOX LIMITER COURSE		01	01	01
31	0521065234	AXLE LOCK BAR ADJUSTMENT		01	01	01
32	0503034060	COMPRESSION SPRING		01	01	01
33	0551019529	FLAT WASHER		01	01	01
34	0503010002	1800 GREASE FITTING		04	04	04
35	0503010741	1/2" X 2-3/4" BOLT		01	01	01
36	0503010019	1/2" SPRING WASHER		45	53	61
37	0503010060	1/2" NUT		45	53	61
38	0521010592	1.1" X 3.1" COUPLING SHAFT		03	03	03
39	0503010571	1/4" X 1.1/2 COTTERPIN		02	02	02
40	0521010593	1.1" X 3.9" COUPLING SHAFT		02	02	02
41	0503031035	HITCH PIN CLIP		05	05	05
42	0521010580	COUPLING SHAFT		01	01	01
43	0521010581	0.9" X 4.9" COUPLING SHAFT		01	01	01
44	0503011082	C1/2" X 1.3/4" SCREW		44	52	60
45	0511017302	FLAT WASHER		44	52	60
46	0503010131	3/16" X 1-1/2" COTTERPIN		01	01	01
47	0503010523	1/4" X 2" COTTERPIN		01	01	01
48	0503010073	3/8 X 3-1/2 COTTERPIN		01	01	01
49	0501012916	FLAT WASHER 38,50 X 66 X 4,75 ZN		01	01	01
50	0501060190	TRACTOR HITCH		01	01	01
51	0503034057	ADHESIVE LABELS		01	01	01
52	0503035341	ADHESIVE LABEL		01	01	01
53	0503034438	ADHESIVE LABEL		01	01	01
54	0511019920	SLEEVE 32,70 X 38,80 X 25,40		01	01	01
55	0909091768	REAR GANG DISC	9	01	01	01
56	0909091767	FRONT GANG DISC	10	01	01	01

DRAWBAR ASSY

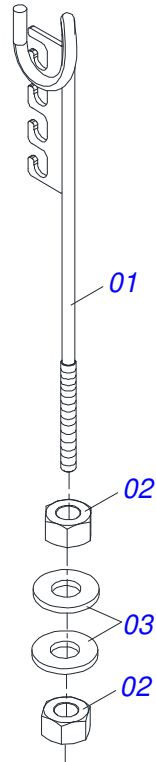


Item	Code	Description	See page	QT
001	0501065004	OFFSET BAR		01
002	0501060670	DRAWBAR ASSY		01
003	0503011084	3/4" X 5" BOLT		02
004	0503011442	3/4" SPRING WASHER		02
005	0503010014	3/4" NUT		02
006	0521061775	TRACTOR HITCH		01
007	0501010060	1" X 6-1/2" BOLT		01
008	0503011438	SPRING WASHER		01
009	0501010059	1.5/8 NUT		01

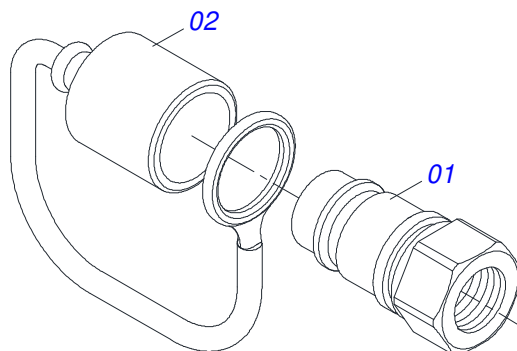
ADJUSTMENT ASSY



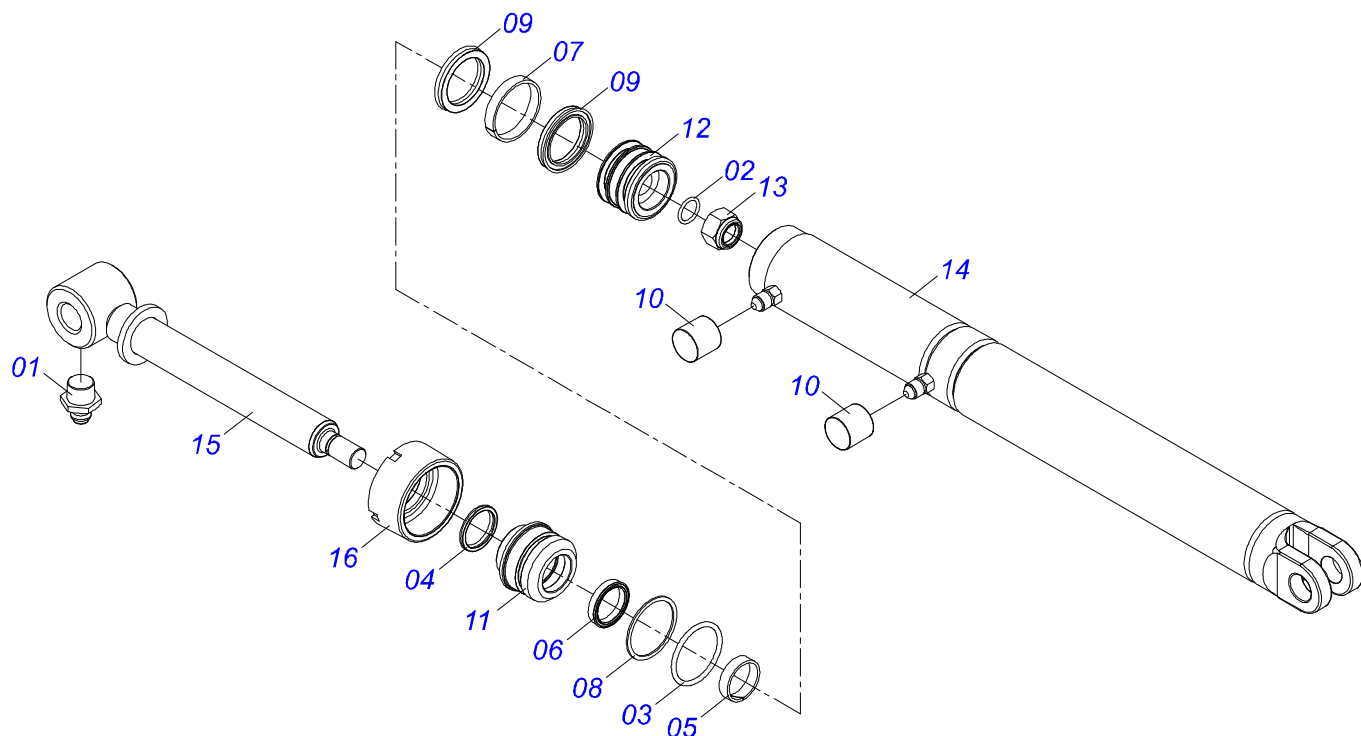
Item	Code	Description	See page	QT
01	0501063302	ADJUSTMENT		01
02	0501063078	ADJUSTMENT LOCK		01
03	0521010624	0.4" X 1.5" COUPLING SHAFT		01
04	0501068981	ADJUSTMENT LEVER		01
05	0503030025	1.4" X 0.2" TORSION SPRING		01
06	0503010071	3/16" X 1" COTTERPIN		02
07	0501012916	FLAT WASHER 38,50 X 66 X 4,75 ZN		01
08	0503010073	3/8 X 3-1/2 COTTERPIN		01



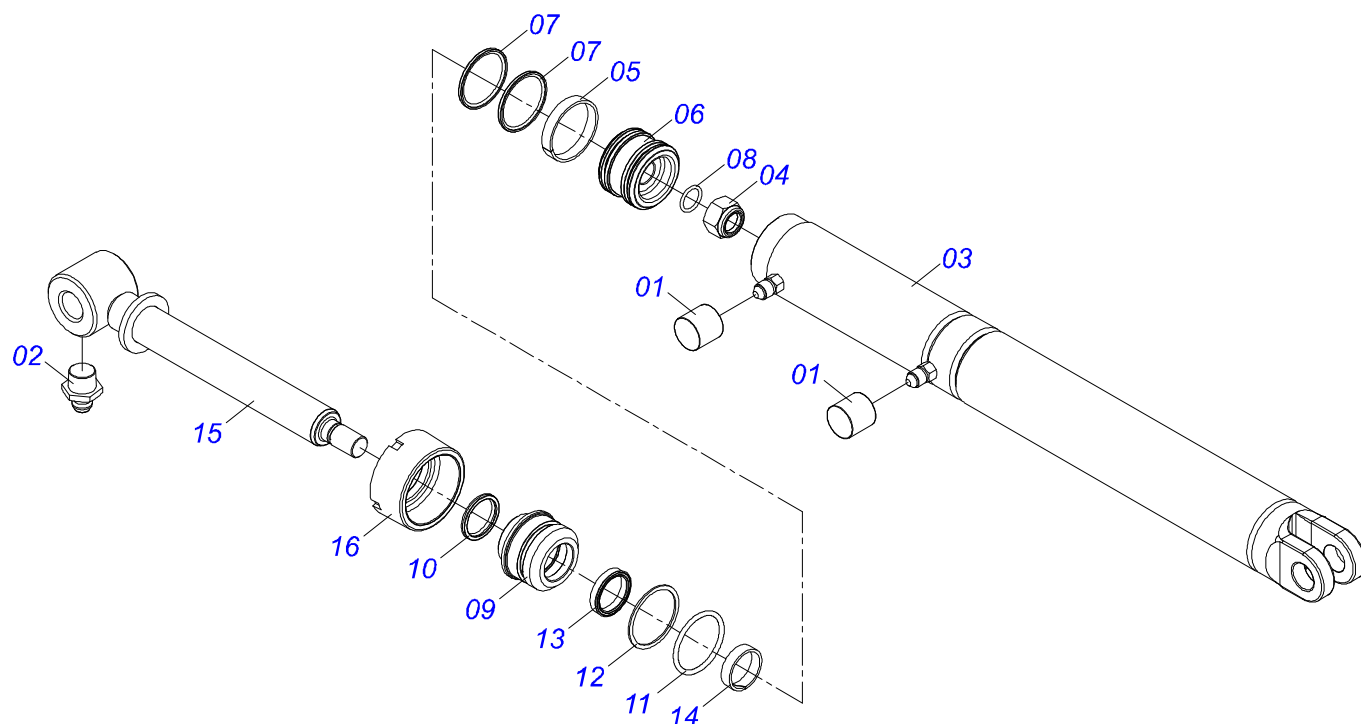
Item	Code	Description	See page	QT
01	0511067334	HOSE SUPPORT		01
02	0503010014	3/4" NUT		02
03	0501010322	FLAT WASHER		02



Item	Code	Description	See page	QT
01	0503011627	MALE QUICK COUPLER AGR 1/2 NPT		01
02	0503011882	MALE QUICK COUPLER CAP		01

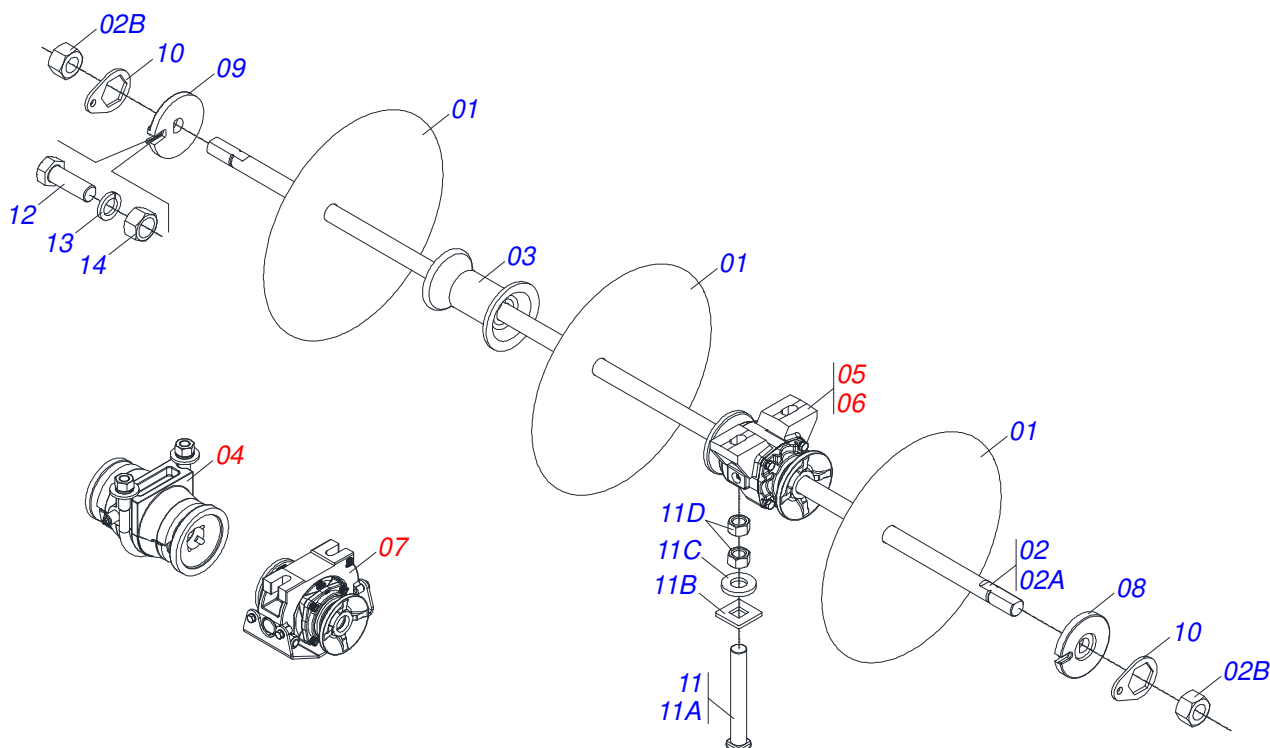


Item	Code	Description	See page	QT
01	0503010002	1800 GREASE FITTING		01
02	0503010042	2-214 N 3006-9B O'RING		01
03	0503010343	2-334 N 3006-9B O'RING		01
04	0503010761	D-1750 SCRAPER RING		01
05	0503010949	W2-2000-500 PK RING G.E		01
06	0503010990	GASKET		01
07	0503010992	W2-3000-500 PK RING G.E		01
08	0503011059	8-334 BACK-UP RING		01
09	0503012768	3750-2250 GASKET		02
10	0503030385	CYLINDER PLUG N-002		02
11	0502011897	RING SUPPORT		01
12	0502011898	1.8" X 3.0" PISTON		01
13	0503010063	1" SELF-ALIGNING NUT		01
14	0521065231	CYLINDER CASE		01
15	0521065230	TURNBUCLE		01
16	0502011899	MOBILE COVER		01



Item	Code	Description	See page	QT
001	0503030385	CYLINDER PLUG N-002		02
002	0503010002	1800 GREASE FITTING		01
003	0521065231	CYLINDER CASE		01
004	0503010063	1" SELF-ALIGNING NUT		01
005	0503018140	RING GUIDE		01
006	0581010304	PISTON		01
007	0503018138	RING BS		02
008	0503010042	2-214 N 3006-9B O'RING		01
009	0581010301	RING SUPPORT		01
010	0503010761	D-1750 SCRAPER RING		01
011	0503010343	2-334 N 3006-9B O'RING		02
012	0503011059	8-334 BACK-UP RING		02
013	0503017937	GASKET		01
014	0503017938	RING GUIDE		01
015	0521065230	TURNBUCLE		01
016	0502011899	MOBILE COVER		01

REAR GANG DISC



Item	Code	Description	See page	20	24	28	32	36	42
01	0601025115	DL18X3 C44AF02FR33,33 EZZE-ON		08	10	12	14	16	19
01.	0601023131	DL16X3 C35AF02FR1.5/16 TATU		02	02	02	02	02	02
01..	0601029418	DL 22 X 3,5 C64AF02FR1.5/16 D126		08	10	12	14	16	19
01...	0601027301	DL 20 X 3,5 C57AF02FR1.5/16		02	02	02	02	02	02
01....	0601027305	DL20X4 C57AF02FR1.5/16		08	10	12	14	16	19
01.....	0601027304	DL 20 X 4,5 C57AF02FR1.5/16		08	10	12	14	16	19
01.....	0601025251	DL 18 X 3,5 C45AF02FR1.5/16		08	10	12	14	16	19
01.....	0601029417	DL 22 X 4,5 C64AF02FR1.5/16		08	10	12	14	16	19
02	0501040694	1-1/4" X 66" AXLE WITH NUTS		01	00	00	00	00	00
02.	0501040253	1-1/4" X 80" AXLE WITH NUTS		00	01	00	00	00	01
02..	0501041160	1-1/4" X 93.5" AXLE WITH NUTS		00	00	01	00	00	00
02...	0501040695	1-1/4" X 52" AXLE WITH NUTS		00	00	00	02	00	00
02....	0501040696	1-1/4" X 59" AXLE WITH NUTS		00	00	00	00	02	01
02A	0501010439	1-1/4" X 66" AXLE		01	00	00	00	00	00
02A.	0501010440	1-1/4" X 80" AXLE		00	01	00	00	00	00
02A..	0501012749	1-1/4" X 93.5" AXLE		00	00	01	00	00	00
02A...	0501010437	1-1/4" X 52" AXLE		00	00	00	01	00	00
02A....	0501010438	1-1/4" X 59" AXLE		00	00	00	00	02	02
02B	0501010087	1.1/4" NUT		02	02	02	04	04	04
03	0502020068	6.57" SPACER		07	08	10	10	12	14
04	0501040130	FRICITION BEARING	11	02	03	03	04	04	05
05	0501046911	CM GX 7" 1-1/4" PR BEARING ASSY	13	02	03	03	04	04	05
06	0501046920	1-1/4" BATH BEARING	12	02	03	03	04	04	05
07	0521047188	AGRICULTURAL BEARING DMO 182 X 1.1/4 WITH SUPPORT WITH PROTECTION	14	02	03	03	04	04	05
08	0502010834	1-1/4" INNER AXLE WASHER		01	01	01	02	02	02
09	0502010835	1-1/4" EXTERNAL AXLE WASHER		01	01	01	02	02	02
10	0501010455	1.1/4" NUT LOCK		02	02	02	04	04	04
11	0501058802	5/8 UNC X 2.3/4 BOLT ASSY		04	06	06	08	08	10
11A	0503015154	5/8" X 2.3/4" BOLT		04	06	06	08	08	10
11B	0501010947	5/8 NUT LOCK		04	06	06	08	08	10
11C	0501012140	FLAT WASHER		04	06	06	08	08	10

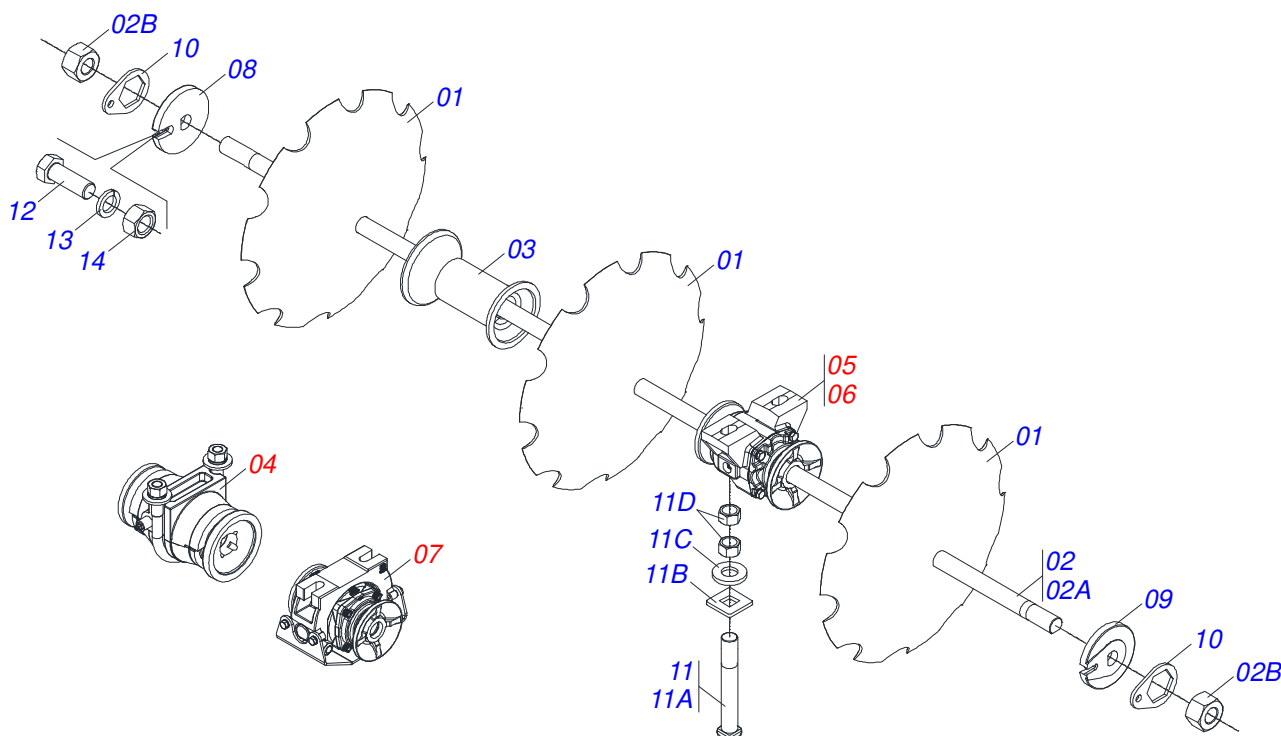


REAR GANG DISC

0909091768

Item	Code	Description	See page	20	24	28	32	36	42
11D	0503010013	5/8" NUT		08	12	12	16	16	20
12	0503010395	1/2" X 1-1/4" BOLT		02	02	02	04	04	04
13	0503010019	1/2" SPRING WASHER		02	02	02	04	04	04
14	0503010060	1/2" NUT		02	02	02	04	04	04

FRONT GANG DISC



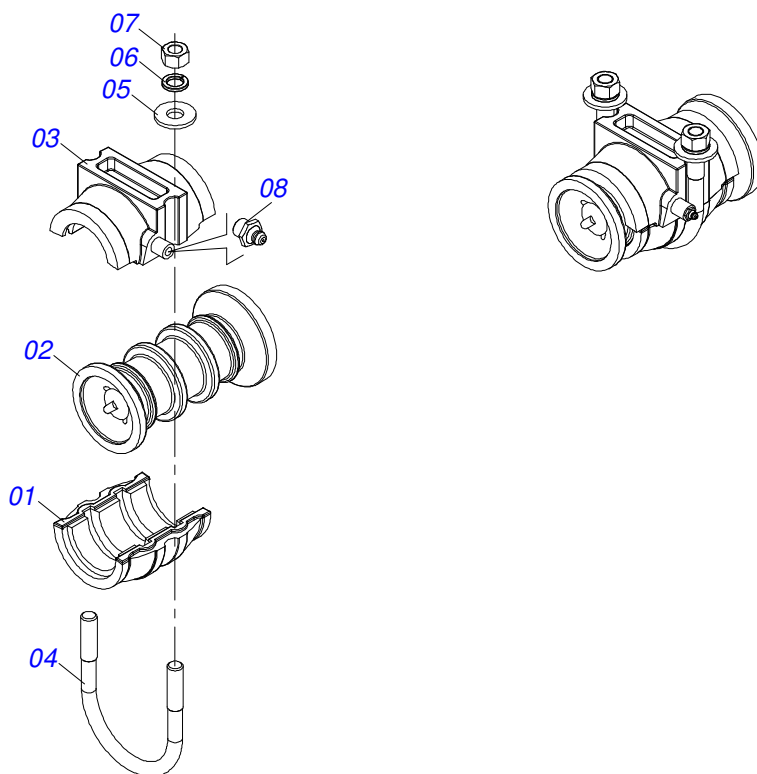
Item	Code	Description	See page	20	24	28	32	36	42
01	0602025002	18" X 0.2" NOTCHED DISC BLADE		10	12	14	16	18	21
01.	0602027002	20" X 0.2" NOTCHED DISC BLADE		10	12	14	16	18	21
01..	0602029384	22" X 3.5MM NOTCHED DISC BLADE		10	12	14	16	18	21
01...	0602029417	DR22X4 C64AF02FR1.5/16 10REC		10	12	14	16	18	21
01....	0602027354	DR20X4		10	12	14	16	18	21
01.....	0602027342	DR 20 X 4,5 C57AF02FR1.5/16 10R		10	12	14	16	18	21
01.....	0602029421	DR 22 X 4,5 C64AF02FR1.5/16 10R		10	12	14	16	18	21
01.....	0602027340	DR 20 X 3,5 C57AF02FR1.5/16 10R		20	24	28	32	36	42
01.....	0602025259	DR 18 X 3 C45AF02FR1.5/16 9R		20	24	28	32	36	42
02	0501040694	1-1/4" X 66" AXLE WITH NUTS		01	00	00	00	00	00
02.	0501040253	1-1/4" X 80" AXLE WITH NUTS		00	01	00	00	00	01
02..	0501041160	1-1/4" X 93.5" AXLE WITH NUTS		00	00	01	00	00	00
02...	0501040695	1-1/4" X 52" AXLE WITH NUTS		00	00	00	02	00	00
02....	0501040696	1-1/4" X 59" AXLE WITH NUTS		00	00	00	00	02	01
02A	0501010439	1-1/4" X 66" AXLE		01	00	00	00	00	00
02A.	0501010440	1-1/4" X 80" AXLE		00	01	00	00	00	00
02A..	0501012749	1-1/4" X 93.5" AXLE		00	00	01	00	00	00
02A...	0501010437	1-1/4" X 52" AXLE		00	00	00	01	00	00
02A....	0501010438	1-1/4" X 59" AXLE		00	00	00	00	02	01
02B	0501010087	1.1/4" NUT		02	02	02	04	04	04
03	0502020068	6.57" SPACER		07	08	10	10	12	14
04	0501040130	FRICITION BEARING	11	02	03	03	04	04	05
05	0501046920	1-1/4"BATH BEARING	12	02	03	03	04	04	05
06	0501046911	CM GX 7" 1-1/4" PR BEARING ASSY	13	02	03	03	04	04	05
07	0521047188	AGRICULTURAL BEARING DMO 182 X 1.1/4 WITH SUPPORT WITH PROTECTION	14	02	03	03	04	04	05
08	0502010834	1-1/4" INNER AXLE WASHER		01	01	01	02	02	02
09	0502010835	1-1/4" EXTERNAL AXLE WASHER		01	01	01	02	02	02
10	0501010455	1.1/4" NUT LOCK		02	02	02	04	04	04
11	0501058802	5/8 UNC X 2.3/4 BOLT ASSY		04	06	06	08	08	10
11A	0503015154	5/8" X 2.3/4" BOLT		04	06	06	08	08	10
11B	0501010947	5/8 NUT LOCK		04	06	06	08	08	10



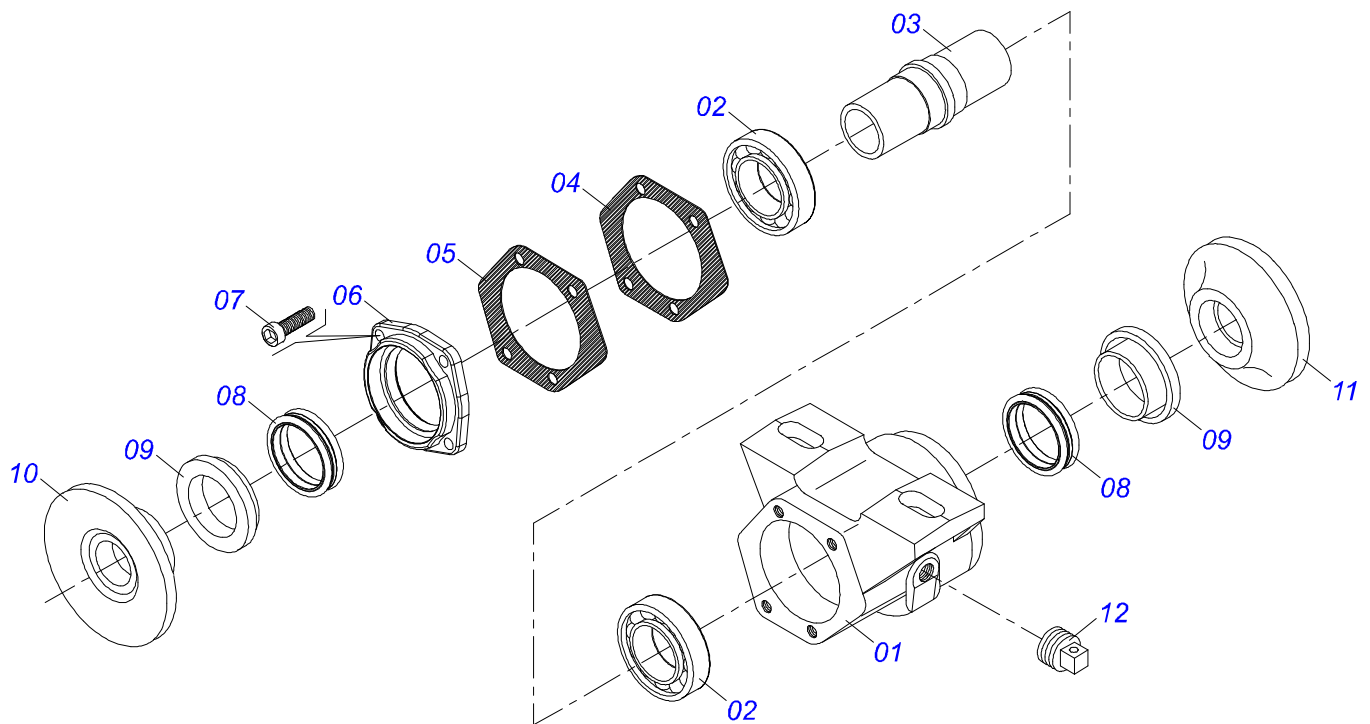
FRONT GANG DISC

0909091767

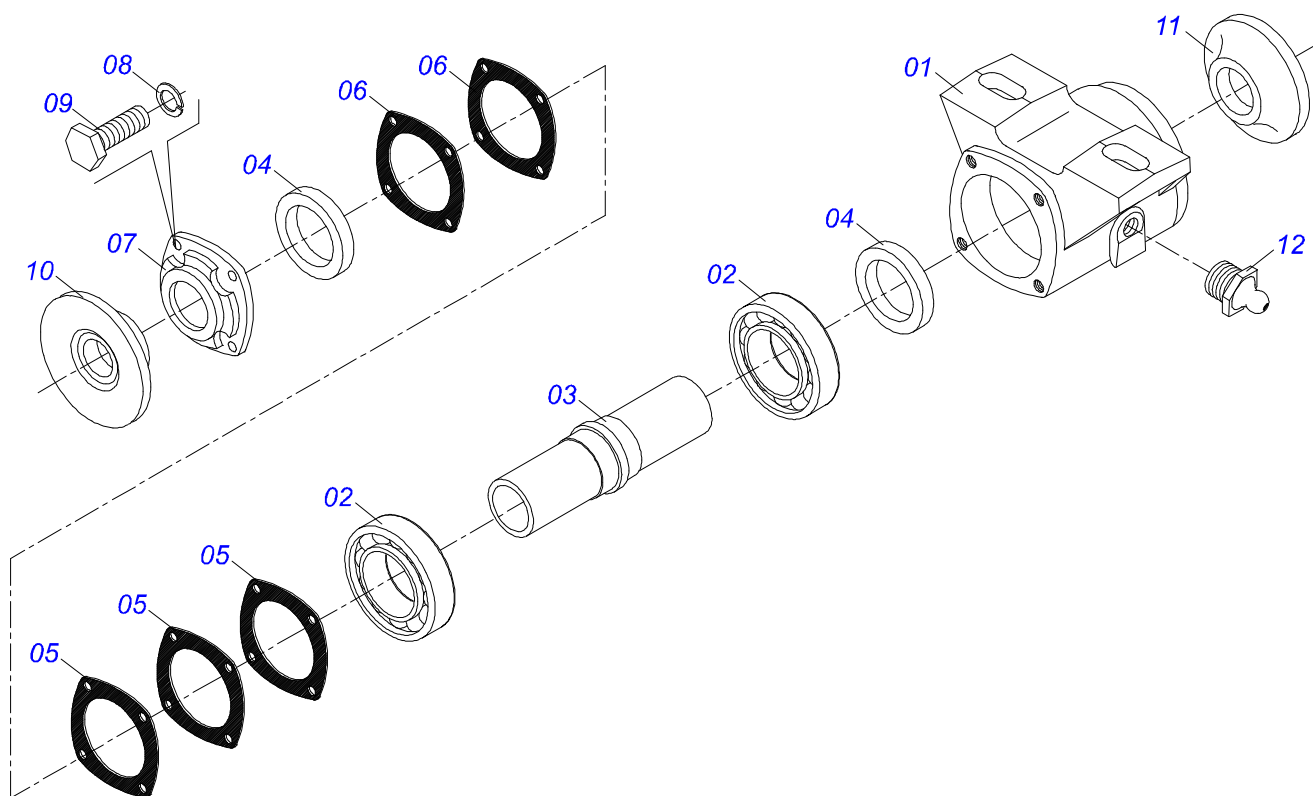
Item	Code	Description	See page	20	24	28	32	36	42
11C	0501012140	FLAT WASHER		04	06	06	08	08	10
11D	0503010013	5/8" NUT		08	12	12	16	16	20
12	0503010395	1/2" X 1-1/4" BOLT		02	02	02	04	04	04
13	0503010019	1/2" SPRING WASHER		02	02	02	04	04	04
14	0503010060	1/2" NUT		02	02	02	04	04	04



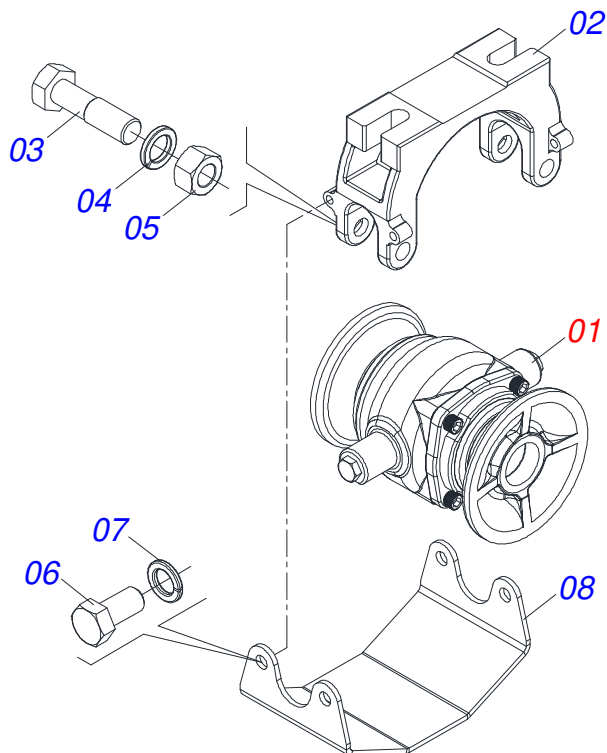
Item	Code	Description	See page	QT
01	0502030006	LOWER COVER HOUSING		01
02	0502030007	REEL		01
03	0502030004	UPPER COVER HOUSING		01
04	0521012326	5/8 UNC X 138 X 117 FASTENER		01
05	0501012140	FLAT WASHER		02
06	0503010027	5/8" SPRING WASHER		02
07	0503010013	5/8" NUT		02
08	0503010002	1800 GREASE FITTING		01



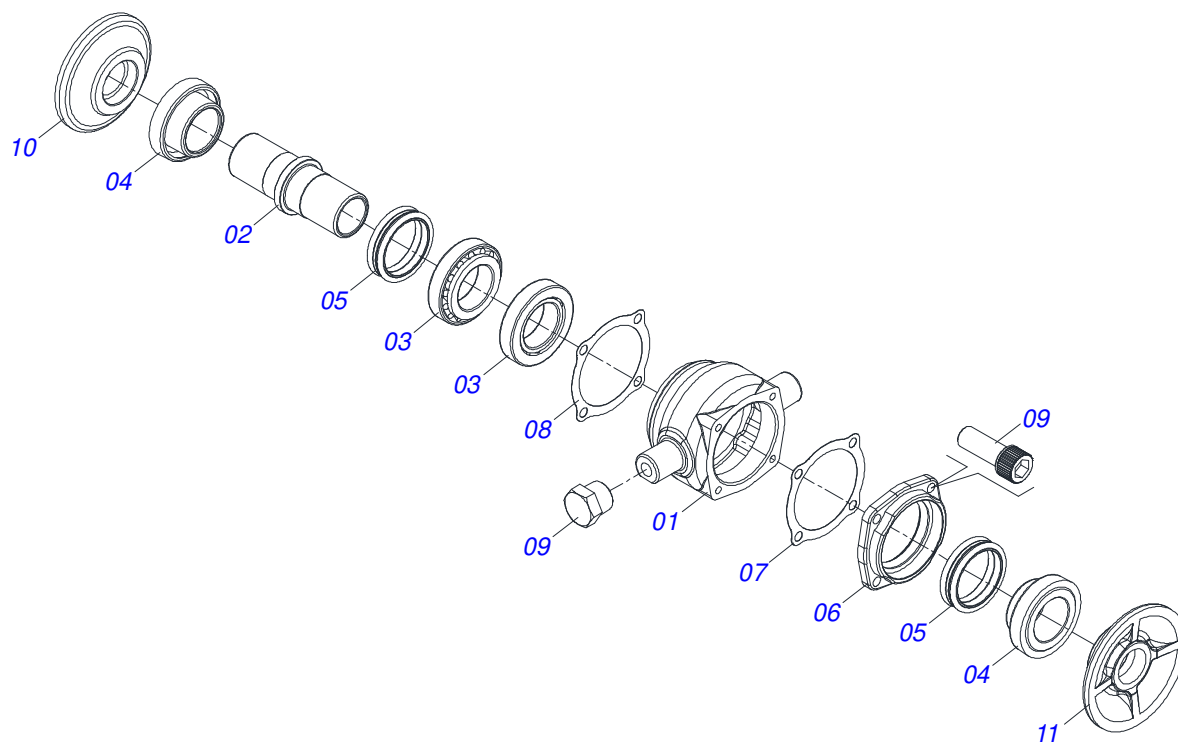
Item	Code	Description	See page	QT
01	0502010540	HOUSING DM		01
02	0503010111	30210 ROLLER BEARING		02
03	0502040218	AXLE		01
04	0503030013	4.4" X 3.5" X 0.004" JOINT		02
05	0503030684	4.4" X 3.5" X 0.004" JOINT		01
06	0502020424	HOUSING CAP		01
07	0503010134	3/8" X 1" BOLT		04
08	0503030026	SEAL LP JB-253		02
09	0502010541	SEAL RETAINER		02
10	0502010073	OUTER FLANGE		01
11	0502010074	INNER FLANGE		01
12	0503010856	OIL PLUG		01



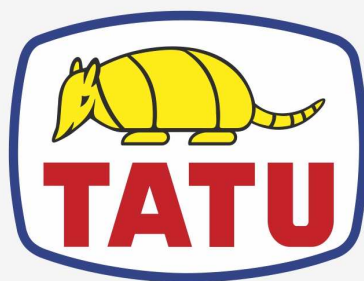
Item	Code	Description	See page	QT
01	0502020313	HOUSING CM		01
02	0503010111	30210 ROLLER BEARING		02
03	0502040218	AXLE		01
04	0503010468	SEAL 01199-GB		02
05	0503030013	4.4" X 3.5" X 0.004" JOINT		03
06	0503030684	4.4" X 3.5" X 0.004" JOINT		02
07	0502020273	HOUSING CAP CM		01
08	0503010025	3/8" SPRING WASHER		04
09	0503010237	3/8" X 1" BOLT		04
10	0502010073	OUTER FLANGE		01
11	0502010074	INNER FLANGE		01
12	0503010002	1800 GREASE FITTING		02



Item	Code	Description	See page	QT
01	0521050841	AGRICULTURAL BEARING DMO 182 X 1.1/4 15 IMPORTED		01
02	0502012854	BEARING SUPPORT		01
03	0501011541	5/8" X 3" BOLT		02
04	0503010027	5/8" SPRING WASHER		02
05	0503010013	5/8" NUT		02
06	0503011334	BOLT 3/8 UNC X 3/4 CS G.5 ZN		04
07	0503010025	3/8" SPRING WASHER		04
08	0581014143	SWIVEL OIL BATH BEARING WEAR PLATE		01



Item	Code	Description	See page	QT
01	0502012839	BEARING HOUSING	01	
02	0502040060	AXLE CM/DM 182/192,5 SKF 32210	01	
03	0503010006	32210 ROLLER BEARING	02	
04	0502010541	SEAL RETAINER	02	
05	0503030026	SEAL LP JB-253	02	
06	0502020424	HOUSING CAP	01	
07	0503030013	4.4" X 3.5" X 0.004" JOINT	02	
08	0503030684	4.4" X 3.5" X 0.004" JOINT	01	
09	0503010134	3/8" X 1" BOLT	04	
10	0502010073	OUTER FLANGE	01	
11	0502010074	INNER FLANGE	01	
12	3402301275	TATU OIL		0,13LT



MARCHESAN

Technical Publications | Elaboration and Revision

LUIZ CANDIDO

www.marchesan.com.br

