

PARTS CATALOGUE



TRANSHIPMENT

Code:

0501091220

Product:

TCA 16000



Series:

S-0312

Revision:

00

Date Revision:

MAIO/2013



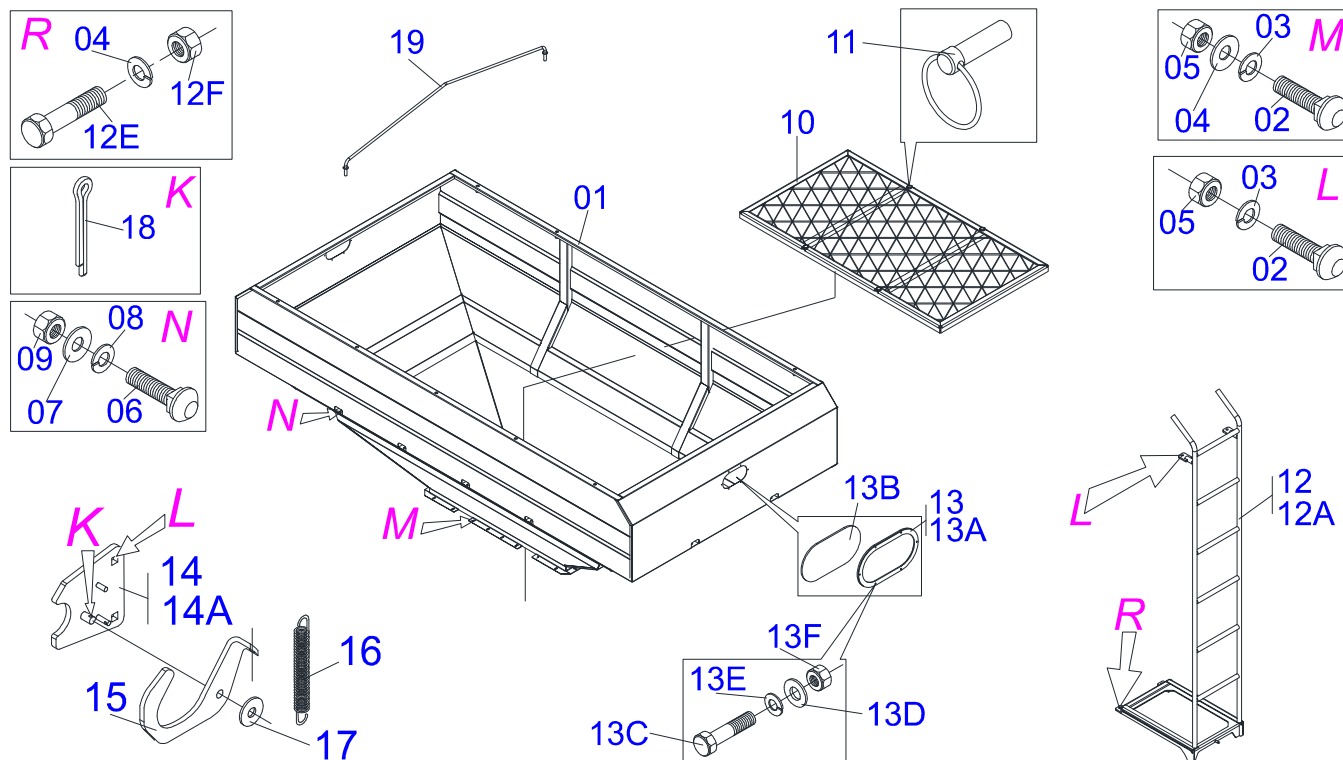
MARCHESAN

INDEX

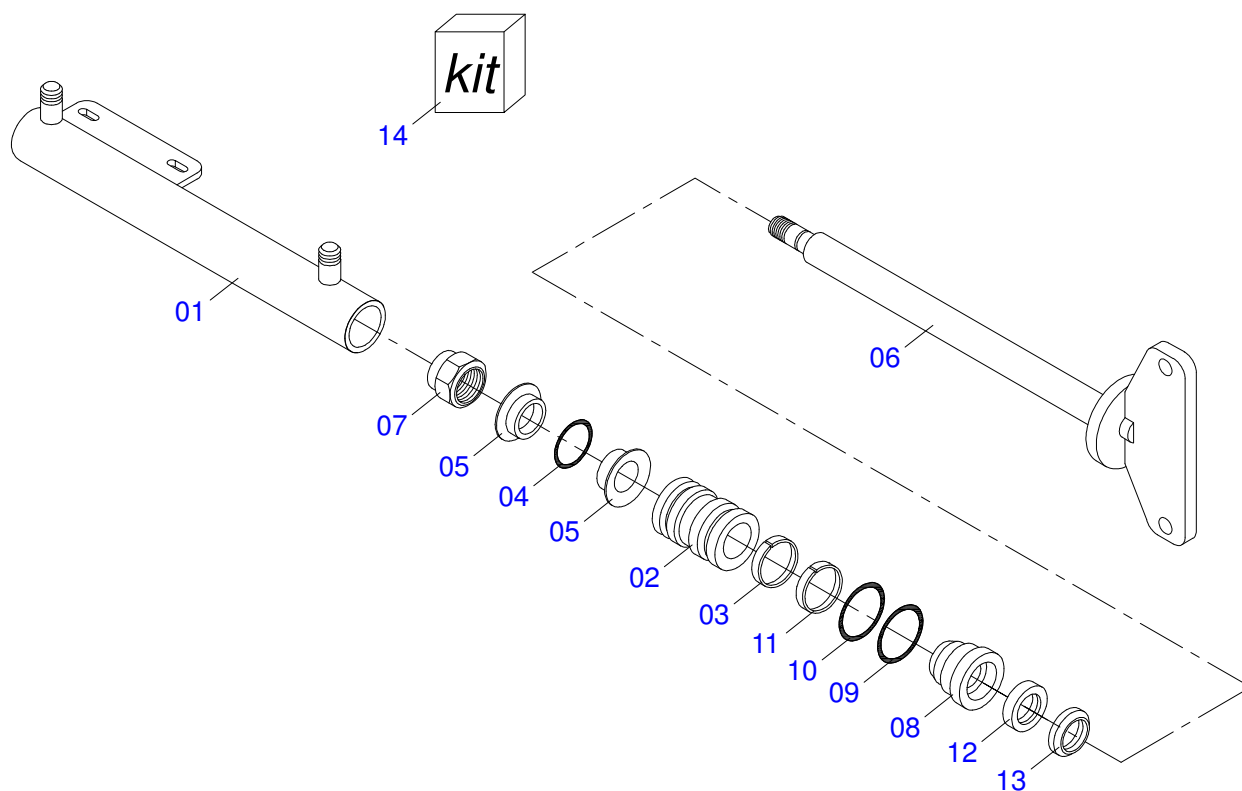
0909090531	FRAME	1
0909090532	TCA 16000 SERIE 03-012 BOX	2
0503032412	15,87 X 25,4 X 380 HYDRAULIC CYLINDER	3
0503032411	HYDRAULIC CYLINDER	4
0909090536	FRICLUTCHION	5
0909090537	TRANSMISSION ASSY	6
0909090538	CONDUCTOR ASSY	7
0909091380	RH FRONT CARRYING-WHEELS	9
0501056194	REAR CARRYING-WHEELS ASSY	10



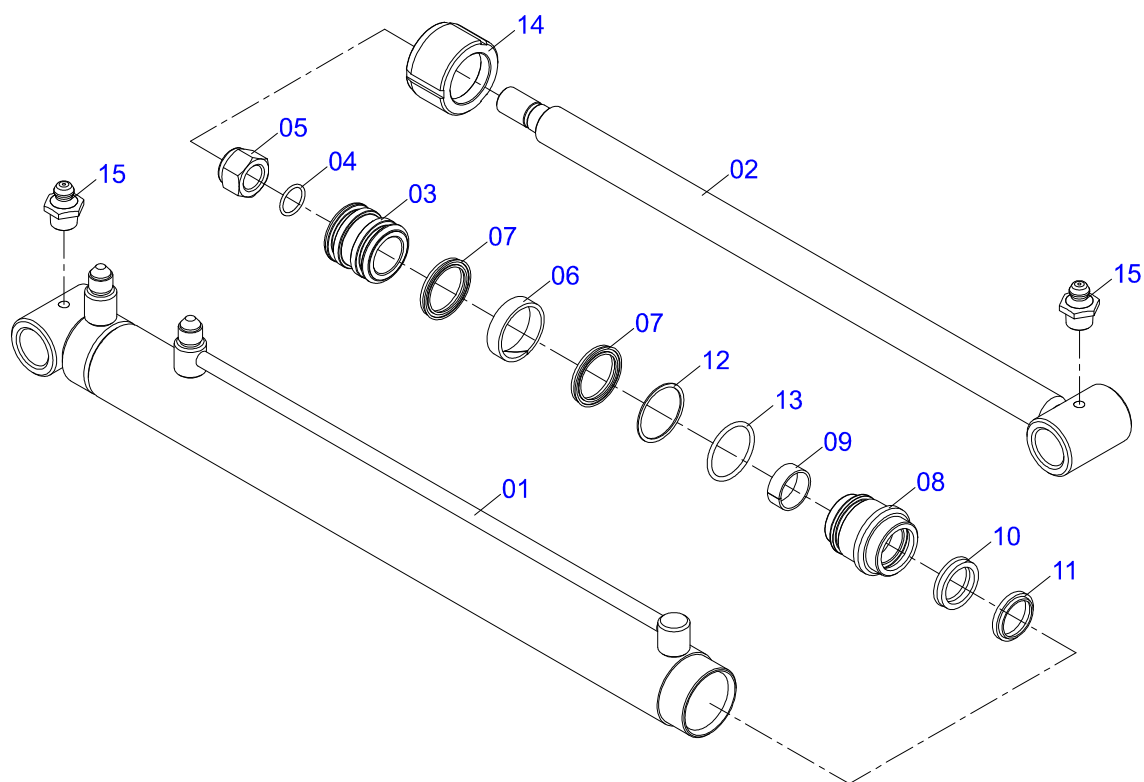
Item	Code	Description	See page	QT
28	0503010073	3/8 X 3-1/2 COTTERPIN		04
29	0503010003	1845 GREASE FITTING		01
30	0521040814	DRAWBAR TURNBUCKLE		01
30A	0511066503	TURNBUCKLE SMALLER DRAWBAR		02
30B	0521063104	DRAWBAR LARGER TURNBUCKLE		02
30C	0511019921	1.3" X 0.1" X 1" SLEEVE		04
30D	0501019927	COUNTERNUT 1.1/4 UNC		02
30E	0541016141	TURNBUCKLE PIVOT SHAFT		01
30F	0501016545	FLAT WASHER		01
30G	0503010406	501025 CLAMPING RING (FOR AXLE)		01
30H	0503011877	0.3" X 2.4" SPRING PIN		01
30I	0541016132	TURNBUCKLE AXLE		02
30J	0503010292	0.2" X 1.6" SPRING PIN		02
30K	0503010691	1/4" GREASE FITTING		03
31	0571011303	38,10 X 476 TCA 16000 AXLE		01
32	0511051855	SPOUT ASSY		01
32A	0521063101	SPOUT ASSY		01
33	0503010751	C3/8" X 1.1/4" HEX BOLT G.5		18
34	0501010984	FLAT WASHER		36
35	0503010025	3/8" SPRING WASHER		22
36	0503010026	3/8" NUT		22
37	0541016295	SLUICE VALVE DISCHARGE		01
38	0503032412	15,87 X 25,4 X 380 HYDRAULIC CYLINDER	3	01
39	0511018012	HIDRAULIC ADAPTER		01
40	0551019995	HIDRAULIC CILINDER LOCK		01
41	0503030012	HAIR PIN		01
42	0503010237	3/8" X 1" BOLT		02
43	0521063107	DRAWBAR		01
44	0501053494	TRACTOR HITCH ASSY		01
44A	0511062245	TRACTOR HITCH ASSY		01
44B	0521010681	BUSHING COUPLING BODY		01
44C	0521010639	COUPLING SHAFT		01
44D	0503010571	1/4" X 1.1/2 COTTERPIN		01
45	0501040257	3/4 X 1200 HOSE HOLDER A		01
45A	0511067334	HOSE SOPPORT ASSY		01
45B	0501010322	FLAT WASHER		02
46	0503062157	HEADER JACK		01
47	0521010549	COUPLING SHAFT		01
48	0503030168	HAIR PIN		01
49	0511059041	CURRENT SECURITY		01
49A	0503014120	CHAIN		01
49B	0503014321	CABLE STEEL SHACKLE		02



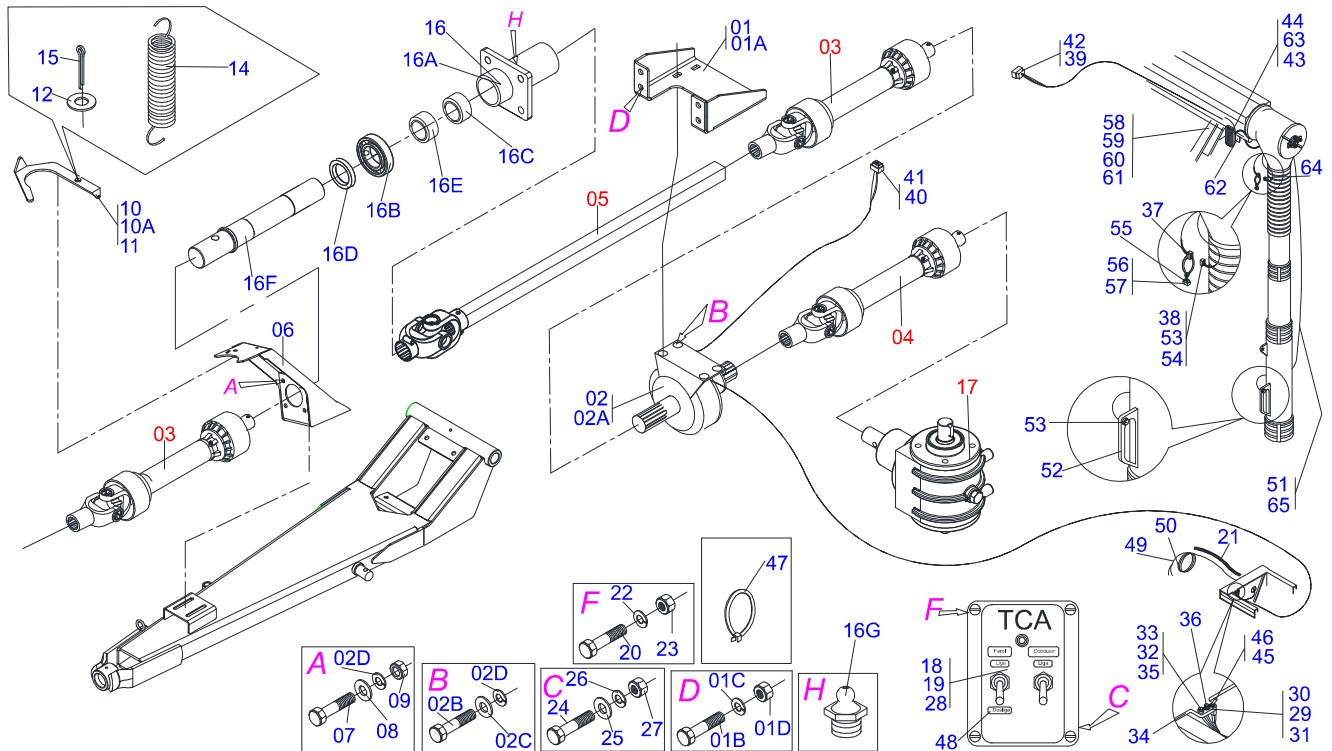
Item	Code	Description	See page	QT
01	0521063114	BEAN TCA 16000	01	
02	0501010243	1/2" X 1-1/2" BOLT	26	
03	0511017302	FLAT WASHER	24	
04	0503010019	1/2" SPRING WASHER	26	
05	0503010020	1/2"NUT	26	
06	0503013438	3/4 UNC X 1.3/4 C A P Q G.2 BOLT	12	
07	0501010322	FLAT WASHER	12	
08	0503010023	3/4" SPRING WASHER	12	
09	0503010014	3/4" NUT	12	
10	0521063105	SCREEN TCA 16000	01	
11	0503030012	HAIR PIN	04	
12	0511051847	LADDER	01	
12A	0521063102	LADDER	01	
12E	0501010063	1/2" X 1-1/2" BOLT	02	
12F	0503010060	1/2" NUT	02	
13	0511051852	DISPLAY	01	
13A	0521063100	FRAME DISPLAY	01	
13B	0503033712	DISPLAY	01	
13C	0503010803	SCREW 3/16 UNC X 3/4 CAF G.2 ZN	06	
13D	0503010669	FLAT WASHER	06	
13E	0503010668	3/16" SPRING WASHER	06	
13F	0503010667	3/16" NUT	06	
14	0501056884	FIXER CARDAN SHAFT	01	
14A	0511067332	CARDAN LARGER FIXER	01	
15	0541019756	CARDAN SMALLE FIXER	01	
16	0503030198	0.6" X 2.4" X 0.1" EXTENSION SPRING	01	
17	0511017302	FLAT WASHER	01	
18	0503010257	1/8" X 1" COTTERPIN	01	
19	0521063106	GUARD BRACKET	05	



Item	Code	Description	See page	QT
01	0511069925	CYLINDER CASE		01
02	0551019990	31,75 X 50,80 X 39,40 PISTON		01
03	0503010949	W2-2000-500 PK RING G.E		01
04	0503014677	2-118 O`RING		01
05	0503013920	GASKET 1870-1625		02
06	0511069926	31,75 X 31,70 X 419 ROD		01
07	0503010812	7/8" UNF SELF LOCKING NUT		01
08	0551019988	RING SUPPORT 31,75 X 50,80 X 47		01
09	0503013918	8-224 BACK-UP RING		01
10	0503013917	O`RING 2-224		01
11	0503014683	W1-1400-500 RING GUIDE		01
12	0503013914	1870-1250-312B GASKET		01
13	0503013915	D-1250 SCRAPER RING		01
14	0501038643	ASSEMBLY		

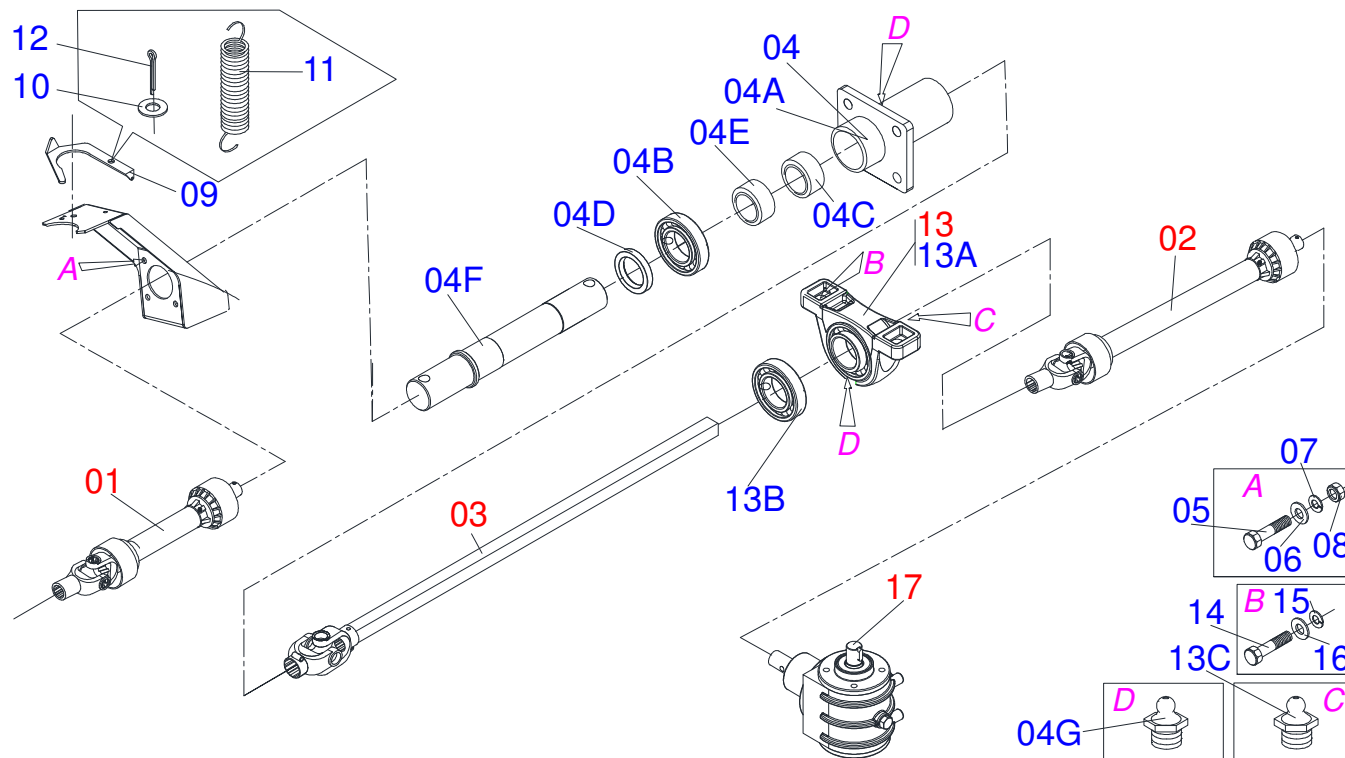


Item	Code	Description	See page	QT
01	0511069777	CYLINDER CASE ASSY		01
02	0511069778	ROD CILINDER ASSY		01
03	0551019465	TCA 16000 PISTON		01
04	0503014677	2-118 O`RING		01
05	0503010812	7/8" UNF SELF LOCKING NUT		01
06	0503010949	W2-2000-500 PK RING G.E		01
07	0503013920	GASKET 1870-1625		02
08	0551019466	RING SUPPORT		01
09	0503014683	W1-1400-500 RING GUIDE		01
10	0503013914	1870-1250-312B GASKET		01
11	0503013915	D-1250 SCRAPER RING		01
12	0503013918	8-224 BACK-UP RING		01
13	0503013917	O`RING 2-224		01
14	0551016592	MOBILE COVER		01
15	0503010002	1800 GREASE FITTING		02
16	0501038643	ASSEMBLY		01



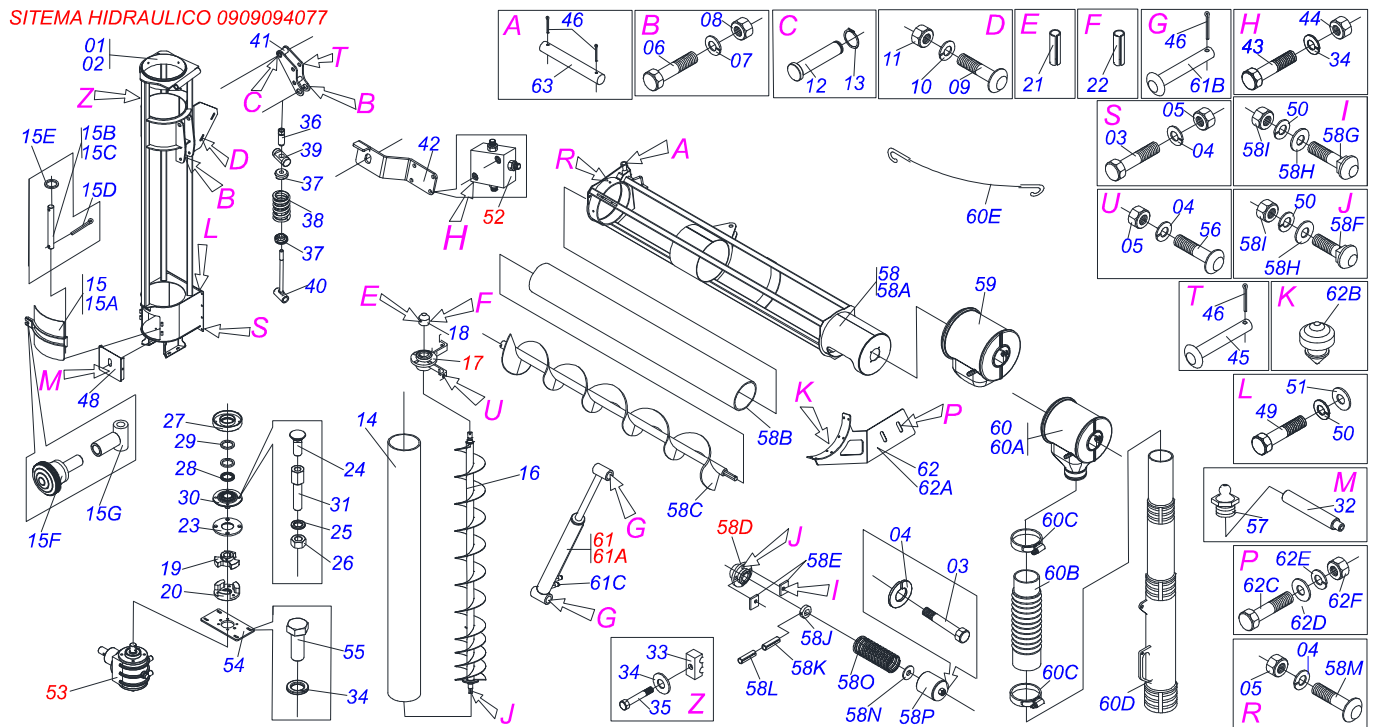
Item	Code	Description	See page	QT
00	0909090536	FRICLUTCHION	5	01
01	0511052891	SUPPORT		01
01A	0571012203	SUPPORT FRICÇÃO		01
01B	0503010962	5/8" X 1-1/4" BOLT		04
01C	0503010027	5/8" SPRING WASHER		04
01D	0503010013	5/8" NUT		04
02	0511052892	CLUTCH		01
02A	0503016352	CLUTCH BOX		01
02B	0503010428	M12 X 1,75 X30 BOLT		04
02C	0511017302	FLAT WASHER		04
02D	0503010019	1/2" SPRING WASHER		08
03	0511043330	DRIVE SHAFT		02
04	0501048241	DRIVE SHAFT		01
05	0521041266	UNIVERSAL JOINT WITH SHAFT		01
06	0521062815	SUPPORT BEARING		01
07	0503010239	1/2" X 1-1/2" BOLT		04
08	0521014188	FLAT WASHER		04
09	0503010060	1/2" NUT		04
10	0501056884	FIXER CARDAN SHAFT		01
10A	0511067332	CARDAN LARGER FIXER		01
11	0541019756	CARDAN SMALLE FIXER		01
12	0511017302	FLAT WASHER		01
14	0503030198	0.6" X 2.4" X 0.1" EXTENSION SPRING		01
15	0503010257	1/8" X 1" COTTERPIN		01
16	0511050253	CARDAN TRANSMISSION HUB		01
16A	0502011282	TRANSMISSION AXLE BOX		01
16B	0503010276	6206 BALL BEARING		02
16C	0511014701	1.19" X 1.63" X 3.11" BUSHING		01
16D	0503010278	SEAL		02
16E	0511014695	1.18" X " X 1.89" X 0.55" BUSHING		02
16F	0561016932	TRANSMISSION AXLE		01

Item	Code	Description	See page	QT
16G	0503010002	1800 GREASE FITTING		01
17	0521040821	TRANSMISSION BOX		01
18	0511052894	HYDRAULIC CIRCUIT		01
19	0571011421	SUPPORT BOX CONTROL		01
20	0503011334	BOLT 3/8 UNC X 3/4 CS G.5 ZN		02
21	0503012900	HOOD ISULATION		04
22	0503010025	3/8" SPRING WASHER		02
23	0503010026	3/8" NUT		02
24	0503013813	1/4" UNC X 7/8" BOLT		02
25	0511017303	FLAT WASHER		02
26	0503010143	1/4" SPRING WASHER		02
27	0503010144	1/4" NUT		02
28	0503015447	ELECTRICAL BOX		01
29	0503015794	SUPPORT FUSE		01
30	0503013146	FUSE		01
31	0503015644	DIODE 1N5408		01
32	0503014428	5-10MM CABLE GLAND		02
33	0503015025	BIG RED LEDS		01
34	0503015027	SUPPORT FOR LED		01
35	0503015028	12K RESISTOR		01
36	0503014591	RING CONNECTOR		02
37	0503016371	CONNECTOR FEMALE 4 VIAS		01
38	0503016372	CONNECTOR FEMALE 5 VIAS		01
39	0503015906	TWO-WAY MALE CONNECTOR		01
40	0503015905	TWO-WAY FEMALE MALE CONNECTOR		01
41	0503015907	MALE TERMINAL		12
42	0503015908	FEMALE TERMINAL		09
43	0503014302	LIGHTHOUSE MILE F-15		01
44	0503013639	H3 55W LAMP		01
45	0503016611	WRENCH TIC TAC		01
46	0503013640	WRENCH		01
47	0503013527	CLAMP ZIPER		20
48	0503033648	ADHESIVE LABEL		01
49	0503014745	2 X 2,5 MM ELECTRIC CABLE		10MT
50	0503013317	CABLE		10MT
51	0503015961	CABLE PP		05MT
52	0503013573	10-14MM CABLE GLAND		01
53	0503016370	THREE FEMALE CONNECTOR		01
54	0503016369	THREE FEMALE CONNECTOR		02
55	0503015911	CABLE SEAL		21
56	0503014465	CONNECTOR		03
57	0503014579	CONNECTOR		02
58	3505151603	TUBE		05MT
59	3504156452	TUBE		1,2MT
60	3505152004	TUBE		01MT
61	3505153343	TUBE		0,3MT
62	0503032514	RELAY		01
63	0503010743	1/4" X 1-1/4" BOLT		04
64	0503015393	CONECTOR WITH LOCK		04
65	0503013628	ELASTIC LUGGAGE RACK		02



Item	Code	Description	See page	QT
00	0909090537	TRANSMISSION ASSY	6	01
01	0511043330	DRIVE SHAFT		01
02	0511049811	DRIVE SHAFT		01
03	0521040837	UNIVERSAL JOINT WITH SHAFT		01
04	0511050253	CARDAN TRANSMISSION HUB		01
04A	0502011282	TRANSMISSION AXLE BOX		01
04B	0503010276	6206 BALL BEARING		02
04C	0511014701	1.19" X 1.63" X 3.11" BUSHING		01
04D	0503010278	SEAL		02
04E	0511014695	1.18" X " X 1.89" X 0.55" BUSHING		02
04F	0561016932	TRANSMISSION AXLE		01
04G	0503010002	1800 GREASE FITTING		01
05	0503010239	1/2" X 1-1/2" BOLT		04
06	0521014188	FLAT WASHER		04
07	0503010019	1/2" SPRING WASHER		04
08	0503010060	1/2" NUT		04
09	0541019756	CARDAN SMALLE FIXER		01
10	0511017302	FLAT WASHER		01
11	0503030198	0.6" X 2.4" X 0.1" EXTENSION SPRING		01
12	0503010257	1/8" X 1" COTTERPIN		01
13	0511041213	AGRICULTURAL BEARING		01
13A	0521011954	1.1/2" LEFT NUT		01
13B	0503011884	BALL BEARING		01
13C	0503010691	1/4" GREASE FITTING		01
14	0503010428	M12 X 1,75 X30 BOLT		02
15	0503011440	SPRING WASHER		02
16	0541012143	FLAT WASHER		02
17	0521040821	TRANSMISSION BOX		01

SITEMA HIDRAULICO 0909094077



Item	Code	Description	See page	QT
01	0511051849	LOWER CONDUCTOR ASSY		01
02	0521063093	LOWER CONDUCTOR SUPPORT		01
03	0501010077	1/2" X 2" BOLT		11
04	0503010019	1/2" SPRING WASHER		15
05	0503010060	1/2" NUT		14
06	0503014192	3/4 UNC BOLT		01
07	0503010023	3/4" SPRING WASHER		01
08	0503010014	3/4" NUT		01
09	0503012699	BOLT 5/8NC X 2 CAPQ G.5 ZN 1K20548		04
10	0503010027	5/8" SPRING WASHER		04
11	0503010013	5/8" NUT		04
12	0551015389	COUPLING SHAFT		01
13	0503010880	501032 CLAMPING RING (FOR AXLE)		01
14	0503032418	355 X 8,70 X 2320 TUBE PVC		01
15	0511051857	SLUICE VALVE ASSY		01
15A	0521063098	SLUICE VALVE		01
15B	0571011299	PIVOT SHAFT		01
15C	0571011298	PIVOT SHAFT LOCK		01
15D	0503010257	1/8" X 1" COTTERPIN		04
15E	0501010937	13.5 X 28 X 3 FLAT WASHER		01
15F	0503016361	PMO 900 KNOB		01
15G	0521063099	PIVOT LOCK COMPUERTA		01
16	0521063095	LOWER CONDUCTOR		01
17	0501057635	CONDUCTOR LOWER HUB		01
18	0551015076	SLEEVE		01
19	0521063096	CONDUCTOR FOLLOWER		01
20	0521063097	TRANSMISSION BOX FOLLOWER		01
21	0503010927	0.6" X 3.9" SPRING PIN		01
22	0503010928	0.4" X 4" SPRING PIN		01
23	0571011301	SUPPORT FLANGE CLOTH		01
24	0503015348	3/8" BOLT		04



TCA 16000
CONDUCTOR ASSY

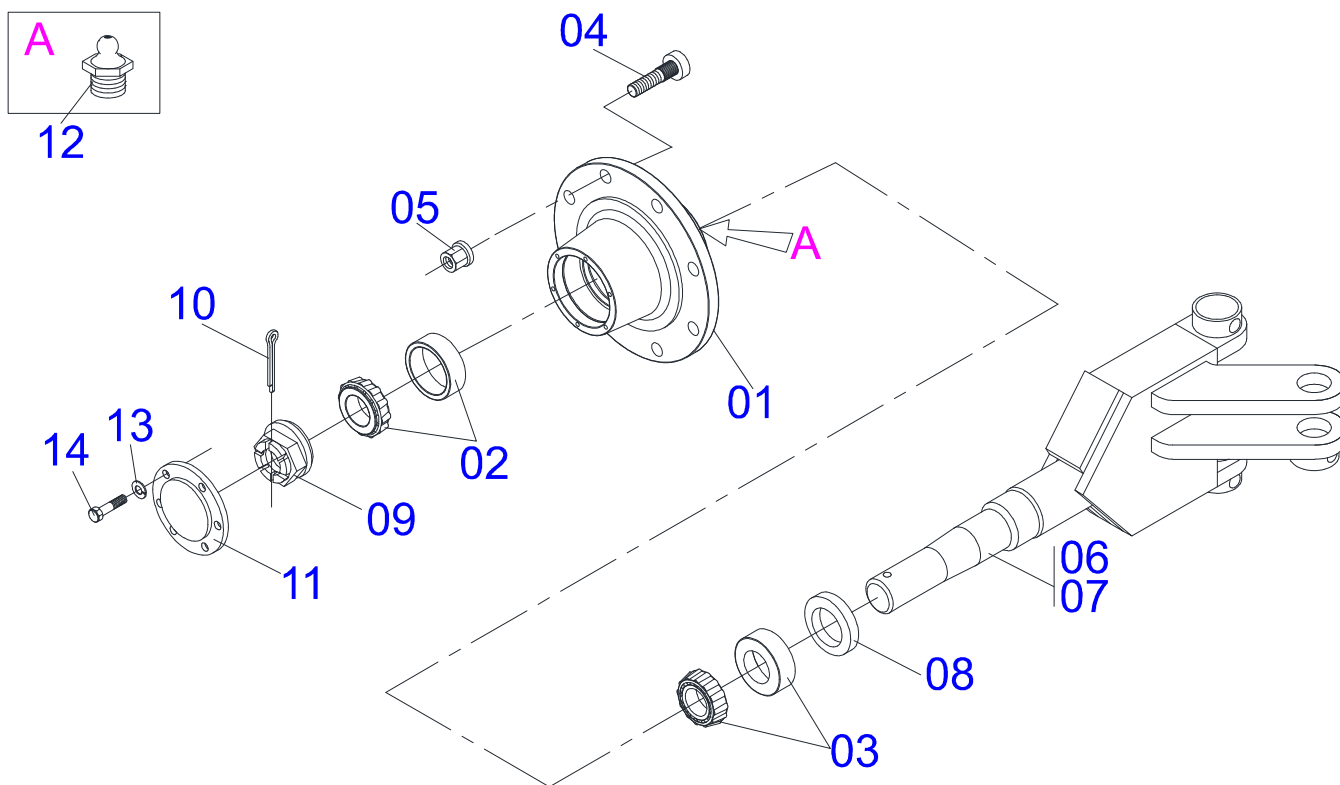
Item	Code	Description	See page	QT
25	0503010180	7/16" SPRING WASHER		04
26	0503010244	7/16" NUT		04
27	0571011300	SUPPORT SEAL		01
28	0551016480	58X75X9 SEAL		01
29	0503013602	502075 CLAMPING RING		01
30	0503013510	BEARING ASSY		01
31	0571011309	BATH BEARING FIXER		04
32	0503031394	EXTENSION GREASE FITTING		01
33	0502010477	HOSE CLAMP		02
34	0503010025	3/8" SPRING WASHER		08
35	0503010751	C3/8" X 1.1/4" HEX BOLT G.5		02
36	0502011968	SPRING LOCKNUT		01
37	1902020393	SPRING UPPER SUPPORT		02
38	0503030441	12.7" X 5.7" X 0.5"SPRING		01
39	0501067323	SPRING REGULATOR		01
40	0521018575	REGULATOR SPINDLE 100		01
41	0511068634	CILINDER ARTICULATION		01
42	0551015395	VALVE SUPPORT		01
43	0503011179	3/8" X 2-1/4" BOLT		02
44	0503010026	3/8" NUT		02
45	0521010544	1.2" X 4.9" COUPLING SHAFT		01
46	0503010523	1/4" X 2" COTTERPIN		04
48	0521063112	COVER		02
49	0503010363	5/16" X 1" BOLT		04
50	0503010179	5/16" ZN SPRING WASHER		04
51	0501010694	8.5 X 18 X 1.5 FLAT WASHER		04
52	0503013622	VALVE ASSY		01
53	0521040821	TRANSMISSION BOX		01
54	0571011310	FIXER PLATE BOX TRANSMISSION		01
55	0503010751	C3/8" X 1.1/4" HEX BOLT G.5		04
56	0501010524	1/2" X 2" BOLT		02
57	0503010002	1800 GREASE FITTING		01
58	0511051848	UPPER CONDUCTOR ASSY		01
58A	0521063166	UPPER CONDUCTOR SUPPORT		01
58B	0503032417	TUBE PVC 355 X 8,70 X 2685		01
58C	0511068554	UPPER AXLE CONDUCTOR		01
58D	0501057633	SUPPORT HUB		01
58E	0501016149	FIXER PLATE		02
58F	0503011953	5/16" X 1" BOLT		02
58G	0503012163	5/16" X 1-1/2" BOLT		02
58H	0501010694	8.5 X 18 X 1.5 FLAT WASHER		04
58I	0503010337	5/16" NUT		04
58J	0541016549	SLEEVE HEX SEXTAVADA 32 X 58 X 20		01
58K	0503010756	0.2" X 2.4" SPRING PIN		01
58L	0503010361	SPRING PIN		01
58M	0501010243	1/2" X 1-1/2" BOLT		02
58N	0551015071	SUPPORT WASHER		01
58O	0503032958	90 X 230 X 7 TCA COMPRESSION SPRING		01
58P	0511068591	COVER		01
59	0503032581	SOCKET		01
60	0501056252	DISCHARGE SOCKET		01
60A	0503032442	FERTILIZER DISCHARGE SOCKET		01
60B	0503032419	HOSE		01
60C	0503013626	CLAMP 178 TO 197		02
60D	0503062005	CONDUCTOR ASSY		01
60E	0503013628	ELASTIC LUGGAGE RACK		02
61	0501056460	HYDRAULIC CYLINDER		01
61A	0503032411	HYDRAULIC CYLINDER	4	01
61B	0521010780	1.2" X 4.5" COUPLING SHAFT		02



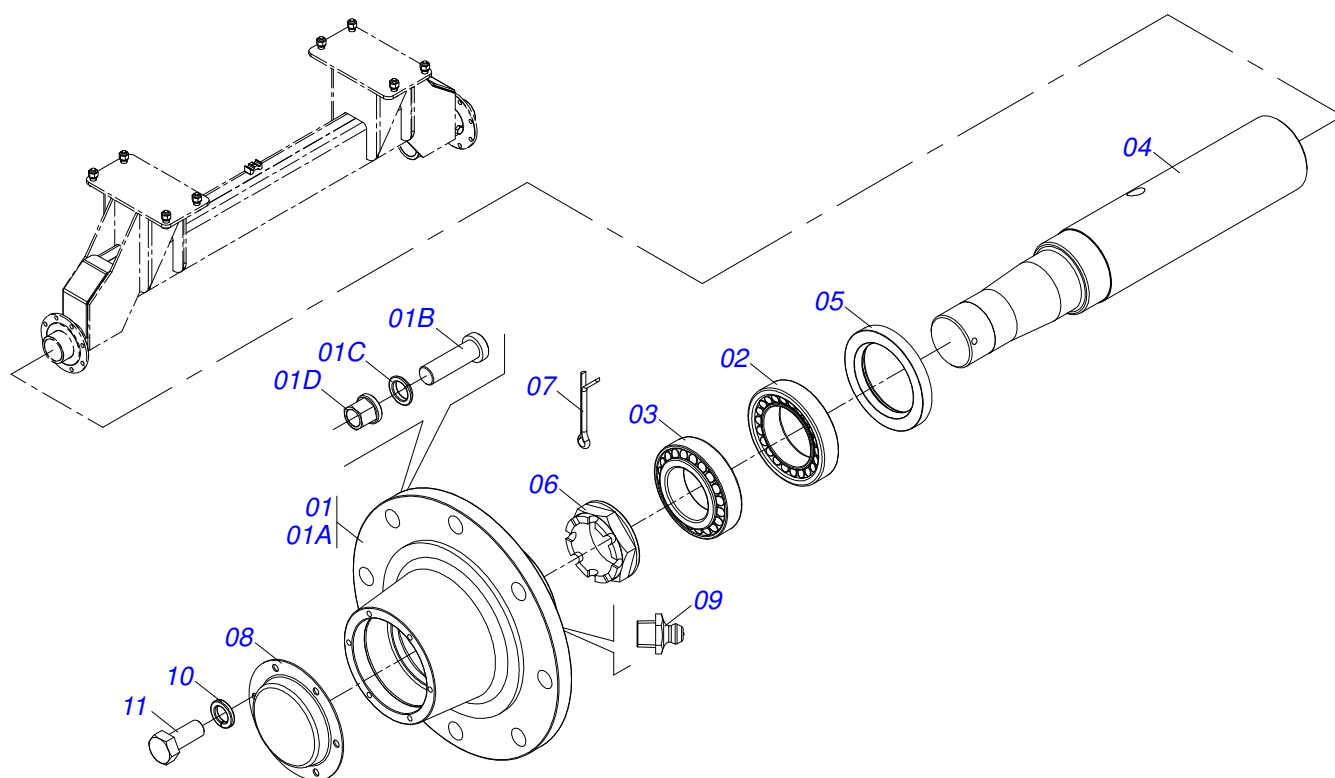
TCA 16000
CONDUCTOR ASSY

Page 7
0909090538

Item	Code	Description	See page	QT
61C	0511018012	HIDRAULIC ADAPTER		01
62	0511051859	PLOUGH SUPPORT		01
62A	0521063111	DRIVER SUPPORT		01
62B	0503032594	30 X 13 X 19 PLUG		08
62C	0501010100	SCREW 5/8 UNC X 2 CS G.5 ZN		03
62D	0501012140	FLAT WASHER		06
62E	0503010027	5/8" SPRING WASHER		03
62F	0503010013	5/8" NUT		03
63	0541016954	31,75MM X 422MM AXLE		01



Item	Code	Description	See page	DIR ESQ
00	0501056192	RIGHT CARRYING-WHEELS ASSY		01
00.	0501056193	LEFT CARRYING-WHEELS ASSY		01
01	0502011229	CARRYING WHEEL HUB		01 01
02	0503010059	33287/33462 ROLLER BEARING		01 01
03	0503010007	3982/3920 ROLLER BEARING		01 01
04	0503011339	M22 X 1,5 X 72 BOLT		08 08
05	0503014048	22 X 1.5 HEX NUT		08 08
06	0511066427	SHAFT SLEEVE RIGHT		01
07	0511066429	LEFT AXLE SLEEVE		01
08	0503010050	SEAL 00085-B		01 01
09	0502040080	2.1/2" SLOTTED NUT		01 01
10	0503011345	1/4" X 3-1/2" COTTERPIN		01 01
11	0541013225	WHEEL BOX COVER		01 01
12	0503010002	1800 GREASE FITTING		01 01
13	0503011444	SPRING WASHER		06 06
14	0503010240	5/16" X 3/4" BOLT		06 06



Item	Code	Description	See page	QT
01	0501110735	HUB CARRYING WHEELS WITH BOLT		01
01A	0502011229	CARRYING WHEEL HUB		01
01B	0503011339	M22 X 1,5 X 72 BOLT		08
01C	0503011340	SPHERICAL SPRING WASHER		08
01D	0503011341	M22 X 0.6" NUT GR8 NUT		08
02	0503010007	3982/3920 ROLLER BEARING		01
03	0503010059	33287/33462 ROLLER BEARING		01
04	0541016099	POINT AXIS REAR		01
05	0503010050	SEAL 00085-B		01
06	0502040080	2.1/2" SLOTTED NUT		01
07	0503011345	1/4" X 3-1/2" COTTERPIN		01
08	0541013225	WHEEL BOX COVER		01
09	0503010002	1800 GREASE FITTING		01
10	0503011444	SPRING WASHER		06
11	0503010240	5/16" X 3/4" BOLT		06



www.marchesan.com.br



Technical Publications | Elaboration and Revision
JOSÉ DOMINGOS GASPARI