

# PARTS CATALOGUE



## TRANSHIPMENT

**Code:**

0501091219

**Product:**

TCA 13500



**Series:**

S-0413

**Revision:**

00

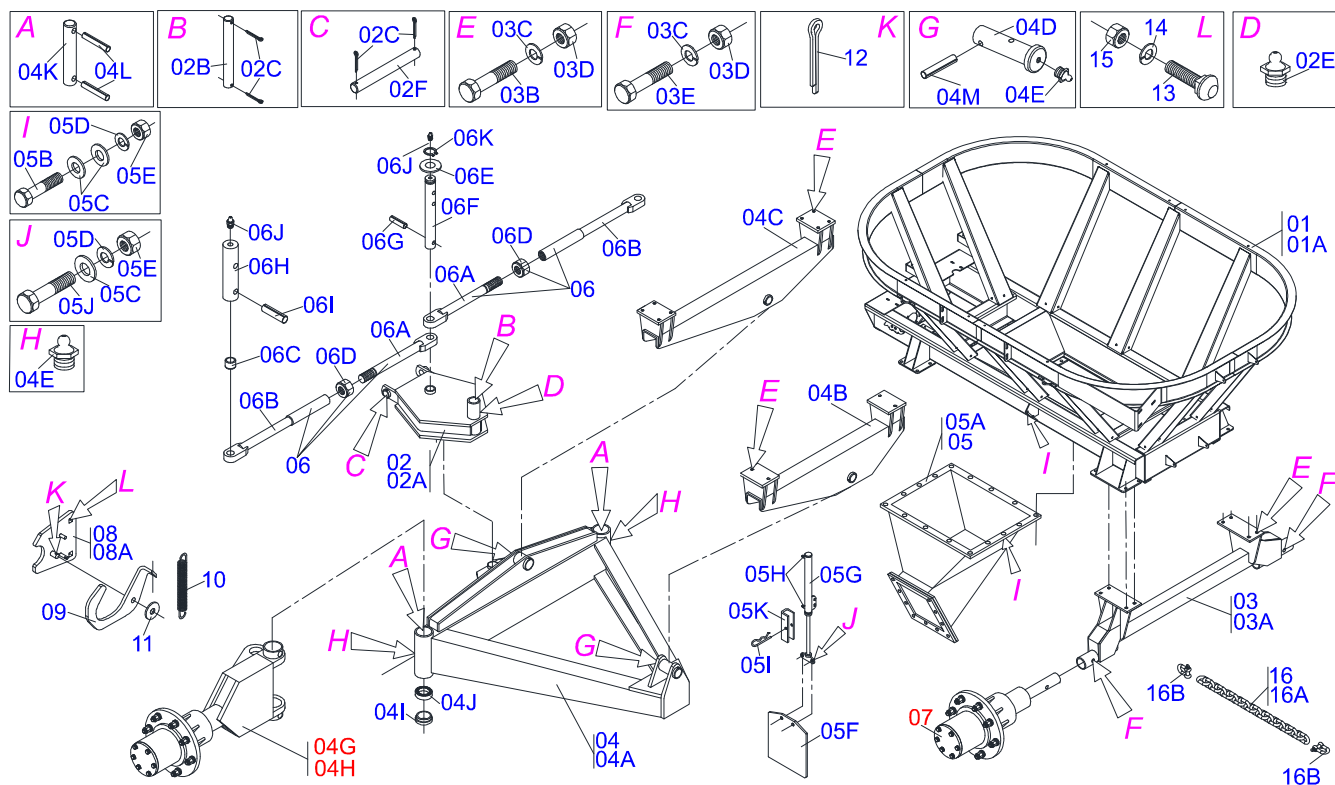
**Date Revision:**

MAIO/2013



# INDEX

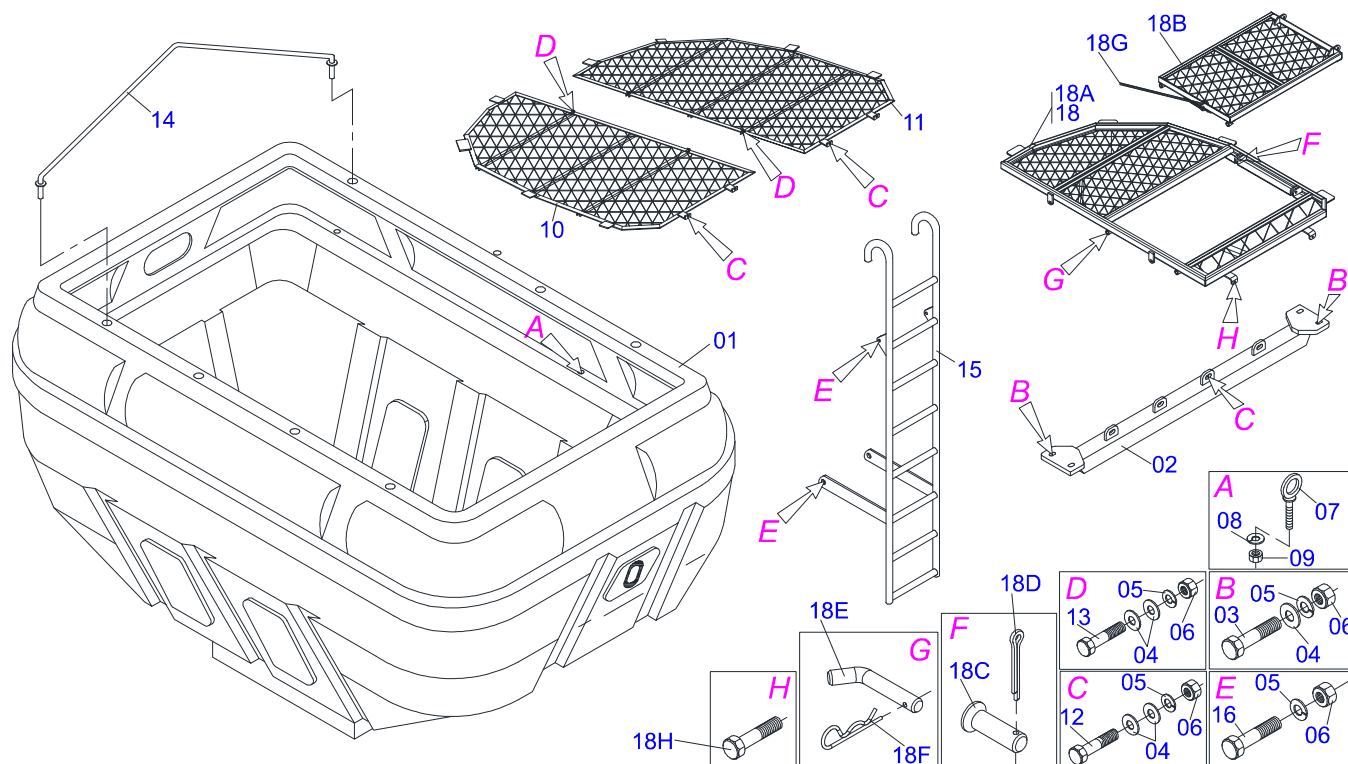
0909090526	FRAME	.....	1
0909090527	13500 LT S-0413 BOX	.....	2
0503032412	15,87 X 25,4 X 380 HYDRAULIC CYLINDER	.....	3
0503032411	HYDRAULIC CYLINDER	.....	4
0909091375	HYDRAULIC CIRCUIT	.....	5
0909090528	HIDRAULIC CIRCUIT	.....	6
0909090529	CONDUCTOR ASSY	.....	7
0501057633	SUPPORT HUB	.....	8
0501057635	CONDUCTOR LOWER HUB	.....	9
0909091381	WHEELS REAR ASSY	.....	10
0503013509	DRIVE SHAFT	.....	11
0909091379	TURNBUCKLE	.....	12



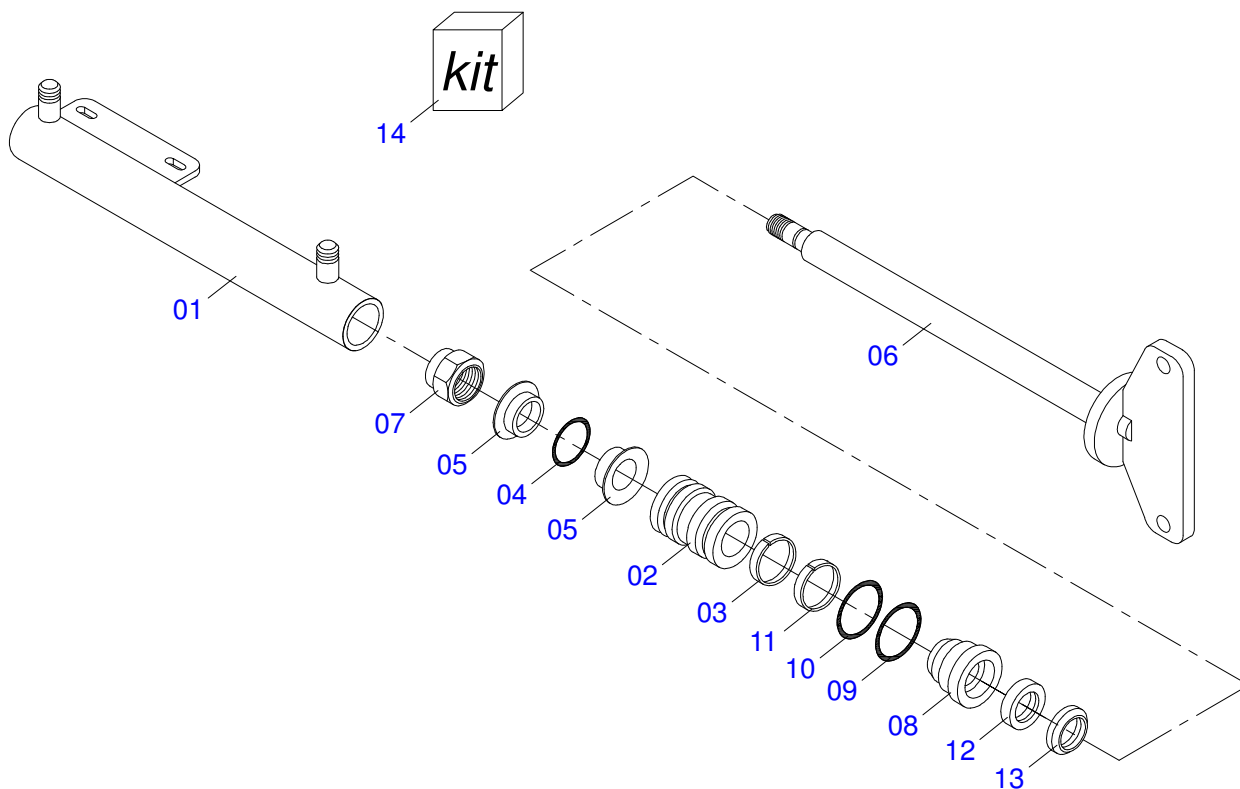
Item	Code	Description	See page	QT
01	0521041708	FRAME ASSY		01
01A	0511044245	REAR CARRYING-WHEELS		01
02	0511044246	PIVOT DRAWBAR ASSY		01
02A	0511066505	DRAWBAR ARTICULACION ASSY		01
02B	0541016149	38,10MM X 216MM AXLE		01
02C	0503010073	3/8 X 3-1/2 COTTERPIN		04
02E	0503010003	1845 GREASE FITTING		01
02F	0541016138	38,10MM X 326MM AXLE		01
03	0511044245	REAR CARRYING-WHEELS		01
03A	0511066423	REAR CARRYING-WHEELS AXLE		01
03B	0501018059	3/4" X 2-1/4" BOLT		20
03C	0503010023	3/4" SPRING WASHER		22
03D	0503010014	3/4" NUT		22
03E	0503011198	C3/4" X 6" SCREW		02
04	0511043920	FRONT CARRYING-WHEELS		01
04A	0511066426	LOWER ROCKER ARM		01
04B	0511066425	STABILIZER ROCKER ARM		01
04C	0511066424	UPPER ROCKER ARM		01
04D	0541016105	PLUGER 50,8MM X 183MM		02
04E	0503010002	1800 GREASE FITTING		02
04G	0501056192	RIGHT CARRYING-WHEELS ASSY		01
04H	0501056193	LEFT CARRYING-WHEELS ASSY		01
04I	0541016129	ROLLER BEARING HOLDER		02
04J	0503012822	51111 ROLLER BEARING		02
04K	0541016130	AXLE		02
04L	0503012553	10MM X 80MM SPRING PIN		04
04M	0503010775	SPRING PIN		02
05	0501056253	MOEGA ASSY		01
05A	0511066514	MOEGA INOX		01
05B	0503010751	C3/8" X 1.1/4" HEX BOLT G.5		18
05C	0501010984	FLAT WASHER		47



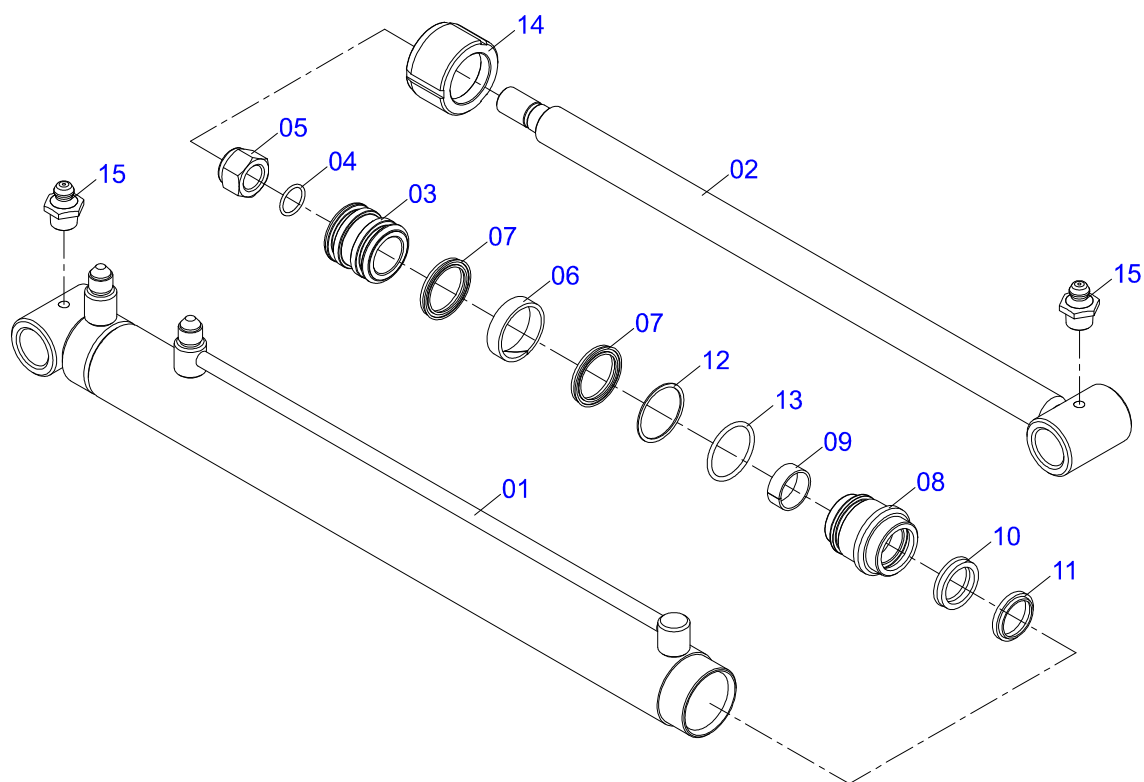
Item	Code	Description	See page	QT
05D	0503010025	3/8" SPRING WASHER		20
05E	0503010026	3/8" NUT		20
05F	0541016295	SLUICE VALVE DISCHARGE		01
05G	0503032412	15,87 X 25,4 X 380 HYDRAULIC CYLINDER	3	01
05H	0511018012	HIDRAULIC ADAPTER		02
05I	0503030168	HAIR PIN		01
05J	0503010237	3/8" X 1" BOLT		02
05K	0541017505	HYDRAULIC CYLINDER LOCK		01
06	0511043628	DRAWBAR TURNBUCKLE		01
06A	0511066503	TURNBUCKLE SMALLER DRAWBAR		02
06B	0511066465	DRAWBAR LARGER TURNBUCKLE		02
06C	0511019921	1.3" X 0.1" X 1" SLEEVE		04
06D	0501019927	COUNTERNUT 1.1/4 UNC		02
06E	0501016545	FLAT WASHER		01
06F	0541016141	TURNBUCKLE PIVOT SHAFT		01
06G	0503011877	0.3" X 2.4" SPRING PIN		01
06H	0541016132	TURNBUCKLE AXLE		02
06I	0503010292	0.2" X 1.6" SPRING PIN		02
06J	0503010691	1/4" GREASE FITTING		03
06K	0503010406	501025 CLAMPING RING (FOR AXLE)		01
07	0501056194	REAR CARRYING-WHEELS ASSY		02
08	0501056884	FIXER CARDAN SHAFT		01
08A	0511067332	CARDAN LARGER FIXER		01
09	0541019756	CARDAN SMALLE FIXER		01
10	0503030198	0.6" X 2.4" X 0.1" EXTENSION SPRING		01
11	0511017302	FLAT WASHER		01
12	0503010257	1/8" X 1" COTTERPIN		01
13	0501010243	1/2" X 1-1/2" BOLT		02
14	0503011440	SPRING WASHER		02
15	0503010020	1/2"NUT		02
16	0511059041	CURRENT SECURITY		01
16A	0503014120	CHAIN		01
16B	0503014321	CABLE STEEL SHACKLE		02



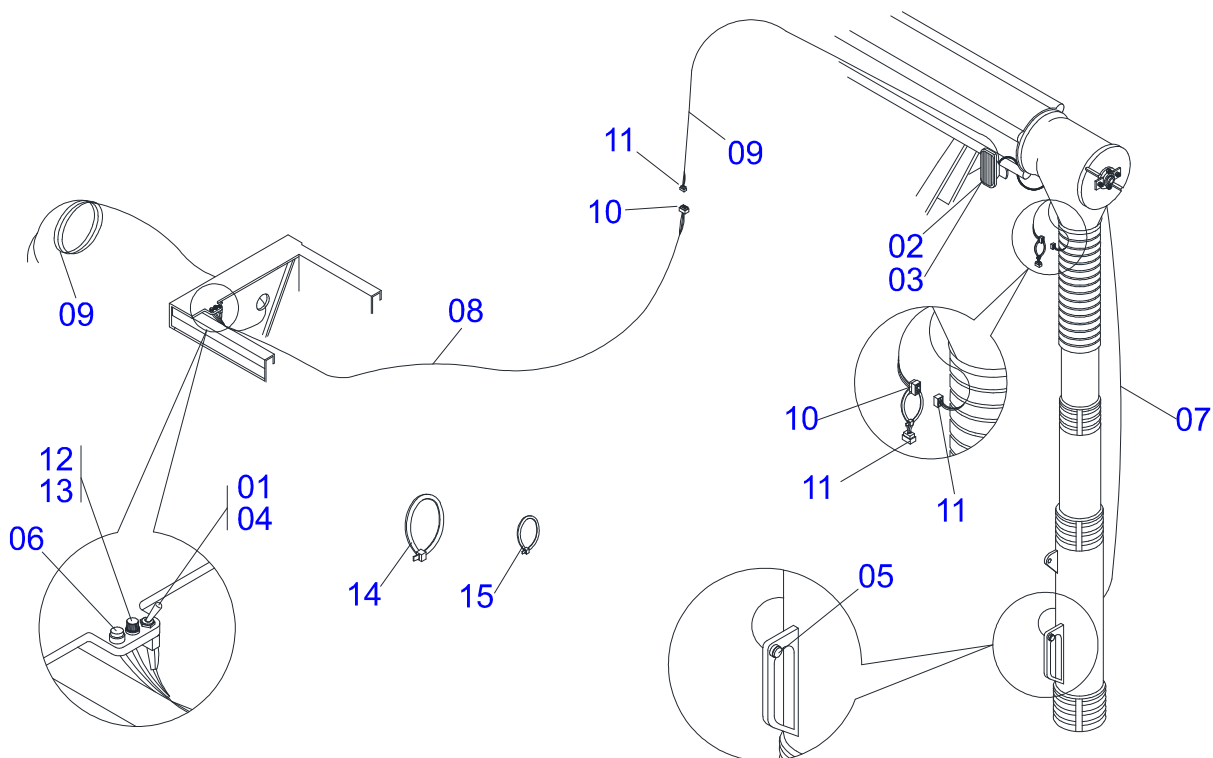
Item	Code	Description	See page	QT
01	0503061055	13500 LITERS TCA 16000 BOX ASSY		01
02	0511066535	PLASTIC BOX LOCK		01
03	0501018942	1/2" X 2" BOLT		04
04	0511017302	FLAT WASHER		20
05	0503010019	1/2" SPRING WASHER		16
06	0503010060	1/2" NUT		16
07	0511066820	EYELET		04
08	0503010027	5/8" SPRING WASHER		04
09	0503010013	5/8" NUT		04
10	0511066570	SCREEN RIGHT		02
11	0511066571	SCREEN LEFT		02
12	0501019219	1/2" X 1-3/4" BOLT		04
13	0503010740	BOLT 1/2 UNC X 2 CS G.5 ZN		04
14	0511066537	SUPPORT CANVAS		04
15	0511066533	LADDER TCA		01
16	0503010834	1/2 X 1 BOLT		04
18	0511052433	SCREEN NOZZLE		01
18A	0521063550	SCREEN LEFT WITH OPEN SLUICE VALVE		01
18B	0521063551	BEHAVE EVE		01
18C	0521017623	0.5" X 1.5" COUPLING SHAFT		02
18D	0503010257	1/8" X 1" COTTERPIN		02
18E	0501011075	PIN		02
18F	0503030012	HAIR PIN		02
18G	0511010367	3/8" X 39,37" LEVER ROPE		01
18H	0503010920	1/2" X 1.1/2" BOLT		02



Item	Code	Description	See page	QT
01	0511069925	CYLINDER CASE		01
02	0551019990	31,75 X 50,80 X 39,40 PISTON		01
03	0503010949	W2-2000-500 PK RING G.E		01
04	0503014677	2-118 O`RING		01
05	0503013920	GASKET 1870-1625		02
06	0511069926	31,75 X 31,70 X 419 ROD		01
07	0503010812	7/8" UNF SELF LOCKING NUT		01
08	0551019988	RING SUPPORT 31,75 X 50,80 X 47		01
09	0503013918	8-224 BACK-UP RING		01
10	0503013917	O`RING 2-224		01
11	0503014683	W1-1400-500 RING GUIDE		01
12	0503013914	1870-1250-312B GASKET		01
13	0503013915	D-1250 SCRAPER RING		01
14	0501038643	ASSEMBLY		

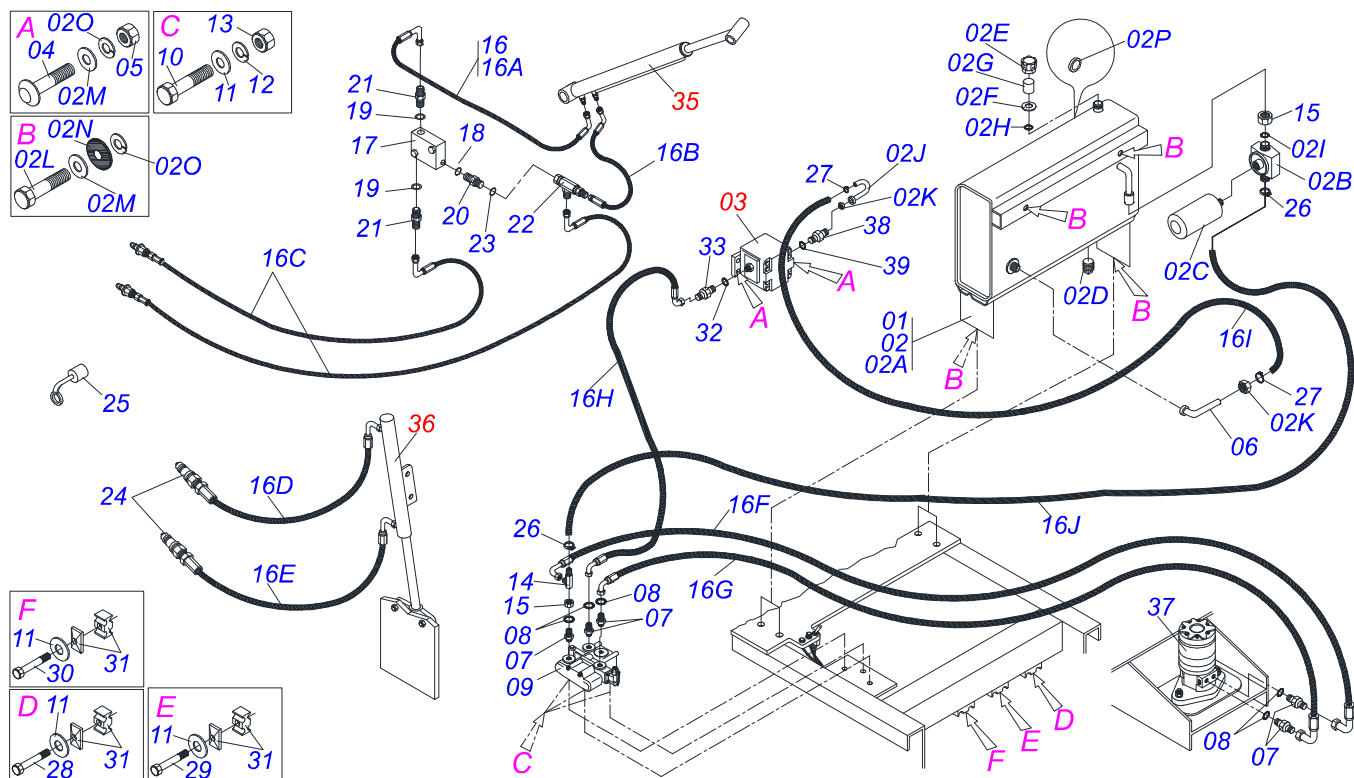


Item	Code	Description	See page	QT
01	0511069777	CYLINDER CASE ASSY		01
02	0511069778	ROD CILINDER ASSY		01
03	0551019465	TCA 16000 PISTON		01
04	0503014677	2-118 O'RING		01
05	0503010812	7/8" UNF SELF LOCKING NUT		01
06	0503010949	W2-2000-500 PK RING G.E		01
07	0503013920	GASKET 1870-1625		02
08	0551019466	RING SUPPORT		01
09	0503014683	W1-1400-500 RING GUIDE		01
10	0503013914	1870-1250-312B GASKET		01
11	0503013915	D-1250 SCRAPER RING		01
12	0503013918	8-224 BACK-UP RING		01
13	0503013917	O`RING 2-224		01
14	0551016592	MOBILE COVER		01
15	0503010002	1800 GREASE FITTING		02
16	0501038643	ASSEMBLY		01



Item	Code	Description	See page	QT
01	0501056365	HYDRAULIC CIRCUIT		01
02	0503013638	LIGHTHOUSE PSIFE 027-SL		01
03	0503013639	H3 55W LAMP		01
04	0503013640	WRENCH		01
05	0503013656	BUTTON		01
06	0503013657	BUTTON		01
07	3505108805	PLASTIC 3 X 14AWG OU 3X1,5 MM ROPE		04M
08	3505108761	4 X 1,5MM PLASTIC ROPE		12M
09	3505108969	ELECTRIC THREAD 750V PP 2 X 2,50MM		4.5M
10	0503013789	CONNECTOR 4V/1,5MM		02
11	0503013790	FEMALE CONNECTOR 4V/1,5MM		03
12	3516150249	P-50 4-00938 SUPPORT FUSE		01
13	0503013809	FUSE		01
14	0503012903	T-80M CRAMP NYLON		12
15	0503013100	NYLON CLAMP		23





Item	Code	Description	See page	QT
01	0501057640	HYDRAULIC CIRCUIT		01
02	0501056196	OIL RESERVOIR ASSY		01
02A	0511066554	RESERVOIR OIL		01
02B	0502050002	RETURNING FILTER HEAD		01
02C	0501041108	RETURNING FILTER ASSY		01
02D	0503031604	1/2" BSP PLUG		01
02E	0502020472	FRONTAL COVER		01
02F	0501019236	FLAT WASHER		01
02G	0503030044	FILTERING ELEMENT		01
02H	0503010185	2-221 N 3006-9B O-RING		01
02I	0503010046	2-216 N 3006-9B O-RING		01
02J	0501067815	TANK OUTER TUBE		01
02K	0501016309	2" 1X 2.5/16" NUT		02
02L	0501010161	1/2" X 1.1/4" BOLT		06
02M	0511017302	FLAT WASHER		10
02N	0541018213	FLAT WASHER		06
02O	0503010019	1/2" SPRING WASHER		10
02P	0503013689	VISOR OIL LEVEL		01
03	0503013504	HYDRAULIC PARKER PUMP		01
04	0501018942	1/2" X 2" BOLT		04
05	0503010060	1/2" NUT		04
06	0511062042	TANK OUTER TUBE		01
07	0501012520	1-1/16" X 7/8" NIPPLE		05
08	0503010045	O-RING		05
09	0503013506	HYDRAULIC COMMAND		01
10	0501010080	3/8" BOLT		03
11	0501010984	FLAT WASHER		09
12	0503010025	3/8" SPRING WASHER		03
13	0503010026	3/8" NUT		03
14	0511066753	ADAPTER		01
15	0541017544	1.1/16 UN HEX NUT		02

Item	Code	Description	See page	QT
16	0511051083	ASSEMBLY		01
16A	0501080700	3/8 X 650 TC-TC HOSE		01
16B	0501080599	3/8 X 650 TC-TR HOSE		01
16C	0501080640	3/8 X 7200 TC-TM HOSE		02
16D	0501080844	3/8 X 5500 TC-TM HOSE		01
16E	0501080898	3/8 X 5150 TC-TM HOSE		01
16F	0501081077	3/4" X 3100 TC-TC HOSE ASSY		01
16G	0501080712	3/4" X 3000 TC-TC HOSE ASSY		01
16H	0501081049	3/4" X 700 TC-TC HOSE		01
16I	0541018532	1.1/4" X 600 AB-AB HOSE ASSY		01
16J	0501019999	AB-AB HOSE ASSY		01
17	0503013622	VALVE ASSY		02
18	0503010045	O'RING		01
19	0503011030	2-014 N 3006-9B O'RING		02
20	0541016817	1.1/8 X R 7/8 HEX TERMINAL		01
21	0501010590	NIPPLE		02
22	0503011968	3/4" 8R6X-S T ADAPTER WITH SWIVEL NUT		01
23	0503010181	2-119 N 3000-7B O'RING		01
24	0503011627	MALE QUICK COUPLER AGR 1/2 NPT		04
25	0503011882	MALE QUICK COUPLER CAP		04
26	0503010184	CLAMP		02
27	0503010243	CLAMP		02
28	0503011087	3/8" X 1" BOLT		03
29	0501010096	3/8" X 2" BOLT		02
30	0503010765	3/8" X 3" BOLT		01
31	0502010477	HOSE CLAMP		08
32	0503011109	2-119 N 3006-9B O'RING		01
33	0501010589	R. 1.1/16UN SEXT 1.1/4 X 52 NIPPLE		01
34	0511018012	HIDRAULIC ADAPTER		01
35	0503032411	HYDRAULIC CYLINDER	4	01
36	0503032412	15,87 X 25,4 X 380 HYDRAULIC CYLINDER	3	01
37	0503013505	MOTOR HYDRAULIC		01
38	0541017401	R.1.5/8X12FPP X R.2X16FPPX61 NIPPLE		01
39	0503010185	2-221 N 3006-9B O'RING		01





TCA 13500  
CONDUCTOR ASSY

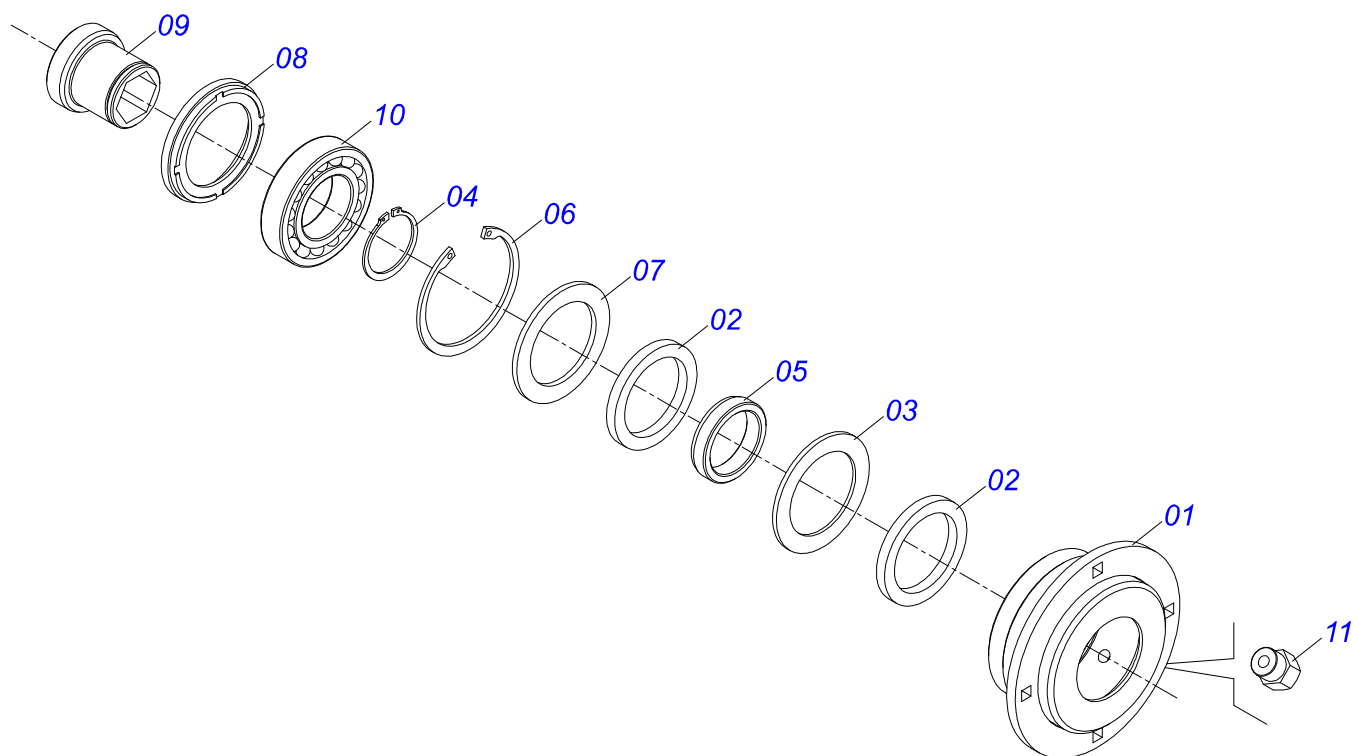
Item	Code	Description	See page	QT
06D	0503010060	1/2" NUT		12
06E	0501018059	3/4" X 2-1/4" BOLT		04
06F	0541010763	FLAT WASHER		08
06G	0503010023	3/4" SPRING WASHER		04
06H	0503010014	3/4" NUT		04
06I	0503032418	355 X 8,70 X 2320 TUBE PVC		01
06J	0541016294	CLEANING SLUICE VALVE		01
06K	0511068555	AXLE CONDUCTOR		01
06L	0503013808	5/8" UNF X 1" BOLT		01
06M	0501010453	FLAT WASHER		01
06N	0503010027	5/8" SPRING WASHER		01
06O	0501057635	CONDUCTOR LOWER HUB	9	01
06P	0551015076	SLEEVE		01
06Q	0503010927	0.6" X 3.9" SPRING PIN		01
06R	0503010928	0.4" X 4" SPRING PIN		01
06S	0551016443	SUPPORT FLANGE CLOTH		01
06S.	0541016547	SUPPORT FLANGE CLOTH		01
06T	0503032420	FELT WASHER		01
06U	0503016851	3/8 UNC X 1.1/2 CEPQ G.2 ZN BOLT		04
06V	0503010025	3/8" SPRING WASHER		04
06X	0551016442	BEARING		01
06Y	0503012555	SCREW 7/16 UNC X 2 CS RT G.7 ZN		04
06Z	0503010180	7/16" SPRING WASHER		04
07	0501057638	UPPER CONDUCTOR ASSY		01
07A	0511066585	UPPER CONDUCTOR SUPPORT		01
07B	0503032417	TUBE PVC 355 X 8,70 X 2685		01
07C	0511068554	UPPER AXLE CONDUCTOR		01
07D	0501057633	SUPPORT HUB	8	01
07E	0501016149	FIXER PLATE		02
07F	0503011953	5/16" X 1" BOLT		02
07G	0503012163	5/16" X 1-1/2" BOLT		02
07H	0501010694	8.5 X 18 X 1.5 FLAT WASHER		04
07I	0503010179	5/16" ZN SPRING WASHER		04
07J	0503010337	5/16" NUT		04
07K	0541016549	SLEEVE HEX SEXTAVADA 32 X 58 X 20		01
07L	0503010756	0.2" X 2.4" SPRING PIN		01
07M	0541016954	31,75MM X 422MM AXLE		02
07N	0503010523	1/4" X 2" COTTERPIN		02
07O	0503010361	SPRING PIN		01
07P	0551015071	SUPPORT WASHER		01
07Q	0503032958	90 X 230 X 7 TCA COMPRESSION SPRING		01
07R	0511068591	COVER		01
08	0501056252	DISCHARGE SOCKET		01
08A	0503032442	FERTILIZER DISCHARGE SOCKET		01
08B	0503032419	HOSE		01
08C	0503013626	CLAMP 178 TO 197		02
08D	0503062005	CONDUCTOR ASSY		01
08E	0503013628	ELASTIC LUGGAGE RACK		02
09	0501056460	HYDRAULIC CYLINDER		01
09A	0503032411	HYDRAULIC CYLINDER	4	01
09B	0521010780	1.2" X 4.5" COUPLING SHAFT		02
09C	0503010523	1/4" X 2" COTTERPIN		02
09D	0511018012	HIDRAULIC ADAPTER		01
10	0501056536	CONDUCTOR PLOUGH SUPPORT ASSY		01
10A	0511066529	UPPER PLOUGH SUPPORT		01
10B	0503032594	30 X 13 X 19 PLUG		08
10C	0501010100	SCREW 5/8 UNC X 2 CS G.5 ZN		03
10D	0501012140	FLAT WASHER		06
10E	0503010027	5/8" SPRING WASHER		03



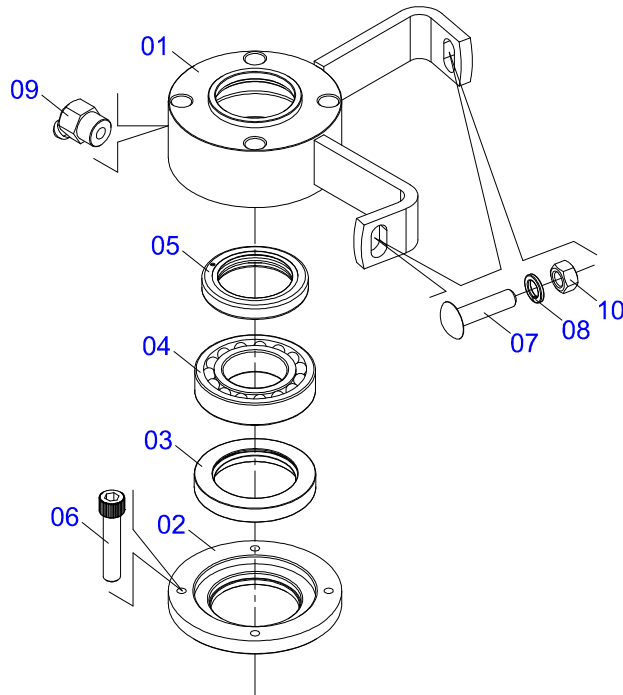
TCA 13500  
CONDUCTOR ASSY

Page 7  
0909090529

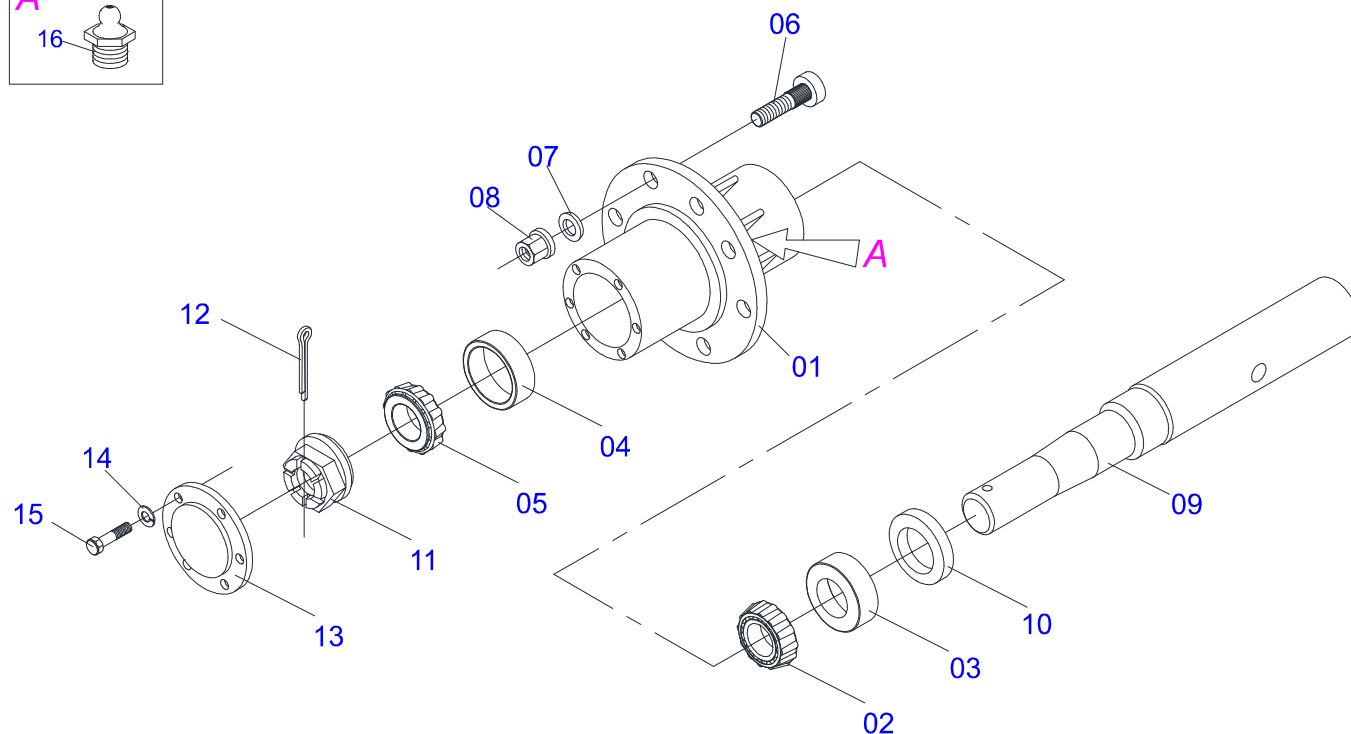
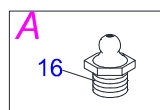
Item	Code	Description	See page	QT
10F	0503010013	5/8" NUT		03
11	0503061051	WHEEL AND TIRE ASSY 18.4 X 30		01
11A	0503013507	CANVAS TIRE		01
11B	0503013508	18.4-30 INNER TIRE		01
11C	0503032413	DW 16.30 HOOP WHEEL		01
12	0501010243	1/2" X 1-1/2" BOLT		02
13	0503010020	1/2"NUT		04
14	0502010477	HOSE CLAMP		02
15	0503010025	3/8" SPRING WASHER		02
16	0503010751	C3/8" X 1.1/4" HEX BOLT G.5		02
17	0501010524	1/2" X 2" BOLT		02
18	0503011440	SPRING WASHER		02



Item	Code	Description	See page	QT
01	0511068633	SUPPORT HUB		01
02	0503032420	FELT WASHER		02
03	0541016557	FELT WASHER SUPPORT		01
04	0503010542	501045 CLAMPING RING (FOR AXLE)		01
05	0541016550	44,91 X 57,50 X 13 SLEEVE		01
06	0503013200	502085 CLAMPING RING (FOR AXLE)		01
07	0541016558	FLAT WASHER		01
08	0541016556	FELT GUIDE ROLLER HUB		01
09	0541016548	HEX SLEEVE 32 X 57,50 X 54		01
10	0503013511	1209-E BEARING ASSY		01
11	0503010003	1845 GREASE FITTING		01

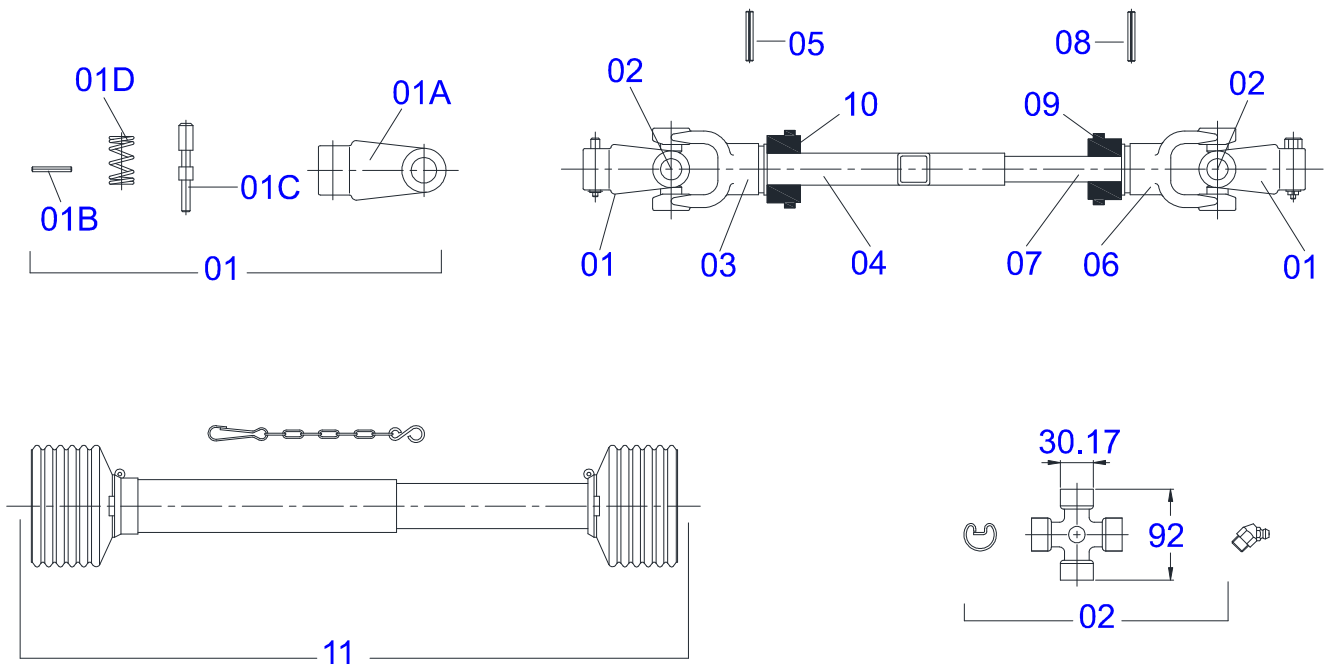


Item	Code	Description	See page	QT
01	0511068635	CONDUCTOR LOWER HUB		01
02	0551015078	BEARING UPPER FLANGE		01
03	0503010804	00547-B SEAL		01
04	0503013511	1209-E BEARING ASSY		01
05	0551015432	SEAL 00838-B		01
06	0503014521	5/16 UNC X 1.1/2 CCSI 12.9 BOLT		04
07	0501010524	1/2" X 2" BOLT		02
08	0503010019	1/2" SPRING WASHER		02
09	0503010003	1845 GREASE FITTING		01
10	0503012682	1/2" BSW NUT		02

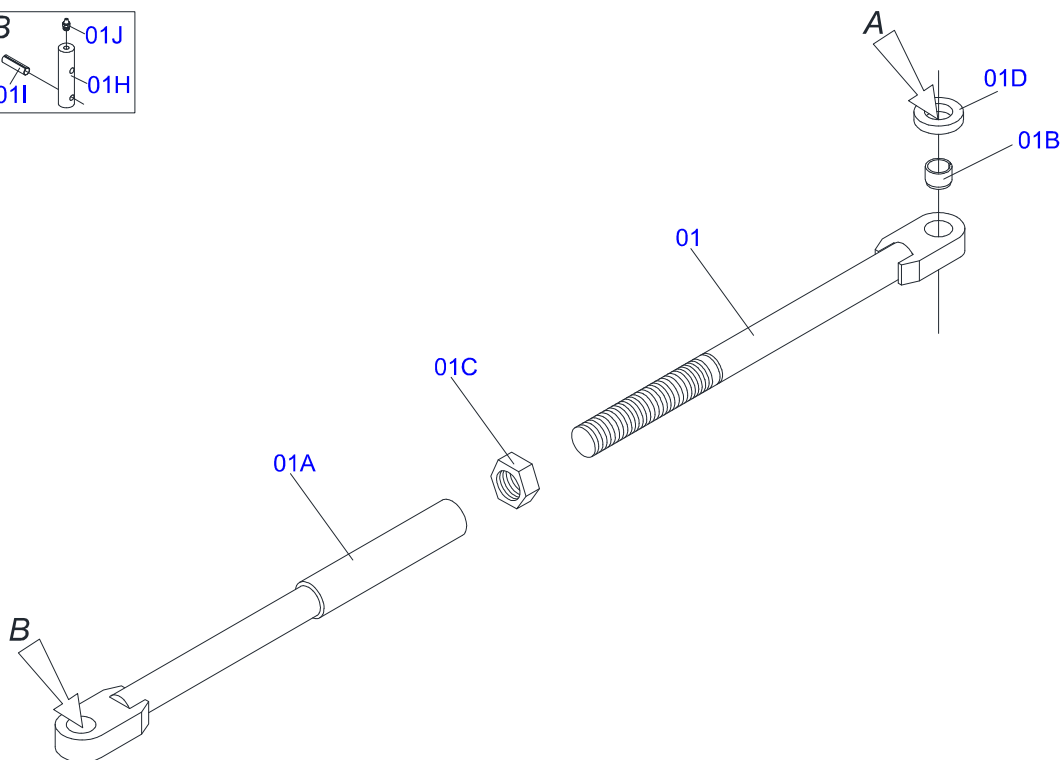
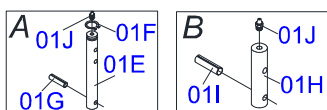


Item	Code	Description	See page	QT
00	0501056194	REAR CARRYING-WHEELS ASSY		01
01	0502011229	CARRYING WHEEL HUB		01
02	0503010623	33287 CONE		01
03	0503010624	33462 CAP		01
04	0503010641	3920 CAP		01
05	0503010612	3982 CONE		01
06	0503011339	M22 X 1,5 X 72 BOLT		08
07	0503011340	SPHERICAL SPRING WASHER		08
08	0503011341	M22 X 0.6" NUT GR8 NUT		08
09	0541016099	POINT AXIS REAR		01
10	0503010050	SEAL 00085-B		01
11	0502040080	2.1/2" SLOTTED NUT		01
12	0503011345	1/4" X 3-1/2" COTTERPIN		01
13	0511015318	HUB COVER		01
14	0503011444	SPRING WASHER		06
15	0503010240	5/16" X 3/4" BOLT		06
16	0503010002	1800 GREASE FITTING		01





Item	Code	Description	See page	QT
01	0501056996	TERMINAL WITH QUICK HITCH		02
02	0503014059	CROSSPIECE		02
03	0503014060	TERMINAL W/SQUARE HOLE		01
04	0503014061	30,40 X 39,90 SLEEVE		01
05	0503014073	SPRING PIN		01
06	0503014065	TERMINAL W/ SQUARE HOLE		01
07	0503014062	29,85 X 1400 SQUARE SHAFT		01
08	0503014074	SPRING PIN		01
09	0503014063	MALE SLEEVE ADAPTER		01
10	0503014064	FEMALE SLEEVE ADAPTER		01
11	0503014068	PROTECTION ASSY		01



Item	Code	Description	See page	QT
00	0511043628	DRAWBAR TURNBUCKLE		02
01	0511066503	TURNBUCKLE SMALLER DRAWBAR		02
01A	0511066465	DRAWBAR LARGER TURNBUCKLE		02
01B	0511019921	1.3" X 0.1" X 1" SLEEVE		04
01C	0501019927	COUNTERNUT 1.1/4 UNC		02
01D	0501016545	FLAT WASHER		01
01E	0541016141	TURNBUCKLE PIVOT SHAFT		01
01F	0503010406	501025 CLAMPING RING (FOR AXLE)		01
01G	0503011877	0.3" X 2.4" SPRING PIN		01
01H	0541016132	TURNBUCKLE AXLE		02
01I	0503010292	0.2" X 1.6" SPRING PIN		02
01J	0503010691	1/4" GREASE FITTING		03





[www.marchesan.com.br](http://www.marchesan.com.br)



**Technical Publications | Elaboration and Revision**  
JOSÉ DOMINGOS GASPARI