

PARTS CATALOG

DOUBLE OFFSET DISK HARROW

GH2 1009T

Code: 0501091211



Series: S-0308

Review: JUNHO/2005

ORIGINAL PARTS
TATU



PRODUCTS

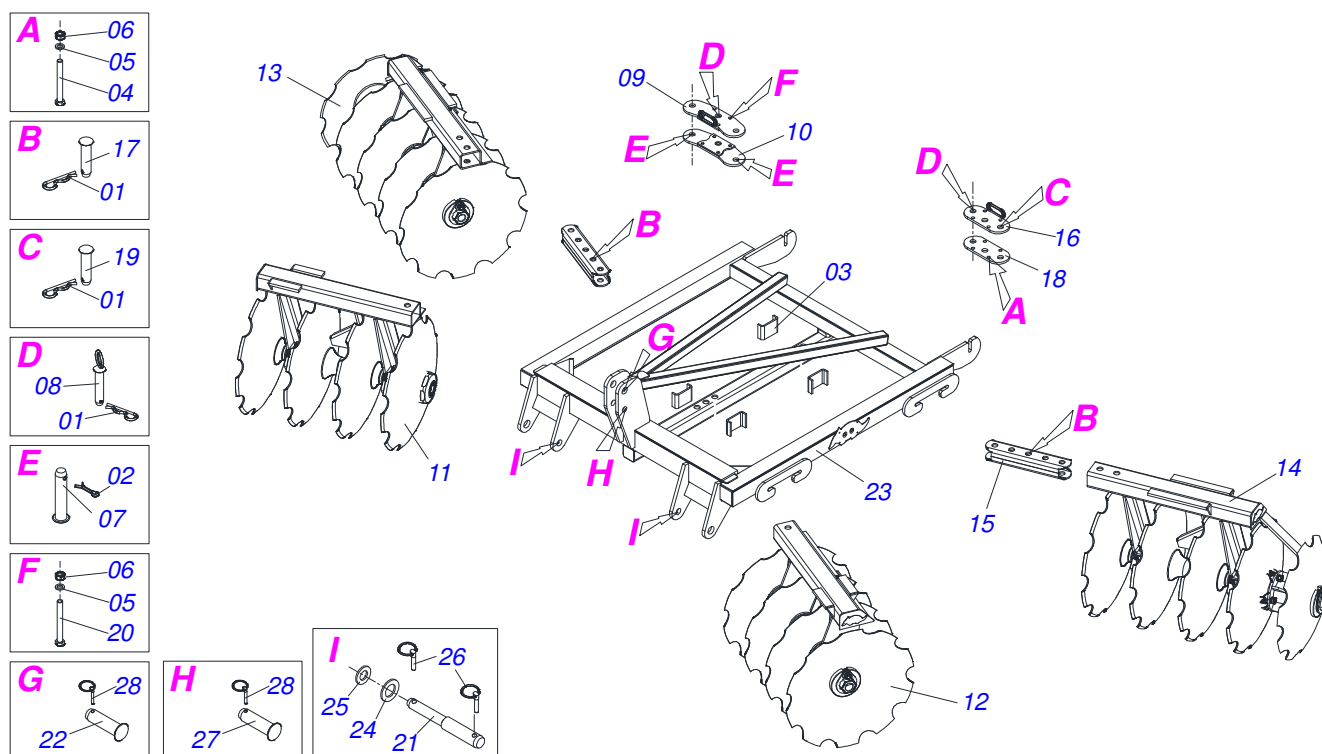
Code	Description
0102190196	GH2 1009T 18 X 24X4,75DM MT FF S308
0102190197	GH2 1009T 16 X 24X4,75 DM MT S-0308
0102190198	GH2 1009T 22 X 24X4,75DM MT FF S308
0102190199	GH2 1009T 20 X 24X4,75 DM MT S-0308

ATTENTION: **IMPORTANT**

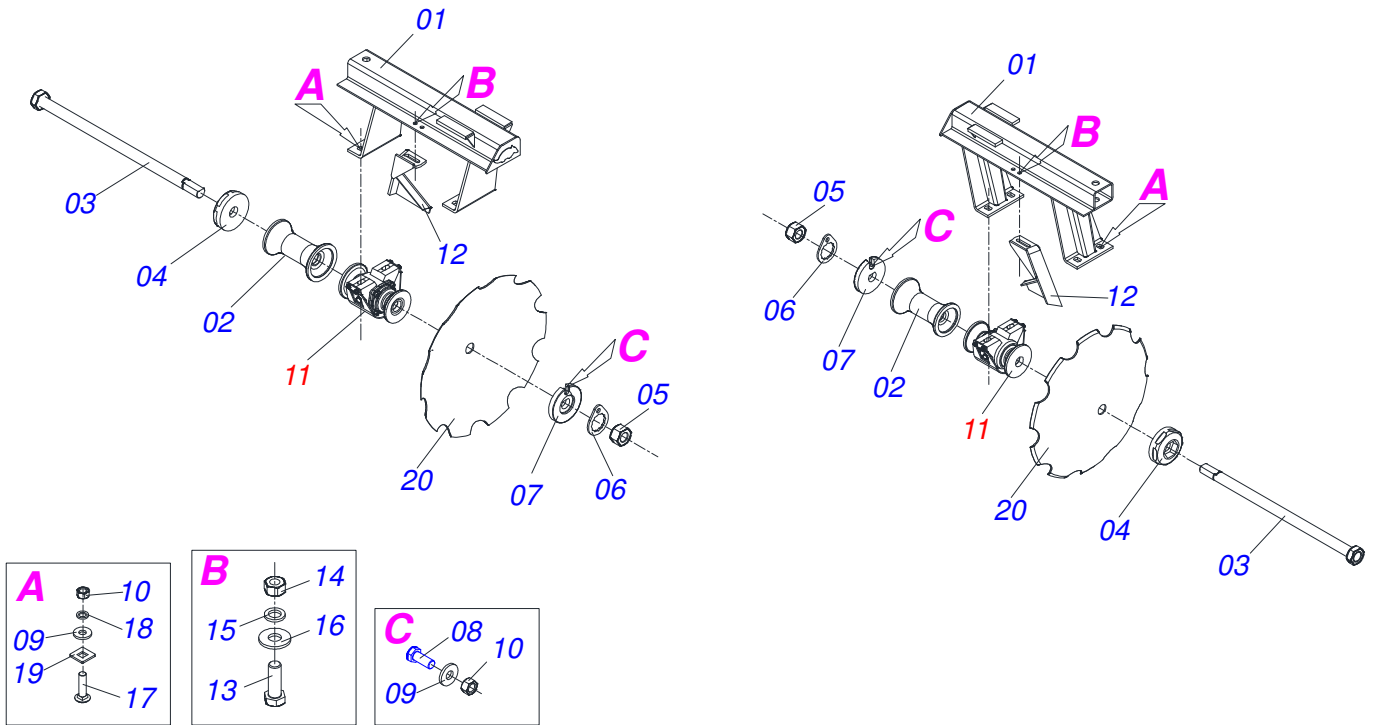
MARCHESAN S/A RESERVES THE RIGHT AT ANY TIME TO MAKE IMPROVEMENTS IN THE DESIGN, MATERIAL OR SPECIFICATIONS OF MACHINERY, EQUIPMENT OR PARTS WITHOUT THEREBY BECOMING LIABLE TO MAKE SIMILAR CHANGES IN MACHINERY, EQUIPMENT OR PARTS PREVIOUSLY SOLD.

INDEX

0909094018	GH2 1009T	1
0909093383	FRONT FRAME ASSY	2
0909093384	RIGHT LEFT REAR FRAME ASSY	3
0501046311	OIL BATH BEARING	4

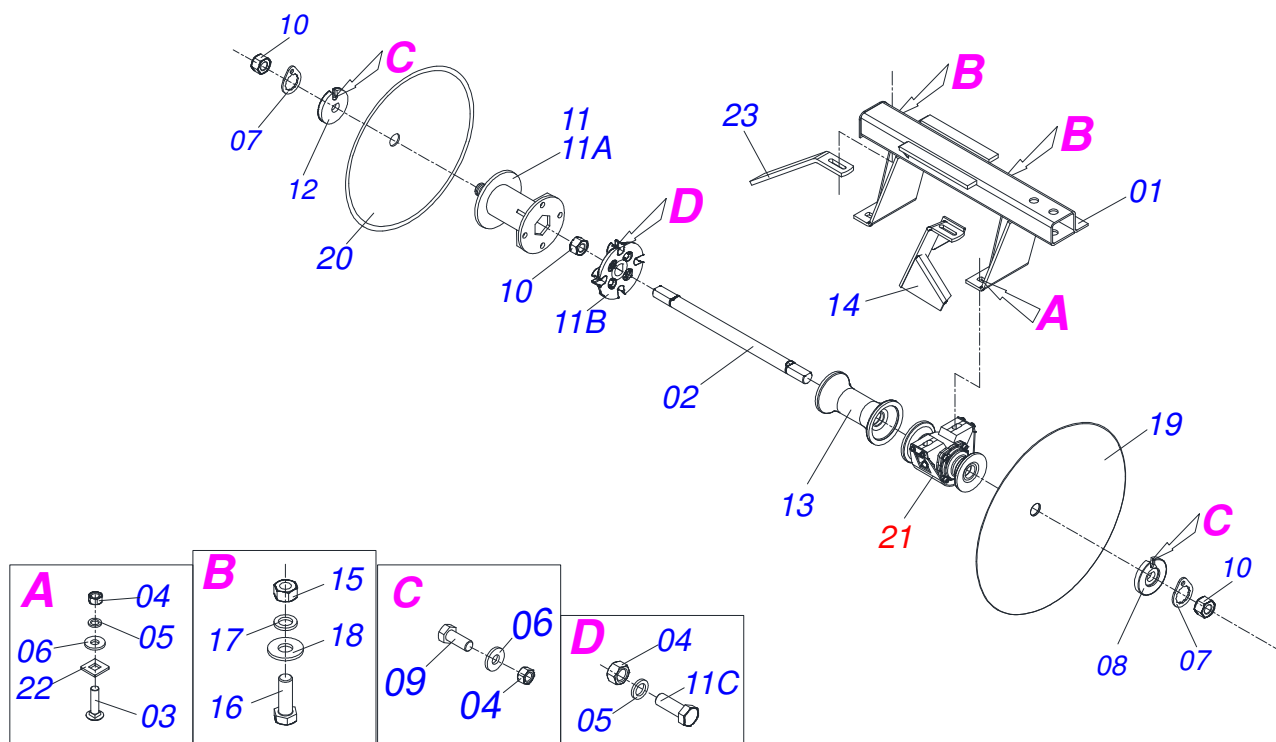


Item	Code	Description	16	18	20	22
00	0909094018	GH2 1009T	01	01	01	01
01	0503031035	HAIR PIN	06	06	06	06
02	0503010571	1/4" X 1.1/2 COTTERPIN	06	06	06	06
03	0541018541	REGULATOR GUIDES	04	04	04	04
04	0503010384	1/2" X 5" BOLT	04	04	04	04
05	0503010019	1/2" SPRING WASHER	08	08	08	08
06	0503010060	1/2" NUT	08	08	08	08
07	0521010581	0.9" X 4.9" COUPLING SHAFT	02	02	02	02
08	0511067081	LOCK PIN	02	02	02	02
09	0511068780	FRONT UPPER REGULACION	01	01	01	01
10	0511068795	FRONT LOWER REGULACION	01	01	01	01
11	0511069739	RIGHT FRONT FRAME	01	01		
11.	0511069743	RIGHT FRONT FRAME		01	01	
12	0511069740	LEFT FRONT FRAME	01	01		
12.	0511069744	LEFT FRONT FRAME		01	01	
13	0511069741	RIGHT REAR FRAME	01	01		
13.	0511069744	LEFT FRONT FRAME		01	01	
14	0511069742	LEFT REAR FRAME	01	01		
14.	0511069746	LEFT REAR FRAME		01	01	
15	0511066990	ADJUSTMENT TUBE	02	02	02	02
16	0511066991	REAR ADJUSTMENT BASE	01	01	01	01
17	0521010577	0.9" X 4.1" COUPLING SHAFT	04	04	04	04
18	0541018540	REGULATORY BODY REAR BASE	01	01	01	01
19	0521010578	COUPLING SHAFT	03	03	03	03
20	0503010706	1/2" X 4.1/2" BOLT	04	04	04	04
21	0541015542	1.1/8" HITCH AXLE	03	03	03	03
22	0511011887	COUPLING SHAFT	02	02	02	02
23	0511069738	FRAME GH2 1009T 16 A22	01	01	01	01
24	0501012916	FLAT WASHER 38,50 X 66 X 4,75 ZN	02	02	02	02
25	0511017480	FLAT WASHER	02	02	02	02
26	0503030430	7/16 X 2" PIN LOCK	04	04	04	04
27	0521010578	COUPLING SHAFT	01	01	01	01
28	0503030085	LOCK PIN	02	02	02	02

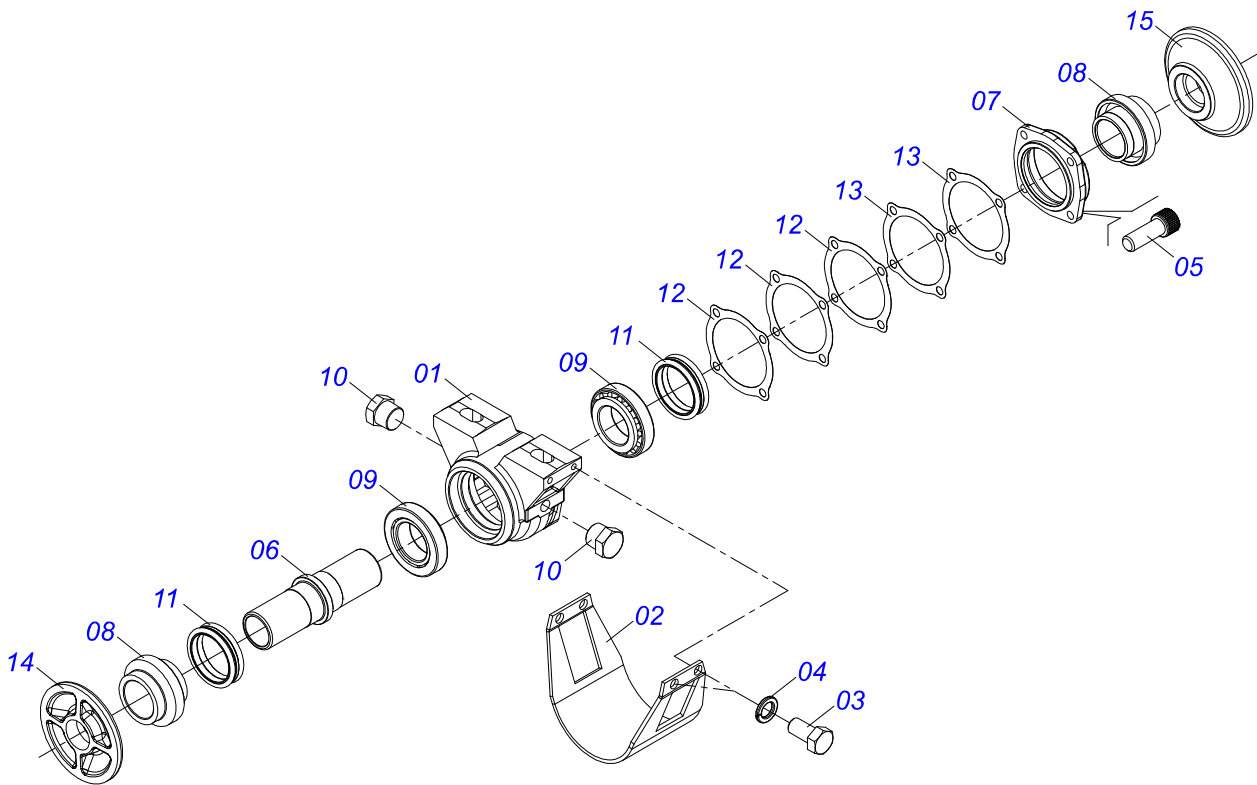


Item	Code	Description	QT
01	0511069739	RIGHT FRONT FRAME	01
01.	0511069740	LEFT FRONT FRAME	01
02	0502010621	8.8" 1-1/2" SPACER	01
03	0511069751	1-1/2" UNC X 795 AXLE ASSY	02
04	0502010619	1.1/2" EXTERNAL AXLE WASHER	01
05	0501010110	1.1/2" NUT	06
06	0501018592	1.5/8" NUT LOCK	01
07	0502010872	1-1/2" INNER AXLE WASHER	01
08	0503011267	5/8" X 1.1/2" BOLT	01
09	0501012140	FLAT WASHER	02
10	0503010013	5/8" NUT	02
11	0501046311	OIL BATH BEARING	08
12	0511066928	RH FRONT/LH REAR SCRAPER	02
12.	0551019356	LEFT SCRAPER (FURROW FILLER)	02
13	0503010920	1/2" X 1.1/2" BOLT	01
14	0503010060	1/2" NUT	01
15	0503010019	1/2" SPRING WASHER	01
16	0511017302	FLAT WASHER	01
17	0501014177	5/8" X 2-1/2" BOLT	01
18	0503010027	SPRING WASHER	01
19	0501010947	5/8" NUT LOCK	01
20	0602030419	24" X 4,75" NOTCHED DISC BLADE	08

RIGHT LEFT REAR FRAME ASSY



Item	Code	Description	QT
01	0511069741	RIGHT REAR FRAME	01
01.	0511069742	LEFT REAR FRAME	01
02	0511010766	1-1/2" X 810 AXLE ASSY	02
03	0501014177	5/8" X 2-1/2" BOLT	01
04	0503010013	5/8" NUT	03
05	0503010027	SPRING WASHER	01
06	0501012140	FLAT WASHER	03
07	0501018592	1.5/8" NUT LOCK	02
08	0502010872	1-1/2" INNER AXLE WASHER	01
09	0503011267	5/8" X 1.1/2" BOLT	02
10	0501010110	1.1/2" NUT	06
11	0501056745	COMPLEMENT KIT GANG DISK	01
11A	0511067145	227 SPACER	01
11B	0502012376	1-1/2" EXTERNAL AXLE LOCK	01
11C	0503010232	5/8" X 1.3/4" BOLT	04
12	0502010871	1-1/2" EXTERNAL AXLE WASHER	01
13	0502010621	8.8" 1-1/2" SPACER	01
14	0511066927	LH FRONT/RH REAR SCRAPER	01
14.	0511066928	RH FRONT/LH REAR SCRAPER	01
15	0503010060	1/2" NUT	03
16	0503010920	1/2" X 1.1/2" BOLT	03
17	0503010019	1/2" SPRING WASHER	03
18	0511017302	FLAT WASHER	03
19	0601031114	24" X 4,75 PLAIN DISC BLADE	08
20	0601029302	22" X 4,5 PLAIN DISC BLADE	02
21	0501046311	OIL BATH BEARING	08
22	0501010947	5/8 NUT LOCK	04
23	0551019356	LEFT SCRAPER (FURROW FILLER)	01
23.	0551019355	RH SCRAPER SUPPORT FURROW FILLER	01



Item	Code	Description	QT
01	0502011751	OIL HOUSING BEARING	01
02	0511010829	BEARING GUARD	01
03	0503011334	3/8" X 3/4" BOLT	04
04	0503010025	3/8 SPRING WASHER	04
05	0503010134	3/8" X 1" BOLT	04
06	0502040611	AXLE	01
07	0502020424	HOUSING CAP DM	01
08	0502010821	SEAL RETAINER	02
09	0503010006	32210 ROLLER BEARING	02
10	0503010856	OIL PLUG	02
11	0503030026	SEAL LP JB-253	02
12	0503030013	4.4" X 3.5" X 0.004" JOINT	03
13	0503030684	4.4" X 3.5" X 0.004" JOINT	02
14	0502010605	INNER FLANGE	01
15	0502010604	OUTER FLANGE	01



MARCHESAN IMPLEMENTOS E MÁQUINAS AGRÍCOLAS TATU S.A.

AV. Marchesan, 1979 - Post office box, 131 - CEP 15994-900 - Matão - SP - Brazil

Phone +55 16.3382-8282

(FAX Parts) + 55 16.3382. 8297 - (Export) + 55 16.3382.1003

e.mail: tatu@marchesan.com.br www.marchesan.com.br

Technical Publications: Elaboration

ALESSANDRA PATRICIA KAWAHARA CARRILI

Technical Publications: Revision

ALESSANDRA PATRICIA KAWAHARA CARRILI

Contact Catálogo:

E-mail = jgaspari@marchesan.com.br

**ORIGINAL PARTS
TATU**

