

**HINGE TYPE OFFSET DISK HARROW**

**GNLCR 25 A 37 D**

**Code:** 0501091208  
**Series:** S-0199  
**Revision:** 00  
**Date Revision:** JUNHO/2003

# PARTS CATALOGUE



**MARCHESAN**



# PRODUCTS

Code	Description
0102140089	GNLCR 25 X 16 X 3,50 CM MT S-0199
0102140079	GNLCR 25 X 16 X 3,50 DM MT S-0199
0102140084	GNLCR 25 X 18 X 3,50 CM MT S-0199
0102140003	GNLCR 25 X 18 X 3,50 DM DR S-0199
0102140074	GNLCR 25 X 18 X 3,50 DM MT S-0199
0102140090	GNLCR 27 X 16 X 3,50 CM MT S-0199
0102140080	GNLCR 27 X 16 X 3,50 DM MT S-0199
0102140085	GNLCR 27 X 18 X 3,50 CM MT S-0199
0102140095	GNLCR 27 X 18 X 3,50 DM DR S-0199
0102140075	GNLCR 27 X 18 X 3,50 DM MT S-0199
0102140004	GNLCR 27 X 20 X 3,50 DM DR S-0199
0102140091	GNLCR 29 X 16 X 3,50 CM MT S-0199
0102140081	GNLCR 29 X 16 X 3,50 DM MT S-0199
0102140086	GNLCR 29 X 18 X 3,50 CM MT S-0199
0102140002	GNLCR 29 X 18 X 3,50 DM DL S-0199
0102140076	GNLCR 29 X 18 X 3,50 DM MT S-0199
0102140092	GNLCR 33 X 16 X 3,50 CM MT S-0199
0102140082	GNLCR 33 X 16 X 3,50 DM MT S-0199
0102140087	GNLCR 33 X 18 X 3,50 CM MT S-0199
0102140077	GNLCR 33 X 18 X 3,50 DM MT S-0199
0102140094	GNLCR 33 X 20 X 3,50 DM DR S-0199
0102140093	GNLCR 37 X 16 X 3,50 CM MT S-0199
0102140083	GNLCR 37 X 16 X 3,50 DM MT S-0199
0102140088	GNLCR 37 X 18 X 3,50 CM MT S-0199
0102140001	GNLCR 37 X 18 X 3,50 DM DR S-0199
0102140078	GNLCR 37 X 18 X 3,50 DM MT S-0199

## ATTENTION: IMPORTANT

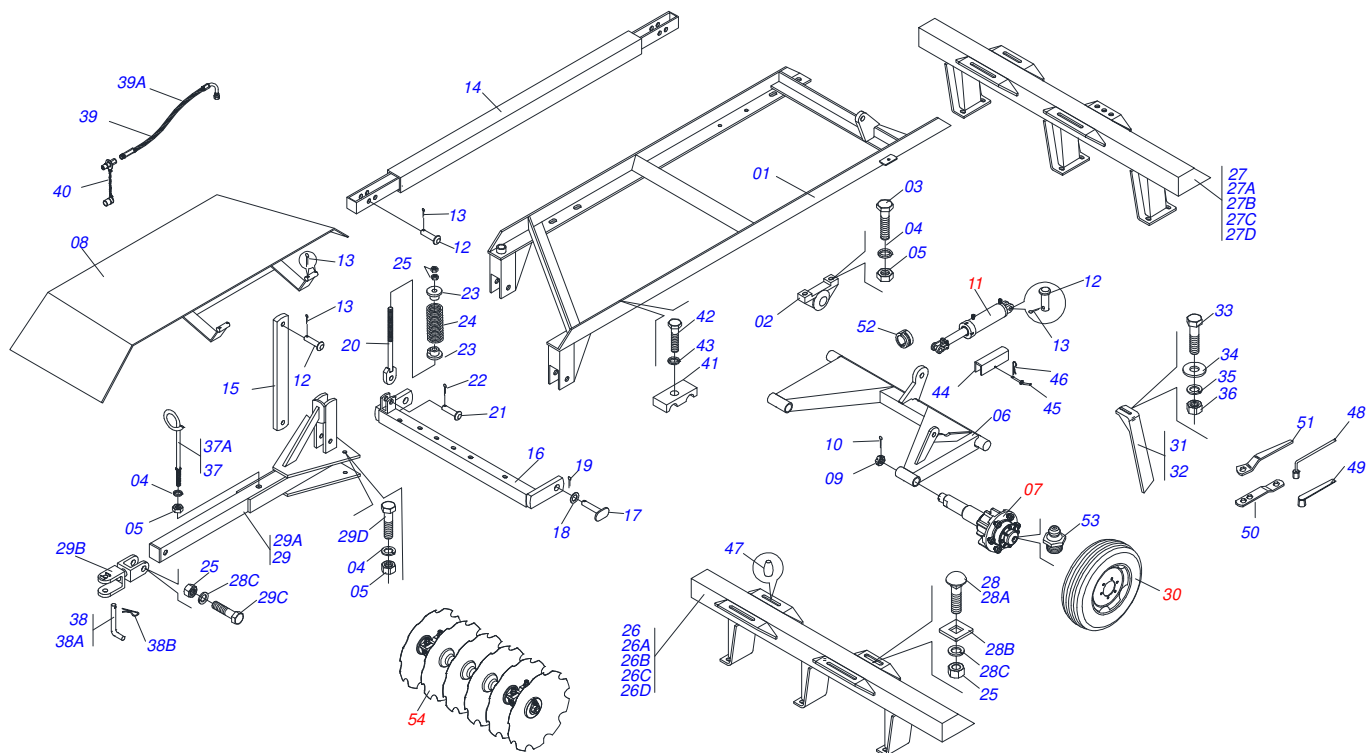
Marchesan S.A. reserves the right to improve and/or modify the technical features of its products, without obligation to do the same with those products already sold and without prior knowledge of the dealer or the customer. The photos are only illustrative.



**MARCHESAN**

# INDEX

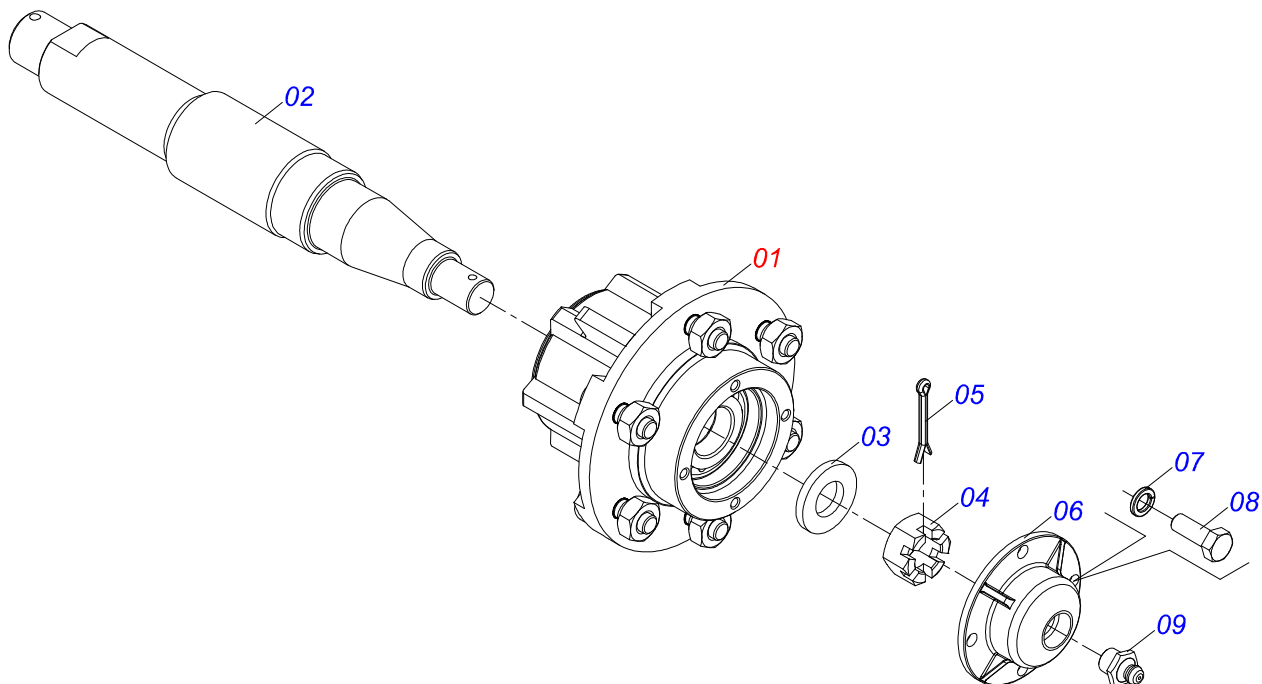
0909090214	FRAME 25 A 37	.....	1
0501051634	TSTUB SHAFT & HUB ASSY	.....	2
0503060094	WHEEL AND TIRE ASSY	.....	3
0501048464	1.7" X 3.4" X 21" X 7" HYDRAULIC CYLINDER	.....	4
0909090215	GANG DISC	.....	5
0501046911	CM GX 7" 1-1/4" PR BEARING ASSY	.....	6
0501043363	CM GX 7" 1-1/4" BEARING ASSY	.....	7
0501046920	1-1/4" BATH BEARING	.....	8
0501042179	1-1/4" BATH BEARING	.....	9



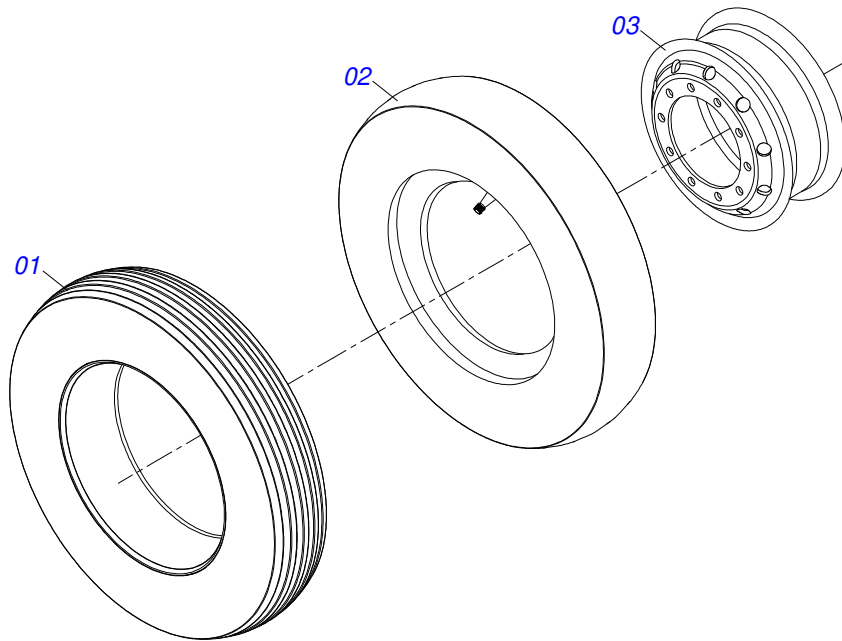
Item	Code	Description	See page	25	27	29	33	37
01	0501065474	CENTER FRAME		01	01	01	01	01
02	0502010006	ARTICULACION BEARING		02	02	02	02	02
03	0503010797	3/4" X 4" BOLT		04	04	04	04	04
04	0503010023	3/4" SPRING WASHER		04	04	04	04	04
05	0503010014	3/4" HEX NUT		06	06	06	06	06
06	0501065477	CARRYING-WHEELS		01	01	01	01	01
07	0501051634	TSTUB SHAFT & HUB ASSY	2	02	02	02	02	02
08	0501063477	COVER		01	01	01	01	01
09	0501011301	1.1/2 UNC 6FPP 2.5/16 NUT		02	02	02	02	02
10	0503010010	1/4" X 2.1/2" COTTERPIN		02	02	02	02	02
11	0501048464	1.7" X 3.4" X 21" X 7" HYDRAULIC CYLINDER	4	01	01	01	01	01
12	0521010575	C0.9" X 3.3" COUPLING SHAFT		04	04	04	04	04
13	0503010571	1/4" X 1.1/2 COTTERPIN		04	04	04	04	04
14	0501065476	STABILIZER BAR		01	01	01	01	01
15	0511010887	STABILIZER BAR TOWER		01	01	01	01	01
16	0501065471	OFFSET BAR		01	01	01	01	01
17	0521010620	1.5" X 4.6" COUPLING SHAFT		02	02	02	02	02
18	0501012916	FLAT WASHER 40 X 66 X 4,75 ZN		02	02	02	02	02
19	0503010534	3/8 X 2-1/2 COTTERPIN		02	02	02	02	02
20	0501065470	SPRING ROD		01	01	01	01	01
21	0521010592	1.1" X 3.1" COUPLING SHAFT		01	01	01	01	01
22	0503010571	1/4" X 1.1/2 COTTERPIN		01	01	01	01	01
23	0502020392	SPRING SUPPORT		02	02	02	02	02
24	0503030441	12.7" X 5.7" X 0.5"SPRING		01	01	01	01	01
25	0501010059	1.5/8 NUT		10	10	10	10	10
26	0501063473	FRONT FRAME		01	00	00	00	00
26A	0501067370	83.85" FRONT FRAME		00	01	00	00	00
26B	0501063475	FRONT FRAME		00	00	01	00	00
26C	0501063506	FRONT FRAME		00	00	00	01	00
26D	0501063603	FRONT FRAME		00	00	00	00	01
27	0511060420	86" REAR FRAME		01	00	00	00	00



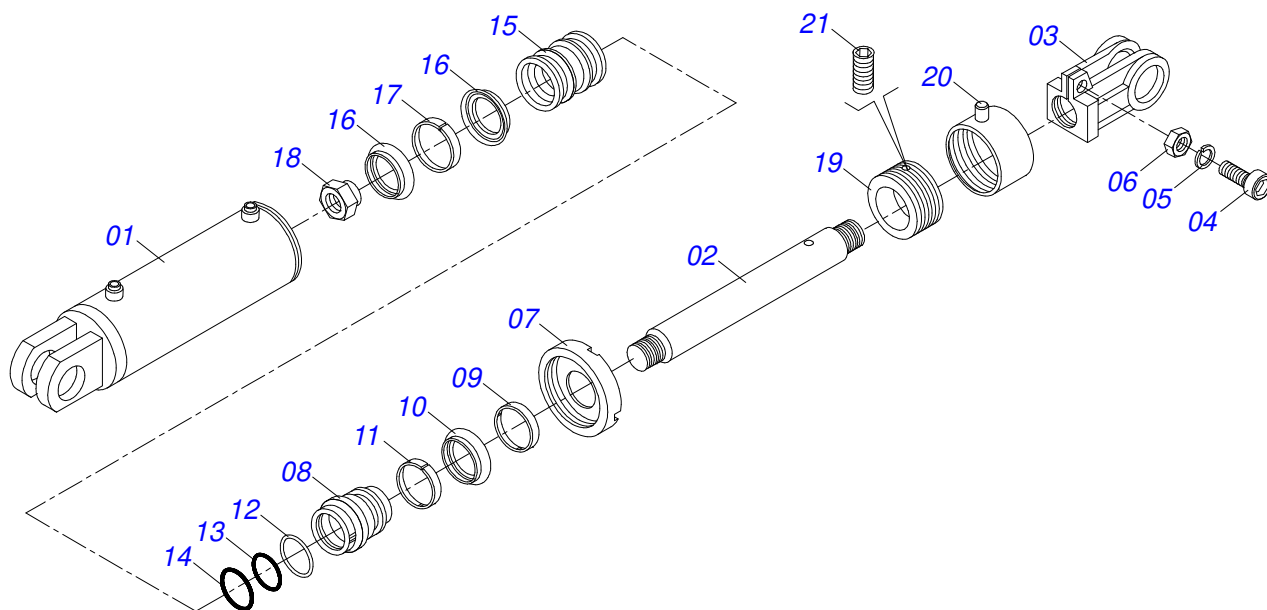
Item	Code	Description	See page	25	27	29	33	37
27A	0511060421	93" REAR FRAME		00	01	00	00	00
27B	0511060422	100" REAR FRAME		00	00	01	00	00
27C	0511060423	113" REAR FRAME		00	00	00	01	00
27D	0511060424	127" REAR FRAME		00	00	00	00	01
28	0501040877	C1" X 3-1/4" ASSY BOLT		08	08	08	08	08
28A	0501014309	C1" X 3-1/4" BOLT		08	08	08	08	08
28B	0501010951	1" SQUARE WASHER		08	08	08	08	08
28C	0503010012	1" SPRING WASHER		08	08	08	08	08
29	0501043732	DRAWBAR ASSY		01	01	01	01	01
29A	0501065478	DRAWBAR ASSY		01	01	01	01	01
29B	0501060582	TRACTOR HITCH		01	01	01	01	01
29C	0501010372	1" X 5-1/2" BOLT		01	01	01	01	01
29D	0501010383	3/4" X 5" BOLT		03	03	03	03	03
30	0503060094	WHEEL AND TIRE ASSY	3	02	02	02	02	02
31	0501064309	FRONT SCRAPER		08	08	10	11	13
32	0501064310	REAR SCRAPER		08	08	10	11	13
33	0503010920	1/2 UNC X 1.1/2 C S G.5 ZN BOLT		16	16	20	22	26
34	0511017302	FLAT WASHER 13,50 X 32,50 X 3,0 ZN		16	16	20	22	26
35	0503010019	1/2" SPRING WASHER		16	16	20	22	26
36	0503010060	1/2 UNC G.5 ZN HEX NUT		16	16	20	22	26
37	0501040257	ASSY 3/4 X 38 HOSE SUPPORT		01	01	01	01	01
37A	0501060337	3/4" X 47.2" HOSE HOLDER ASSY		01	01	01	01	01
38	0501040343	DRAWBOLT ASSY		01	01	01	01	01
38A	0501010523	DRAWBOLT		01	01	01	01	01
38B	0503031035	HITCH PIN CLIP		01	01	01	01	01
39	0501080410	3/8 X 5300 TC-TM HOSE		01	01	01	01	01
39A	0501080426	3/8" X 220" TC-TM HOSE ASSY		01	01	01	01	01
40	0501053834	MALE QUICK COUPLER		02	02	02	02	02
41	0502010477	HOSE CLAMP		01	01	01	01	01
42	0503010751	C3/8" X 1.1/4" HEX BOLT G.5		01	01	01	01	01
43	0503010025	3/8 SPRING WASHER		01	01	01	01	01
44	0521014258	LOCK BOLT		01	01	01	01	01
45	0501068994	8,30 X 78 LOCK PIN		01	01	01	01	01
46	0503030168	HITCH PIN CLIP		01	01	01	01	01
47	0503030403	1.85" X 2.87" BEATER		01	01	01	01	01
48	0501068273	5/8" WRENCH		01	01	01	01	01
49	0501061617	1" GANG BOLT WRENCH		01	01	01	01	01
50	0511018451	5/8" X 3/4" X 1" UNIVERSAL		01	01	01	01	01
51	0501010198	1-1/4" CABLE FLAT WRENCH		02	02	02	02	02
52	0501047884	0.98" ROD STOP		02	02	02	02	02
53	0503010002	1800 GREASE FITTING		02	02	02	02	02
54	0909090215	GANG DISC	5	01	01	01	01	01



Item	Code	Description	See page	QT
01	0501051142	CARRYING WHEEL HUB		01
02	0521010821	2.5" X 16.5" AXLE		01
03	0501016545	FLAT WASHER		01
04	0503030009	1" CASTLE NUT		01
05	0503010018	5/32 X 1-1/2 COTTERPIN		01
06	0502020591	PROTECCION COVER		01
07	0503011444	SPRING WASHER		04
08	0503010358	5/16" X 5/8" BOLT		04
09	0503010002	1800 GREASE FITTING		01

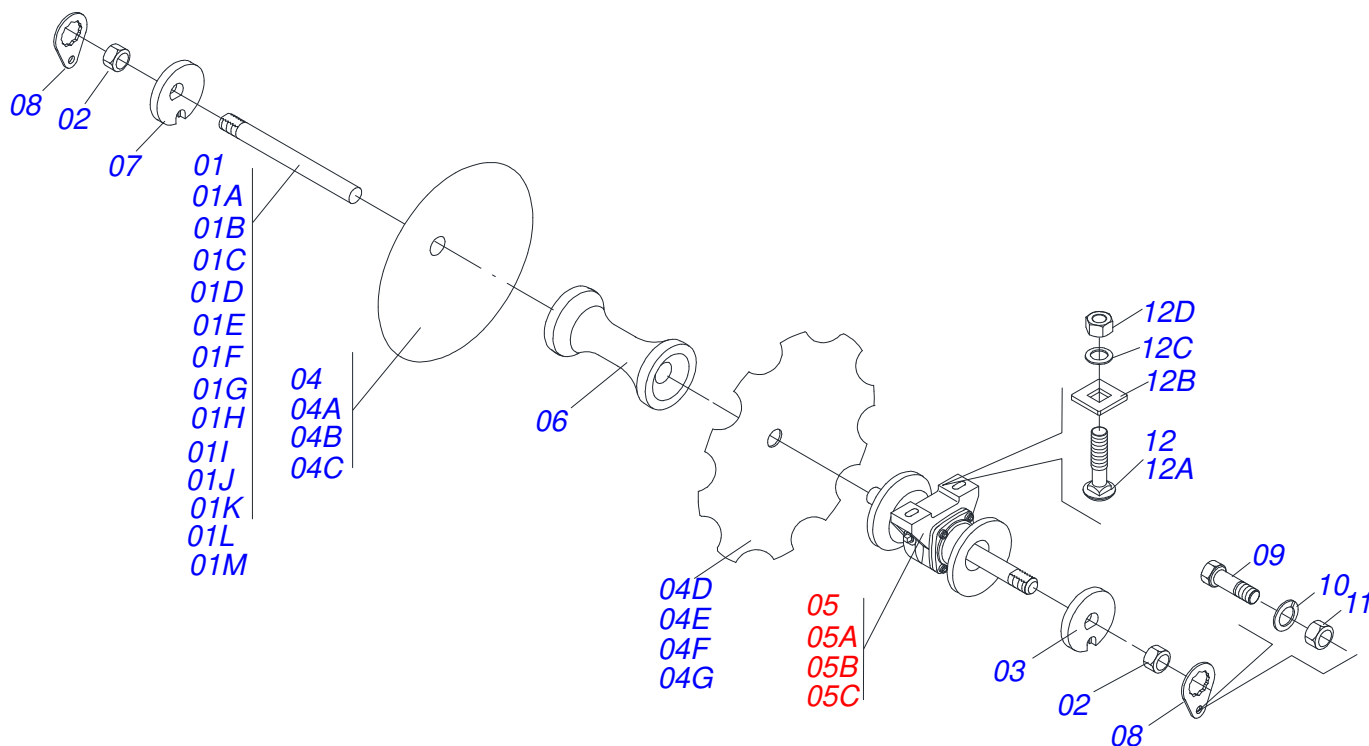


Item	Code	Description	See page	QT
01	0503010065	CANVAS TIRE		01
02	0503010068	6.00 X 16 INNER TIRE		01
03	0503010894	0.2"X0.6"X4.6"X6F0.6"X6" WHEEL		01



Item	Code	Description	See page	QT
01	0501064255	2.4" X 8" CYLINDER CASE		01
02	0521014292	1.7" X 15" TURNBUCLE WITH HOLES		01
03	0502040493	CLEVIS 26,50 R41		01
04	0503011094	3/8" X 2" BOLT		01
05	0503010025	3/8 SPRING WASHER		01
06	0503010026	3/8" NUT		01
07	0502010993	DETACHABLE COVER		01
08	0502010781	RING SUPPORT		01
09	0503010761	D-1750 SCRAPER RING		01
10	0503010990	GASKET		01
11	0503010949	W2-2000-500 PK RING G.E		01
12	0503011060	8-336 BACK-UP RING		01
13	0503010976	2-336 N 3006-9B O'RING		01
14	0503010042	2-214 N 3006-9B O'RING		01
15	0502010843	1.8" X 3.4" PISTON		01
16	0503010170	PACKING 3120 2750		02
17	0503010948	W4-3346-590 PK RING G.E		01
18	0503010063	1" SELF-ALIGNING NUT		01
19	0521014003	ADJUSTMENT INNER BODY CARRY-WHEEL		01
20	0511060370	CARRY-W REG OUTER BODY ASSY		01
21	0503011148	3/8" X 1/2" BOLT		02
22	0501031796	HYDRAULIC CYLINDER REPAIR KIT		





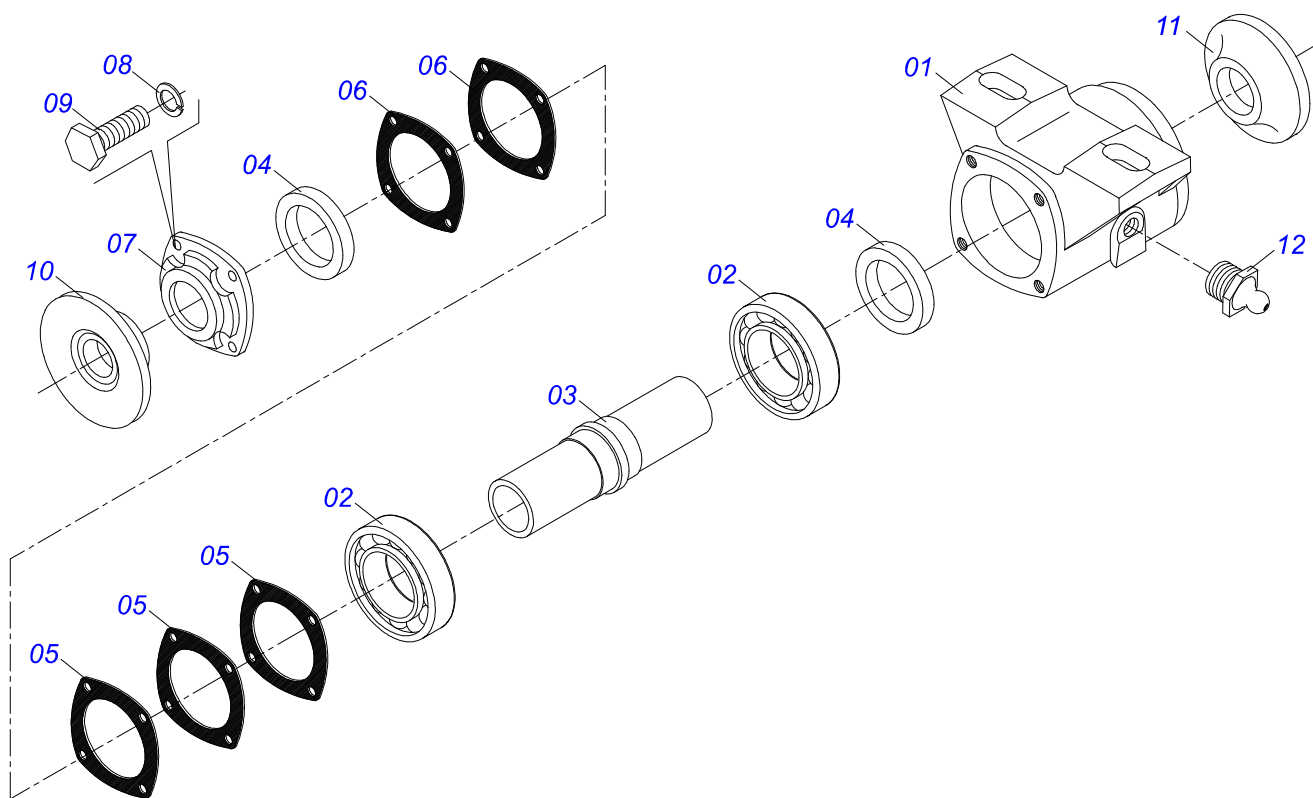
Item	Code	Description	See page	25	27	29	33	37
01	0501040695	1-1/4" X 52" AXLE WITH NUTS		00	00	00	03	00
01A	0501040696	1-1/4" X 59" AXLE WITH NUTS		00	00	00	01	03
01B	0501042946	1-1/4" X 66" AXLE WITH NUTS		00	00	00	00	01
01C	0501040253	1-1/4" X 80" AXLE WITH NUTS		01	00	00	00	00
01D	0501046982	1-1/4" X 86" AXLE WITH NUTS		01	01	00	00	00
01E	0501041160	1-1/4" X 93.5" AXLE WITH NUTS		00	01	01	00	00
01F	0511040195	1-1/4" X 100" AXLE WITH NUTS		00	00	01	00	01
01G	0501010437	1-1/4" X 52" AXLE		00	00	00	03	00
01H	0501010438	1-1/4" X 59" AXLE		00	00	00	01	03
01I	0501010439	1-1/4" X 66" AXLE		00	00	00	00	01
01J	0501010440	1-1/4" X 80" AXLE		01	00	00	00	00
01K	0511016479	1-1/4" X 86" AXLE		01	01	00	00	00
01L	0501012749	1-1/4" X 93.5" AXLE		00	01	01	00	00
01M	0521014257	1-1/4" X 100" AXLE		00	00	01	00	01
02	0501010087	1.1/4" NUT		04	04	04	08	08
03	0502010834	1-1/4" INNER AXLE WASHER		02	02	02	04	04
04	0601023044	16" X 0.1" PLAIN DISC BLADE		10	11	12	14	16
04A	0601021037	14" X 0.1" PLAIN DISC BLADE		03	03	03	03	03
04B	0601025178	18" X 0.1" PLAIN DISC BLADE		10	11	12	14	16
04C	0601023044	16" X 0.1" PLAIN DISC BLADE		03	03	03	03	03
04D	0602023077	16" X 0.2' NOTCHED DISC BLADE		10	11	12	14	16
04E	0602021022	14" X 0.2" NOTCHED DISC BLADE		02	02	02	02	02
04F	0602025175	18" X 0.2" NOTCHED DISC BLADE		10	11	12	14	16
04G	0602023077	16" X 0.2" NOTCHED DISC BLADE		02	02	02	02	02
05	0501046911	CM GX 7" 1-1/4" PR BEARING ASSY	6	03	03	03	03	03
05A	0501043363	CM GX 7" 1-1/4" BEARING ASSY	7	03	03	03	03	03
05B	0501046920	1-1/4" BATH BEARING	8	03	03	03	04	04
05C	0501042179	1-1/4" BATH BEARING	9	03	03	03	04	04
06	0502020068	6.57" SPACER		17	19	21	21	25
07	0502010835	1-1/4" EXTERNAL AXLE WASHER		02	02	02	04	04
08	0501010455	1.1/4" NUT LOCK		04	04	04	08	08



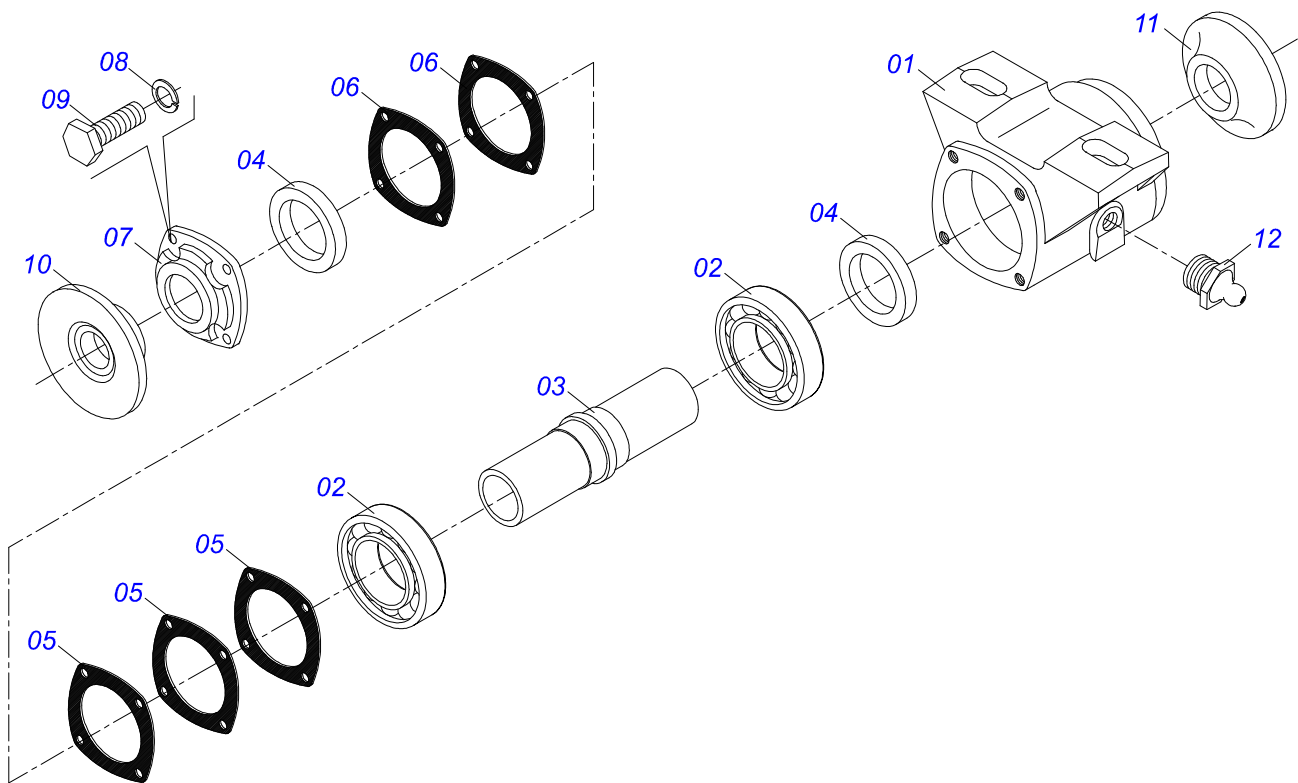
GANG DISC

0909090215

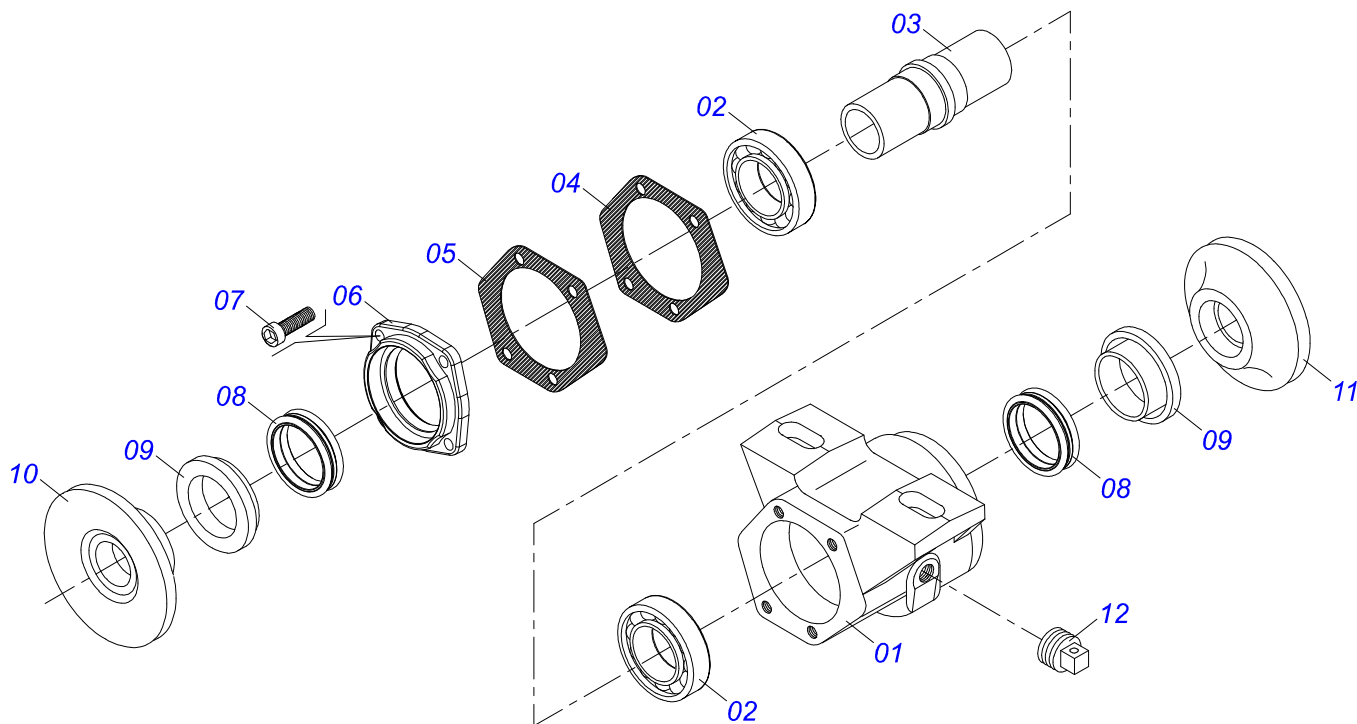
Item	Code	Description	See page	25	27	29	33	37
09	0501010161	1/2" X 1.1/4" BOLT		04	04	04	08	08
10	0503010019	1/2" SPRING WASHER		04	04	04	08	08
11	0503010060	1/2 UNC G.5 ZN HEX NUT		04	04	04	08	08
12	0501048788	IMPLEMENT PARTS ASSY 5/8 UNC X 2.1/2 CA		12	12	12	16	16
12A	0501014177	5/8" X 2-1/2" BOLT		12	12	12	16	16
12B	0501010947	5/8 NUT LOCK		12	12	12	16	16
12C	0501012140	FLAT WASHER		12	12	12	16	16
12D	0503010013	5/8 NUT		24	24	24	32	32



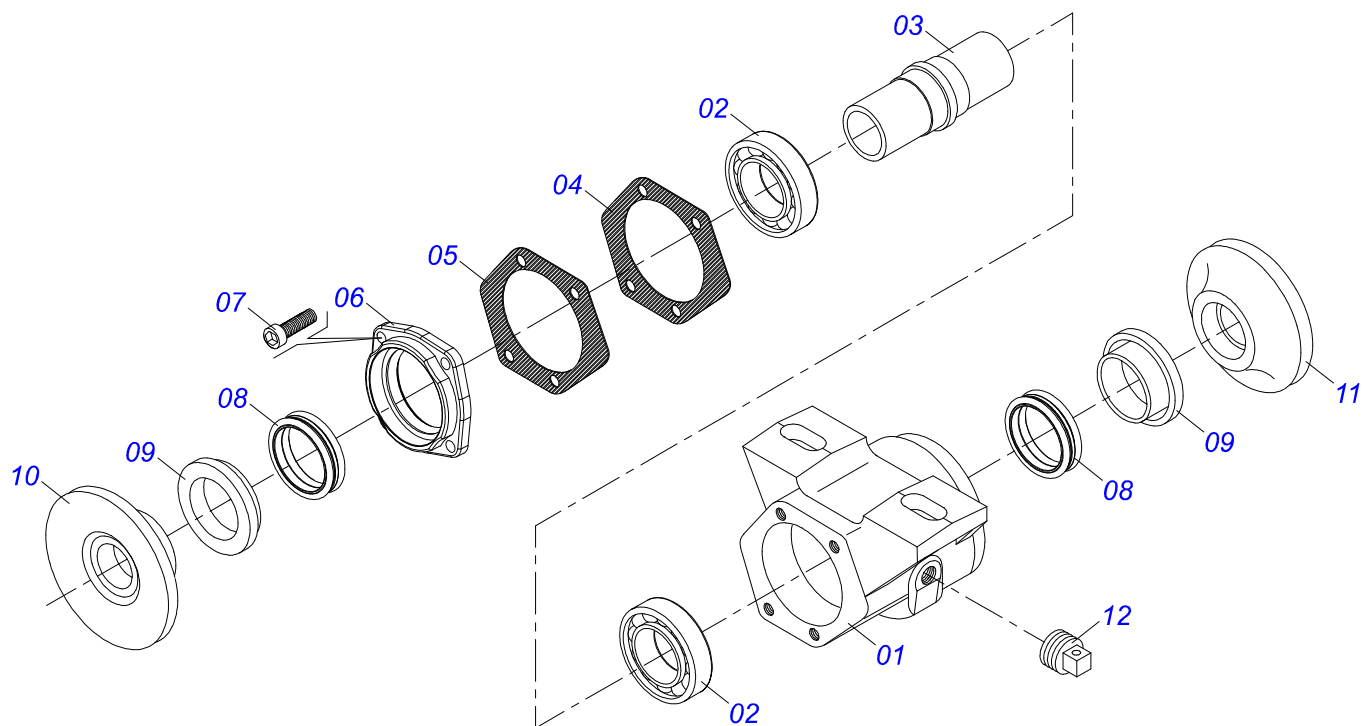
Item	Code	Description	See page	QT
01	0502020313	HOUSING CM		01
02	0503010111	30210 ROLLER BEARING		02
03	0502040218	AXLE		01
04	0503010468	SEAL 01199-GB		02
05	0503030013	4.4" X 3.5" X 0.004" JOINT		03
06	0503030684	4.4" X 3.5" X 0.004" JOINT		02
07	0502020273	HOUSING CAP CM		01
08	0503010025	3/8 SPRING WASHER		04
09	0503010237	3/8" X 1" BOLT		04
10	0502010073	OUTER FLANGE		01
11	0502010074	INNER FLANGE		01
12	0503010002	1800 GREASE FITTING		02



Item	Code	Description	See page	QT
01	0502020489	HOUSING CM		01
02	0503010111	30210 ROLLER BEARING		02
03	0502040218	AXLE		01
04	0503010468	SEAL 01199-GB		02
05	0503030013	4.4" X 3.5" X 0.004" JOINT		02
06	0503030684	4.4" X 3.5" X 0.004" JOINT		01
07	0502020273	HOUSING CAP CM		01
08	0503010025	3/8 SPRING WASHER		04
09	0503010237	3/8" X 1" BOLT		04
10	0502010073	OUTER FLANGE		01
11	0502010074	INNER FLANGE		01
12	0503010002	1800 GREASE FITTING		01



Item	Code	Description	See page	QT
01	0502010540	HOUSING DM		01
02	0503010111	30210 ROLLER BEARING		02
03	0502040218	AXLE		01
04	0503030013	4.4" X 3.5" X 0.004" JOINT		02
05	0503030684	4.4" X 3.5" X 0.004" JOINT		01
06	0502020424	HOUSING CAP		01
07	0503010134	3/8" X 1" BOLT		04
08	0503030026	SEAL LP JB-253		02
09	0502010541	SEAL RETAINER		02
10	0502010073	OUTER FLANGE		01
11	0502010074	INNER FLANGE		01
12	0503010856	OIL PLUG		01



Item	Code	Description	See page	QT
01	0502010539	HOUSING DM	01	01
02	0503010111	30210 ROLLER BEARING	02	02
03	0502040218	AXLE	01	01
04	0503030013	4.4" X 3.5" X 0.004" JOINT	02	02
05	0503030684	4.4" X 3.5" X 0.004" JOINT	01	01
06	0502020424	HOUSING CAP	01	01
07	0503010134	3/8" X 1" BOLT	04	04
08	0503030026	SEAL LP JB-253	02	02
09	0502010541	SEAL RETAINER	02	02
10	0502010073	OUTER FLANGE	01	01
11	0502010074	INNER FLANGE	01	01
12	0503010856	OIL PLUG	01	01





**MARCHESAN**

**Technical Publications | Elaboration and Revision**

ALESSANDRA PATRICIA KAWAHARA CARRILI

[www.marchesan.com.br](http://www.marchesan.com.br)

