

HINGE TYPE OFFSET DISK HARROW

GNCR 56/60/64D - (AXIS 1.1/2")
GNCR 56/60/64D - (EIXO 1.1/2")

Code: 0501091207
Series: S-0996
Revision: 00
Revision Date: JANUARY/2023

PARTS CATALOGUE



MARCHESAN



PRODUCTS

Code	Working Width	Description
0102300129		GNCR 56 X 20 X 4,50 CM S-0996
0102300130		GNCR 56 X 20 X 4,50 DM S-0996
0102300124		GNCR 56 X 22 X 4,50 CM S-0996
0102300125		GNCR 56 X 22 X 4,50 DM S-0996
0102300176		GNCR 56 X 22 X 4,50 DM C/4 EIXO
0102300203		GNCR 56 X 22 X 4,50 DM DR S-0996
0102300207		GNCR 56 X 24 X 4,75 DM S-0996
0102300166		GNCR 56 X 24 X 6,00 DM S-0996
0102300131		GNCR 60 X 20 X 4,50 CM S-0996
0102300132		GNCR 60 X 20 X 4,50 DM S-0996
0102300330C		GNCR 60 X 20 X 4,50 DR DM E 1.1/2 PN11L15 EXP S-0996
0102300330		GNCR 60 X 20 X 4,50 DR DM E 1.1/2 PN11L15 S-0996
0102300126		GNCR 60 X 22 X 4,50 CM S-0996
0102300127		GNCR 60 X 22 X 4,50 DM S-0996
0102300208		GNCR 60 X 22 X 4,50 DM DR S-0996
0102300190		GNCR 60 X 22 X 4,50 DM PN-900 X 20
0102300204		GNCR 60 X 24 X 4,75 DM S-0996
0102300165		GNCR 60 X 24 X 6,00 DM S-0996
0102300133		GNCR 64 X 20 X 4,50 CM S-0996
0102300134		GNCR 64 X 20 X 4,50 DM S-0996
0102300128		GNCR 64 X 22 X 4,50 CM S-0996
0102300123C		GNCR 64 X 22 X 4,50 DM EXP S-0996
0102300123		GNCR 64 X 22 X 4,50 DM S-0996
0102300205		GNCR 64 X 22 X 4,50 DM DL S-0996
0102300217		GNCR 64 X 22 X 4,50 DM DR S-0996
0102300184		GNCR 64 X 24 X 4,75 DM S-0996

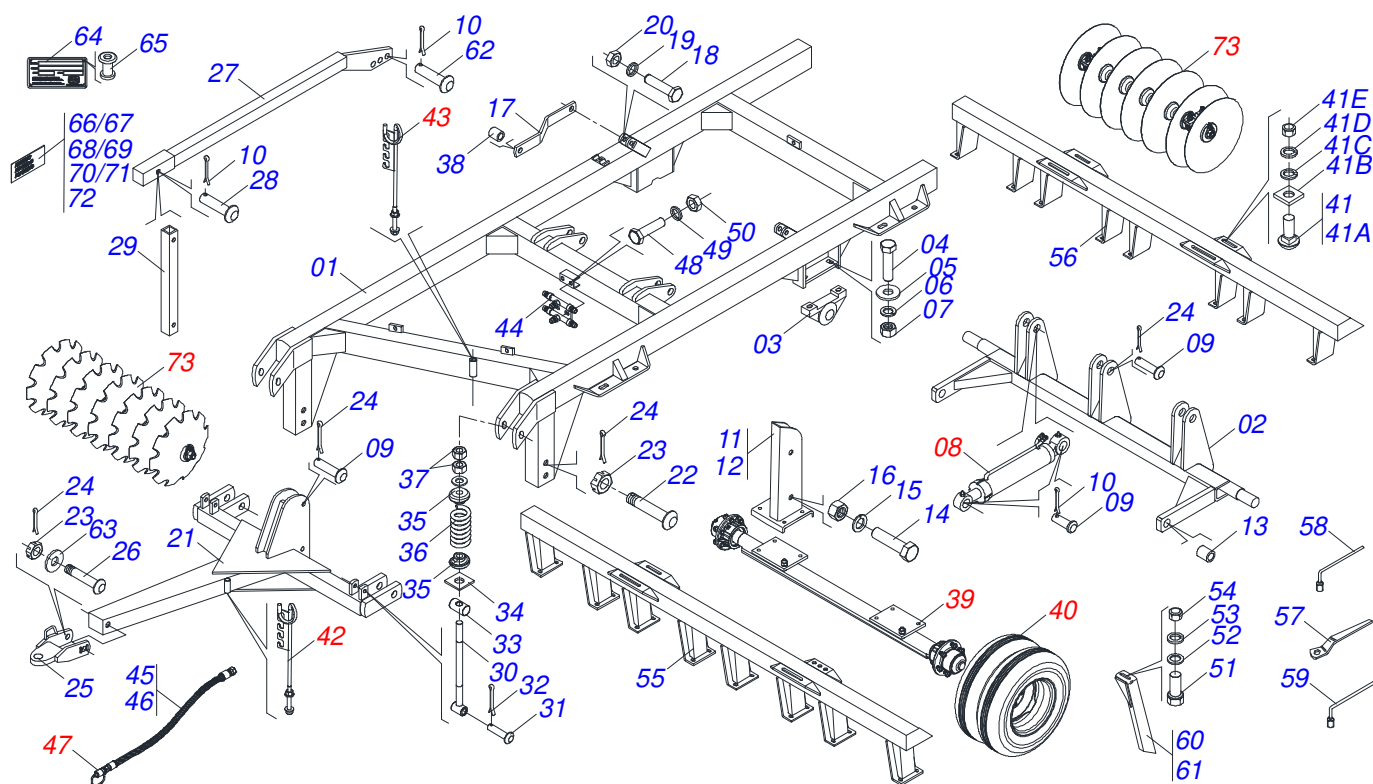
ATTENTION: IMPORTANT

Marchesan S.A. reserves the right to improve and/or modify the technical features of its products, without obligation to do the same with those products already sold and without prior knowledge of the dealer or the customer. The photos are only illustrative.



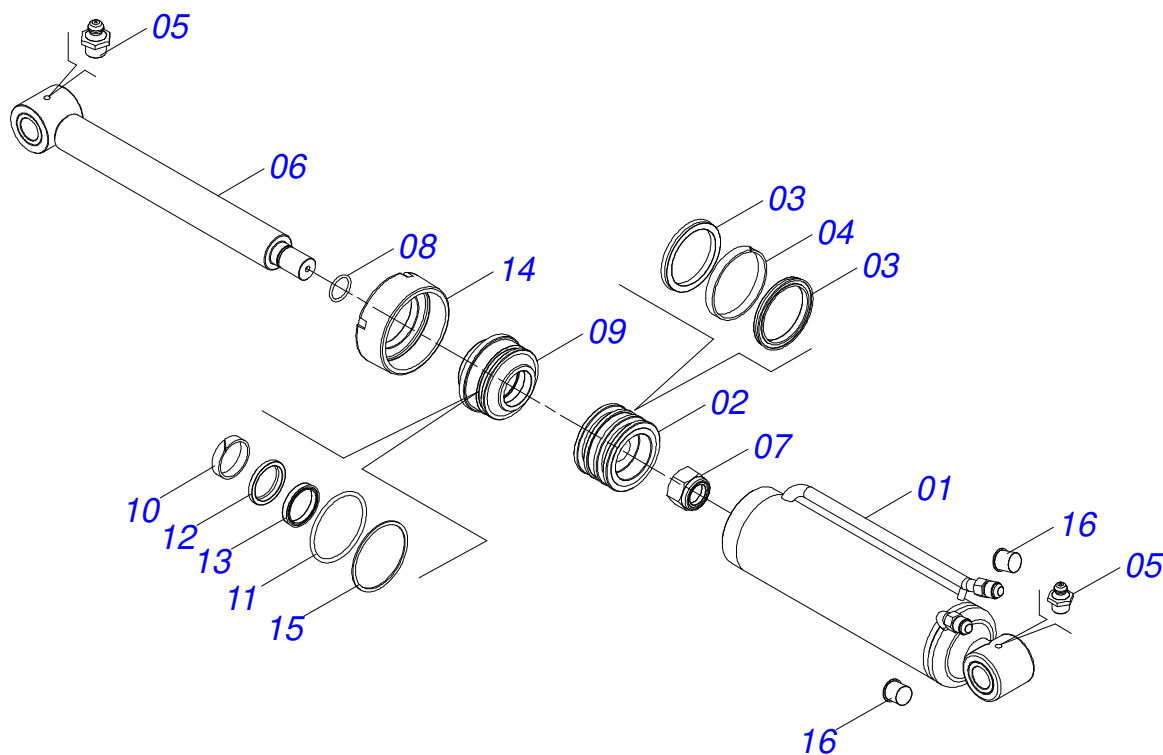
INDEX

0909094016	ASSY FRAME - 56/60/64	1
0501040084	HYDRAULIC CYLINDER 50,8 X 101 X 552 X 262 BBR1/2	2
0511059060	50,80 X 101,60 X 561 X 264 HYDRAULIC CYLINDER	3
0501047109	WHEEL WITHOUT TIRE 3 X 2780 MM	4
0503060005	29.5"X0.63"-10L WHEEL WITH TIRE ASSY	5
0503060046	WHEEL WITH TIRE 900 X 20-14L ASSY	6
0501040364	HOSE SUPPORT ASSEMBLY	7
0501040257	ASSY 3/4 X 38 HOSE SUPPORT	8
0501053834	MALE QUICK COUPLER	9
0909094017	ASSY DISC GANG SECTION	9
0501047055	BEARING	10
0501047045	CM GX 192,5 1.1/2 PR BEARING	11
0501041557	225MM X 1.5/8" RD. OIL BATH BEARING	12
0501046981	BEARING	13

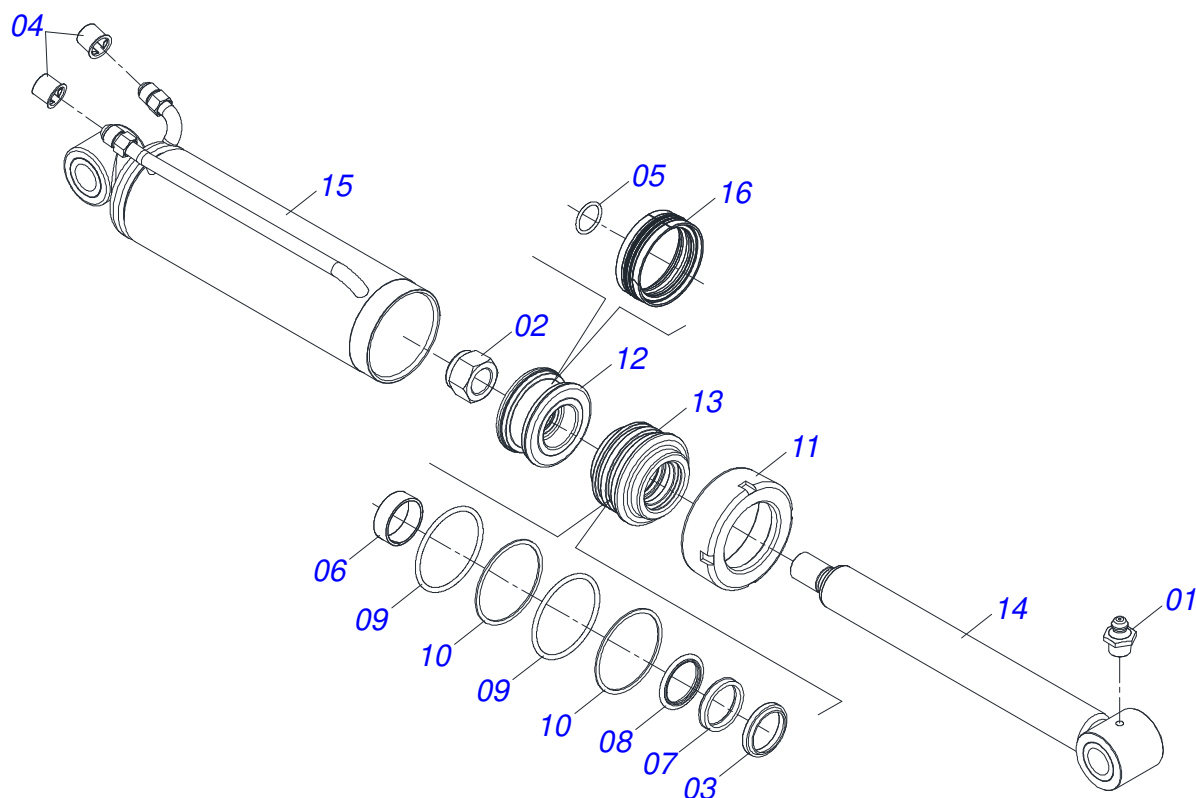


Item	Code	Description	See page	56	60	64
01	0501068301	FRAME CENTER		01	01	01
02	0501060384	CARRYING-WHEELS		01	01	01
03	0502010220	BEARING		02	02	02
04	0503010901	3/4UNC 3.1/2 BOLT		04	04	04
05	0501010322	20,50 X 46 X 4,00 ZN FLAT WASHER		04	04	04
06	0503010023	3/4" SPRING WASHER		04	04	04
07	0503010014	3/4" ZN G.5 (HEAVY) UNC HEX NUT		04	04	04
08	0501040084	HYDRAULIC CYLINDER 50,8 X 101 X 552 X 262 2 BBR1/2		02	02	02
08.	0511059060	50,80 X 101,60 X 561 X 264 HYDRAULIC CYLINDER 3		00	02	00
09	0521010545	1.2" X 5.1" COUPLING SHAFT		04	04	04
10	0503010523	1/4" X 2" SPLIT PIN		04	04	04
11	0501060714	TOWER FRONT SUSPENSION		01	01	01
12	0501060715	LEFT SUSPENSION TOWER		01	01	01
13	0521010465	1.3" X 1.7" X 1.3" SLEEVE		02	02	02
14	0503012548	1-1/4" X 4.6" BOLT		02	02	02
15	0503010070	SPRING WASHER		02	02	02
16	0501010087	1.1/4" NUT		02	02	02
17	0501110404	SUPPORT BAR		02	02	02
18	0503011432	BOLT		04	04	04
19	0503010012	1" SPRING WASHER		04	04	04
20	0501010059	1.5/8 NUT		04	04	04
21	0501060716	DRAWBAR		01	01	01
22	0501016419	1-1/2" X 7.5" BOLT		02	02	02
23	0501011301	1.1/2" UNC 6FPP 2.5/16" NUT		03	03	03
24	0503010010	SPLIT PIN 1/4" X 2.1/2"		03	03	03
25	0501060317	TRACTOR HITCH		01	01	01
26	0501016415	1-1/2" X 9.6" BOLT		01	01	01
27	0501060718	STABILIZER BAR		01	01	01
28	0521010780	1.2" X 4.5" COUPLING SHAFT		01	01	01

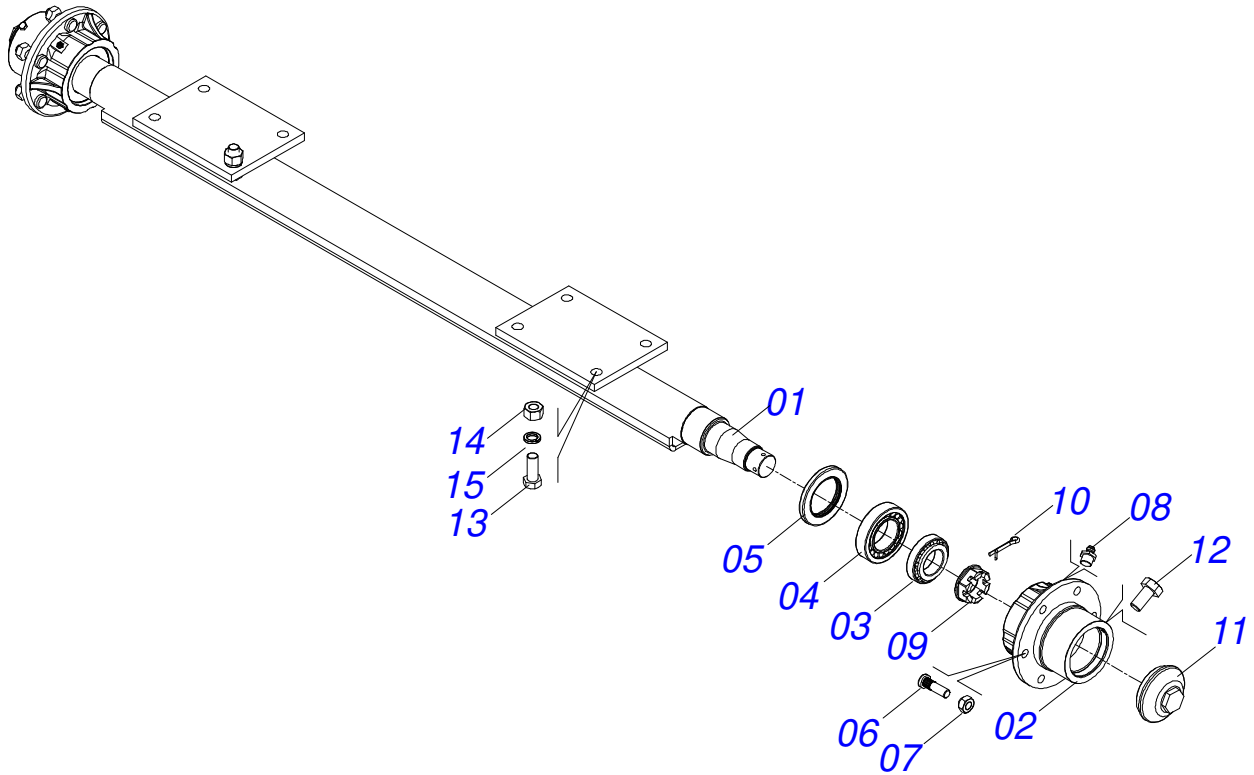
Item	Code	Description	See page	56	60	64
29	0501060717	TOWER		01	01	01
30	0501060486	REGULATOR BOLT		02	02	02
31	0521010579	COUPLING SHAFT		02	02	02
32	0503010571	1/4" X 1.1/2" SPLIT PIN		02	02	02
33	0501010289	GUIDE FRONT REGULATOR		02	02	02
34	0501010290	SPRING SEAT		02	02	02
35	0502020394	SPRING SUPPORT		04	04	04
36	0503030441	12.7" X 5.7" X 0.5"SPRING		02	02	02
37	0501010087	1.1/4" NUT		04	04	04
38	0511019921	1.3" X 0.1" X 1" SLEEVE		04	04	04
39	0501047109	WHEEL WITHOUT TIRE 3 X 2780 MM	4	01	01	01
40	0503060005	29.5"X0.63"-10L WHEEL WITH TIRE ASSY	5	04	04	04
40.	0503060046	WHEEL WITH TIRE 900 X 20-14L ASSY	6	04	04	04
40..	0503060181	WHEEL AND TIRE		00	02	00
41	0501040877	C1" X 3-1/4" ASSY BOLT		08	08	08
41A	0501014309	C1" X 3-1/4" BOLT		01	01	01
41B	0501010951	1" SQUARE WASHER		01	01	01
41C	0501010065	1" SPRING WASHER		01	01	01
41D	0503011438	SPRING WASHER		01	01	01
41E	0501010059	1.5/8 NUT		01	01	01
42	0501040364	HOSE SUPPORT ASSEMBLY	7	01	01	01
43	0501040257	ASSY 3/4 X 38 HOSE SUPPORT	8	01	01	01
44	0501068941	CONNECTION		01	01	01
45	0501080014	1/2 X 1000 TR-TR HOSE		04	04	04
46	0501080084	HOSE		02	02	02
47	0501053834	MALE QUICK COUPLER	9	02	02	02
48	0501010080	3/8" BOLT		02	02	02
49	0503010025	3/8 SPRING WASHER		02	02	02
50	0503010026	3/8" NUT		02	02	02
51	0503011082	C1/2" X 1.3/4" SCREW		92	92	92
52	0511017302	FLAT WASHER 13,50 X 32,50 X 3,0 ZN		92	92	92
53	0503010019	1/2" SPRING WASHER		108	108	108
54	0503010060	1/2 UNC G.5 ZN HEX NUT		108	108	108
55	0501068335	FRAME REAR - 56		01	00	00
55.	0501068337	FRAME REAR - 60		00	01	00
55..	0501068297	REAR FRAME - 64		00	00	01
56	0501068334	FRAME FRONT - 56		01	00	00
56.	0501068336	FRAME FRONT - 60		00	01	00
56..	0501068298	FRONT FRAME - 64		00	00	01
57	0501011432	1-1/2" AND 1-5/8 GANG BOLT WRENCH		01	01	01
58	0501061617	1" GANG BOLT WRENCH		01	01	01
59	0501068273	5/8" WRENCH		01	01	01
60	0501063963	FRONT SCRAPER		23	23	23
61	0501063962	REAR SCRAPER		23	23	23
62	0521810546	AXIS		00	03	00
63	0551012215	FLAT WASHER		00	03	00
64	0503034003	61 X 118 SERIAL NUMBER TAG		01	01	01
65	0503010001	RIVET 3,2 X 5,5		04	04	04
66	0503033038	DANGER DECAL		02	02	02
67	0503031428	READ MANUAL DECAL		01	01	01
68	0503033038	DANGER DECAL		02	02	02
69	0503031738	WARNING DECAL		01	01	01
70	0503031087	AUTO CONTROL APPROVED DECAL		01	01	01
71	0503060841	ADHESIVE LABEL SET		01	01	01
72	0503031739	DANGER DECAL		01	01	01
73		ASSY DISC GANG SECTION	9			



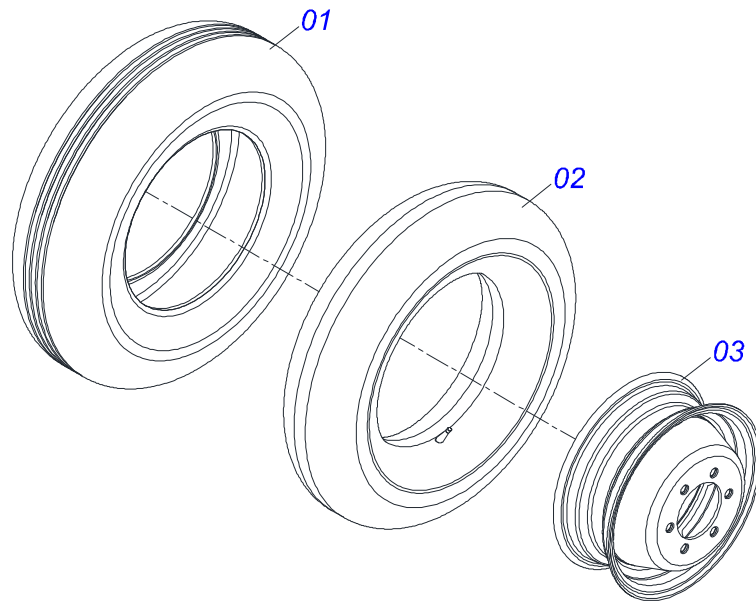
Item	Code	Description	See page	QT
01	0501060367	50,8 X 101 X 552 X 262 CYLINDER CASE		01
02	0502010992	2.0" X 4.0" PISTON		01
03	0503010043	PACKING 3750-3250		02
04	0503010994	W2-4000-500 PK RING G.E		01
05	0503010002	1800 GREASE FITTING		02
06	0501068955	HYDRAULIC CYLINDER TURNBUCKLE		01
07	0503010817	SELF LOCKING NUT 1.1/4 UNF ALTA G.5 ZN		01
08	0503010345	2-218 N 3006-9B O'RING		01
09	0502010778	2" X 4.2" RING SUPPORT		01
10	0503010952	W2-2250-500 RING		01
11	0503010338	2-342 N 3006-9B O'RING		01
12	0503010991	1870-2000-375-B GASKET		01
13	0503010039	D-2000 SCRAPER RING		01
14	0502010017	4" LID		01
15	0503011061	8-342 BACK-UP RING		01
16	0503030387	PLUG		02



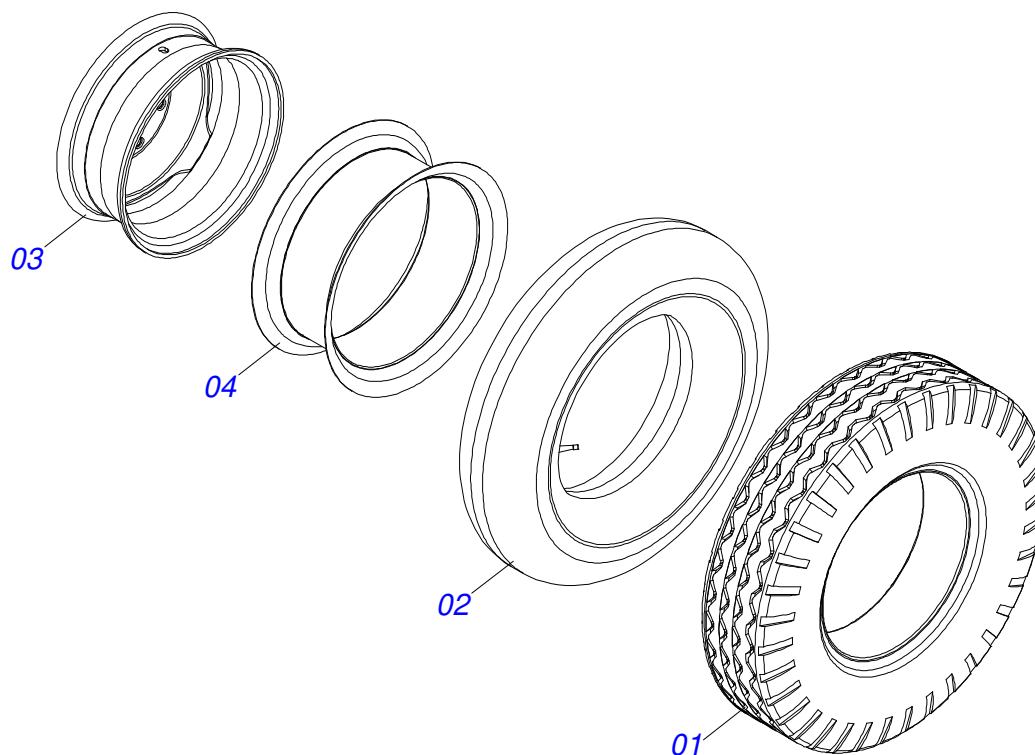
Item	Code	Description	See page	QT
01	0503010002	1800 GREASE FITTING		02
02	0503010817	SELF LOCKING NUT 1.1/4 UNF ALTA G.5 ZN		01
03	0503010039	D-2000 SCRAPER RING		01
04	0503030387	PLUG		02
05	0503018029	O'RING 2-217 N 3006 90B		01
06	0503018025	RING GUIDE W2-2250-750		01
07	0503018026	GASKET 1870-2000-375 B POLYMAX		01
08	0503018024	RING BS OD050805200171D-BR		01
09	0503010338	2-342 N 3006-9B O'RING		02
10	0503011061	8-342 BACK-UP RING		02
11	0502012822	END CAP 4"		01
12	0502012820	2" X 4" PISTON		01
13	0502012821	2" X 4" RING SUPPORT		01
14	0501068955	HYDRAULIC CYLINDER TURNBUCKLE		01
15	0501060367	50,8 X 101 X 552 X 262 CYLINDER CASE		01
16	0503015633	SELEMASTER SEALING		01



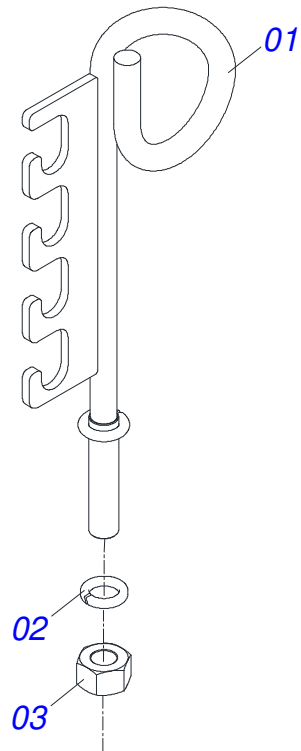
Item	Code	Description	See page	QT
01	0501068310	AXLE 3 X 2780		01
02	0502011389	BOX		02
03	0503010006	32210 ROLLER BEARING		02
04	0503010005	32212 ROLLER BEARING		02
05	0503011866	SEAL 00573-B WITH HOLE		02
06	0501010186	WHEEL BOLT 5/8" UNF X 2.1/8CR		12
07	0503010064	5/8 UNF CONIC NUT		12
08	0503010002	1800 GREASE FITTING		02
09	0501010888	1.3/4" 2.5/16" CASTLE NUT		02
10	0503010010	SPLIT PIN 1/4" X 2.1/2"		02
11	0502020593	COVER		02
12	0503010295	SCREW 5/16 UNC X 5/8 CS G.2 ZN		02
13	0501010098	BOLT 3/4" UNC X 2 C S G.5 ZN		08
14	0503011442	3/4" SPRING WASHER		08
15	0503010014	3/4" ZN G.5 (HEAVY) UNC HEX NUT		08



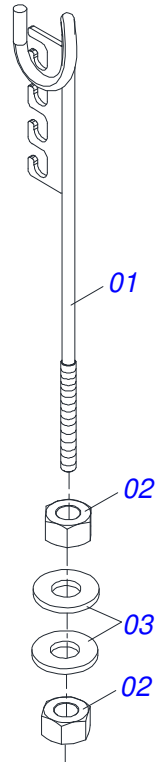
Item	Code	Description	See page	QT
01	0503010120	CANVAS TIRE		01
02	0503010033	7.50 X 16 INNER TIRE		01
03	0501061845	0.2"X0.6"X5.1"X6F0.6"X6.8"-D WHEEL		01



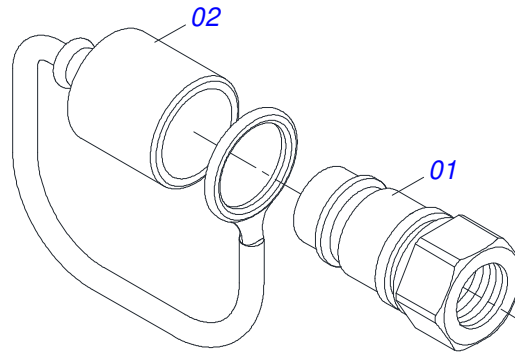
Item	Code	Description	See page	QT
01	0503010494	9.0LX 20" X 14 PLY, TIRE		01
02	0503010057	INNER TIRE		01
03	0501063939	2.6"X0.8"X5.1"X 6F0.75"X6.8" WHEEL		01
04	0503010470	PROTECTION		01



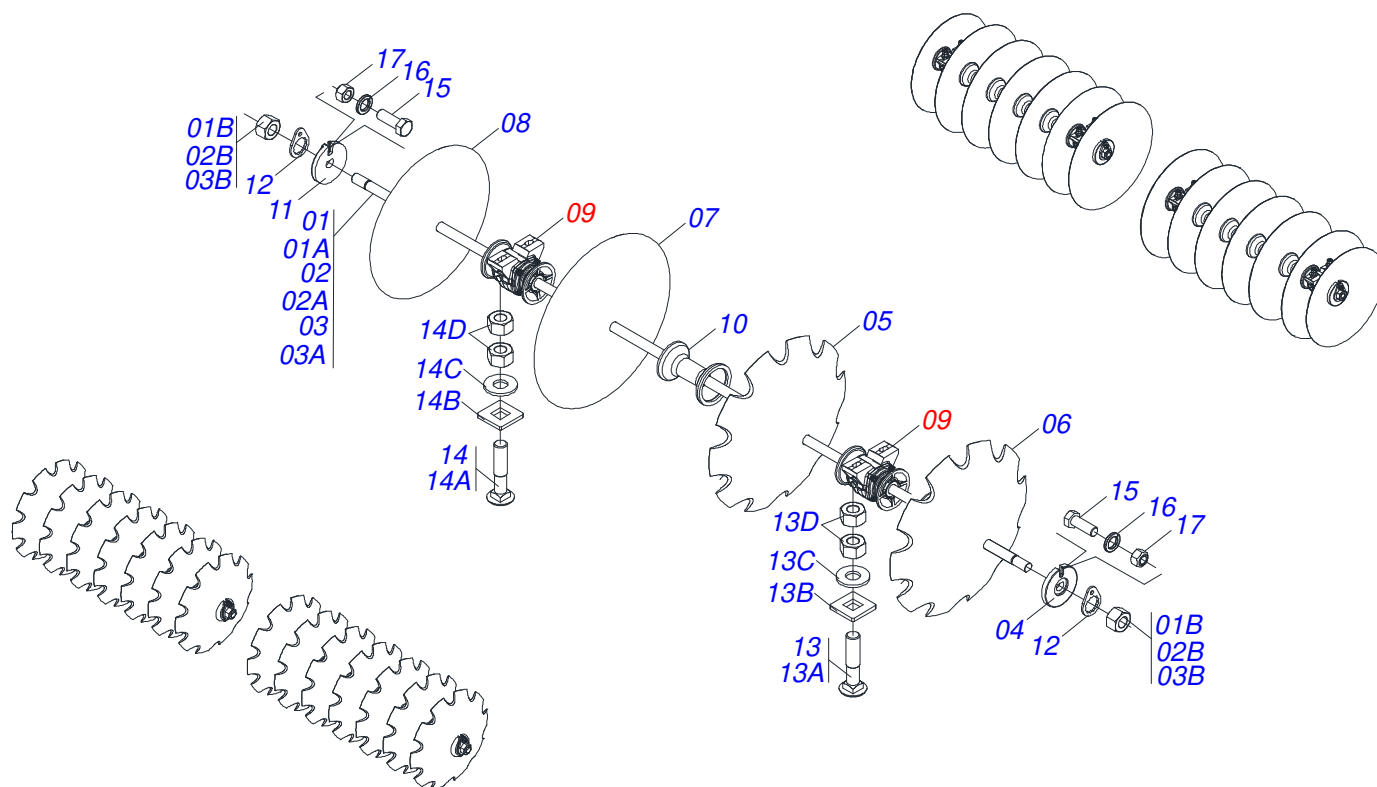
Item	Code	Description	See page	QT
01	0501060409	HOSE SUPPORT ASSY		01
02	0503011442	3/4" SPRING WASHER		01
03	0503010014	3/4" ZN G.5 (HEAVY) UNC HEX NUT		01



Item	Code	Description	See page	QT
01	0511067334	HOSE SUPPORT		01
02	0503010014	3/4" ZN G.5 (HEAVY) UNC HEX NUT		02
03	0501010322	20,50 X 46 X 4,00 ZN FLAT WASHER		02



Item	Code	Description	See page	QT
01	0503011627	MALE QUICK COUPLER AGR 1/2 NPT		01
02	0503011882	MALE QUICK COUPLER CAP		01



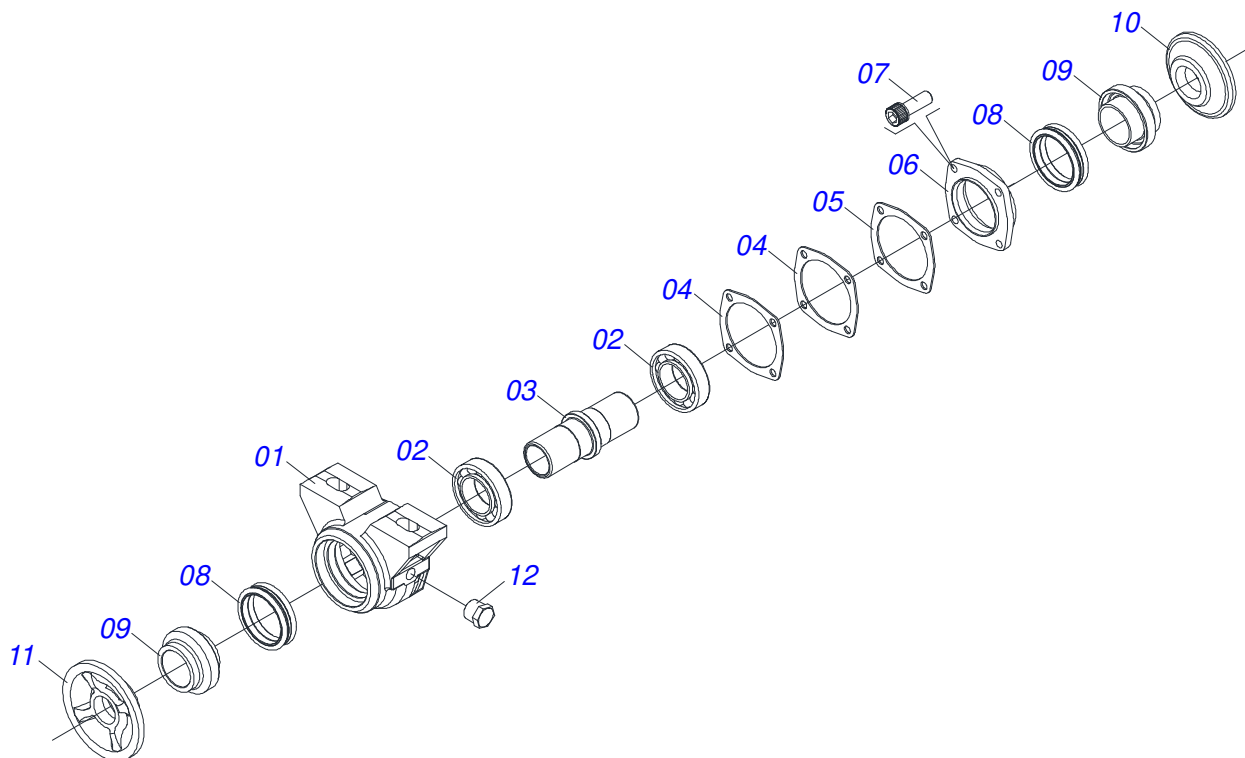
Item	Code	Description	See page	56	60	64
01	0501043869	AXLE		04	00	00
01A	0511011894	AXLE		01	00	00
01B	0501010110	NUT 1.1/2 NC 6FPP HEXAGONAL 2.3/8" ZN		02	00	00
02	0501043697	1.1/2 6FPP X 1505 AXLE WITH NUTS		04	04	08
02A	0511012601	1.1/2 6FPP X 1505 AXLE		01	01	02
02B	0501010110	NUT 1.1/2 NC 6FPP HEXAGONAL 2.3/8" ZN		02	02	04
03	0501044105	1.1/2 X 1305 AXLE W/NUT		00	04	00
03A	0501010110	NUT 1.1/2 NC 6FPP HEXAGONAL 2.3/8" ZN		00	02	00
03B	0511011914	1.1/2 X 1305 AXLE		00	01	00
04	0502010871	EXTERNAL AXLE WASHER 1.1/2"		08	08	08
05	0602027006	20" X 0.2" NOTCHED DISC BLADE		26	28	32
05.	0602027343	DR 20 X 4,5 C57AF02FR1.9/16 10R		00	58	00
06	0602025263	18" X 4,5 NOTCHED DISC BLADE		00	02	00
07	0601027006	20" X 4,5 PLAIN DISC BLADE		24	26	30
08	0601025165	18" X 0.1" PLAIN DISC BLADE		02	02	02
09	0501047055	BEARING	10	08	08	08
09.	0501047045	CM GX 192,5 1.1/2 PR BEARING	11	08	08	08
09..	0501041557	225MM X 1.5/8" RD. OIL BATH BEARING	12	08	08	08
09...	0501046981	BEARING	13	08	08	08
10	0502010627	SPACER		04	04	04
11	0502010872	1-1/2" INNER AXLE WASHER		08	08	08
12	0501018592	LOCK NUT 1.5/8" HEX. 60,0/60,2		16	16	16
13	0501042160	5/8" X 76 BOLT ASSY		32	32	32
13A	0501011234	5/8" X 3" BOLT		16	16	16
13B	0501010947	5/8 NUT LOCK		16	16	16
13C	0501012140	FLAT WASHER 16,50 X 40 X 4,00 ZN		16	16	16
13D	0503010013	5/8" UNC G.5 ZN HEX NUT		16	16	16
14	0501058802	5/8 UNC X 2.3/4 BOLT ASSY		00	32	00
14A	0503015154	5/8" X 2.3/4" BOLT		00	16	00
14B	0501010947	5/8 NUT LOCK		00	16	00



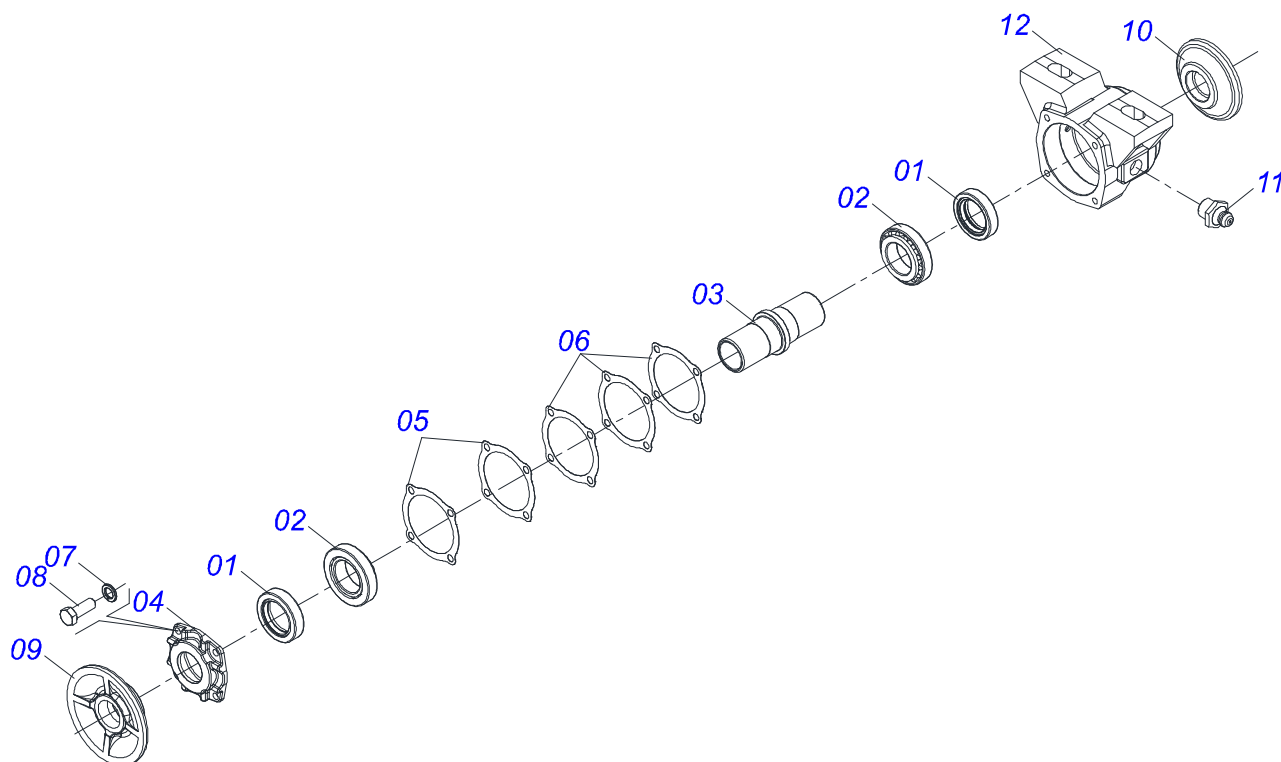
ASSY DISC GANG SECTION

0909094017

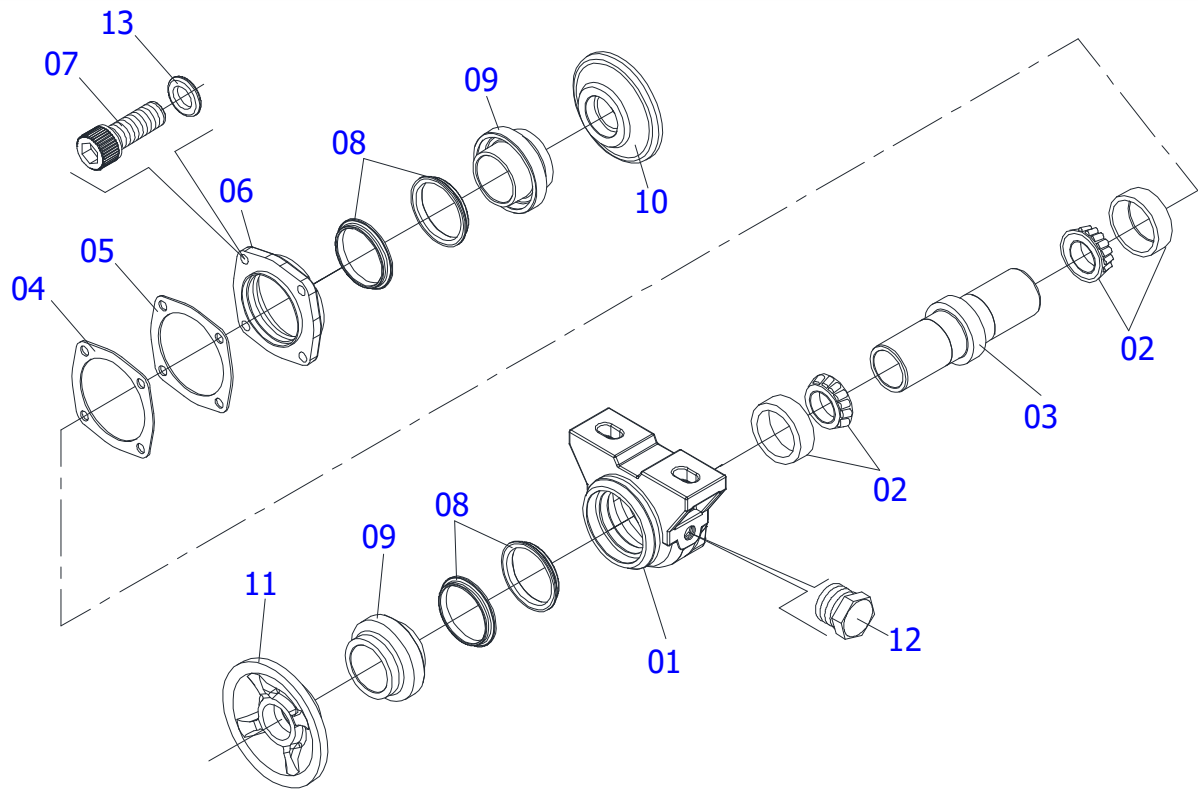
Item	Code	Description	See page	56	60	64
14C	0501012140	FLAT WASHER 16,50 X 40 X 4,00 ZN		00	16	00
14D	0503010013	5/8" UNC G.5 ZN HEX NUT		00	16	00
15	0503011267	BOLT 5/8" UNC X 1.1/2 C S G.5 ZN		16	16	16
16	0503010027	5/8 SPRING WASHER		16	16	16
17	0503010013	5/8" UNC G.5 ZN HEX NUT		16	16	16



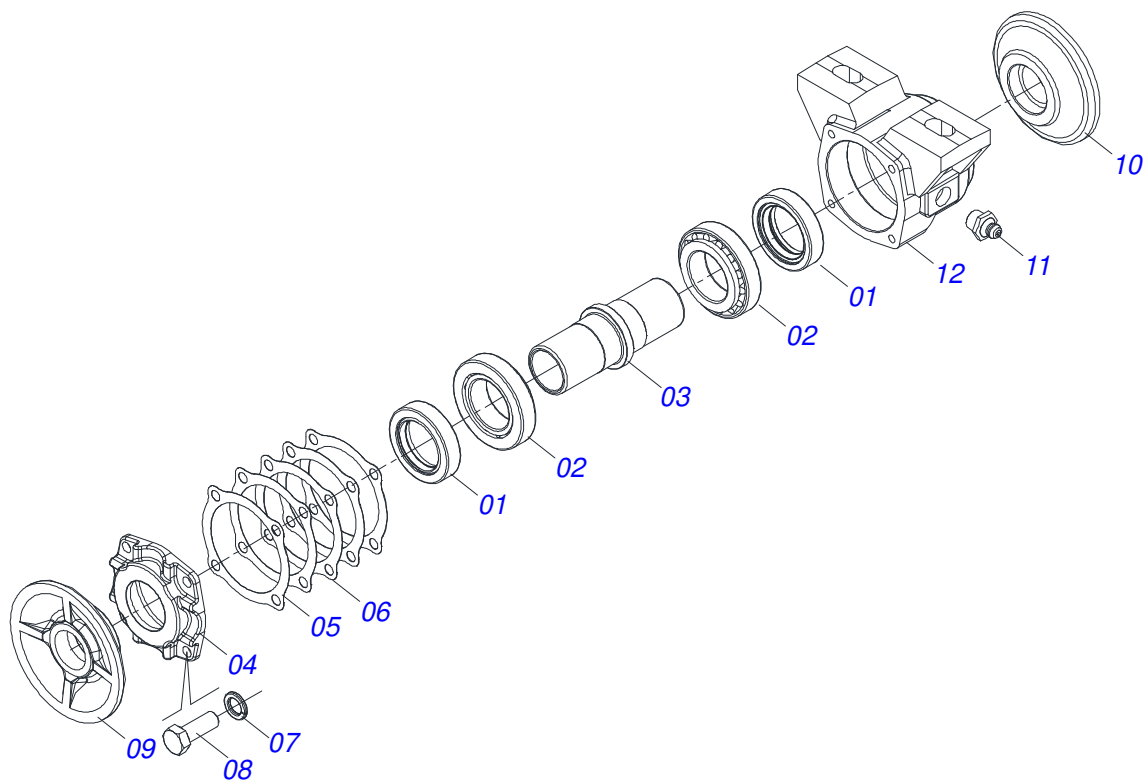
Item	Code	Description	See page	QT
01	0502010540	HOUSING DM		01
02	0503010006	32210 ROLLER BEARING		02
03	0502040061	AXLE 182/192,5		01
04	0503030013	4.4" X 3.5" X 0.004" JOINT		02
05	0503030684	4.4" X 3.5" X 0.004" JOINT		01
06	0502020424	HOUSING CAP 182/192,225		01
07	0503010134	3/8" X 1" BOLT		04
08	0503030026	SEAL LP JB-253		02
09	0502010541	SEAL RETAINER		02
10	0502010604	OUTER FLANGE		01
11	0502010605	INNER FLANGE		01
12	0503010856	OIL PLUG R 3/8 BSPT		02



Item	Code	Description	See page	QT
01	0503010468	SEAL 01199-GB		02
02	0503010006	32210 ROLLER BEARING		02
03	0502040061	AXLE 182/192,5		01
04	0502020273	HOUSING CAP CM		01
05	0503030684	4.4" X 3.5" X 0.004" JOINT		02
06	0503030013	4.4" X 3.5" X 0.004" JOINT		03
07	0503011443	SPRING WASHER 3/8"		04
08	0503810237	3/8 UNC X 1 C S G.5 SA BOLT		04
09	0502010604	OUTER FLANGE		01
10	0502010605	INNER FLANGE		01
11	0503010002	1800 GREASE FITTING		02
12	0502020313	HOUSING CM		01
13	1882970002	GREASE		0,13 Kgs



Item	Code	Description	See page	QT
01	0502010539	HOUSING DM		01
02	0503010006	32210 ROLLER BEARING		02
03	0502040061	AXLE 182/192,5		01
04	0503030013	4.4" X 3.5" X 0.004" JOINT		03
05	0503030684	4.4" X 3.5" X 0.004" JOINT		02
06	0502020424	HOUSING CAP 182/192,225		01
07	0503010134	3/8" X 1" BOLT		04
08	0503030026	SEAL LP JB-253		02
09	0502010541	SEAL RETAINER		02
10	0502010604	OUTER FLANGE		01
11	0502010605	INNER FLANGE		01
12	0503010856	OIL PLUG R 3/8 BSPT		01



Item	Code	Description	See page	QT
001	0503010468	SEAL 01199-GB		02
002	0503010006	32210 ROLLER BEARING		02
003	0502040061	AXLE 182/192,5		01
004	0502020273	HOUSING CAP CM		01
005	0503030684	4.4" X 3.5" X 0.004" JOINT		02
006	0503030013	4.4" X 3.5" X 0.004" JOINT		03
007	0503011443	SPRING WASHER 3/8"		04
008	0503010237	3/8" X 1" BOLT		04
009	0502010604	OUTER FLANGE		01
010	0502010605	INNER FLANGE		01
011	0503010002	1800 GREASE FITTING		01
012	0502020489	HOUSING CM		01
013	3402501201			00



MARCHESAN

Technical Publications | Elaboration and Revision

LUIZ CANDIDO

www.marchesan.com.br

