

# **PARTS CATALOG**

## **HINGE TYPE OFFSET DISK HARROW**

**GNDH 44 A 56 D.**

**Code: 0501091206**



**Series: S-0794**

**Review: MARÇO/2017**

**ORIGINAL PARTS  
TATU**



# PRODUCTS

| Code        | Description                          |
|-------------|--------------------------------------|
| 0102150001  | GNDH 44 X 22 X 4,50 DM DR S0794      |
| 0102150001C | GNDH 44 X 22 X 4,50 DM DR EXP S-0794 |
| 0102150006  | GNDH 48 X 22 X 4,50 DM DR S-0794     |
| 0102150006C | GNDH 48 X 22 X 4,50 DM DR S-0794     |
| 0102150007  | GNDH 56 X 22 X 4,5 DM DR 11L15 S794  |
| 0102150008  | GNDH 52 X 22 X 4,50 DM DR S-0794     |
| 0102150008C | GNDH 52 X 22 X 4,50 DM DR EXP S-0794 |
| 0102150009  | GNDH 44 X 20 X 3,50 X CM DR S-0794   |
| 0102150010  | GNDH 56 X 22 X 4,5 DM MT 11L15 S794  |
| 0102150011  | GNDH 56 X 22 X 4,50 DM DR S-0794     |
| 0102150011C | GNDH 56 X 22 X 4,50 DM DR EXP S-0794 |
| 0102150012  | GNDH 48 X 22 X 4,50 CM DL S-0794     |
| 0102150013  | GNDH 56 X 22 X 4,50 DM DL S-0794     |
| 0102150015  | GNDH 48X22X4,5DM DR LD C/PRT S-0794  |
| 0102150017  | GNDH 56 X 24 X 4,75 DM DR S-0794     |
| 0102150226  | GNDH 44 X 20 X 3,50 CM MT S-0794     |
| 0102150227  | GNDH 44 X 22 X 4,50 CM MT S-0794     |
| 0102150228  | GNDH 44 X 20 X 3,50 DM MT S-0794     |
| 0102150228C | GNDH 44 X 20 X 3,50 DM MT EXP S-0794 |
| 0102150229  | GNDH 44 X 22 X 4,50 DM MT S-0794     |
| 0102150234  | GNDH 48 X 20 X 3,50 CM MT S-0794     |
| 0102150235  | GNDH 48 X 22 X 4,50 CM MT S-0794     |
| 0102150236  | GNDH 48 X 20 X 3,50 DM MT S-0794     |
| 0102150237  | GNDH 48 X 22 X 4,50 DM MT S-0794     |
| 0102150237C | GNDH 48 X 22 X 4,50 DM MT EXP S-0794 |
| 0102150242  | GNDH 52 X 20 X 3,50 CM MT S-0794     |
| 0102150243  | GNDH 52 X 22 X 4,50 CM MT S-0794     |
| 0102150244  | GNDH 52 X 20 X 3,50 DM MT S-0794     |
| 0102150245  | GNDH 52 X 22 X 4,50 DM MT S-0794     |
| 0102150245C | GNDH 52 X 22 X 4,50 DM MT EXP S-0794 |
| 0102150250  | GNDH 56 X 20 X 3,50 CM MT S-0794     |

## ATTENTION: **IMPORTANT**

MARCHESAN S/A RESERVES THE RIGHT AT ANY TIME TO MAKE IMPROVEMENTS IN THE DESIGN, MATERIAL OR SPECIFICATIONS OF MACHINERY, EQUIPMENT OR PARTS WITHOUT THEREBY BECOMING LIABLE TO MAKE SIMILAR CHANGES IN MACHINERY, EQUIPMENT OR PARTS PREVIOUSLY SOLD.

# PRODUCTS

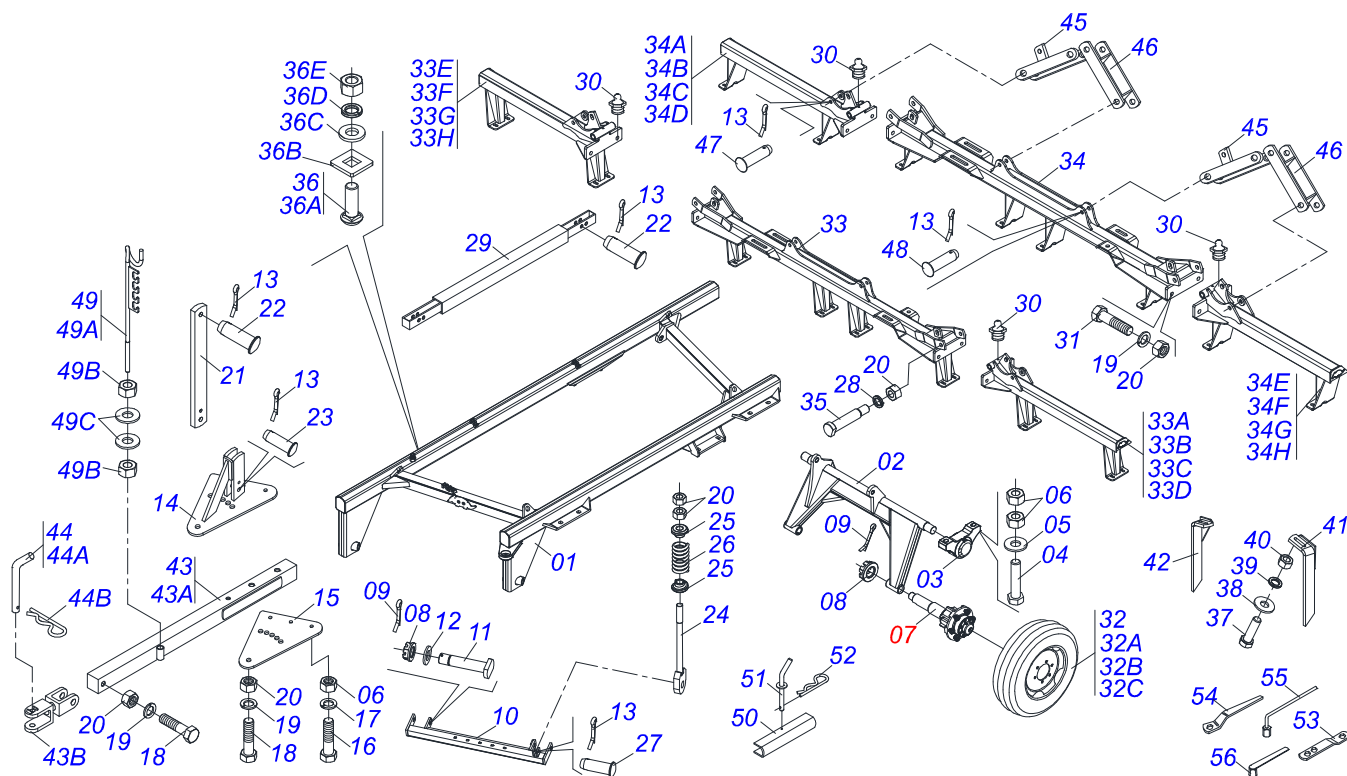
|             |                               |        |
|-------------|-------------------------------|--------|
| 0102150251  | GNDH 56 X 22 X 4,50 CM MT     | S-0794 |
| 0102150252  | GNDH 56 X 20 X 3,50 DM MT     | S-0794 |
| 0102150253  | GNDH 56 X 22 X 4,50 DM MT     | S-0794 |
| 0102150253C | GNDH 56 X 22 X 4,50 DM MT EXP | S-0794 |
| 0102150273  | GNDH 56 X 24 X 4,75 DM MT     | S-0794 |
| 0102150274  | GNDH 56 X 20 X 4,50 DM MT     | S-0794 |

## ATTENTION: **IMPORTANT**

MARCHESAN S/A RESERVES THE RIGHT AT ANY TIME TO MAKE IMPROVEMENTS IN THE DESIGN, MATERIAL OR SPECIFICATIONS OF MACHINERY, EQUIPMENT OR PARTS WITHOUT THEREBY BECOMING LIABLE TO MAKE SIMILAR CHANGES IN MACHINERY, EQUIPMENT OR PARTS PREVIOUSLY SOLD.

# INDEX

|            |                                      |       |    |
|------------|--------------------------------------|-------|----|
| 0909090347 | 44/48/52/56D - FULL FRAME            | ..... | 1  |
| 0501051634 | TSTUB SHAFT & HUB ASSY               | ..... | 2  |
| 0511059180 | HYDRAULIC CYLINDER                   | ..... | 3  |
| 0501044311 | 1.7"X3.4"X31"X15" HYDRAULIC CYLINDER | ..... | 4  |
| 0501053834 | QUICK CONECTION (MALE) 1/2           | ..... | 5  |
| 0909092452 | 44/48/52/56D - CIRCUIT HYDRAULIQUE   | ..... | 6  |
| 0909092456 | 44D - FRONT AND REAR DISC SECTION    | ..... | 7  |
| 0909092455 | 48D - FRONT AND REAR DISC SECTION    | ..... | 8  |
| 0909092454 | 52D - FRONT AND REAR DISC SECTION    | ..... | 9  |
| 0909092453 | 56D - FRONT AND REAR DISC SECTION    | ..... | 10 |
| 0501046922 | 7.5" X 1-1/4" OIL BATH BEARING       | ..... | 11 |



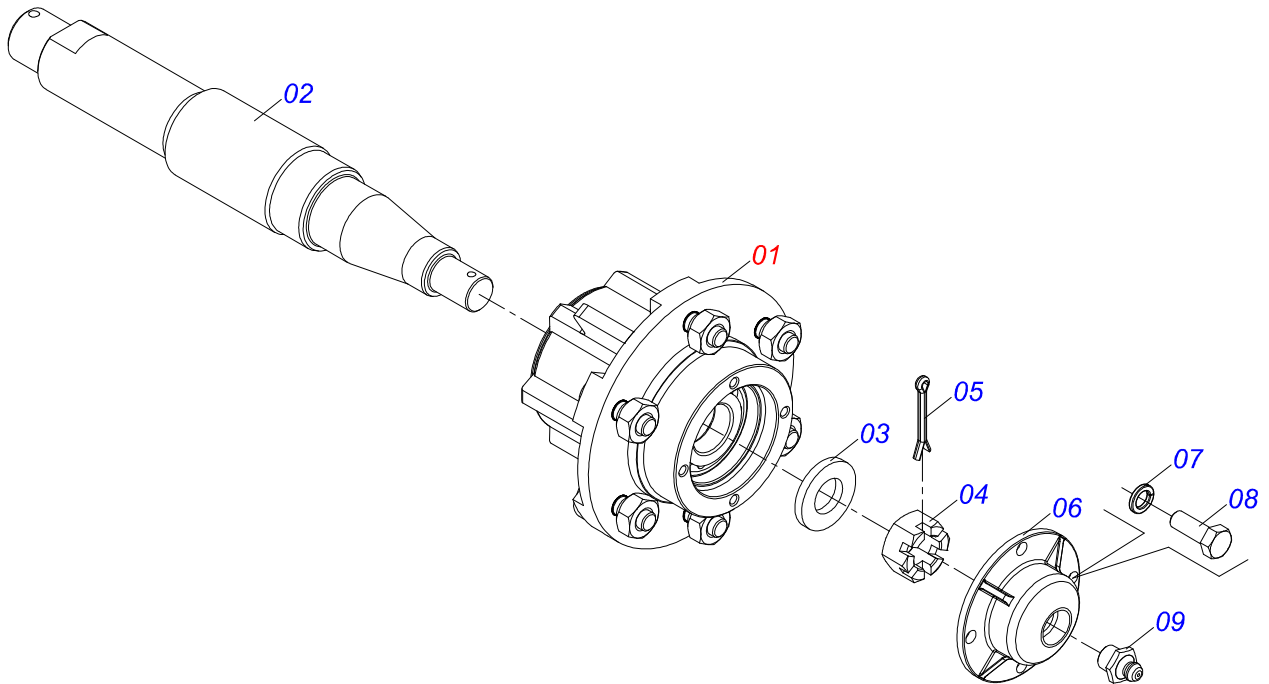
| Item | Code       | Description                 | 44 | 48 | 52 | 56 |
|------|------------|-----------------------------|----|----|----|----|
| 01   | 0521062511 | FRAME GNCR 28 A 56          | 01 | 01 | 01 | 01 |
| 02   | 0501065518 | CARRYING-WHEELS             | 01 | 01 | 01 | 01 |
| 03   | 0501110856 | ARTICULACION BEARING        | 02 | 02 | 02 | 02 |
| 04   | 0503010797 | 3/4" X 4" BOLT              | 04 | 04 | 04 | 04 |
| 05   | 0501010322 | FLAT WASHER                 | 04 | 04 | 04 | 04 |
| 06   | 0503010014 | 3/4" NUT                    | 12 | 12 | 12 | 12 |
| 07   | 0501051634 | TSTUB SHAFT & HUB ASSY      | 02 | 02 | 02 | 02 |
| 08   | 0501011301 | 1.1/2 UNC 6FPP 2.5/16 NUT   | 04 | 04 | 04 | 04 |
| 09   | 0503010010 | 1/4" X 2.1/2" COTTERPIN     | 04 | 04 | 04 | 04 |
| 10   | 0521062507 | HITCH BAR                   | 01 | 01 | 01 | 01 |
| 11   | 0531019497 | 1.5" X 9.2" PIVOT SHAFT     | 02 | 02 | 02 | 02 |
| 12   | 0551012215 | FLAT WASHER                 | 02 | 02 | 02 | 02 |
| 13   | 0503010571 | 1/4" X 1.1/2 COTTERPIN      | 17 | 17 | 17 | 17 |
| 14   | 0501066099 | UPPER PLATE WITH SUPPORT    | 01 | 01 | 01 | 01 |
| 15   | 0501010241 | UPPER /LOWER PLATE          | 01 | 01 | 01 | 01 |
| 16   | 0503011198 | C3/4" X 6" BOLT             | 03 | 03 | 03 | 03 |
| 17   | 0503011442 | 3/4" SPRING WASHER          | 04 | 04 | 04 | 04 |
| 18   | 0501010060 | 1" X 6-1/2" BOLT            | 02 | 02 | 02 | 02 |
| 19   | 0503011438 | SPRING WASHER               | 22 | 22 | 22 | 22 |
| 20   | 0501010059 | 1.5/8 NUT                   | 24 | 24 | 24 | 24 |
| 21   | 0561019346 | STABILIZER BAR TOWER        | 01 | 01 | 01 | 01 |
| 22   | 0521010575 | C0.9" X 3.3" COUPLING SHAFT | 03 | 03 | 03 | 03 |
| 23   | 0521810576 | COUPLING SHAFT              | 01 | 01 | 01 | 01 |
| 24   | 0501064698 | SPRING ROD                  | 01 | 01 | 01 | 01 |
| 25   | 0502020392 | SPRING SUPPORT              | 02 | 02 | 02 | 02 |
| 26   | 0503030441 | 12.7" X 5.7" X 0.5" SPRING  | 01 | 01 | 01 | 01 |
| 27   | 0521010592 | 1.1" X 3.1" COUPLING SHAFT  | 01 | 01 | 01 | 01 |
| 28   | 0503010012 | 1" SPRING WASHER            | 02 | 02 | 02 | 02 |
| 29   | 0501064696 | STABILIZER BAR              | 01 | 01 | 01 | 01 |
| 30   | 0503010002 | 1800 GREASE FITTING         | 04 | 04 | 04 | 04 |
| 31   | 0501010276 | 1" X 3" BOLT                | 08 | 08 | 08 | 08 |
| 32   | 0503060091 | L29.5"X0.63"-10L WHEEL AND  | 02 | 02 | 02 | 02 |
| 32A  | 0503010893 | WHEEL                       | 01 | 01 | 01 | 01 |



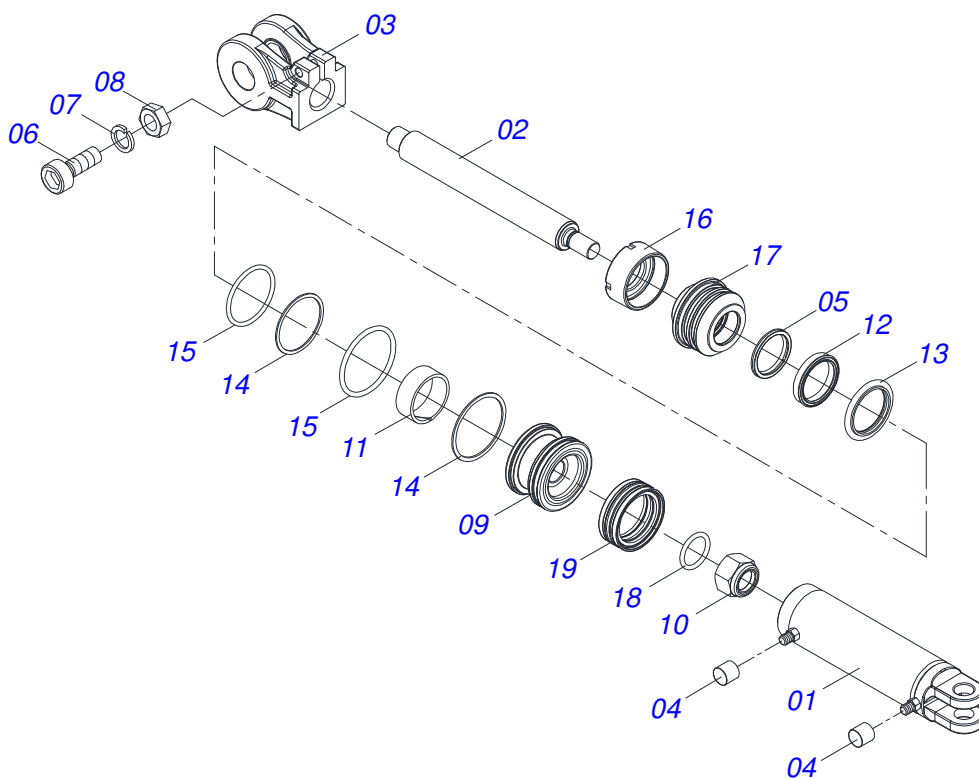
## 44/48/52/56D - FULL FRAME

0909090347

| Item | Code       | Description                        | 44 | 48 | 52 | 56 |
|------|------------|------------------------------------|----|----|----|----|
| 32B  | 0503010033 | 7.50 X 16 INNER TIRE               | 01 | 01 | 01 | 01 |
| 32C  | 0503010120 | CANVAS TIRE                        | 01 | 01 | 01 | 01 |
| 33   | 0501065112 | CENTRAL FRONT FRAME                | 01 | 01 | 01 | 01 |
| 33A  | 0501065117 | LEFT FRONT FRAME                   | 01 | 00 | 00 | 00 |
| 33B  | 0501065118 | LEFT FRONT FRAME                   | 00 | 01 | 00 | 00 |
| 33C  | 0501065119 | LEFT FRONT FRAME                   | 00 | 00 | 01 | 00 |
| 33D  | 0501065120 | LEFT FRONT FRAME                   | 00 | 00 | 00 | 01 |
| 33E  | 0501065113 | RIGHT FRONT FRAME                  | 01 | 00 | 00 | 00 |
| 33F  | 0501065114 | RIGHT FRONT FRAME                  | 00 | 01 | 00 | 00 |
| 33G  | 0501065115 | RIGHT FRONT FRAME                  | 00 | 00 | 01 | 00 |
| 33H  | 0501065116 | RIGHT FRONT FRAME                  | 00 | 00 | 00 | 01 |
| 34   | 0501065134 | REAR CENTER FRAME                  | 01 | 01 | 01 | 01 |
| 34A  | 0501065121 | RIGHT REAR FRAME                   | 01 | 00 | 00 | 00 |
| 34B  | 0501065122 | RIGHT REAR FRAME                   | 00 | 01 | 00 | 00 |
| 34C  | 0501065123 | RIGHT REAR FRAME                   | 00 | 00 | 01 | 00 |
| 34D  | 0501065124 | RIGHT REAR FRAME                   | 00 | 00 | 00 | 01 |
| 34E  | 0501065125 | LEFT REAR FRAME                    | 01 | 00 | 00 | 00 |
| 34F  | 0501065126 | LEFT REAR FRAME                    | 00 | 01 | 00 | 00 |
| 34G  | 0501065127 | LEFT REAR FRAME                    | 00 | 00 | 01 | 00 |
| 34H  | 0501065128 | LEFT REAR FRAME                    | 00 | 00 | 00 | 01 |
| 35   | 0501010660 | 1" X 1-3/4" X 11.4" COUPLING SHAFT | 04 | 04 | 04 | 04 |
| 36   | 0501040877 | C1" X 3-1/4" ASSY BOLT             | 07 | 07 | 07 | 07 |
| 36A  | 0501010171 | PARAFUSO 1 UNC X 3.1/2 C S G.5     | 01 | 01 | 01 | 01 |
| 36B  | 0502012861 | 1" SQUARE WASHER                   | 01 | 01 | 01 | 01 |
| 36C  | 0501010065 | 1" SPRING WASHER                   | 01 | 01 | 01 | 01 |
| 36D  | 0503010012 | 1" SPRING WASHER                   | 01 | 01 | 01 | 01 |
| 36E  | 0501010059 | 1.5/8 NUT                          | 01 | 01 | 01 | 01 |
| 37   | 0503011082 | C1/2" X 1.3/4" BOLT                | 34 | 38 | 42 | 46 |
| 38   | 0511017302 | FLAT WASHER                        | 34 | 38 | 42 | 46 |
| 39   | 0503010019 | 1/2" SPRING WASHER                 | 34 | 38 | 42 | 46 |
| 40   | 0503010060 | 1/2" NUT                           | 34 | 38 | 42 | 46 |
| 41   | 0501063963 | FRONT SCRAPER                      | 13 | 15 | 17 | 19 |
| 42   | 0501063962 | REAR SCRAPER                       | 13 | 15 | 17 | 19 |
| 43   | 0501041096 | DRAWBAR ASSY                       | 01 | 01 | 01 | 01 |
| 43A  | 0501060188 | DRAWBAR ASSY                       | 01 | 01 | 01 | 01 |
| 43B  | 0501060190 | TRACTOR HITCH                      | 01 | 01 | 01 | 01 |
| 44   | 0501040343 | DDRAWBOLT ASSY                     | 01 | 01 | 01 | 01 |
| 44A  | 0501010523 | DRAWBOLT                           | 01 | 01 | 01 | 01 |
| 44B  | 0503031035 | HAIR PIN                           | 01 | 01 | 01 | 01 |
| 45   | 0501065130 | DRIVER ARM                         | 04 | 04 | 04 | 04 |
| 46   | 0501065131 | DRIVER PIVOT                       | 04 | 04 | 04 | 04 |
| 47   | 0521010585 | 0.9" X 5.9" COUPLING SHAFT         | 04 | 04 | 04 | 04 |
| 48   | 0521012532 | 0.9" X 3.9" COUPLING SHAFT         | 04 | 04 | 04 | 04 |
| 49   | 0501040257 | 3/4 X 1200 HOSE HOLDER A           | 01 | 01 | 01 | 01 |
| 49A  | 0511067334 | HOSE SOPPORT ASSY                  | 01 | 01 | 01 | 01 |
| 49B  | 0503010014 | 3/4" NUT                           | 02 | 02 | 02 | 02 |
| 49C  | 0501010322 | FLAT WASHER                        | 02 | 02 | 02 | 02 |
| 50   | 0511010839 | TRANSPORT LOCK 7.9" X 2.1" X 0.4"  | 01 | 01 | 01 | 01 |
| 51   | 0501068994 | 0.3" X 3.1" LOCK PIN               | 01 | 01 | 01 | 01 |
| 52   | 0503030168 | HAIR PIN                           | 01 | 01 | 01 | 01 |
| 53   | 0511018451 | 5/8" X 3/4" X 1" UNIVERSAL         | 01 | 01 | 01 | 01 |
| 54   | 0501010198 | 1-1/4" CABLE FLAT WRENCH           | 02 | 02 | 02 | 02 |
| 55   | 0501068273 | 5/8" WRENCH                        | 01 | 01 | 01 | 01 |
| 56   | 0501061617 | 1" GANG BOLT WRENCH                | 01 | 01 | 01 | 01 |



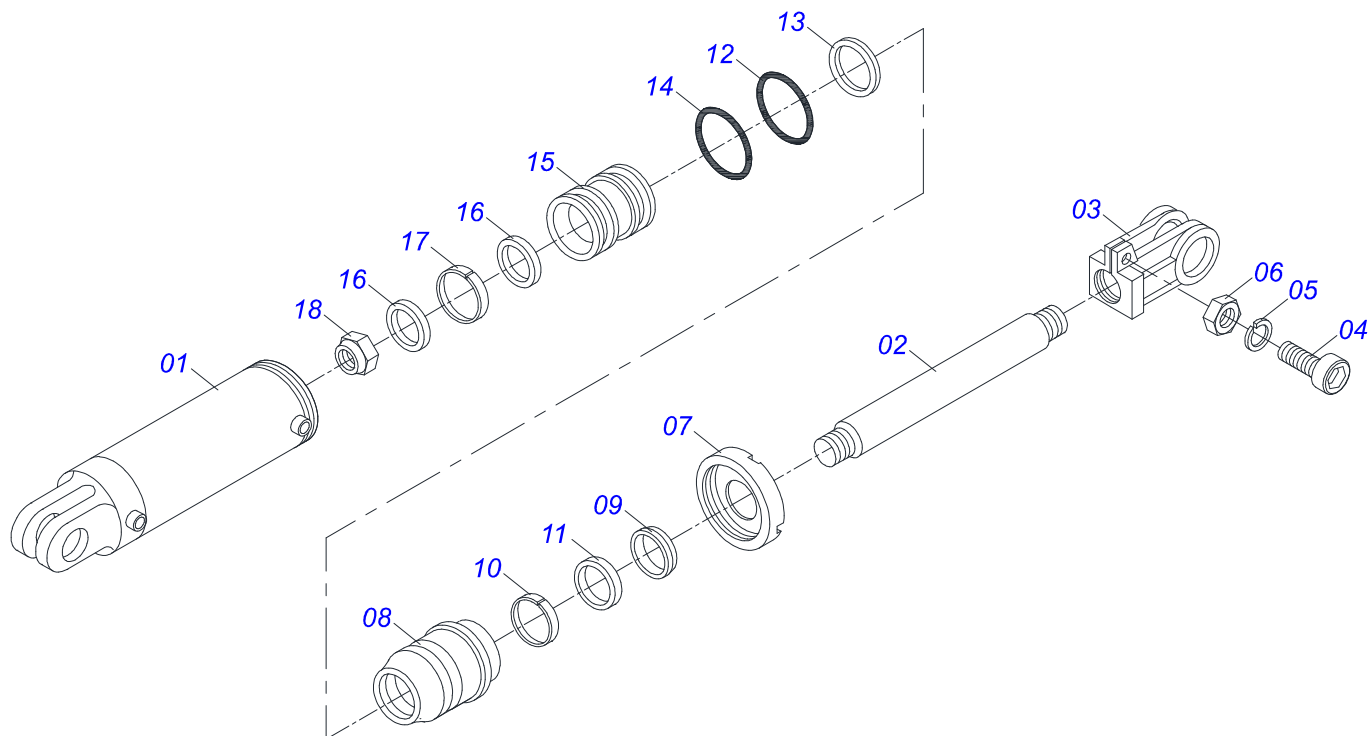
| Item | Code       | Description            | QT |
|------|------------|------------------------|----|
| 01   | 0501051142 | CARRYING WHEEL HUB     | 01 |
| 02   | 0521010821 | 2.5" X 16.5" AXLE      | 01 |
| 03   | 0501016545 | FLAT WASHER            | 01 |
| 04   | 0503030009 | 1" CASTLE NUT          | 01 |
| 05   | 0503010018 | 5/32 X 1-1/2 COTTERPIN | 01 |
| 06   | 0502020591 | PROTECCION COVER       | 01 |
| 07   | 0503011444 | SPRING WASHER          | 04 |
| 08   | 0503010358 | 5/16" X 5/8" BOLT      | 04 |
| 09   | 0503010002 | 1800 GREASE FITTING    | 01 |



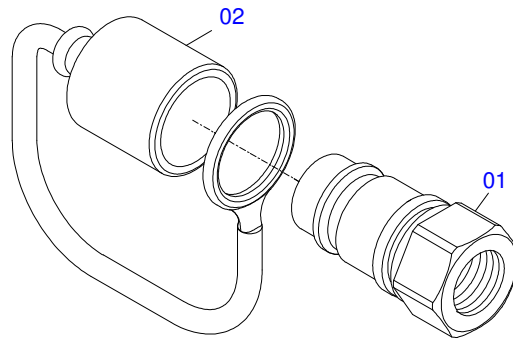
| Item | Code       | Description                   | QT |
|------|------------|-------------------------------|----|
| 001  | 0511070658 | CYLINDER CASE                 | 01 |
| 002  | 0571019958 | HYDRAULIC CYLINDER TURNBUCKLE | 01 |
| 003  | 0502040747 | FORK                          | 01 |
| 004  | 0503030385 | PLUG                          | 02 |
| 005  | 0503010039 | D-2000 SCRAPER RING           | 01 |
| 006  | 0503011094 | 3/8" X 2" BOLT C C S I 12.9   | 01 |
| 007  | 0503011443 | SPRING WASHER                 | 01 |
| 008  | 0503010026 | 3/8" NUT                      | 01 |
| 009  | 0502012820 | 50,80 X 101,60 PISTON         | 01 |
| 010  | 0503010817 | 1-1/4" SELF-ADJUSTING NUT     | 01 |
| 011  | 0503018025 | RING GUIDE                    | 01 |
| 012  | 0503018026 | 1870-2000-375 B GASKET        | 01 |
| 013  | 0503018024 | RING BS                       | 01 |
| 014  | 0503010338 | 2-342 N 3006-9B O-RING        | 02 |
| 015  | 0503011061 | 8-342 BACK-UP RING            | 02 |
| 016  | 0502012822 | 101,60 MOBILE COVER           | 01 |
| 017  | 0502012821 | 50,80 X 101,60 RING SUPPORT   | 01 |
| 018  | 0503018029 | 2-217 O-RING                  | 01 |
| 019  | 0503015633 | SELEMASTER SEALING            | 01 |



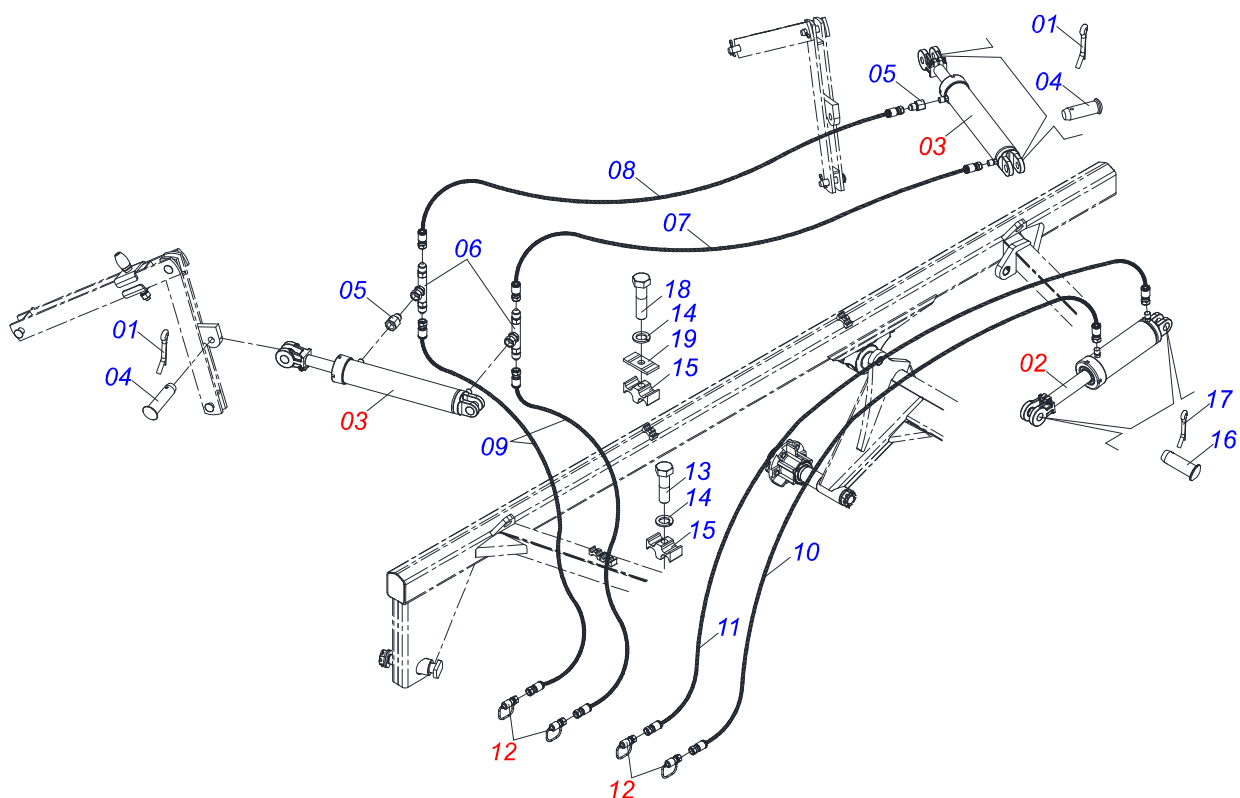
1.7"X3.4"X31"X15" HYDRAULIC CYLINDER



| Item | Code       | Description                   | QT |
|------|------------|-------------------------------|----|
| 01   | 0501065363 | 2.4" X 16" CYLINDER CASE      | 01 |
| 02   | 0511013609 | 1.7" X 27" TURNBUCLE          | 01 |
| 03   | 0502040493 | CLEVIS 26,50 R41              | 01 |
| 04   | 0503011094 | 3/8" X 2" BOLT C C S I 12.9   | 01 |
| 05   | 0503010025 | 3/8 SPRING WASHER             | 01 |
| 06   | 0503010026 | 3/8" NUT                      | 01 |
| 07   | 0502010993 | DETACHABLE COVER              | 01 |
| 08   | 0502010781 | RING SUPPORT                  | 01 |
| 09   | 0503010761 | D-1750 SCRAPER RING           | 01 |
| 10   | 0503010949 | W2-2000-500 PK RING G.E       | 01 |
| 11   | 0503010990 | GASKET                        | 01 |
| 12   | 0503010976 | 2-336 N 3006-9B O'RING        | 01 |
| 13   | 0503011060 | 8-336 BACK-UP RING            | 01 |
| 14   | 0503010042 | 2-214 N 3006-9B O'RING        | 01 |
| 15   | 0502010843 | 1.8" X 3.4" PISTON            | 01 |
| 16   | 0503010170 | PACKING 3120 2750             | 02 |
| 17   | 0503010948 | W4-3346-590 PK RING G.E       | 01 |
| 18   | 0503010063 | 1" SELF-ALIGNING NUT          | 01 |
| 19   | 0501031796 | HYDRAULIC CYLINDER REPAIR KIT |    |

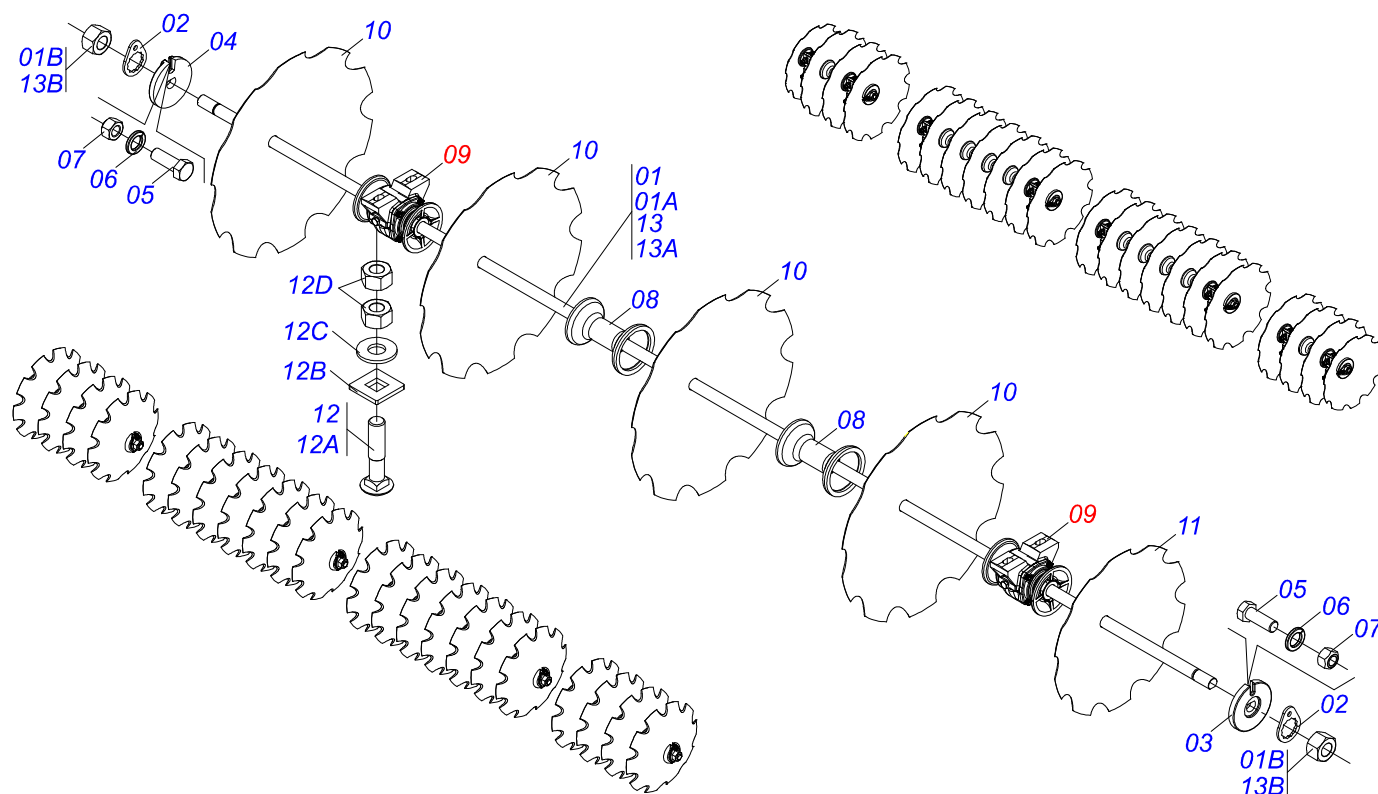


| Item | Code       | Description                         | QT |
|------|------------|-------------------------------------|----|
| 01   | 0503011627 | QUICK CONNECTION (MALE) AGR 1/2 NPT | 01 |
| 02   | 0503011882 | QUICK CONNECTION COVER              | 01 |



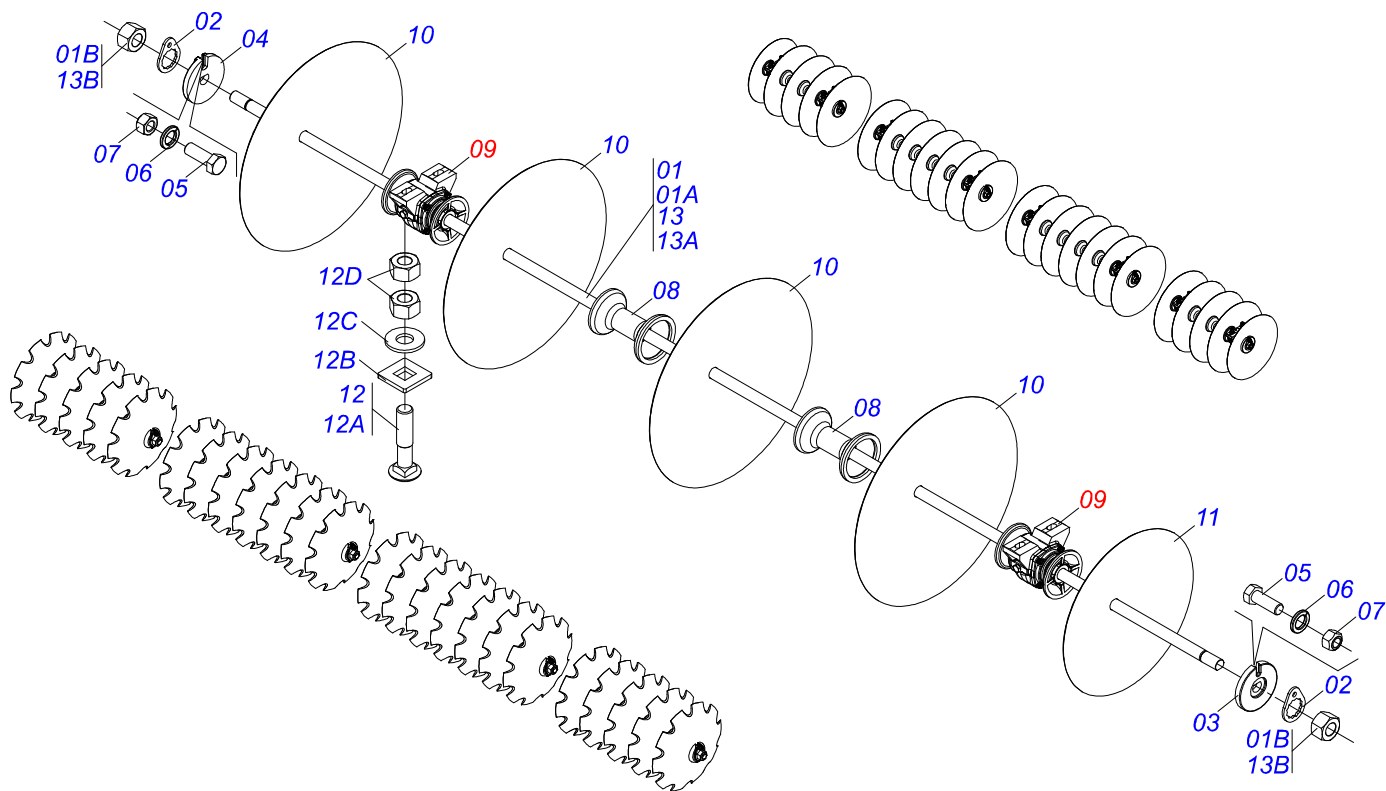
| Item | Code       | Description                          | QT |
|------|------------|--------------------------------------|----|
| 01   | 0503010571 | 1/4" X 1.1/2 COTTERPIN               | 17 |
| 02   | 0511059180 | HYDRAULIC CYLINDER                   | 01 |
| 03   | 0501044311 | 1.7"X3.4"X31"X15" HYDRAULIC CYLINDER | 02 |
| 04   | 0521010576 | 0.9" X 3.7" COUPLING SHAFT           | 04 |
| 05   | 0511018012 | 1/8" HIDRAULIC ADAPTER               | 02 |
| 06   | 0501065219 | ADPTOR WHIT GIRAT NUT                | 02 |
| 07   | 0501080379 | TR-TR HOSE ASSY                      | 01 |
| 08   | 0501080403 | 3/8" X 137" TR-TR HOSE ASSY          | 01 |
| 09   | 0501080430 | 3/8" X 161.4" TC-TM HOSE ASSY        | 02 |
| 10   | 0501080443 | 3/8" X 236" TR-TM HOSE               | 01 |
| 11   | 0501080444 | 3/8" X 250" TR-TR HOSE ASSY          | 01 |
| 12   | 0501053834 | QUICK CONECTION (MALE) 1/2           | 04 |
| 13   | 0503012555 | 7/16" X 2" BOLT                      | 02 |
| 14   | 0503010180 | 7/16" SPRING WASHER                  | 04 |
| 15   | 0502012702 | BODY SUPPORT CLAMP                   | 04 |
| 16   | 0521012538 | 1.2" X 3.5" COUPLING SHAFT           | 02 |
| 17   | 0503010523 | 1/4" X 2" COTTERPIN                  | 02 |
| 18   | 0503011103 | 7/16" X 2-1/2" BOLT                  | 02 |
| 19   | 0531011180 | UPPER BODY CLIP                      | 02 |

44D - FRONT AND REAR DISC SECTION



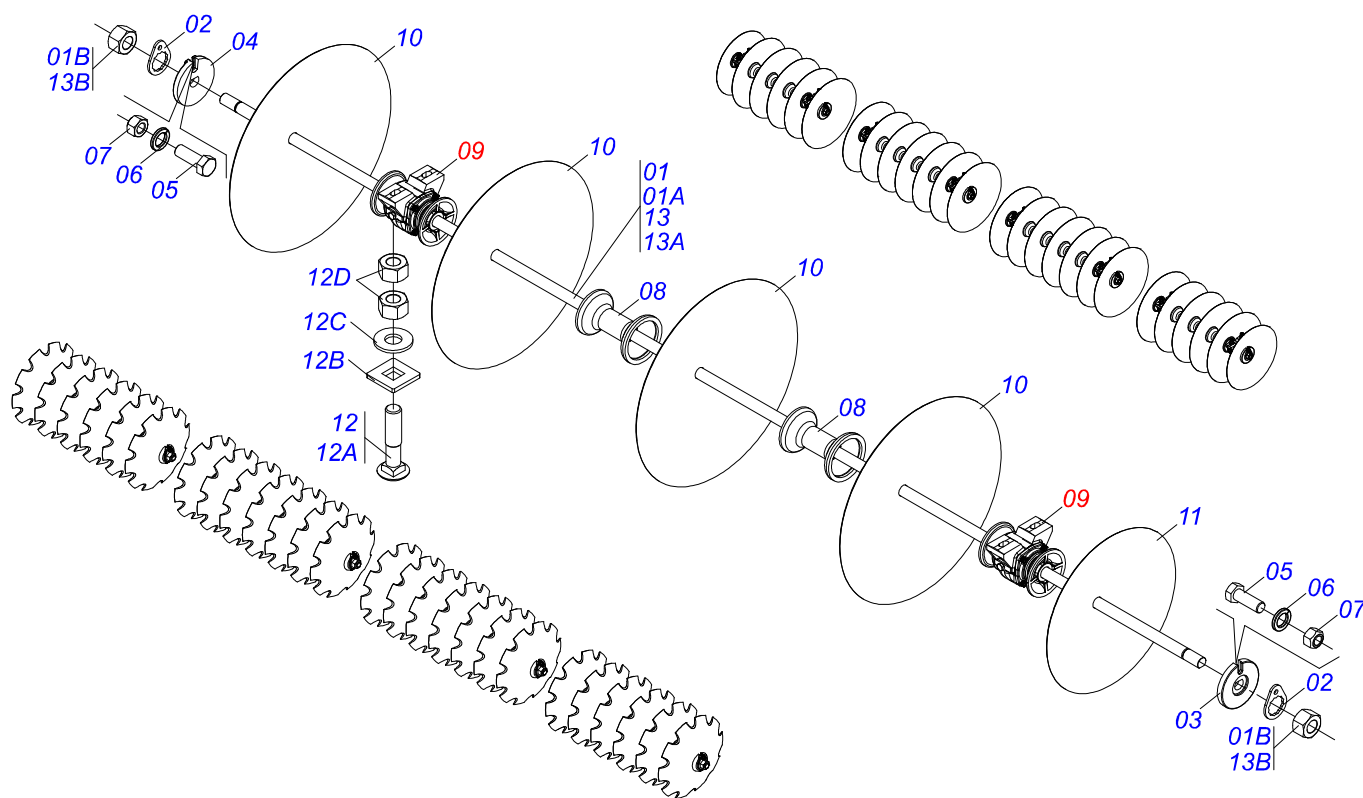
| Item | Code       | Description                       | QT |
|------|------------|-----------------------------------|----|
| 01   | 0501042202 | 1-1/4" X 50" AXLE WITH NUTS       | 04 |
| 01A  | 0501016650 | 1-1/4" X 50" AXLE                 | 01 |
| 01B  | 0501010087 | 1.1/4" NUT                        | 02 |
| 02   | 0501010455 | 1.1/4" NUT LOCK                   | 16 |
| 03   | 0502010834 | 1-1/4" INNER AXLE WASHER          | 08 |
| 04   | 0502010835 | 1-1/4" EXTERNAL AXLE WASHER       | 08 |
| 05   | 0503010395 | 1/2" X 1-1/4" BOLT                | 16 |
| 06   | 0503010019 | 1/2" SPRING WASHER                | 16 |
| 07   | 0503010060 | 1/2" NUT                          | 16 |
| 08   | 0502010549 | 7.6" X 1-1/4" SPACER              | 20 |
| 09   | 0501046922 | 7.5" X 1-1/4" OIL BATH BEARING    | 08 |
| 10   | 0602029421 | NOTCHED DISC                      | 42 |
| 11   | 0602027342 | DR20X4,5 C57AF02FR1.5/16 10R TATU | 02 |
| 12   | 0501058802 | 5/8 UNC X 2.3/4 BOLT ASSY         | 32 |
| 12A  | 0503015154 | 5/8" X 2.3/4" BOLT                | 01 |
| 12B  | 0501010947 | 5/8 NUT LOCK                      | 01 |
| 12C  | 0501012140 | FLAT WASHER                       | 01 |
| 12D  | 0503010013 | 5/8" NUT                          | 02 |
| 13   | 0501042407 | 1-1/4" X 27" AXLE WITH NUTS       | 04 |
| 13A  | 0501016648 | 1-1/4" X 27" AXLE                 | 01 |
| 13B  | 0501010087 | 1.1/4" NUT                        | 02 |

48D - FRONT AND REAR DISC SECTION



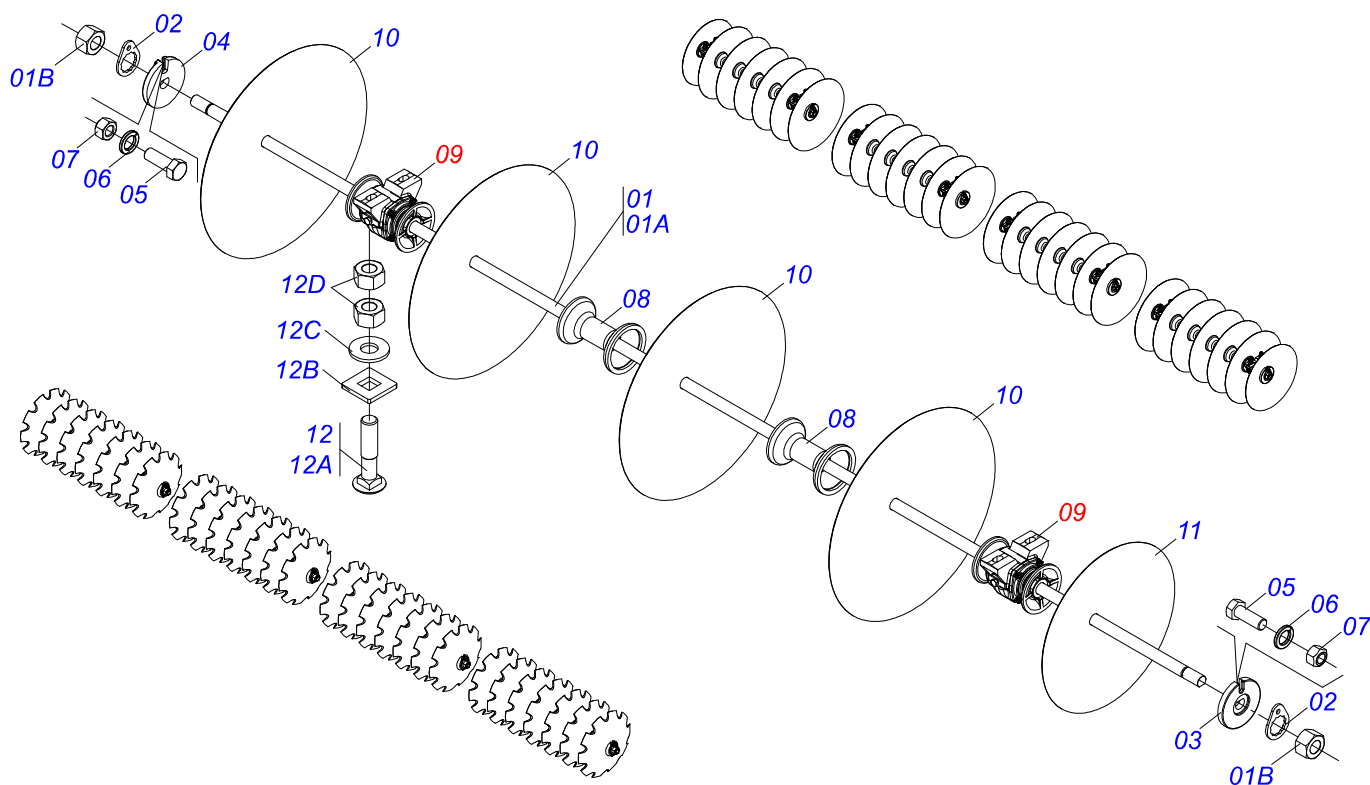
| Item | Code       | Description                    | QT |
|------|------------|--------------------------------|----|
| 01   | 0501042202 | 1-1/4" X 50" AXLE WITH NUTS    | 04 |
| 01A  | 0501016650 | 1-1/4" X 50" AXLE              | 01 |
| 01B  | 0501010087 | 1.1/4" NUT                     | 02 |
| 02   | 0501010455 | 1.1/4" NUT LOCK                | 16 |
| 03   | 0502010834 | 1-1/4" INNER AXLE WASHER       | 08 |
| 04   | 0502010835 | 1-1/4" EXTERNAL AXLE WASHER    | 08 |
| 05   | 0503010395 | 1/2" X 1-1/4" BOLT             | 16 |
| 06   | 0503010019 | 1/2" SPRING WASHER             | 16 |
| 07   | 0503010060 | 1/2" NUT                       | 16 |
| 08   | 0502010549 | 7.6" X 1-1/4" SPACER           | 24 |
| 09   | 0501046922 | 7.5" X 1-1/4" OIL BATH BEARING | 08 |
| 10   | 0601029417 | PLAIN DISC BLADE               | 22 |
| 10.  | 0602029421 | NOTCHED DISC                   | 24 |
| 11   | 0601027301 | 20" X 3,5 PLAIN DISC BLADE     | 02 |
| 12   | 0501058802 | 5/8 UNC X 2.3/4 BOLT ASSY      | 32 |
| 12A  | 0503015154 | 5/8" X 2.3/4" BOLT             | 01 |
| 12B  | 0501010947 | 5/8 NUT LOCK                   | 01 |
| 12C  | 0501012140 | FLAT WASHER                    | 01 |
| 12D  | 0503010013 | 5/8" NUT                       | 02 |
| 13   | 0501042262 | 1-1/4" X 35" AXLE WITH NUTS    | 04 |
| 13A  | 0501016647 | 1-1/4" X 35" AXLE              | 01 |
| 13B  | 0501010087 | 1.1/4" NUT                     | 02 |

52D - FRONT AND REAR DISC SECTION

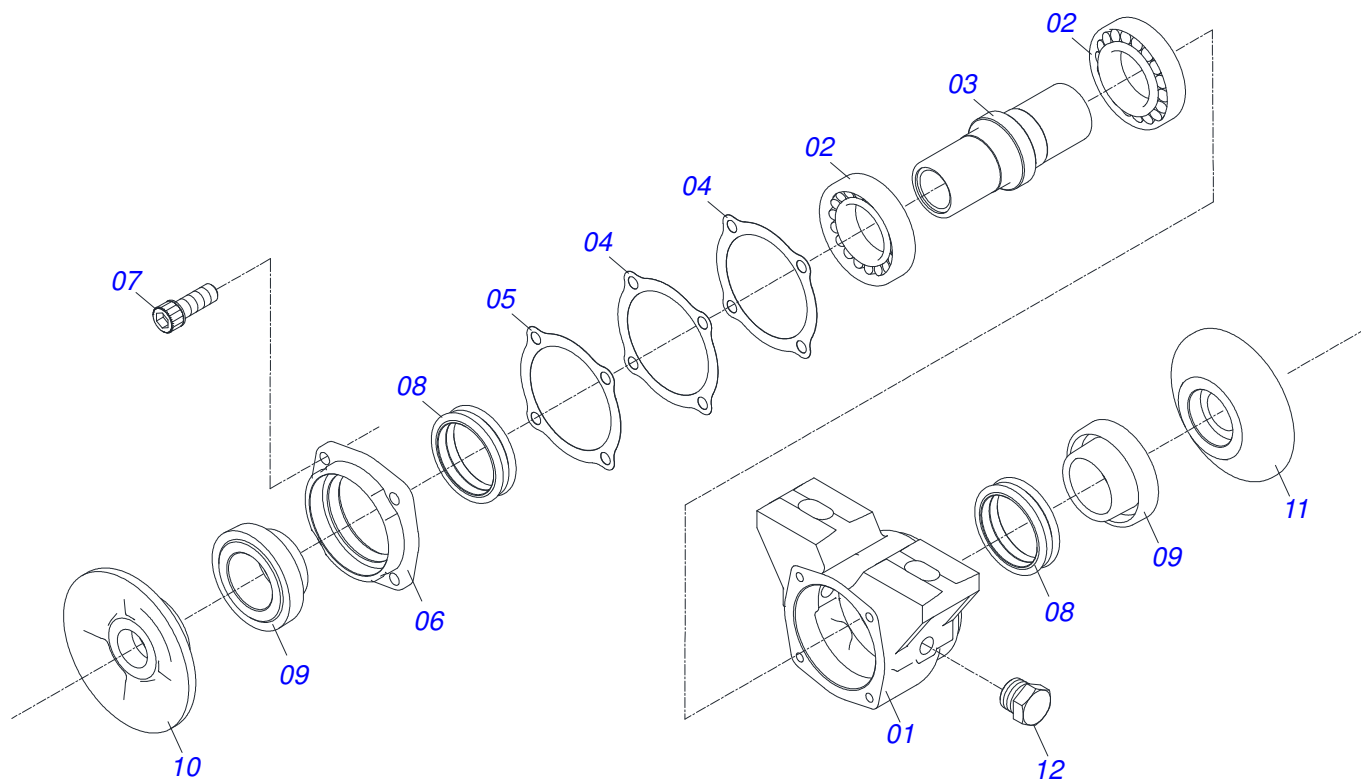


| Item | Code       | Description                    | QT |
|------|------------|--------------------------------|----|
| 01   | 0501042202 | 1-1/4" X 50" AXLE WITH NUTS    | 04 |
| 01A  | 0501016650 | 1-1/4" X 50" AXLE              | 01 |
| 01B  | 0501010087 | 1.1/4" NUT                     | 02 |
| 02   | 0501010455 | 1.1/4" NUT LOCK                | 16 |
| 03   | 0502010834 | 1-1/4" INNER AXLE WASHER       | 08 |
| 04   | 0502010835 | 1-1/4" EXTERNAL AXLE WASHER    | 08 |
| 05   | 0503010395 | 1/2" X 1-1/4" BOLT             | 16 |
| 06   | 0503010019 | 1/2" SPRING WASHER             | 16 |
| 07   | 0503010060 | 1/2" NUT                       | 16 |
| 08   | 0502010549 | 7.6" X 1-1/4" SPACER           | 22 |
| 09   | 0501046922 | 7.5" X 1-1/4" OIL BATH BEARING | 08 |
| 10   | 0601029417 | PLAIN DISC BLADE               | 24 |
| 10.  | 0602029421 | NOTCHED DISC                   | 26 |
| 11   | 0601027301 | 20" X 3,5 PLAIN DISC BLADE     | 02 |
| 12   | 0501058802 | 5/8 UNC X 2.3/4 BOLT ASSY      | 32 |
| 12A  | 0503015154 | 5/8" X 2.3/4" BOLT             | 01 |
| 12B  | 0501010947 | 5/8 NUT LOCK                   | 01 |
| 12C  | 0501012140 | FLAT WASHER                    | 01 |
| 12D  | 0503010013 | 5/8" NUT                       | 02 |
| 13   | 0501042201 | 1.1/4" X 1090 AXLE WITH NUTS   | 04 |
| 13A  | 0501016649 | 1.1/4" X 1090 AXLE             | 01 |
| 13B  | 0501010087 | 1.1/4" NUT                     | 02 |

56D - FRONT AND REAR DISC SECTION



| Item | Code       | Description                    | QT |
|------|------------|--------------------------------|----|
| 01   | 0501042202 | 1-1/4" X 50" AXLE WITH NUTS    | 08 |
| 01A  | 0501016650 | 1-1/4" X 50" AXLE              | 01 |
| 01B  | 0501010087 | 1.1/4" NUT                     | 02 |
| 02   | 0501010455 | 1.1/4" NUT LOCK                | 16 |
| 03   | 0502010834 | 1-1/4" INNER AXLE WASHER       | 08 |
| 04   | 0502010835 | 1-1/4" EXTERNAL AXLE WASHER    | 08 |
| 05   | 0503010395 | 1/2" X 1-1/4" BOLT             | 16 |
| 06   | 0503010019 | 1/2" SPRING WASHER             | 16 |
| 07   | 0503010060 | 1/2" NUT                       | 16 |
| 08   | 0502010549 | 7.6" X 1-1/4" SPACER           | 32 |
| 09   | 0501046922 | 7.5" X 1-1/4" OIL BATH BEARING | 08 |
| 10   | 0602030415 | 24" X 4,75 NOTCHED DISC BLADE  | 54 |
| 11   | 0602029421 | NOTCHED DISC                   | 02 |
| 12   | 0501058802 | 5/8 UNC X 2.3/4 BOLT ASSY      | 32 |
| 12A  | 0503015154 | 5/8" X 2.3/4" BOLT             | 01 |
| 12B  | 0501010947 | 5/8 NUT LOCK                   | 01 |
| 12C  | 0501012140 | FLAT WASHER                    | 01 |
| 12D  | 0503010013 | 5/8" NUT                       | 02 |



| Item | Code       | Description                | QT |
|------|------------|----------------------------|----|
| 01   | 0502010540 | HOUSING DM                 | 01 |
| 02   | 0503010111 | 30210 ROLLER BEARING       | 02 |
| 03   | 0502040218 | AXLE                       | 01 |
| 04   | 0503030013 | 4.4" X 3.5" X 0.004" JOINT | 02 |
| 05   | 0503030684 | 4.4" X 3.5" X 0.004" JOINT | 01 |
| 06   | 0502020424 | HOUSING CAP DM             | 01 |
| 07   | 0503010134 | 3/8" X 1" BOLT             | 04 |
| 08   | 0503030026 | SEAL LP JB-253             | 02 |
| 09   | 0502010541 | SEAL RETAINER              | 02 |
| 10   | 0502010070 | OUTER FLANGE               | 01 |
| 11   | 0502010071 | INNER FLANGE               | 01 |
| 12   | 0503010856 | OIL PLUG                   | 01 |







**MARCHESAN IMPLEMENTOS E MÁQUINAS AGRÍCOLAS TATU S.A.**

AV. Marchesan, 1979 - Post office box, 131 - CEP 15994-900 - Matão - SP - Brazil

Phone +55 16.3382-8282

(FAX Parts) + 55 16.3382. 8297 - (Export) + 55 16.3382.1003

e.mail: [tatu@marchesan.com.br](mailto:tatu@marchesan.com.br) [www.marchesan.com.br](http://www.marchesan.com.br)

**Technical Publications: Elaboration**

ALESSANDRA PATRICIA KAWAHARA CARRILI

**Technical Publications: Revision**

ALESSANDRA PATRICIA KAWAHARA CARRILI

*Contact Catálogo:*

*E-mail = [jgaspari@marchesan.com.br](mailto:jgaspari@marchesan.com.br)*

**ORIGINAL PARTS  
TATU**

