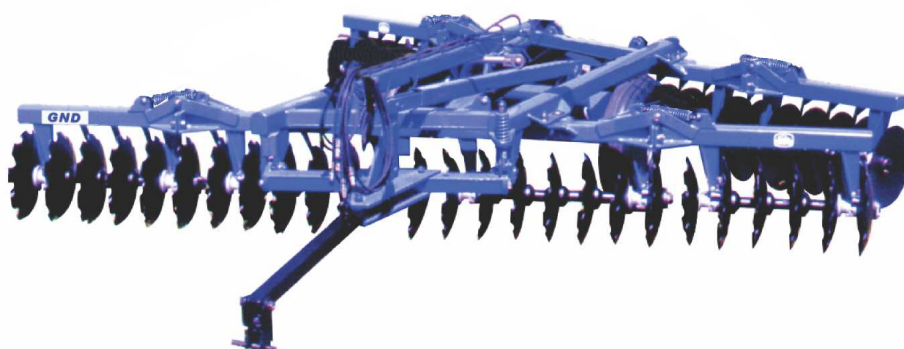


# **PARTS CATALOG**

## **HINGE TYPE OFFSET DISK HARROW**

**GND 44 A 56 D.**

**Code: 0501091205**



**Series: S-0794**

**Review: MARÇO/2017**

**ORIGINAL PARTS  
TATU**



# PRODUCTS

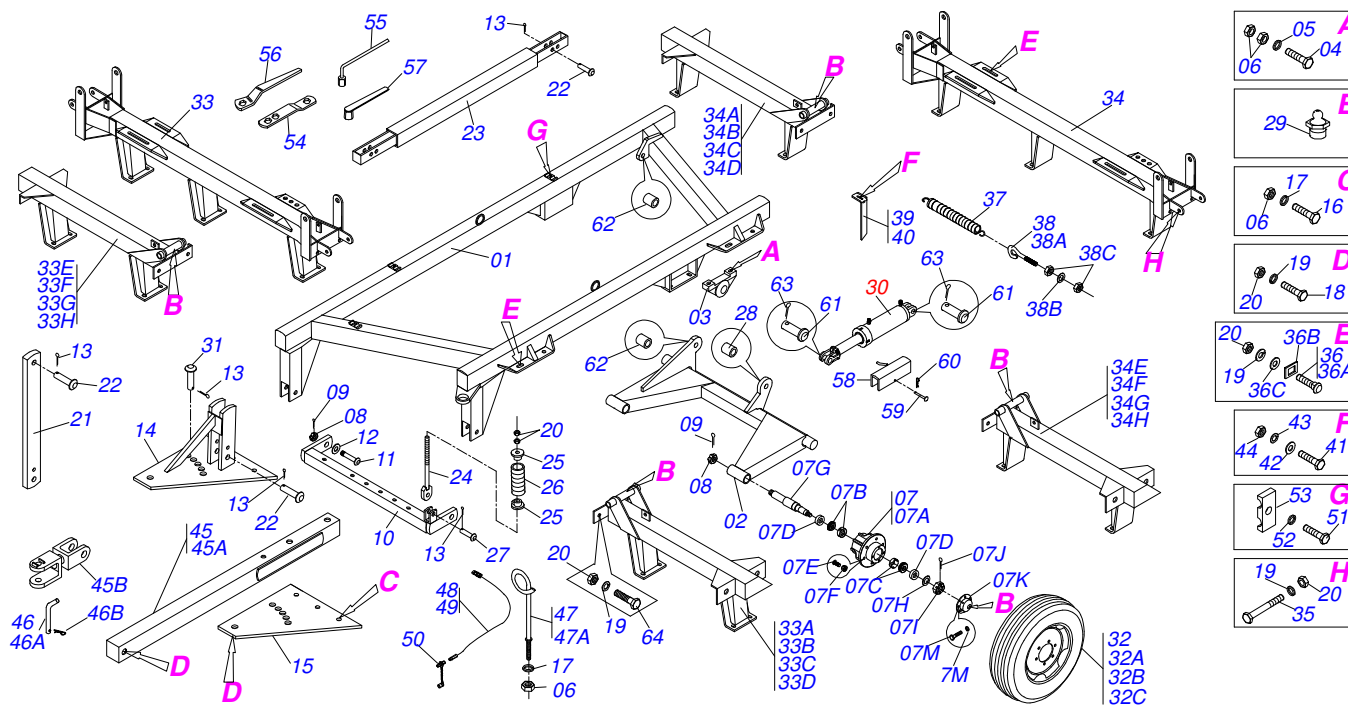
Code	Description
0102150194	GND 44 X 20 X 3,50 CM MT S-0794
0102150196	GND 44 X 20 X 3,50 DM MT S-0794
0102150195	GND 44 X 22 X 4,50 CM MT S-0794
0102150197	GND 44 X 22 X 4,50 DM MT S-0794
0102150202	GND 48 X 20 X 3,50 CM MT S-0794
0102150204	GND 48 X 20 X 3,50 DM MT S-0794
0102150203	GND 48 X 22 X 4,50 CM MT S-0794
0102150205	GND 48 X 22 X 4,50 DM MT S-0794
0102150205C	GND 48 X 22 X 4,50 DM MT EXP S-0794
0102150210	GND 52 X 20 X 3,50 CM MT S-0794
0102150211	GND 52 X 22 X 4,50 CM MT S-0794
0102150212	GND 52 X 20 X 3,50 DM MT S-0794
0102150213	GND 52 X 22 X 4,50 DM MT S-0794
0102150214	GND 56 X 20 X 5/32 CM LISO 195
0102150276	GND 52 X 22 X 4,50 DM MT PN11L15 S-0794
0102150005	GND 52 X 24 X 4,75 DM MT EIXO 1.1/2
0102150218	GND 56 X 20 X 3,50 CM MT S-0794
0102150220	GND 56 X 20 X 3,50 DM MT S-0794
0102150219	GND 56 X 22 X 4,50 CM MT S-0794
0102150016	GND 56 X 22 X 4,50 DM DR S-0794
0102150221	GND 56 X 22 X 4,50 DM MT S-0794
0102150004	GND 56 X 24 X 4,75 DM EI 1.1/2 S794

## ATTENTION: **IMPORTANT**

MARCHESAN S/A RESERVES THE RIGHT AT ANY TIME TO MAKE IMPROVEMENTS IN THE DESIGN, MATERIAL OR SPECIFICATIONS OF MACHINERY, EQUIPMENT OR PARTS WITHOUT THEREBY BECOMING LIABLE TO MAKE SIMILAR CHANGES IN MACHINERY, EQUIPMENT OR PARTS PREVIOUSLY SOLD.

# INDEX

0909090341	GND 44 A 56	.....	1
0501048420	HYDRAULIC CYLINDER	.....	2
0909090346	GANG DISC	.....	3
0501046913	GX 7" 1-1/4" BEARING ASSY	.....	4
0501043191	CM GX 7" 1-1/4 BEARING ASSY	.....	5
0501046922	7.5" X 1-1/4" OIL BATH BEARING	.....	6
0501042180	MANCAL AGR DM OL 192,5 X 1.1/4 IT	.....	7



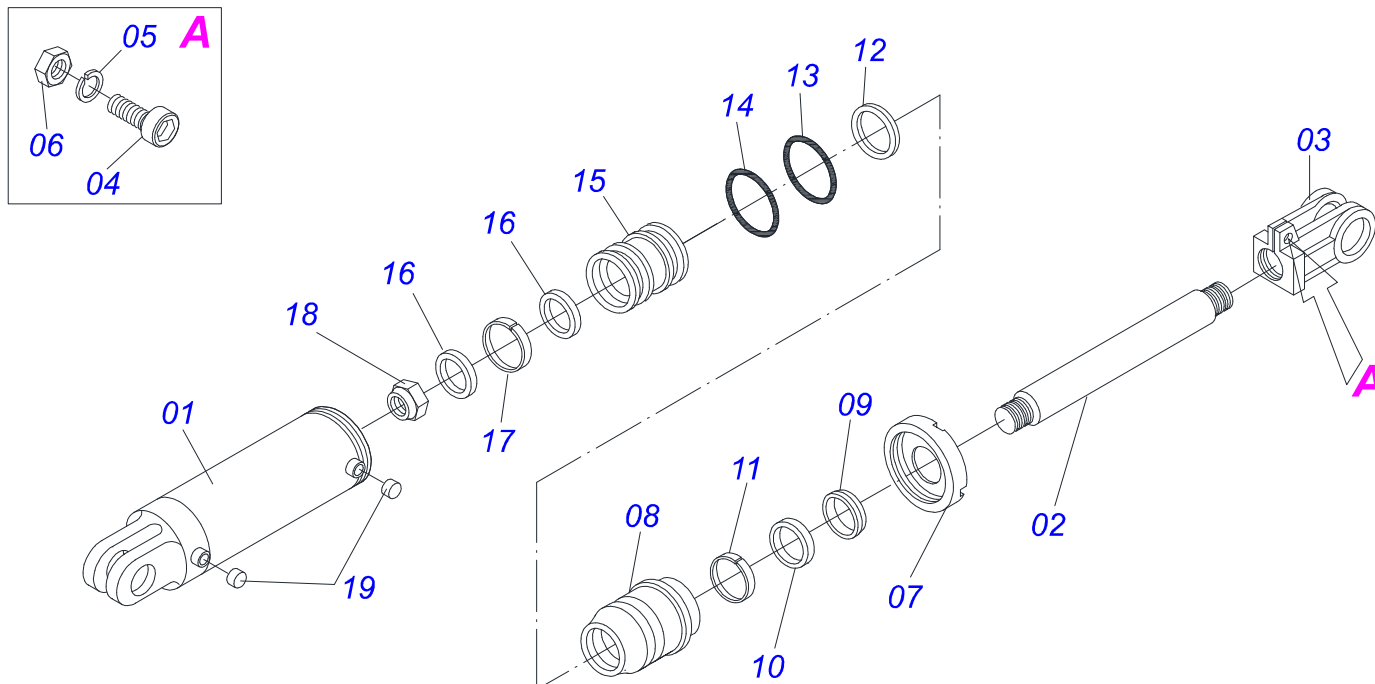
Item	Code	Description	44	48	52	56
01	0521062511	FRAME GNCR 28 A 56	01	01	01	00
01A	0501060688	FRAME	00	00	00	01
02	0501065518	CARRYING-WHEELS	01	01	01	01
03	0502010006	ARTICULACION BEARING	02	02	02	02
04	0503010797	3/4" X 4" BOLT	04	04	04	04
05	0501010322	FLAT WASHER	04	04	04	04
06	0503010014	3/4" NUT	12	12	12	12
07	0501051634	TSTUB SHAFT & HUB ASSY	02	02	02	02
07a	0502011121	CARRYING WHEEL HUB	01	01	01	01
07b	0503010006	32210 ROLLER BEARING	01	01	01	01
07c	0503010037	30207 ROLLER BEARING	01	01	01	01
07d	0503012928	SEAL	02	02	02	02
07e	0501010127	9/16" X 1-7/8" LUG BOLT	06	06	06	06
07f	0503010035	9/16" CONIC NUT	06	06	06	06
07g	0521010821	2.5" X 16.5" AXLE	01	01	01	01
07h	0501016545	FLAT WASHER	01	01	01	01
07i	0503030009	1" CASTLE NUT	01	01	01	01
07j	0503010018	5/32 X 1-1/2 COTTERPIN	01	01	01	01
07k	0502020591	PROTECCION COVER	01	01	01	01
07l	0503011444	SPRING WASHER	04	04	04	04
07m	0503010178	5/16" X 7/8" BOLT	04	04	04	04
08	0501011301	1.1/2 UNC 6FPP 2.5/16 NUT	04	04	04	04
09	0503010010	1/4" X 2.1/2" COTTERPIN	04	04	04	04
10	0501063260	OFFSET BAR	01	01	01	01
11	0521017538	11-1/2" X 5" COUPLING SHAFT	02	02	02	02
12	0511019880	FLAT WASHER	02	02	02	02
13	0503010571	1/4" X 1.1/2 COTTERPIN	04	04	04	04
14	0501064720	UPPER PLATE WITH TOWER SUPPORT	01	01	01	01
15	0501010241	UPPER /LOWER PLATE	01	01	01	01
16	0503011198	C3/4" X 6" BOLT	03	03	03	03
17	0503010023	SPRING WASHER	04	04	04	04
18	0501010060	1" X 6-1/2" BOLT	02	02	02	02
19	0503010012	1" SPRING WASHER	22	22	22	22



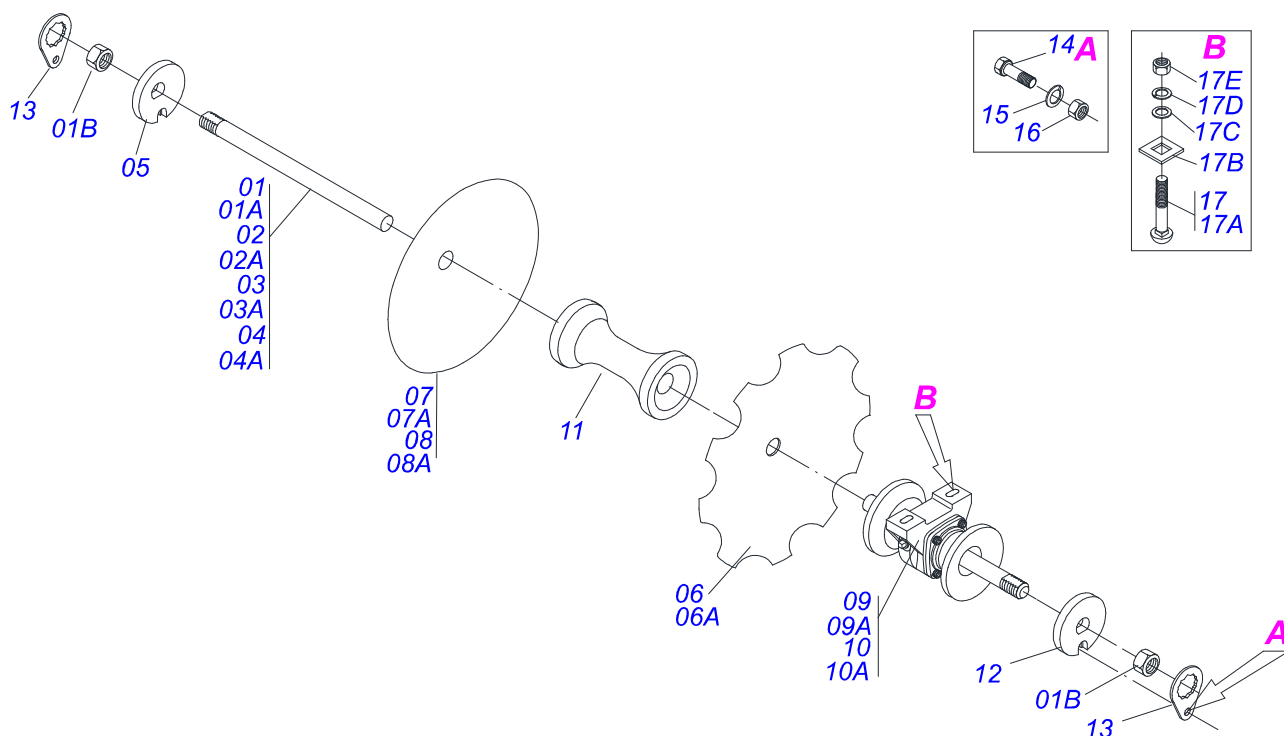
Item	Code	Description	44	48	52	56
20	0501010059	1.5/8 NUT	22	22	22	22
21	0561019346	STABILIZER BAR TOWER	01	01	01	01
22	0521010575	C0.9" X 3.3" COUPLING SHAFT	03	03	03	03
23	0501064696	STABILIZER BAR	01	01	01	01
24	0501064698	SPRING ROD	01	01	01	01
25	0502020392	SPRING SUPPORT	02	02	02	02
26	0503030441	12.7" X 5.7" X 0.5" SPRING	01	01	01	01
27	0521010592	1.1" X 3.1" COUPLING SHAFT	01	01	01	01
28	0511019921	1.3" X 0.1" X 1" SLEEVE	01	01	01	01
29	0503010002	1800 GREASE FITTING	04	04	04	04
30	0501048420	HYDRAULIC CYLINDER	01	01	01	01
31	0521010584	C0.9" X 5.7" COUPLING SHAFT	01	01	01	01
32	0503060091	L29.5" X 0.63" -10L WHEEL AND	02	02	02	02
32a	0503010893	WHEEL	01	01	01	01
32b	0503010033	7.50 X 16 INNER TIRE	01	01	01	01
32c	0503010120	CANVAS TIRE	01	01	01	01
33	0501065515	CENTRAL FRONT FRAME	01	01	01	01
33a	0501065503	LEFT FRONT FRAME	01	00	00	00
33b	0501065507	LEFT FRONT FRAME	00	01	00	00
33c	0501065511	LEFT FRONT FRAME	00	00	01	00
33d	0501065499	LEFT FRONT FRAME	00	00	00	01
33e	0501065502	RIGHT FRONT FRAME	01	00	00	00
33f	0501065506	RIGHT FRONT FRAME	00	01	00	00
33g	0501065510	RIGHT FRONT FRAME	00	00	01	00
33h	0501065498	RIGHT FRONT FRAME	00	00	00	01
34	0501065516	REAR CENTER FRAME	01	01	01	01
34a	0501065505	LEFT REAR FRAME	01	00	00	00
34b	0501065508	RIGHT REAR FRAME	00	01	00	00
34c	0501065512	RIGHT REAR FRAME	00	00	01	00
34d	0501065500	RIGHT REAR FRAME	00	00	00	01
34e	0501065505	LEFT REAR FRAME	01	00	00	00
34f	0501065509	LEFT REAR FRAME	00	01	00	00
34g	0501065513	LEFT REAR FRAME	00	00	01	00
34h	0501065501	LEFT REAR FRAME	00	00	00	01
35	0501010660	1" X 1-3/4" X 11.4" COUPLING SHAFT	04	04	04	04
36	0501040877	C1" X 3-1/4" ASSY BOLT	08	08	08	08
36a	0501014309	C1" X 3-1/4" BOLT	01	01	01	01
36b	0501010951	1" SQUARE WASHER	01	01	01	01
36c	0501010065	1" SPRING WASHER	01	01	01	01
37	0503030238	2" X 20" X 0.2" EXTENSION SPRING	08	08	08	08
38	0501041337	SPRING REGATOR	08	08	08	08
38a	0501014445	SPRING REGULATOR	01	01	01	01
38b	0501012140	FLAT WASHER	01	01	01	01
38c	0503010132	9/16" NUT	02	02	02	02
39	0501063963	FRONT SCRAPER	13	15	17	19
40	0501063962	REAR SCRAPER	13	15	17	19
41	0503011082	C1/2" X 1.3/4" BOLT	34	38	42	46
42	0511017302	FLAT WASHER	34	38	42	46
43	0503010019	1/2" SPRING WASHER	34	38	42	46
44	0503010060	1/2" NUT	60	68	76	84
45	0501041096	DRAWBAR ASSY	01	01	01	01
45a	0501060188	DRAWBAR ASSY	01	01	01	01
45b	0501060190	TRACTOR HITCH	01	01	01	01
46	0501040343	DDRAWBOLT ASSY	01	01	01	01
46a	0501010523	DRAWBOLT	01	01	01	01
46b	0503031035	HAIR PIN	01	01	01	01
47	0501040257	3/4 X 1200 HOSE HOLDER A	01	01	01	01
47a	0501013935	HOSE HOLDER	01	01	01	01
48	0501080421	3/8" X 230" TR-TM HOSE ASS	01	01	01	01
49	0501080420	3/8" X 220" TR-TM HOSE ASSY	01	01	01	01
50	0501053834	QUICK CONECTION (MALE) 1/2	02	02	02	02
51	0503012555	7/16" X 2" BOLT	03	03	03	03



Item	Code	Description	44	48	52	56
52	0503010180	7/16" SPRING WASHER	03	03	03	03
53	0502012702	BODY SUPPORT CLAMP	03	03	03	03
54	0511018451	5/8" X 3/4" X 1" UNIVERSAL	01	01	01	01
55	0501068273	5/8" WRENCH	01	01	01	01
56	0501061617	1" GANG BOLT WRENCH	01	01	01	01
57	0501010198	1-1/4" CABLE FLAT WRENCH	02	02	02	02
58	0511010839	TRANSPORT LOCK 7.9" X 2.1" X 0.4"	01	01	01	01
59	0501068994	0.3" X 3.1" LOCK PIN	01	01	01	01
60	0503030168	HAIR PIN	01	01	01	01
61	0521012538	1.2" X 3.5" COUPLING SHAFT	02	02	02	02
62	0511019920	LUVA 32,7 X 38,8 X 25,40	02	02	02	02
63	0503010523	1/4" X 2" COTTERPIN	02	02	02	02
64	0501010276	1" X 3" BOLT	08	08	08	08

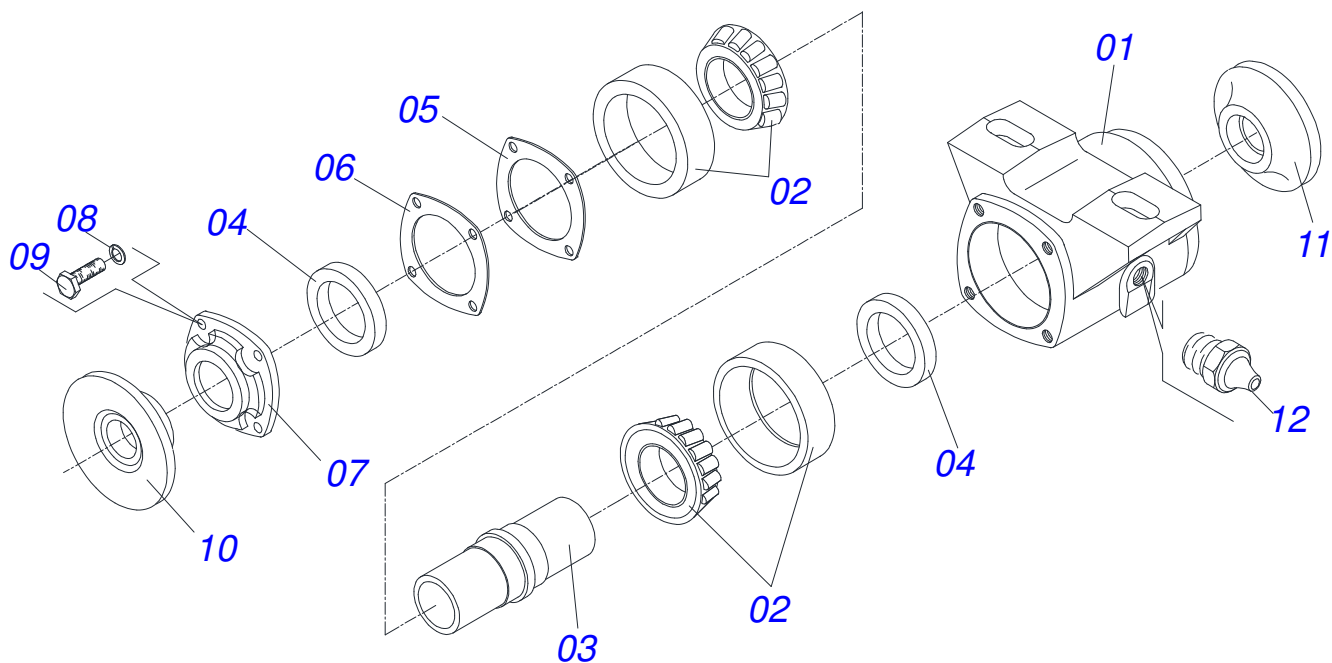


Item	Code	Description	QT
01	0501069906	4" X 16" CYLINDER CASE	01
02	0521010422	HYDRAULIC CYLINDER TURNBUCKLE	01
03	0502040747	FORK	01
04	0503011094	3/8" X 2" BOLT C C S I 12.9	01
05	0503010025	3/8 SPRING WASHER	01
06	0503010026	3/8" NUT	01
07	0502010017	4" HEAD	01
08	0502010778	2" X 4.2" RING SUPPORT	01
09	0503010039	D-2000 SCRAPER RING	01
10	0503010991	PACKING 1870-2000-375-B	01
11	0503010952	W2-2250-500 PK RING G.E	01
12	0503011061	8-342 BACK-UP RING	01
13	0503010338	2-342 N 3006-9B O'RING	01
14	0503010345	2-218 N 3006-9B O'RING	01
15	0502010992	2.0" X 4.0" PISTON	01
16	0503010043	PACKING 3750-3250	02
17	0503010994	W2-4000-500 PK RING G.E	01
18	0503010817	1-1/4" SELF-ADJUSTING NUT	01
19	0503030385	PLUG	02

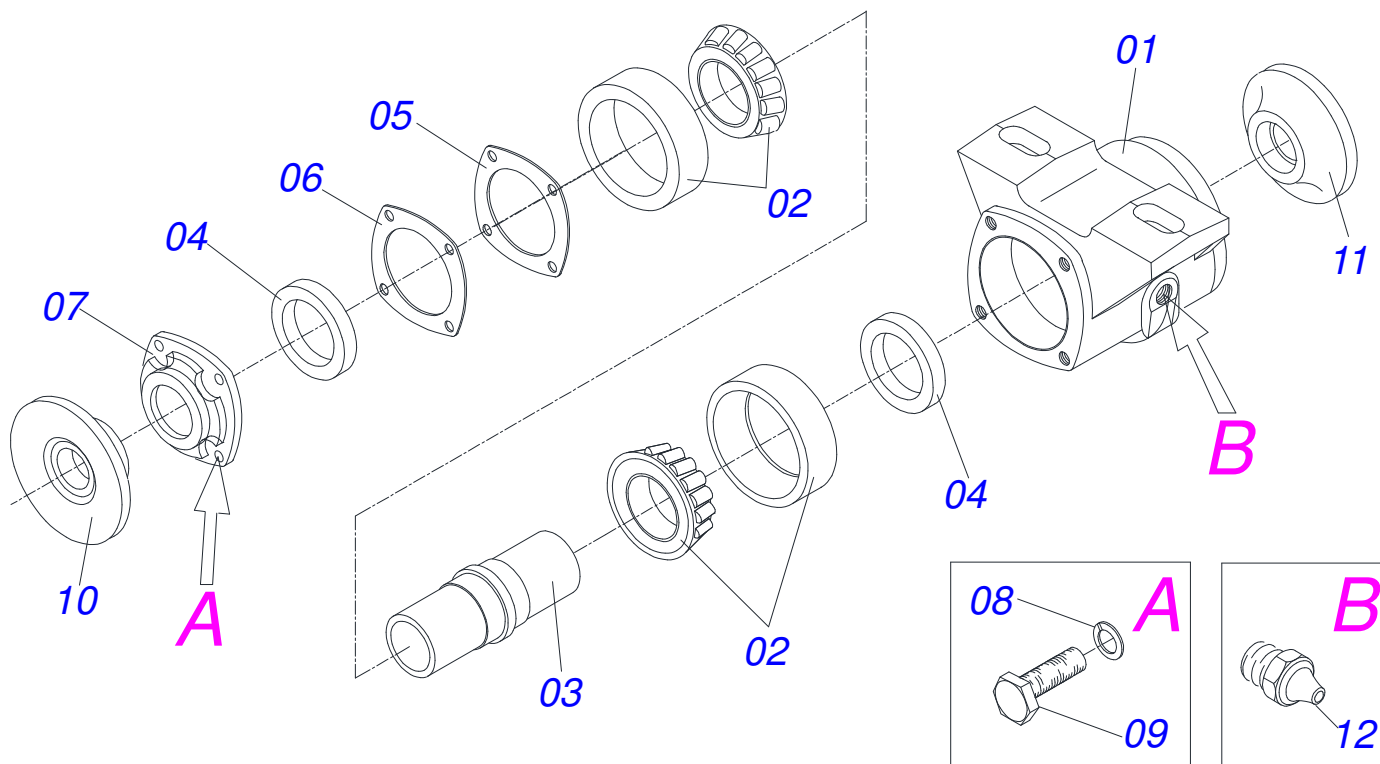


Item	Code	Description	44	48	52	56
01	0501042407	1-1/4" X 27" AXLE WITH NUTS	04	00	00	00
01A	0501016648	1-1/4" X 27" AXLE	04	00	00	00
01B	0501010087	1.1/4" NUT	16	16	16	16
02	0501042262	1-1/4" X 35" AXLE WITH NUTS	00	04	00	00
02A	0501016647	1-1/4" X 35" AXLE	00	04	00	00
03	0501042201	1.1/4" X 1090 AXLE WITH NUTS	00	00	04	00
03A	0501016649	1.1/4" X 1090 AXLE	00	00	04	00
04	0501042202	1-1/4" X 50" AXLE WITH NUTS	04	04	04	08
04A	0501016650	1-1/4" X 50" AXLE	08	08	08	08
05	0502010835	1-1/4" EXTERNAL AXLE WASHER	08	08	08	08
06	0602027002	20" X 0.2" NOTCHED DISC BLADE	22	24	26	28
06A	0602029007	22" X 0.2" NOTCHED DISC BLADE	22	24	26	28
07	0601027002	20" X 0.1" PLAIN DISC BLADE	20	22	24	26
07A	0601029006	22" X 0.2" PLAIN DISC BLADE	20	22	24	26
08	0601025043	18" X 0.1" PLAIN DISC BLADE	02	02	02	02
08A	0601027002	20" X 0.1" PLAIN DISC BLADE	02	02	02	02
09	0501046922	7.5" X 1-1/4" OIL BATH BEARING	08	08	08	08
09A	0501046913	GX 7" 1-1/4" BEARING ASSY	08	08	08	08
10	0501042180	MANCAL AGR DM OL 192,5 X 1.1/4 IT	08	08	08	08
10A	0501043191	CM GX 7" 1-1/4" BEARING ASSY	08	08	08	08
11	0502010549	7.6" X 1-1/4" SPACER	20	24	28	32
12	0502010834	1-1/4" INNER AXLE WASHER	08	08	08	08
13	0501010455	1.1/4" NUT LOCK	16	16	16	16
14	0503010395	1/2" X 1-1/4" BOLT	16	16	16	16
15	0503010019	1/2" SPRING WASHER	16	16	16	16
16	0503010060	1/2" NUT	16	16	16	16
17	0501048788	CONJUNTO PCS IMPL 5/8 UNC X 2.1/2 CA	16	16	16	16
17A	0501014177	5/8" X 2-1/2" BOLT	16	16	16	16
17B	0501010947	5/8 NUT LOCK	16	16	16	16
17C	0501010453	FLAT WASHER	16	16	16	16
17D	0503010027	SPRING WASHER	16	16	16	16
17E	0503010013	5/8" NUT	16	16	16	16

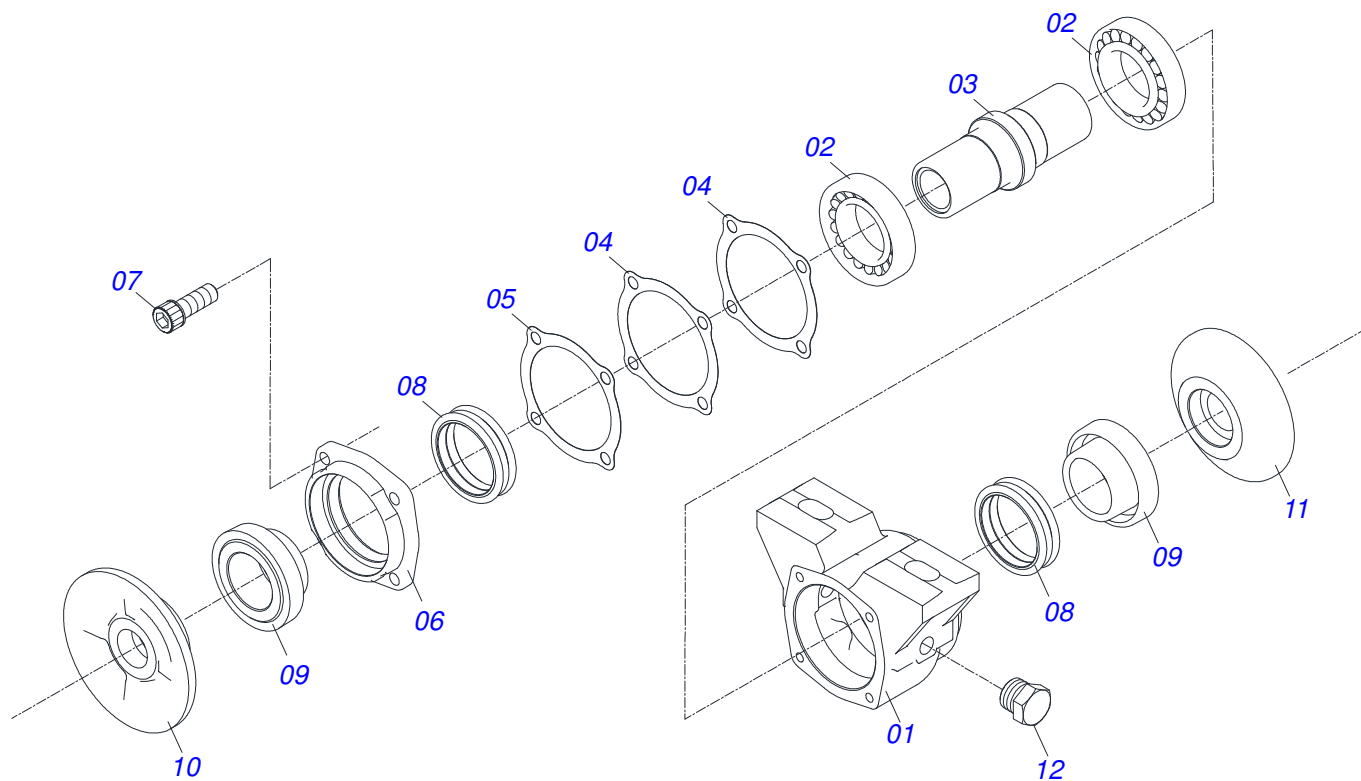




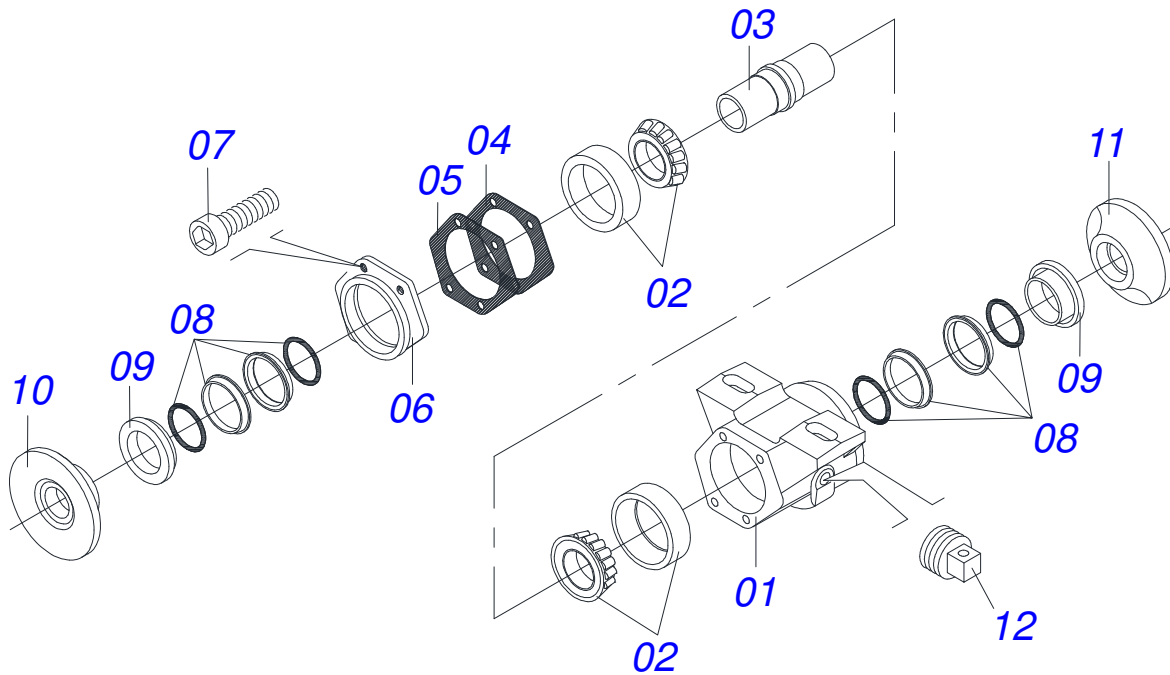
Item	Code	Description	QT
01	0502020313	HOUSING CM	01
02	0503010111	30210 ROLLER BEARING	02
03	0502040218	AXLE	01
04	0503010468	SEAL 01199-GB	02
05	0503030013	4.4" X 3.5" X 0.004" JOINT	02
06	0503030684	4.4" X 3.5" X 0.004" JOINT	01
07	0502020273	HOUSING CAP CM	01
08	0503011443	SPRING WASHER	04
09	0503810237	3/8 UNC X 1 C S G.5 SA BOLT	04
10	0502010070	OUTER FLANGE	01
11	0502010071	INNER FLANGE	01
12	0503010002	1800 GREASE FITTING	01



Item	Code	Description	QT
00	0501043191	CM GX 7" 1-1/4 BEARING ASSY	01
01	0502020489	HOUSING CM	01
02	0503010111	30210 ROLLER BEARING	02
03	0502040218	AXLE	01
04	0503010468	SEAL 01199-GB	02
05	0503030013	4.4" X 3.5" X 0.004" JOINT	02
06	0503030684	4.4" X 3.5" X 0.004" JOINT	01
07	0502020273	HOUSING CAP CM	01
08	0503011443	SPRING WASHER	04
09	0503011087	3/8" X 1" BOLT	04
10	0502010070	OUTER FLANGE	01
11	0502010071	INNER FLANGE	01
12	0503010002	1800 GREASE FITTING	01



Item	Code	Description	QT
01	0502010540	HOUSING DM	01
02	0503010111	30210 ROLLER BEARING	02
03	0502040218	AXLE	01
04	0503030013	4.4" X 3.5" X 0.004" JOINT	02
05	0503030684	4.4" X 3.5" X 0.004" JOINT	01
06	0502020424	HOUSING CAP DM	01
07	0503010134	3/8" X 1" BOLT	04
08	0503030026	SEAL LP JB-253	02
09	0502010541	SEAL RETAINER	02
10	0502010070	OUTER FLANGE	01
11	0502010071	INNER FLANGE	01
12	0503010856	OIL PLUG	01



Item	Code	Description	
00	0501042180	MANCAL AGR DM OL 192,5 X 1.1/4 IT	01
01	0502010539	HOUSING DM	01
02	0503010111	30210 ROLLER BEARING	02
03	0502040218	AXLE	01
04	0503030013	4.4" X 3.5" X 0.004" JOINT	02
05	0503030684	4.4" X 3.5" X 0.004" JOINT	01
06	0502020424	HOUSING CAP DM	01
07	0503010134	3/8" X 1" BOLT	04
08	0503030026	SEAL LP JB-253	02
09	0502010541	SEAL RETAINER	02
10	0502010070	OUTER FLANGE	01
11	0502010071	INNER FLANGE	01
12	0503010856	OIL PLUG	01





**MARCHESAN IMPLEMENTOS E MÁQUINAS AGRÍCOLAS TATU S.A.**

AV. Marchesan, 1979 - Post office box, 131 - CEP 15994-900 - Matão - SP - Brazil

Phone +55 16.3382-8282

(FAX Parts) + 55 16.3382. 8297 - (Export) + 55 16.3382.1003

e.mail: [tatu@marchesan.com.br](mailto:tatu@marchesan.com.br) [www.marchesan.com.br](http://www.marchesan.com.br)

**Technical Publications: Elaboration**

ALESSANDRA PATRICIA KAWAHARA CARRILI

**Technical Publications: Revision**

ALESSANDRA PATRICIA KAWAHARA CARRILI

*Contact Catálogo:*

*E-mail = [jgaspari@marchesan.com.br](mailto:jgaspari@marchesan.com.br)*

**ORIGINAL PARTS  
TATU**

