

HINGE TYPE OFFSET DISK HARROW

GNFM 64/68/72D - PA

Code: 0501091202

Series: S-1014

Revision: 00

Date Revision: JUNHO/2022

PARTS CATALOGUE



MARCHESAN



PRODUCTS

Code	Description
0102330287	GNFM 64 X 20 X 3,50 DM PA S-1014
0102330292	GNFM 64 X 22 X 3,5 DM PA DR S-1014
0102330290	GNFM 64 X 22 X 3,50 CM PA S-1014
0102330291	GNFM 64 X 22 X 3,50 DM PA S-1014
0102330318	GNFM 64 X 22 X 4,5 DM DR PA S-1014
0102330293	GNFM 64 X 22 X 4,5 DM PA S-1014
0102330288	GNFM 68 X 20 X 3,50 DM PA S-1014
0102330294	GNFM 68 X 22 X 3,5 CM PA S-1014
0102330295	GNFM 68 X 22 X 3,5 DM PA S-1014
0102330342	GNFM 68 X 22 X 4,5 CM PA S-1014
0102330320	GNFM 68 X 22 X 4,5 DM DR PA S-1014
0102330296	GNFM 68 X 22 X 4,5 DM PA S-1014
0102330289	GNFM 72 X 20 X 3,50 CM PA S-1014
0102330297	GNFM 72 X 20 X 3,50 DM PA S-1014
0102330298	GNFM 72 X 20 X 3,50 DM PA DL S-1014
0102330299	GNFM 72 X 22 X 3,50 CM PA S-1014
0102330322	GNFM 72 X 22 X 3,50 DL CM PA S-1014
0102330308	GNFM 72 X 22 X 3,50 DL DM PA S-1014
0102330300	GNFM 72 X 22 X 3,50 DM PA S-1014
0102330301	GNFM 72 X 22 X 3,50 DM PA DR S-1014
0102330327	GNFM 72 X 22 X 4,5 DM PA DL S-1014
0102330302	GNFM 72 X 22 X 4,50 CM PA S-1014
0102330303	GNFM 72 X 22 X 4,50 DM PA S-1014
0102330304	GNFM 72 X 22 X 4,50 DM PA DR S-1014
0102330309	GNFM 72 X 24 X 4,50 DM PA DR S-1014
0102330341	GNFM 72 X 24 X 4,50 DM PA MT S-1014

ATTENTION: IMPORTANT

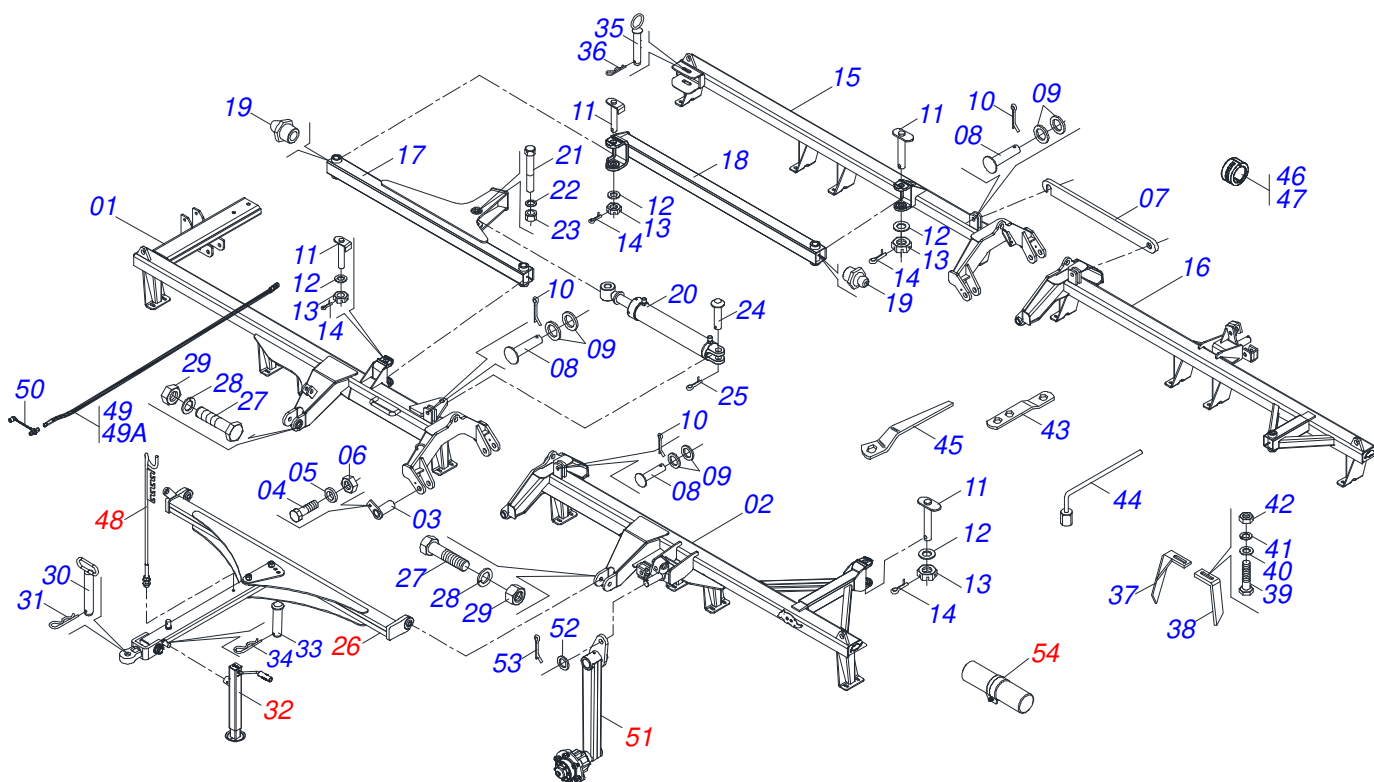
Marchesan S.A. reserves the right to improve and/or modify the technical features of its products, without obligation to do the same with those products already sold and without prior knowledge of the dealer or the consumer. The photos are only illustrative.



MARCHESAN

INDEX

0909090690	ASSY FRAME	1
0511050078	WHEEL WITH HUB	2
0501051142	CARRYING WHEEL HUB	3
0511058459	HYDRAULIC CYLINDER	4
0521044870	DRAWBAR ASSY	5
0501040257	3/4 X 1200 HOSE HOLDER A	6
0503062157	HEADER JACK	7
0521053485	ASSY MANUAL CANISTER	8
0909090345	ASSY GANG DISC - 52/56/60/64/68/72D	9
0501047055	BEARING	10
0501047045	BEARING	11
0909091724	DRAWBAR W/ COUPLING FRAME ASSY	12
0521042072	FRAME ASSY	13
0501053527	HEADER WITH EAR HITCH	14



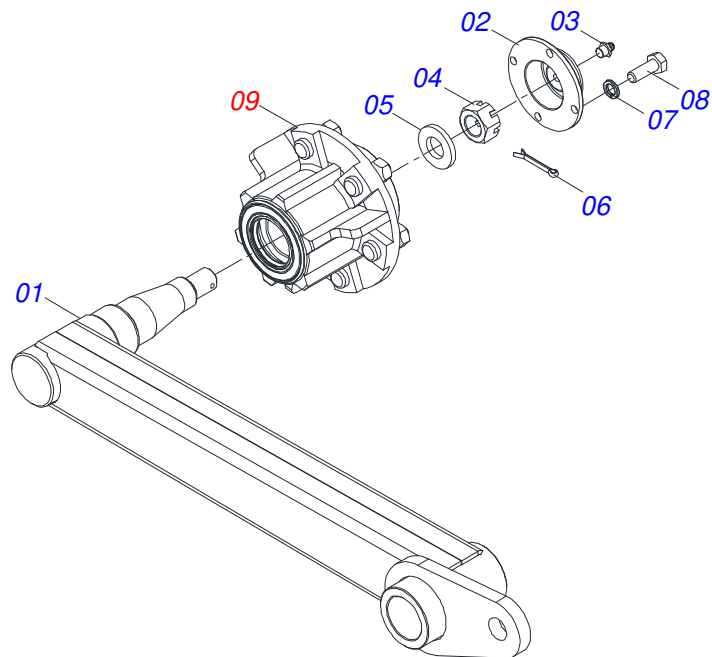
Item	Code	Description	See page	64	68	72 D.
01	0521065430	FRONT FRAME		01	00	00
01.	0521065420	FRONT FRAME		00	01	00
01..	0521065404	FRONT FRAME		00	00	01
02	0521065427	LEFT FRONT FRAME		01	00	00
02.	0521065419	LEFT FRONT FRAME		00	01	00
02..	0521065410	LEFT FRONT FRAME		00	00	01
03	0501063751	1.5" X 5.5" PIVOT SHAFT		04	04	04
04	0501010100	SCREW 5/8 UNC X 2 CS G.5 ZN		04	04	04
05	0501012140	FLAT WASHER		04	04	04
06	0503010013	5/8" NUT		04	04	04
07	0501018941	TRANSPORT LOCK		02	02	02
08	0521010592	1.1" X 3.1" COUPLING SHAFT		04	04	04
09	0511017480	FLAT WASHER		08	08	08
10	0503010571	1/4" X 1.1/2" COTTERPIN		06	06	06
11	0531019497	1.5" X 9.2" ARTICULATED AXIS		04	04	04
12	0531019540	FLAT WASHER		04	04	04
13	0501011301	1.1/2 UNC 6FPP 2.5/16 NUT		04	04	04
14	0503010010	1/4" X 2.1/2" COTTERPIN		04	04	04
15	0521065428	RIGHT REAR FRAME		01	00	00
15.	0521065422	RIGHT REAR FRAME		00	01	00
15..	0521065411	RIGHT REAR FRAME		00	00	01
16	0521065429	LEFT REAR FRAME		01	00	00
16.	0521065421	LEFT REAR FRAME		00	01	00
16..	0521065409	LEFT REAR FRAME		00	00	01
17	0521065407	FRONT STABILIZER BAR		01	01	01
18	0521065406	REAR STABILIZER BAR		01	01	01
19	0503010002	1800 GREASE FITTING		04	04	04
20	0511058459	HYDRAULIC CYLINDER	4	01	01	01
21	0501011106	1-1/4" X 7" SCREW		01	01	01
22	0503010070	SPRING WASHER		01	01	01
23	0501010087	1.1/4" NUT		01	01	01



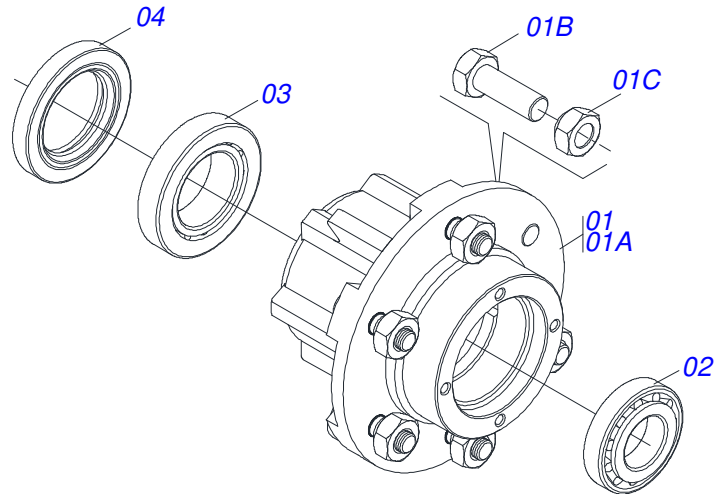
ASSY FRAME

0909090690

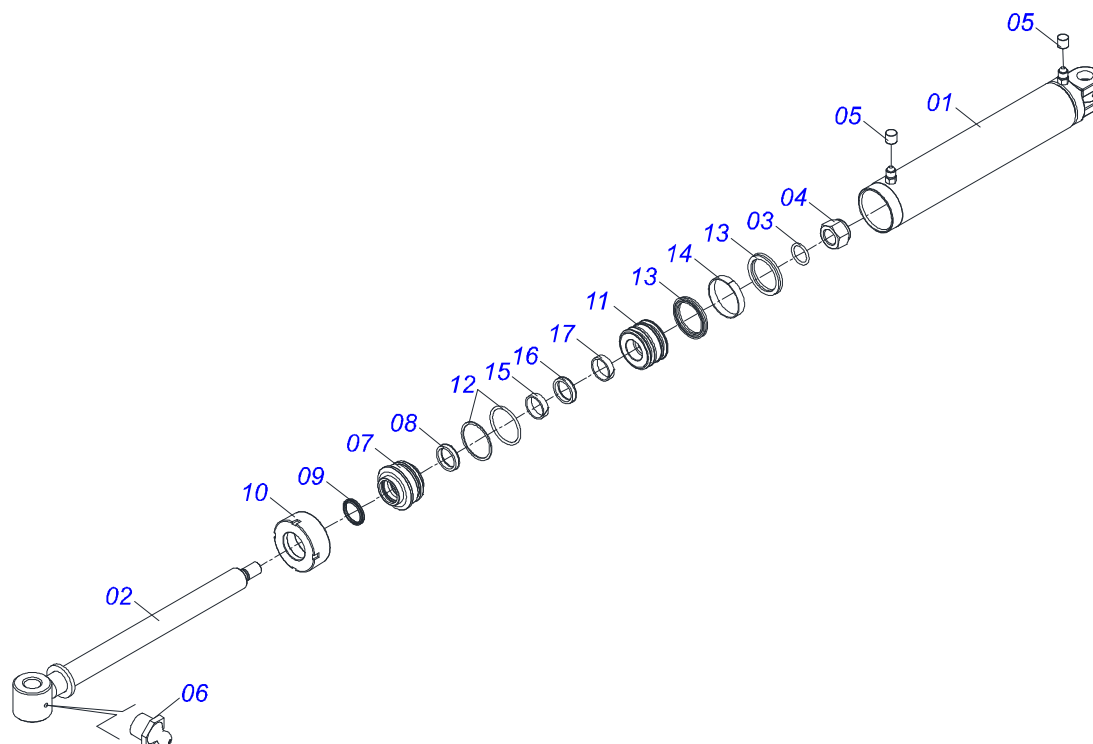
Item	Code	Description	See page	64	68	72 D.
24	0521012538	1.2" X 3.5" COUPLING SHAFT		01	01	01
25	0503010523	1/4" X 2" COTTERPIN		01	01	01
26	0521044870	DRAWBAR ASSY	5	01	01	01
27	0501010426	1-1/4" X 6" SCREW		02	02	02
28	0503010070	SPRING WASHER		02	02	02
29	0501010087	1.1/4" NUT		02	02	02
30	0501069080	COUPLING SHAFT		01	01	01
31	0503031035	HITCH PIN CLIP		01	01	01
32	0503062157	HEADER JACK	7	01	01	01
33	0521010549	COUPLING SHAFT		01	01	01
34	0503030168	HITCH PIN CLIP		01	01	01
35	0521064090	COUPLING SHAFT		01	01	01
36	0503030012	HITCH PIN CLIP		01	01	01
37	0501063963	FRONT SCRAPER		24	26	28
38	0501063962	REAR SCRAPER		24	26	28
39	0503011082	C1/2" X 1.3/4" SCREW		96	104	112
40	0511017302	FLAT WASHER		96	104	112
41	0503010019	1/2" SPRING WASHER		96	104	112
42	0503010060	1/2" NUT		96	104	112
43	0501011432	1-1/2" AND 1-5/8 GANG BOLT WRENCH		02	02	02
44	0501061617	1" GANG BOLT WRENCH		01	01	01
45	0501068273	5/8" WRENCH		01	01	01
46	0501047895	ROD STOP		02	02	02
47	0501047885	ROD STOP		04	04	04
48	0501040257	3/4 X 1200 HOSE HOLDER A	6	01	01	01
49	0501051050	HOSE ASSY		01	01	01
49A	0501080362	3/8" X 177" TC-TM HOSE		02	02	02
50	0501053834	MALE QUICK COUPLER		02	02	02
51	0511050078	WHEEL WITH HUB	2	02	02	02
52	0501015875	FLAT WASHER		02	02	02
53	0503010534	3/8 X 2-1/2 COTTERPIN		02	02	02
54	0521053485	ASSY MANUAL CANISTER	8	01	01	01



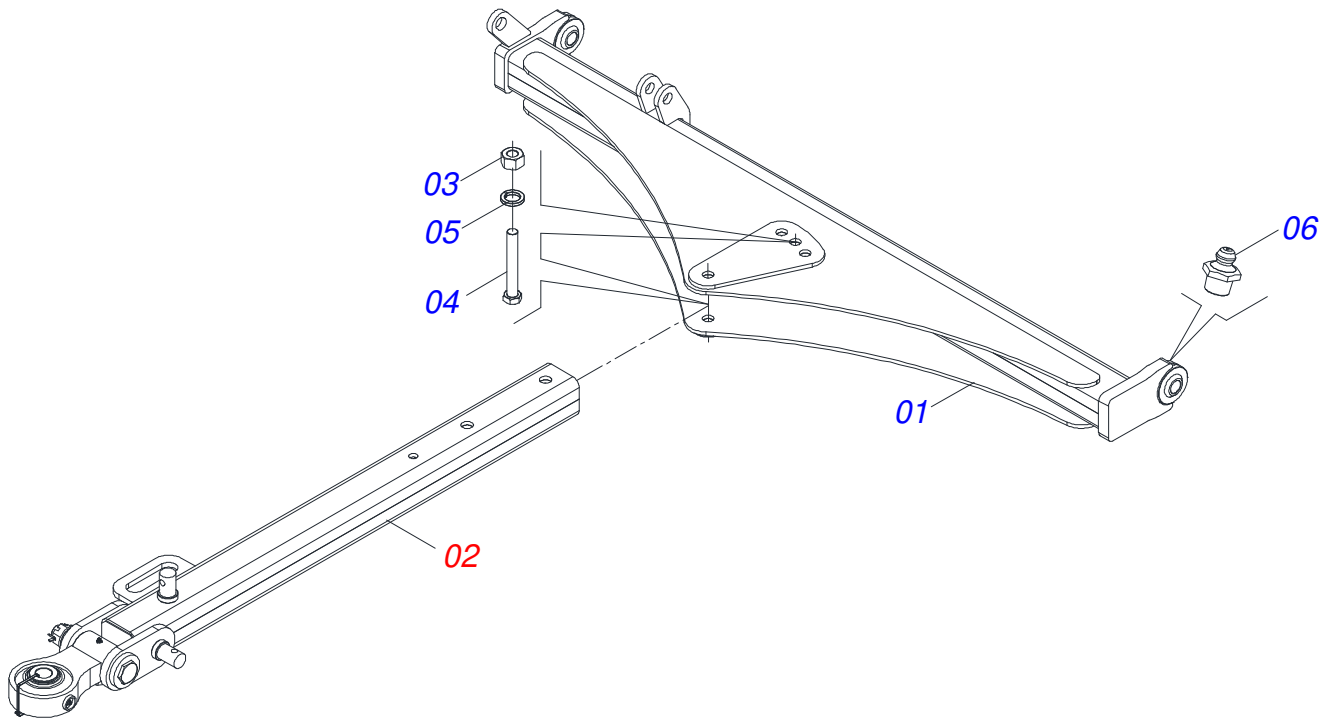
Item	Code	Description	See page	QT
01	0521061622	WHEEL SUPPORT		01
02	0502020591	PROTECCION COVER		01
03	0503010002	1800 GREASE FITTING		01
04	0503030009	1" CASTLE NUT		01
05	0501016545	FLAT WASHER		01
06	0503010018	5/32 X 1-1/2 COTTERPIN		01
07	0503011444	SPRING WASHER		04
08	0503010358	5/16" X 5/8" BOLT		04
09	0501051142	CARRYING WHEEL HUB	3	01



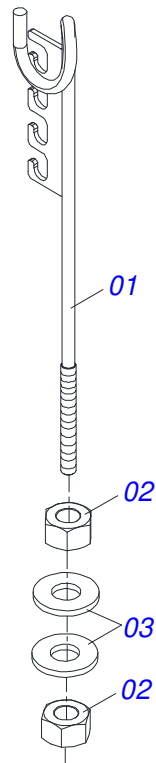
Item	Code	Description	See page	QT
01	0501110728	WHEEL HUB		01
01A	0502011121	CARRYING WHEEL HUB		01
01B	0501010127	9/16" X 1-7/8" LUG BOLT		06
01C	0503010035	9/16" CONIC NUT		06
02	0503010037	30207 ROLLER BEARING		01
03	0503010006	32210 ROLLER BEARING		01
04	0503012928	SEAL		01



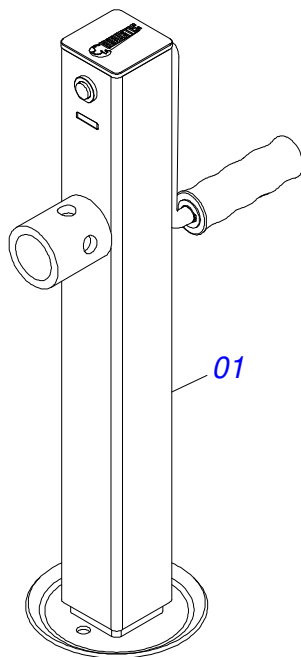
Item	Code	Description	See page	QT
01	0521061064	85,72 X 510 CYLINDER CASE		01
02	0521067533	50,80 X 697 EXTENSOR		01
03	0503010042	2-214 N 3006-9B O'RING		01
04	0503010063	1" SELF-ALIGNING NUT		01
05	0503030385	CYLINDER PLUG N-002		02
06	0503010002	1800 GREASE FITTING		02
07	0571019710	1.7" X 3.4" PISTON		01
08	0503017935	RING		01
09	0503018144	RING		01
10	0581013227	85,72 MOVEEL COVER		01
11	0581013228	50,80 X 85,72 SUPPORT RINGS		01
12	0503017940	8-337 BACK-UP RING		02
13	0503017939	2-337 N 3006-9B O' RING		02
14	0503010039	D-2000 SCRAPER RING		01
15	0503018026	1870-2000-375 B GASKET		01
16	0503018025	RING GUIDE		01
17	0503018024	RING BS		01



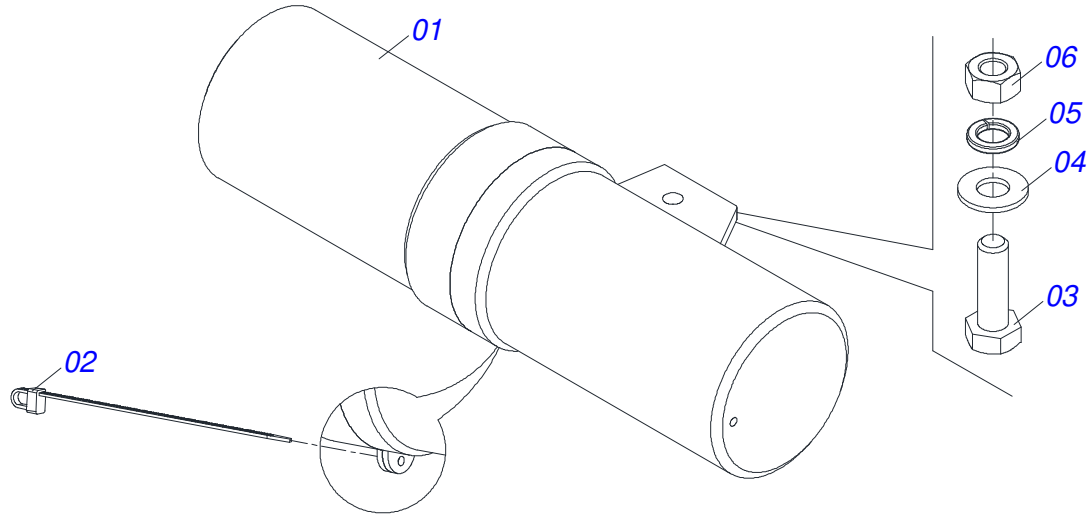
Item	Code	Description	See page	QT
01	0521065405	OFFSET BAR		01
02	0521048502	ASSY TRACTION BAR		01
03	0501010059	1.5/8 NUT		02
04	0501010334	1" X 7" BOLT		02
05	0503010012	1" SPRING WASHER		02
06	0503010002	1800 GREASE FITTING		02



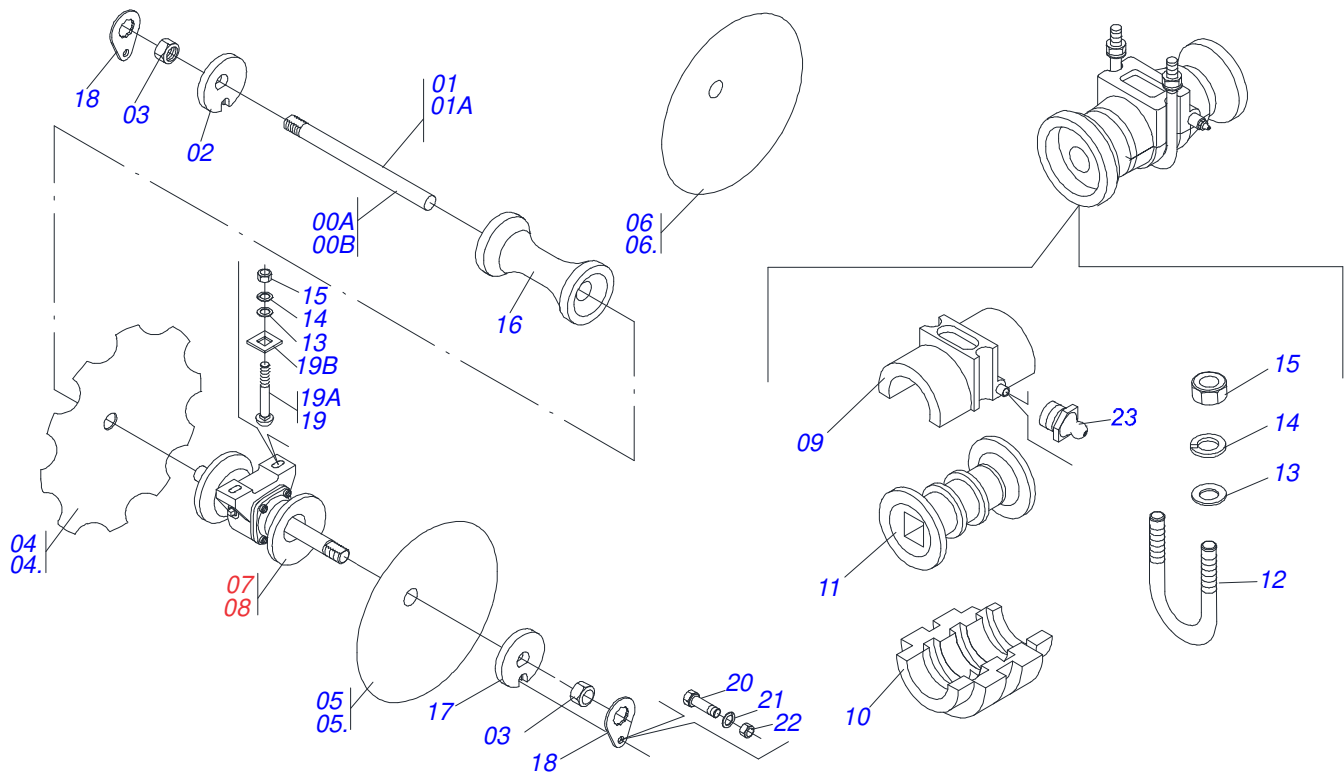
Item	Code	Description	See page	QT
01	0511067334	HOSE SOPPORT ASSY		01
02	0503010014	3/4" NUT		02
03	0501010322	FLAT WASHER		02



Item	Code	Description	See page	QT
01	0503062157	HEADER JACK	7	01

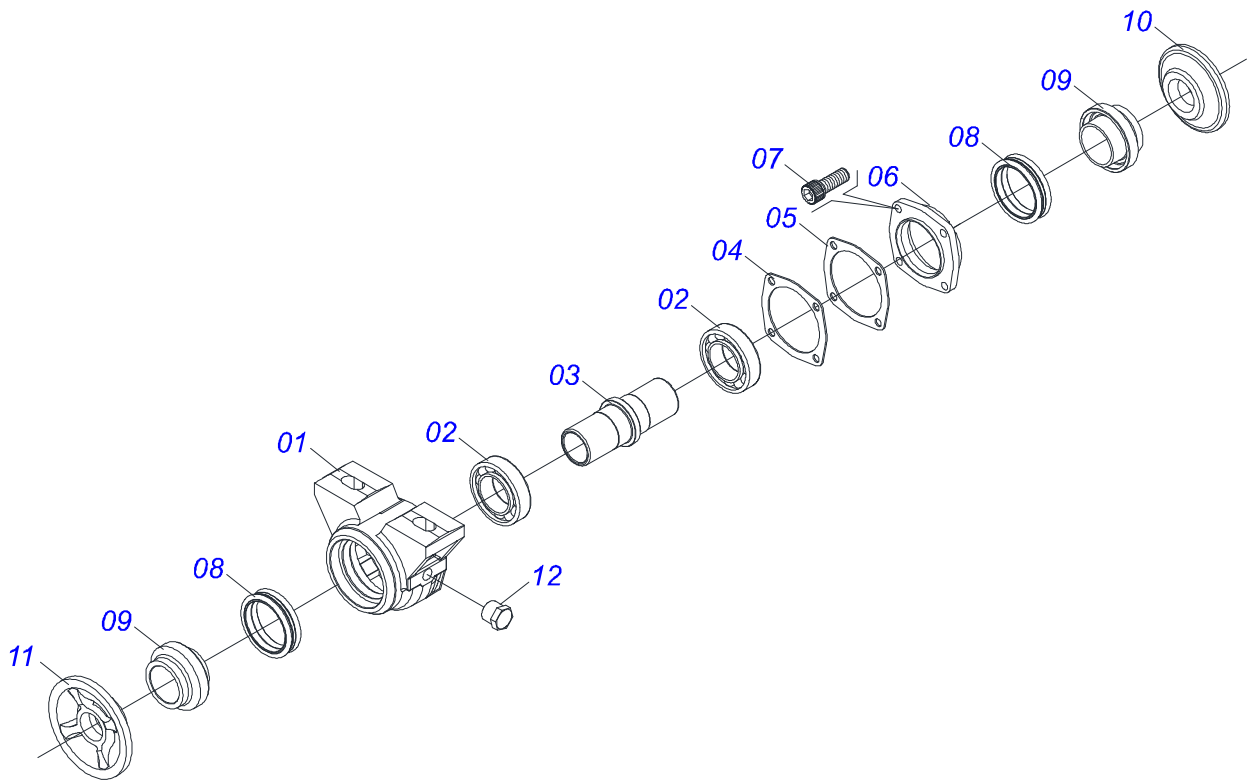


Item	Code	Description	See page	QT
01	0503060100	OPERATOR'S MANUAL STORAGE TUBE		01
02	0503010267	NYLON CLAMP		01
03	0503010363	5/16" X 1" BOLT		01
04	0501010694	FLAT WASHER		01
05	0503010179	LOCK WASHER		01
06	0503010337	5/16" NUT		01

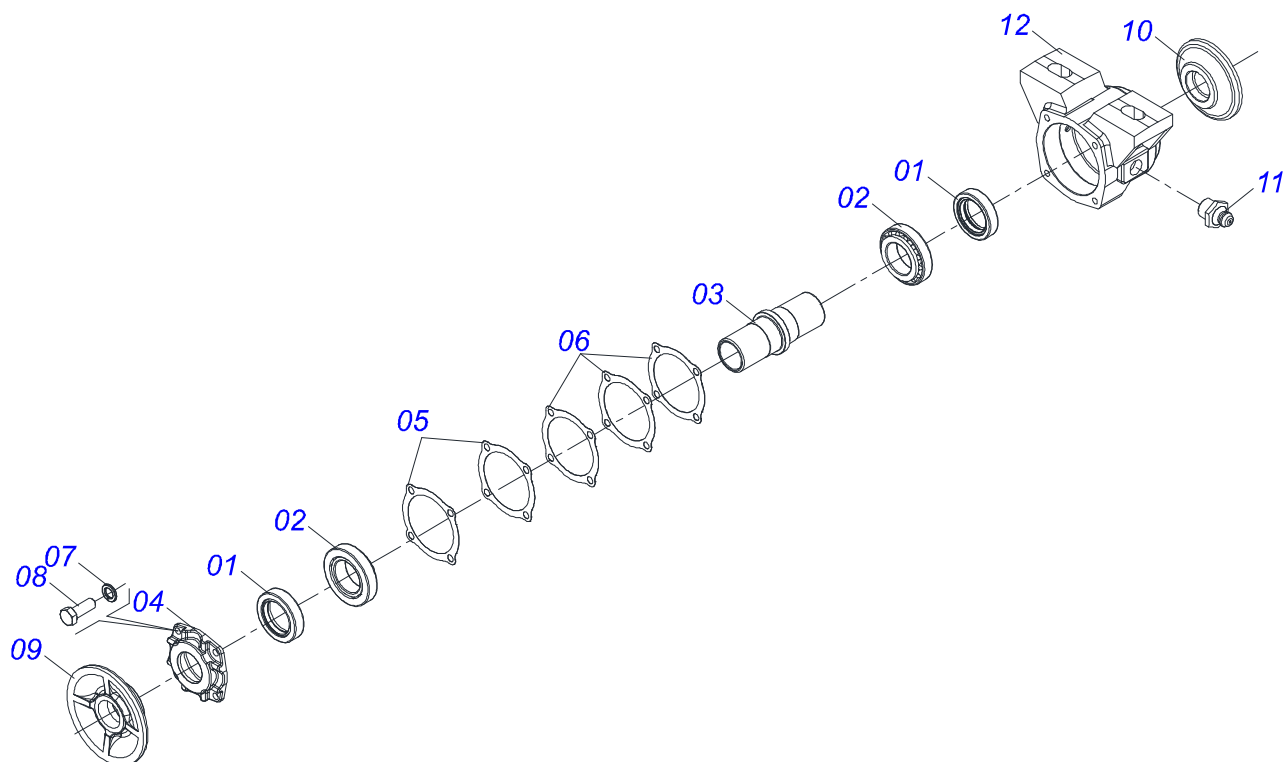


Item	Code	Description	See page	52	56	60	64	68	72
00A	0501043697	1.1/2" X 1505 AXLE ASSY		00	00	00	08	04	00
00B	0501046884	1.1/2 X 1705 AXLE W/NUT		00	00	00	00	04	08
01	0511012601	1.1/2" X 1505 AXLE		00	00	00	04	04	00
01A	0501018720	1.1/2 X 1705 AXLE		00	00	00	00	04	04
02	0502010871	1-1/2" EXTERNAL AXLE WASHER		04	04	04	04	04	04
03	0501010110	1.1/2" NUT		08	08	08	08	08	08
04	0602029416	DR22X4,5 C64AF02FR1.9/16 10REC TATU		00	00	00	32	36	36
04.	0602029422	DR22X3,5 C64AF02FR1.9/16 10R TATU		00	00	00	00	34	00
05	0601029413	DL22X4,5 C64AF02FR1.9/16 TATU		00	00	00	30	00	34
05.	0601029419	DL22X3,5 C64AF02FR1.9/16 TATU		00	00	00	00	32	00
06	0601027299	DL20X4,5 C57AF02FR1.9/16 TATU		00	00	00	02	00	02
06.	0601027302	DL20X3,5 C57AF02FR1.9/16 TATU		00	00	00	00	02	00
07	0501047055	BEARING	10	00	00	00	16	16	00
08	0501047045	BEARING	11	00	00	00	00	00	16
09	0501050169	UPPER COVER HOUSING		08	08	08	10	12	12
10	0502030006	LOWER COVER HOUSING		08	08	08	10	12	12
11	0502030005	REEL		08	08	08	10	12	12
12	0521012326	5/8 UNC X 138 X 117 FASTENER		08	08	08	10	12	12
13	0501012140	FLAT WASHER		16	16	16	20	24	24
14	0503010027	5/8" SPRING WASHER		16	16	16	20	24	24
15	0503010013	5/8" NUT		16	16	16	20	24	24
16	0502010549	7.6" X 1-1/4" SPACER		28	36	36	36	32	36
17	0502010872	1-1/2" INNER AXLE WASHER		04	04	04	04	04	04
18	0501018592	1.5/8" NUT LOCK		08	08	08	08	08	08
19	0501058802	5/8 UNC X 2.3/4 BOLT ASSY		08	08	08	08	08	08
19A	0503015154	5/8" X 2.3/4" BOLT		08	08	08	08	08	08
19B	0501010947	5/8 NUT LOCK		08	08	08	08	08	08
20	0503010395	1/2" X 1-1/4" BOLT		08	08	08	08	08	08
21	0503010019	1/2" SPRING WASHER		08	08	08	08	08	08
22	0503010060	1/2" NUT		08	08	08	08	08	08
23	0503010002	1800 GREASE FITTING		08	08	08	08	08	08

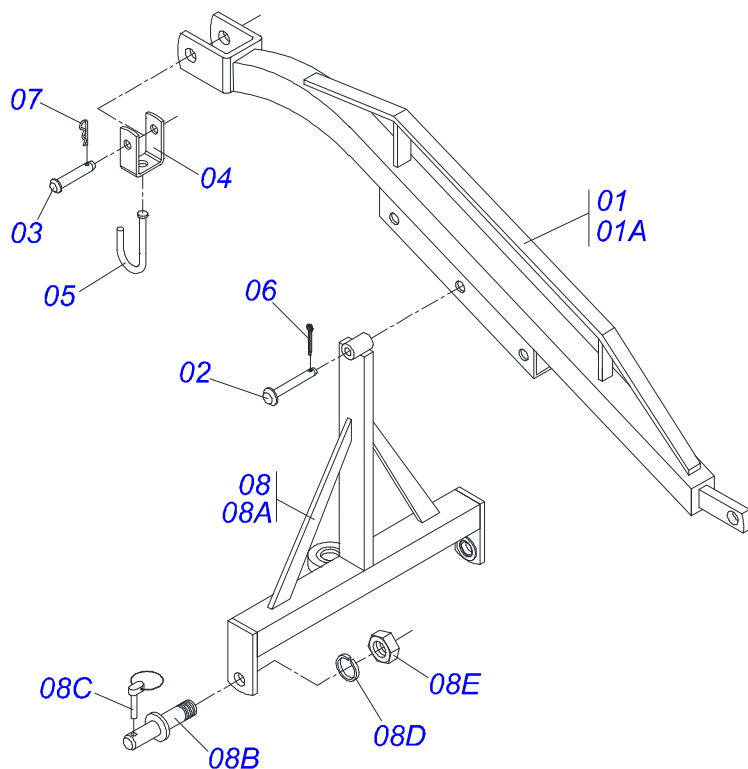
BEARING



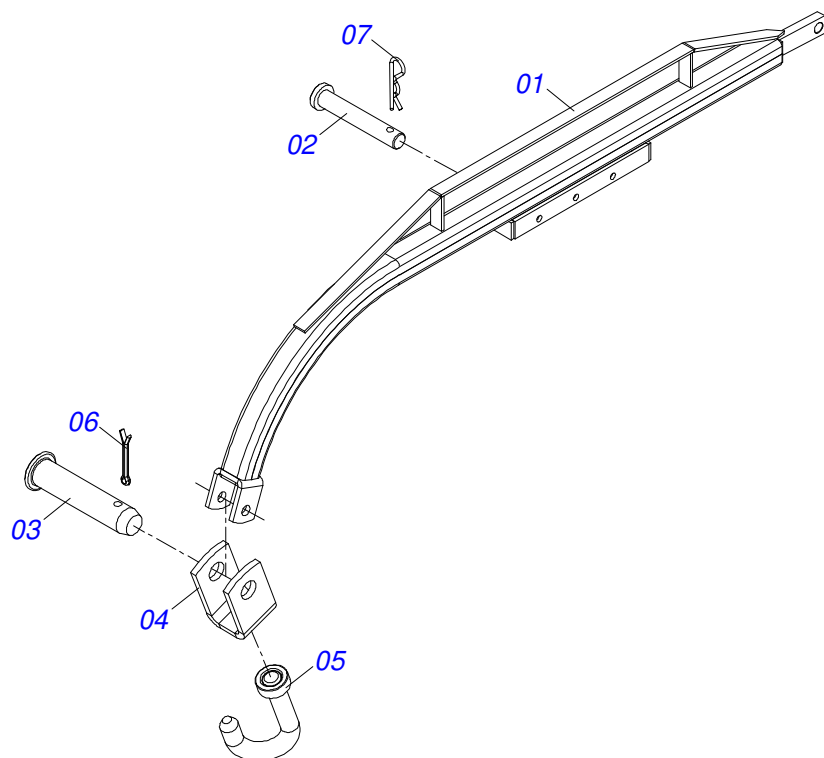
Item	Code	Description	See page	QT
01	0502010540	HOUSING DM		01
02	0503010006	32210 ROLLER BEARING		02
03	0502040061	AXLE		01
04	0503030013	4.4" X 3.5" X 0.004" JOINT		03
05	0503030684	4.4" X 3.5" X 0.004" JOINT		02
06	0502020424	HOUSING CAP		01
07	0503010134	3/8" X 1" BOLT		04
08	0503030026	SEAL LP JB-253		02
09	0502010541	SEAL RETAINER		02
10	0502010604	OUTER FLANGE		01
11	0502010605	INNER FLANGE		01
12	0503010856	OIL PLUG		02



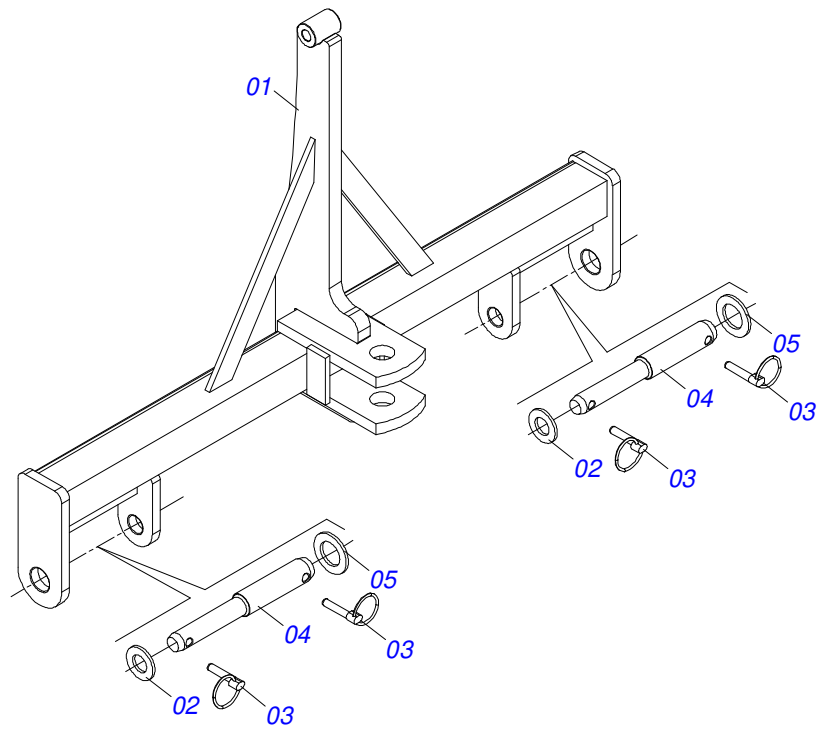
Item	Code	Description	See page	QT
01	0503010468	SEAL 01199-GB		01
02	0503010006	32210 ROLLER BEARING		02
03	0502040061	AXLE		01
04	0502020273	HOUSING CAP CM		01
05	0503030684	4.4" X 3.5" X 0.004" JOINT		02
06	0503030013	4.4" X 3.5" X 0.004" JOINT		03
07	0503011443	3/8" SPRING WASHER		04
08	0503810237	3/8 UNC X 1 C S G.5 SA BOLT		04
09	0502010604	OUTER FLANGE		01
10	0502010605	INNER FLANGE		01
11	0503010002	1800 GREASE FITTING		02
12	0502020313	HOUSING CM		01



Item	Code	Description	See page	QT
01	0521042072	FRAME ASSY	13	01
01A	0501062595	FRAME GAT 800		01
02	0501011388	COUPLING SHAFT		01
03	0521010579	COUPLING SHAFT		01
04	0511016686	U HOOK		01
05	0501067537	25,4 X 100 HOOK		01
06	0503010018	5/32 X 1-1/2 COTTERPIN		01
07	0503030168	HITCH PIN CLIP		01
08	0501053527	HEADER WITH EAR HITCH	14	01
08A	0511062944	DRAWBAR		01
08B	0521010635	2" X 5.7" COUPLING SHAFT		02
08C	0503030430	7/16 X 2" PIN LOCK		02
08D	0503011438	SPRING WASHER		02
08E	0503010340	1" NUT		02



Item	Code	Description	See page	QT
01	0501062595	FRAME GAT 800		01
02	0501011388	COUPLING SHAFT		01
03	0521010579	COUPLING SHAFT		01
04	0511016686	U HOOK		01
05	0501067537	25,4 X 100 HOOK		01
06	0503010018	5/32 X 1-1/2 COTTERPIN		01
07	0503030168	HITCH PIN CLIP		01

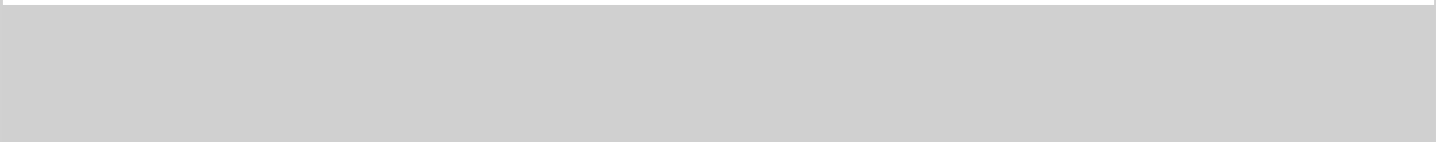


Item	Code	Description	See page	QT
01	0511062944	DRAWBAR		01
02	0501012916	FLAT WASHER 38,50 X 66 X 4,75 ZN		02
03	0503030430	7/16 X 2" PIN LOCK		04
04	0541015542	1.1/8" HITCH AXLE		02
05	0511017480	FLAT WASHER		02



ANNOTATION

A series of horizontal lines for writing annotations.





MARCHESAN

Technical Publications | Elaboration and Revision

JOSÉ DOMINGOS GASPARI

www.marchesan.com.br

