

HINGE TYPE OFFSET DISK HARROW

GNF 36 TO 60 D - TUBE

Code: 0501091199
Series: S-1101
Revision: 00
Revision Date: OUTUBRO/2023

PARTS CATALOGUE



MARCHESAN

PRODUCTS

Code	Description	
0102180069	GNF 36 X 20 X 3,50 CM	S-1101
0102180071	GNF 36 X 20 X 3,50 DM	S-1101
0102180070	GNF 36 X 22 X 3,50 CM	S-1101
0102180072	GNF 36 X 22 X 3,50 DM	S-1101
0102180075	GNF 40 X 20 X 3,50 CM	S-1101
0102180077	GNF 40 X 20 X 3,50 DM	S-1101
0102180076	GNF 40 X 22 X 3,50 CM	S-1101
0102180078	GNF 40 X 22 X 3,50 DM	S-1101
0102180027	GNF 40 X 22 X 4,50 DM	S-1101
0102180244	GNF 40 X 22 X 4,50 DM DR	S-1101
0102180081	GNF 44 X 20 X 3,50 CM	S-1101
0102180083	GNF 44 X 20 X 3,50 DM	S-1101
0102180013	GNF 44 X 20 X 3,50 DM DR	S-1101
0102180082	GNF 44 X 22 X 3,50 CM	S-1101
0102180084	GNF 44 X 22 X 3,50 DM	S-1101
0102180256	GNF 44 X 22 X 3,50 DM DR	S-1101
0102180087	GNF 48 X 20 X 3,50 CM	S-1101
0102180089	GNF 48 X 20 X 3,50 DM	S-1101
0102180088	GNF 48 X 22 X 3,50 CM	S-1101
0102180090	GNF 48 X 22 X 3,50 DM	S-1101
0102180093	GNF 52 X 20 X 3,50 CM	S-1101
0102180095	GNF 52 X 20 X 3,50 DM	S-1101
0102180094	GNF 52 X 22 X 3,50 CM	S-1101
0102180096	GNF 52 X 22 X 3,50 DM	S-1101
0102180099	GNF 56 X 20 X 3,50 CM	S-1101
0102180101	GNF 56 X 20 X 3,50 DM	S-1101
0102180100	GNF 56 X 22 X 3,50 CM	S-1101
0102180102	GNF 56 X 22 X 3,50 MT DM E 1.1/4	S-1101
0102180228	GNF 56 X 22 X 4,50 DM	S-1101
0102180313	GNF 56 X 22 X 4,50 MT CM E 1.1/4	S-1101

ATTENTION: IMPORTANT

Marchesan S.A. reserves the right to improve and/or modify the technical features of its products, without obligation to do the same with those products already sold and without prior knowledge of the dealer or the customer. The photos are only illustrative.



PRODUCTS

0102180105	GNF 60 X 20 X 3,50 CM	S-1101
0102180107	GNF 60 X 20 X 3,50 DM	S-1101
0102180106	GNF 60 X 22 X 3,50 CM	S-1101
0102180108	GNF 60 X 22 X 3,50 DM	S-1101
0102180210	GNF 60 X 22 X 4,50 DM	S-1101

ATTENTION: IMPORTANT

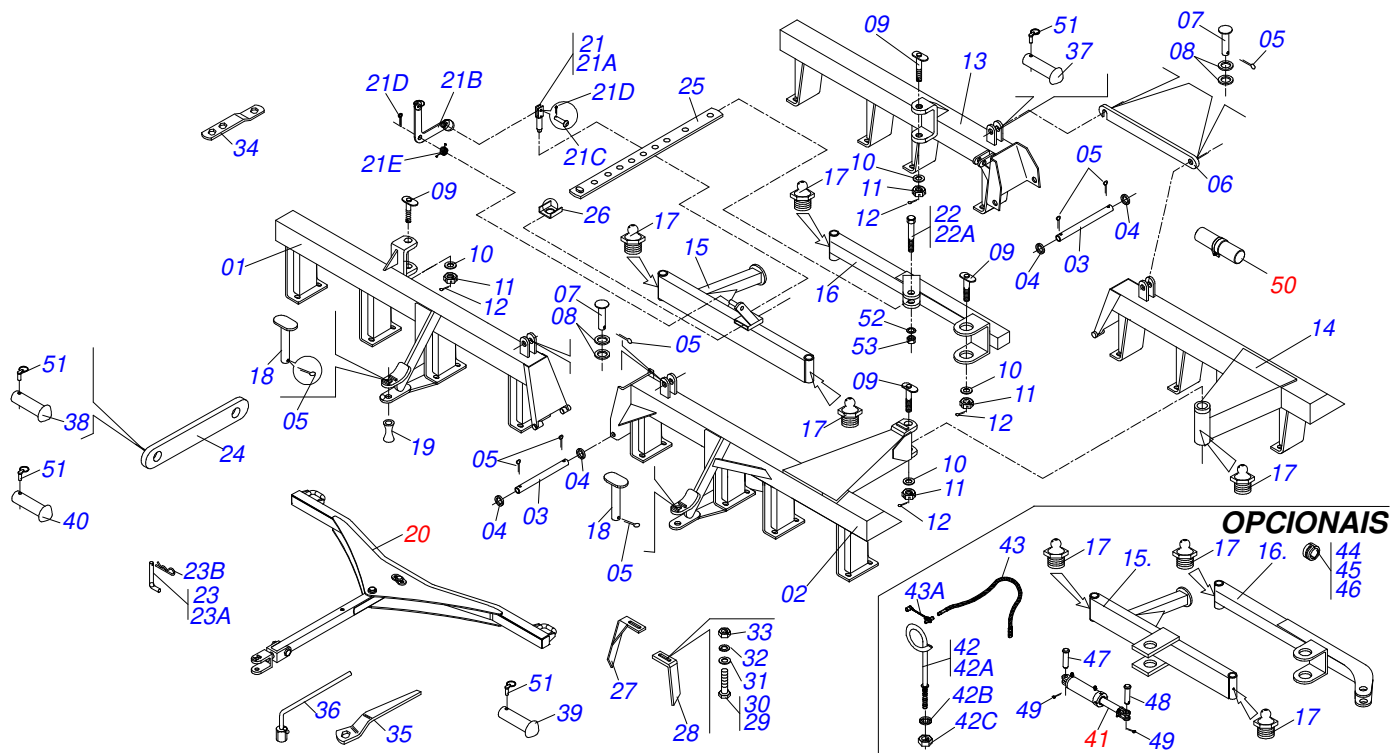
Marchesan S.A. reserves the right to improve and/or modify the technical features of its products, without obligation to do the same with those products already sold and without prior knowledge of the dealer or the customer. The photos are only illustrative.



MARCHESAN

INDEX

0909090327	ASSY FRAME 36/40/44/48D	1
0909090330	ASSY FRAME 52/56/60/64/68/72D	2
0501043380	DRAWBAR ASSY	3
0511047373	DRAWBAR ASSY	4
0501044312	1.7"X3.4"X31"X15" HYDRAULIC CYLINDER	5
0521053415	ASSY MANUAL CANISTER	6
0909090344	GANG DISC ASSY 24/28/32/36/40/44/48D (AXLE 1.1/4")	7
0909090345	ASSY GANG DISC - 52/56/60/64/68/72D	8
0909093650	GANG DISC GNF GNFM 52 A 72 (1.1/4")	9
0501046913	GX 7" 1-1/4" BEARING ASSY	10
0501043191	CM GX 7" 1-1/4" BEARING ASSY	11
0501046922	AGRICULTURAL BEARING DM OL 7 X 1.1/4 IMPLEMENT	12
0501042180	BEARING DUROMARK OL 192,5 X 1.1/4 IT	13

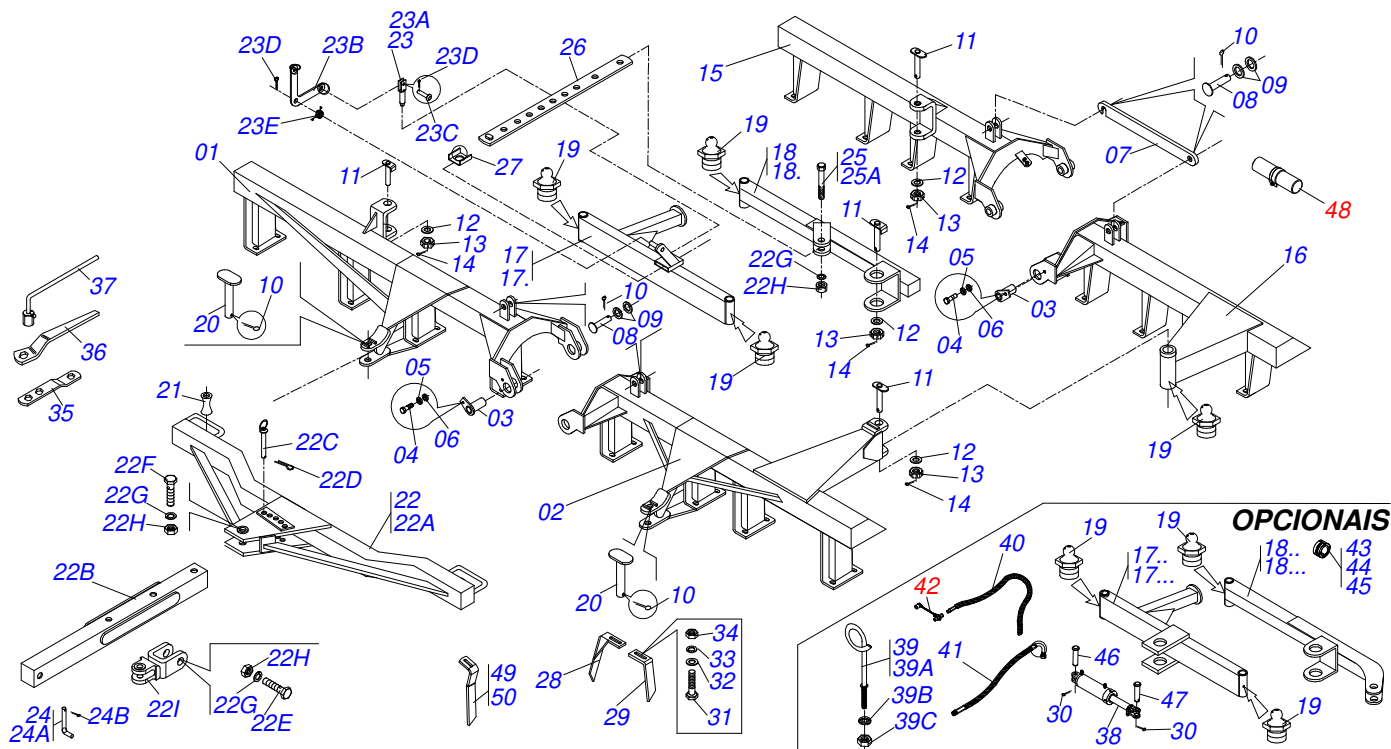


Item	Code	Description	See page	36	40	44	48
01	0511063455	36 - RIGHT FRONT FRAME		01	00	00	00
01.	0511063459	40 - RIGHT FRONT FRAME		00	01	00	00
01..	0511063463	44 - RIGHT FRONT FRAME		00	00	01	00
01...	0511063467	44 - RIGHT FRONT FRAME		00	00	00	01
02	0511063456	36 - LEFT FRONT FRAME		01	00	00	00
02.	0511063460	44 - LEFT FRONT FRAME		00	01	00	00
02..	0511063464	44 - LEFT FRAME		00	00	01	00
02...	0511063468	48 - LEFT FRONT FRAME		00	00	00	01
03	0531014377	1.1" X 16.6" COUPLING SHAFT		02	02	02	02
04	0501017779	FLAT WASHER 32 X 60 X 4,75		04	04	04	04
05	0503010523	1/4" X 2" SPLIT PIN		10	10	10	10
06	0501018941	TRANSPORT LOCK		02	02	02	02
07	0521010592	1.1" X 3.1" COUPLING SHAFT		04	04	04	04
08	0511017480	FLAT WASHER		08	08	08	08
09	0531019497	1.5" X 9.2" ARTICULATED AXIS		04	04	04	04
10	0531019540	FLAT WASHER		04	04	04	04
11	0501011301	1.1/2" UNC 6FPP 2.5/16" NUT		04	04	04	04
12	0503010010	SPLIT PIN 1/4" X 2.1/2"		04	04	04	04
13	0511063457	36 - RIGHT REAR FRAME		01	00	00	00
13.	0511063461	40 - RIGHT REAR FRAME		00	01	00	00
13..	0511063465	44 - RIGHT REAR FRAME		00	00	01	00
13...	0511063469	48 - RIGHT REAR FRAME		00	00	00	01
14	0511063458	36 - LEFT REAR FRAME		01	00	00	00
14.	0511063462	40 - LEFT REAR FRAME		00	01	00	00
14..	0511063466	44 - LEFT REAR FRAME		00	00	01	00
14...	0511063470	48 - LEFT REAR FRAME		00	00	00	01
15	0501064509	FRONT STABILIZER BAR		01	01	01	01
15.	0501064461	FRONT STAB BAR		01	01	01	01
16	0501064508	REAR STABILIZER BAR 1360		01	01	01	01
16.	0501064462	63" REAR STABILIZER BAR		01	01	01	01
17	0503010002	1800 GREASE FITTING		04	04	04	04



GNF 36 TO 60 D - TUBE
ASSY FRAME 36/40/44/48D

Item	Code	Description	See page	36	40	44	48
18	0501063242	1" X 4.5" PIN LOCK		02	02	02	02
19	0502040147	REEL		02	02	02	02
20	0501043380	DRAWBAR ASSY	3	01	01	01	00
20.	0511047373	DRAWBAR ASSY	4	00	00	00	01
21	0501040757	ADJUSTMENT LEVER ASSY		01	01	01	01
21A	0501060185	ADJUSTMENT LOCK		01	01	01	01
21B	0501060196	ADJUSTMENT LEVER		01	01	01	01
21C	0501018490	7/16" X 1.5" PIN		01	01	01	01
21D	0503010071	3/16" X 1" SPLIT PIN		02	02	02	02
21E	0503030025	1.4" X 0.2" TORSION SPRING		01	01	01	01
22	0501040852	1" X 4" ASSY BOLT		01	01	01	01
22A	0501010079	1" X 4" BOLT		01	01	01	01
23	0501040343	DRAWBOLT ASSY		01	01	01	01
23A	0501010523	DRAWBOLT		01	01	01	01
23B	0503031035	HITCH PIN CLIP		06	06	06	06
24	0501018945	45" ATTACHMENT BAR		01	01	01	01
25	0501064197	ADJUSTMENT BAR		01	01	01	01
26	0501011649	U 1.2" X 3.1" X 3/16" BAR		01	01	01	01
27	0501063963	FRONT SCRAPER		10	12	12	14
28	0501063962	REAR SCRAPER		10	12	12	14
29	0503010395	1/2" X 1-1/4" BOLT		20	24	24	28
30	0503011082	C1/2" X 1.3/4" SCREW		20	24	24	28
31	0511017302	FLAT WASHER 13,50 X 32,50 X 3,0 ZN		20	24	24	28
32	0503010019	1/2" SPRING WASHER		20	24	24	28
33	0503010060	1/2 UNC G.5 ZN HEX NUT		20	24	24	28
34	0511018451	5/8" X 3/4" X 1" UNIVERSAL		01	01	01	01
35	0501010198	1-1/4" CABLE FLAT WRENCH		01	01	01	01
36	0501068273	5/8" WRENCH		01	01	01	01
37	0521010572	0.9" X 2.9" COUPLING SHAFT		01	01	01	01
38	0521010578	COUPLING SHAFT		01	01	01	01
39	0521010595	1.1" X 4.3" COUPLING SHAFT		02	02	02	02
40	0521010579	COUPLING SHAFT		01	01	01	01
41	0501044312	1.7"X3.4"X31"X15" HYDRAULIC CYLINDER	5	01	01	01	01
42	0501040257	ASSY 3/4 X 38 HOSE SUPPORT		01	01	01	01
42A	0501060337	3/4" X 47.2" HOSE HOLDER ASSY		01	01	01	01
42B	0503010023	3/4" SPRING WASHER		01	01	01	01
42C	0503010014	3/4" HEX NUT		01	01	01	01
43	0501080363	3/8" X 177" TR-TM HOSE		02	02	02	02
43A	0501053834	MALE QUICK COUPLER		02	02	02	02
44	0501043560	0.98" ROD STOP FOR 1. 3/4" CYLINDER		02	02	02	02
45	0501043561	1.96" ROD STOP FOR 1. 3/4" CYLINDER		02	02	02	02
46	0501044345	2.4" ROD STOP FOR 1.3/4" CYLINDER		02	02	02	02
47	0521013077	1.2" X 5.7" PIVOT SHAFT		01	01	01	01
48	0521010571	COUPLING SHAFT		01	01	01	01
49	0503010523	1/4" X 2" SPLIT PIN		02	02	02	02
50	0521053415	ASSY MANUAL CANISTER	6	01	01	01	01
51	0503030085	LOCK PIN		05	05	05	05
52	0503010012	1" SPRING WASHER		03	03	03	03
53	0501010059	1.5/8 NUT		03	03	03	03



Item	Code	Description	See page	52	56	60	64	68	72
01	0511063471	52 - RIGHT FRONT FRAME		01	00	00	00	00	00
01.	0511063475	56 - RIGHT FRONT FRAME		00	01	00	00	00	00
01..	0511063479	60 - RIGHT FRONT FRAME		00	00	01	00	00	00
01...	0511063483	64 - RIGHT FRONT FRAME		00	00	00	01	00	00
01....	0511063487	68 - RIGHT FRONT FRAME		00	00	00	00	01	00
01.....	0511063491	72 - RIGHT FRONT FRAME		00	00	00	00	00	01
02	0511063472	52 - LEFT FRONT FRAME		01	00	00	00	00	00
02.	0511063476	56 - LEFT FRONT FRAME		00	01	00	00	00	00
02..	0511063480	60 - LEFT FRONT FRAME		00	00	01	00	00	00
02...	0511063484	64 - LEFT FRONT FRAME		00	00	00	01	00	00
02....	0511063488	68 - LEFT FRONT FRAME		00	00	00	00	01	00
02.....	0511063492	72 - LEFT FRONT FRAME		00	00	00	00	00	01
03	0501063751	1.5" X 5.5" PIVOT SHAFT		04	04	04	04	04	04
04	0503010962	5/8" X 1-1/4" BOLT		04	04	04	04	04	04
05	0501012140	FLAT WASHER 16,50 X 40 X 4,00 ZN		04	04	04	04	04	04
06	0503010027	5/8 SPRING WASHER		04	04	04	04	04	04
07	0501018941	TRANSPORT LOCK		02	02	02	02	02	02
08	0521010592	1.1" X 3.1" COUPLING SHAFT		04	04	04	04	04	04
09	0511017480	FLAT WASHER		08	08	08	08	08	08
10	0503010571	1/4" X 1.1/2" SPLIT PIN		06	06	06	06	06	06
11	0531019497	1.5" X 9.2" ARTICULATED AXIS		04	04	04	04	04	04
12	0531019540	FLAT WASHER		04	04	04	04	04	04
13	0501011301	1.1/2" UNC 6FPP 2.5/16" NUT		04	04	04	04	04	04
14	0503010010	SPLIT PIN 1/4" X 2.1/2"		04	04	04	04	04	04
15	0511063473	52 - RIGHT REAR FRAME		01	00	00	00	00	00
15.	0511063477	56 - RIGHT REAR FRAME		00	01	00	00	00	00
15..	0511063481	60 - RIGHT REAR FRAME		00	00	01	00	00	00
15...	0511063485	64 - RIGHT REAR FRAME		00	00	00	01	00	00
15....	0511063489	68 - RIGHT REAR FRAME		00	00	00	00	01	00
15.....	0511063493	72 - RIGHT REAR FRAME		00	00	00	00	00	01
16	0511063474	52 - LEFT REAR FRAME		01	00	00	00	00	00



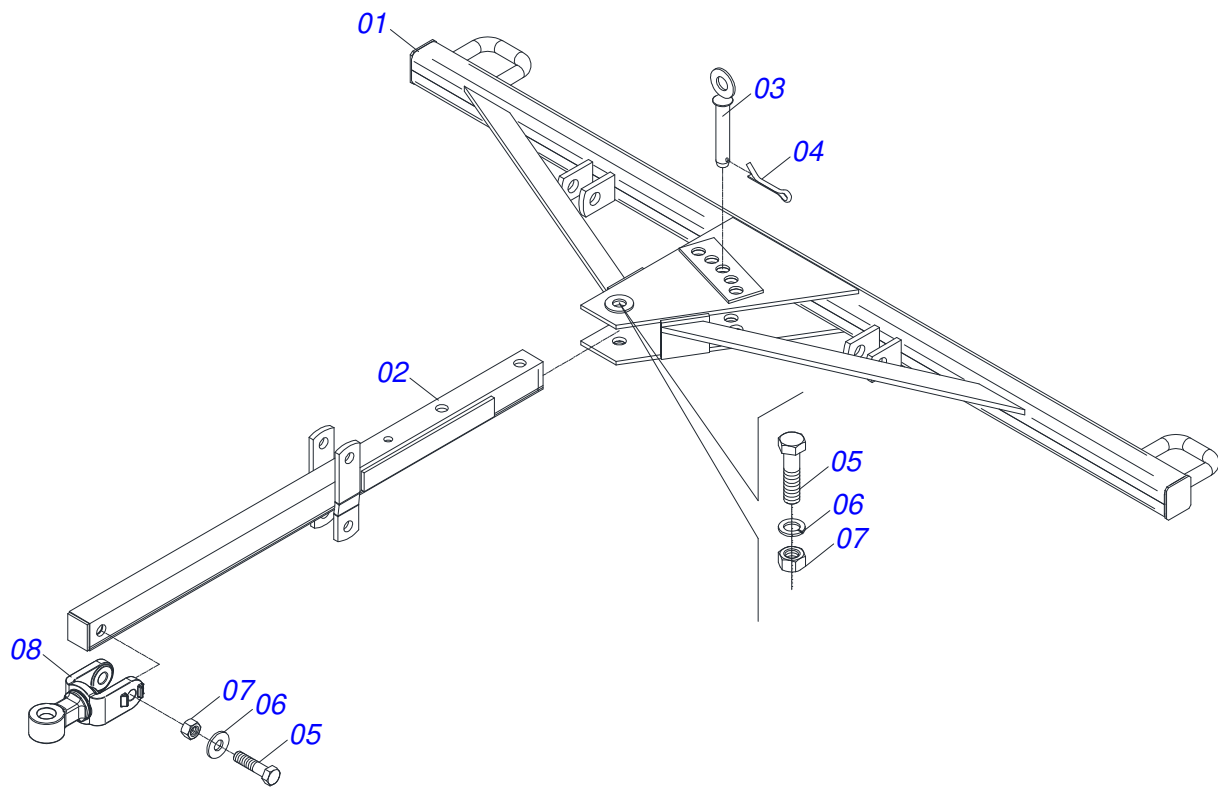
GNF 36 TO 60 D - TUBE
ASSY FRAME 52/56/60/64/68/72D

Item	Code	Description	See page	52	56	60	64	68	72
16.	0511063478	56 - LEFT REAR FRAME		00	01	00	00	00	00
16..	0511063482	60 - LEFT REAR FRAME		00	00	01	00	00	00
16...	0511063486	64 - LEFT REAR FRAME		00	00	00	01	00	00
16....	0511063490	68 - LEFT REAR FRAME		00	00	00	00	01	00
16.....	0511063494	72 - LEFT REAR FRAME		00	00	00	00	00	01
17	0501064509	FRONT STABILIZER BAR		01	00	00	00	00	00
17.	0501065956	78" FRONT STABILIZER BAR		00	01	01	01	01	01
17..	0501064461	FRONT STAB BAR		01	00	00	00	00	00
17...	0501065955	78" FRONT ESTAB BAR		00	01	01	01	01	01
18	0501064508	REAR STABILIZER BAR 1360		01	00	00	00	00	00
18.	0501065958	74.8" REAR STABILIZER BAR		00	01	01	01	01	01
18..	0501064462	63" REAR STABILIZER BAR		01	00	00	00	00	00
18...	0501065957	85.2" REAR STABILIZER BAR		00	01	01	01	01	01
19	0503010002	1800 GREASE FITTING		04	04	04	04	04	04
20	0521010628	25,40 X 105 COUPLING SHAFT		02	02	02	02	02	02
21	0502040147	REEL		02	02	02	02	02	02
22	0511042712	DRAWBAR ASSY		01	01	01	01	01	01
22A	0501064555	RIGHT REAR FRAME		01	01	01	01	01	01
22B	0501064877	DRAWBAR ASSY		01	01	01	01	01	01
22C	0501063249	1" X 5.3" PIN LOCK		01	01	01	01	01	01
22D	0503030012	HITCH PIN CLIP		01	01	01	01	01	01
22E	0501010060	1" X 6-1/2" BOLT		01	01	01	01	01	01
22F	0501010191	1" X 6" BOLT		01	01	01	01	01	01
22G	0503010012	1" SPRING WASHER		03	03	03	03	03	03
22H	0501010059	1.5/8 NUT		03	03	03	03	03	03
22I	0501060190	TRACTOR HITCH		01	01	01	01	01	01
23	0501040757	ADJUSTMENT LEVER ASSY		01	01	01	01	01	01
23A	0501060185	ADJUSTMENT LOCK		01	01	01	01	01	01
23B	0501060196	ADJUSTMENT LEVER		01	01	01	01	01	01
23C	0501018490	7/16" X 1.5" PIN		01	01	01	01	01	01
23D	0503010071	3/16" X 1" SPLIT PIN		02	02	02	02	02	02
23E	0503030025	1.4" X 0.2" TORSION SPRING		01	01	01	01	01	01
24	0501040343	DRAWBOLT ASSY		01	01	01	01	01	01
24A	0501010523	DRAWBOLT		01	01	01	01	01	01
24B	0503031035	HITCH PIN CLIP		01	01	01	01	01	01
25	0501040852	1" X 4" ASSY BOLT		01	01	01	01	01	01
25A	0501010079	1" X 4" BOLT		01	01	01	01	01	01
26	0501064197	ADJUSTMENT BAR		01	01	01	01	01	01
27	0501011649	U 1.2" X 3.1" X 3/16" BAR		01	01	01	01	01	01
28	0501063963	FRONT SCRAPER		16	20	20	20	20	22
29	0501063962	REAR SCRAPER		16	20	20	20	20	22
30	0503010523	1/4" X 2" SPLIT PIN		02	02	02	02	02	02
31	0503011082	C1/2" X 1.3/4" SCREW		32	40	40	40	40	44
32	0511017302	FLAT WASHER 13,50 X 32,50 X 3,0 ZN		32	40	40	40	40	44
33	0503010019	1/2" SPRING WASHER		32	40	40	40	40	44
34	0503010060	1/2 UNC G.5 ZN HEX NUT		32	40	40	40	40	44
35	0511018451	5/8" X 3/4" X 1" UNIVERSAL		01	01	01	01	01	01
36	0501010198	1-1/4" CABLE FLAT WRENCH		01	01	01	01	01	01
37	0501068273	5/8" WRENCH		01	01	01	01	01	01
38	0501044312	1.7"X3.4"X31"X15" HYDRAULIC CYLINDER	5	01	01	01	01	01	01
39	0501040257	ASSY 3/4 X 38 HOSE SUPPORT		01	01	01	01	01	01
39A	0501060337	3/4" X 47.2" HOSE HOLDER ASSY		01	01	01	01	01	01
39B	0503010023	3/4" SPRING WASHER		01	01	01	01	01	01
39C	0503010014	3/4" HEX NUT		01	01	01	01	01	01
40	0501080363	3/8" X 177" TR-TM HOSE		02	00	00	00	00	00
41	0501080362	3/8" X 177" TC-TM HOSE		00	02	02	02	02	02
42	0501053834	MALE QUICK COUPLER		02	02	02	02	02	02
43	0501043560	0.98" ROD STOP FOR 1. 3/4" CYLINDER		02	02	02	02	02	02
44	0501043561	1.96" ROD STOP FOR 1. 3/4" CYLINDER		02	02	02	02	02	02

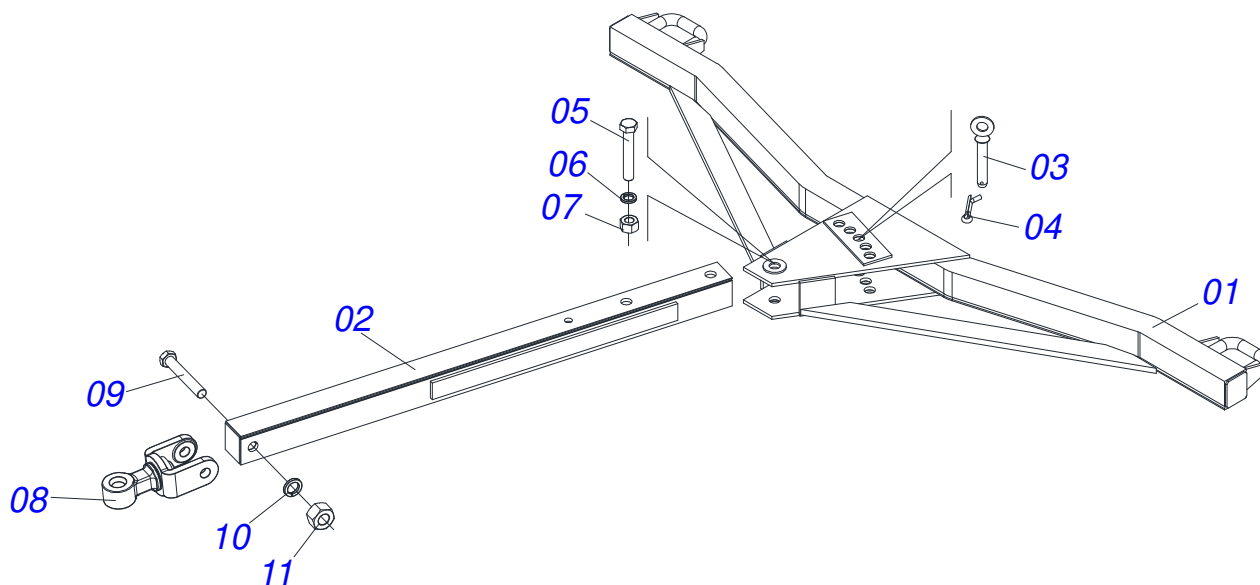


GNF 36 TO 60 D - TUBE
ASSY FRAME 52/56/60/64/68/72D

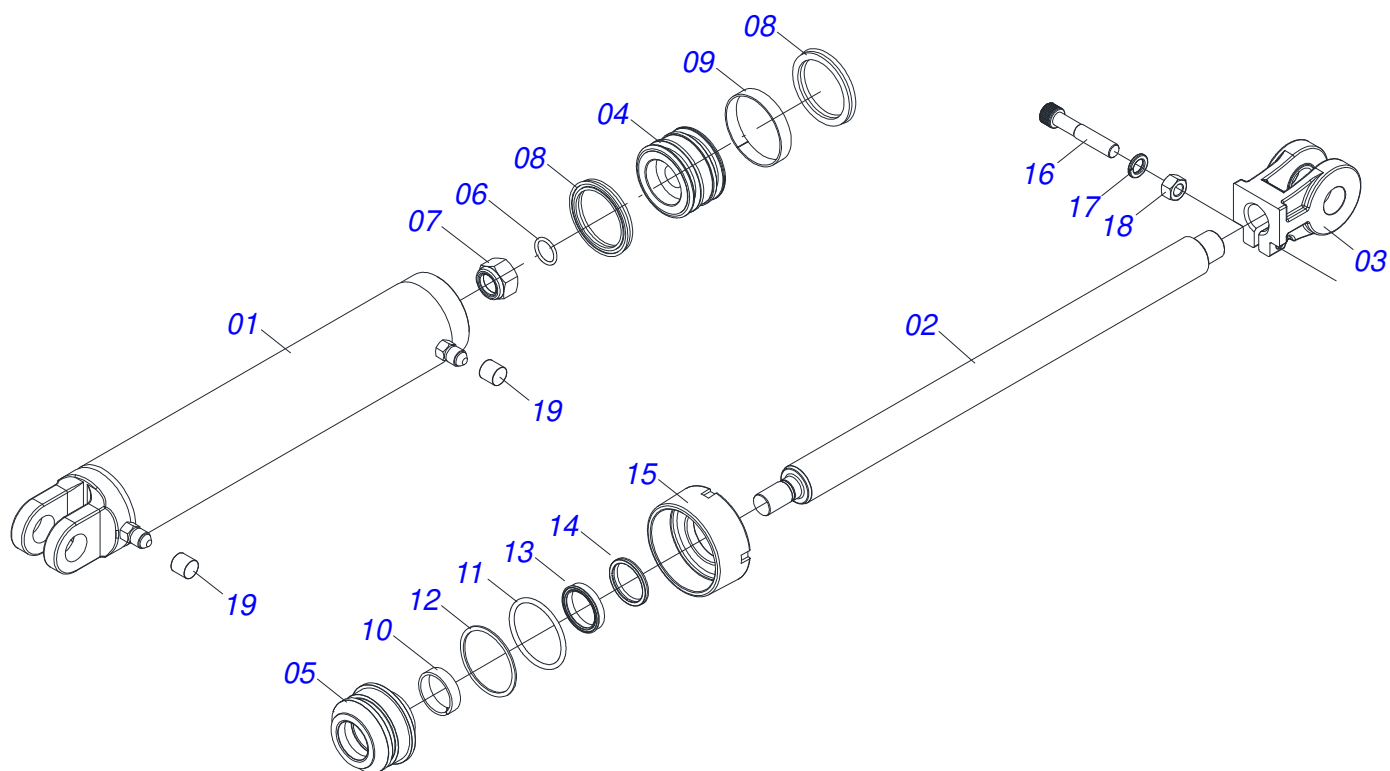
Item	Code	Description	See page	52	56	60	64	68	72
45	0501044345	2.4" ROD STOP FOR 1.3/4" CYLINDER		02	02	02	02	02	02
46	0521013077	1.2" X 5.7" PIVOT SHAFT		01	01	01	01	01	01
47	0521010571	COUPLING SHAFT		01	01	01	01	01	01
48	0521053415	ASSY MANUAL CANISTER	6	01	01	01	01	01	01
49	0591015209	FRONT SCRAPER		01	01	01	01	01	01
50	0591015208	REAR SCRAPER		01	01	01	01	01	01



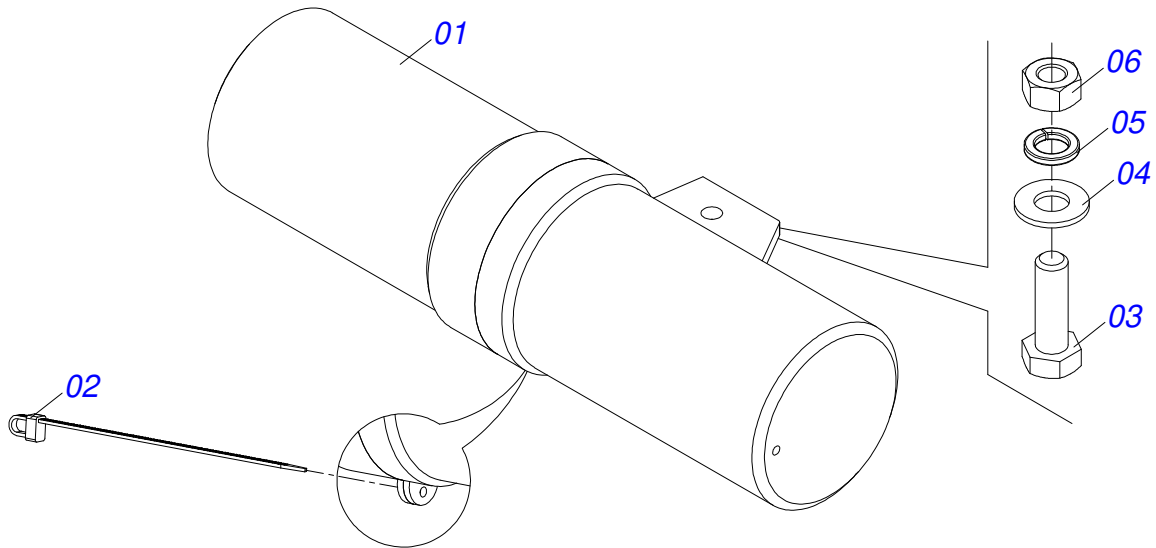
Item	Code	Description	See page	QT
01	0501064763	OFFSET BAR FOR TRANSPORT		01
02	0501064878	DRAWBAR ASSY		01
03	0501068993	0.9" X 5.5" COUPLING SHAFT		01
04	0503010523	1/4" X 2" SPLIT PIN		01
05	0501010372	1" X 5-1/2" BOLT		02
06	0503011438	SPRING WASHER		02
07	0501010059	1.5/8 NUT		02
08	0521062444	TRACTOR HITCH		01



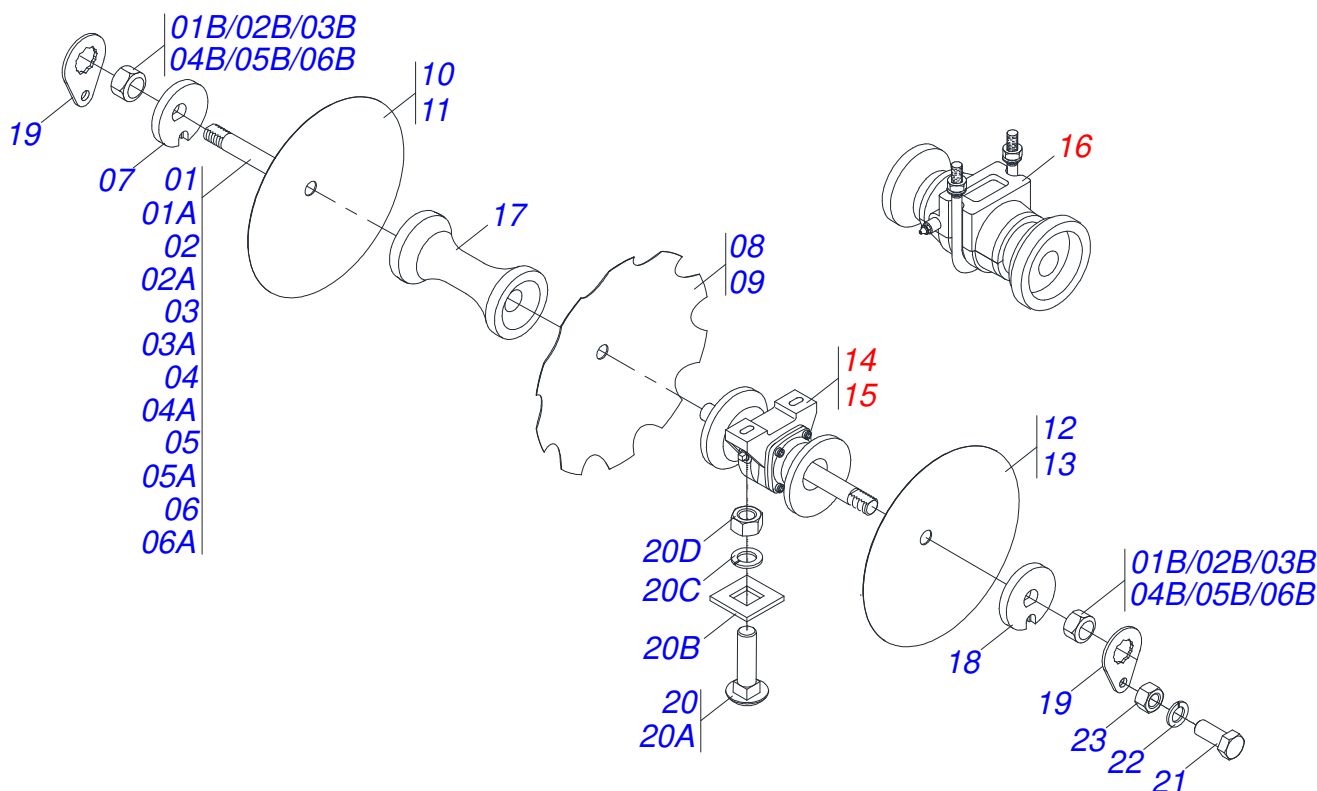
Item	Code	Description	See page	QT
001	0511069390	OFFSET BAR		01
002	0501060188	DRAWBAR ASSY		01
003	0501068993	0.9" X 5.5" COUPLING SHAFT		01
004	0503010523	1/4" X 2" SPLIT PIN		02
005	0501010191	1" X 6" BOLT		01
006	0503011438	SPRING WASHER		01
007	0501010059	1.5/8 NUT		01
008	0521061775	TRACTOR HITCH		01
009	0501010060	1" X 6-1/2" BOLT		01
010	0503011438	SPRING WASHER		01
011	0501010059	1.5/8 NUT		01



Item	Code	Description	See page	QT
001	0501069010	4" X 7.1" BODY		01
002	0511013609	1.7" X 27" TURNBUCLE		01
003	0502040747	32.54 CLEVIS CLAMP		01
004	0502010843	1.8" X 3.4" PISTON		01
005	0502010781	RING SUPPORT		01
006	0503010042	2-214 N 3006-9B O'RING		01
007	0503010063	1" SELF-ALIGNING NUT		01
008	0503010170	PACKING 3120 2750		02
009	0503010948	W4-3346-590 PK RING G.E		01
010	0503010949	W2-2000-500 PK RING G.E		01
011	0503010976	2-336 N 3006-9B O'RING		01
012	0503011060	8-336 BACK-UP RING		01
013	0503010990	GASKET		01
014	0503010761	D-1750 SCRAPER RING		01
015	0502010993	MOBILE LID		01
016	0503011094	BOLT 3/8" UNC X 2" C C S I 12.9		01
017	0503010025	3/8 SPRING WASHER		01
018	0503010026	3/8" NUT		01
019	0503030385	CYLINDER PLUG N-002		02



Item	Code	Description	See page	QT
01	0503060100	SUPPORT INSTRUCTION MANUAL		01
02	0503010267	NYLON CLAMP 3,60 X 1,3 X 155 MM		01
03	0503010363	BOLT 5/16 UNC X 1 C S G.2 ZN		01
04	0501010694	FLAT WASHER 32,50 X 75 X 4,75		01
05	0503010179	LOCK WASHER 5/16 ZN 1K01528		01
06	0503010337	NUT 5/16 UNC G.5 ZN		01



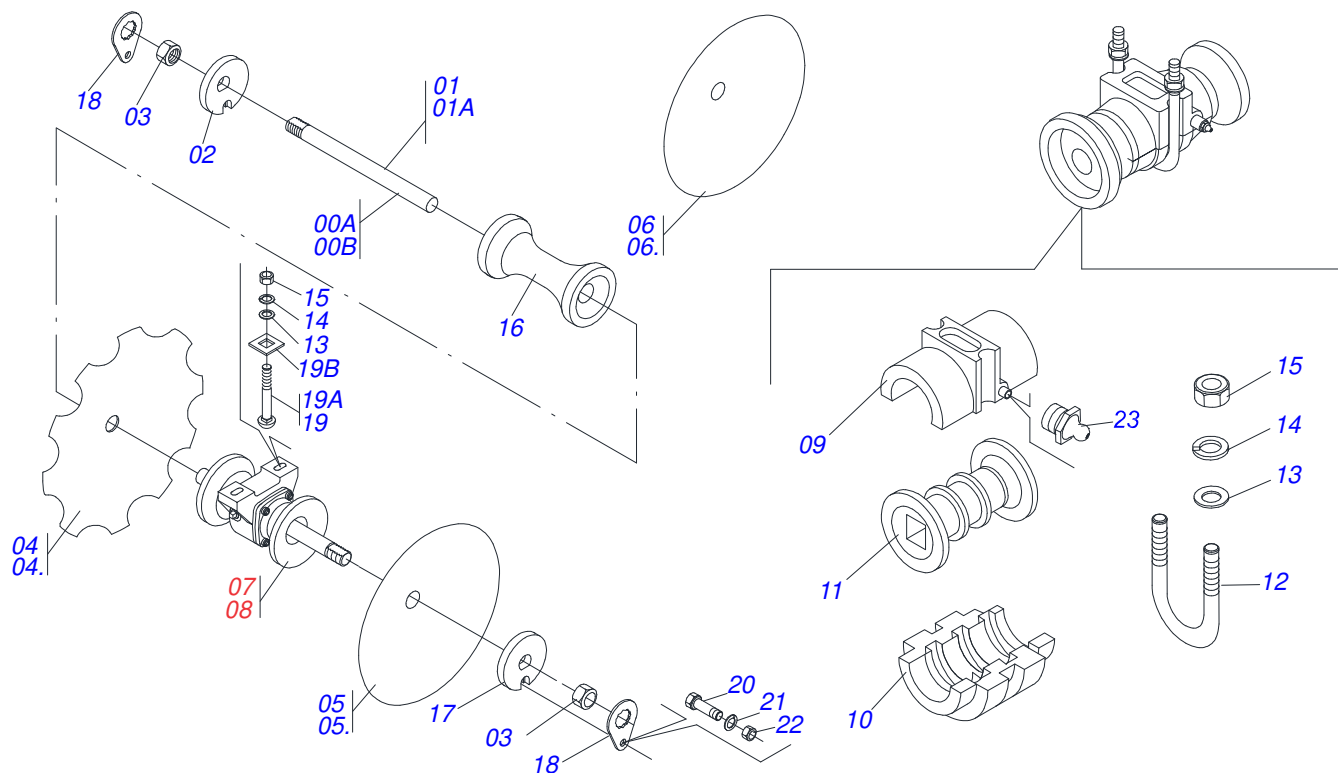
Item	Code	Description	See page	24	28	32	36	40	44	48
01	0501042965	1-1/4" X 89" AXLE WITH NUTS		02	00	00	01	00	00	04
01A	0501017354	1-1/4" X 89" AXLE		02	00	00	01	00	00	04
01B	0501010087	1.1/4" NUT		04	00	00	02	00	00	08
02	0501042202	1-1/4" X 50" AXLE WITH NUTS		00	04	00	00	00	00	00
02A	0501016650	1-1/4" X 50" AXLE		00	04	00	00	00	00	00
02B	0501010087	1.1/4" NUT		00	08	00	00	00	00	00
03	0501042942	1-1/4" X 58" AXLE WITH NUTS		00	00	04	00	00	00	00
03A	0501017379	1-1/4" X 58" AXLE		00	00	04	00	00	00	00
03B	0501010087	1.1/4" NUT		00	00	08	00	00	00	00
04	0501040694	1-1/4" X 66" AXLE WITH NUTS		00	00	00	04	00	00	00
04A	0501010439	1-1/4" X 66" AXLE		00	00	00	04	00	00	00
04B	0501010087	1.1/4" NUT		00	00	00	08	00	00	00
05	0501042947	1-1/4" X 74" AXLE WITH NUTS		00	00	00	00	04	00	00
05A	0501017377	1-1/4" X 74" AXLE		00	00	00	00	04	00	00
05B	0501010087	1.1/4" NUT		00	00	00	00	08	00	00
06	0501042948	1-1/4" X 81.6" AXLE WITH NUTS		00	00	00	00	00	04	00
06A	0501017361	1-1/4" X 81.6" AXLE		00	00	00	00	00	04	00
06B	0501010087	1.1/4" NUT		00	00	00	00	00	08	00
07	0502010835	1-1/4" EXTERNAL AXLE WASHER		02	04	04	04	04	04	04
08	0602025259	DR 18 X 3 C45AF02FR1.5/16 9R		00	14	16	18	00	00	00
09	0602027340	DR 20 X 3,5 C57AF02FR1.5/16 10R		12	00	00	00	20	22	24
10	0601025115	DL18X3 C44AF02FR33,33 EZZE-ON		00	12	14	16	00	00	00
11	0601025251	DL 18 X 3,5 C45AF02FR1.5/16		02	00	00	00	02	02	02
12	0601027301	DL 20 X 3,5 C57AF02FR1.5/16		10	00	00	00	18	20	22
13	0601023131	DL16X3 C35AF02FR1.5/16 TATU		00	02	02	00	00	00	00
14	0501046922	AGRICULTURAL BEARING DM OL 7 X 1.1/4 12 IMPLEMENT		06	08	08	08	12	12	12
15	0501046913	GX 7" 1-1/4" BEARING ASSY	10	06	08	08	08	12	12	12
16	0501040131	FRICTION BEARING ASSY		06	08	08	08	12	12	12
17	0502010549	7.6" X 1-1/4" SPACER		16	16	20	20	24	12	12
18	0502010834	1-1/4" INNER AXLE WASHER		02	04	04	04	04	04	04
19	0501010455	1.1/4" NUT LOCK		04	08	08	08	08	08	08



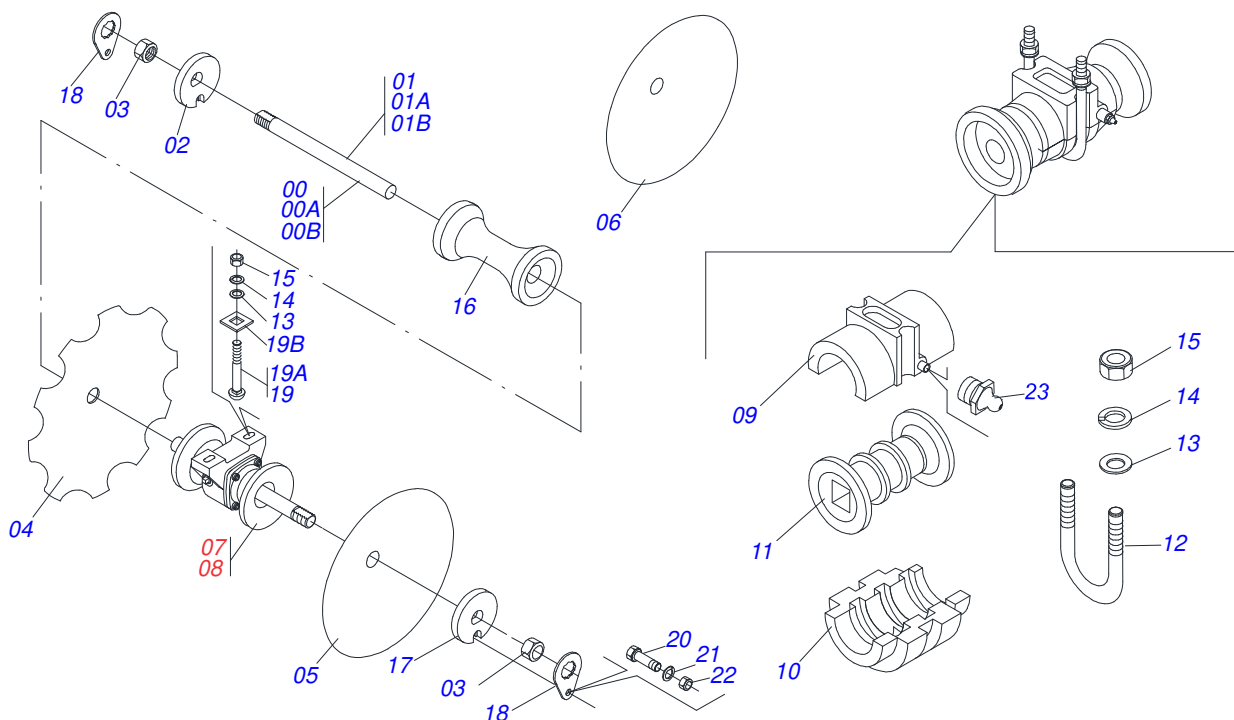
GANG DISC ASSY 24/28/32/36/40/44/48D (AXLE 1.1/4")

0909090344

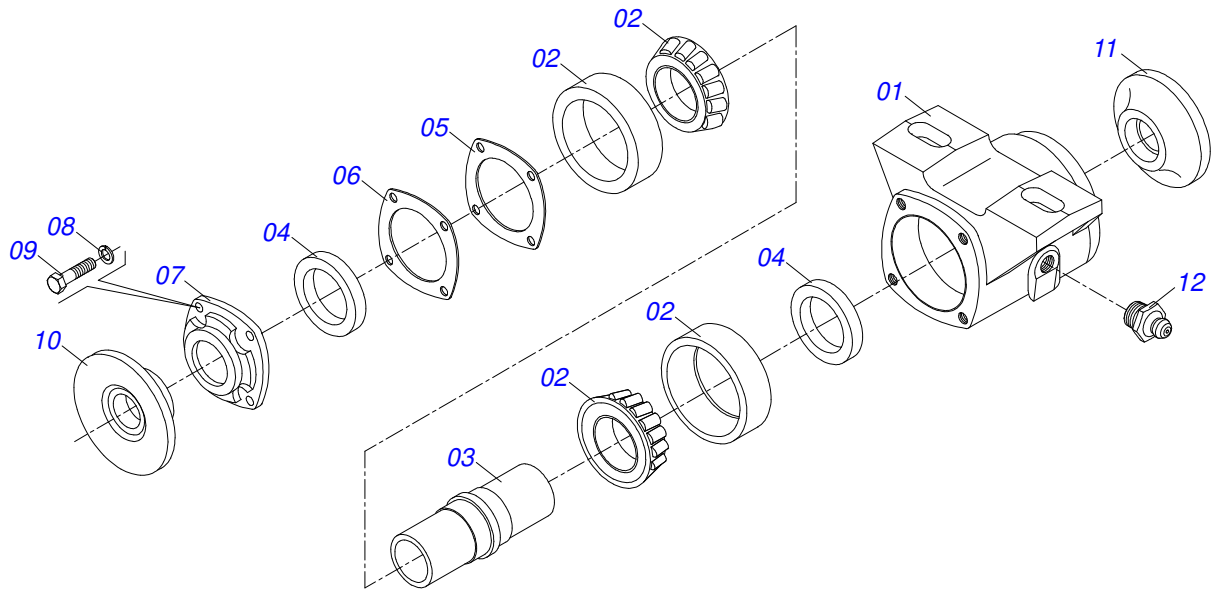
Item	Code	Description	See page	24	28	32	36	40	44	48
20	0501058802	5/8 UNC X 2.3/4 BOLT ASSY		04	08	08	08	08	08	08
20A	0503015154	5/8" X 2.3/4" BOLT		04	08	08	08	08	08	08
20B	0501010947	5/8 NUT LOCK		04	08	08	08	08	08	08
20C	0501012140	FLAT WASHER 16,50 X 40 X 4,00 ZN		04	08	08	08	08	08	08
20D	0503010013	NUT 5/8" UNC G.5 ZN		04	08	08	08	08	08	08
21	0503010395	1/2" X 1-1/4" BOLT		04	08	08	08	08	08	08
22	0503010019	1/2" SPRING WASHER		04	08	08	08	08	08	08
23	0503010060	1/2 UNC G.5 ZN HEX NUT		04	08	08	08	08	08	08



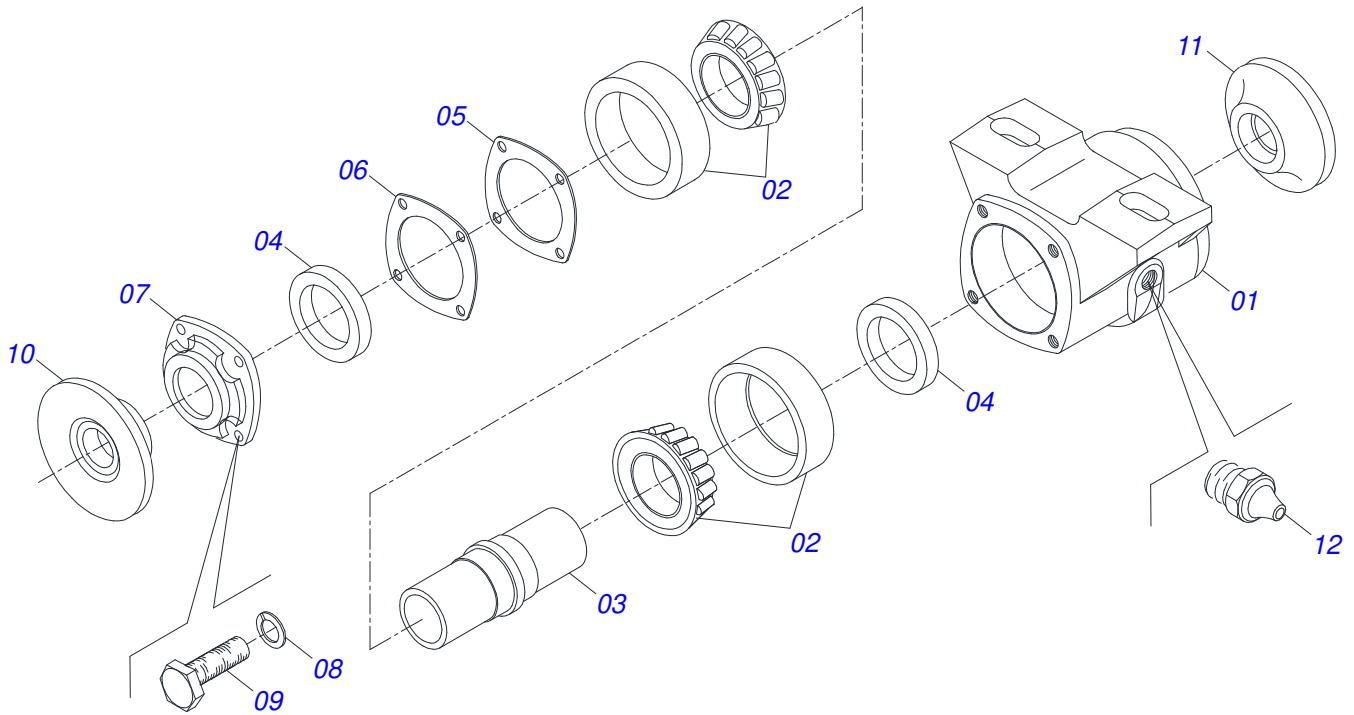
Item	Code	Description	See page	52	56	60	64	68	72
00A	0501043697	1.1/2 6FPP X 1505 AXLE WITH NUTS		00	00	00	08	04	00
00B	0501046884	1.1/2 X 1705 AXLE W/NUT		00	00	00	00	04	08
01	0511012601	1.1/2 6FPP X 1505 AXLE		00	00	00	04	04	00
01A	0501018720	1.1/2 X 1705 AXLE		00	00	00	00	04	04
02	0502010871	EXTERNAL AXLE WASHER 1.1/2"		04	04	04	04	04	04
03	0501010110	NUT 1.1/2 NC 6FPP HEXAGONAL 2.3/8" ZN		08	08	08	08	08	08
04	0602029416	DR 22 X 4,5 C64AF02FR1.9/16 10R		00	00	00	32	36	36
04.	0602029422	DR 22 X 3,5 C64AF02FR1.9/16 10R		00	00	00	00	34	00
05	0601029413	DL 22 X 4,5 C64AF02FR1.9/16		00	00	00	30	00	34
05.	0601029419	DL 22 X 3,5 C64AF02FR1.9/16		00	00	00	00	32	00
06	0601027299	DL 20 X 4,5 C57AF02FR1.9/16		00	00	00	02	00	02
06.	0601027302	DL 20 X 3,5 C57AF02FR1.9/16		00	00	00	00	02	00
07	0501047055	BEARING		00	00	00	16	16	00
08	0501047045	BEARING		00	00	00	00	00	16
09	0501050169	UPPER COVER HOUSING		08	08	08	10	12	12
10	0502030006	LOWER COVER HOUSING		08	08	08	10	12	12
11	0502030005	REEL		08	08	08	10	12	12
12	0521012326	5/8 UNC X 138 X 117 FASTENER		08	08	08	10	12	12
13	0501012140	FLAT WASHER 16,50 X 40 X 4,00 ZN		16	16	16	20	24	24
14	0503010027	5/8 SPRING WASHER		16	16	16	20	24	24
15	0503010013	NUT 5/8" UNC G.5 ZN		16	16	16	20	24	24
16	0502010549	7.6" X 1-1/4" SPACER		28	36	36	36	32	36
17	0502010872	1-1/2" INNER AXLE WASHER		04	04	04	04	04	04
18	0501018592	LOCK NUT 1.5/8" HEX. 60,0/60,2		08	08	08	08	08	08
19	0501058802	5/8 UNC X 2.3/4 BOLT ASSY		08	08	08	08	08	08
19A	0503015154	5/8" X 2.3/4" BOLT		08	08	08	08	08	08
19B	0501010947	5/8 NUT LOCK		08	08	08	08	08	08
20	0503010395	1/2" X 1-1/4" BOLT		08	08	08	08	08	08
21	0503010019	1/2" SPRING WASHER		08	08	08	08	08	08
22	0503010060	1/2 UNC G.5 ZN HEX NUT		08	08	08	08	08	08
23	0503010002	1800 GREASE FITTING		08	08	08	08	08	08



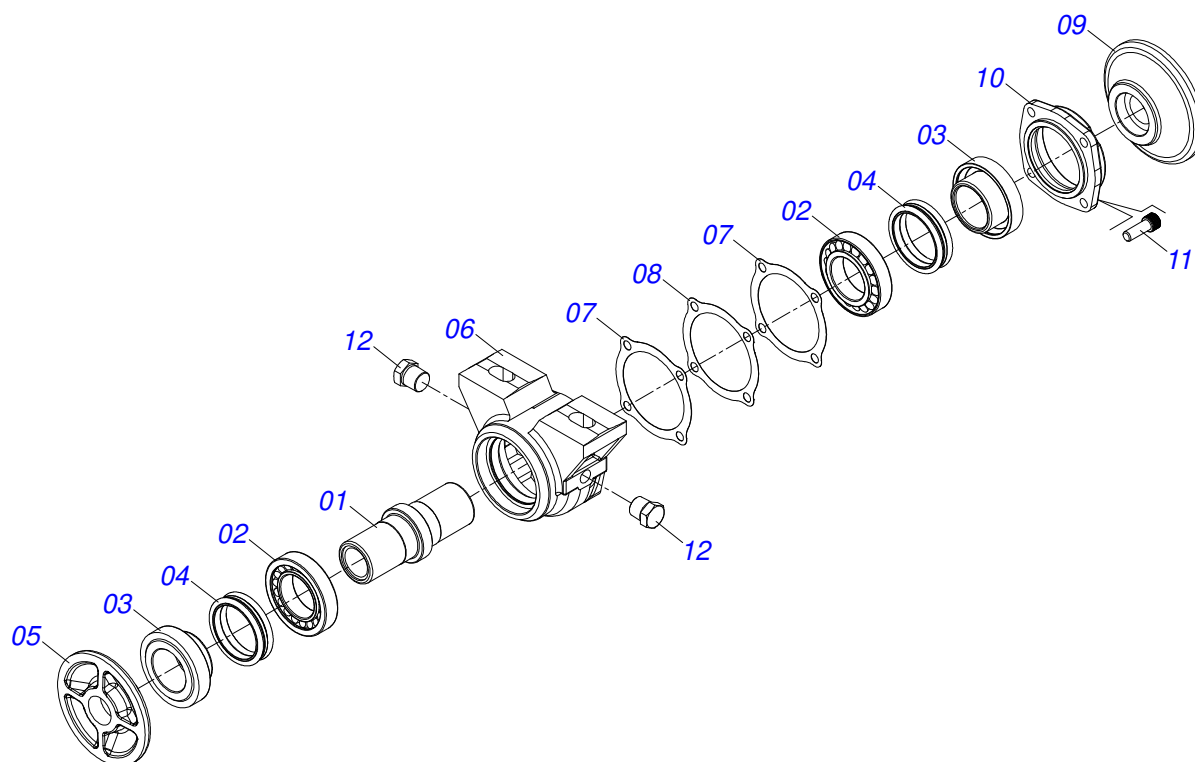
Item	Code	Description	See page	52	56	60	64	68	72
00A	0501042202	1-1/4" X 50" AXLE WITH NUTS		04	08	04	00	00	00
00B	0501042942	1-1/4" X 58" AXLE WITH NUTS		00	00	04	00	00	00
01	0501016649	1.1/4" X 1090 AXLE		04	00	00	00	00	00
01A	0501016650	1-1/4" X 50" AXLE		04	04	04	00	00	00
01B	0501017379	1-1/4" X 58" AXLE		00	00	04	00	00	00
02	0502010835	1-1/4" EXTERNAL AXLE WASHER		04	04	04	04	04	04
03	0501010087	1.1/4" NUT		08	08	08	08	08	08
04	0602029420	DR 22 X 3,5 C64AF02FR1.5/16 D126 10R		26	28	30	00	00	00
05	0601029418	DL 22 X 3,5 C64AF02FR1.5/16 D126		24	26	28	00	00	00
06	0601027301	DL 20 X 3,5 C57AF02FR1.5/16		02	02	02	00	00	00
07	0501046922	AGRICULTURAL BEARING DM OL 7 X 1.1/4 12 IMPLEMENT		16	16	16	00	00	00
07.	0501046913	GX 7" 1-1/4" BEARING ASSY	10	16	16	00	00	00	00
09	0501050169	UPPER COVER HOUSING		08	08	08	10	12	12
10	0502030006	LOWER COVER HOUSING		08	08	08	10	12	12
11	0502030005	REEL		08	08	08	10	12	12
12	0521012326	5/8 UNC X 138 X 117 FASTENER		08	08	08	10	12	12
13	0501012140	FLAT WASHER 16,50 X 40 X 4,00 ZN		16	16	16	20	24	24
14	0503010027	5/8 SPRING WASHER		16	16	16	20	24	24
15	0503010013	NUT 5/8" UNC G.5 ZN		16	16	16	20	24	24
16	0502010549	7.6" X 1-1/4" SPACER		28	36	36	36	32	36
17	0502010834	1-1/4" INNER AXLE WASHER		04	04	04	04	04	04
18	0501010455	1.1/4" NUT LOCK		08	08	08	08	08	08
19	0501058802	5/8 UNC X 2.3/4 BOLT ASSY		08	08	08	08	08	08
19A	0503015154	5/8" X 2.3/4" BOLT		08	08	08	08	08	08
19B	0501010947	5/8 NUT LOCK		08	08	08	08	08	08
20	0503010395	1/2" X 1-1/4" BOLT		08	08	08	08	08	08
21	0503010019	1/2" SPRING WASHER		08	08	08	08	08	08
22	0503010060	1/2 UNC G.5 ZN HEX NUT		08	08	08	08	08	08
23	0503010002	1800 GREASE FITTING		08	08	08	08	08	08



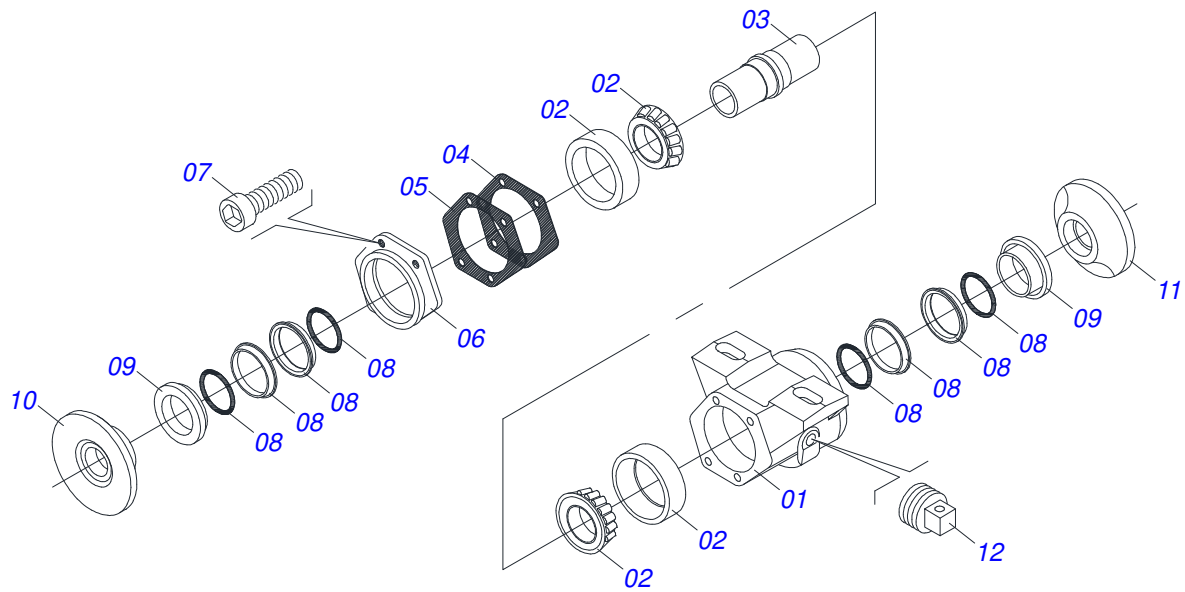
Item	Code	Description	See page	QT
01	0502020313	HOUSING CM		01
02	0503010111	30210 ROLLER BEARING		02
03	0502040218	AXLE		01
04	0503010468	SEAL 01199-GB		02
05	0503030013	4.4" X 3.5" X 0.004" JOINT		02
06	0503030684	4.4" X 3.5" X 0.004" JOINT		01
07	0502020273	HOUSING CAP CM		01
08	0503011443	SPRING WASHER 3/8"		04
09	0503810237	3/8 UNC X 1 C S G.5 SA BOLT		04
10	0502010070	OUTER FLANGE		01
11	0502010071	INNER FLANGE		01
12	0503010002	1800 GREASE FITTING		01



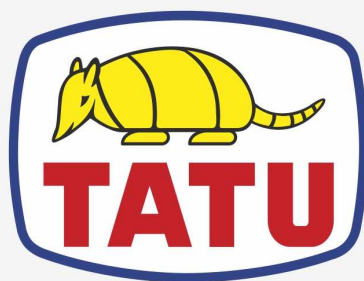
Item	Code	Description	See page	QT
00	0501043191	CM GX 7" 1-1/4 BEARING ASSY	11	01
01	0502020489	HOUSING CM		01
02	0503010111	30210 ROLLER BEARING		02
03	0502040218	AXLE		01
04	0503010468	SEAL 01199-GB		02
05	0503030013	4.4" X 3.5" X 0.004" JOINT		02
06	0503030684	4.4" X 3.5" X 0.004" JOINT		01
07	0502020273	HOUSING CAP CM		01
08	0503011443	SPRING WASHER 3/8"		04
09	0503011087	3/8" X 1" BOLT		04
10	0502010070	OUTER FLANGE		01
11	0502010071	INNER FLANGE		01
12	0503010002	1800 GREASE FITTING		01



Item	Code	Description	See page	QT
01	0502040218	AXLE		01
02	0503010111	30210 ROLLER BEARING		02
03	0502010541	SEAL RETAINER		02
04	0503030026	SEAL LP JB-253		02
05	0502010071	INNER FLANGE		01
06	0502010540	HOUSING DM		01
07	0503030013	4.4" X 3.5" X 0.004" JOINT		02
08	0503030684	4.4" X 3.5" X 0.004" JOINT		01
09	0502010070	OUTER FLANGE		01
10	0502020424	HOUSING CAP 182/192,225		01
11	0503010134	3/8" X 1" BOLT		04
12	0503010856	OIL PLUG R 3/8 BSPT		02
13	3402301247	MINERAL OIL SAE 140		0,11Lts



Item	Code	Description	See page	QT
01	0502010539	HOUSING DM		01
02	0503010111	30210 ROLLER BEARING		02
03	0502040218	AXLE		01
04	0503030013	4.4" X 3.5" X 0.004" JOINT		02
05	0503030684	4.4" X 3.5" X 0.004" JOINT		01
06	0502020424	HOUSING CAP 182/192,225		01
07	0503010134	3/8" X 1" BOLT		04
08	0503030026	SEAL LP JB-253		02
09	0502010541	SEAL RETAINER		02
10	0502010070	OUTER FLANGE		01
11	0502010071	INNER FLANGE		01
12	0503010856	OIL PLUG R 3/8 BSPT		01



MARCHESAN

Technical Publications | Elaboration and Revision

LUIZ CANDIDO

www.marchesan.com.br

