

**HINGE TYPE OFFSET DISK HARROW**

**GNM 36/40/52D**

**Code:** 0501091197  
**Series:** S-0590  
**Revision:** 00  
**Date Revision:** FEVEREIRO/2023

# PARTS CATALOGUE



**MARCHESAN**



# PRODUCTS

Code	Description	
0102120130	GNM 36 X 20 X 3,50 CM	S-0590
0102120132	GNM 36 X 20 X 3,50 DM	S-0590
0102120128	GNM 36 X 20 X 3,50 MA	S-0590
0102120131	GNM 36 X 22 X 3,50 CM	S-0590
0102120133	GNM 36 X 22 X 3,50 DM	S-0590
0102120230	GNM 36 X 22 X 3,50 DM DR	S-0590
0102120129	GNM 36 X 22 X 3,50 MA	S-0590
0102120229	GNM 36 X 22 X 4,50 DM	S-0590
0102120136	GNM 40 X 20 X 3,50 CM	S-0590
0102120138	GNM 40 X 20 X 3,50 DM	S-0590
0102120134	GNM 40 X 20 X 3,50 MA	S-0590
0102120137	GNM 40 X 22 X 3,50 CM	S-0590
0102120139	GNM 40 X 22 X 3,50 DM	S-0590
0102120135	GNM 40 X 22 X 3,50 MA	S-0590
0102120154	GNM 52 X 20 X 3,50 CM	S-0590
0102120156	GNM 52 X 20 X 3,50 DM	S-0590
0102120152	GNM 52 X 20 X 3,50 MA	S-0590
0102120155	GNM 52 X 22 X 3,50 CM	S-0590
0102120157	GNM 52 X 22 X 3,50 DM	S-0590
0102120153	GNM 52 X 22 X 3,50 MA	S-0590
0102120278	GNM 52 X 22 X 4,50 CM	S-0590
0102120214	GNM 52 X 22 X 4,50 DM	S-0590

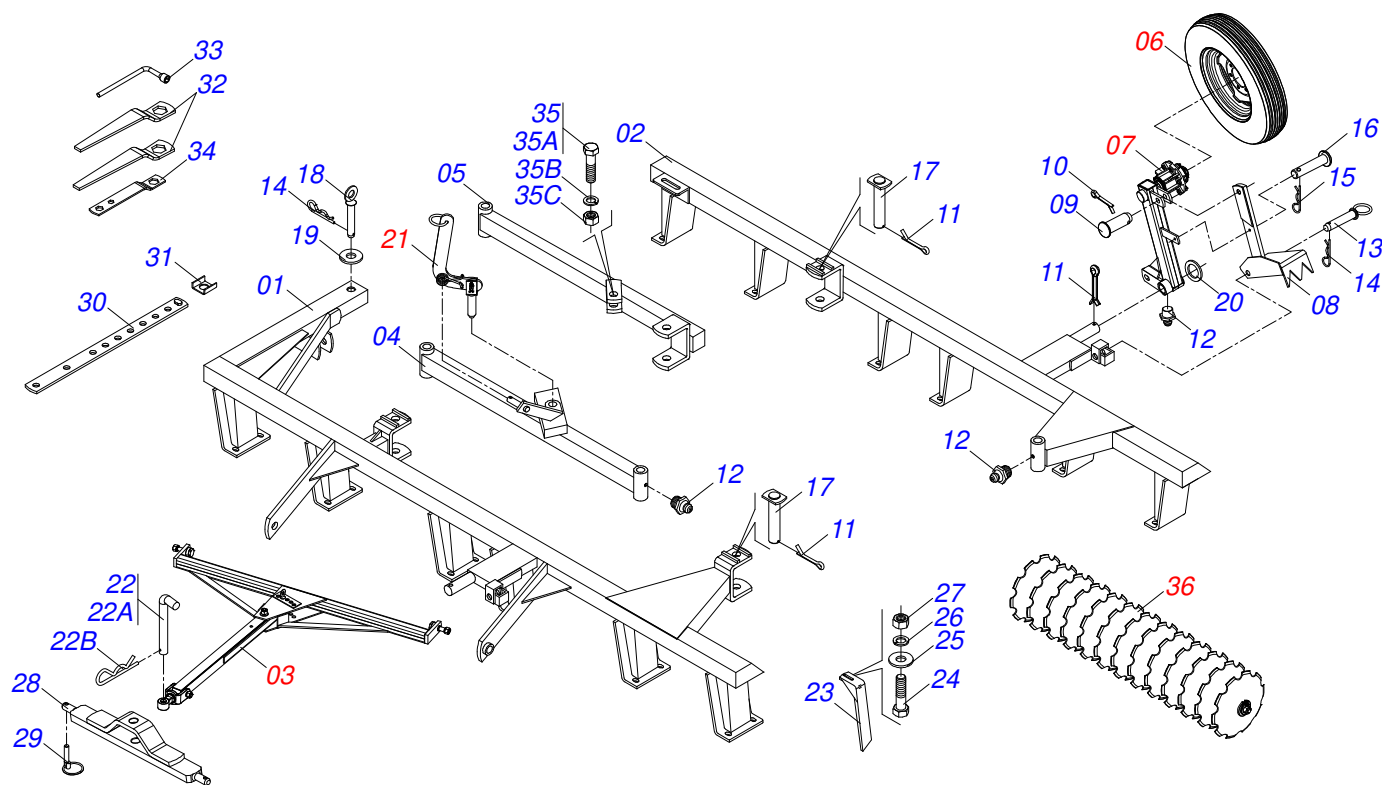
## ATTENTION: IMPORTANT

Marchesan S.A. reserves the right to improve and/or modify the technical features of its products, without obligation to do the same with those products already sold and without prior knowledge of the dealer or the customer. The photos are only illustrative.



# INDEX

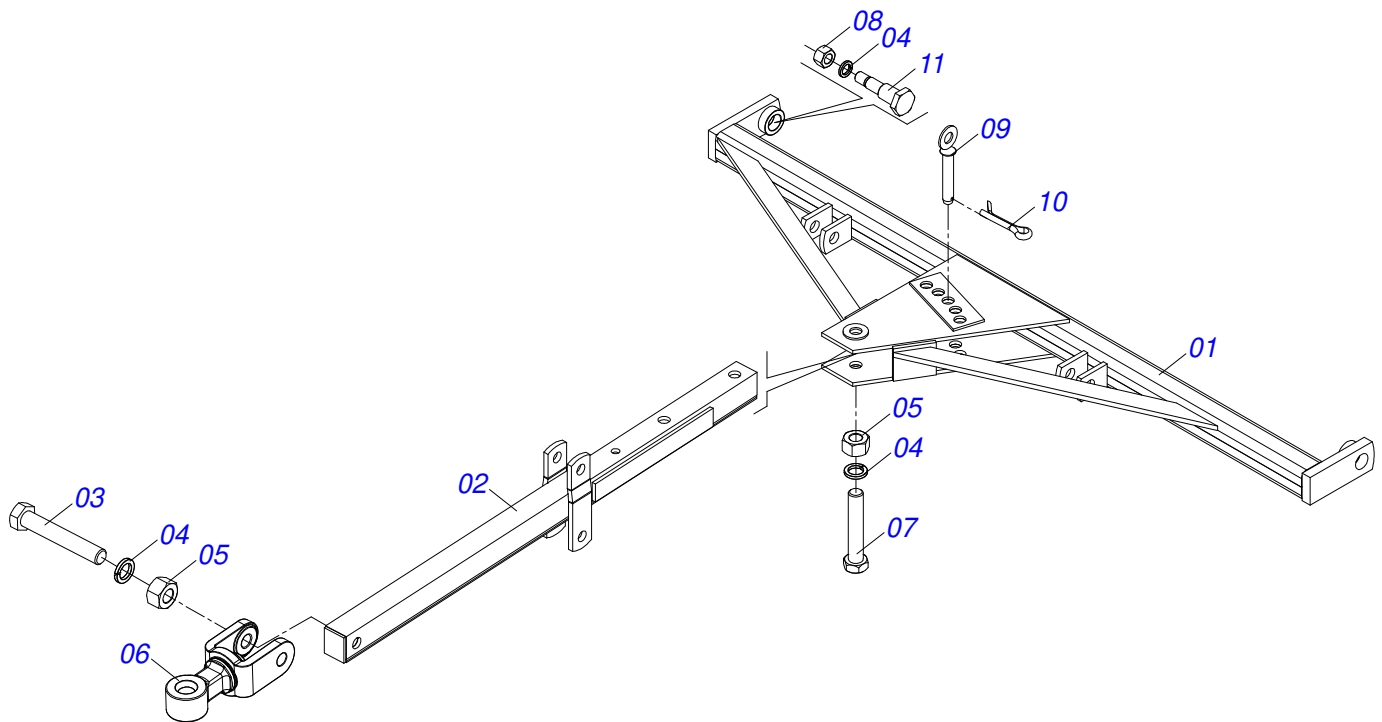
0909090201	GNM 36/40/52 D	.....	1
0501043081	DRAWBAR ASSY	.....	2
0501043082	DRAWBAR ASSY	.....	3
0503060094	WHEEL AND TIRE ASSY	.....	4
0501051638	LEFT STUB SHAFT & HUB ASSY	.....	5
0501051637	RIGHT STUB SHAFT & HUB ASSY	.....	6
0501051142	CARRYING WHEEL HUB	.....	7
0501047858	ADJUSTMENT LEVER ASSY	.....	8
0909094033	36/40/52D DISC SECTION	.....	9
0501046913	GX 7" 1-1/4" BEARING ASSY	.....	10
0501046922	AGRICULTURAL BEARING DM OL 192.5 X 1.1/4 IMPLEMENT	.....	11
0501040131	FRICTION BEARING ASSY	.....	12



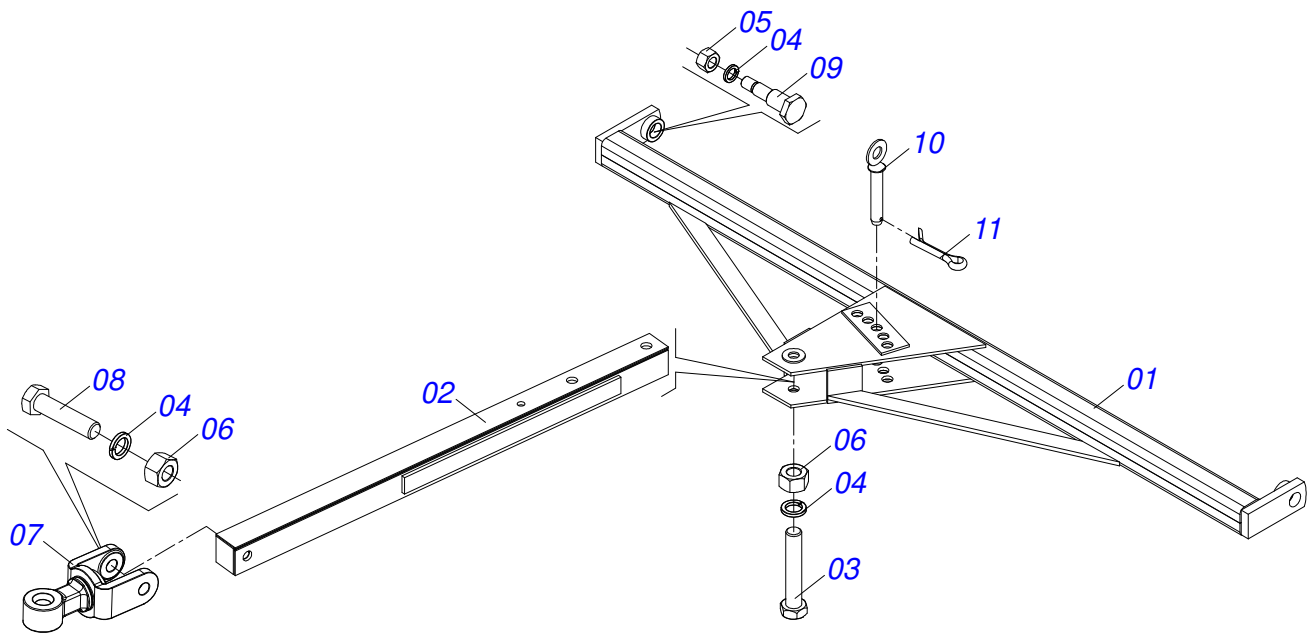
Item	Code	Description	See page	36	40	52
01	0501064671	133.8" FRONT FRAME		01	00	00
01.	0501064672	149.5" FRONT FRAME		00	01	00
01..	0501064678	FRONT FRAME 52		00	00	01
02	0501064623	133" REAR FRAME		01	00	00
02.	0501064617	150" REAR FRAME		00	01	00
02..	0501064610	REAR FRAME 52		00	00	01
03	0501043081	DRAWBAR ASSY	2	01	01	00
03.	0501043082	DRAWBAR ASSY	3	00	00	01
04	0501064509	FRONT STABILIZER BAR		01	01	01
05	0501064508	REAR STABILIZER BAR 1360		01	01	01
06	0503060094	WHEEL AND TIRE ASSY	4	02	02	02
07	0501051638	LEFT STUB SHAFT & HUB ASSY	5	01	01	01
07.	0501051637	RIGHT STUB SHAFT & HUB ASSY	6	01	01	01
08	0501060598	DRAWBAR JACK		01	01	01
08.	0501060597	RIGHT DRAWBAR JACK		01	01	01
09	0521810592	COUPLING SHAFT		02	02	02
10	0503010571	1/4" X 1.1/2 COTTERPIN		02	02	02
11	0503010534	3/8 X 2-1/2 COTTERPIN		04	04	04
12	0503010002	1800 GREASE FITTING		03	03	03
13	0521066143	JUNCTION SHAFT		02	02	02
14	0503030012	HITCH PIN CLIP		02	02	02
15	0503030168	HITCH PIN CLIP		02	02	02
16	0521810625	JUNCTION SHAFT		02	02	02
17	0521010644	1.5" X 8.4" COUPLING SHAFT		02	02	02
18	0501068993	0.9" X 5.5" COUPLING SHAFT		01	01	01
19	0511817480	FLAT WASHER		01	01	01
20	0501815875	FLAT WASHER		02	02	02
21	0501047858	ADJUSTMENT LEVER ASSY	8	01	01	01
22	0501040343	DRAWBOLT ASSY		01	01	01
22A	0521010453	AXI SHAFT		01	01	01
22B	0503031035	HITCH PIN CLIP		01	01	01



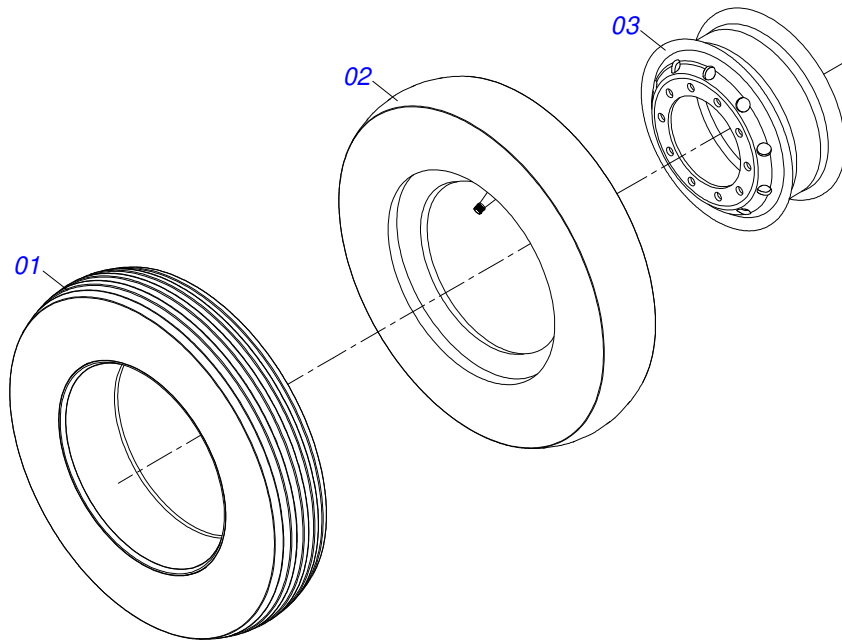
Item	Code	Description	See page	36	40	52
23	0501063963	FRONT SCRAPER		11	13	17
23.	0501063962	REAR SCRAPER		11	13	17
24	0503011082	C1/2" X 1.3/4" SCREW		44	52	68
25	0511017302	FLAT WASHER 13,50 X 32,50 X 3,0 ZN		44	52	68
26	0503010019	1/2" SPRING WASHER		52	60	84
27	0503010060	1/2 UNC G.5 ZN HEX NUT		52	60	84
28	0521062443	BAR FOR TRANSPORT		01	01	01
29	0503030430	7/16 X 2" PIN LOCK		02	02	02
30	0501064197	ADJUSTMENT BAR		01	01	01
31	0501011649	U 1.2" X 3.1"X 3/16" BAR		01	01	01
32	0501010198	1-1/4" CABLE FLAT WRENCH		02	02	02
33	0501068273	5/8" WRENCH		01	01	01
34	0511018451	5/8" X 3/4" X 1" UNIVERSAL		01	01	01
35	0501040852	1" X 4" ASSY BOLT		01	01	01
35A	0503011432	BOLT		01	01	01
35B	0503011438	SPRING WASHER		01	01	01
35C	0501010059	1.5/8 NUT		01	01	01
36	0909094033	36/40/52D DISC SECTION	9	01	01	01



Item	Code	Description	See page	QT
01	0501064919	OFFSET BAR FOR TRANSP HYDRAULIC		01
02	0501064878	DRAWBAR ASSY		01
03	0501010372	1" X 5-1/2" BOLT		01
04	0503011438	SPRING WASHER		04
05	0501010059	1.5/8 NUT		02
06	0521062444	TRACTOR HITCH		01
07	0501010191	1" X 6" BOLT		01
08	0503010340	1" NUT		02
09	0501068993	0.9" X 5.5" COUPLING SHAFT		01
10	0503010571	1/4" X 1.1/2 COTTERPIN		01
11	0501018191	BARRANG BOLT		02

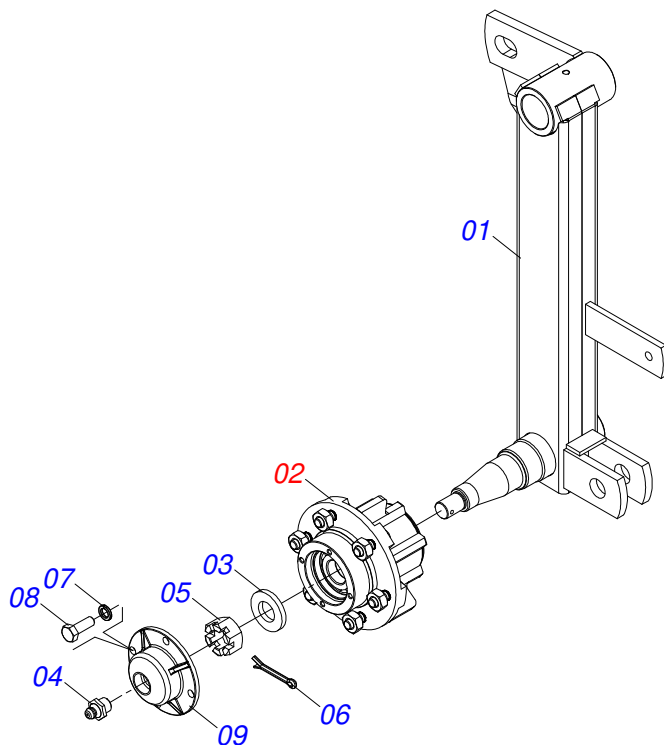


Item	Code	Description	See page	QT
01	0501064920	89.4" OFFSET BAR		01
02	0501060188	DRAWBAR ASSY		01
03	0501010191	1" X 6" BOLT		01
04	0503010012	1" SPRING WASHER		04
05	0503010340	1" NUT		02
06	0501010059	1.5/8 NUT		02
07	0521061775	TRACTOR HITCH		01
08	0501010060	1" X 6-1/2" BOLT		01
09	0501018191	BARRANG BOLT		02
10	0501068993	0.9" X 5.5" COUPLING SHAFT		01
11	0503010523	1/4" X 2" COTTERPIN		01

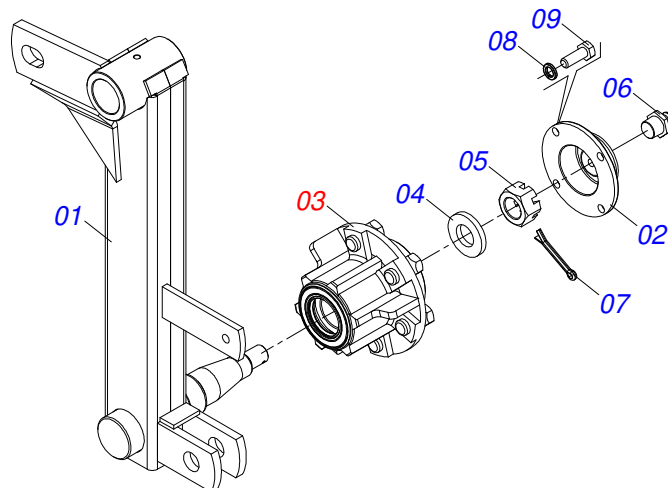


Item	Code	Description	See page	QT
01	0503010065	CANVAS TIRE		01
02	0503010068	6.00 X 16 INNER TIRE		01
03	0503010894	0.2"X0.6"X4.6"X6F0.6"X6" WHEEL		01

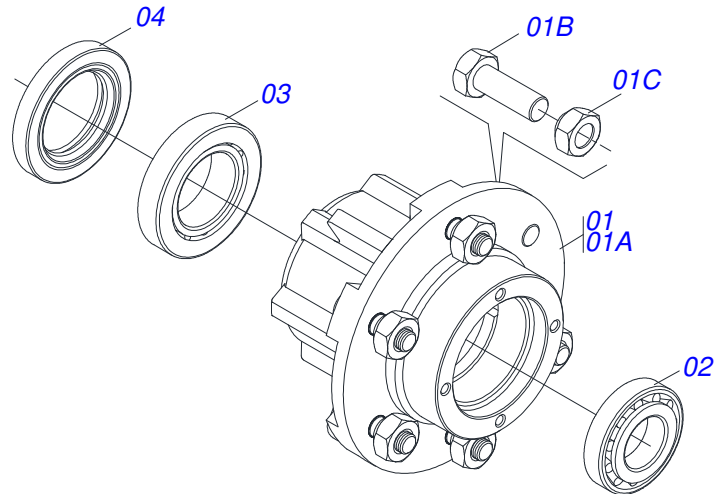




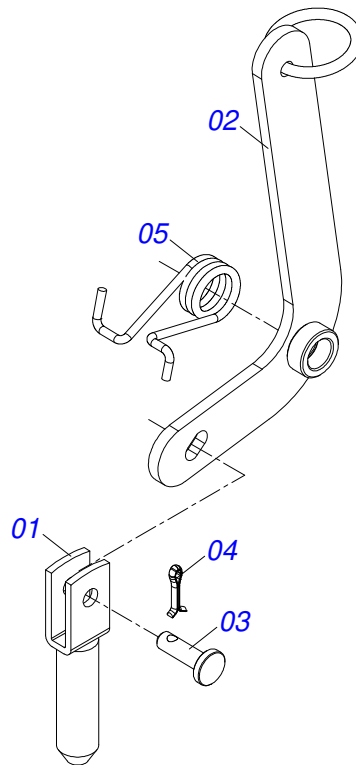
Item	Code	Description	See page	QT
01	0501069091	LEFT CARRYING-W FIXATION SUPPORT		01
02	0501051142	CARRYING WHEEL HUB	7	01
03	0501016545	FLAT WASHER		01
04	0503010002	1800 GREASE FITTING		01
05	0503030009	1" CASTLE NUT		01
06	0503010018	5/32 X 1-1/2 COTTERPIN		01
07	0503011444	SPRING WASHER		04
08	0503010358	5/16" X 5/8" BOLT		04
09	0502020591	PROTECCION COVER		01



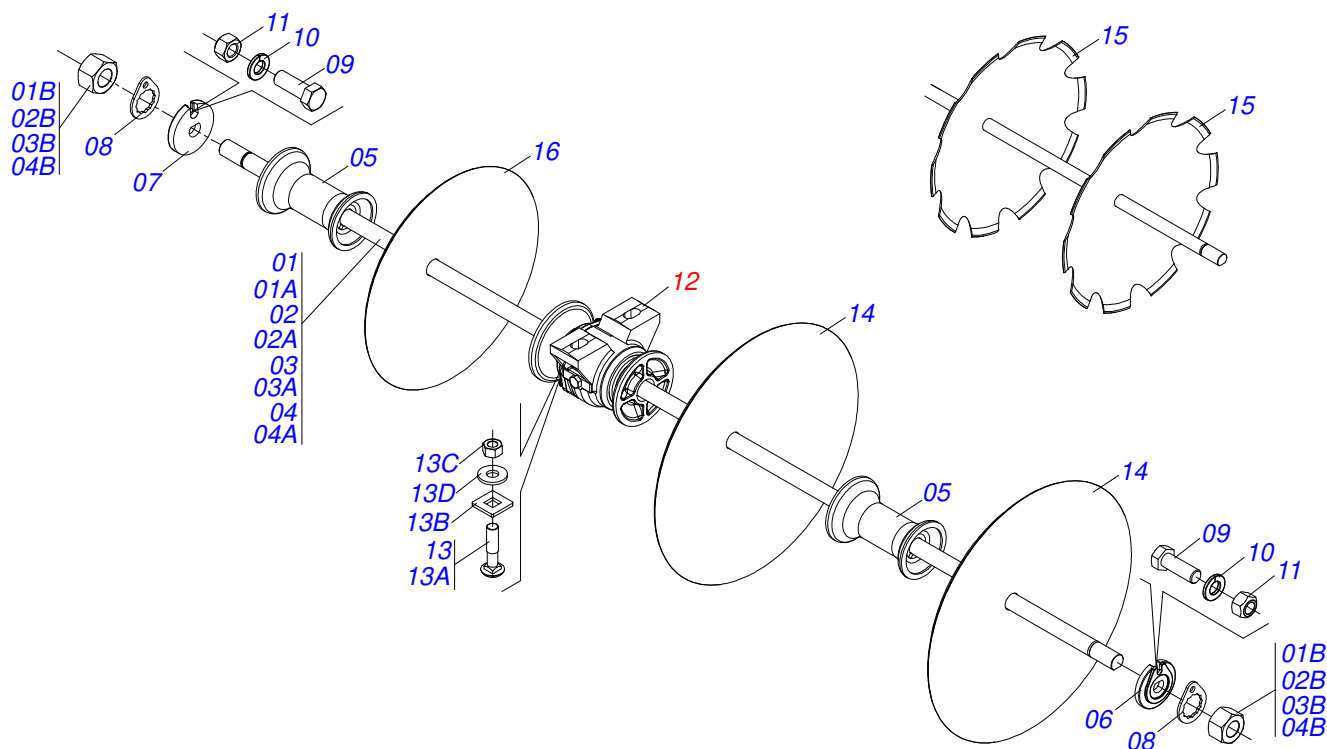
Item	Code	Description	See page	QT
01	0501068991	RIG CARRYING-WHEEL FIXATION SUPPORT		01
02	0502020591	PROTECCION COVER		01
03	0501051142	CARRYING WHEEL HUB	7	01
04	0501016545	FLAT WASHER		01
05	0503030009	1" CASTLE NUT		01
06	0503010002	1800 GREASE FITTING		01
07	0503010018	5/32 X 1-1/2 COTTERPIN		01
08	0503011444	SPRING WASHER		04
09	0503010358	5/16" X 5/8" BOLT		04



Item	Code	Description	See page	QT
01	0501110728	WHEEL HUB		01
01A	0502011121	CARRYING WHEEL HUB		01
01B	0501010127	9/16" X 1-7/8" LUG BOLT		06
01C	0503010035	9/16" CONIC NUT		06
02	0503010037	30207 ROLLER BEARING		01
03	0503010006	32210 ROLLER BEARING		01
04	0503012928	SEAL		01



Item	Code	Description	See page	QT
01	0501060185	ADJUSTMENT LOCK		01
02	0501068981	ADJUSTMENT LEVER		01
03	0521010624	0.4" X 1.5" COUPLING SHAFT		01
04	0503010071	3/16" X 1" COTTERPIN		01
05	0503030025	1.4" X 0.2" TORSION SPRING		01

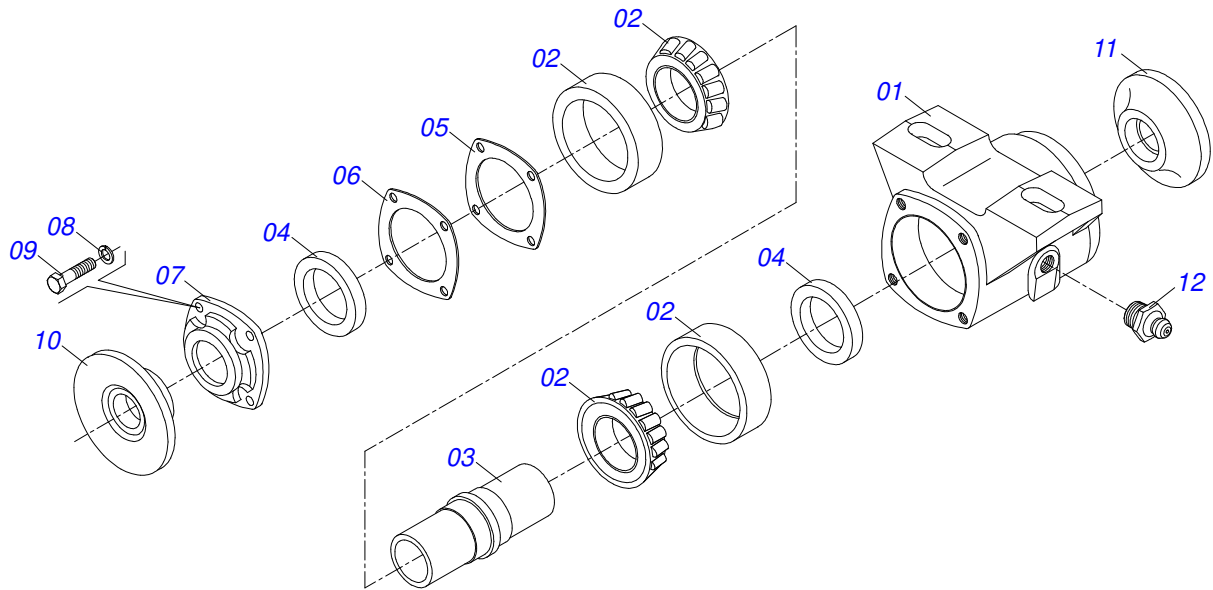


Item	Code	Description	See page	36	40	52
01	0501040694	1-1/4" X 66" AXLE WITH NUTS		04	00	00
01A	0501010439	1-1/4" X 66" AXLE		04	00	00
01B	0501010087	1.1/4" NUT		08	00	00
02	0501042947	1-1/4" X 74" AXLE WITH NUTS		00	04	00
02A	0501017377	1-1/4" X 74" AXLE		00	04	00
02B	0501010087	1.1/4" NUT		00	08	00
03	0501042201	1.1/4" X 1090 AXLE WITH NUTS		00	00	04
03A	0501016649	1.1/4" X 1090 AXLE		00	00	04
03B	0501010087	1.1/4" NUT		00	00	08
04	0501042202	1-1/4" X 50" AXLE WITH NUTS		00	00	04
04A	0501016650	1-1/4" X 50" AXLE		00	00	04
04B	0501010087	1.1/4" NUT		00	00	08
05	0502010549	7.6" X 1-1/4" SPACER		20	24	28
06	0502010834	1-1/4" INNER AXLE WASHER		04	04	08
07	0502010835	1-1/4" EXTERNAL AXLE WASHER		04	04	08
08	0501010455	1.1/4" NUT LOCK		08	08	16
09	0503010395	1/2" X 1-1/4" BOLT		08	08	16
10	0503010019	1/2" SPRING WASHER		08	08	16
11	0503010060	1/2 UNC G.5 ZN HEX NUT		08	08	16
12	0501046913	GX 7" 1-1/4" BEARING ASSY	10	12	12	16
12..	0501046922	AGRICULTURAL BEARING DM OL 192.5 X 1.1/4" IMPLEMENT	11	12	12	16
12..	0501040131	FRICTION BEARING ASSY	12	12	12	16
13	0501058802	5/8 UNC X 2.3/4" BOLT ASSY		24	24	32
13A	0503015154	5/8" X 2.3/4" BOLT		24	24	32
13B	0501010947	5/8 NUT LOCK		24	24	32
13C	0503010013	5/8 NUT		48	48	64
13D	0501012140	FLAT WASHER		24	24	32
14	0601027301	DL 20 X 3,5 C57AF02FR1.5/16		16	00	00
14.	0601029418	DL 22 X 3,5 C64AF02FR1.5/16 D126		16	18	24
14..	0601029417	DL 22 X 4,5 C64AF02FR1.5/16		16	00	24
14...	0601027304	DL 20 X 4,5 C57AF02FR1.5/16		00	00	02

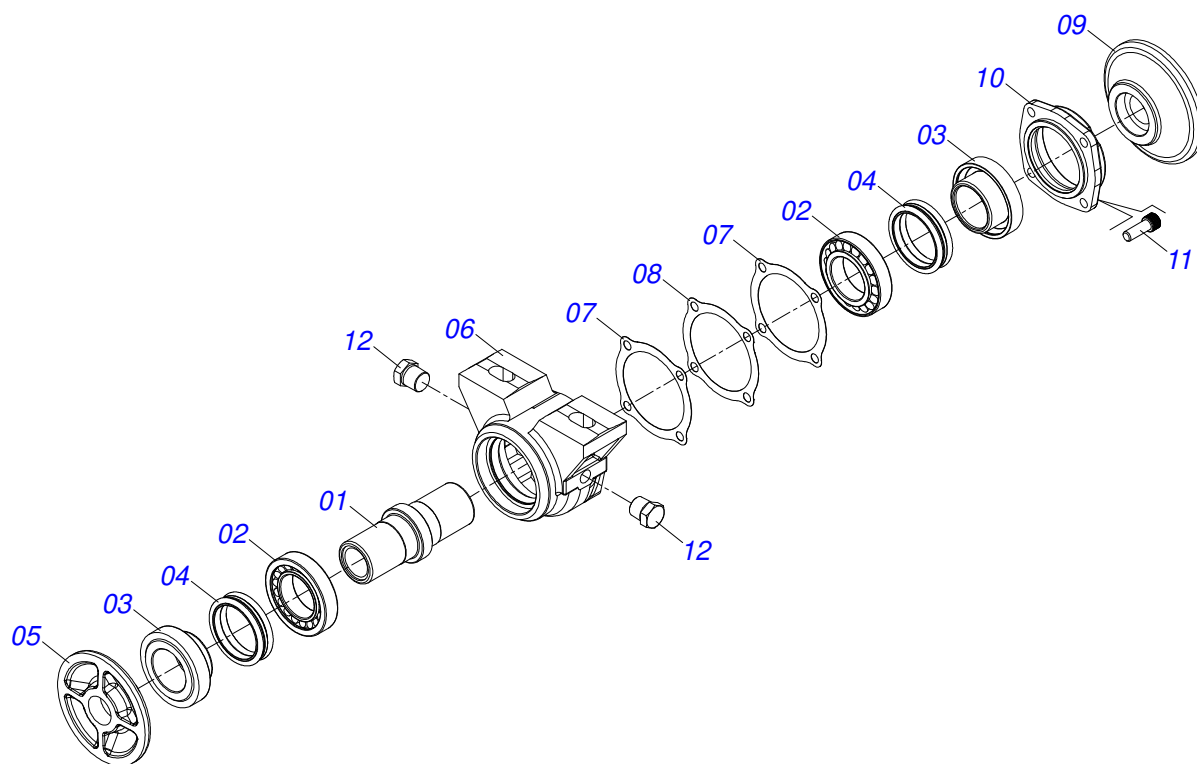


**GNM 36/40/52D**  
**36/40/52D DISC SECTION**

Item	Code	Description	See page	36	40	52
15	0602027340	DR 20 X 3,5 C57AF02FR1.5/16 10R		18	20	26
15.	0602029420	DR 22 X 3,5 C64AF02FR1.5/16 D126 10R		18	20	26
15..	0602029421	DR 22 X 4,5 C64AF02FR1.5/16 10R		18	00	26
15...	0602029420	DR 22 X 3,5 C64AF02FR1.5/16 D126 10R		00	20	00
16	0601025251	DL 18 X 3,5 C45AF02FR1.5/16		02	00	02
16.	0601027301	DL 20 X 3,5 C57AF02FR1.5/16		02	18	24
16..	0601025251	DL 18 X 3,5 C45AF02FR1.5/16		00	02	00

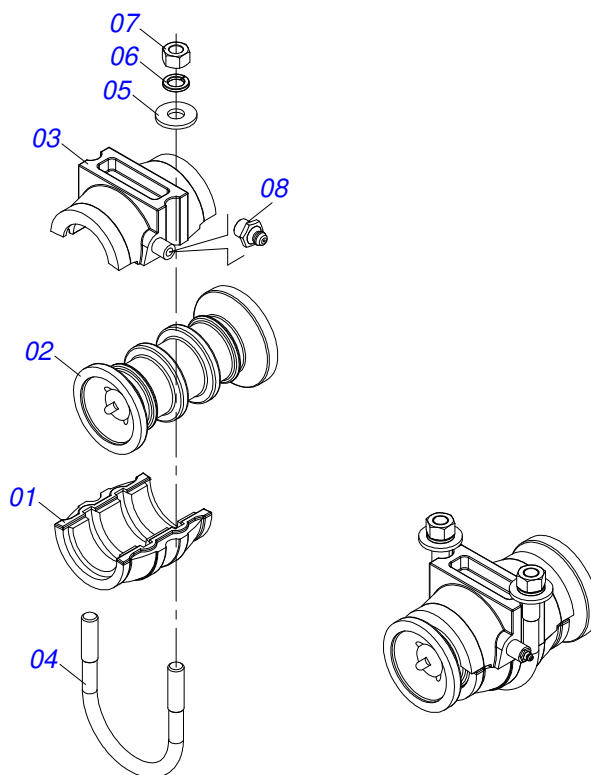


Item	Code	Description	See page	QT
01	0502020313	HOUSING CM		01
02	0503010111	30210 ROLLER BEARING		02
03	0502040218	AXLE		01
04	0503010468	SEAL 01199-GB		02
05	0503030013	4.4" X 3.5" X 0.004" JOINT		02
06	0503030684	4.4" X 3.5" X 0.004" JOINT		01
07	0502020273	HOUSING CAP CM		01
08	0503011443	3/8" SPRING WASHER		04
09	0503810237	3/8 UNC X 1 C S G.5 SA BOLT		04
10	0502010070	OUTER FLANGE		01
11	0502010071	INNER FLANGE		01
12	0503010002	1800 GREASE FITTING		01



Item	Code	Description	See page	QT
01	0502040218	AXLE		01
02	0503010111	30210 ROLLER BEARING		02
03	0502010541	SEAL RETAINER		02
04	0503030026	SEAL LP JB-253		02
05	0502010071	INNER FLANGE		01
06	0502010540	HOUSING DM		01
07	0503030013	4.4" X 3.5" X 0.004" JOINT		02
08	0503030684	4.4" X 3.5" X 0.004" JOINT		01
09	0502010070	OUTER FLANGE		01
10	0502020424	HOUSING CAP		01
11	0503010134	3/8" X 1" BOLT		04
12	0503010856	OIL PLUG		02
13	3402301247	MINERAL OIL GREASE		0,11Lts





Item	Code	Description	See page	QT
01	0502030006	LOWER COVER HOUSING		01
02	0502030005	REEL		01
03	0502030004	UPPER COVER HOUSING		01
04	0521012326	5/8 UNC X 138 X 117 FASTENER		01
05	0501012140	FLAT WASHER		02
06	0503010027	5/8 SPRING WASHER		02
07	0503010013	5/8 NUT		02
08	0503010002	1800 GREASE FITTING		01





**MARCHESAN**

**Technical Publications | Elaboration and Revision**

ALESSANDRA PATRICIA KAWAHARA CARRILI

[www.marchesan.com.br](http://www.marchesan.com.br)

