

**OFFSET DISK HARROW**

**GAICR HD 6010 - 21/25/29D**

**Code:** 0501091194

**Series:** S-0306

**Revision:** 00

**Date Revision:** JULHO/2009

# PARTS CATALOGUE



**MARCHESAN**



# PRODUCTS

Code	Description
0102260461	GAICR-HD 6010 21X28X7,5 DR DM E 1.3/4 S/PN S-0306
0102260470	GAICR-HD 6010 25X24X7,5 DR DM E 1.3/4 S/PN S-0306
0102260423	GAICR-HD 6010 25X26X7,5 DR DM E 1.3/4 S/PN S-0306
0102260462	GAICR-HD 6010 25X28X7,5 DR DM E 1.3/4 S/PN S-0306
0102260424	GAICR-HD 6010 29X26X7,5 DR DM E 1.3/4 S/PN S-0306
0102260463	GAICR-HD 6010 29X28X7,5 DR DM E 1.3/4 S/PN S-0306

## ATTENTION: IMPORTANT

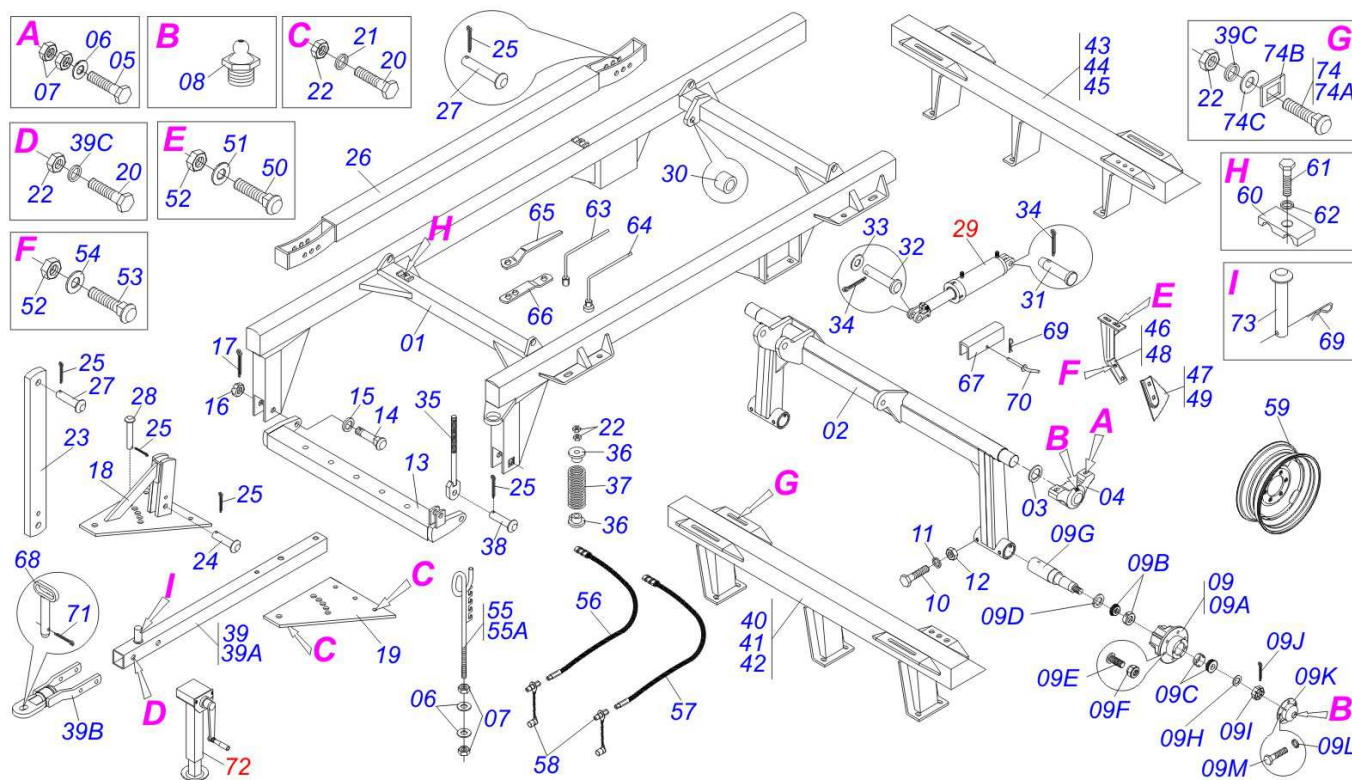
Marchesan S.A. reserves the right to improve and/or modify the technical features of its products, without obligation to do the same with those products already sold and without prior knowledge of the dealer or the customer. The photos are only illustrative.



**MARCHESAN**

# INDEX

0909093152	ASSY FRAME 21/25/29D	.....	1
0501048420	HYDRAULIC CYLINDER	.....	2
0511041259	DRAW BAR JACK ASSY	.....	3
0909093153	GANG DISC 21/25/29D	.....	4
0501043008	262 1.3/4 OIL BATH BEARING	.....	5



Item	Code	Description	See page	21	25	29
01	0511067612	GAICR-HD6010 FRAME		01	01	01
02	0511065084	CARRYING-WHEELS SUPPORT		01	01	01
03	0501017579	FLAT WASHER		02	02	02
04	0502010006	ARTICULACION BEARING		02	02	02
05	0503010797	3/4" X 4" BOLT		04	04	04
06	0501010322	FLAT WASHER		06	06	06
07	0503010014	3/4" HEX NUT		10	10	10
08	0503010002	1800 GREASE FITTING		06	06	06
09	0501054931	STUB SHAFT & HUB		04	04	04
09A	0502011121	CARRYING WHEEL HUB		04	04	04
09B	0503010006	32210 ROLLER BEARING		04	04	04
09C	0503010037	30207 ROLLER BEARING		04	04	04
09D	0503012928	SEAL		04	04	04
09E	0501010127	9/16" X 1-7/8" LUG BOLT		24	24	24
09F	0503010035	9/16" CONIC NUT		24	24	24
09G	0541010739	2.5" X 12.2" AXLE		04	04	04
09H	0501016545	FLAT WASHER		04	04	04
09I	0503030009	1" CASTLE NUT		04	04	04
09J	0503010018	5/32 X 1-1/2 COTTERPIN		04	04	04
09K	0502020591	PROTECCION COVER		04	04	04
09L	0503011444	SPRING WASHER		16	16	16
09M	0503010358	5/16" X 5/8" BOLT		16	16	16
10	0503010547	1/2" X 4" BOLT		04	04	04
11	0503011440	SPRING WASHER		04	04	04
12	0503010060	1/2 UNC G.5 ZN HEX NUT		04	04	04
13	0501066262	OFFSET BAR		01	01	01
14	0521017538	11-1/2" X 5" COUPLING SHAFT		02	02	02
15	0511019880	FLAT WASHER		02	02	02
16	0501011301	1.1/2 UNC 6FPP 2.5/16 NUT		02	02	02
17	0503010010	1/4" X 2.1/2" COTTERPIN		02	02	02
18	0501066235	UPPER PLATE WITH SUPPORT		01	01	01



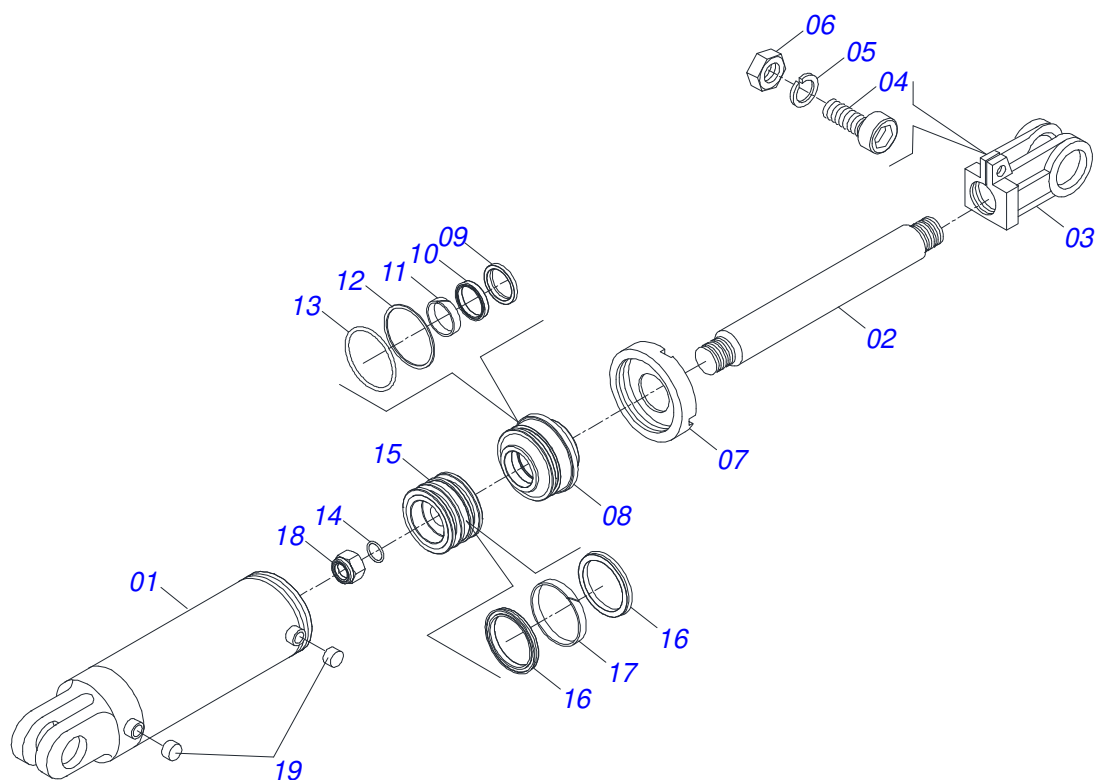
## ASSY FRAME 21/25/29D

0909093152

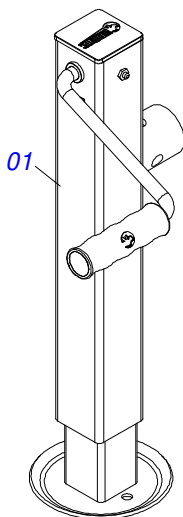
Item	Code	Description	See page	21	25	29
19	0511013000	UPPER /LOWER PLATE		01	01	01
20	0501010334	1" X 7" BOLT		06	06	06
21	0503011438	SPRING WASHER		04	04	04
22	0501010059	1.5/8 NUT		16	16	16
23	0511012972	TSTABILIZER BAR TOWER		01	01	01
24	0521010576	0.9" X 3.7" COUPLING SHAFT		01	01	01
25	0503010571	1/4" X 1.1/2 COTTERPIN		05	05	05
26	0511066932	STABILIZER BAR		01	01	01
27	0521010575	C0.9" X 3.3" COUPLING SHAFT		02	02	02
28	0521012534	0.9" X 6.1" AXLE		01	01	01
29	0501048420	HYDRAULIC CYLINDER	2	01	01	01
30	0511019920	SLEEVE 32,70 X 38,80 X 25,40		01	01	01
31	0521012538	1.2" X 3.5" COUPLING SHAFT		01	01	01
32	0511010174	1.2" X 5.9" COUPLING SHAFT		01	01	01
33	0531016049	FLAT WASHER		01	01	01
34	0503010523	1/4" X 2" SPLIT PIN		02	02	02
35	0501064698	SPRING ROD		01	01	01
36	0502020392	SPRING SUPPORT		02	02	02
37	0503030441	12.7" X 5.7" X 0.5"SPRING		01	01	01
38	0521010592	1.1" X 3.1" COUPLING SHAFT		01	01	01
39	0501044597	DRAWBAR ASSY		01	01	01
39A	0501066827	DRAWBAR ASSY		01	01	01
39B	0501065566	TRACTOR HITCH		01	01	01
39C	0503010012	1" SPRING WASHER		10	10	10
40	0511068532	FRAME FRONT		01	00	00
41	0511067607	FRAME FRONT		00	01	00
42	0511067636	FRAME FRONT		00	00	01
43	0511068533	REAR FRAME		01	00	00
44	0511067608	REAR FRAME		00	01	00
45	0511067637	REAR FRAME		00	00	01
46	0511065926	FRONT SCRAPER SUPPORT		09	11	13
47	0541013461	FRONT SCRAPER SHOVEL		09	11	13
48	0511065925	REAR SCRAPER SUPPORT		10	12	14
49	0541013463	REAR SCRAPER SHOVEL		10	12	14
50	0503013842	5/8" UNC X 1-3/4" BOLT		38	46	54
51	0501012140	FLAT WASHER		38	46	54
52	0503010013	5/8 NUT		76	92	108
53	0503012195	5/8" NUT		38	46	54
54	0503010027	5/8 SPRING WASHER		38	46	54
55	0501040257	ASSY 3/4 X 38 HOSE SUPPORT		01	01	01
55A	0511067334	HOSE SUPPORT		01	01	01
56	0501080443	3/8 X 6000 TR-TM HOSE		01	01	01
57	0501080421	3/8" X 230" TR-TM HOSE		01	01	01
58	0501053834	MALE QUICK COUPLER		02	02	02
59	0503010893	WHEEL		04	04	04
60	0502010477	HOSE CLAMP		02	02	02
61	0503011102	BOLT 7/16 UNC X 1.1/4 C S G.5 ZN		02	02	02
62	0503010180	7/16" SPRING WASHER		02	02	02
63	0501061609	3/4" WRENCH CABLE CYLINDRICAL		01	01	01
64	0501061617	1" GANG BOLT WRENCH		01	01	01
65	0501011431	1-3/4" GANG BOLT WRENCH		02	02	02
66	0511018451	5/8" X 3/4" X 1" UNIVERSAL		01	01	01
67	0511010839	TRANSPORT LOCK 7.9" X 2.1" X 0.4"		01	01	01
68	0501069080	COUPLING SHAFT		01	01	01
69	0503030168	HITCH PIN CLIP		02	02	02
70	0501068994	8,30 X 78 LOCK PIN		01	01	01
71	0503010534	3/8 X 2-1/2 COTTERPIN		01	01	01
72	0511041259	DRAWBAR JACK ASSY	3	01	01	01
73	0521010549	COUPLING SHAFT		01	01	01



Item	Code	Description	See page	21	25	29
74	0501040877	C1" X 3-1/4" ASSY BOLT		08	08	08
74A	0501014309	C1" X 3-1/4" BOLT		08	08	08
74B	0501010951	1" SQUARE WASHER		08	08	08
74C	0501010065	1" SPRING WASHER		08	08	08

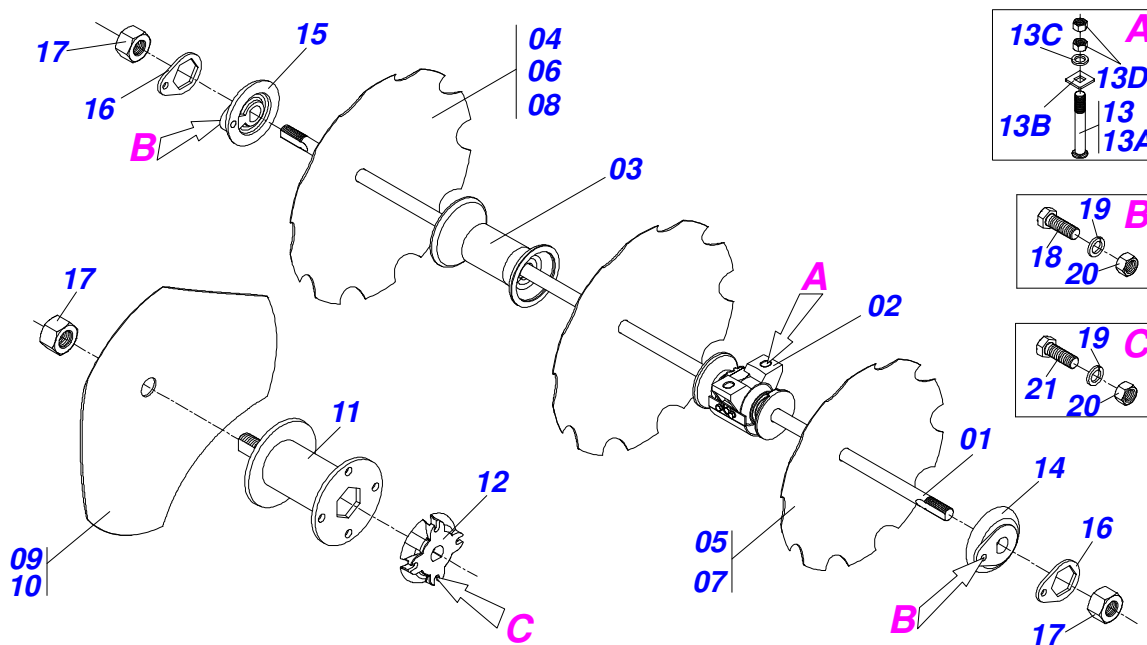


Item	Code	Description	See page	QT
01	0501069906	4" X 16" CYLINDER CASE		01
02	0521010422	HYDRAULIC CYLINDER TURNBUCKLE		01
03	0502040747	32.54 CLEVIS CLAMP		01
04	0503011094	3/8" X 2" BOLT		01
05	0503010025	3/8 SPRING WASHER		01
06	0503010026	3/8" NUT		01
07	0502010017	4" LID		01
08	0502010778	2" X 4.2" RING SUPPORT		01
09	0503010039	D-2000 SCRAPER RING		01
10	0503010991	1870-2000-375-B GASKET		01
11	0503010952	W2-2250-500 RING		01
12	0503011061	8-342 BACK-UP RING		01
13	0503010338	2-342 N 3006-9B O'RING		01
14	0503010345	2-218 N 3006-9B O'RING		01
15	0502010992	2.0" X 4.0" PISTON		01
16	0503010043	PACKING 3750-3250		02
17	0503010994	W2-4000-500 PK RING G.E		01
18	0503010817	1.1/4" SELF LOCKING NUT		01
19	0503030385	CYLINDER PLUG N-002		02
20	0501031799	HYDRAULIC CYLINDER REPAIR KIT		01

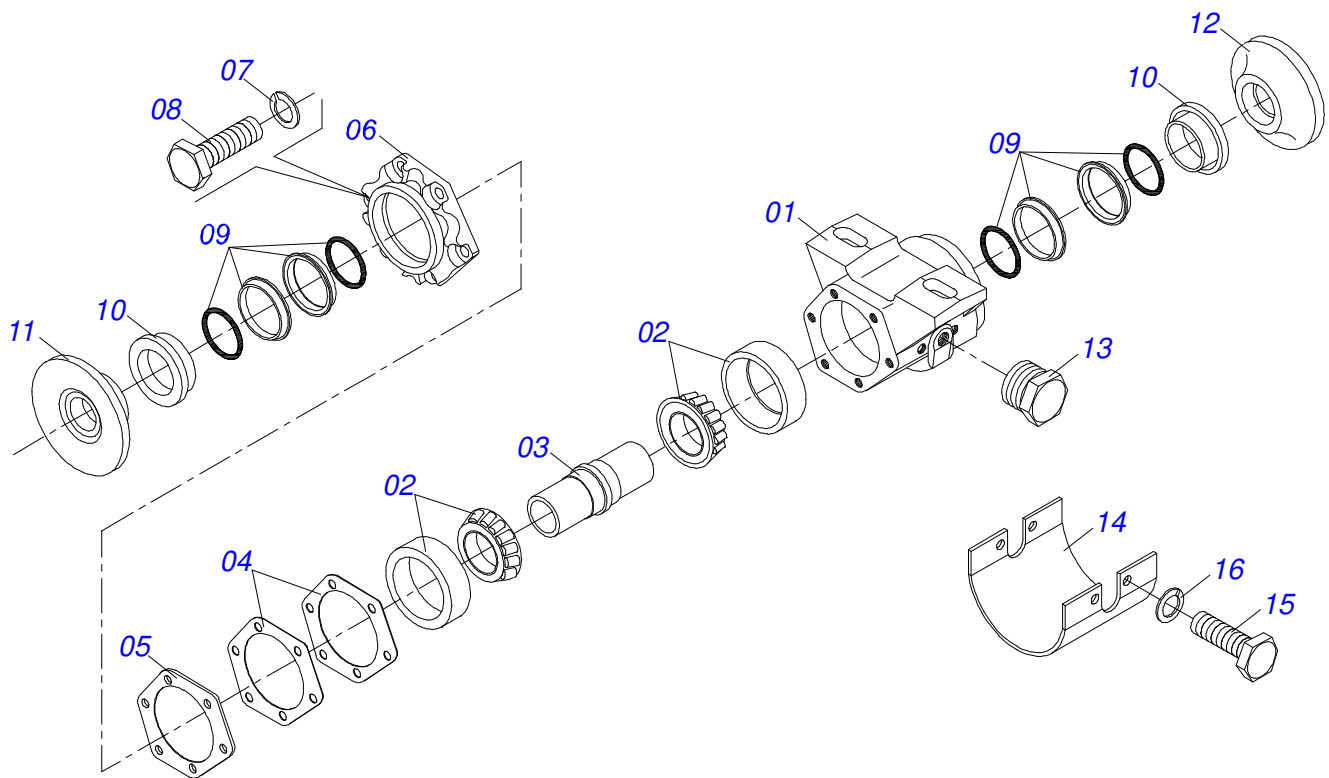


Item	Code	Description	See page	QT
01	0503062157	DRAWBAR JACK		01



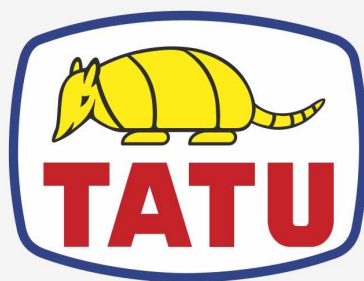


Item	Code	Description	See page	21	25	29
01	0501011425	1.3/4 X 1250 AXLE		04	04	04
02	0501043008	262 1.3/4 OIL BATH BEARING	5	08	08	08
03	0502010400	263 SPACER		08	12	16
04	0602037001	28" X 7,5MM NOTCHED DISC BLADE		19	23	27
05	0602030323	24" X 7,5 NOTCHED DISC BLADE		01	01	01
06	0602030422	24" X 7,5 NOTCHED DISC BLADE		00	24	01
07	0602029397	22" X 7'5 NOTCHED DISC BLADE		00	01	00
08	0602033307	26" X 7,5 NOTCHED DISC BLADE		00	23	27
09	0602029395	22" X 7,5 NOTCHED DISC BLADE		01	02	02
10	0602027331	20" X 7,5 NOTCHED DISC BLADE		00	01	01
11	0511067147	257 AXLE SPACER 1.3/4"		01	01	01
12	0502012378	1-3/4"EXTERNAL AXLE WASHER		01	01	01
13	0501041925	3/4" X 3-1/2" BOLT ASSY		16	16	16
13A	0501010950	3/4" X 3-1/2" BOLT		16	16	16
13B	0501010949	3/4" SQUARE WASHER		16	16	16
13C	0501010322	FLAT WASHER		16	16	16
13D	0503010014	3/4" HEX NUT		16	16	16
14	0502010582	EXTERNAL AXLE WASHER		04	04	04
15	0502010583	1.3/4" INNER AXLE WASHER		04	04	04
16	0501010319	NUT LOCK		08	08	08
17	0501010333	1.3/4" NUT		09	09	09
18	0503011267	5/8 UNC X 1.1/2 C S G.5 ZN BOLT		08	08	08
19	0503010027	5/8 SPRING WASHER		12	12	12
20	0503010013	5/8 NUT		12	12	12
21	0503010232	5/8" X 1.3/4" BOLT		04	04	04



Item	Code	Description	See page	QT
01	0502020636	8.8" X 1-5/8" OIL HOUSING BEARING	01	01
02	0503012819	ROLLER BEARING	02	02
03	0502010824	AXLE CM/DM	01	01
04	0503030030	5.6" X 4.4" X 0.01" GASKET	02	02
05	0503030685	5.5" X 4.4" X 0.003" GASKET	01	01
06	0502020161	WEAR PLATE BEARING	01	01
07	0503010025	3/8 SPRING WASHER	06	06
08	0503010237	3/8" X 1" BOLT	06	06
09	0503030027	DUO-CONE SEAL	02	02
10	0502010823	SEAL RETAINER	02	02
11	0502040141	OUTER FLANGE	01	01
12	0502040142	INNER FLANGE	01	01
13	0503010856	OIL PLUG	02	02
14	0521012933	BEARING WEAR PLATE	01	01
15	0503010834	1/2 X 1 BOLT	04	04
16	0503010019	1/2" SPRING WASHER	04	04





**MARCHESAN**

**Technical Publications | Elaboration and Revision**

ALESSANDRA PATRICIA KAWAHARA CARRILI

[www.marchesan.com.br](http://www.marchesan.com.br)

