

PARTS CATALOGUE



OFFSET DISK HARROW

Code:

0501091191

Product:

GASPCR HD 9017



Series:

S-0814

Revision:

00

Date Revision:

JUNHO/2016



PRODUCTS

Code	Description
0102090202	GASPCR HD 9017 12X38X12 DRDM S-0805
0102090201	GASPCR HD 9017 14X36X12 DRDM S-0805
0102090203	GASPCR HD 9017 14X38X12 DRDM S-0805
0102090222	GASPCR HD 9017 16X40X12 DM DR S-0805
0102090176	GASPCR HD 9017 18X36X12 DM S-0805
0102090223	GASPCR HD 9017 20 X 40 X 12 DM S-0805
0102090175	GASPCR HD 9017 20X36X12 DM S-0805
0102090180	GASPCR HD 9017 20X38X12 DM S-0805
0102090184	GASPCR HD 9017 22X36X12 DM S-0805
0102090214	GASPCR HD 9017 24 X 36 X 12 S-0814
0102090215	GASPCR HD 9017 26 X 36 X 12 S-0814
0102090216	GASPCR HD 9017 28 X 36 X 12 S-0814
0102090217	GASPCR HD 9017 30 X 36 X 12 S-0814
0102090218	GASPCR HD 9017 32 X 36 X 12 S-0814
0102090219	GASPCR HD 9017 34 X 36 X 12 S-0814
0102090220	GASPCR HD 9017 36 X 36 X 12 S-0814
0102090185	GASPCR HD9017 12X36X12DRDMS/PN S805
0102090186	GASPCR HD9017 16X36X12DRDMS/PN S805
0102090206	GASPCR-HD 9017 22X38X12 DRDM S-0805

ATTENTION: IMPORTANT

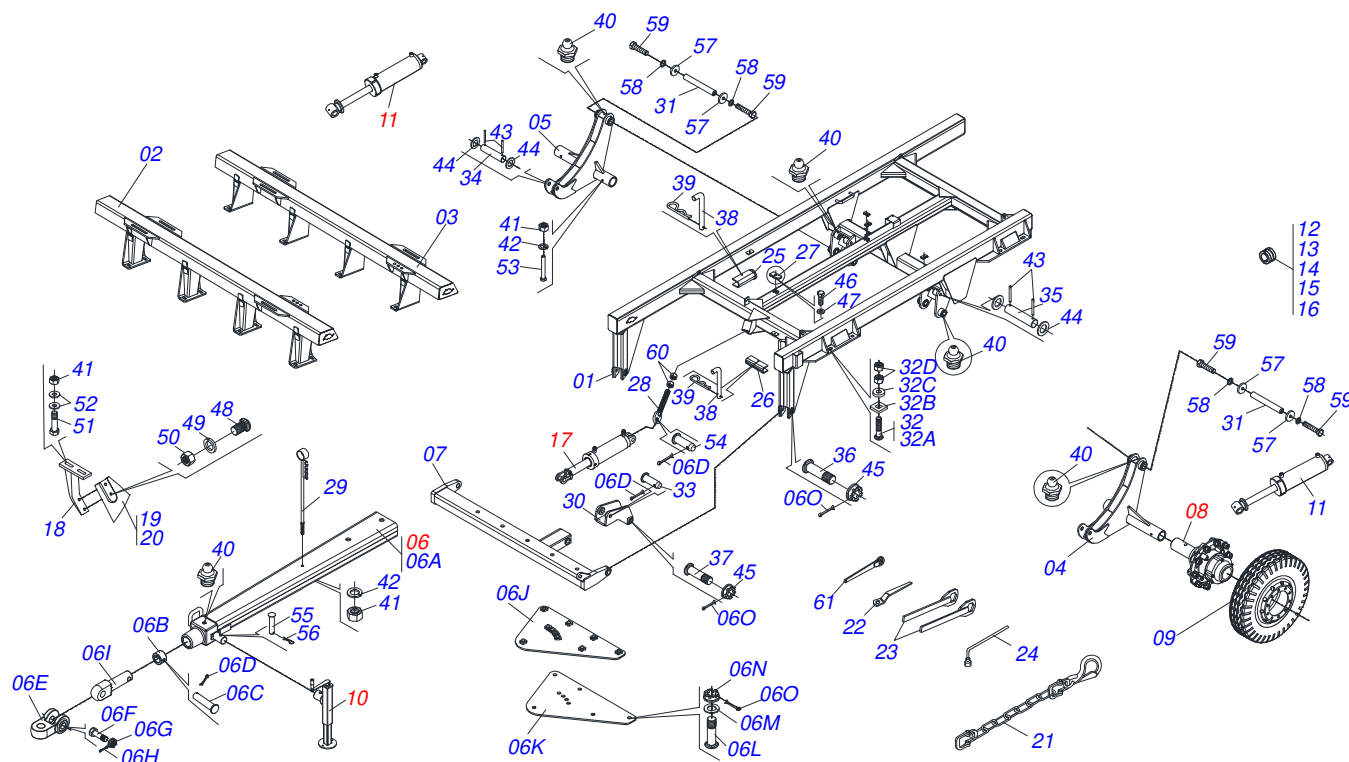
Marchesan S.A. reserves the right to improve and / or modify the technical features of its products, without obligation to do the same with those products already sold and without prior knowledge of the dealer or the consumer.



MARCHESAN

INDEX

0909090498	OFFSET DISK HARROW (STUBBLE)	1
0909094679	FRAME GASPCR HD 9017 18 A22	2
0909094709	FRAME GASPCR HD 24 A 36	3
0501057120	WHEEL WITHOUT TIRE	4
0511048088	DRAWBAR JACK	5
0909094465	16/18/20/22/26D - HYDRAULIC CIRCUIT	6
0909094061	HYDRAULIC CIRCUIT REVIEW	7
0909094622	HYDRAULIC CIRCUIT REVIEW	8
0511058419	HYDRAULIC CYLINDER 50,80 X 101,60 X 514 X 206	9
0511048619	HYDRAULIC CYLINDER	10
0909094678	GANG DISC 18	11
0909094619	GANG DISC	12
0909094620	GANG DISC 20	13
0909094621	GANG DISC 22	14
0909094689	GANG DISC 24 A 36	15
0521041291	OIL 430 X 2.1/2 BEARING ASSY	16



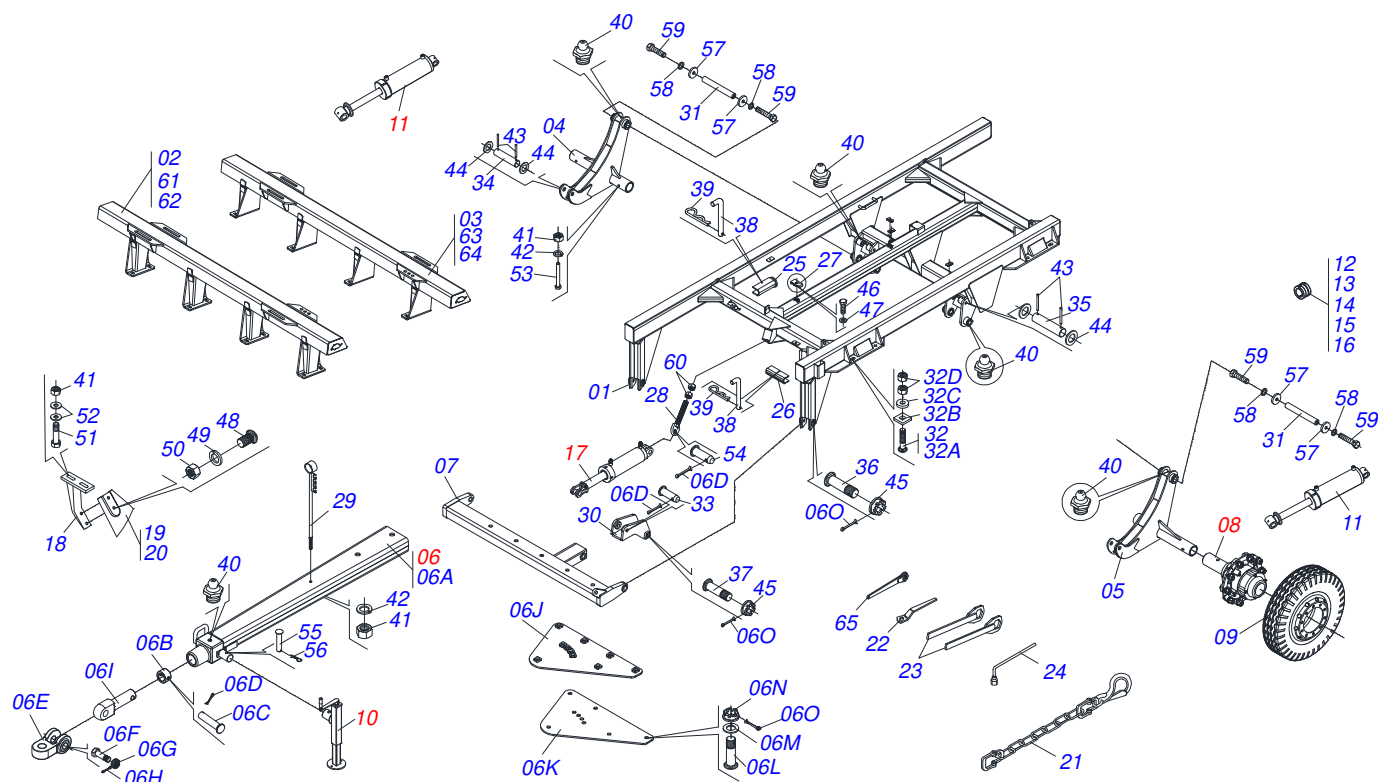
Item	Code	Description	See page	12	14	16
01	0511067822	FRAME GASPCR-HD 9017/EHD 10020		01	01	01
02	0521062619	FRONT FRAME - 12D		01		
02.	0521062597	FRONT FRAME - 14D			01	
02..	0511066942	FRONT FRAME				01
03	0521062621	REAR FRAME - 12D		01		
03.	0521062598	REAR FRAME - 14D			01	
03..	0511066943	REAR FRAME				01
04	0511066611	LEFT CARRYING-WHEELS SUPPORT		01	01	01
05	0511066741	RIGHT CARRYING-WHEELS SUPPORT		01	01	01
06	0511041592	DRAWBAR ASSY		01	01	01
06A	0511064669	DRAWBAR ASSY		01	01	01
06B	0502040263	ANEL TRAVA ENGATE		01	01	01
06C	0561017306	COUPLING SHAFT		01	01	01
06D	0503010523	1/4" X 2" COTTERPIN		01	01	01
06E	0502040293	YH-90 CLEVIS		01	01	01
06F	0511067199	2" BOLT		01	01	01
06G	0502040558	2" CASTLE NUT		01	01	01
06H	0503010074	3/8 X 0,15" COTTERPIN		01	01	01
06I	0502040264	DRAWBOLT		01	01	01
06J	0511067825	UPPER PLATE		01	01	01
06K	0511067826	LOWER PLATE		01	01	01
06L	0521011880	37,5 X 242 COUPLING SHAFT		06	06	06
06M	0501012916	FLAT WASHER 38,50 X 66 X 4,75 ZN		06	06	06
06N	0501011301	1.1/2 UNC 6FPP 2.5/16 NUT		06	06	06
06O	0503010010	1/4" X 2.1/2" COTTERPIN		09	09	09
07	0511067827	1100 OFFSET BAR		01	01	01
08	0501057120	WHEEL WITHOUT TIRE	4	04	04	04
09	0503061582	TIRE WHEELS		04	04	04
10	0511048088	DRAWBAR JACK	5	01	01	01
11	0511048619	HYDRAULIC CYLINDER	10	02	02	02
12	0501047895	ROD STOP		09	09	09



OFFSET DISK HARROW (STUBBLE)

0909090498

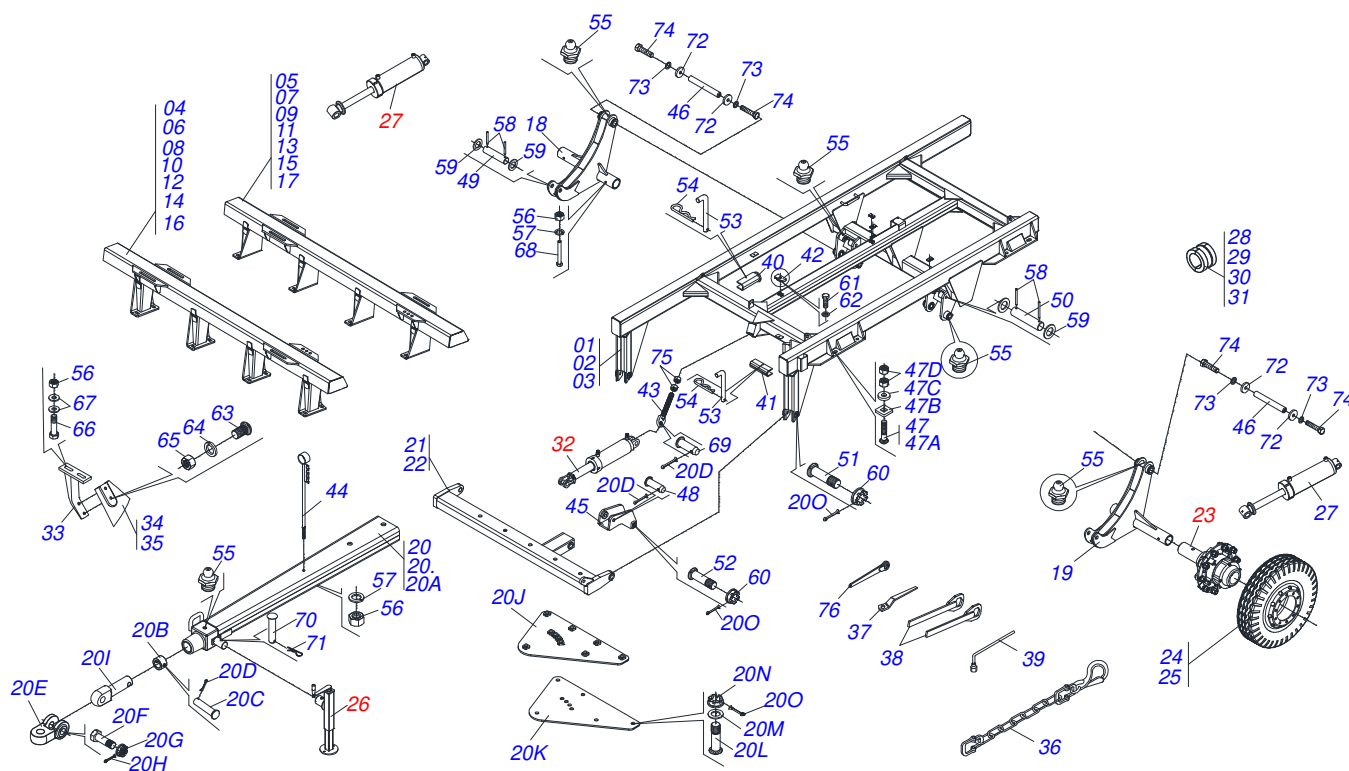
Item	Code	Description	See page	12	14	16
13	0501047885	ROD STOP		09	09	09
14	0501047886	ROD STOP		03	03	03
15	0501047887	ROD STOP		03	03	03
16	0501047888	ROD STOP		03	03	03
17	0511058419	HYDRAULIC CYLINDER 50,80 X 101,60 X 514 X 206 9		01	01	01
18	0511064771	FRONT SCRAPER SUPPORT		12	14	16
19	0521013678	FRONT CLEANER		06	07	08
20	0521013679	REAR CLEANER		06	07	08
21	0503013150	1300 X 3/8 CHAIN		01	01	01
22	0501011432	1-1/2" AND 1-5/8 GANG BOLT WRENCH		01	01	01
23	0501061044	2-1/8" AND 2-1/2" CABLE FLAT WRENCH		02	02	02
24	0503016137	1-1/4" WRENCH CABLE CYLINDER		01	01	01
25	0551010332	TRANSPORT LOCK		01	01	01
26	0561016693	TRANSPORT LOCK		02	02	02
27	0502012702	BODY SUPPORT CLAMP		04	04	04
28	0511064433	REGULATOR SPINDLE 1-3/4		01	01	01
29	0521062849	HOSE HOLDER ASSY		01	01	01
30	0511064656	DRAWBAR PIVOT		01	01	01
31	0531018062	COUPLING SHAFT		02	02	02
32	0501041301	1-1/4"X 5-3/4" ASSY BOLT		08	08	08
32A	0501010954	1-1/4" X 5-3/4" BOLT		08	08	08
32B	0501010953	1-1/4" SQUARE WASHER		08	08	08
32C	0531810713	FLAT WASHER		08	08	08
32D	0501010087	1.1/4" NUT		16	16	16
33	0531019171	1.25" X 7" COUPLING SHAFT		01	01	01
34	0531018101	1.2" X 6.3" PIVOT SHAFT		02	02	02
35	0531018105	1.2" X 11.8" PIVOT SHAFT		02	02	02
36	0541014119	37.5 X 195 COUPLING SHAFT		02	02	02
37	0521012053	1.5" X 8.6" AXLE		01	01	01
38	0541016844	FIXER LOCK		03	03	03
39	0503030285	HAIR PIN		03	03	03
40	0503010002	1800 GREASE FITTING		11	11	11
41	0503010014	3/4" NUT		24	28	32
42	0503010023	3/4" SPRING WASHER		05	05	05
43	0503011877	0.3" X 2.4" SPRING PIN		08	08	08
44	0501017779	32 X 60 X 4.75 FLAT WASHER		08	08	08
45	0501011301	1.1/2 UNC 6FPP 2.5/16 NUT		03	03	03
46	0503012555	SCREW 7/16 UNC X 2 CS RT G.7 ZN		04	04	04
47	0503010180	7/16" SPRING WASHER		04	04	04
48	0503012195	5/8" NUT		24	28	32
49	0503010027	5/8" SPRING WASHER		48	56	64
50	0503010013	5/8" NUT		48	56	64
51	0501010500	3/4"X3"BOLT		48	56	64
52	0541010763	FLAT WASHER		96	112	148
53	0503011198	C3/4" X 6" SCREW		04	04	04
54	0521012538	1.2" X 3.5" COUPLING SHAFT		01	01	01
55	0561014251	COUPLING SHAFT		01	01	01
56	0503030012	HAIR PIN		01	01	01
57	0521011565	FLAT WASHER		04	04	04
58	0503010012	1" SPRING WASHER		04	04	04
59	0503011250	1" X 2" BOLT		04	04	04
60	0501010333	1.3/4" NUT		02	02	02
61	0521062858	1.1/4" WRENCH NUT		01	01	01



Item	Code	Description	See page	18	20	22
01	0511067123	FRAME GASPCR EHD 10020 S-0705		01	01	01
02	0521062611	FRONT FRAME 18D		01	00	00
03	0521062614	REAR FRAME 18D		01	01	00
04	0511066611	LEFT CARRYING-WHEELS SUPPORT		01	01	01
05	0511066741	RIGHT CARRYING-WHEELS SUPPORT		01	01	01
06	0511041592	DRAWBAR ASSY		01	01	01
06A	0511064669	DRAWBAR ASSY		01	01	01
06B	0502040263	ANEL TRAVA ENGATE		01	01	01
06C	0561017306	COUPLING SHAFT		01	01	01
06D	0503010523	1/4" X 2" COTTERPIN		03	03	03
06E	0502040293	YH-90 CLEVIS		01	01	01
06F	0511067199	2" BOLT		01	01	01
06G	0502040558	2" CASTLE NUT		01	01	01
06H	0503010074	3/8 X 0,15" COTTERPIN		01	01	01
06I	0502040264	DRAWBOLT		01	01	01
06J	0511067825	UPPER PLATE		01	01	01
06K	0511067826	LOWER PLATE		01	01	01
06L	0521011880	37,5 X 242 COUPLING SHAFT		06	06	06
06M	0501012916	FLAT WASHER 38,50 X 66 X 4,75 ZN		06	06	06
06N	0501011301	1.1/2 UNC 6FPP 2.5/16 NUT		06	06	06
06O	0503010010	1/4" X 2.1/2" COTTERPIN		09	09	09
07	0511066580	2135 OFFSET BAR		01	01	01
08	0501057120	WHEEL WITHOUT TIRE	4	04	04	04
09	0503061582	TIRE WHEELS		04	04	04
10	0511048088	DRAWBAR JACK	5	01	01	01
11	0511048619	HYDRAULIC CYLINDER	10	02	02	02
12	0501047895	ROD STOP		09	09	09
13	0501047885	ROD STOP		06	06	06
14	0501047886	ROD STOP		03	03	03
15	0501047887	ROD STOP		03	03	03
16	0501047888	ROD STOP		03	03	03



Item	Code	Description	See page	18	20	22
17	0511058419	HYDRAULIC CYLINDER 50,80 X 101,60 X 514 X 206	9	01	01	01
18	0511064771	FRONT SCRAPER SUPPORT		18	20	22
19	0521013678	FRONT CLEANER		09	10	12
20	0521013679	REAR CLEANER		09	10	12
21	0503013150	1300 X 3/8 CHAIN		01	01	01
22	0501011432	1-1/2" AND 1-5/8 GANG BOLT WRENCH		01	01	01
23	0501061044	2-1/8" AND 2-1/2" CABLE FLAT WRENCH		02	02	02
24	0503016137	1-1/4" WRENCH CABLE CYLINDER		01	01	01
25	0551010332	TRANSPORT LOCK		01	01	01
26	0561016693	TRANSPORT LOCK		02	02	02
27	0502012702	BODY SUPPORT CLAMP		04	04	04
28	0511064433	REGULATOR SPINDLE 1-3/4		01	01	01
29	0521062849	HOSE HOLDER ASSY		01	01	01
30	0511064656	DRAWBAR PIVOT		01	01	01
31	0531018062	COUPLING SHAFT		02	02	02
32	0501041301	1-1/4"X 5-3/4" ASSY BOLT		08	08	08
32A	0501010954	1-1/4" X 5-3/4" BOLT		08	08	08
32B	0501010953	1-1/4" SQUARE WASHER		08	08	08
32C	0531810713	FLAT WASHER		08	08	08
32D	0501010087	1.1/4" NUT		16	16	16
33	0531019171	1.25" X 7" COUPLING SHAFT		01	01	01
34	0531018101	1.2" X 6.3" PIVOT SHAFT		02	02	02
35	0531018105	1.2" X 11.8" PIVOT SHAFT		02	02	02
36	0541014119	37.5 X 195 COUPLING SHAFT		02	02	02
37	0521012053	1.5" X 8.6" AXLE		01	01	01
38	0541016844	FIXER LOCK		03	03	03
39	0503030285	HAIR PIN		03	03	03
40	0503010002	1800 GREASE FITTING		11	11	11
41	0503010014	3/4" NUT		45	45	45
42	0503010023	3/4" SPRING WASHER		05	05	05
43	0503011877	0.3" X 2.4" SPRING PIN		08	08	08
44	0501017779	32 X 60 X 4.75 FLAT WASHER		08	08	08
45	0501011301	1.1/2 UNC 6FPP 2.5/16 NUT		03	03	03
46	0503012555	SCREW 7/16 UNC X 2 CS RT G.7 ZN		04	04	04
47	0503010180	7/16" SPRING WASHER		04	04	04
48	0503012195	5/8" NUT		36	40	44
49	0503010027	5/8" SPRING WASHER		36	40	44
50	0503010013	5/8" NUT		36	40	44
51	0501010500	3/4"X3"BOLT		36	40	44
52	0541010763	FLAT WASHER		72	80	88
53	0503011198	C3/4" X 6" SCREW		04	04	04
54	0521012538	1.2" X 3.5" COUPLING SHAFT		01	01	01
55	0561014251	COUPLING SHAFT		01	01	01
56	0503030012	HAIR PIN		01	01	01
57	0521011565	FLAT WASHER		04	04	04
58	0503010012	1" SPRING WASHER		04	04	04
59	0503011250	1" X 2" BOLT		04	04	04
60	0501010333	1.3/4" NUT		02	02	02
61	0511067420	FRONT FRAME 20D		00	01	00
62	0521062613	FRONT FRAME 22D		00	00	01
63	0511067421	REAR FRAME 20D		00	01	00
64	0521062615	REAR FRAME 22D		00	00	01
65	0521062858	1.1/4" WRENCH NUT		01	01	01



Item	Code	Description	See page	24	26	28	30	32	34	36
01	0521062952	FRAME GASPCR-EHD 10020 26D		01	01	01	01	00	00	00
02	0521065285	FRAME GASPCR-HD 9017 32-36		00	00	00	00	01	01	00
03	0521065286	RIGHT FRAME GASPCRC-HD 9017 32-36		00	00	00	00	00	00	01
04	0521065292	FRONT FRAME - 24D		01	00	00	00	00	00	00
05	0521065290	REAR FRAME - 24D		01	00	00	00	00	00	00
06	0521065296	FRONT FRAME - 26D		00	01	00	00	00	00	00
07	0521065294	REAR FRAME - 26D		00	01	00	00	00	00	00
08	0521065298	FRONT FRAME - 28D		00	00	01	00	00	00	00
09	0521065300	REAR FRAME - 28D		00	00	01	00	00	00	00
10	0521065302	FRONT FRAME - 30D		00	00	00	01	00	00	00
11	0521065304	REAR FRAME - 30D		00	00	00	01	00	00	00
12	0521065306	FRONT FRAME GASPCR-HD 9017 32		00	00	00	00	01	00	00
13	0521065308	REAR FRAME GASPCR-HD 9017 32		00	00	00	00	01	00	00
14	0521065310	FRONT FRAME GASPCR-HD 9017 34		00	00	00	00	00	01	00
15	0521065312	REAR FRAME GASPCR-HD 9017 34		00	00	00	00	00	01	00
16	0521065314	FRONT FRAME GASPCR-HD 9017 36D		00	00	00	00	00	00	01
17	0521065316	REAR FRAME		00	00	00	00	00	00	01
18	0511066611	LEFT CARRYING-WHEELS SUPPORT		01	01	01	01	01	01	01
19	0511066741	RIGHT CARRYING-WHEELS SUPPORT		01	01	01	01	01	01	01
20	0521044769	DRAWBAR ASSY		00	00	00	00	01	01	01
20.	0521041823	ASSY TRACTION BAR (PIN 3")		01	01	01	01	00	00	00
20A	0511064669	DRAWBAR ASSY		01	01	01	01	01	01	01
20B	0502040263	ANEL TRAVA ENGATE		01	01	01	01	01	01	01
20C	0561017306	COUPLING SHAFT		01	01	01	01	01	01	01
20D	0503010523	1/4" X 2" COTTERPIN		03	03	03	03	03	03	03
20E	0502040293	YH-90 CLEVIS		01	01	01	01	01	01	01
20F	0511067199	2" BOLT		01	01	01	01	01	01	01
20G	0502040558	2" CASTLE NUT		01	01	01	01	01	01	01
20H	0503010074	3/8 X 0,15" COTTERPIN		01	01	01	01	01	01	01
20I	0502040264	DRAWBOLT		01	01	01	01	01	01	01
20J	0511064659	UPPER PLATE		01	01	01	01	01	01	01

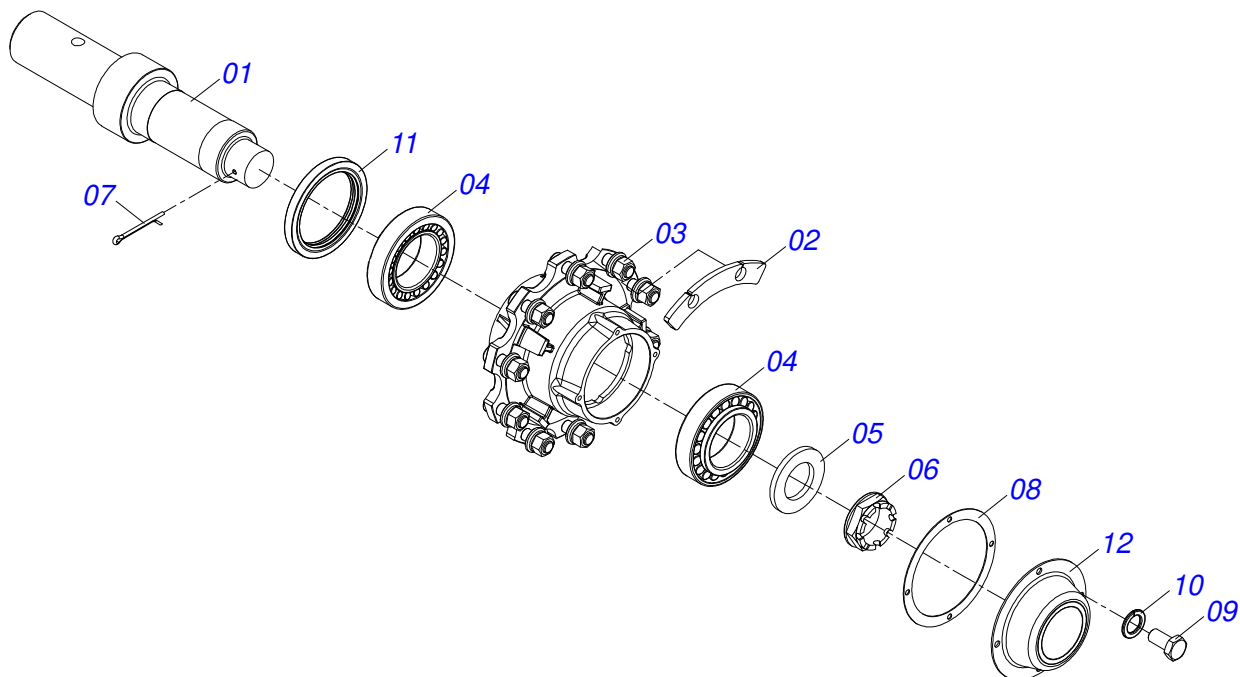


Item	Code	Description	See page	24	26	28	30	32	34	36
20K	0511064658	LOWER PLATE		01	01	01	01	01	01	01
20L	0521011880	37,5 X 242 COUPLING SHAFT		06	06	06	06	06	06	06
20M	0501012916	FLAT WASHER 38,50 X 66 X 4,75 ZN		06	06	06	06	06	06	06
20N	0501011301	1.1/2 UNC 6FPP 2.5/16 NUT		06	06	06	06	06	06	06
20O	0503010010	1/4" X 2.1/2" COTTERPIN		09	09	09	09	09	09	09
21	0511066580	2135 OFFSET BAR		01	01	01	00	00	00	01
22	0521065288	OFFSET BAR		00	00	00	01	01	01	01
23	0501057120	WHEEL WITHOUT TIRE	4	04	04	04	04	04	04	04
24	0503062172	WHEEL AND TIRE ASSY		04	04	04	04	00	00	04
25	0503061582	TIRE WHEELS		00	00	00	00	04	04	00
26	0511048088	DRAWBAR JACK	5	01	01	01	01	01	01	01
27	0511048619	HYDRAULIC CYLINDER	10	02	02	02	02	02	02	02
28	0501047895	ROD STOP		09	09	09	09	09	09	09
29	0501047885	ROD STOP		06	06	06	06	06	06	06
30	0501047886	ROD STOP		03	03	03	03	03	03	03
31	0501047887	ROD STOP		03	03	03	03	03	03	03
32	0511048617	HYDRAULIC CYLINDER		01	01	01	01	01	01	01
33	0511064771	FRONT SCRAPER SUPPORT		24	26	28	30	32	34	36
34	0521013678	FRONT CLEANER		12	13	14	15	16	17	18
35	0521013679	REAR CLEANER		12	13	14	15	16	17	18
36	0503013150	1300 X 3/8 CHAIN		01	01	01	01	01	01	01
37	0501011432	1-1/2" AND 1-5/8 GANG BOLT WRENCH		01	01	01	01	01	01	01
38	0501061044	2-1/8" AND 2-1/2" CABLE FLAT WRENCH		02	02	02	02	02	02	02
39	0503016137	1-1/4" WRENCH CABLE CYLINDER		01	01	01	01	01	01	01
40	0551010332	TRANSPORT LOCK		01	01	01	01	01	01	01
41	0561016693	TRANSPORT LOCK		02	02	02	02	02	02	02
42	0502012702	BODY SUPPORT CLAMP		04	04	04	04	04	04	04
43	0511064433	REGULATOR SPINDLE 1-3/4		01	01	01	01	01	01	01
44	0521062849	HOSE HOLDER ASSY		01	01	01	01	01	01	01
45	0511064656	DRAWBAR PIVOT		01	01	01	01	01	01	01
46	0531018062	COUPLING SHAFT		02	02	02	02	02	02	02
47	0521040349	1-1/4" X 5.3/4" BOLT		08	08	08	08	08	08	08
47A	0501010954	1-1/4" X 5-3/4" BOLT		08	08	08	08	08	08	08
47B	0571010449	LOCK BOLT		08	08	08	08	08	08	08
47C	0571010448	SLEEVE 32,50 X 75 X 16		08	08	08	08	08	08	08
47D	0501010087	1.1/4" NUT		16	16	16	16	16	16	16
48	0531019171	1.25" X 7" COUPLING SHAFT		01	01	01	01	01	01	01
49	0531018101	1.2" X 6.3" PIVOT SHAFT		02	02	02	02	02	02	02
50	0531018105	1.2" X 11.8" PIVOT SHAFT		02	02	02	02	02	02	02
51	0541014119	37.5 X 195 COUPLING SHAFT		02	02	02	02	02	02	02
52	0521012053	1.5" X 8.6" AXLE		01	01	01	01	01	01	01
53	0541016844	FIXER LOCK		03	03	03	03	03	03	03
54	0503030285	HAIR PIN		03	03	03	03	03	03	03
55	0503010002	1800 GREASE FITTING		11	11	11	11	11	11	11
56	0503010014	3/4" NUT		45	45	45	45	45	45	45
57	0503010023	3/4" SPRING WASHER		05	05	05	05	05	05	05
58	0503011877	0.3" X 2.4" SPRING PIN		08	08	08	08	08	08	08
59	0501017779	32 X 60 X 4.75 FLAT WASHER		08	08	08	08	08	08	08
60	0501011301	1.1/2 UNC 6FPP 2.5/16 NUT		03	03	03	03	03	03	03
61	0503012555	SCREW 7/16 UNC X 2 CS RT G.7 ZN		04	04	04	04	04	04	04
62	0503010180	7/16" SPRING WASHER		04	04	04	04	04	04	04
63	0503012195	5/8" NUT		48	52	56	60	64	68	72
64	0503010027	5/8" SPRING WASHER		64	68	72	84	88	92	96
65	0503010013	5/8" NUT		68	72	76	88	92	96	100
66	0501010500	3/4"X3"BOLT		48	52	56	60	64	68	72
67	0541010763	FLAT WASHER		96	104	112	128	132	136	
68	0503011198	C3/4" X 6" SCREW		04	04	04	04	04	04	04
69	0521012538	1.2" X 3.5" COUPLING SHAFT		01	01	01	01	01	01	01
70	0561014251	COUPLING SHAFT		01	01	01	01	01	01	01

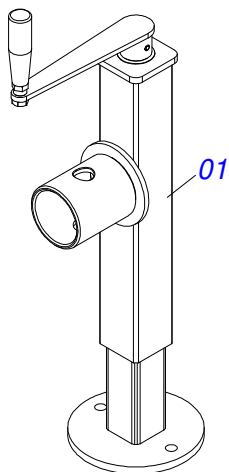


GASPCR HD 9017
FRAME GASPCR HD 24 A 36

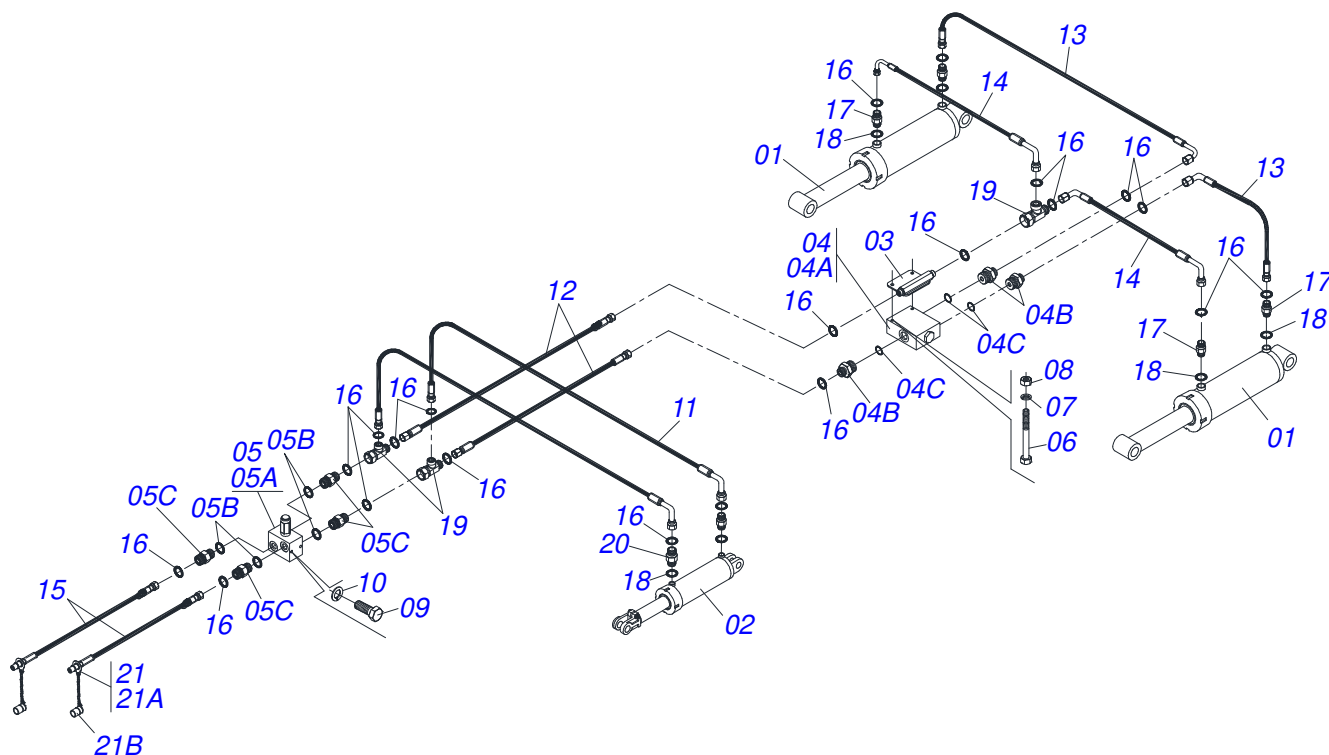
Item	Code	Description	See page	24	26	28	30	32	34	36
71	0503030012	HAIR PIN		01	01	01	01	01	01	01
72	0521011565	FLAT WASHER		04	04	04	04	04	04	04
73	0503010012	1" SPRING WASHER		04	04	04	04	04	04	04
74	0503011250	1" X 2" BOLT		04	04	04	04	04	04	04
75	0501010333	1.3/4" NUT		02	02	02	02	02	02	02
76	0521062858	1.1/4" WRENCH NUT		01	01	01	01	01	01	01



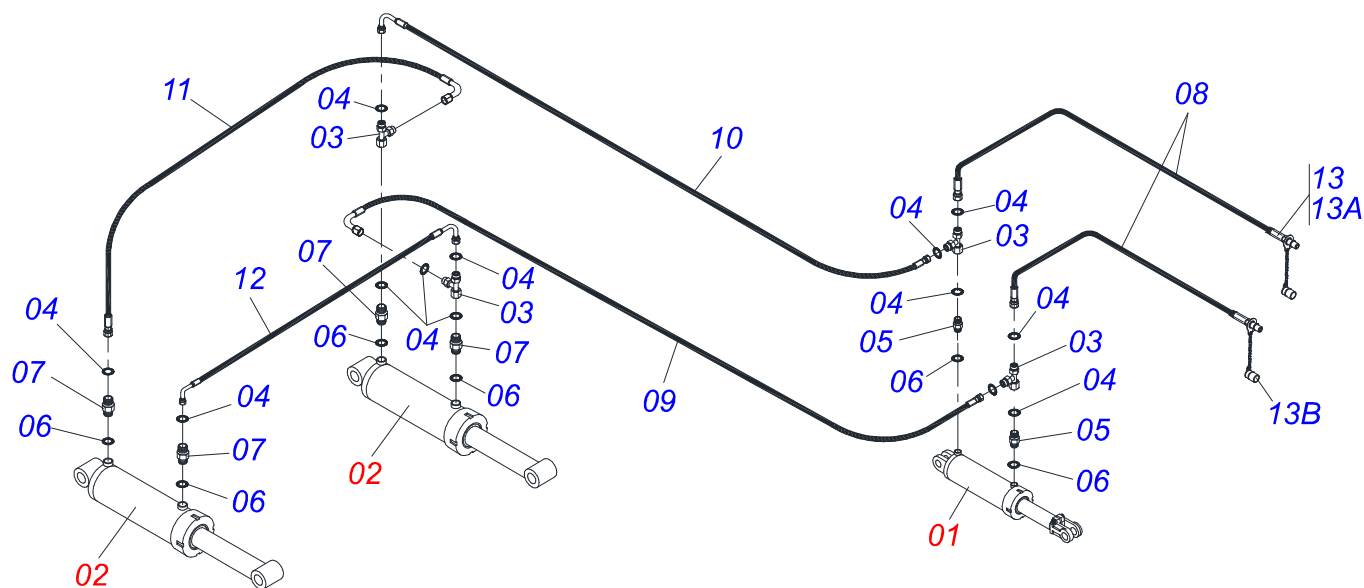
Item	Code	Description	See page	QT
01	0551011426	POINT AXIS R2.1/2UN		01
02	0561015521	FLANGE		05
03	0501110761	HUB AND BOLT		01
04	0503010118	32218 ROLLER BEARING		02
05	0531019986	64 X 110 X 9.5 FLAT WASHER		01
06	0502040080	2.1/2" SLOTTED NUT		01
07	0503012213	1/4" COTTERPIN		01
08	0503013548	DUST CAP		01
09	0503013546	10 X 1.5 X 20MM BOLT		04
10	0503013542	M10 SPRING WASHER		04
11	0503013541	SEAL		01
12	0503013549	HUB CUP		01



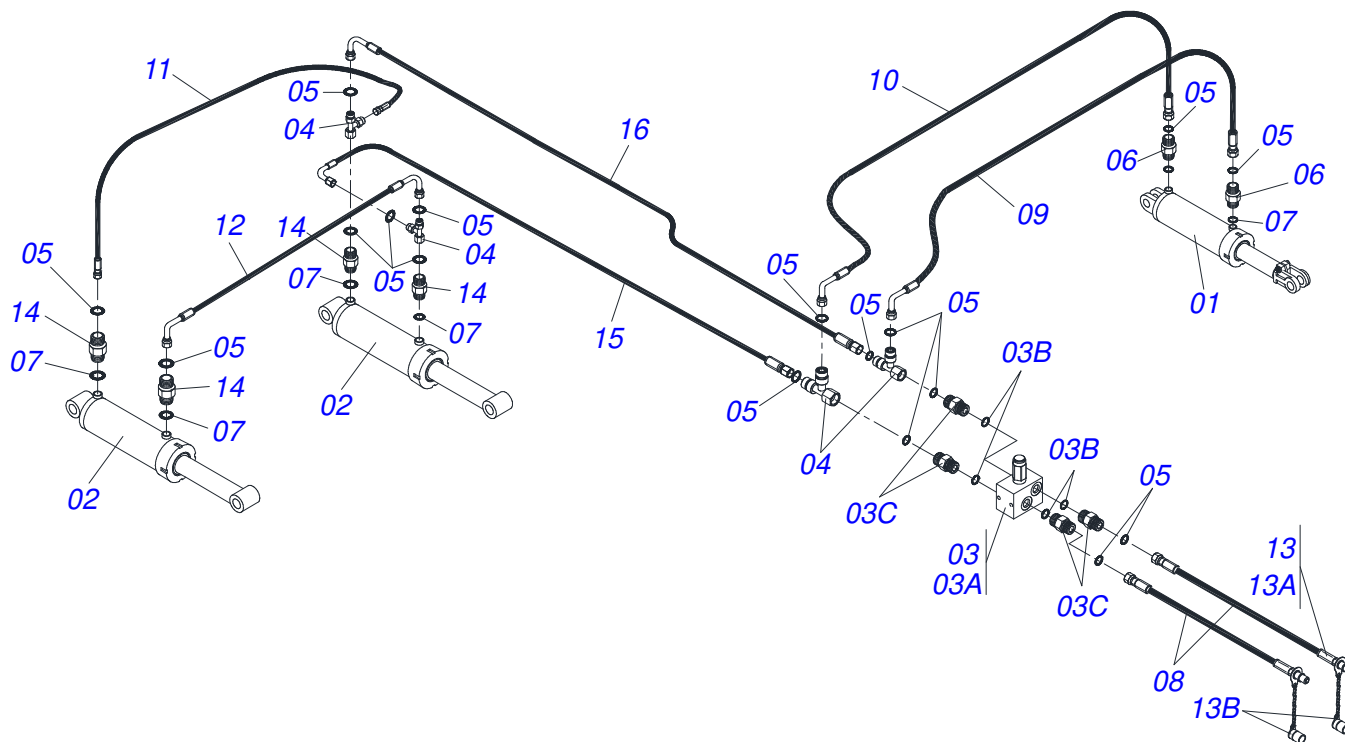
Item	Code	Description	See page	QT
01	0503062227	DRAWBAR JACK		01



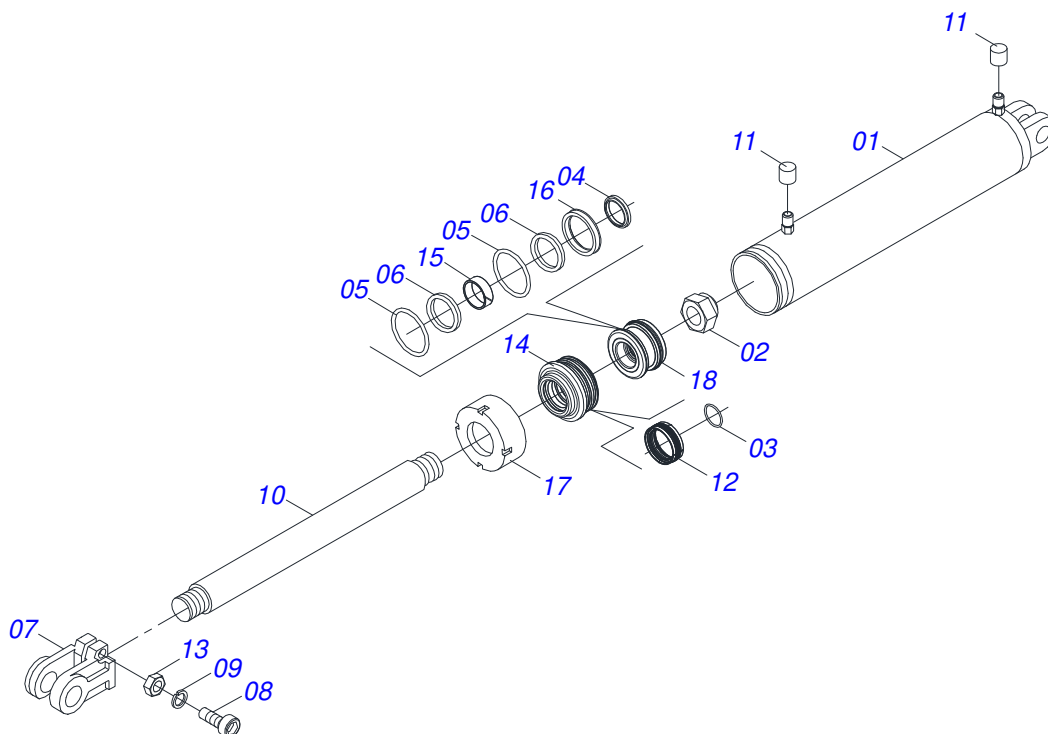
Item	Code	Description	See page	QT
01	0511048619	HYDRAULIC CYLINDER	10	02
02	0511058419	HYDRAULIC CYLINDER 50,80 X 101,60 X 514 X 206	9	01
03	0521062967	OIL TUBE DISTRIBUTOR		01
04	0511051627	FLOW DIVIDING VALVE		01
04A	0503016227	FLOW DIVIDING VALVE		01
04B	0571010736	NIPPLE R1.1/16 UN X 13/16UN OFS		03
04C	0503011109	2-119 N 3006-9B O'RING		03
05	0501055696	DISCHARGE VALVE OFS ASSY		01
05A	0503010919	DISCHARGE VALVE		01
05B	0503010190	2-114 N 3006-9B O'RING		04
05C	0503030923	3/4" UNF X 13/16UN OFS X 40 NIPPLE		04
06	0503011053	5/16" X 3" C S 6.5 ZN BOLT		02
07	0503010179	5/16" ZN SPRING WASHER		02
08	0503010337	5/16" NUT		02
09	0503010237	3/8" X 1" BOLT		02
10	0503010025	3/8" SPRING WASHER		02
11	0501081707	1/2" X 1000 TC-TR OFS HOSE		01
12	0501081708	1/2" X 2300 TR-TR OFS HOSE		02
13	0501081115	1/2" X 1330 TC-TR HOSE ASSY		03
14	0501081116	1/2 X 1630 TC-TC HOSE ASSY		02
15	0501080917	1/2" X 5500 TR-TM HOSE ASSY		02
16	0503011030	2-014 N 3006-9B O'RING		21
17	0503030923	3/4" UNF X 13/16UN OFS X 40 NIPPLE		08
18	0503010190	2-114 N 3006-9B O'RING		06
19	0503013637	T 1/2" MALE ADAPTER		03
20	0503032031	3/4" UNF REDUCTION NIPPLE		02
21	0501053834	MALE QUICK COUPLER WITH CAP - 1/2 NPT		02
21A	0503011627	MALE QUICK COUPLER AGR 1/2 NPT		01
21B	0503011882	MALE QUICK COUPLER CAP		01



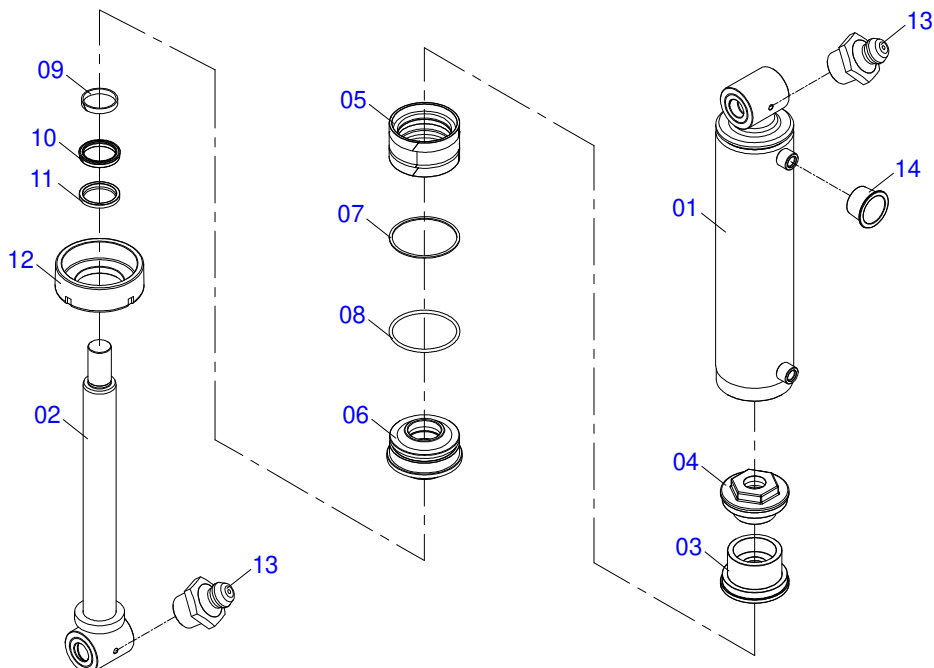
Item	Code	Description	See page	QT
01	0511058419	HYDRAULIC CYLINDER 50,80 X 101,60 X 514 X 206	9	01
02	0511048619	HYDRAULIC CYLINDER	10	02
03	0503013637	T 1/2" MALE ADAPTER		04
04	0503011030	2-014 N 3006-9B O'RING		12
05	0503032031	3/4" UNF REDUCTION NIPPLE		02
06	0503010190	2-114 N 3006-9B O'RING		06
07	0503030923	3/4" UNF X 13/16UN OFS X 40 NIPPLE		04
08	0501080917	1/2" X 5500 TR-TM HOSE ASSY		02
09	0501080990	1/2 X 185" TR-TR HOSE ASSY		01
10	0501080989	1/2 X 15.4" TR-TR HOSE ASSY		01
11	0501080986	1/2" X 55.12" TR-TC HOSE ASSY		01
12	0501081620	1/2" X 1700 TC-TC HOSE		01
13	0501053834	MALE QUICK COUPLER WITH CAP - 1/2 NPT		02
13A	0503011627	MALE QUICK COUPLER AGR 1/2 NPT		02
13B	0503011882	MALE QUICK COUPLER CAP		02



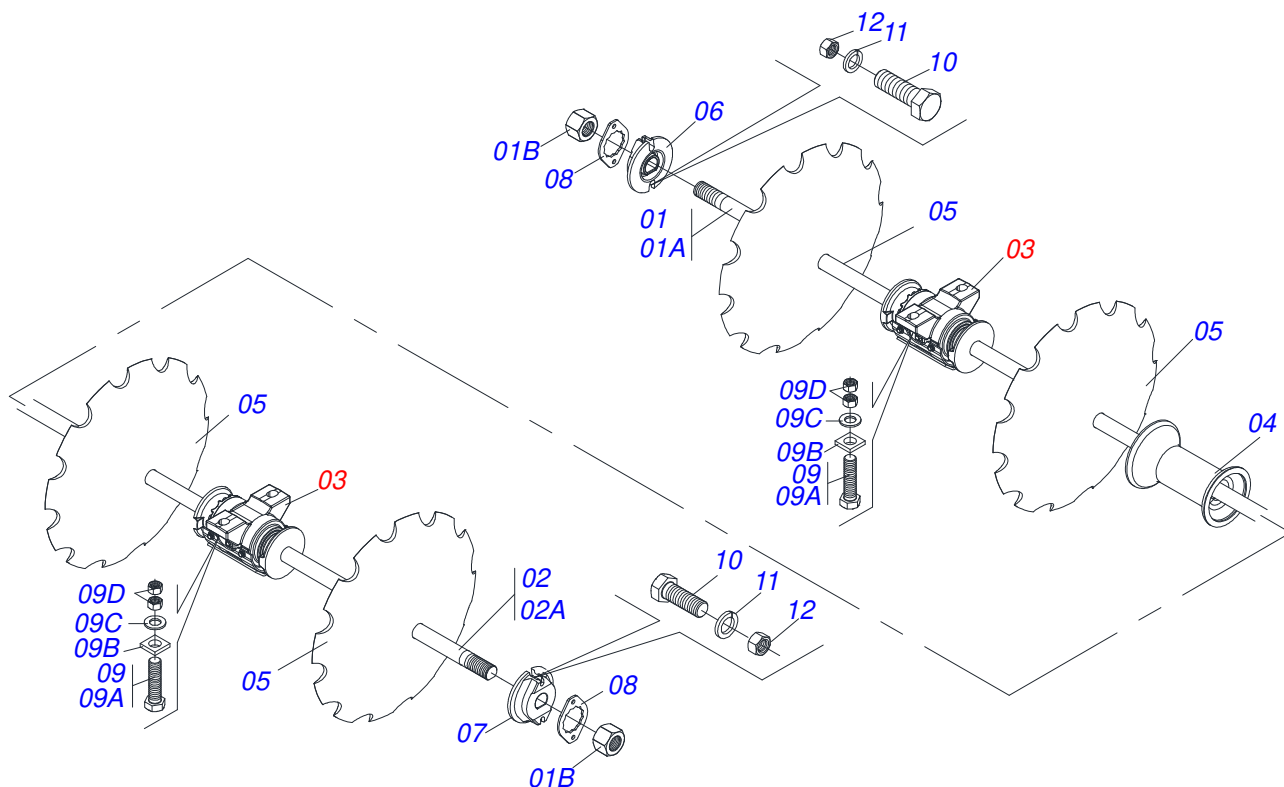
Item	Code	Description	See page	QT
01	0511058419	HYDRAULIC CYLINDER 50,80 X 101,60 X 514 X 206	9	01
02	0511048619	HYDRAULIC CYLINDER	10	02
03	0501055696	DISCHARGE VALVE OFS ASSY		01
03A	0503010919	DISCHARGE VALVE		01
03B	0503010190	2-114 N 3006-9B O'RING		04
03C	0503030923	3/4" UNF X 13/16UN OFS X 40 NIPPLE		04
04	0503013637	T 1/2" MALE ADAPTER		04
05	0503011030	2-014 N 3006-9B O'RING		16
06	0503032031	3/4" UNF REDUCTION NIPPLE		02
07	0503010190	2-114 N 3006-9B O'RING		06
08	0501080917	1/2" X 5500 TR-TM HOSE ASSY		02
09	0501081935	1/2 X 4700 TR-TC TERM OFS HOSE		01
10	0501081075	1/2" X 4000 TR-TC HOSE ASSY		01
11	0501081114	1/2 X 1330 TR-TR HOSE ASSY		01
12	0501081620	1/2" X 1700 TC-TC HOSE		01
13	0501053834	MALE QUICK COUPLER WITH CAP - 1/2 NPT		02
13A	0503011327	3/4" X 2" BOLT		02
13B	0503011882	MALE QUICK COUPLER CAP		02
14	0503030923	3/4" UNF X 13/16UN OFS X 40 NIPPLE		04
15	0501081115	1/2" X 1330 TC-TR HOSE ASSY		01
16	0501081707	1/2" X 1000 TC-TR OFS HOSE		01



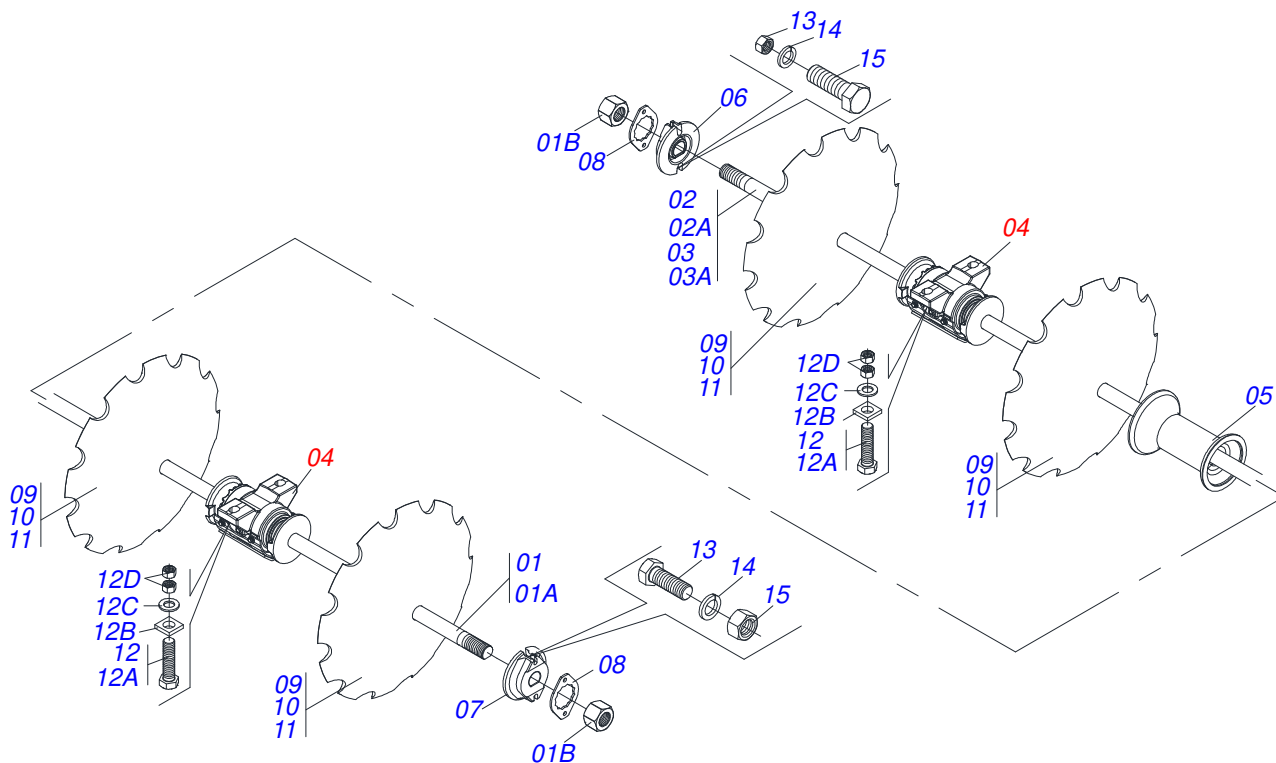
Item	Code	Description	See page	QT
001	0511061336	101,6 X 398 CYLINDER CASE		01
002	0503010817	1.1/4" SELF LOCKING NUT		01
003	0503010345	2-218 N 3006-9B O'RING		01
004	0503015636	SCRAPER SEAL		01
005	0503010338	2-342 N 3006-9B O'RING		02
006	0503011061	8-342 BACK-UP RING		02
007	0502040747	32.54 CLEVIS CLAMP		01
008	0503011094	3/8" X 2" BOLT		01
009	0503011443	3/8" SPRING WASHER		01
010	0521010422	HYDRAULIC CYLINDER TURNBUCKLE		01
011	0503030384	CON PLUG N-001		02
012	0503015633	SELEMASTER SEALING		01
013	0503010026	3/8" NUT		01
014	0581010678	50,80 X 101 RING SUPPORT		01
015	0503018025	RING GUIDE		01
016	0503018026	1870-2000-375 B GASKET		01
017	0502012822	101.60 END CAP		01
018	0502012842	50,80 X 101,60 PISTON		01
019	0511032511R	HYDRAULIC CYLINDER REPAIR KIT		01



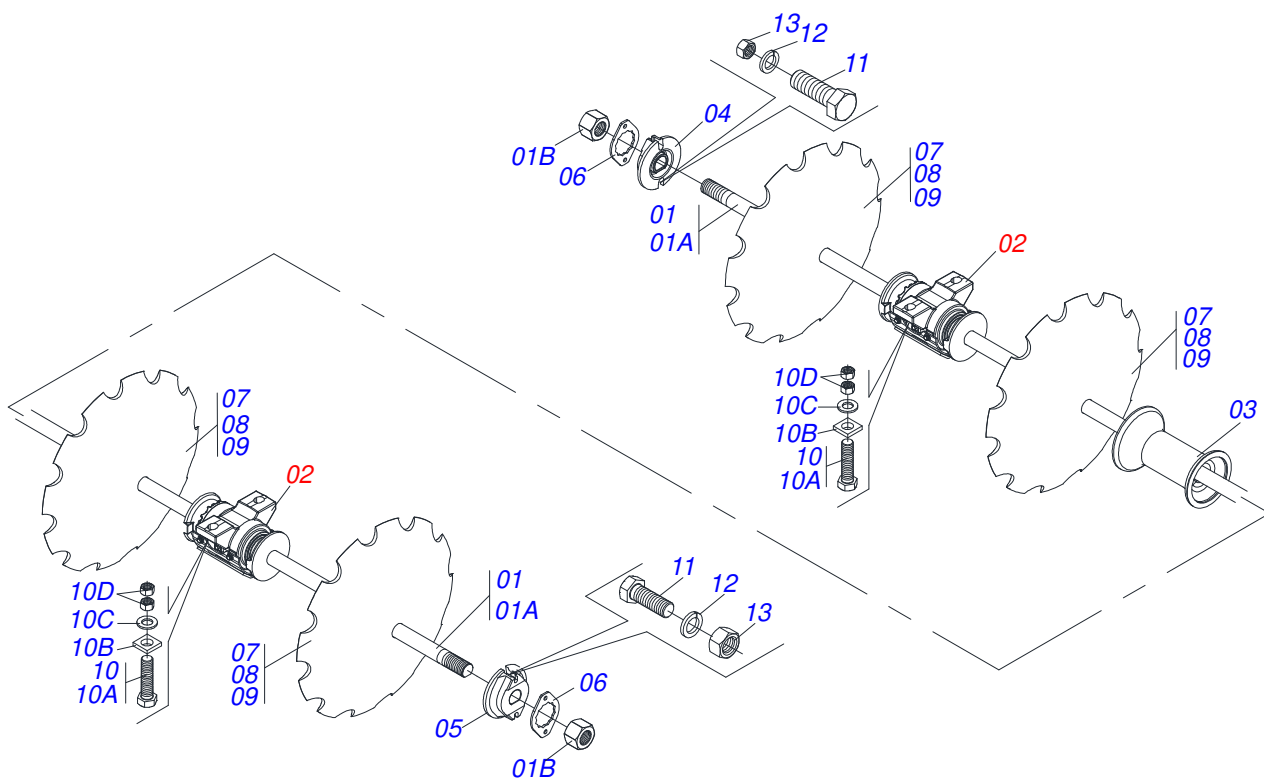
Item	Code	Description	See page	QT
01	0521061685	114,30 X 500 CYLINDER CASE		01
02	0521061684	56,98 X 590,50 TURNBUCKLE		01
03	0561016578	PISTON BODY		01
04	0502012643	PISTÓN BODY		01
05	0503015640	SEALING SELEMASTER		01
06	0502012644	RING SUPPORT		01
07	0503011893	BACK-UP RING, 8-346		01
08	0503011892	O' RING, 2-346 N 3006-9B		01
09	0503015641	WEAR RING		01
10	0503015642	U-CUP SEALING		01
11	0503015715	SCRAPER SEALING		01
12	0502011222	0.56" END CAP		01
13	0503010002	1800 GREASE FITTING		02
14	0503030384	CON PLUG N-001		02
15	0521041339	HYDRÁULIC CYLINDER REPAIR KIT		



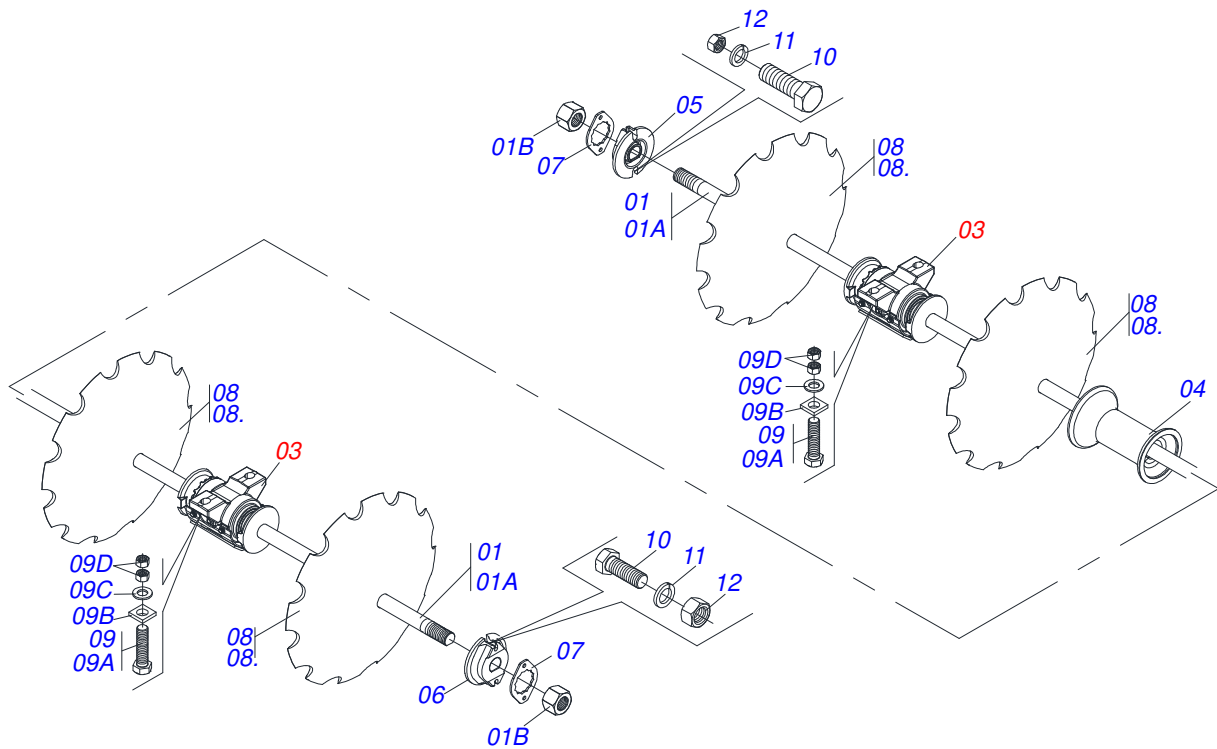
Item	Code	Description	See page	QT
01	0501040693	2-1/2" X 63" AXLE WITH NUTS		02
01A	0501010358	2-1/2" X 63" AXLE		02
01B	0502040064	2.1/2"SNC X 70 99 NUT		08
02	0501040690	2-1/2" X 80" AXLE WITH NUTS		02
02A	0501010357	2-1/2" X 80" AXLE		02
03	0521041291	OIL 430 X 2.1/2 BEARING ASSY	16	08
04	0502012220	2-1/2" X 17" SPACER		06
05	0602048051	36" X 12MM NOTCHED DISC BLADE		18
06	0502010592	2-1/2" INNER AXLE WASHER		04
07	0502010593	2-1/2" EXTERNAL AXLE WASHER		04
08	0541010368	NUT LOCK		08
09	0501041301	1-1/4"X 5-3/4" ASSY BOLT		16
09A	0501010954	1-1/4" X 5-3/4" BOLT		16
09B	0501010953	1-1/4" SQUARE WASHER		16
09C	0531010713	FLAT WASHER		16
09D	0501010087	1.1/4" NUT		32
10	0503010232	5/8" X 1.3/4" BOLT		16
11	0503010027	5/8" SPRING WASHER		16
12	0503010013	5/8" NUT		16



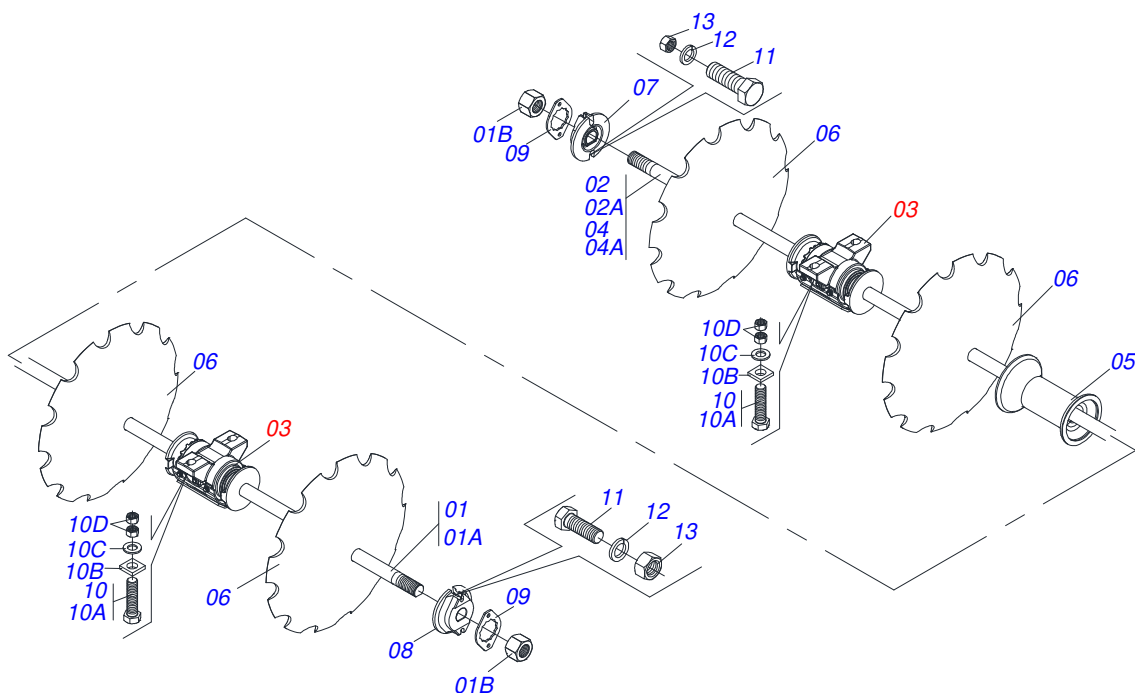
Item	Code	Description	See page	12 14 16
01	0501040691	2-1/2" X 97" AXLE WITH NUTS		02 00 00
01A	0501010356	2-1/2" X 97" AXLE		02 00 00
01B	0502040064	2.1/2"SNC X 70 99 NUT		04 04 08
02	0501040692	2-1/2" X 115" AXLE WITH NUTS		00 02 00
02A	0501010355	2-1/2" X 115" AXLE		00 02 00
03	0501040693	2-1/2" X 63" AXLE WITH NUTS		00 00 04
03A	0501010358	2-1/2" X 63" AXLE		00 00 04
04	0521041291	OIL 430 X 2.1/2 BEARING ASSY	16	04 06 08
05	0502012220	2-1/2" X 17" SPACER		06 06 04
06	0502010592	2-1/2" INNER AXLE WASHER		02 02 04
07	0502010593	2-1/2" EXTERNAL AXLE WASHER		02 02 04
08	0541010368	NUT LOCK		04 04 08
09	0602050002	39 X 12 NOTCHED DISC BLADE		12 14 00
09.	0602048002	36" X 0.5" NOTCHED DISC BLADE		12 14 00
10	0602051017	NOTCHED DISK		00 00 16
11	0602048062	36 X 12MM NOTCHED DISC		00 00 16
12	0501041301	1-1/4"X 5-3/4" ASSY BOLT		08 12 16
12A	0501010954	1-1/4" X 5-3/4" BOLT		08 12 16
12B	0501010953	1-1/4" SQUARE WASHER		08 12 16
12C	0531010713	FLAT WASHER		08 12 16
12D	0501010087	1.1/4" NUT		16 24 32
13	0503010232	5/8" X 1.3/4" BOLT		08 08 16
14	0503010027	5/8" SPRING WASHER		08 08 16
15	0503010013	5/8" NUT		08 08 16



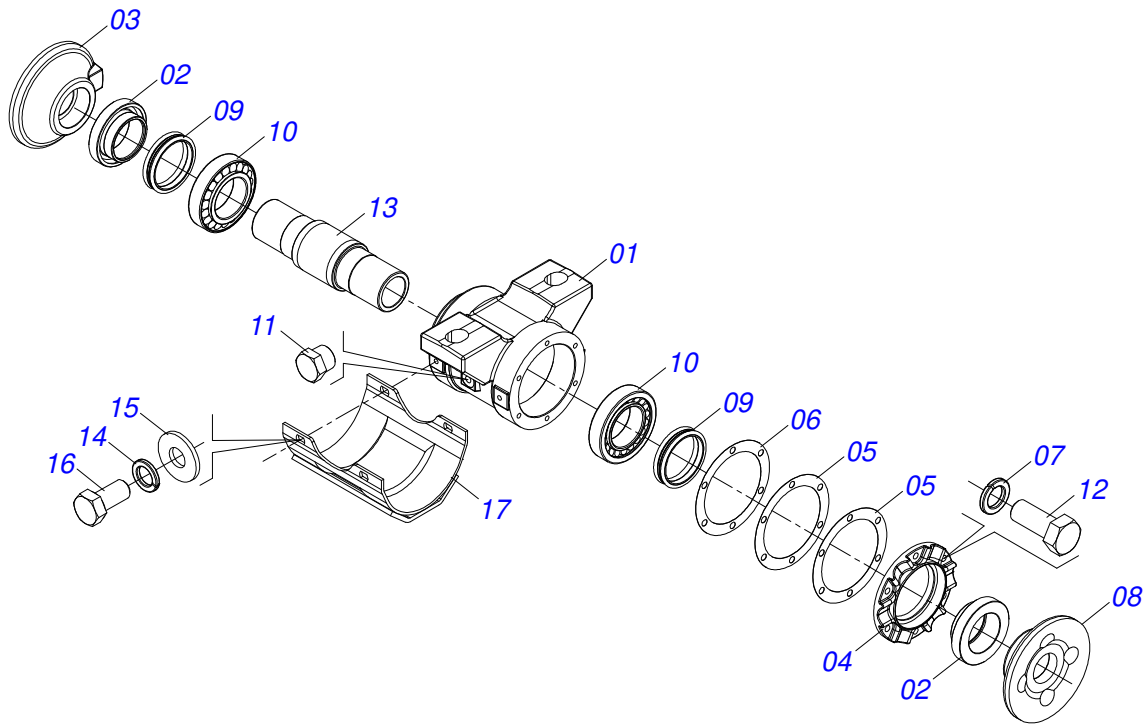
Item	Code	Description	See page	QT
01	0501040690	2-1/2" X 80" AXLE WITH NUTS		04
01A	0501010357	2-1/2" X 80" AXLE		04
01B	0502040064	2.1/2"SNC X 70 99 NUT		08
02	0521041291	OIL 430 X 2.1/2 BEARING ASSY	16	08
03	0502012220	2-1/2" X 17" SPACER		08
04	0502010592	2-1/2" INNER AXLE WASHER		04
05	0502010593	2-1/2" EXTERNAL AXLE WASHER		04
06	0541010368	NUT LOCK		08
07	0602048051	36" X 12MM NOTCHED DISC BLADE		20
08	0602050002	39 X 12 NOTCHED DISC BLADE		20
09	0602051003	40" X 12MM NOTCHED DISC BLADE		20
10	0501041301	1-1/4"X 5-3/4" ASSY BOLT		16
10A	0501010954	1-1/4" X 5-3/4" BOLT		16
10B	0501010953	1-1/4" SQUARE WASHER		16
10C	0531010713	FLAT WASHER		16
10D	0501010087	1.1/4" NUT		32
11	0503010232	5/8" X 1.3/4" BOLT		16
12	0503010027	5/8" SPRING WASHER		16
13	0503010013	5/8" NUT		16



Item	Code	Description	See page	QT
01	0501040690	2-1/2" X 80" AXLE WITH NUTS		02
01A	0501010357	2-1/2" X 80" AXLE		02
01B	0502040064	2.1/2"SNC X 70 99 NUT		08
02	0501040691	2-1/2" X 97" AXLE WITH NUTS		02
02A	0501010356	2-1/2" X 97" AXLE		02
03	0521041291	OIL 430 X 2.1/2 BEARING ASSY	16	08
04	0502012220	2-1/2" X 17" SPACER		10
05	0502010592	2-1/2" INNER AXLE WASHER		04
06	0502010593	2-1/2" EXTERNAL AXLE WASHER		04
07	0541010368	NUT LOCK		08
08	0602048002	36" X 0.5" NOTCHED DISC BLADE		22
08.	0602050002	39 X 12 NOTCHED DISC BLADE		22
09	0501041301	1-1/4"X 5-3/4" ASSY BOLT		16
09A	0501010954	1-1/4" X 5-3/4" BOLT		16
09B	0501010953	1-1/4" SQUARE WASHER		16
09C	0531010713	FLAT WASHER		16
09D	0501010087	1.1/4" NUT		32
10	0503010232	5/8" X 1.3/4" BOLT		16
11	0503010027	5/8" SPRING WASHER		16
12	0503010013	5/8" NUT		16



Item	Code	Description	See page	24	26	28	30	32	34	36
01	0521044750	AXLE WITH NUTS		04	02	00	00	02	04	06
01A	0571017335	AXLE		04	02	00	00	02	04	06
01B	0502040064	2-1/2"SNC X 70 99 NUT		08	08	08	12	12	12	12
02	0501040690	2-1/2" X 80" AXLE WITH NUTS		00	00	00	06	04	02	00
02A	0501010357	2-1/2" X 80" AXLE		00	00	00	06	04	02	00
03	0521041291	OIL 430 X 2.1/2 BEARING ASSY	16	08	08	08	12	12	12	12
04	0521044749	AXLE WITH NUTS		00	02	04	00	00	00	00
04A	0571017336	AXLE		00	02	04	00	00	00	00
05	0502012220	2-1/2" X 17" SPACER		12	14	16	12	14	16	18
06	0602048062	36 X 12MM NOTCHED DISC		24	26	28	30	32	34	36
07	0502010592	2-1/2" INNER AXLE WASHER		04	04	04	06	06	06	06
08	0502010593	2-1/2" EXTERNAL AXLE WASHER		04	04	04	06	06	06	06
09	0541010368	NUT LOCK		08	08	08	06	12	12	12
10	0501041301	1-1/4"X 5-3/4" ASSY BOLT		16	16	16	16	16	16	16
10A	0501010954	1-1/4" X 5-3/4" BOLT		16	16	16	16	16	16	16
10B	0501010953	1-1/4" SQUARE WASHER		16	16	16	16	16	16	16
10C	0531010713	FLAT WASHER		16	16	16	16	16	16	16
10D	0501010087	1.1/4" NUT		32	32	32	32	32	32	32
11	0503010232	5/8" X 1.3/4" BOLT		16	16	16	24	24	24	24
12	0503010027	5/8" SPRING WASHER		64	68	72	84	88	92	96
13	0503010013	5/8" NUT		68	72	76	88	92	96	100



Item	Code	Description	See page	QT
01	0502012415	HOUSING BEARING		01
02	0502040119	SEAL RETAINER		02
03	0502040165	INNER FLANGE		01
04	0502010644	HOUSING CAP DM		01
05	0503030537	8.3" X 6.3" X 0.01" JOINT		02
06	0503030687	8.3" X 6.3" X 0.004" JOINT		01
07	0503011440	SPRING WASHER		06
08	0502040164	OUTER FLANGE		01
09	0503030029	SEAL # LP JB-259		02
10	0503013243	32218 ROLLER BEARING		02
11	0503010856	OIL PLUG		02
12	0503010920	1/2" X 1.1/2" BOLT		06
13	0502040039	AXLE		01
14	0511017302	FLAT WASHER		04
15	0503010019	1/2" SPRING WASHER		04
16	0503010834	1/2 X 1 BOLT		04
17	0521062889	PROTECTION CAP		01
18	3402301247	MINERAL OIL GREASE		01



www.marchesan.com.br



Technical Publications | Elaboration and Revision
JOSÉ DOMINGOS GASPARI