

HINGE TYPE OFFSET DISK HARROW

GNACR - 64/72/84/96/108D

Code: 0501091189

Series: S-1014

Revision: 00

Date Revision: AGOSTO/2022

PARTS CATALOGUE



MARCHESAN



PRODUCTS

Code	Description
0102550033	GNACR 108 X 22 X 6,0 DM DR 400/60 C/PROT S-1014
0102550029	GNACR 108X22X4,5 DR 400/60 S-1014
0102550026	GNACR 108X22X4,5L/R 400/60 S-1014
0102550032	GNACR 108X24X6 DR DM C/P E 1.1/2 P400/60 ESP S1014
0102550035C	GNACR 64X22X4,5 DR DM E 1.1/2 PN11L15 EXP S-1014
0102550035	GNACR 64X22X4,5 DR DM E 1.1/2 PN11L15 S-1014
0102550022	GNACR 64X22X4,5 MT P 11L15 S-1014
0102550023C	GNACR 72 X 22 X 4,5MT P11L15 EXP S-1014
0102550023	GNACR 72 X 22 X 4,5MT P11L15 S-1014
0102550036C	GNACR 72X22X4,5 DR DM E 1.1/2 PN11L15 EXP S-1014
0102550036	GNACR 72X22X4,5 DR DM E 1.1/2 PN11L15 S-1014
0102550030C	GNACR 84 X 22 X 4,5 DR P11L15 EXP S-1014
0102550030	GNACR 84 X 22 X 4,5 DR P11L15 S-1014
0102550024	GNACR 84 X 22 X 4,5MT P11L15 S-1014
0102550024C	GNACR 84X22X4,5 MT DM E 1.1/2 P11L15 EXP S-1014
0102550031	GNACR 96X22X4,5 DR DM E 1.1/2 P 400/60 S-1014
0102550025	GNACR 96X22X4,5 L/R 400/60 S-1014
0102550034	GNACR 96X22X6,00 DR DM E 1.1/2 PN 400/60 S-1014

ATTENTION: IMPORTANT

Marchesan S.A. reserves the right to improve and/or modify the technical features of its products, without obligation to do the same with those products already sold and without prior knowledge of the dealer or the customer. The photos are only illustrative.

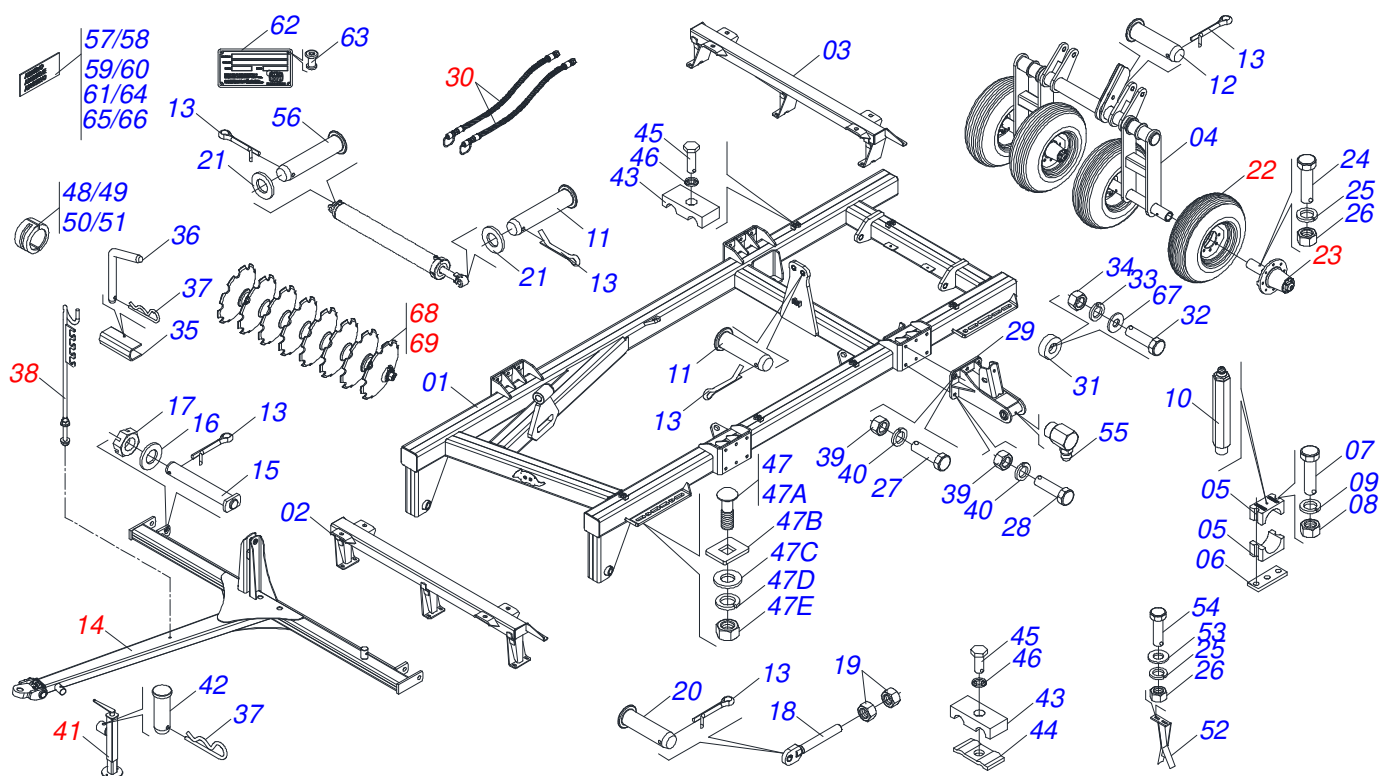


MARCHESAN

INDEX

0909090669	CENTRAL FRAME	1
0503060414	WHEEL AND TIRE	2
0501051885	CARRYING-WHEELS	3
0909090675	64/72/84D HYDRAULIC CIRCUIT	4
0521040738	HYDRAULIC CYLINDER 50,8 X 127 X 965 X 623	5
0521045633	HYDRAULIC CYLINDER 53,98 X 101,60 X 515 X 205	6
0511045694	44,45 X 85,7 X 515 X 203 HYDRAULIC CYLINDER	7
0501053834	MALE QUICK COUPLER	8
0521044444	HYDRAULIC CILINDER	9
0501040257	ASSY 3/4 X 975 HOSE SUPPORT	10
0511048088	DRAWBAR JACK	11
0909094412	SCTION 64 DISCS FRONT	12
0909094413	SECTION 64 REAR DISCS	13
0909094414	SECTION 72 DISCS FRONT	14
0909094415	SECTION 72 REAR DISCS	15
0909094416	SECTION 84 DISCS FRONT	16
0909094417	SECTION 84 REAR DISCS	17
0909090670	RIGHT SIDE FRAME 72/84 D.	18
0503060181	WHEEL AND TIRE	19
0511045580	CARRYING WHEEL HUB ASSY	20
0909090671	FRAME RIGHT SIDE 64/72/84D	21
0909090672	FRAME RIGHT SIDE 96/108D.	22
0521044459	DRAWBAR ASSY	23
0503060102	WHEEL AND TIRE	24
0909090673	96/108D RIGHT SIDE FRAME	25
0909090674	LEFT SIDE FRAME	26
0909090676	HYDRAULIC CIRCUIT 96/108	27
0909094418	SECTION 96 DISCS FRONT	28
0909094419	SECTION 96 REAR DISCS	29
0909094420	SECTION 108 DISCS FRONT	30
0909094421	SECTION 108 REAR DISCS	31
0511040472	AGRICULTURAL BEARING	32

CENTRAL FRAME



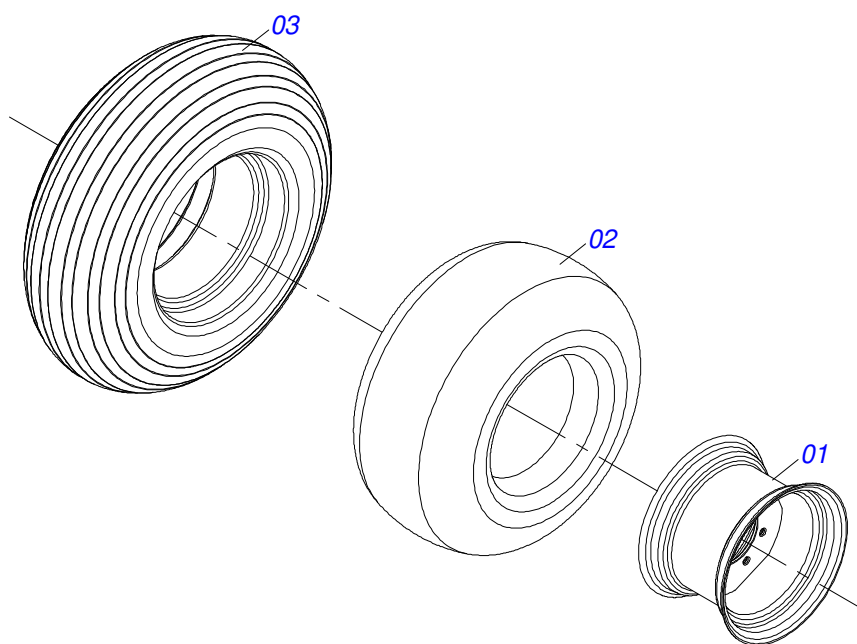
Item	Code	Description	See page	64	72	84
00	0511056672	64/72/84 HYDRAULIC CIRCUIT		01	01	01
01	0521065484	FRAME CENTER		01	01	01
02	0521065492	REAR FRAME		01	00	00
02.	0521065518	REAR FRAME		00	01	00
02..	0521065540	REAR FRAME		00	00	01
03	0521065498	REAR FRAME CENTRAL		01	00	00
03.	0521065520	REAR FRAME CENTRAL		00	01	00
03..	0521065534	GNACR 84 REAR FRAME CENTRAL		00	00	01
04	0521065485	SQUARE WHEELS CENTRAL		01	01	01
05	0502010673	BEARING SEMI		04	04	04
06	0501015593	SUPPORT PLATE		02	02	02
07	0501010064	1" X 9" BOLT		04	04	04
08	0501010059	1.5/8 NUT		04	04	04
09	0503010012	1" SPRING WASHER		04	04	04
10	0503010829	GREASE FITTING		02	02	02
11	0521012538	1.2" X 3.5" COUPLING SHAFT		03	03	03
12	0521010547	1.2" X 6.5" COUPLING SHAFT		02	02	02
13	0503010010	1/4" X 2.1/2" COTTERPIN		10	10	10
14	0521063033	DRAWBAR		01	01	01
15	0521062959	38,1 X 265 AXLE		02	02	02
16	0501010237	FLAT WASHER		02	02	02
17	0501011301	1.1/2 UNC 6FPP 2.5/16 NUT		03	03	03
18	0511064433	REGULATOR SPINDLE 1-3/4		01	01	01
19	0501010333	1.3/4" NUT		02	02	02
20	0521010780	1.2" X 4.5" COUPLING SHAFT		01	01	01
21	0501017779	32 X 60 X 4.75 FLAT WASHER		02	02	02
22	0503060414	WHEEL AND TIRE	2	04	04	04
22.	0503060181	WHEEL AND TIRE	19	02	02	02
23	0501051885	CARRYING-WHEELS	3	04	04	04
24	0503010706	BOLT 1/2 UNC X 4.1/2 C S G.5 ZN		04	04	04
25	0503010019	1/2" SPRING WASHER		40	40	40



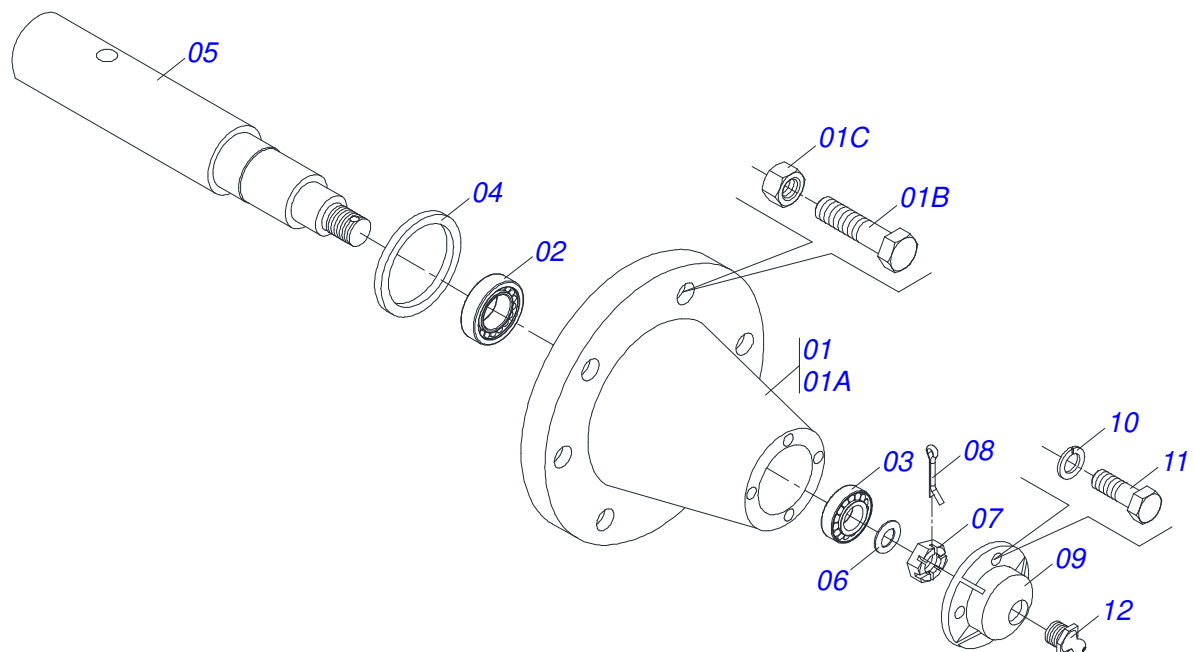
CENTRAL FRAME

0909090669

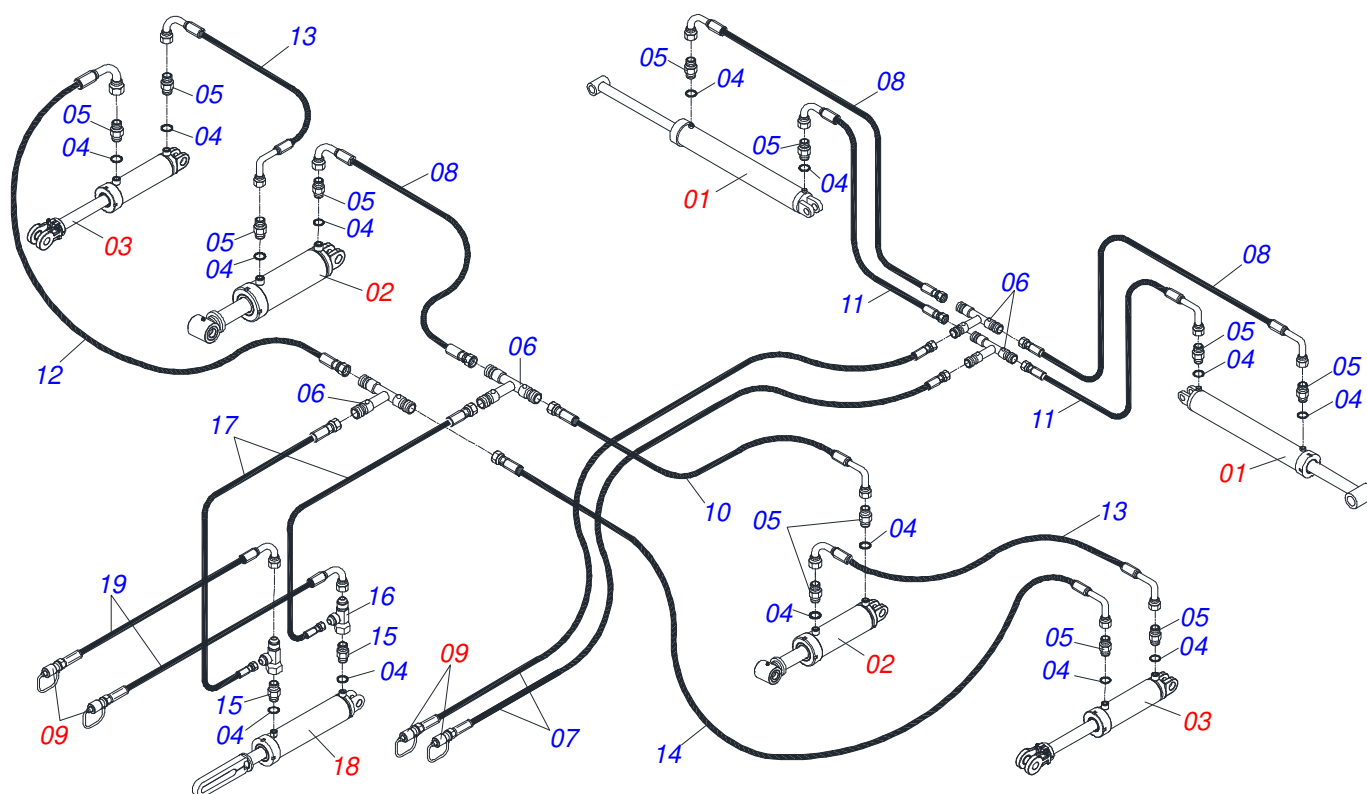
Item	Code	Description	See page	64	72	84
26	0503010060	1/2 UNC G.5 ZN HEX NUT		40	40	40
27	0501010500	3/4"X3"BOLT		12	12	12
28	0501010098	3/4" UNC BOLT		12	12	12
29	0521063017	ARTICULATION FRAME SIDE		04	04	04
30	0909090675	64/72/84D HYDRAULIC CIRCUIT	4	01	01	01
31	0521011481	FRAME BATTERY		04	04	04
32	0501010100	SCREW 5/8 UNC X 2 CS G.5 ZN		04	04	04
33	0503010027	5/8 SPRING WASHER		04	04	04
34	0503010013	5/8 NUT		04	04	04
35	0551019515	LATCH SHIPPING		02	02	02
35.	0551010332	TRANSPORT LOCK		01	01	01
36	0541016844	FIXER LOCK		02	02	02
37	0503030285	HITCH PIN CLIP		03	03	03
38	0501040257	ASSY 3/4 X 975 HOSE SUPPORT	10	01	01	01
39	0503010014	3/4" HEX NUT		26	26	26
40	0503010023	3/4" SPRING WASHER		24	24	24
41	0511048088	DRAWBAR JACK	11	01	01	01
42	0561014251	COUPLING SHAFT		01	01	01
43	0502012702	BODY SUPPORT CLAMP		11	11	11
44	0531011180	UPPER BODY CLIP		03	03	03
45	0503012555	SCREW 7/16 UNC X 2 CS RT G.7 ZN		11	11	11
46	0503010180	7/16" SPRING WASHER		12	12	12
47	0501040877	C1" X 3-1/4" ASSY BOLT		08	08	08
47A	0501014309	C1" X 3-1/4" BOLT		08	08	08
47B	0501010951	1" SQUARE WASHER		08	08	08
47C	0501010065	1" SPRING WASHER		08	08	08
47D	0503011438	SPRING WASHER		08	08	08
47E	0501010059	1.5/8 NUT		08	08	08
48	0501047895	25 ROD STOP		04	04	04
49	0501047885	30 ROD STOP		04	04	04
50	0501047886	35 ROD STOP		04	04	04
51	0501047887	40 ROD STOP		04	04	04
52	0511060204	CLEANER		18	18	18
53	0501010937	13,50 X 28 X 3,00 FLAT WASHER		36	36	36
54	0503010920	1/2 UNC X 1.1/2 C S G.5 ZN BOLT		36	36	36
55	0503010004	1890 GREASE FITTING		04	04	04
56	0511010174	1.2" X 5.9" COUPLING SHAFT		02	02	02
57	0503031087	ADHESIVE LABEL		03	03	03
58	0503031428	READ MANUAL DECAL		01	01	01
59	0503033038	DANGER SIGN		03	03	03
60	0503031738	ADHESIVE LABEL		02	02	02
61	0503031896	DANGER DECAL		01	01	01
62	0503034003	SERIAL NUMBER TAG 61 X 118		01	01	01
63	0503010001	3.2 X 5.5 RIVET		04	04	04
64	0503031739	ADHESIVE LABEL		01	01	01
65	0503033987	ADHESIVE LABEL		02	02	02
66	0503033795	ADHESIVE LABEL		02	02	02
67	0571013284	17.5 X 90 X 4.75 FLAT WASHER		08	08	08
68	0909094412	SECTION 64 DISCS FRONT	12	01	00	00
68.	0909094414	SECTION 72 DISCS FRONT	14	00	01	00
68..	0909094416	SECTION 84 DISCS FRONT	16	00	00	01
69	0909094413	SECTION 64 REAR DISCS	13	01	00	00
69.	0909094415	SECTION 72 REAR DISCS	15	00	01	00
69..	0909094417	SECTION 84 REAR DISCS	17	00	00	01



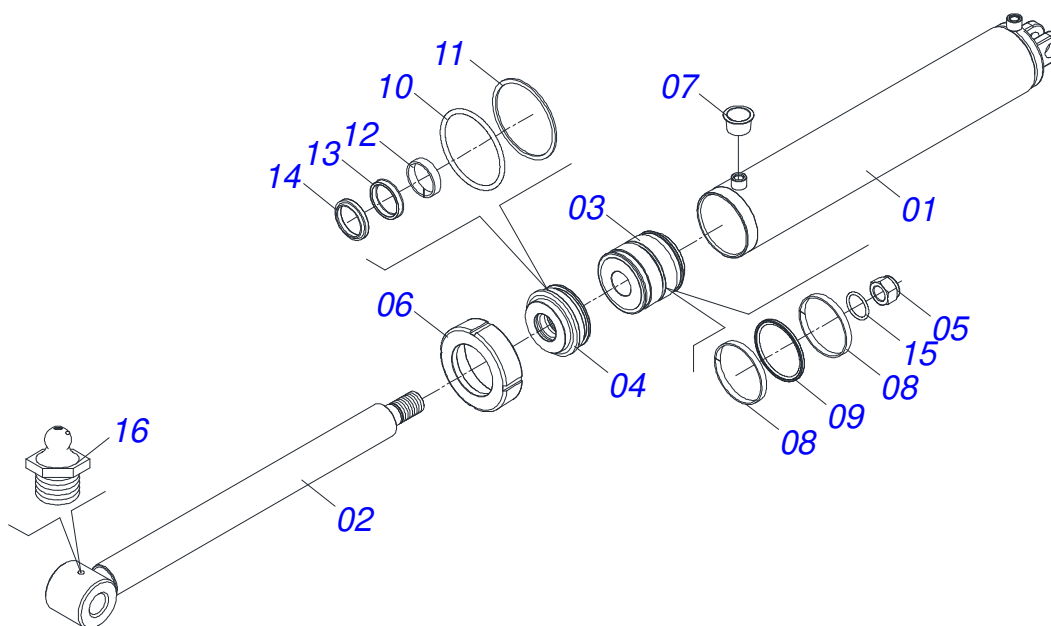
Item	Code	Description	See page	QT
01	0503012108	WHEEL 10 LB X 15 X 8F X 203		01
02	0503010860	AIR CHAMBER 11L 15		01
03	0503011469	RIB TIRE BL - 12L		01



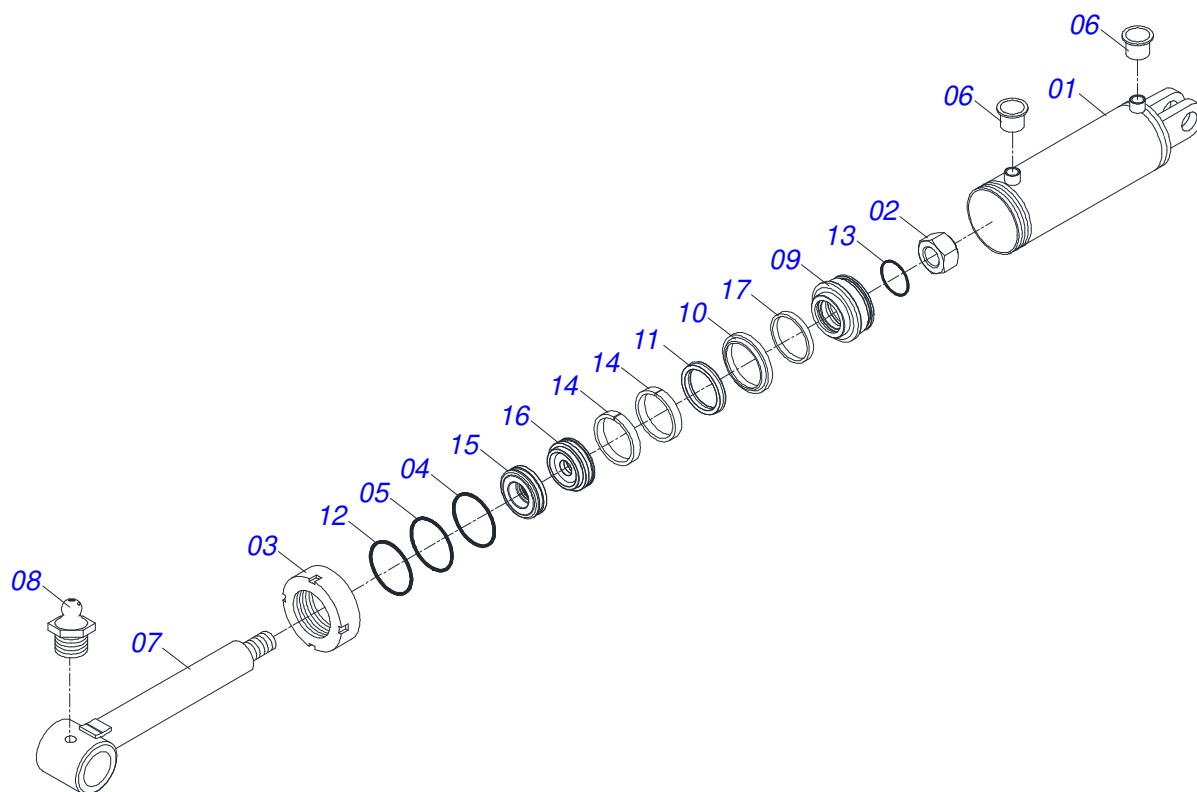
Item	Code	Description	See page	QT
01	0501110738	CARRYING WHEEL HUB		01
01A	0502012260	TRANSPORT WHEEL BOX		01
01B	0503010064	5/8 UNF CONIC NUT		08
01C	0501010186	WHEEL SCREW 5/8UNF X 2.1/8CR		08
02	0503011156	ROLAMENTO 2780/2720 IMP		01
03	0503010008	3780/3720 ROLLER BEARING		01
04	0503013314	RETAINER 5166-GB 63,5 X 110 X 13 ARCA		01
05	0511012494	SPINDLE		01
06	0511012492	FLAT WASHER		01
07	0503030009	1" CASTLE NUT		01
08	0503010018	5/32 X 1-1/2 COTTERPIN		01
09	0502020591	PROTECCION COVER		01
10	0503011444	SPRING WASHER		04
11	0503010358	5/16" X 5/8" BOLT		04
12	0503010002	1800 GREASE FITTING		01



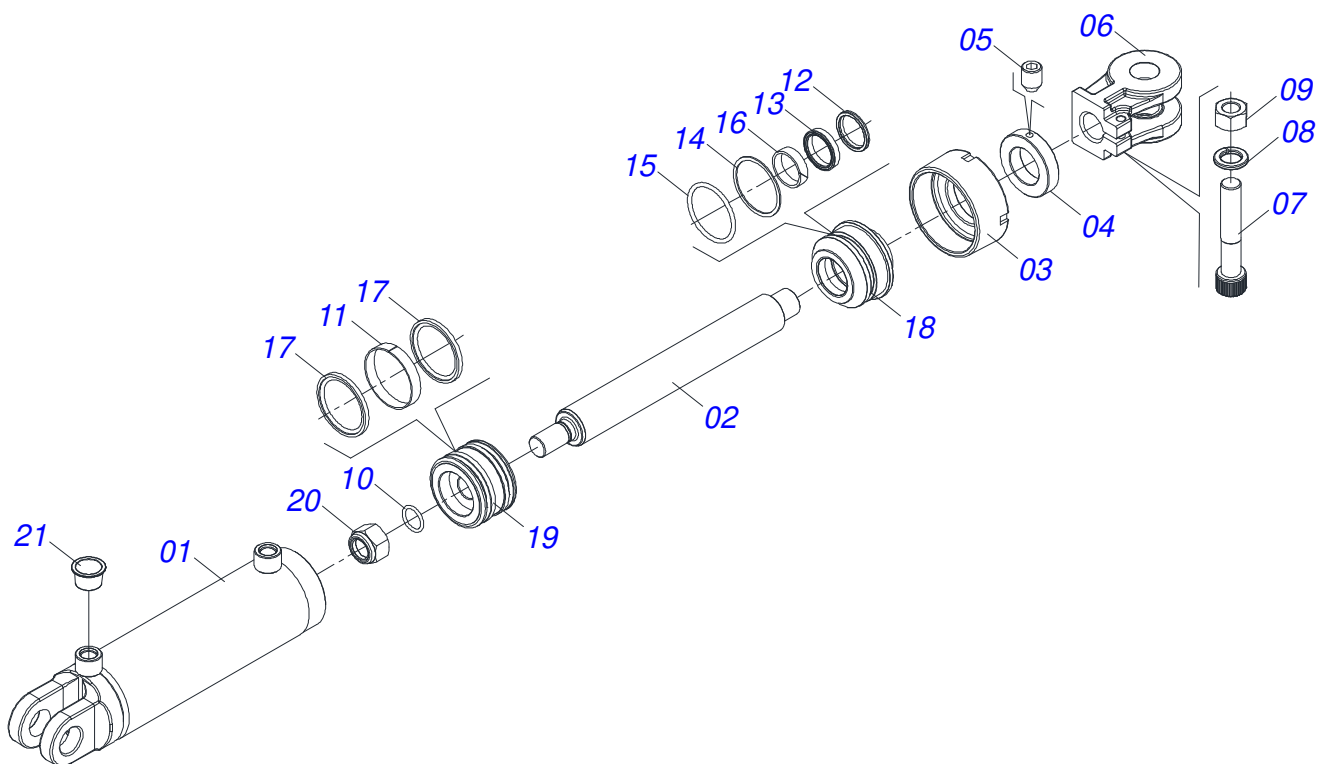
Item	Code	Description	See page	QT
00	0511057152	HOSE KIT		01
01	0521040738	HYDRAULIC CYLINDER 50,8 X 127 X 965 X 623	5	02
02	0521045633	HYDRAULIC CYLINDER 53,98 X 101,60 X 515 X 205	6	02
03	0511045694	44,45 X 85,7 X 515 X 203 HYDRAULIC CYLINDER	7	02
04	0503010190	2-114 N 3006-9B O'RING		12
05	0501010617	3/4" NIPPLE		12
06	0503011271	3/4" UNF "T" CONNECTION T 3 SIDES		04
07	0501080349	3/8" X 7500 TR-TM HOSE		02
08	0501080025	3/8 X 1400 TR-TC HOSE		03
09	0501053834	MALE QUICK COUPLER	8	04
10	0501080192	3/8" X 18.9" TR-TC HOSE		01
11	0501080124	HOSE 3/8 X 900 TR-TC		02
12	0501081022	3/8" X 108.3" TR-TC HOSE ASSY		01
13	0501080389	3/8" X 126" TC-TC HOSE ASSY		02
14	0501080418	3/8" X 4200 TR-TC HOSE		01
15	0561014252	3/4 UNF X 44 NIPPLE WITH REDUCTION		02
16	0503011968	3/4" 8R6X-S T ADAPTER WITH SWIVEL NUT		02
17	0501080411	TR-TR HOSE ASSY		02
18	0521044444	HYDRAULIC CILINDER	9	01
19	0501081551	HOSE		02



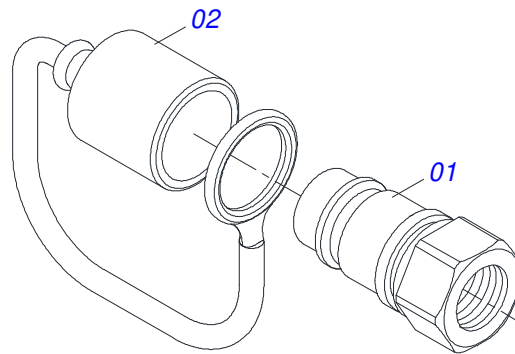
Item	Code	Description	See page	QT
01	0521063028	127 X 863 CYLINDER CASE		01
02	0521063027	50,8 X 888 ROD		01
03	0502012518	50.8 X 127 PISTON		01
04	0502012227	50.80 X 127 RING SUPPORT		01
05	0503010817	1.1/4" SELF LOCKING NUT		01
06	0502010382	5" END CAP		01
07	0503030384	CON PLUG N-001		01
08	0503010974	W2-5000-500 RING		01
09	0503013440	OE 127 GASKET		01
10	0503010351	2-425 N 3006-9B O'RING		01
11	0503011062	8-425 BACK-UP RING		01
12	0503010952	W2-2250-500 RING		01
13	0503010991	1870-2000-375-B GASKET		01
14	0503010039	D-2000 SCRAPER RING		01
15	0503010345	2-218 N 3006-9B O'RING		01
16	0503010002	1800 GREASE FITTING		01



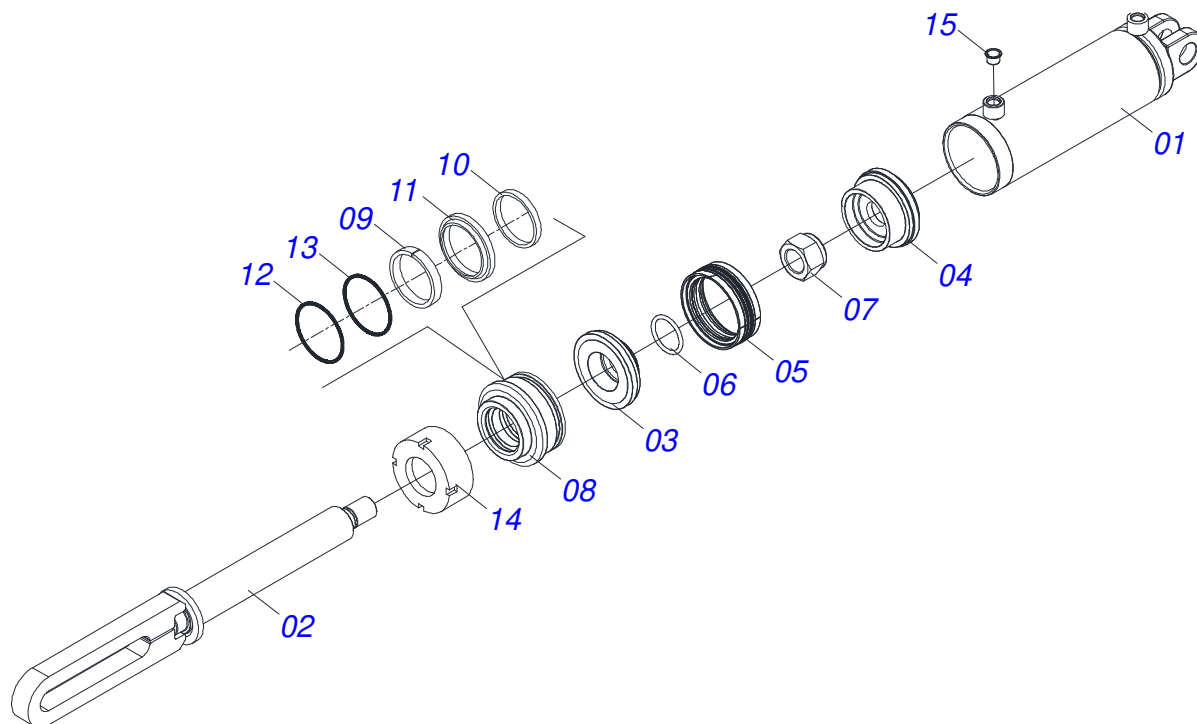
Item	Code	Description	See page	QT
01	0521066149	CYLINDER CASE		01
02	0503010817	1.1/4" SELF LOCKING NUT		01
03	0502010017	4" HEAD		01
04	0503010338	2-342 N 3006-9B O'RING		01
05	0503011061	8-342 BACK-UP RING		01
06	0503030385	CYLINDER PLUG N-002		02
07	0521062882	53,98 X 448 TURNBUCKLE		01
08	0503010002	1800 GREASE FITTING		01
09	0502011250	RING OF SUPPORT		01
10	0503015715	SCRAPER SEALING		01
11	0503015642	U-CUP SEALING		02
12	0503010973	W2-2500-500 PK O'RING G.E		01
13	0503010345	2-218 N 3006-9B O'RING		01
14	0503017889	RING GUIDE		02
15	0581012601	PISTON		01
16	0581012602	PISTON		01
17	0503018651	SEALING		01
18	0511032517	CYLINDER REPAIR KIT 53,98 X 101,6		01



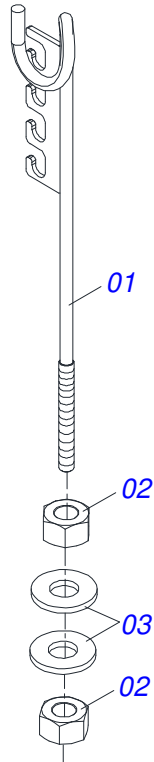
Item	Code	Description	See page	QT
01	0511068372	85,72 X 203 CYLINDER CASE		01
02	0521010421	HYDRAULIC CYLINDER TURNBUCKLE		01
03	0502010993	DETACHABLE COVER		01
04	0511018115	1.8" X 0.1" 0.7" BUSHING		01
05	0503011148	3/8" X 1/2" BOLT		01
06	0502040747	32.54 CLEVIS CLAMP		01
07	0503011094	3/8" X 2" BOLT		01
08	0503010025	3/8 SPRING WASHER		01
09	0503010026	3/8" NUT		01
10	0503010042	2-214 N 3006-9B O'RING		01
11	0503010948	W4-3346-590 PK RING G.E		01
12	0503010761	D-1750 SCRAPER RING		01
13	0503010990	GASKET		01
14	0503011060	8-336 BACK-UP RING		01
15	0503010979	2-336 N 3006-9B O'RING		02
16	0503010949	W2-2000-500 PK RING G.E		01
17	0503012509	GASKET		01
18	0502010781	RING SUPPORT		01
19	0502011847	1.7" X 3.4" PISTON		01
20	0503010063	1" SELF-ALIGNING NUT		01
21	0503030384	CON PLUG N-001		02



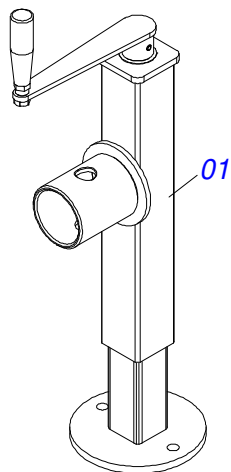
Item	Code	Description	See page	QT
01	0503011627	MALE QUICK COUPLER AGR 1/2 NPT		01
02	0503011882	MALE QUICK COUPLER CAP		01



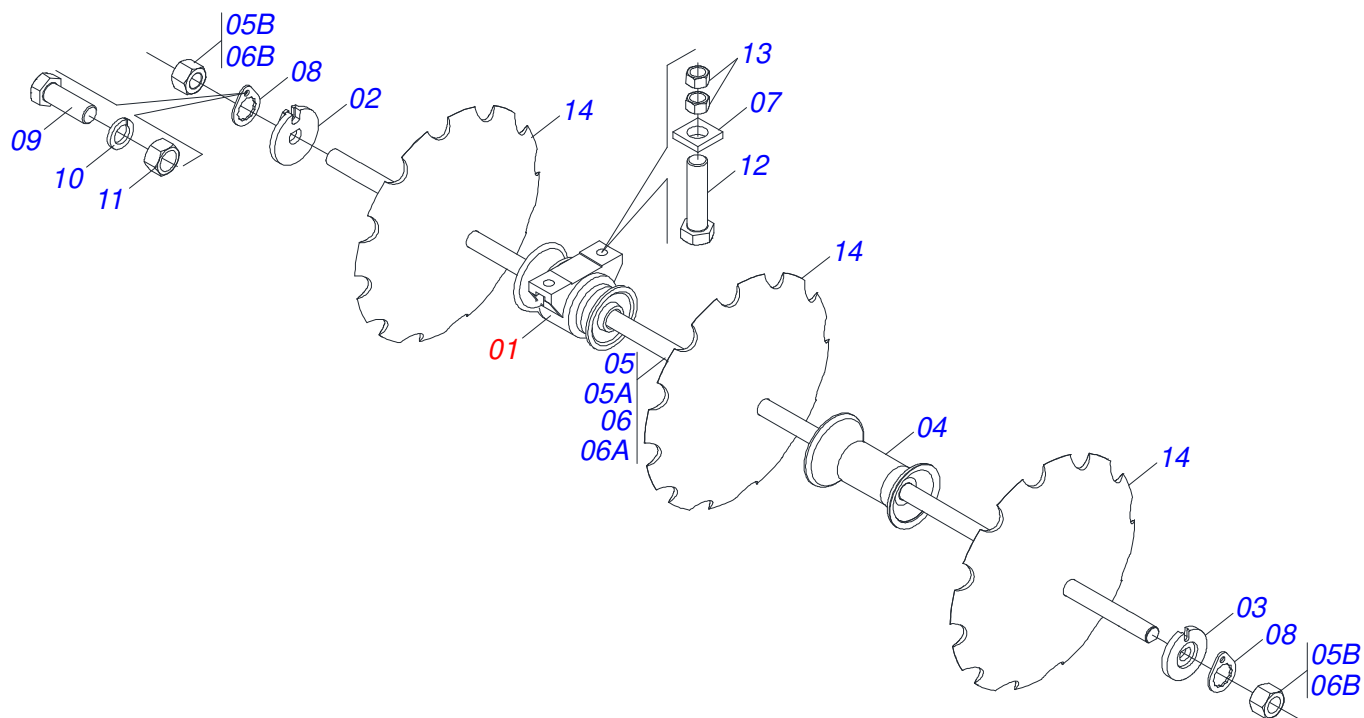
Item	Code	Description	See page	QT
01	0511061336	101,6 X 398 CYLINDER CASE		01
02	0521065064	TURNBUCLE		01
03	0561016389	PISTON BODY		01
04	0561016387	PISTON BODY		01
05	0503015633	SELEMASTER SEALING		01
06	0503010345	2-218 N 3006-9B O'RING		01
07	0503010817	1.1/4" SELF LOCKING NUT		01
08	0502012642	SUPPORT OF THE RINGS		01
09	0503015634	RING SLYDRING		01
10	0503015635	U-CUP SEAL		01
11	0503015636	SCRAPER SEAL		01
12	0503010338	2-342 N 3006-9B O'RING		01
13	0503011061	8-342 BACK-UP RING		01
14	0502010017	4" HEAD		01
15	0503030384	CON PLUG N-001		02



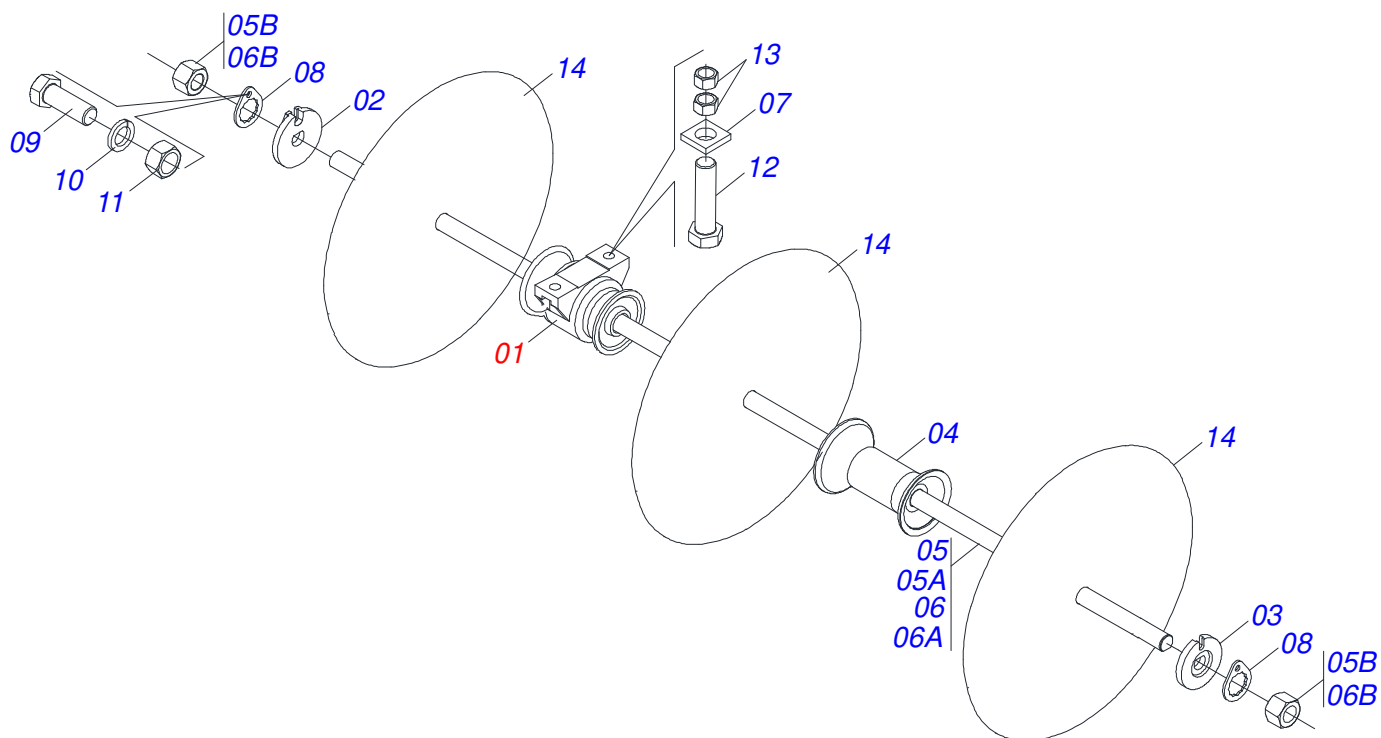
Item	Code	Description	See page	QT
01	0511067334	HOSE SUPPORT		01
02	0503010014	3/4" HEX NUT		02
03	0501010322	FLAT WASHER		02



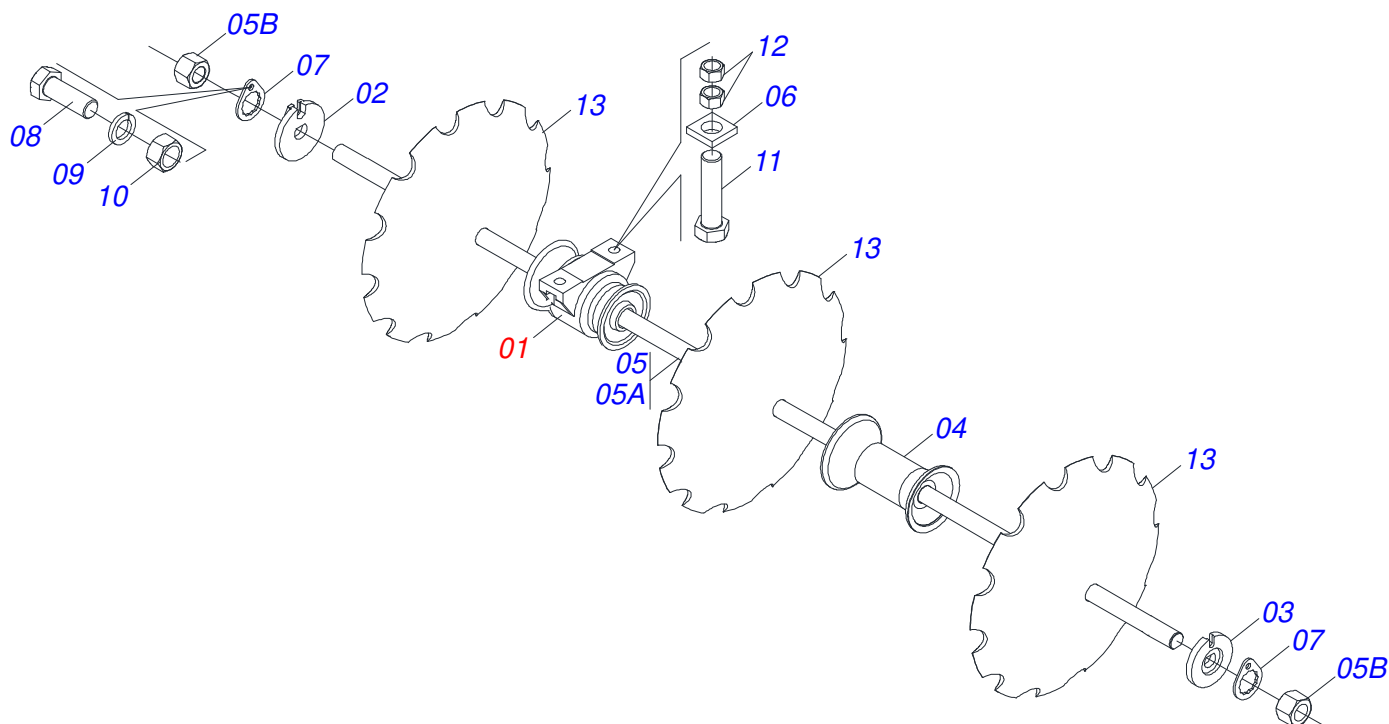
Item	Code	Description	See page	QT
01	0503062227	DRAWBAR JACK		01



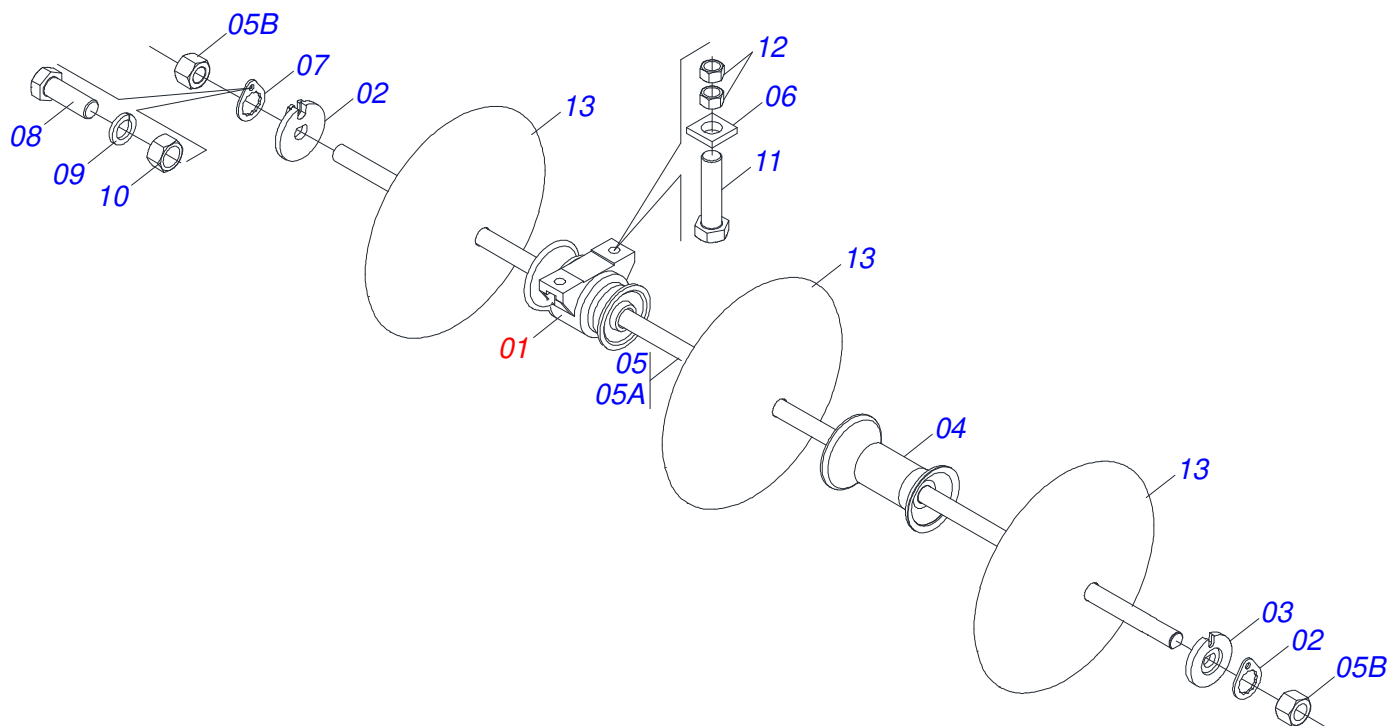
Item	Code	Description	See page	QT
01	0511040472	AGRICULTURAL BEARING	32	09
02	0502010872	1-1/2" INNER AXLE WASHER		03
03	0502010871	1-1/2" EXTERNAL AXLE WASHER		03
04	0502011594	SPACER		20
05	0521040747	1-1/2" X 2320 AXLE ASSY		01
05A	0571011040	1-1/2" X 2320 AXLE		01
05B	0501010110	1.1/2" NUT		06
06	0521040668	1.1/2" X 1920 AXLE ASSY		02
06A	0571010817	1,1/2" X 1920 AXLE		01
06B	0501010110	1.1/2" NUT		02
07	0521013775	FLAT WASHER		18
08	0501018592	1.5/8" NUT LOCK		06
09	0503011267	5/8 UNC X 1.1/2 C S G.5 ZN BOLT		06
10	0503010027	5/8 SPRING WASHER		06
11	0503010013	5/8 NUT		06
12	0503012246	5/8" X 2-3/4" BOLT		18
13	0503010129	5/8" NUT		36
14	0602029409	22" X 4,5 NOTCHED DISC BLADE		32



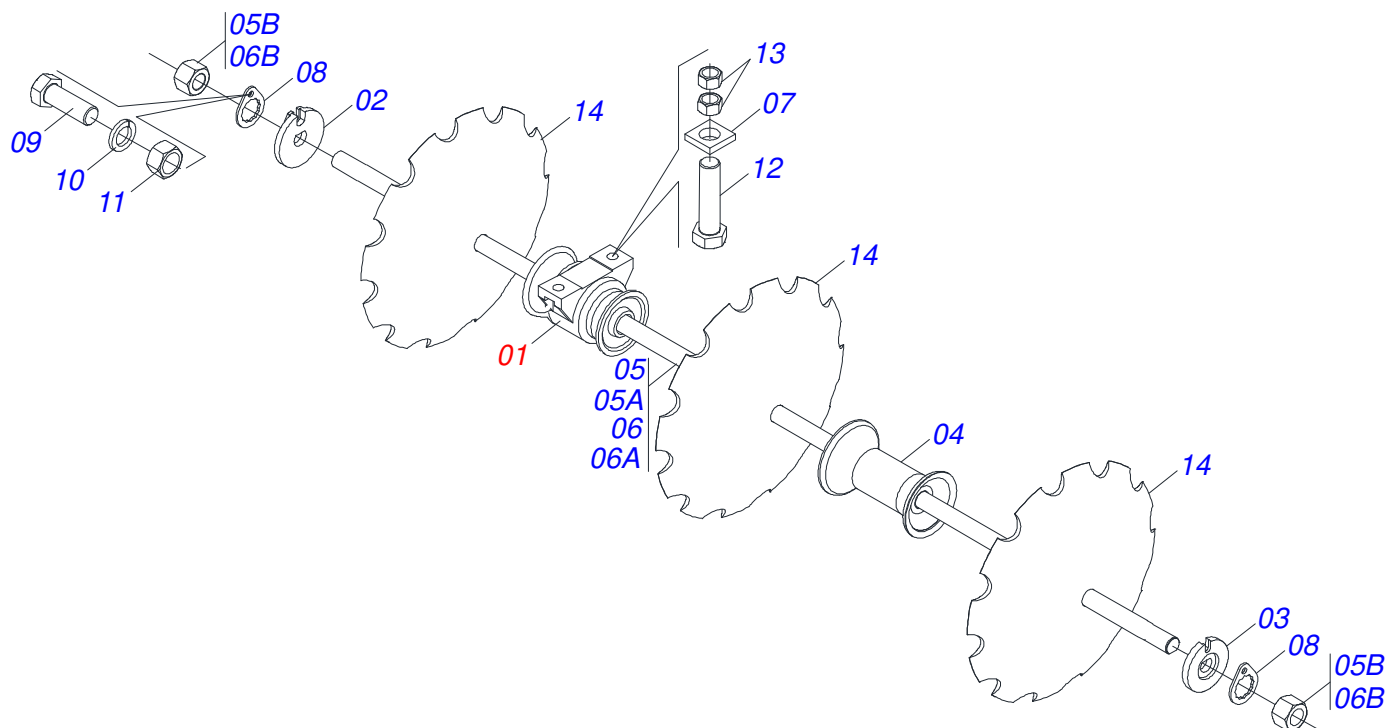
Item	Code	Description	See page	QT
01	0511040472	AGRICULTURAL BEARING	32	09
02	0502010872	1-1/2" INNER AXLE WASHER		03
03	0502010871	1-1/2" EXTERNAL AXLE WASHER		03
04	0502011594	SPACER		20
05	0521040747	1-1/2" X 2320 AXLE ASSY		01
05A	0571011040	1-1/2" X 2320 AXLE		01
05B	0501010110	1.1/2" NUT		06
06	0521040668	1.1/2" X 1920 AXLE ASSY		02
06A	0571010817	1,1/2" X 1920 AXLE		01
06B	0501010110	1.1/2" NUT		02
07	0521013775	FLAT WASHER		18
08	0501018592	1.5/8" NUT LOCK		06
09	0503011267	5/8 UNC X 1.1/2 C S G.5 ZN BOLT		06
10	0503010027	5/8 SPRING WASHER		06
11	0503010013	5/8 NUT		06
12	0503012246	5/8" X 2-3/4" BOLT		18
13	0503010129	5/8" NUT		14
14	0601029406	22" X 4,5 PLAIN DISC BLADE		32



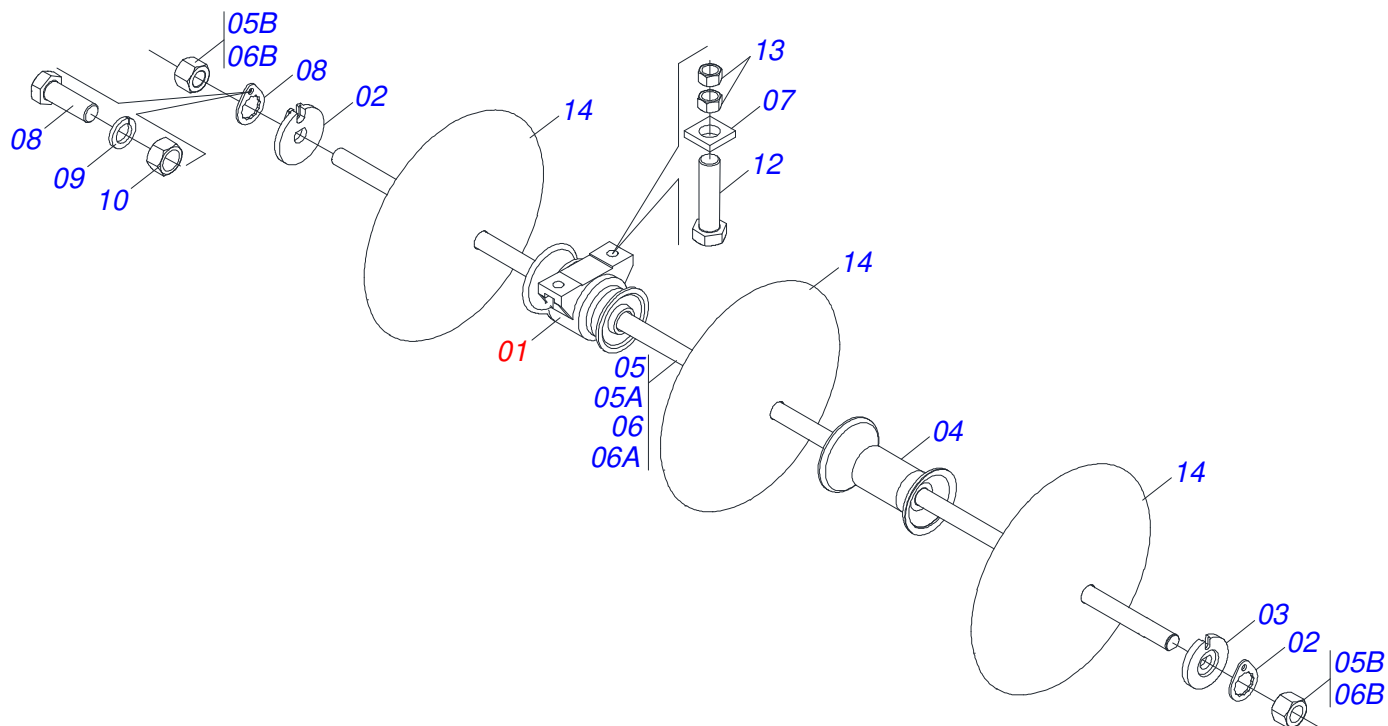
Item	Code	Description	See page	QT
01	0511040472	AGRICULTURAL BEARING	32	09
02	0502010872	1-1/2" INNER AXLE WASHER		03
03	0502010871	1-1/2" EXTERNAL AXLE WASHER		03
04	0502011594	SPACER		24
05	0521040747	1-1/2" X 2320 AXLE ASSY		03
05A	0571011040	1-1/2" X 2320 AXLE		03
05B	0501010110	1.1/2" NUT		06
06	0521013775	FLAT WASHER		18
07	0501018592	1.5/8" NUT LOCK		06
08	0503011267	5/8 UNC X 1.1/2 C S G.5 ZN BOLT		06
09	0503010027	5/8 SPRING WASHER		06
10	0503010013	5/8 NUT		06
11	0503012246	5/8" X 2-3/4" BOLT		18
12	0503010129	5/8" NUT		36
13	0602029409	22" X 4,5 NOTCHED DISC BLADE		36



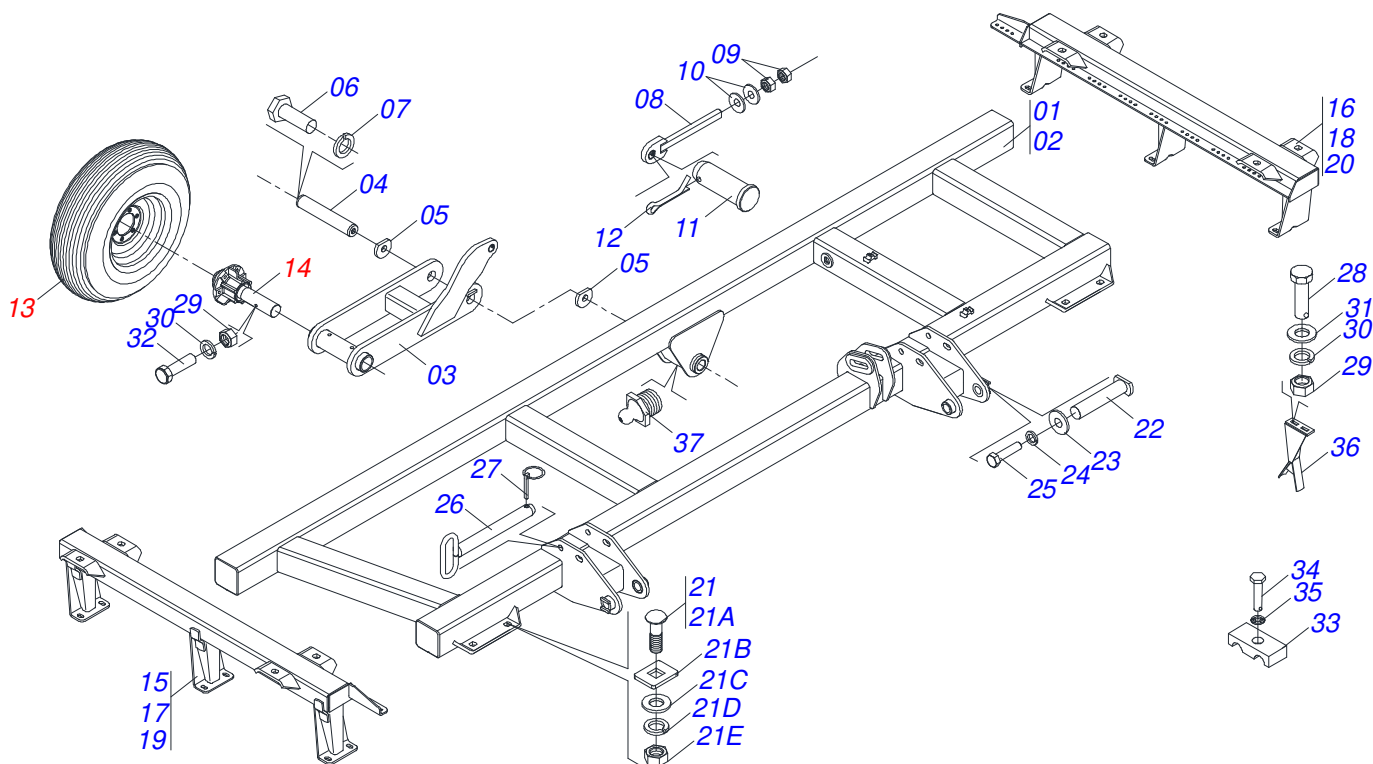
Item	Code	Description	See page	QT
01	0511040472	AGRICULTURAL BEARING	32	09
02	0502010872	1-1/2" INNER AXLE WASHER		03
03	0502010871	1-1/2" EXTERNAL AXLE WASHER		03
04	0502011594	SPACER		24
05	0521040747	1-1/2" X 2320 AXLE ASSY		03
05A	0571011040	1-1/2" X 2320 AXLE		03
05B	0501010110	1.1/2" NUT		06
06	0521013775	FLAT WASHER		18
07	0501018592	1.5/8" NUT LOCK		06
08	0503011267	5/8 UNC X 1.1/2 C S G.5 ZN BOLT		06
09	0503010027	5/8 SPRING WASHER		06
10	0503010013	5/8 NUT		06
11	0503012246	5/8" X 2-3/4" BOLT		18
12	0503010129	5/8" NUT		36
13	0601029406	22" X 4,5 PLAIN DISC BLADE		36



Item	Code	Description	See page	QT
01	0511040472	AGRICULTURAL BEARING	32	09
02	0502010872	1-1/2" INNER AXLE WASHER		03
03	0502010871	1-1/2" EXTERNAL AXLE WASHER		03
04	0502011594	SPACER		30
05	0521040746	1-1/2" X 2920 AXLE ASSY		02
05A	0571011039	1-1/2" X 2920 AXLE		02
05B	0501010110	1.1/2" NUT		06
06	0521040747	1-1/2" X 2320 AXLE ASSY		01
06A	0571011040	1-1/2" X 2320 AXLE		01
06B	0501010110	1.1/2" NUT		02
07	0521013775	FLAT WASHER		18
08	0501018592	1.5/8" NUT LOCK		06
09	0503011267	5/8 UNC X 1.1/2 C S G.5 ZN BOLT		06
10	0503010027	5/8 SPRING WASHER		06
11	0503010013	5/8 NUT		06
12	0503012246	5/8" X 2-3/4" BOLT		18
13	0503010129	5/8" NUT		36
14	0602029409	22" X 4,5 NOTCHED DISC BLADE		42



Item	Code	Description	See page	QT
01	0511040472	AGRICULTURAL BEARING	32	09
02	0502010872	1-1/2" INNER AXLE WASHER		03
03	0502010871	1-1/2" EXTERNAL AXLE WASHER		03
04	0502011594	SPACER		30
05	0521040746	1-1/2" X 2920 AXLE ASSY		02
05A	0571011039	1-1/2" X 2920 AXLE		02
05B	0501010110	1.1/2" NUT		06
06	0521040747	1-1/2" X 2320 AXLE ASSY		01
06A	0571011040	1-1/2" X 2320 AXLE		01
06B	0501010110	1.1/2" NUT		02
07	0521013775	FLAT WASHER		18
08	0501018592	1.5/8" NUT LOCK		06
09	0503011267	5/8 UNC X 1.1/2 C S G.5 ZN BOLT		06
10	0503010027	5/8 SPRING WASHER		06
11	0503010013	5/8 NUT		06
12	0503012246	5/8" X 2-3/4" BOLT		18
13	0503010129	5/8" NUT		36
14	0601029406	22" X 4,5 PLAIN DISC BLADE		42



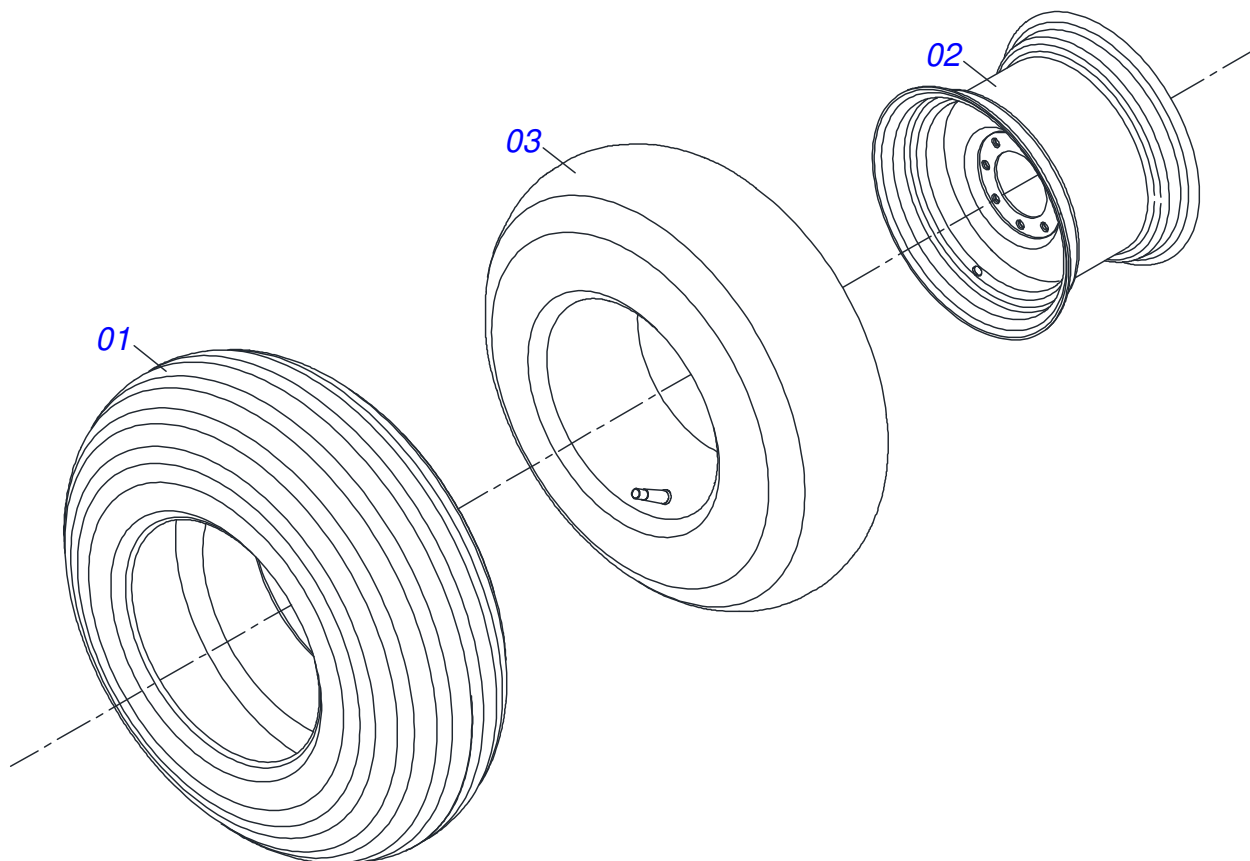
Item	Code	Description	See page	64	72	84
01	0521065486	RIGHT SIDE FRAME 72/84 D.		01	00	00
02	0521065515	FRAME SIDE RIGHT 72/84		00	01	01
03	0521062989	RIGHT SIDE CARRYING-WHEELS		01	01	01
04	0551019516	COUPLING SHAFT		01	01	01
05	0551019512	LOCK WASHER		02	02	02
06	0503011250	1" X 2" BOLT		02	02	02
07	0503010012	1" SPRING WASHER		02	02	02
08	0521062963	REGULATOR SPINDLE		01	01	01
09	0501010110	1.1/2" NUT		02	02	02
10	0501012916	FLAT WASHER 40 X 66 X 4,75 ZN		02	02	02
11	0521012538	1.2" X 3.5" COUPLING SHAFT		02	02	02
12	0503010523	1/4" X 2" COTTERPIN		02	02	02
13	0503060181	WHEEL AND TIRE	19	01	01	01
14	0511045580	CARRYING WHEEL HUB ASSY	20	01	01	01
15	0521065494	RIGHT FRONT CARRIER		01	00	00
16	0521065500	RIGHT REAR FRAME		01	00	00
17	0521065516	RIGHT FRONT CARRIER		00	01	00
18	0521065521	RIGHT REAR FRAME		00	01	00
19	0521065541	RIGHT FRONT CARRIER		00	00	01
20	0521065538	RIGHT REAR FRAME - 84D		00	00	01
21	0501040877	C1" X 3-1/4" ASSY BOLT		08	08	08
21A	0501014309	C1" X 3-1/4" BOLT		08	08	08
21B	0501010951	1" SQUARE WASHER		08	08	08
21C	0501010065	1" SPRING WASHER		08	08	08
21D	0503011438	SPRING WASHER		08	08	08
21E	0501010059	1.5/8 NUT		08	08	08
22	0521062964	PIVOT SHAFT FRAME		02	02	02
23	0511017232	FLAT WASHER		02	02	02
24	0503010023	3/4" SPRING WASHER		02	02	02
25	0501011544	3/4" X 1-1/2" BOLT		02	02	02
26	0501069463	1" X 8" LOCK PIN		02	02	02



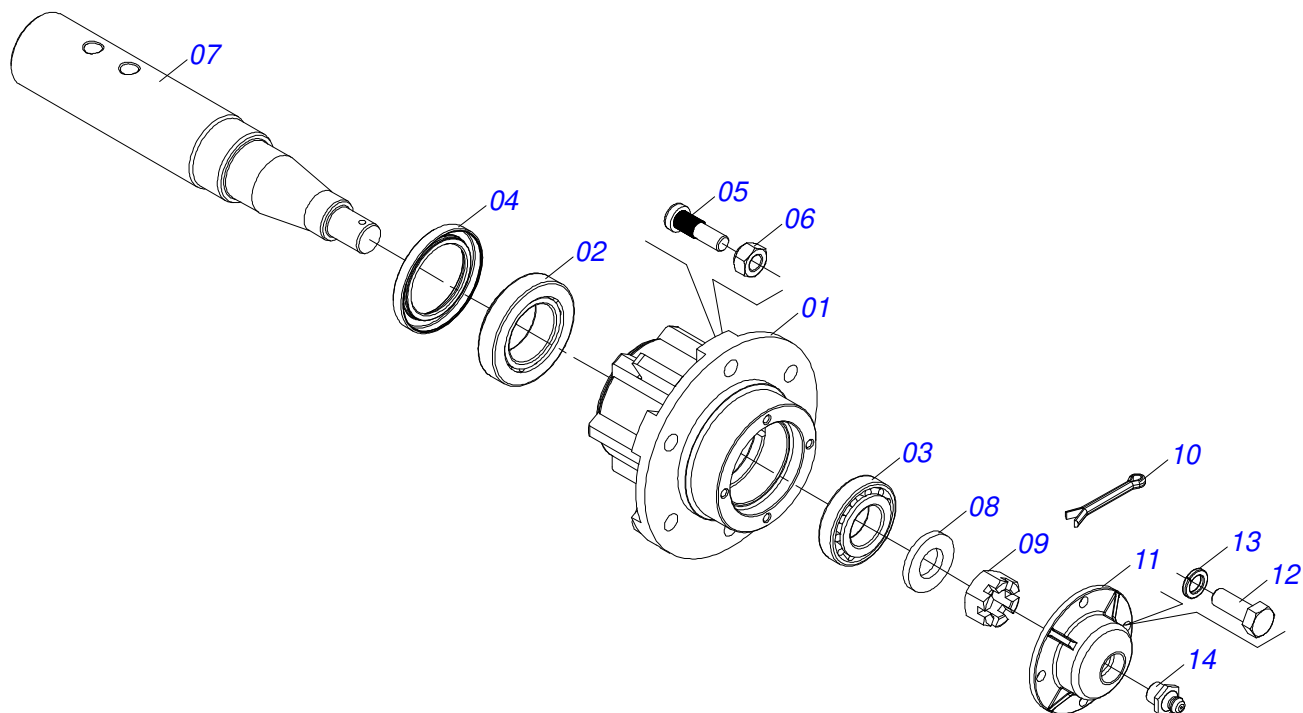
GNACR - 64/72/84/96/108D
RIGHT SIDE FRAME 72/84 D.

Page 18
0909090670

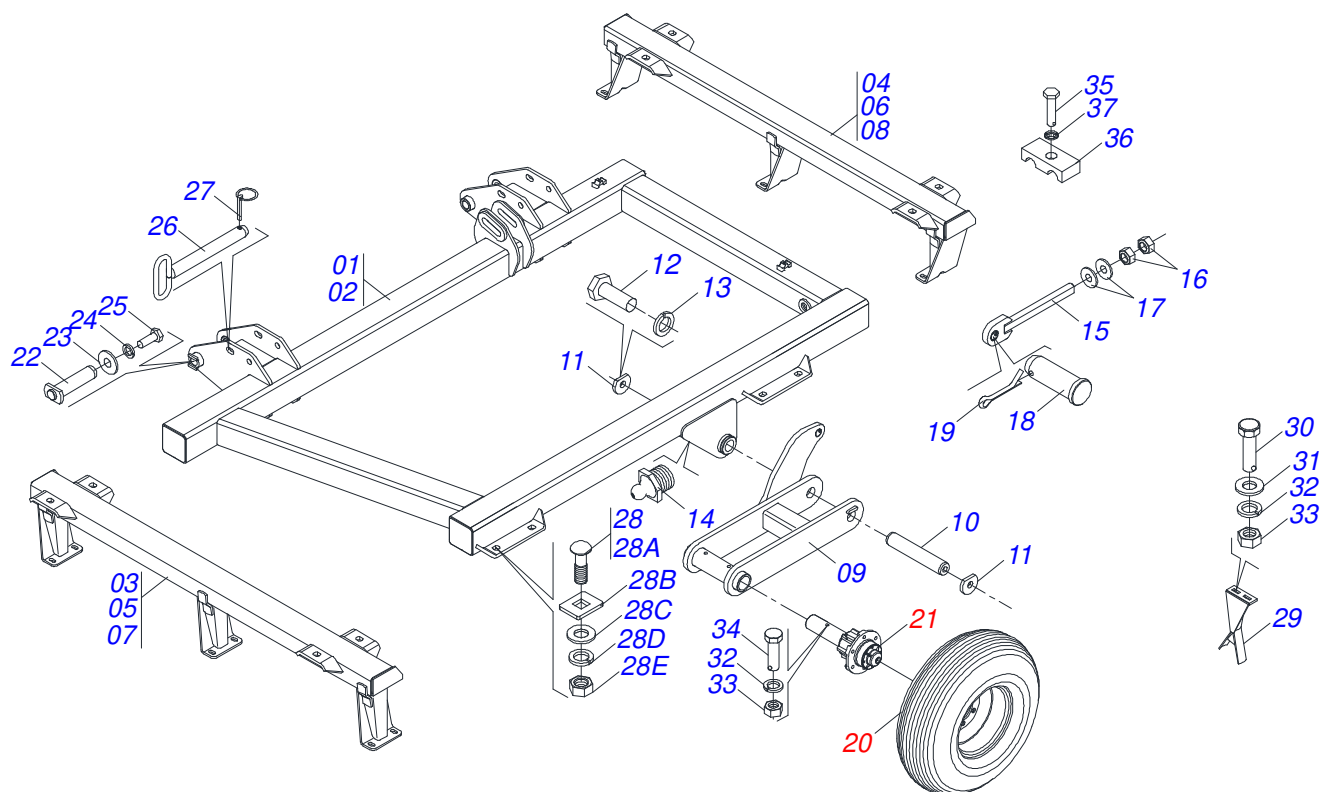
Item	Code	Description	See page	64	72	84
27	0503030119	LOCK PIN		02	02	02
28	0503010920	1/2 UNC X 1.1/2 C S G.5 ZN BOLT		28	36	48
29	0503010060	1/2 UNC G.5 ZN HEX NUT		29	37	49
30	0503010019	1/2" SPRING WASHER		29	37	49
31	0501010937	13,50 X 28 X 3,00 FLAT WASHER		28	36	48
32	0503010706	BOLT 1/2 UNC X 4.1/2 C S G.5 ZN		01	01	01
33	0502012702	BODY SUPPORT CLAMP		02	02	02
34	0503011135	BOLT		02	02	02
35	0503010180	7/16" SPRING WASHER		02	02	02
36	0511060204	CLEANER		14	18	24
37	0503010002	1800 GREASE FITTING		01	01	01



Item	Code	Description	See page	QT
01	0503010858	CANVAS TIRE		01
02	0503011468	WEEL		01
03	0503010860	AIR CHAMBER 11L 15		01



Item	Code	Description	See page	QT
01	0502011121	CARRYING WHEEL HUB	01	01
02	0503010006	32210 ROLLER BEARING	01	01
03	0503010037	30207 ROLLER BEARING	01	01
04	0503011867	00517-BR SEAL WITH HOLE	01	01
05	0501010127	9/16" X 1-7/8" LUG BOLT	06	06
06	0503010035	9/16" CONIC NUT	06	06
07	0541015259	63,40 X 366 AXLE	01	01
08	0501016545	FLAT WASHER	01	01
09	0503030009	1" CASTLE NUT	01	01
10	0503010018	5/32 X 1-1/2 COTTERPIN	01	01
11	0502020591	PROTECCION COVER	01	01
12	0503010178	5/16" X 7/8" BOLT	04	04
13	0503010179	LOCK WASHER 5/16 ZN 1K01528	04	04
14	0503010002	1800 GREASE FITTING	01	01



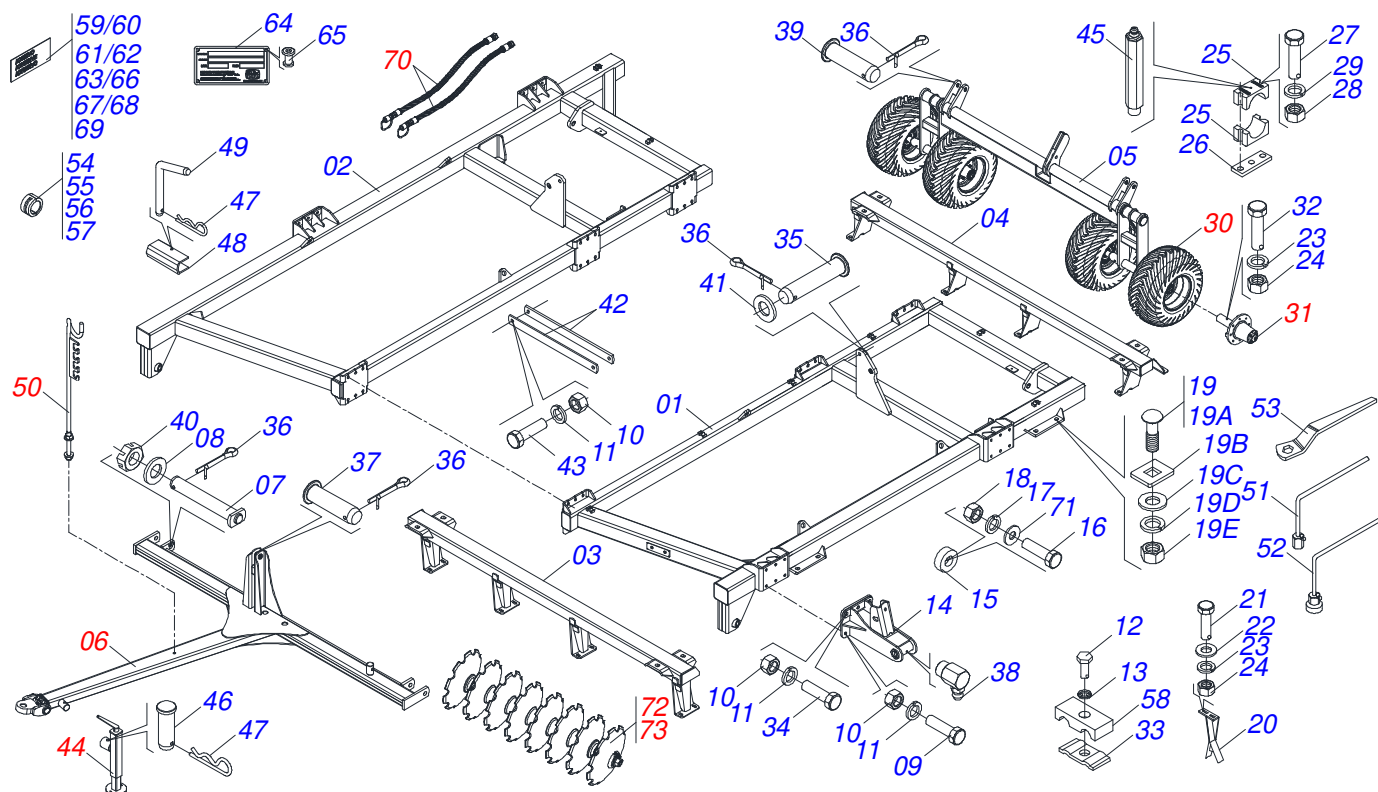
Item	Code	Description	See page	64	72	84
01	0521065487	FRAME SIDE LEFT		01	00	00
02	0521065530	FRAME SIDE LEFT		00	01	01
03	0521065490	FRAME SIDE LEFT		01	00	00
04	0521065496	FRAME SIDE LEFT		01	00	00
05	0521065517	LEFT FRONT FRAME		00	01	00
06	0521065519	LEFT REAR FRAME		00	01	00
07	0521065539	REAR FRAME		00	00	01
08	0521065533	LEFT REAR FRAME		00	00	01
09	0521062987	CARRYING-WHEELS SIDE LEFT		01	01	01
10	0551019516	COUPLING SHAFT		01	01	01
11	0551019512	LOCK WASHER		02	02	02
12	0503011250	1" X 2" BOLT		02	02	02
13	0503010012	1" SPRING WASHER		02	02	02
14	0503010002	1800 GREASE FITTING		01	01	01
15	0521062963	REGULATOR SPINDLE		01	01	01
16	0501010110	1.1/2" NUT		02	02	02
17	0501012916	FLAT WASHER 40 X 66 X 4,75 ZN		02	02	02
18	0521012538	1.2" X 3.5" COUPLING SHAFT		02	02	02
19	0503010523	1/4" X 2" COTTERPIN		02	02	02
20	0503060181	WHEEL AND TIRE	19	01	01	01
21	0511045580	CARRYING WHEEL HUB ASSY	20	01	01	01
22	0521062964	PIVOT SHAFT FRAME		02	02	02
23	0511017232	FLAT WASHER		02	02	02
24	0503010023	3/4" SPRING WASHER		02	02	02
25	0501011544	3/4" X 1-1/2" BOLT		02	02	02
26	0501069463	1" X 8" LOCK PIN		02	02	02
27	0503030119	LOCK PIN		02	02	02
28	0501040877	C1" X 3-1/4" ASSY BOLT		08	08	08
28A	0501014309	C1" X 3-1/4" BOLT		08	08	08
28B	0501010951	1" SQUARE WASHER		08	08	08
28C	0501010065	1" SPRING WASHER		08	08	08



GNACR - 64/72/84/96/108D
FRAME RIGHT SIDE 64/72/84D

Page 21
0909090671

Item	Code	Description	See page	64	72	84
28D	0503011438	SPRING WASHER		08	08	08
28E	0501010059	1.5/8 NUT		08	08	08
29	0511060204	CLEANER		12	16	22
30	0503010920	1/2 UNC X 1.1/2 C S G.5 ZN BOLT		24	32	44
31	0501010937	13,50 X 28 X 3,00 FLAT WASHER		24	32	44
32	0503010019	1/2" SPRING WASHER		25	33	45
33	0503010060	1/2 UNC G.5 ZN HEX NUT		25	33	45
34	0503010706	BOLT 1/2 UNC X 4.1/2 C S G.5 ZN		01	01	01
35	0503011135	BOLT		02	02	02
36	0502012702	BODY SUPPORT CLAMP		02	02	02
37	0503010180	7/16" SPRING WASHER		02	02	02

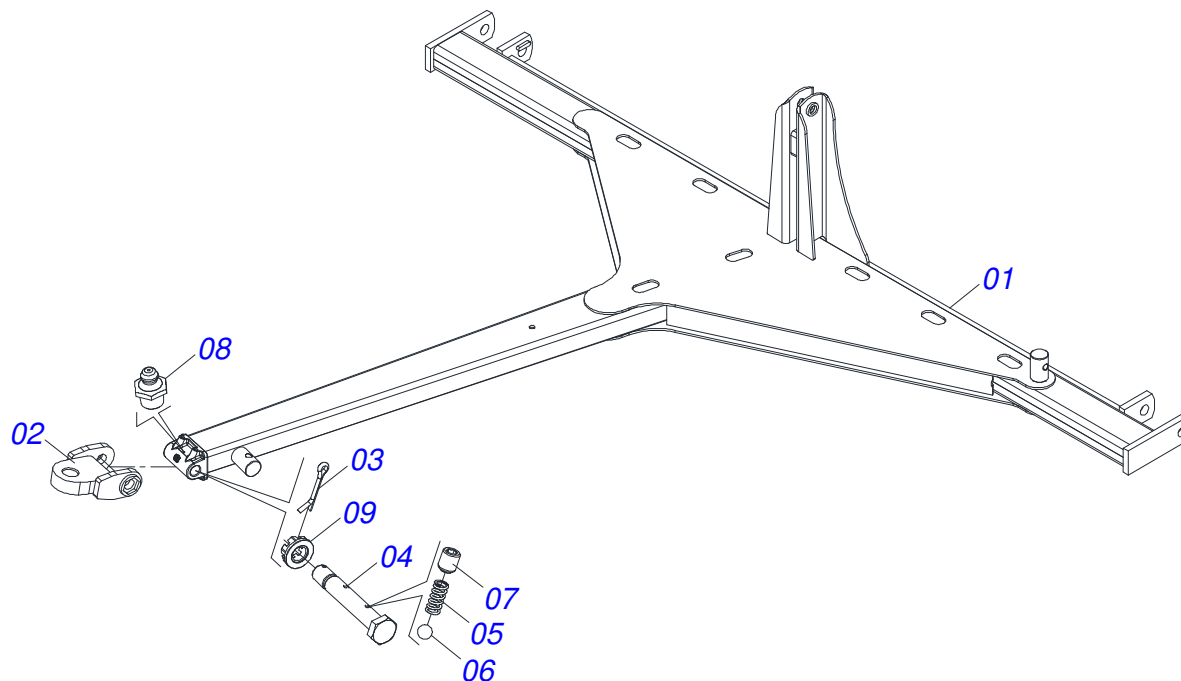


Item	Code	Description	See page	96	108
01	0521065051	LEFT FRAME CENTER		01	01
02	0521065050	RIGHT CENTRAL FRAME		01	01
03	0521065057	FRONT CENTRAL FRAME		01	01
04	0521065061	REAR CENTRAL FRAME		01	01
05	0521062877	REAR CARRIER CENTRAL		01	01
06	0521044459	DRAWBAR ASSY	23	01	01
07	0521062959	38,1 X 265 AXLE		02	02
08	0501012916	FLAT WASHER 40 X 66 X 4,75 ZN		02	02
09	0503011196	3/4" X 2-1/4" BOLT		30	30
10	0503010014	3/4" HEX NUT		44	44
11	0503010023	3/4" SPRING WASHER		42	42
12	0503010277	7/16" X 1-1/2" BOLT		00	05
13	0503010180	7/16" SPRING WASHER		08	08
14	0521063017	ARTICULATION FRAME SIDE		04	04
15	0521011481	FRAME BATTERY		04	04
16	0503011267	5/8 UNC X 1.1/2 C S G.5 ZN BOLT		04	04
17	0503010027	5/8 SPRING WASHER		04	04
18	0503010013	5/8 NUT		04	04
19	0501040877	C1" X 3-1/4" ASSY BOLT		08	08
19A	0501014309	C1" X 3-1/4" BOLT		08	08
19B	0501010951	1" SQUARE WASHER		08	08
19C	0501010065	1" SPRING WASHER		08	08
19D	0503011438	SPRING WASHER		08	08
19E	0501010059	1.5/8 NUT		08	08
20	0511060204	CLEANER		31	31
21	0503010920	1/2 UNC X 1.1/2 C S G.5 ZN BOLT		64	64
22	0511017302	FLAT WASHER 13,50 X 32,50 X 3,0 ZN		64	64
23	0503010019	1/2" SPRING WASHER		66	68
24	0503010060	1/2 UNC G.5 ZN HEX NUT		66	68
25	0502010673	BEARING SEMI		06	06
26	0501015593	SUPPORT PLATE		03	03

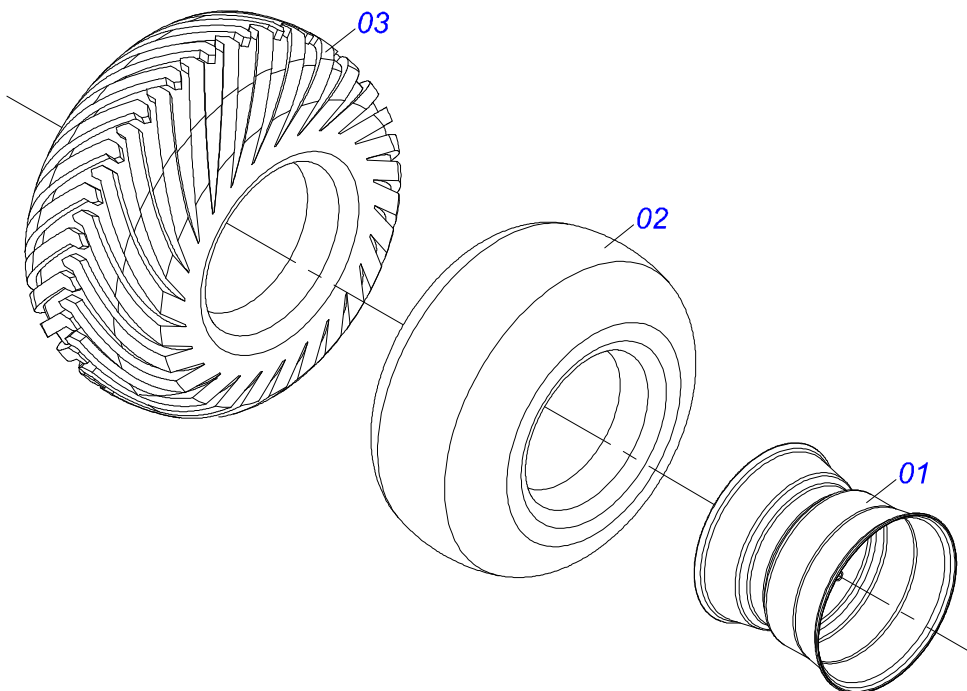


Item	Code	Description	See page	96	108
27	0501010064	1" X 9" BOLT		06	06
28	0501010059	1.5/8 NUT		08	08
29	0503010012	1" SPRING WASHER		08	08
30	0503060102	WHEEL AND TIRE	24	04	04
31	0501051885	CARRYING-WHEELS	3	04	04
32	0503010706	BOLT 1/2 UNC X 4.1/2 C S G.5 ZN		04	04
33	0531011180	UPPER BODY CLIP		03	03
34	0501010500	3/4"X3"BOLT		12	12
35	0521012538	1.2" X 3.5" COUPLING SHAFT		05	05
36	0503010523	1/4" X 2" COTTERPIN		11	11
37	0511014394	1.25" X 4.13" COUPLING SHAFT		02	02
38	0503010004	1890 GREASE FITTING		04	04
39	0521010547	1.2" X 6.5" COUPLING SHAFT		02	02
40	0501011301	1.1/2 UNC 6FPP 2.5/16 NUT		02	02
41	0501017779	32 X 60 X 4.75 FLAT WASHER		02	02
42	0571010553	CENTRAL REINFORCING PLATE FRAME		02	02
43	0501010171	BOLT 1 UNC X 3.1/2 C S G.5		02	02
44	0511048088	DRAWBAR JACK	11	01	00
45	0503010829	GREASE FITTING		00	01
46	0561014251	COUPLING SHAFT		01	01
47	0503030285	HITCH PIN CLIP		03	03
48	0551019515	LATCH SHIPPING		02	02
48.	0551010332	TRANSPORT LOCK		01	01
49	0541016844	FIXER LOCK		02	02
50	0501040257	ASSY 3/4 X 975 HOSE SUPPORT	10	01	01
51	0501068273	5/8" WRENCH		01	01
52	0501061045	1" WRENCH CYLINDRICAL		01	01
53	0501011432	1-1/2" AND 1-5/8 GANG BOLT WRENCH		02	02
54	0501047895	25 ROD STOP		04	04
55	0501047885	30 ROD STOP		04	04
56	0501047886	35 ROD STOP		04	04
57	0501047887	40 ROD STOP		04	04
58	0502012702	BODY SUPPORT CLAMP		12	12
59	0503031428	READ MANUAL DECAL		01	01
60	0503033038	DANGER SIGN		05	05
61	0503031738	ADHESIVE LABEL		02	02
62	0503031896	DANGER DECAL		02	02
63	0503031087	ADHESIVE LABEL		05	05
64	0503034003	SERIAL NUMBER TAG 61 X 118		01	01
65	0503010001	3.2 X 5.5 RIVET		04	04
66	0503031739	ADHESIVE LABEL		01	01
67	0503033795	ADHESIVE LABEL		02	02
68	0503033987	ADHESIVE LABEL		02	02
69	0503033795	ADHESIVE LABEL		01	01
70	0909090676	HYDRAULIC CIRCUIT 96/108	27	01	01
71	0571013284	17.5 X 90 X 4.75 FLAT WASHER		08	08
72	0909094418	SECTION 96 DISCS FRONT	28	01	00
72.	0909094420	SECTION 108 DISCS FRONT	30	00	01
73	0909094419	SECTION 96 REAR DISCS	29	01	00
73.	0909094421	SECTION 108 REAR DISCS	31	00	01

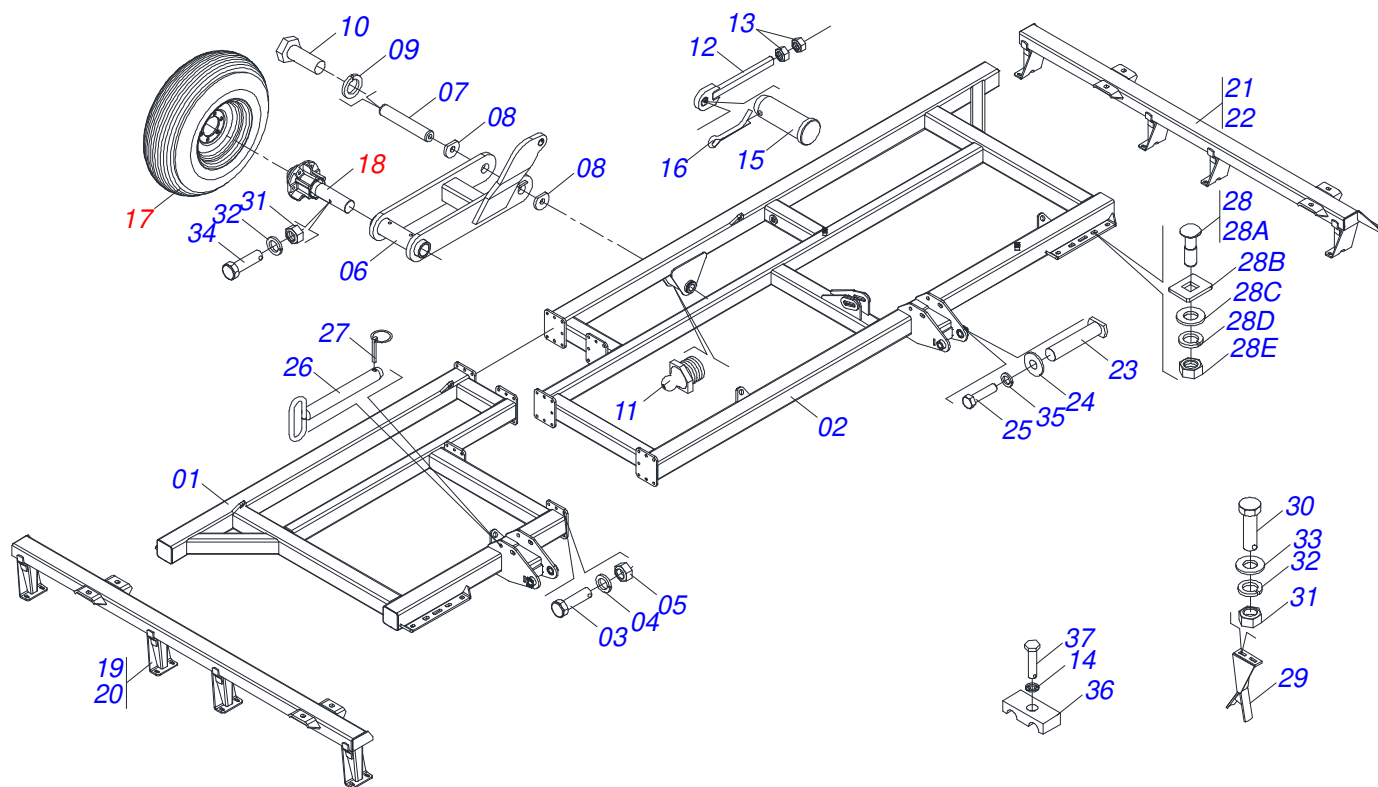
DRAWBAR ASSY



Item	Code	Description	See page	QT
01	0521065055	DRAWBAR		01
02	0511070237	TRACTOR HITCH		01
03	0503010010	1/4" X 2.1/2" COTTERPIN		01
04	0571016538	1-1/2" X 245" BOLT		01
05	0503033994	COMPRESSION SPRING		02
06	0503012389	1/2 BALL		02
07	0503013333	BOLT		02
08	0503010002	1800 GREASE FITTING		01
09	0501011301	1.1/2 UNC 6FPP 2.5/16 NUT		01



Item	Code	Description	See page	QT
01	0501069483	WHEEL		01
02	0503012112	400/60 - 15.5 TR 15 INNER TIRE		01
03	0503013119	CANVAS TIRE		01



Item	Code	Description	See page	96	108
01	0521065588	FRONT RIGHT SIDE FRAME		01	01
02	0521065586	REAR RIGHT SIDE FRAME		01	01
03	0503011267	5/8 UNC X 1.1/2 C S G.5 ZN BOLT		24	24
04	0503010027	5/8 SPRING WASHER		24	24
05	0503010013	5/8 NUT		24	24
06	0521062989	RIGHT SIDE CARRYING-WHEELS		01	01
07	0551019516	COUPLING SHAFT		01	01
08	0551019512	LOCK WASHER		02	02
09	0503010012	1" SPRING WASHER		02	02
10	0503011250	1" X 2" BOLT		02	02
11	0503010002	1800 GREASE FITTING		01	01
12	0521062963	REGULATOR SPINDLE		01	01
13	0501010110	1.1/2" NUT		02	02
14	0503010180	7/16" SPRING WASHER		02	02
15	0521012538	1.2" X 3.5" COUPLING SHAFT		02	02
16	0503010523	1/4" X 2" COTTERPIN		02	02
17	0503060181	WHEEL AND TIRE	19	01	01
18	0511045580	CARRYING WHEEL HUB ASSY	20	01	01
19	0521065080	RIGHT FRONT FRAME - 96D		01	00
20	0521065056	RIGHT REAR FRAME - 108D		00	01
21	0521065078	RIGHT REAR FRAME - 96D		01	00
22	0521065059	RIGHT REAR FRAME - 108D		00	01
23	0521062964	PIVOT SHAFT FRAME		02	02
24	0511017232	FLAT WASHER		02	02
25	0501011544	3/4" X 1-1/2" BOLT		02	02
26	0501069463	1" X 8" LOCK PIN		02	02
27	0503030119	LOCK PIN		02	02
28	0501040877	C1" X 3-1/4" ASSY BOLT		08	08
28A	0501014309	C1" X 3-1/4" BOLT		08	08
28B	0501010951	1" SQUARE WASHER		08	08
28C	0501010065	1" SPRING WASHER		08	08

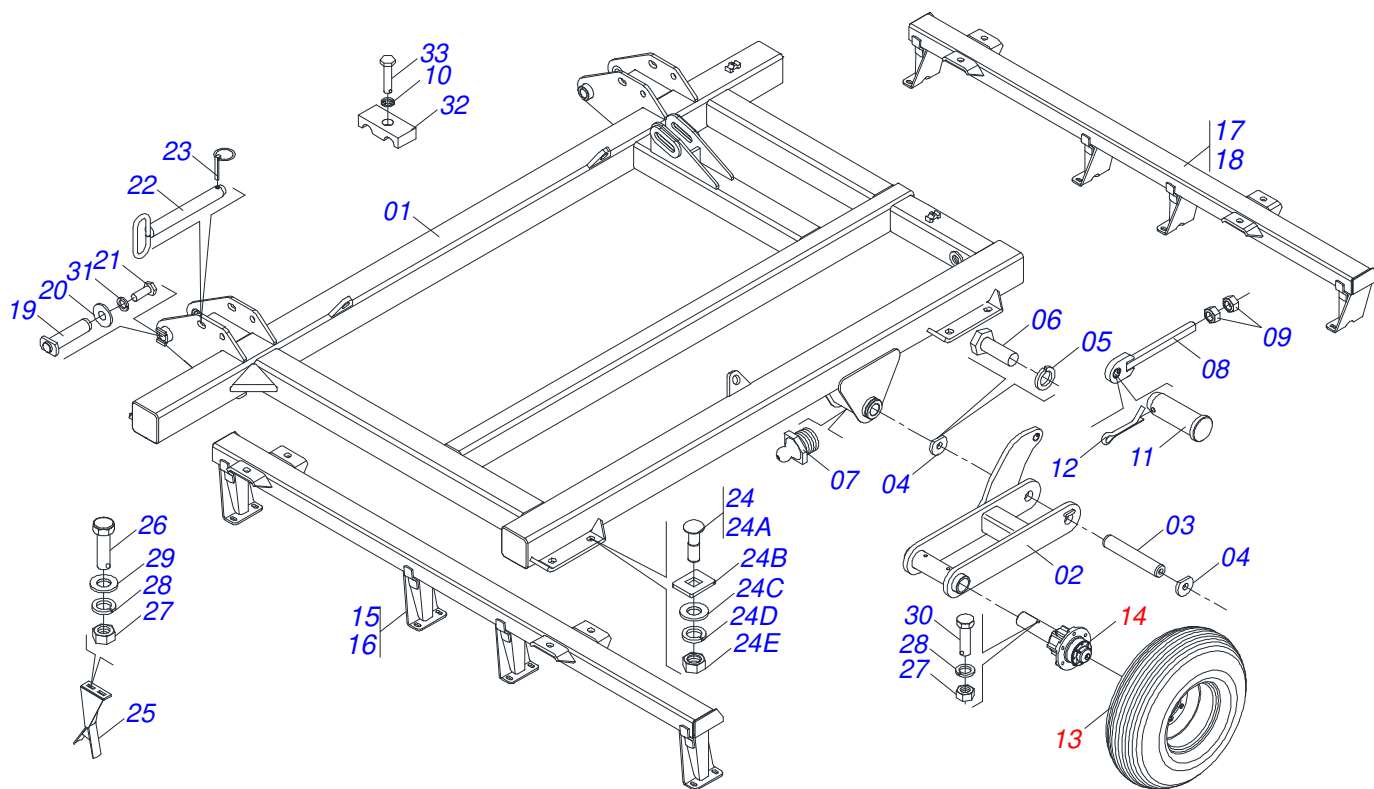


GNACR - 64/72/84/96/108D
96/108D RIGHT SIDE FRAME

Page 25
0909090673

Item	Code	Description	See page	96	108
28D	0503011438	SPRING WASHER		08	08
28E	0501010059	1.5/8 NUT		08	08
29	0511060204	CLEANER		19	24
30	0503010920	1/2 UNC X 1.1/2 C S G.5 ZN BOLT		38	48
31	0503010060	1/2 UNC G.5 ZN HEX NUT		39	49
32	0503010019	1/2" SPRING WASHER		39	49
33	0511017302	FLAT WASHER 13,50 X 32,50 X 3,0 ZN		38	48
34	0503010706	BOLT 1/2 UNC X 4.1/2 C S G.5 ZN		01	01
35	0503010023	3/4" SPRING WASHER		02	02
36	0502012702	BODY SUPPORT CLAMP		02	02
37	0503012555	SCREW 7/16 UNC X 2 CS RT G.7 ZN		02	02

LEFT SIDE FRAME



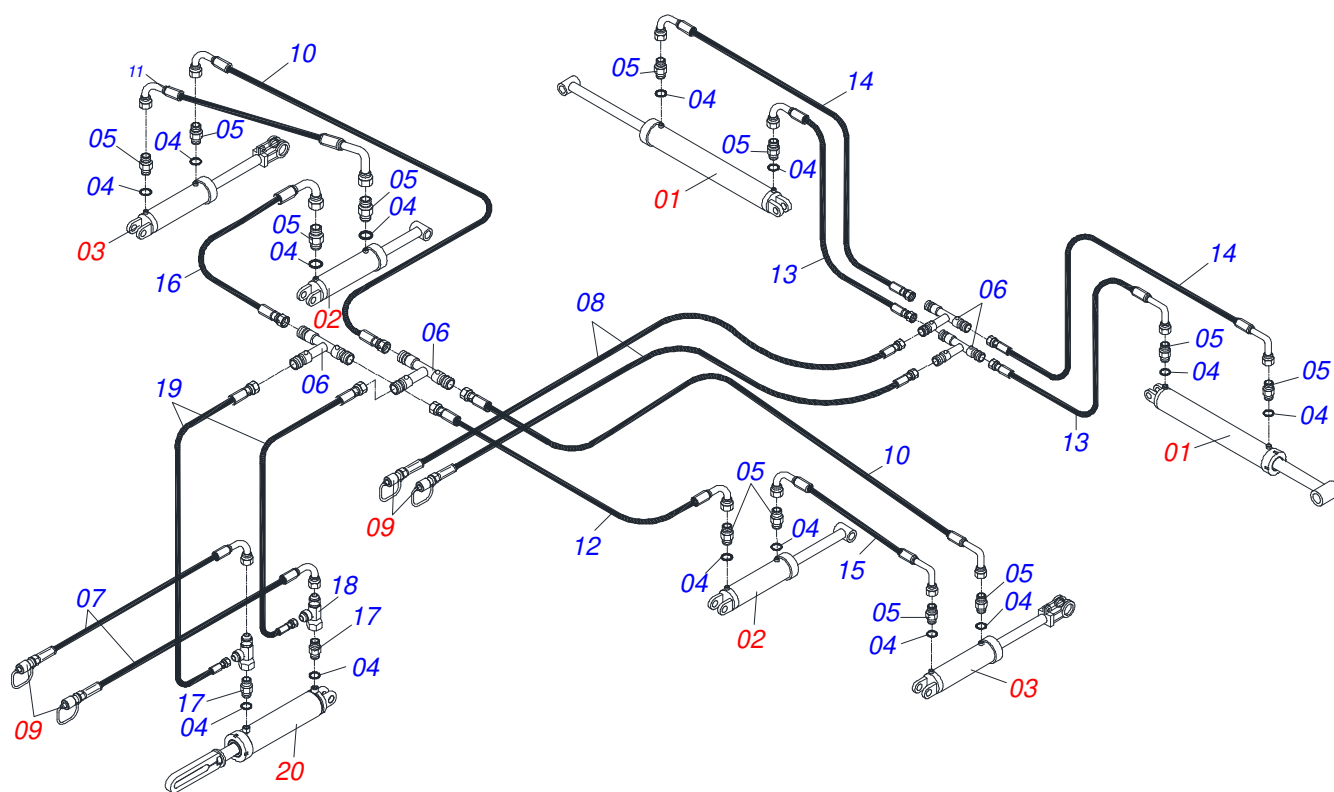
Item	Code	Description	See page	96	108
01	0521065587	LEFT SIDE FRAME - 96/108D		01	01
02	0521062987	CARRYING-WHEELS SIDE LEFT		01	01
03	0551019516	COUPLING SHAFT		01	01
04	0551019512	LOCK WASHER		02	02
05	0503010012	1" SPRING WASHER		02	02
06	0503011250	1" X 2" BOLT		02	02
07	0503010002	1800 GREASE FITTING		01	01
08	0521062963	REGULATOR SPINDLE		01	01
09	0501010110	1.1/2" NUT		02	02
10	0503010180	7/16" SPRING WASHER		02	02
11	0521012538	1.2" X 3.5" COUPLING SHAFT		02	02
12	0503010523	1/4" X 2" COTTERPIN		02	02
13	0503060181	WHEEL AND TIRE	19	01	01
14	0511045580	CARRYING WHEEL HUB ASSY	20	01	01
15	0521065079	LEFT REAR FRAME - 96D		01	00
16	0521065058	LEFT FRONT FRAME - 108D		00	01
17	0521065077	FRAME REAR LEFT - 96D		01	00
18	0521065060	FRAME REAR LEFT - 108D		00	01
19	0521062964	PIVOT SHAFT FRAME		02	02
20	0511017232	FLAT WASHER		02	02
21	0501011544	3/4" X 1-1/2" BOLT		02	02
22	0501069463	1" X 8" LOCK PIN		02	02
23	0503030119	LOCK PIN		02	02
24	0501040877	C1" X 3-1/4" ASSY BOLT		02	02
24A	0501014309	C1" X 3-1/4" BOLT		08	08
24B	0501010951	1" SQUARE WASHER		08	08
24C	0501010065	1" SPRING WASHER		08	08
24D	0503011438	SPRING WASHER		08	08
24E	0501010059	1.5/8 NUT		08	08
25	0511060204	CLEANER		18	24
26	0503010920	1/2 UNC X 1.1/2 C S G.5 ZN BOLT		36	48



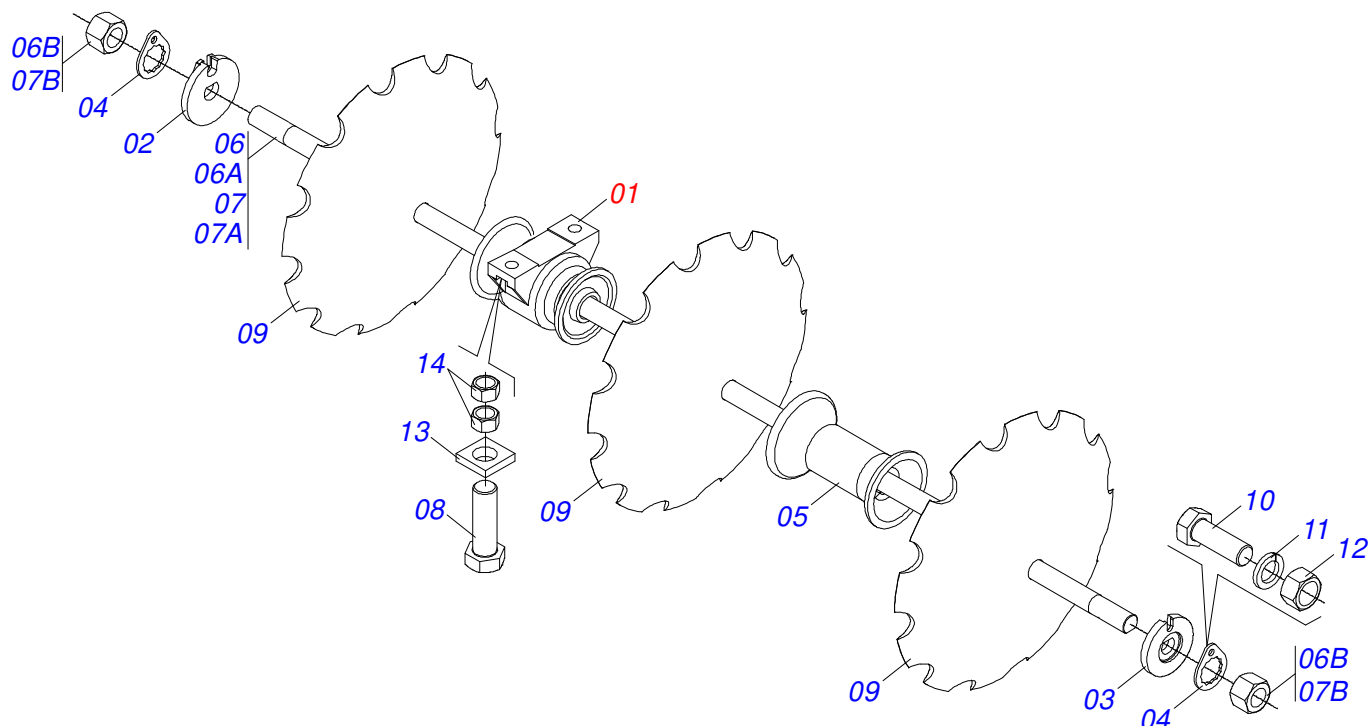
LEFT SIDE FRAME

0909090674

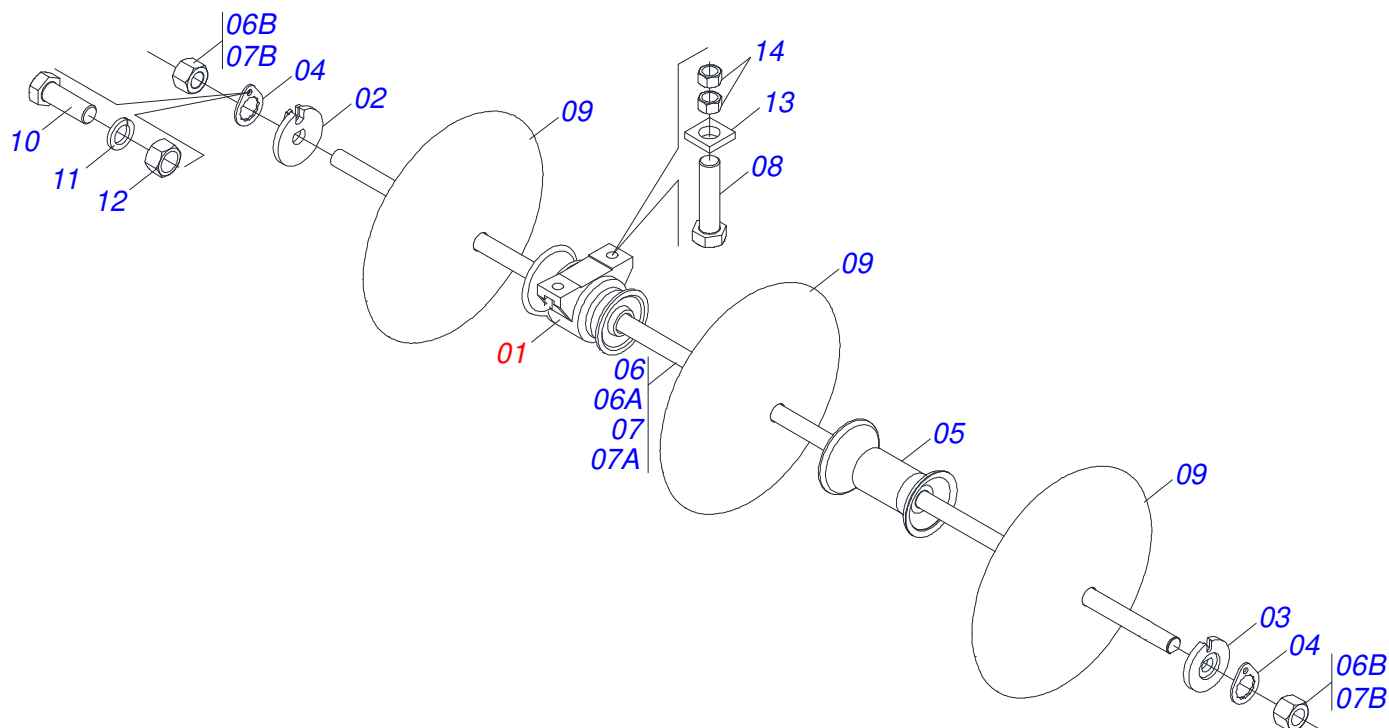
Item	Code	Description	See page	96	108
27	0503010060	1/2 UNC G.5 ZN HEX NUT		37	49
28	0503010019	1/2" SPRING WASHER		37	49
29	0511017302	FLAT WASHER 13,50 X 32,50 X 3,0 ZN		36	48
30	0503010706	BOLT 1/2 UNC X 4.1/2 C S G.5 ZN		01	01
31	0503010023	3/4" SPRING WASHER		02	02
32	0502012702	BODY SUPPORT CLAMP		02	02
33	0503012555	SCREW 7/16 UNC X 2 CS RT G.7 ZN		02	02



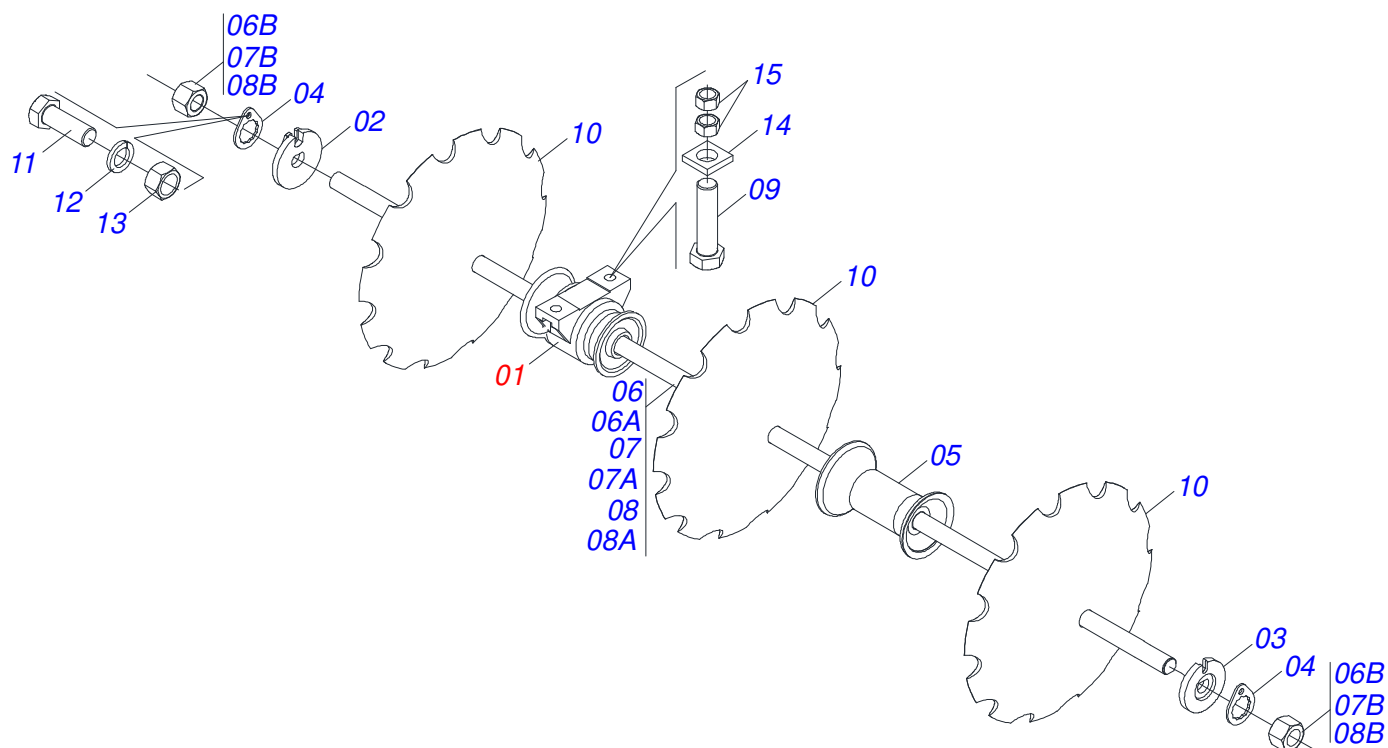
Item	Code	Description	See page	QT
00	0511055691	HOSE KIT		01
01	0511045827	HYDRAULIC CYLINDER 50.8 X 127 X 1292 X 933		02
02	0521045633	HYDRAULIC CYLINDER 53,98 X 101,60 X 515 X 205	6	02
03	0511045694	44,45 X 85,7 X 515 X 203 HYDRAULIC CYLINDER	7	02
04	0503010190	2-114 N 3006-9B O'RING		12
05	0501010617	3/4" NIPPLE		12
06	0503011271	3/4" UNF "T" CONNECTION T 3 SIDES		04
07	0501081956	HOSE 3/8 X 8500 TR-TM		02
08	0501081551	HOSE		02
09	0501053834	MALE QUICK COUPLER	8	04
10	0501081752	3/8" X 4900 TR-TC HOSE		02
11	0501080699	3/8" X 3500 TC-TC HOSE		01
12	0501080419	3/8 X 2100 TR-TC HOSE		01
13	0501080348	3/8 X 1200 TR-TC HOSE		02
14	0501080714	3/8 X 1600 TR-TC HOSE		02
15	0501080813	3/4" X 4100 TR-TC HOSE		01
16	0501080431	TR-TC HOSE ASSY		01
17	0561014252	3/4 UNF X 44 NIPPLE WITH REDUCTION		02
18	0503011968	3/4" 8R6X-S T ADAPTER WITH SWIVEL NUT		02
19	0501080411	TR-TR HOSE ASSY		02
20	0521044444	HYDRAULIC CILINDER	9	01



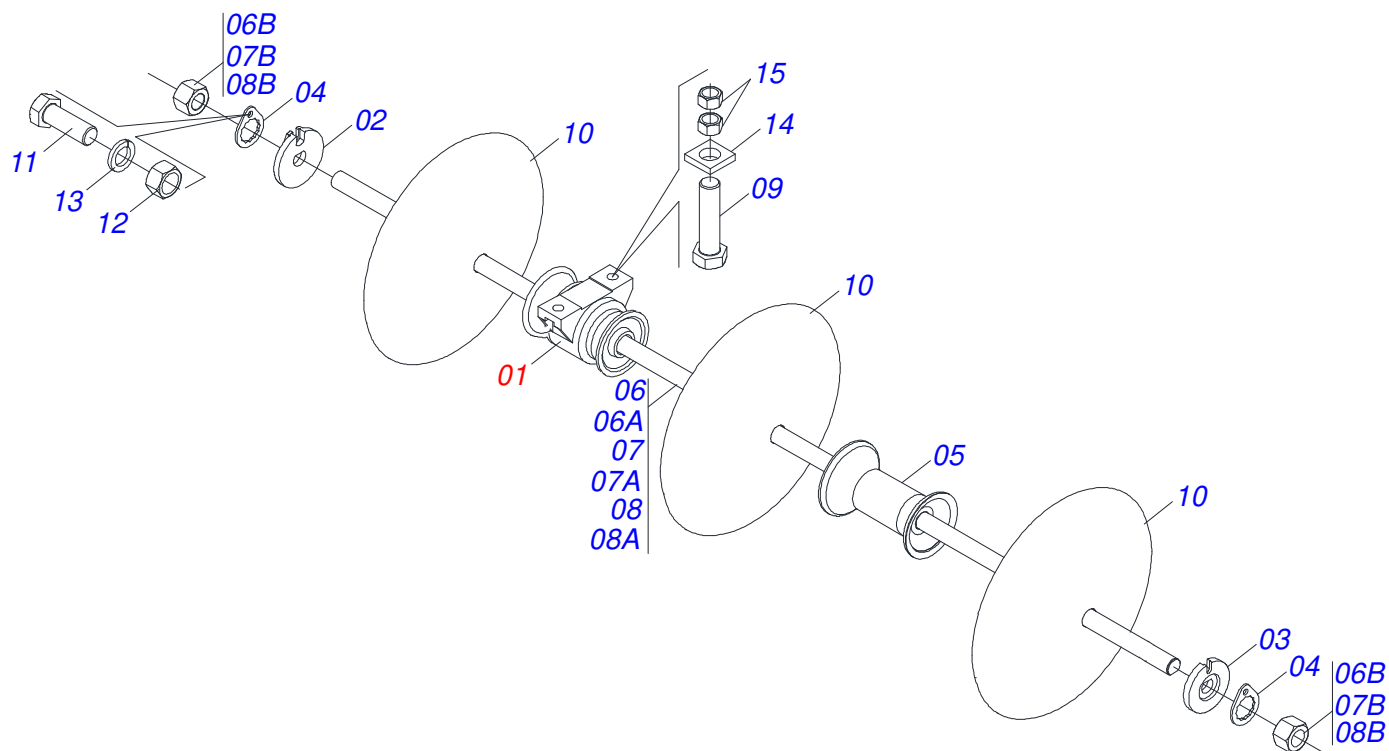
Item	Code	Description	See page	QT
01	0511040472	AGRICULTURAL BEARING	32	12
02	0502010872	1-1/2" INNER AXLE WASHER		06
03	0502010871	1-1/2" EXTERNAL AXLE WASHER		06
04	0501018592	1.5/8" NUT LOCK		12
05	0502011594	SPACER		36
06	0521040694	1-1/2" X 1320 AXLE ASSY		04
06A	0571010872	1-1/2" X 1320 AXLE ASSY		04
06B	0501010110	1.1/2" NUT		12
07	0521040668	1.1/2" X 1920 AXLE ASSY		02
07A	0571010817	1,1/2" X 1920 AXLE		02
07B	0501010110	1.1/2" NUT		04
08	0503012246	5/8" X 2-3/4" BOLT		24
09	0602029409	22" X 4,5 NOTCHED DISC BLADE		48
10	0503011267	5/8 UNC X 1.1/2 C S G.5 ZN BOLT		12
11	0503010027	5/8 SPRING WASHER		12
12	0503010013	5/8 NUT		12
13	0521013775	FLAT WASHER		24
14	0503010129	5/8" NUT		48



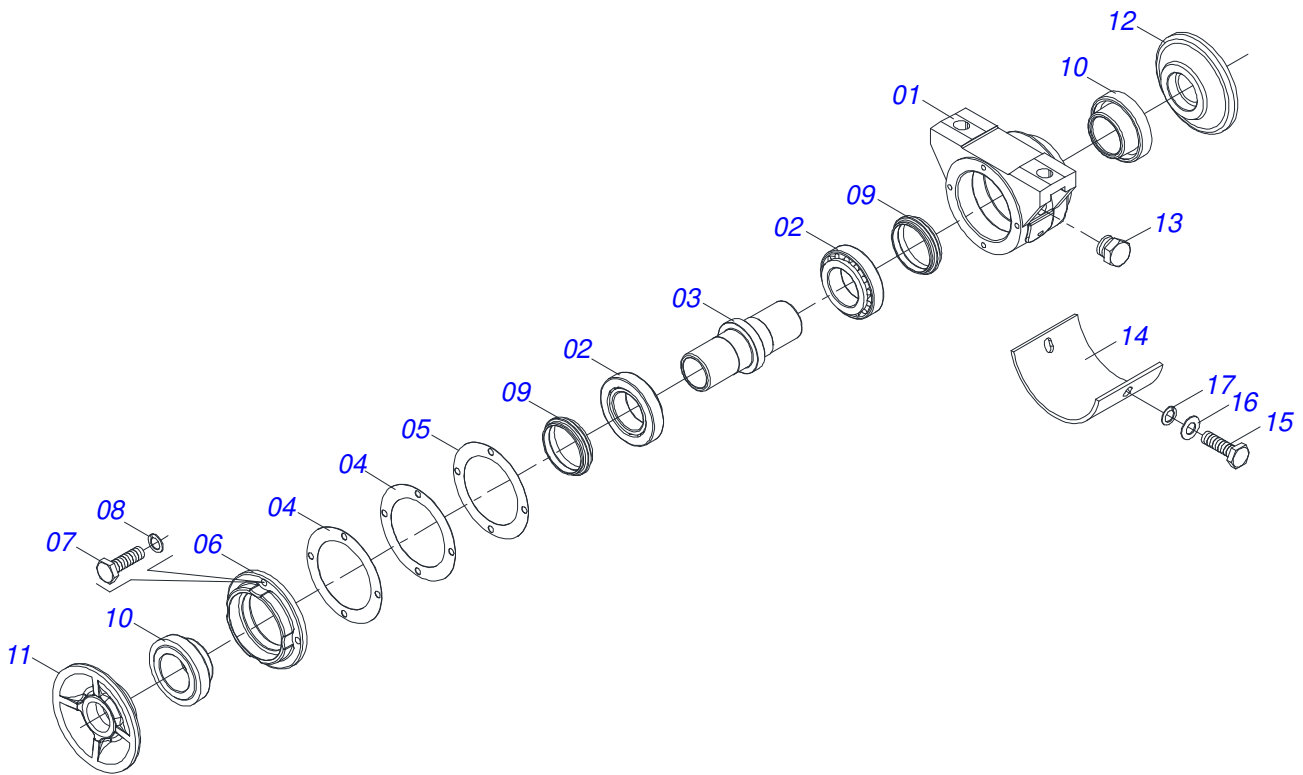
Item	Code	Description	See page	QT
01	0511040472	AGRICULTURAL BEARING	32	12
02	0502010872	1-1/2" INNER AXLE WASHER		06
03	0502010871	1-1/2" EXTERNAL AXLE WASHER		06
04	0501018592	1.5/8" NUT LOCK		12
05	0502011594	SPACER		36
06	0521040694	1-1/2" X 1320 AXLE ASSY		04
06A	0571010872	1-1/2" X 1320 AXLE ASSY		04
06B	0501010110	1.1/2" NUT		12
07	0521040668	1.1/2" X 1920 AXLE ASSY		02
07A	0571010817	1.1/2" X 1920 AXLE		01
07B	0501010110	1.1/2" NUT		02
08	0503012246	5/8" X 2-3/4" BOLT		24
09	0601029406	22" X 4,5 PLAIN DISC BLADE		48
10	0503011267	5/8 UNC X 1.1/2 C S G.5 ZN BOLT		12
11	0503010027	5/8 SPRING WASHER		12
12	0503010013	5/8 NUT		12
13	0521013775	FLAT WASHER		24
14	0503010129	5/8" NUT		48



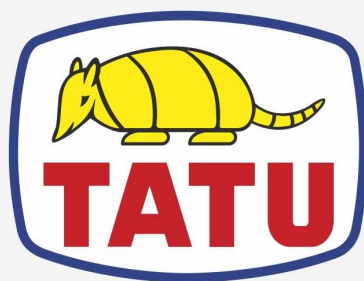
Item	Code	Description	See page	QT
01	0511040472	AGRICULTURAL BEARING	32	12
02	0502010872	1-1/2" INNER AXLE WASHER		06
03	0502010871	1-1/2" EXTERNAL AXLE WASHER		06
04	0501018592	1.5/8" NUT LOCK		12
05	0502011594	SPACER		36
06	0521040666	1,1/2" X 1520 AXLE ASSY		02
06A	0571010815	1,1/2" X 1520 AXLE		02
06B	0501010110	1.1/2" NUT		12
07	0521040667	1-1/2" X 1320 AXLE ASSY		02
07A	0571010816	1.1/2" X 1720 AXLE		01
07B	0501010110	1.1/2" NUT		02
08	0521040668	1.1/2" X 1920 AXLE ASSY		02
08A	0571010817	1,1/2" X 1920 AXLE		01
08B	0501010110	1.1/2" NUT		02
09	0503012246	5/8" X 2-3/4" BOLT		24
10	0601029406	22" X 4,5 PLAIN DISC BLADE		54
11	0503011267	5/8 UNC X 1.1/2 C S G.5 ZN BOLT		12
12	0503010027	5/8 SPRING WASHER		12
13	0503010013	5/8 NUT		12
14	0521013775	FLAT WASHER		24
15	0503010129	5/8" NUT		48



Item	Code	Description	See page	QT
01	0511040472	AGRICULTURAL BEARING	32	12
02	0502010872	1-1/2" INNER AXLE WASHER		06
03	0502010871	1-1/2" EXTERNAL AXLE WASHER		06
04	0501018592	1.5/8" NUT LOCK		12
05	0502011594	SPACER		36
06	0521040666	1,1/2" X 1520 AXLE ASSY		02
06A	0571010815	1,1/2" X 1520 AXLE		02
06B	0501010110	1.1/2" NUT		12
07	0521040667	1-1/2" X 1320 AXLE ASSY		02
07A	0571010816	1.1/2" X 1720 AXLE		01
07B	0501010110	1.1/2" NUT		02
08	0521040668	1.1/2" X 1920 AXLE ASSY		02
08A	0571010817	1,1/2" X 1920 AXLE		01
08B	0501010110	1.1/2" NUT		02
09	0503012246	5/8" X 2-3/4" BOLT		24
10	0602029413	DR 22 X 6 C74AF02FR1.9/16 10R		54
11	0503011267	5/8 UNC X 1.1/2 C S G.5 ZN BOLT		12
12	0503010013	5/8 NUT		12
13	0503010027	5/8 SPRING WASHER		12
14	0521013775	FLAT WASHER		24
15	0503010129	5/8" NUT		48



Item	Code	Description	See page	QT
01	0502012014	BODY BEARING		01
02	0503010006	32210 ROLLER BEARING		02
03	0502040514	157,50 / 157,35 AXLE		01
04	0503031730	JOINT SEALING		02
05	0503031729	JOINT SEALING		01
06	0502012015	BEARING COVER		01
07	0503010371	5/16" X 1" BOLT		04
08	0503011444	SPRING WASHER		04
09	0503030026	SEAL LP JB-253		02
10	0502010541	SEAL RETAINER		02
11	0502010604	OUTER FLANGE		01
12	0502010605	INNER FLANGE		01
13	0503010856	OIL PLUG		01
14	0521013857	PLATE PROTECTION		01
15	0503011334	BOLT 3/8 UNC X 3/4 CS G.5 ZN		02
16	0501010984	10,50 X 27 X 3,00 FLAT WASHER		02
17	0503010025	3/8 SPRING WASHER		02



MARCHESAN

Technical Publications | Elaboration and Revision

LUIZ CANDIDO

www.marchesan.com.br

