

PARTS CATALOG

AGRICULTURAL FRONT LOADER

PCA 1200 VTR

Code: 0501091187



Series: 0107

Review: MARÇO/2014

ORIGINAL PARTS
TATU

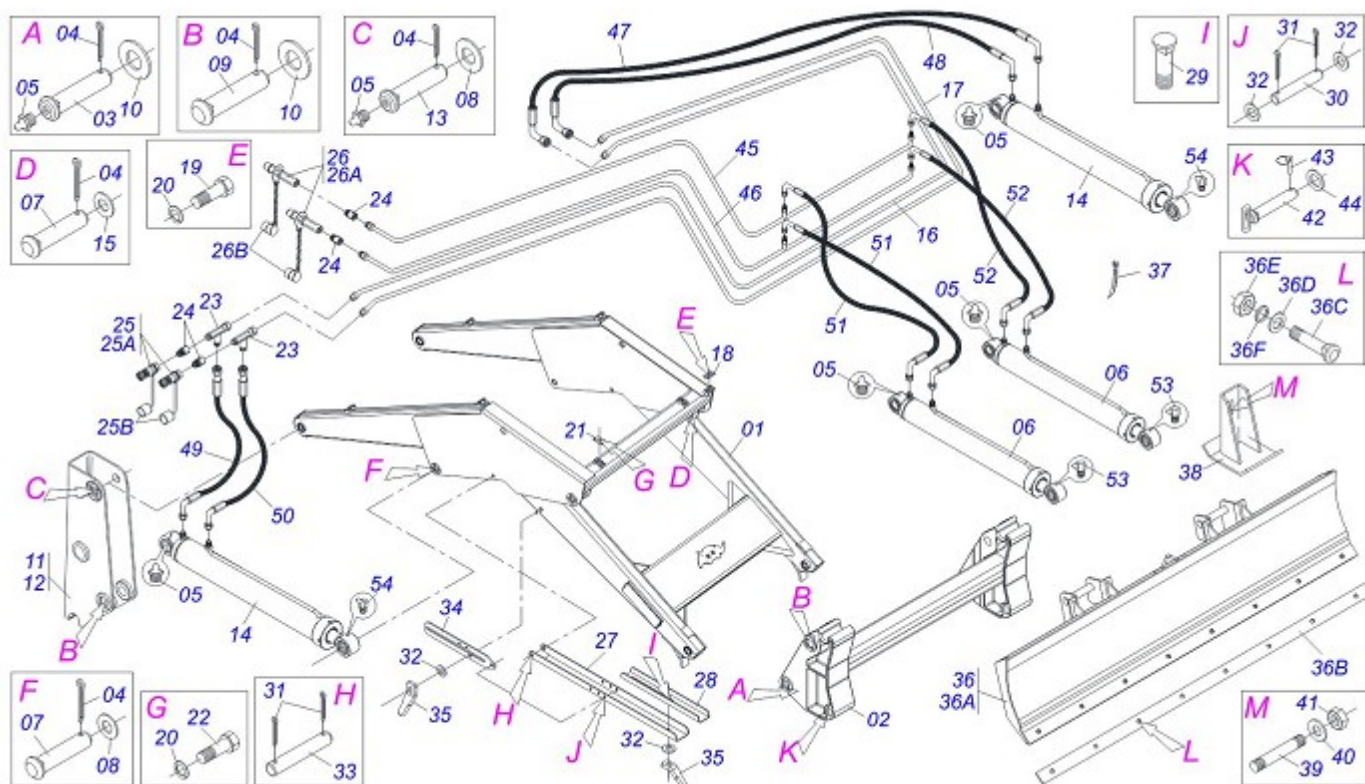


INDEX

.....	1
.....	2
.....	3
.....	4

ATTENTION: IMPORTANT

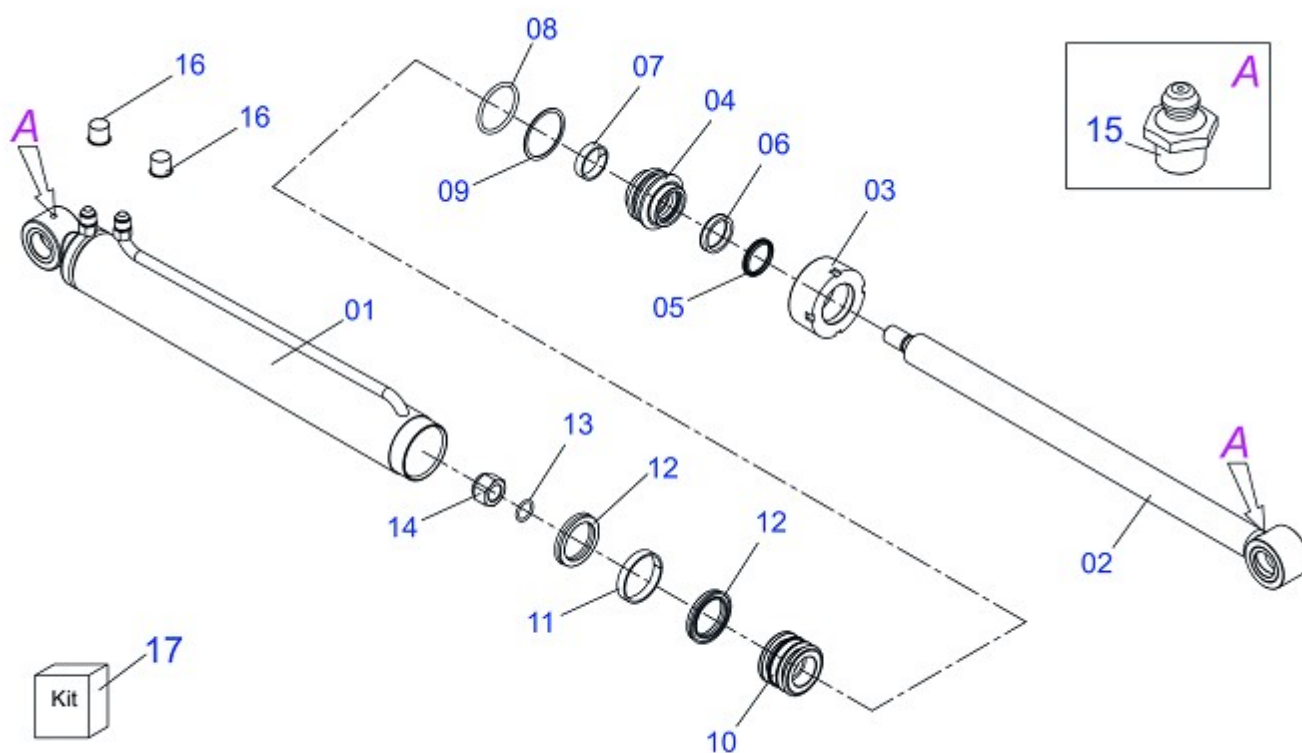
MARCHESAN RESERVES THE RIGHT AT ANY TIME TO MAKE IMPROVEMENTS IN THE DESIGN, MATERIAL OR SPECIFICATIONS OF MACHINERY, EQUIPMENT OR PARTS WITHOUT THEREBY BECOMING LIABLE TO MAKE SIMILAR CHANGES IN MACHINERY, EQUIPMENT OR PARTS PREVIOUSLY SOLD.



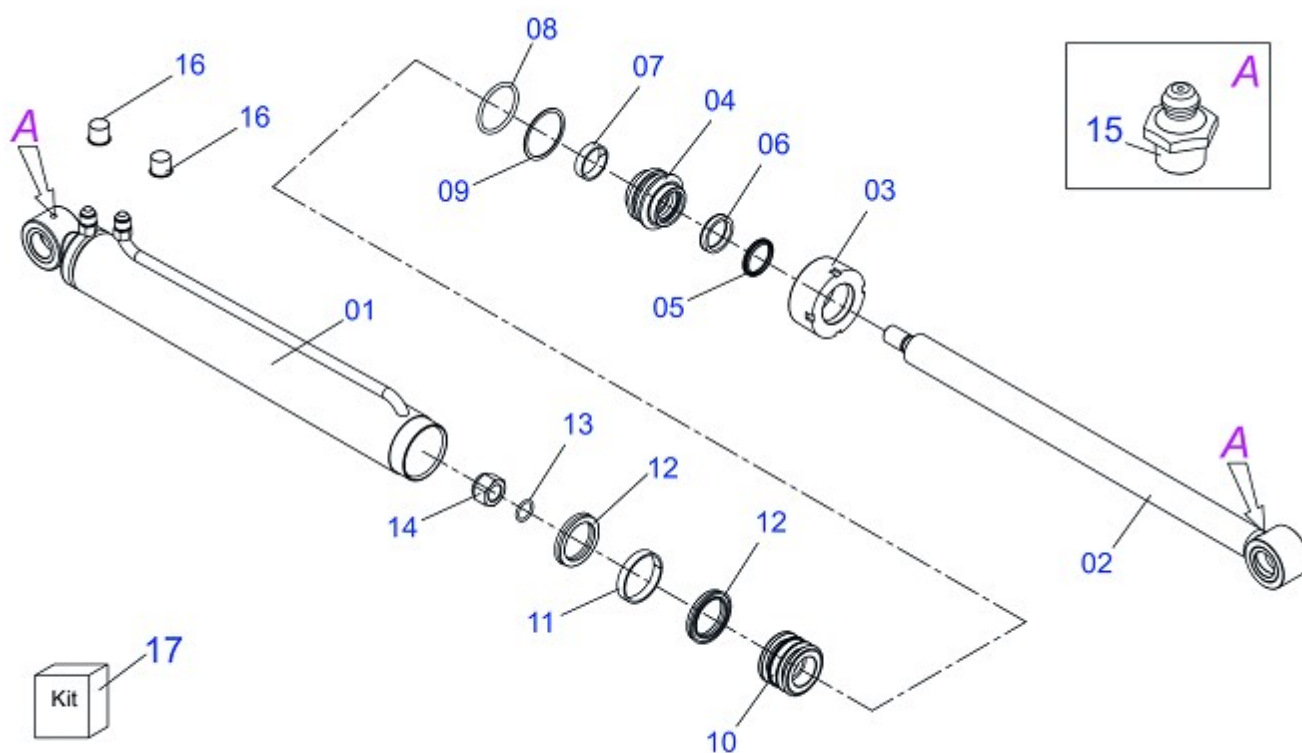
Item	Code	Description	QT
01	0511069377		01
02	0501069939	PIVOT SUPPORT	01
03	0521012870	1.46" X 6.18" PIVOT SHAFT	04
04	0503010534	3/8" X 2-1/2" COTTERPIN	12
05	0503010002	GREASE FITTING	04
06	0511046341		02
07	0521012868	1.4" X 5" PIVOT SHAFT	04
08	0511019685	FLAT WASHER	04
09	0521012869	COUPLING SHAFT	04
10	0511019685	FLAT WASHER	06
11	0511069379		01
12	0511069380		01
13	0521012870	1.46" X 6.18" PIVOT SHAFT	02
14	0511046342		02
15	0501016170	FLAT WASHER	02
16	0511069409		01
17	0511069408		01
18	0531011180	UPPER CLAMP BODY	07
19	0503011102	7/16" X 1-1/4" BOLT	01
20	0503010180	7/16" SPRING WASHER	06
21	0502010477	UPPER CLAMP BODY	06
22	0503012555	7/16" X 2" BOLT	06
23	0503012341	"T" 7/8" ADAPOR GIRAT NUT	02
24	0551018539		04
25	0501053835	FEMALE QUICK COUPLER	04
25A	0503011628	QUICK CONNECTION(FEM) AGR 1/2 NPT	01
25B	0503011883	QUICK CONNECTION COVER	01
26	0501053834	QUICK CONNECTION (MALE) 1/2NPT	04
26A	0503011627	QUICK CONNECTION (MALE) AGR 1/2 NPT	01
26B	0503011882	QUICK CONNECTION COVER	01
27	0561016401	PLOUGH SUPPORTE BODY	02
28	0561016619	COMPLEMENTON REST	02
29	0503014378	1/2" X 1-1/2" BOLT	02



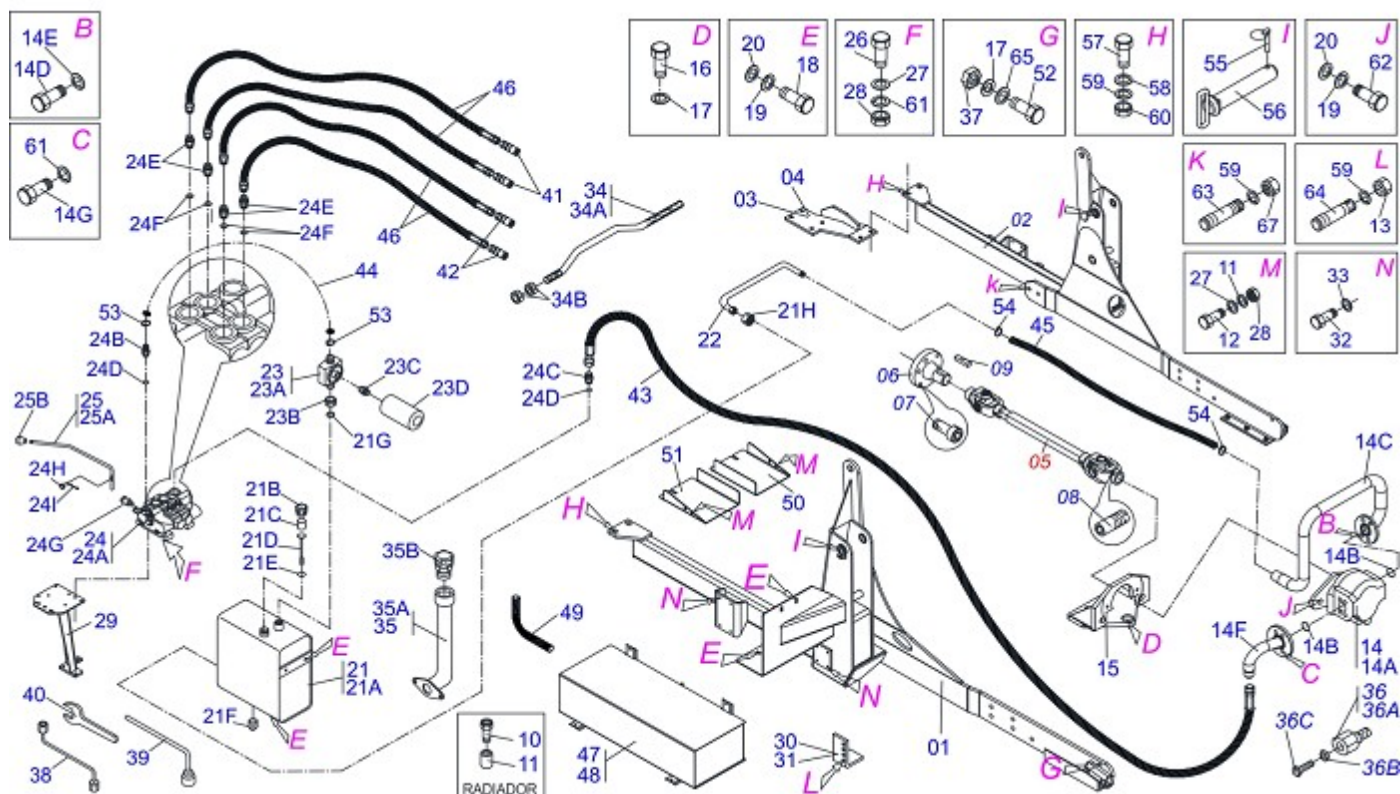
Item	Code	Description	QT
30	0521012823	COUPLING SHAFT	02
31	0503010071	3/16" X 1" COTTERPIN	08
32	0511017302	FLAT WASHER	08
33	0511013598	3/4" X 4.7" COUPLING SHAFT	02
34	0511019634	CONTROL LOCK	02
35	0561016329	LATCH HOLDER REST PCA	04
36	0511045185		01
36A	0511067600		01
36B	0622360011	2600 SCRAPER	01
36C	0501812240		08
36D	0501812140	FLAT WASHER	08
36E	0503810013		08
36F	0503011445	5/8" SPRING WASHER	08
36H	0503033429		01
37	0503013527	CLAMP ZIPER	04
38	0501063411	ESTABILIZER BRACKET	02
39	0561016756	STUD	04
40	0501010322	FLAT WASHER	04
41	0503010014	3/4" NUT	04
42	0511060085	1.47" X 9.25" PIVOT SHAFT	02
43	0503030430	7/16 X 2" PIN LOCK	02
44	0501012916	FLAT WASHER	02
45	0511069648		01
46	0511069649		01
47	0501081512		01
48	0501081511		01
49	0501080123	1/2" X 31" TR-TC HOSE ASSY	01
50	0501080092	1/2" X 700 TR-TC HOSE	01
51	0501081381		02
52	0501081382		02
53	0503010004	GREASE FITTING	02
54	0503010003	3/8" GREASE FITTING	02



Item	Code	Description	QT
001	0511069347		01
002	0511065578	1.7" X 28.18"TURNBUCLE	01
003	0502011899	MOBILE COVER	01
004	0502012264	RING SUPPORT 1.75" X 3"	01
005	0503010761	D-1750 SCRAPER RING	01
006	0503010990	GASKET	01
007	0503010949	W2-2000-500 PK RING G.E	01
008	0503010343	2-334 N 3006-9B O'RING	01
009	0503011059	8-334 BACK-UP RING	01
010	0502011898	1.8" X 3.0" PISTON	01
011	0503010992	W2-3000-500 PK RING G.E	01
012	0503012768	3750-2250 GASKET	02
013	0503010042	2-214 N 3006-9B O'RING	01
014	0503010063	1" SELF-ALIGNING NUT	01
015	0503010002	GREASE FITTING	02
016	0503030387	PLUG	02



Item	Code	Description	QT
001	0511069348		01
002	0511063302	1.75" X 28.7" TURNBUCLE	01
003	0502010993	DETACHABLE COVER	01
004	0502010781	RING SUPPORT	01
005	0503010761	D-1750 SCRAPER RING	01
006	0503010990	GASKET	01
007	0503010949	W2-2000-500 PK RING G.E	01
008	0503011060	8-336 BACK-UP RING	01
009	0503010976	2-336 N 3006-9B O'RING	01
010	0503010042	2-214 N 3006-9B O'RING	01
011	0502010843	1.8" X 3.4" PISTON	01
012	0503010170	PACKING 3120 2750	02
013	0503010948	W4-3346-590 PK RING G.E	01
014	0503010063	1" SELF-ALIGNING NUT	01
015	0503010002	GREASE FITTING	02
016	0503030387	PLUG	02



Item	Code	Description	QT
01	0511069271		01
02	0511069273		01
03	0501064839	RH FRAME BRACKET	01
04	0501064840	LH FRAME BRACKET	01
05	0521040135		01
06	0521016647	COUPLING FLANGE	01
07	0503012730	M8 X 2.9" BOLT	06
08	0503011148	3/8" X 1/2" BOLT	02
09	0503031031	1/4" KEYWAY SQUARE	02
10	0503011384	M8 X 0.2" BOLT	04
11	0521017843	0.33" X 0.63" X 0.85" SLEEVE	04
12	0503010751	3/8" X 1.1/4" HEX BOLT G.5	04
13	0503010335	3/4" NUT	22
14	0503062013	H40 PUMP SHAFT 1 CHV	01
14A	0503010173	2-220 N 3006-9B O'RING	02
14C	0511069226		01
14D	0503010355	7/16" X 1" BOLT	04
14E	0503010180	7/16" SPRING WASHER	04
14F	0511069050		01
14G	0503011087	3/8" X 1" BOLT	04
15	0511069225		01
16	0503011167	M16 X 2 BOLT	03
17	0503010027	5/8" SPRING WASHER	01
18	0501010161	1/2" X 1-1/4" BOLT	04
19	0511017302	FLAT WASHER	04
20	0503010019	1/2" SPRING WASHER	04
21	0501049879	OIL RESERVOIR	01
21A	0511063248	OIL RESERVOIR	01
21B	0502020472	TANK COVER BODY	01
21C	0503030044	FILTERING ELEMENT	01
21D	0501060975	OIL GAGE	01
21E	0503010185	2-221 N 3006-9B O'RING	01
21F	0503031604	1/2" BSP PLUG	01



Item	Code	Description	QT
21G	0503010046	2-216 N 3006-9B O'RING	01
21H	0501016309	2" 1X 2.5/16" NUT	01
22	0501063383	TANK OUTER TUBE	01
23	0501041108	RETURNING FILTER ASSY	01
23A	0502050002	RETURNING FILTER HEAD	01
23B	0501010594	1" NUT	01
23C	0501010595	1" NF NIPPLE	01
23D	0503010183	RETURNING FILTER	01
24	0501041627	1/2" DOUBLE COMMAND	01
24A	0503060016	1/2"DOUBLE COMMAND	01
24B	0501010591	HOSE NIPPLE	01
24C	0501010589	1-1/16 NIPPLE	01
24D	0503011109	2-119 N 3006-9B O'RING	01
24E	0511010111	7/8" NIPPLE	04
24F	0503010045	2-116 N 3006-9B O'RING	04
24G	0503030347	UPPER LEVER ASSY (SAUER DANFOSS)	02
24H	0521010533	0.3" X 1" COUPLING SHAFT	02
24I	0503010140	1/8" X 3/4" COTTERPIN	02
25	0501047446	CONTROL VALVE (P/COM 1/2 PCA)	02
25A	0501068681	1/2" CONTROL VALVE	01
25B	0503030878	LEVER CRANK	01
26	0501010080	3/8" X 1-1/2" BOLT	03
27	0501010984	FLAT WASHER	03
28	0503010026	3/8" NUT	03
29	0521061623	SUPPORT CONTROL VALVE	01
30	0511014395	FRONT AXLE BEATER	01
31	0511014396	FRONT AXLE BEATER	01
32	0503015106		16
33	0503010179	5/16" SPRING WASHER	16
34	0511044706		01
34A	0541019517		01
34B	0501010087	1.1/4" UNC NUT	01
35	0501057995		01
35A	0511069343		01
35B	0511011777		01
36	0501051748	ADAPTER ASSY	02
36A	0511016921	ADAPTER BODY BOLT BEATER	02
36B	0521010905	M16 X 08" X 0.23" PD V 1380-4S NUT	02
36C	0521010906	M16 X 2 X 50 BOLT	01
37	0503010013	5/8" NUT	01
38	0501068213	5/8" WRENCH DOUBLE	01
39	0501061617	1" WRENCH CYLINDRICAL HEX	01
40	0511010153	2-5/16" FIXED WRENCH	01
41	0501053834	QUICK CONECTION (MALE) 1/2NPT	01
42	0501053835	FEMALE QUICK COUPLER	02
43	0501080255		01
44	0551013650	1 X 1300 AB-AB HOSE ASSY	01
45	0511016008		01
46	0501080849	1/2" X 2100 TR-TM HOSE	04
47	0501057985		01
48	0501057986		01
49	0503012733	AUXILIARY TANK TUBE	02
50	0551017061		01
51	0551017062		01
52	0501010100	5/8" X 2" BOLT	08
53	0503010184	1-1/4" TO 1-1/2" CLAMP	08
54	0503010243	1-1/2" TO 2" CLAMP	02
55	0503030430	7/16 X 2" PIN LOCK	02
56	0511060085	1.47" X 9.25" PIVOT SHAFT	02
57	0501010500	3/4" X 3" BOLT	04
58	0501010322	FLAT WASHER	04
59	0503010023	3/4" SPRING WASHER	04



Item	Code	Description	QT
60	0503010014	3/4" NUT	04
61	0503010025	3/8" SPRING WHASHER	13
62	0503010920	1/2" X 1.1/2" BOLT	02
63	0501010603	3/4" X 3.74" STUD	14
64	0511014160	3/4" X 4.52" STUD	04
65	0501012140	FLAT WASHER	08



MARCHESAN

MARCHESAN IMPLEMENTOS E MÁQUINAS AGRÍCOLAS TATU S.A.

AV. Marchesan, 1979 - Post office box, 131 - CEP 15994-900 - Matão - SP - Brazil

Phone +55 16.3382-8282

(FAX Parts) + 55 16.3382. 8297 - (Export) + 55 16.3382.1003

e.mail: tatu@marchesan.com.br www.marchesan.com.br

*Drafting and Illustration = GASPARI
e.mail = jgaspari@marchesan.com.br*

**ORIGINAL PARTS
TATU**



MARCHESAN