

PARTS CATALOG

CHASER BIN

DCA 5500 LA-CP-EI

Code: 0501091181



Series: S-0405

Review: MARÇO/2015

ORIGINAL PARTS
TATU



PRODUCTS

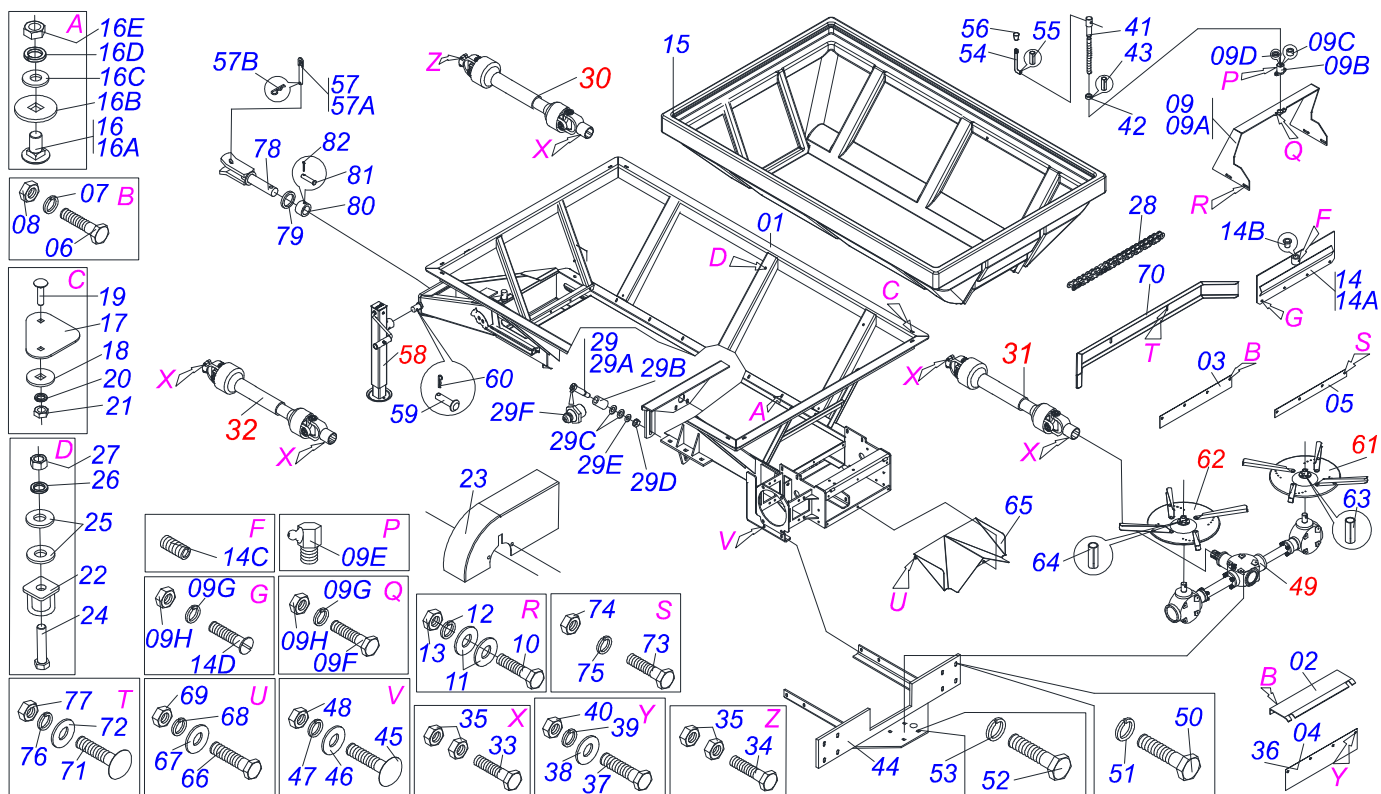
Code	Description
0109090074	DCA 5500-LA S-0405
0109090073	DCA 5500-LA-CP S-0405
0109090089	DCA 5500-LA-CP EI PN11L15 S-0405
0109090157	DCA 5500-LA-CP ESTEIRA INOX S-0405
0109090131	DCA 5500-LA-CP PN11L15 S-0405

ATTENTION: **IMPORTANT**

MARCHESAN S/A RESERVES THE RIGHT AT ANY TIME TO MAKE IMPROVEMENTS IN THE DESIGN, MATERIAL OR SPECIFICATIONS OF MACHINERY, EQUIPMENT OR PARTS WITHOUT THEREBY BECOMING LIABLE TO MAKE SIMILAR CHANGES IN MACHINERY, EQUIPMENT OR PARTS PREVIOUSLY SOLD.

INDEX

0909090664	REAR ASSY	1
0909090665	FRONT ASSY	2
0909090666	SYSTEM CARRYING WHEELS	3
0511043844	CARDAN	4
0503062211	SPEED MULTIPLIER	5
0501048241	DRIVE SHAFT	6
0501046805	DRIVE SHAFT	7
0503062157	HEADER JACK	8
0501056350	DISTRIBUTOR DISC	9
0501056349	DISTRIBUTOR LEFT DISC ASSY	10
0501047985	REDUCER	11
0501051142	CARRYING WHEEL HUB	12
0503060181	WHEEL AND TIRE	13



Item	Code	Description	QT
001	0511066709	DCA 5500-LA-CP FRAME	01
002	0501067379	MAT REAR PROTECTION	01
003	0511014562	PROTECTION SMALLER	01
004	0511011866	PROTECTION LARGER	01
005	0511016575	RUBBER COVER FIXER	02
006	0503010237	3/8" X 1" BOLT	07
007	0503011443	SPRING WASHER	07
008	0503010026	3/8" NUT	07
009	0501054846	SLUICE VALVE SUPPORT	01
009A	0501069841	SLUICE VALVE SUPPORT	01
009B	0502010581	ROD BEARING	01
009C	0521010457	SLEEVE	01
009D	0521010458	SLEEVE	01
009E	0503010004	1890 GREASE FITTING	03
009F	0503010358	5/16" X 5/8" BOLT	02
009G	0503011444	SPRING WASHER	06
009H	0503010337	5/16" NUT	06
010	0503010751	C3/8" X 1.1/4" HEX BOLT G.5	04
011	0501010984	FLAT WASHER	08
012	0503011443	SPRING WASHER	04
013	0503010026	3/8" NUT	04
014	0501054847	SLUICE VALVE COVER ASSY	01
014A	0501069181	SLUICE VALVE COVER	01
014B	0501019831	ADJUSTING NUT	01
014C	0503011148	3/8" X 1/2" BOLT	01
014D	0503010546	5/16" X 7/8" BOLT	04
015	0503032119	FERTILIZER HOUSING	01
016	0511049955	SET BOX PLASTIC	14
016A	0503013755	3/8" UNC X 3/4" CS BOLT	14
016B	0571010026	FLAT WASHER	14
016C	0503012546	FLAT WASHER	14
016D	0503012535	3/8" SPRING WASHER	14
016E	0503012531	3/8" INOX NUT	14



REAR ASSY

0909090664

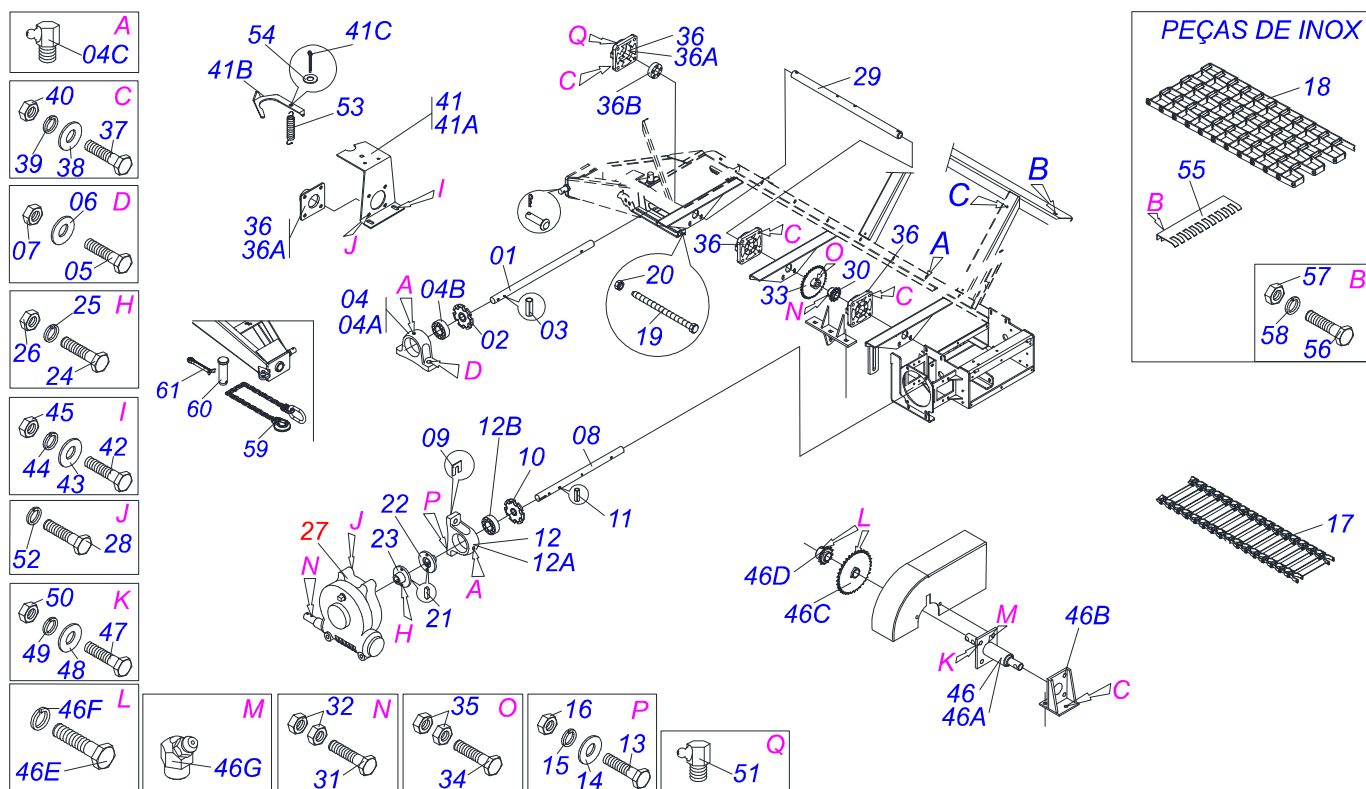
Item	Code	Description	QT
017	0541017364	SIDE BOX PLASTIC FIXER	04
018	0541015706	SQUARE FLAT WASHER	06
019	0503012541	3/8" X 1-1/2" BOLT	14
020	0503012535	3/8" SPRING WASHER	14
021	0503012531	3/8" INOX NUT	14
022	0511066716	TRANSPORT SUPPORT	06
023	0511061156	COVER	01
024	0503010899	5/8" X 2-1/4" BOLT	06
025	0501012140	FLAT WASHER	12
026	0503010027	SPRING WASHER	06
027	0503010013	5/8" NUT	06
028	0503013003	50-1 CHAIN X 79 LINK + REDUCTION + MENDING	01
029	0501050828	CHAIN TENSIONER	01
029A	0521010640	COUPLING SHAFT TENSIONER	01
029B	0511016554	TENSIONER ROLD	02
029C	0501010301	FLAT WASHER	02
029D	0503010013	5/8" NUT	01
029E	0511015098	FLAT WASHER	01
029F	0503010002	1800 GREASE FITTING	01
030	0511043844	CARDAN	01
031	0501048241	DRIVE SHAFT	01
032	0501046805	DRIVE SHAFT	01
033	0503011268	3/8" X 2-1/2" BOLT	05
034	0503010765	3/8" X 3" BOLT	01
035	0503010026	3/8" NUT	12
036	0501019460	REAR PROTECTION	01
037	0503010237	3/8" X 1" BOLT	05
038	0501010984	FLAT WASHER	05
039	0503010025	3/8 SPRING WASHER	05
040	0503010026	3/8" NUT	05
041	0561014861	REGULATOR	01
042	0511013015	SLEEVE	01
043	0503010561	SPRING PIN	01
044	0511066647	REDUCTOR FIXER SUPPORT	01
045	0503014378	1/2" X 1-1/2" BOLT	04
046	0501012803	FLAT WASHER	04
047	0503011440	SPRING WASHER	04
048	0503010060	1/2" NUT	04
049	0503062211	SPEED MULTIPLIER	01
050	0503010188	M10 X 1,5 X 30 BOLT	08
051	0503011443	SPRING WASHER	08
052	0503010428	M12 X 1,75 X30 BOLT	04
053	0503011440	SPRING WASHER	04
054	0521011107	CRANK BODY	01
055	0503010838	0.1" X 0.8" SPRING PIN	01
056	0503030878	LEVER CRANK	01
057	0501047881	COUPLING SHAFT	01
057A	0501068989	COUPLING SHAFT	01
057B	0503031035	HAIR PIN	01
058	0503062157	HEADER JACK	01
059	0521010549	COUPLING SHAFT	01
060	0503030168	HAIR PIN	01
061	0501056350	DISTRIBUTOR DISC	01
062	0501056349	DISTRIBUTOR LEFT DISC ASSY	01
063	0503010361	SPRING PIN	02
064	0503010756	0.2" X 2.4" SPRING PIN	02
065	0511066728	FLOW DIVIDING	01
066	0503011268	3/8" X 2-1/2" BOLT	02
067	0501010984	FLAT WASHER	02
068	0503010025	3/8 SPRING WASHER	02
069	0503010026	3/8" NUT	02
070	0541016988	BAMPER SUPPORT	01



REAR ASSY

0909090664

Item	Code	Description	QT
071	0501011643	3/8 X 1"BOLT	02
072	0501010984	FLAT WASHER	02
073	0503014175	3/8" X 1.1/2" BOLT	04
074	0503012531	3/8" INOX NUT	04
075	0503012535	3/8" SPRING WASHER	04
076	0503011443	SPRING WASHER	02
077	0503010026	3/8" NUT	02
078	0501069166	TRACTOR HITCH	01
079	0521015342	WASHER SPACER	01
080	0521010681	BUSHING COUPLING BODY	01
081	0521010639	COUPLING SHAFT	01
082	0503010571	1/4" X 1.1/2 COTTERPIN	01



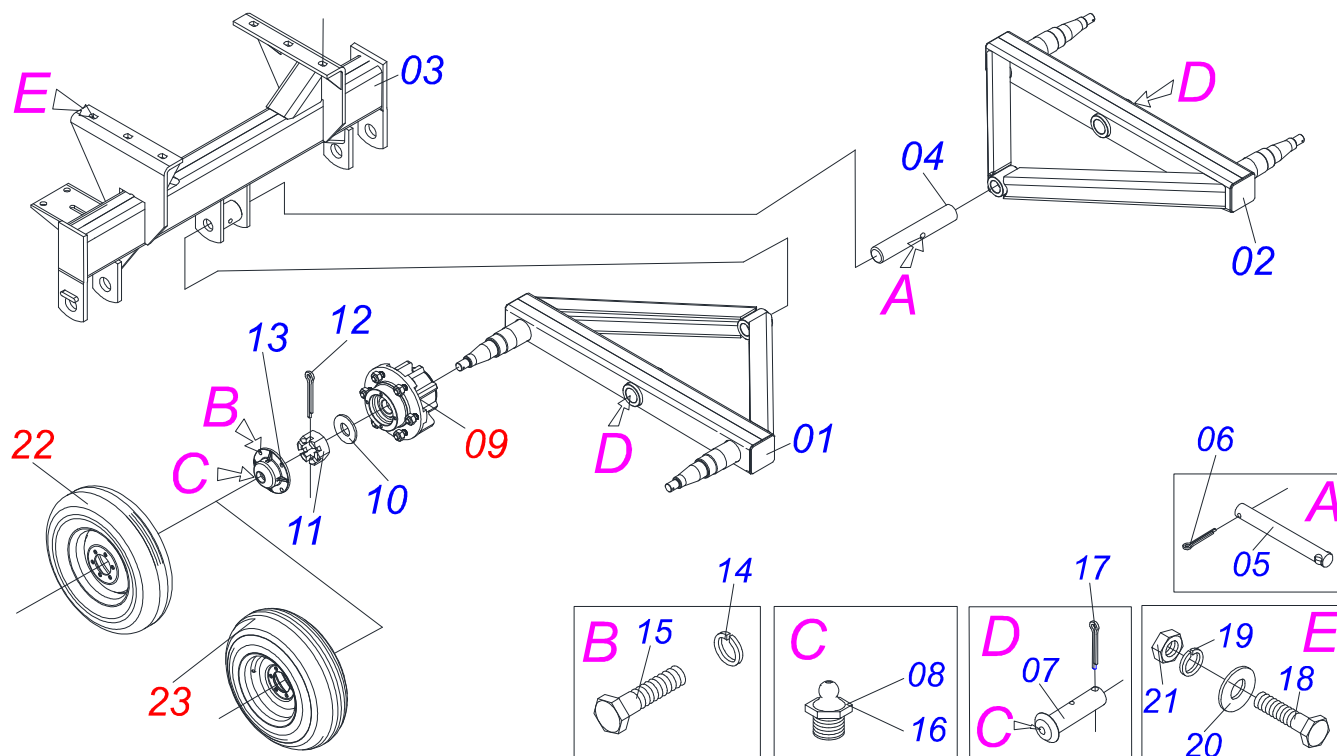
Item	Code	Description	QT
01	0511016482	DRIVEN AXLE	01
02	0502040728	7Z GEAR	02
03	0503010361	SPRING PIN	02
04	0501044308	AGRICULTURAL BEARING ASSY	02
04A	0502011050	AGRICULTURAL HOUSING BEARING	02
04B	0503011163	1108/UCR BEARING ASSY	02
04C	0503010004	1890 GREASE FITTING	02
05	0503010899	5/8" X 2-1/4" BOLT	04
06	0501012140	FLAT WASHER	08
07	0503010013	5/8" NUT	04
08	0511016481	MOTOR SHAFT	01
09	0501010794	HIDR CHOCK REGULATOR	04
10	0502040728	7Z GEAR	02
11	0503010361	SPRING PIN	02
12	0501044308	AGRICULTURAL BEARING ASSY	02
12A	0502011050	AGRICULTURAL HOUSING BEARING	02
12B	0503011163	1108/UCR BEARING ASSY	02
12C	0503010004	1890 GREASE FITTING	02
13	0503010740	1/2" X 2" BOLT	04
14	0511017302	FLAT WASHER	04
15	0503011440	SPRING WASHER	04
16	0503010060	1/2" NUT	04
17	0501067591	DRIVE THE FERTILIZER TRANSPORT	01
18	0511048904	DRIVE THE TRANSPORT	01
19	0501067853	ROD STABILIZER	02
20	0503010013	5/8" NUT	02
21	0501010540	KEYWAY SQUARE	02
22	0511016540	MAT COUPLING FLANGE	01
23	0511016541	REDUCTION COUPLING FLANGE	01
24	0503010849	3/8" X 1-1/2" BOLT	02
25	0503011443	SPRING WASHER	02
26	0503010026	3/8" NUT	02
27	0501047985	REDUCER	01



FRONT ASSY

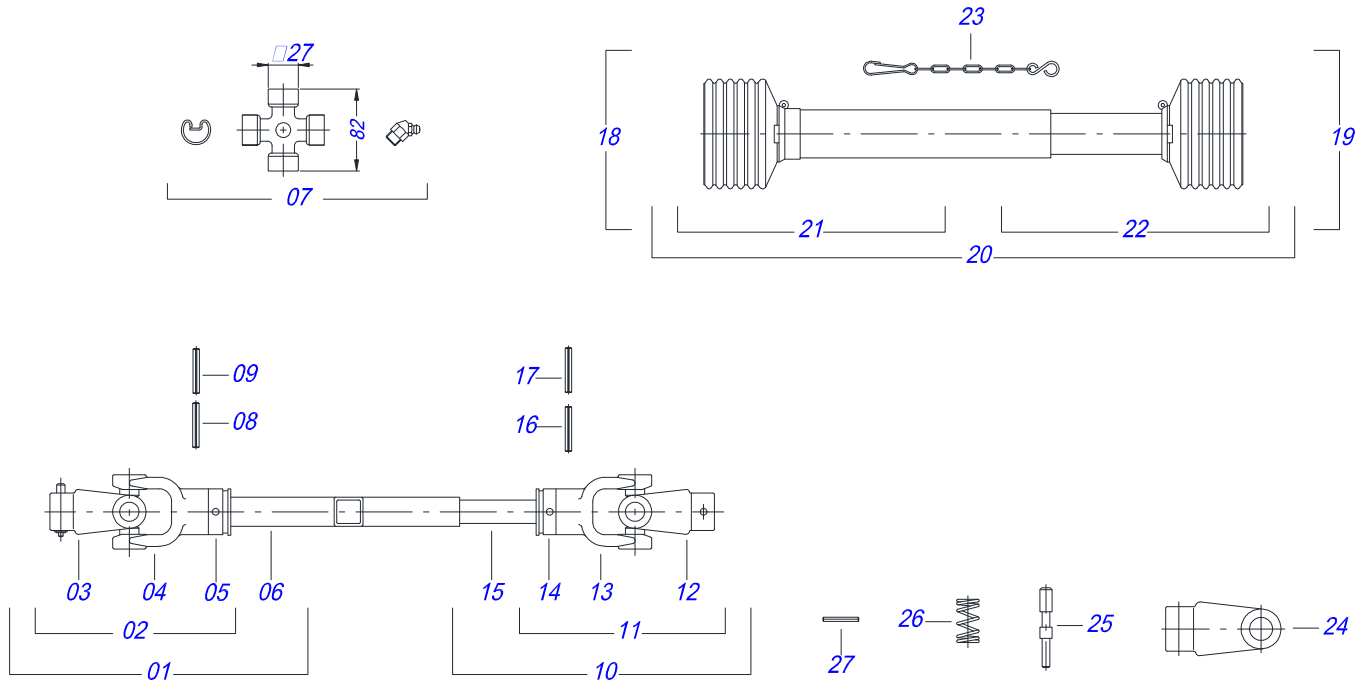
0909090665

Item	Code	Description	QT
28	0503011167	M16 X 2 X 30 BOLT	04
29	0521011936	88.98" TRANSMISSION AXLE	01
30	0501069017	12Z GEAR	01
31	0503011268	3/8" X 2-1/2" BOLT	01
32	0503010026	3/8" NUT	01
33	0501069020	35Z GEAR	02
34	0503011268	3/8" X 2-1/2" BOLT	01
35	0503010026	3/8" NUT	01
36	0501044306	BATH BEARING	03
36A	0503011146	HOUSING BEARING	03
36B	0503011162	BALL BEARING	03
37	0503011135	7/16" X 1-1/2" BOLT	12
38	0501012803	FLAT WASHER	08
39	0503011446	SPRING WASHER	12
40	0503010244	7/16" NUT	12
41	0501056885	CARDAN LEVER SUPPORT	01
41A	0501066588	CARDAN LARGE SUPPORT	01
41B	0511014066	CARDAN SMALLE SUPPORT	01
41C	0503010257	1/8" X 1" COTTERPIN	01
42	0503010920	1/2" X 1.1/2" BOLT	02
43	0511017302	FLAT WASHER	02
44	0503011440	SPRING WASHER	02
45	0503010060	1/2" NUT	02
46	0501047359	CARDAN TRANSMISSION HUB ASSY	01
46A	0501046852	CARDAN TRANSMISSION HUB	01
46B	0501067586	TRANMISSION HUB SUPPORT	01
46C	0501069020	35Z GEAR	02
46D	0501069017	12Z GEAR	01
46E	0503011268	3/8" X 2-1/2" BOLT	02
46F	0503010026	3/8" NUT	04
46G	0503010003	1845 GREASE FITTING	01
46H	0501012803	FLAT WASHER	01
47	0503011135	7/16" X 1-1/2" BOLT	04
48	0501012803	FLAT WASHER	03
49	0503011446	SPRING WASHER	03
50	0503010244	7/16" NUT	03
51	0503011098	1/4" GREASE FITTING	04
52	0503011445	SPRING WASHER	16
53	0503030198	0.6" X 2.4" X 0.1" EXTENSION SPRING	01
54	0503010571	1/4" X 1.1/2 COTTERPIN	01
55	0501068211	MAT INOX REAR PROTECTION	01
56	0503014175	3/8" X 1.1/2" BOLT	04
57	0503012531	3/8" INOX NUT	04
58	0503012535	3/8" SPRING WASHER	04
59	0503013150	1300 X 3/8 CHAIN	01
60	0581011220	COUPLING SHAFT	01
61	0503010131	3/16" X 1-1/2" COTTERPIN	01

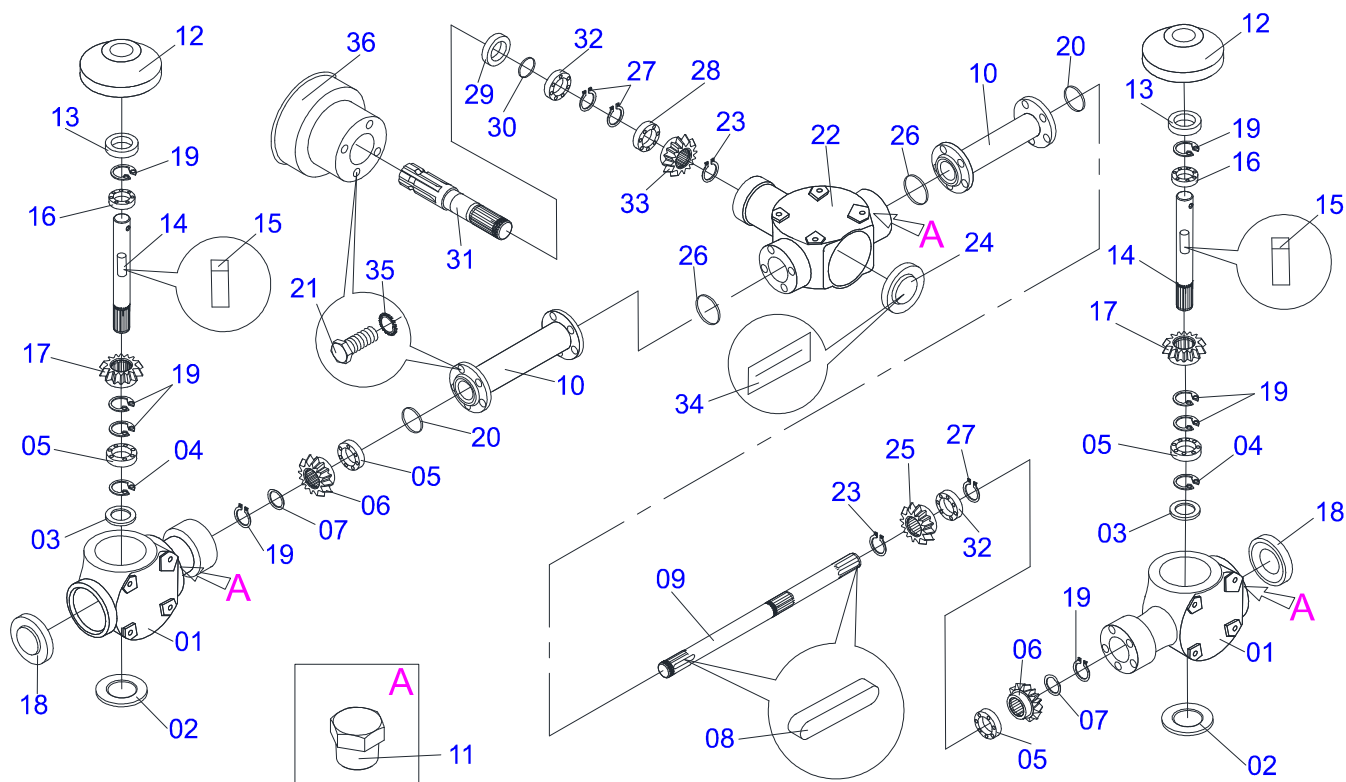


Item	Code	Description	QT
000	0501047998	BELL CRANK FIXATION SUPPORT ASSY	01
001	0501069182	RIGHT ROCKER ARM	01
002	0501069183	LEFT ROCKER ARM	01
003	0501066174	BELL CRANK FIXATION SUPPORT	01
004	0521011118	COUPLING SHAFT	01
005	0521010641	COUPLING SHAFT	01
006	0503010297	5/32" X 1.1/4" COTTER PIN	01
007	0521010956	PIVOT SHAFT	02
008	0503010002	1800 GREASE FITTING	03
009	0501051142	CARRYING WHEEL HUB	04
010	0501016545	FLAT WASHER	04
011	0503030009	1" CASTLE NUT	04
012	0503010131	3/16" X 1-1/2" COTTERPIN	04
013	0502020591	PROTECCION COVER	04
014	0503011444	SPRING WASHER	16
015	0503010358	5/16" X 5/8" BOLT	16
016	0503010002	1800 GREASE FITTING	04
017	0503010534	3/8 X 2-1/2 COTTERPIN	02
018	0503012808	1/2" X 1-1/2" BOLT	06
019	0503012536	1/2" SPRING WASHER	06
020	0503012546	FLAT WASHER	06
021	0503012532	1/2" INOX NUT	06
022	0503060181	WHEEL AND TIRE	04
023	0503060206	29.5"X0.6"- 10L WHEEL AND TIRE ASSY	04

CARDAN



Item	Code	Description	QT
00	0511043844	CARDAN	01
01	0501056398	UNIVERSAL JOINT	01
02	0501056399	UNIVERSAL JOINT	01
03	0502010562	3-20 TERMINAL	01
04	0502010558	4-20 TERMINAL WITH ROLES	01
05	0503012069	ADAPTER FOR BUSHING PROTECT	01
06	0541017359	SQUARE SLEEVE	01
07	0503010835	CARDAN CROSSPICE	01
08	0503010842	0.39" X 2.95" SPRING PIN	01
09	0503010301	0.3" X 1.8" SPRING PIN	01
10	0501050263	UNIVERSAL JOINT	01
11	0501050264	UNIVERSAL JOINT	01
12	0502010562	3-20 TERMINAL	01
13	0502010558	4-20 TERMINAL WITH ROLES	01
14	0503012070	ADAPTER FOR AXLE PROTECTION	01
15	0541017360	SQUARE SLEEVE	01
16	0503010361	SPRING PIN	01
17	0503010756	0.2" X 2.4" SPRING PIN	01
18	0501050262	UNIVERSAL JOINT	01
19	0501050264	UNIVERSAL JOINT	01
20	0503012277	PROTECTION ASSY	01
21	0503012278	PROTECTION FOR UNIV JOINT SLEEVE	01
22	0503012279	PROTECTION FOR UNIV JOINT AND AXLE	01
23	0503012023	CHAIN FOR UNIV JOINT PROTECTION	01
24	0502010563	1-40 STRIATED 1.3/8" TERMINAL	01
25	0521010638	0.5" X 3.3" QUIC HITCH COUPL SHAFT	01
26	0503030518	0.5"X1.0"X 0.1" COMPRESSION SPRING	01
27	0503010838	0.1" X 0.8" SPRING PIN	01

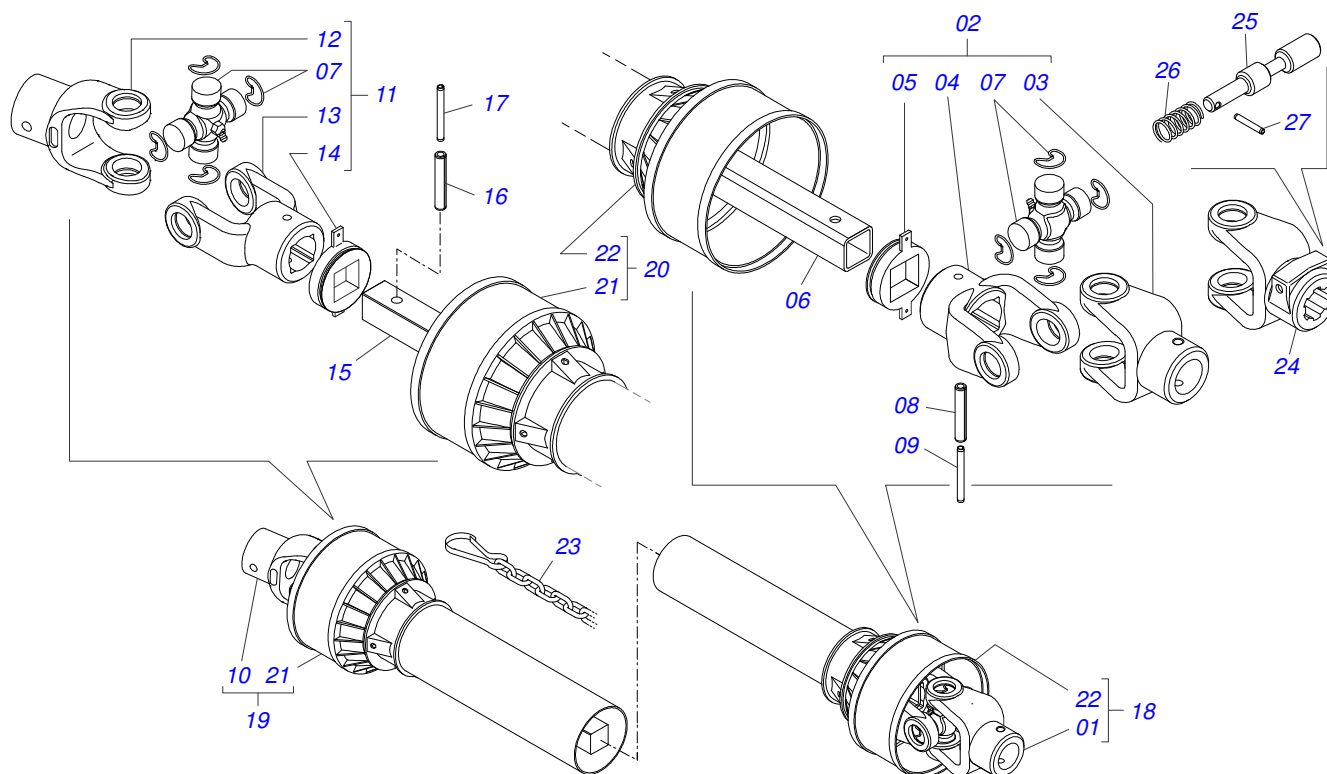


Item	Code	Description	QT
000	0503062211	SPEED MULTIPLIER	01
001	0503016785	USED HOUSING	02
002	0503016786	COVER	02
003	0503016787	ROD STOP	02
004	0503016788	SPRING RING	06
005	0503016789	BALL BEARING	04
006	0503016790	Z23 CONICAL GEAR	02
007	0503016791	ROD STOP	02
008	0503016792	KEYWAY	02
009	0503016793	CENTRAL AXLE	01
010	0503016794	EXTENSION TUBE	02
011	0503016795	3/8" PLUG	09
012	0503016796	DEFLECTOR	02
013	0503016797	RETAINER	02
014	0503016798	OUTPUT AXLE	02
015	0503016799	KEY	02
016	0503016800	CONIC ROLLER BEARING	04
017	0503016820	CONICAL GEAR	02
018	0503016801	COVER	02
019	0503016802	SPRING RING	08
020	0503016803	ORING	02
021	0503016804	M8 X 25 X 1,25	20
022	0503016805	HUB	01
023	0503016806	SPRING RING	01
024	0503016807	UPPER COVER	01
025	0503016808	CONICAL GEAR	01
026	0503016809	ORING	02
027	0503016810	SPRING RING	03
028	0503016811	BALL BEARING	01
029	0503016812	RETAINER	02
030	0503016813	BLOCK	01
031	0503016814	DRIVEN AXLE	01
032	0503016815	6207 BEARING	02

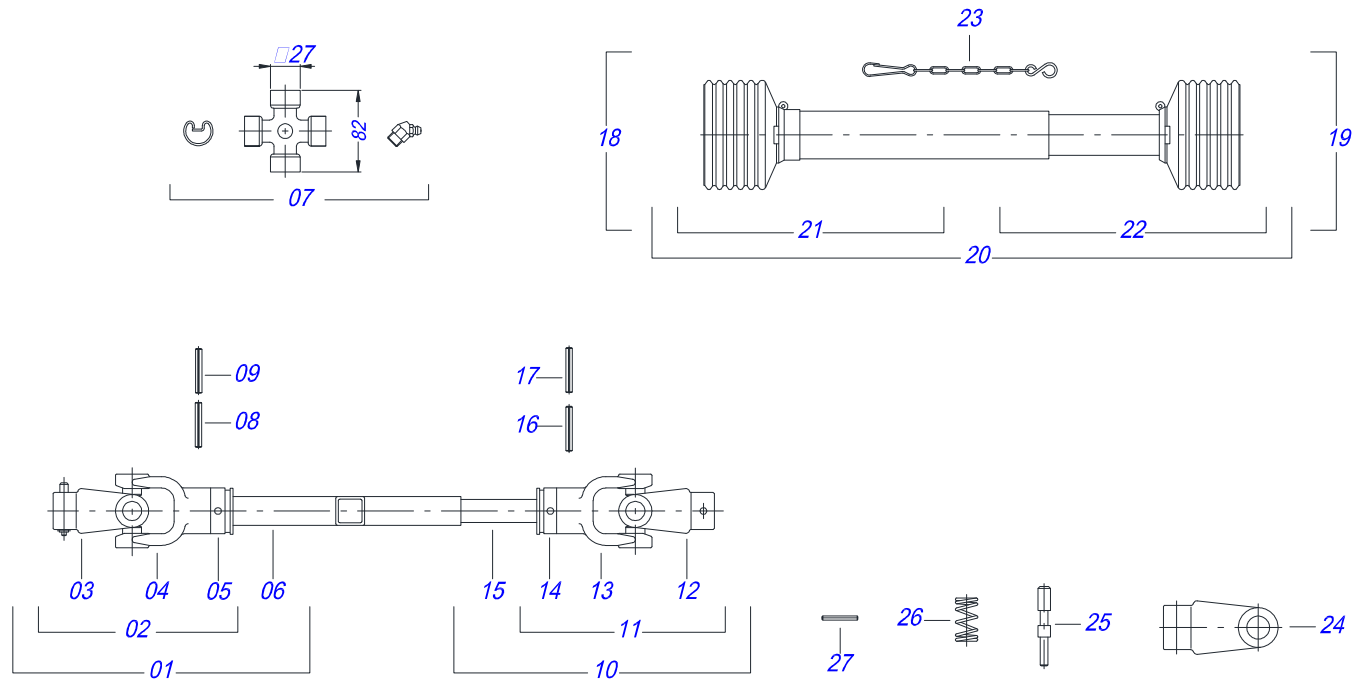


Item	Code	Description	QT
033	0503016816	CONICAL GEAR	01
034	0503016817	IDENTIFICATION PLATE	01
035	0503016818	LOCK PLATE	20
036	0503016819	CONE	01

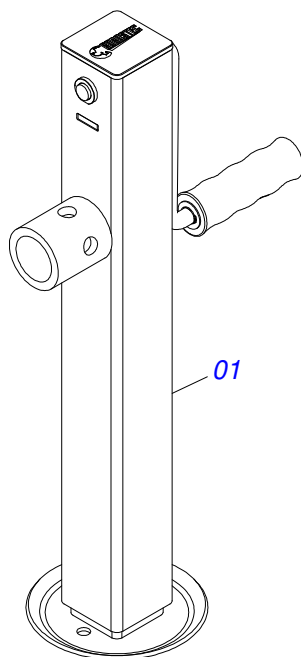
DRIVE SHAFT



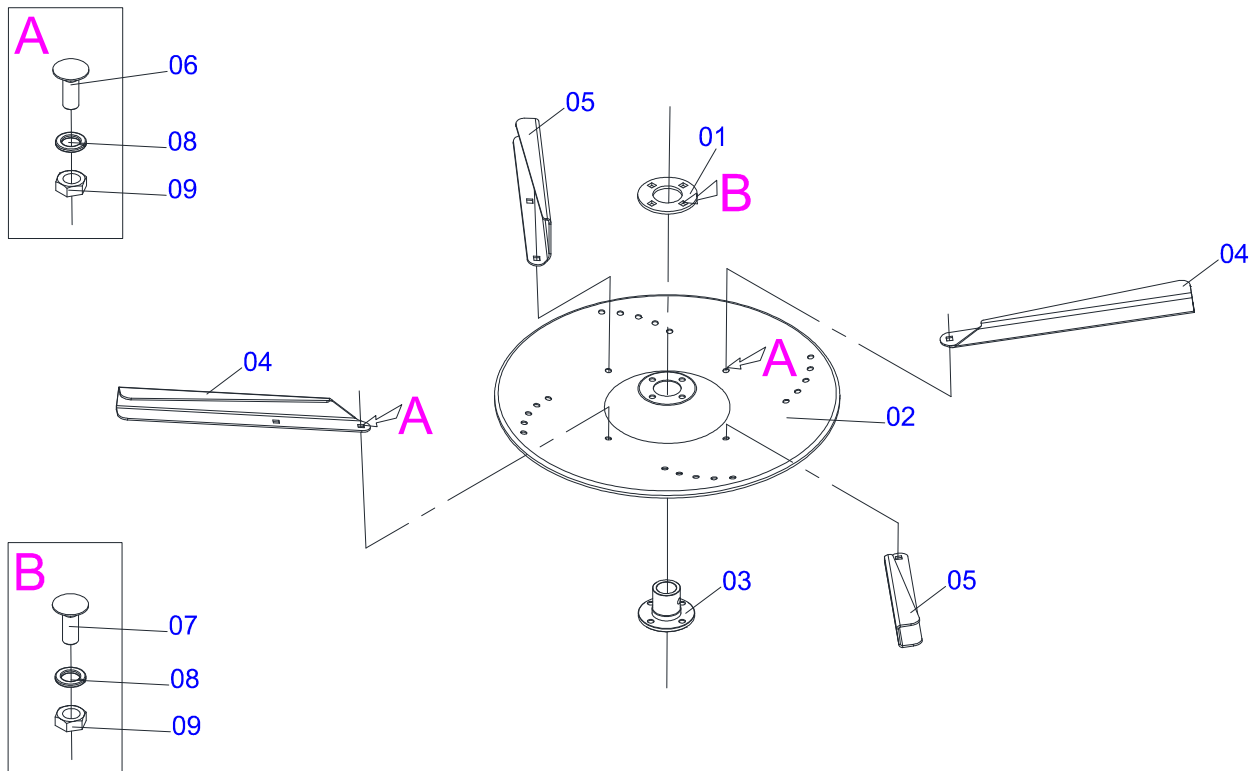
Item	Code	Description	QT
01	0501052176	SLEEVE UNIVERSAL JOINT	01
02	0501050265	UNIVERSAL JOINT	01
03	0501050333	1-40 TERMINAL WITH HITCH	01
04	0502010565	2-40 TERMINAL W/ SH 1.5"/1.5"	01
05	0503012069	ADAPTER FOR BUSHING PROTECT	01
06	0521013800	16" X 1.4" SQUARE SLEEVE	01
07	0503010836	CARDAN CROSSPIECE	02
08	0503011069	0.4" X 2.8" SPRING PIN	01
09	0503010510	0.2" X 2.6" SPRING PIN	01
10	0501052177	AXLE UNIVERSAL JOINT	01
11	0501052178	UNIVERSAL JOINT	01
12	0502011611	9-40 TERMINAL	01
13	0502010566	3-40 TERMINAL W/ SH 1.2"/1.2"	01
14	0503012070	ADAPTER FOR AXLE PROTECTION	01
15	0521013801	1.2" X 15.7" SQUARE SHAFT	01
16	0503010361	SPRING PIN	01
17	0503010756	0.2" X 2.4" SPRING PIN	01
18	0501052179	PROT/SLEEVE UNIVERSAL JOINT	01
19	0501052180	PROT/AXLE UNIVERSAL JOINT	01
20	0503012277	PROTECTION ASSY	01
21	0503012279	PROTECTION FOR UNIV JOINT AND AXLE	01
22	0503012278	PROTECTION FOR UNIV JOINT SLEEVE	01
23	0503012023	CHAIN FOR UNIV JOINT PROTECTION	02
24	0502010563	1-40 STRIATED 1.3/8" TERMINAL	01
25	0521010638	0.5" X 3.3" QUIC HITCH COUPL SHAFT	01
26	0503030518	0.5"X1.0"X 0.1" COMPRESSION SPRING	01
27	0503010838	0.1" X 0.8" SPRING PIN	01



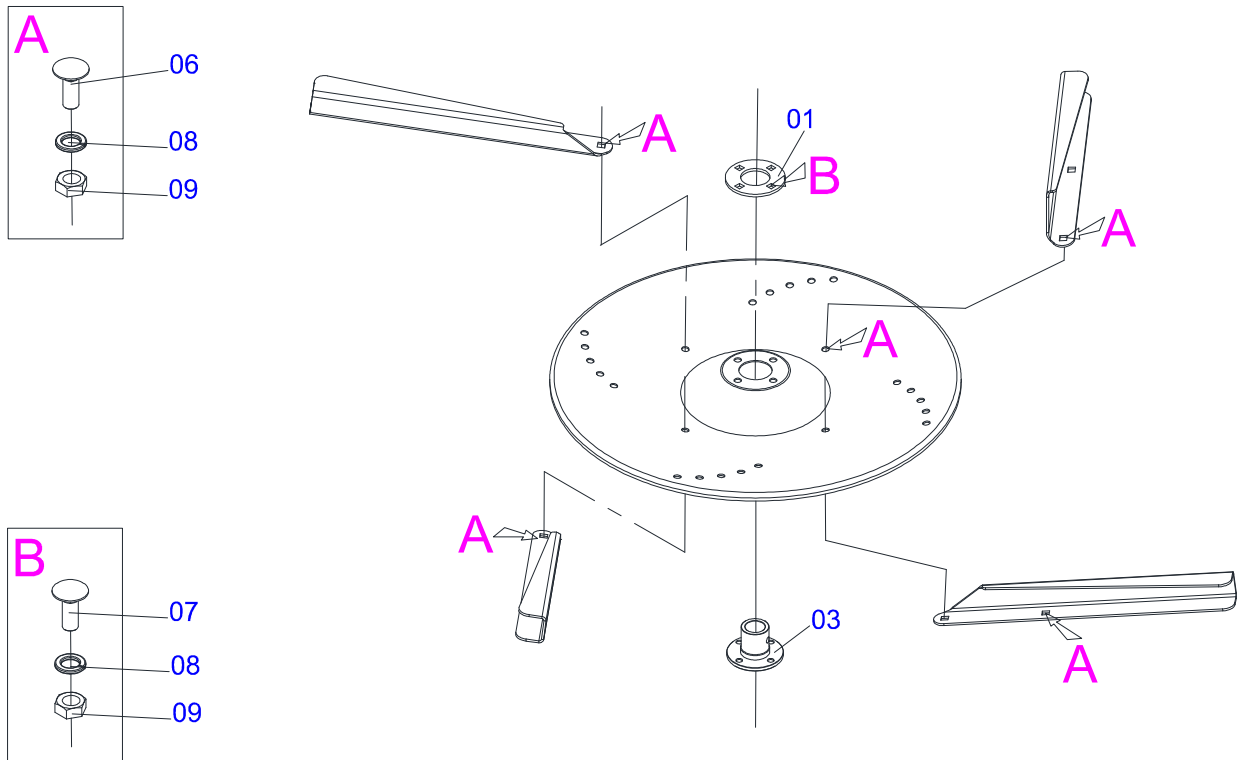
Item	Code	Description	QT
01	0501051729	UNIVERSAL JOINT WITH SLEEVE/PROT	01
02	0501051727	UNIVERSAL JOINT WITH AXLE/PROT	01
03	0502010558	4-20 TERMINAL WITH ROLES	01
04	0502011426	2-20 TERMINAL	01
05	0503012069	ADAPTER FOR BUSHING PROTECT	01
06	0501017426	SLEEVE	01
07	0503010835	CARDAN CROSSPICE	01
08	0503010839	03" X 0.6" SPRING PIN	01
09	0503010301	0.3" X 1.8" SPRING PIN	01
10	0501051718	UNIVERSAL JOINT	01
11	0501051720	UNIVERSAL JOINT	01
12	0502011427	3-20 TERMINAL	01
13	0502010558	4-20 TERMINAL WITH ROLES	01
14	0503012070	ADAPTER FOR AXLE PROTECTION	01
15	0511010237	0.9" X 18" SQUARE SHAFT	01
16	0503010361	SPRING PIN	01
17	0503010756	0.2" X 2.4" SPRING PIN	01
18	0501051728	JOINT	01
19	0501051725	JOINT	01
20	0503012090	PROTECTION FOR UNIV JOINT AND SLEEV	01
21	0503012091	PROTECTION FOR UNIV JOINT AND AXLE	01
22	0503012279	PROTECTION FOR UNIV JOINT AND AXLE	01
23	0503012023	CHAIN FOR UNIV JOINT PROTECTION	01
24	0502010563	1-40 STRIATED 1.3/8" TERMINAL	01
25	0521010638	0.5" X 3.3" QUIC HITCH COUPL SHAFT	01
26	0503030518	0.5"X1.0"X 0.1" COMPRESSION SPRING	01
27	0503010838	0.1" X 0.8" SPRING PIN	01



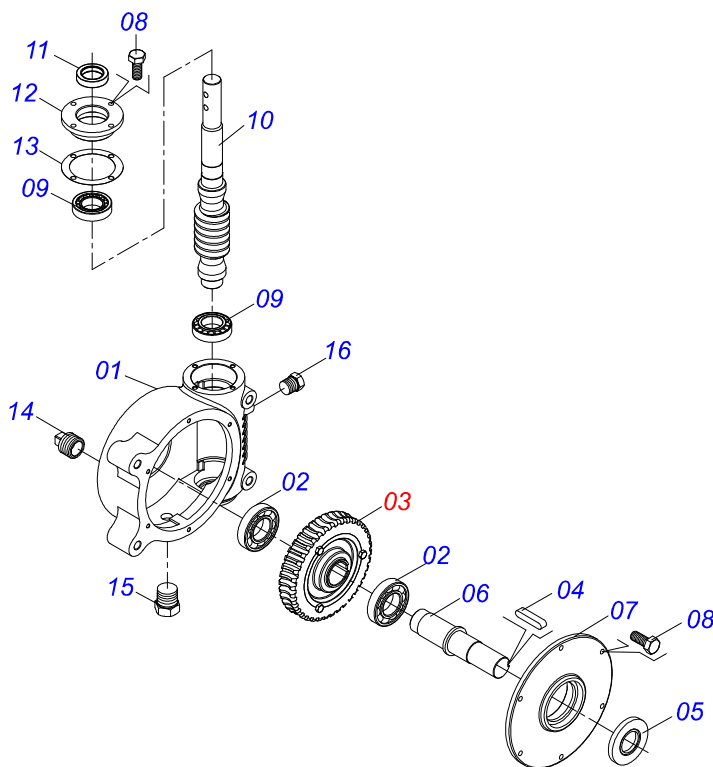
Item	Code	Description	QT
01	0503062157	HEADER JACK	01



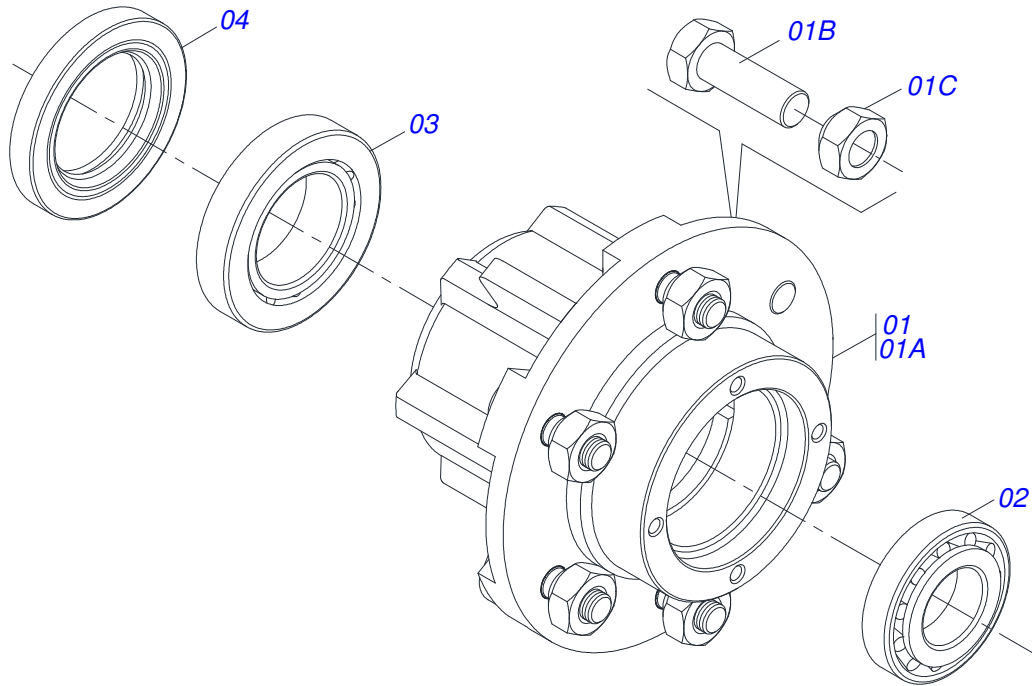
Item	Code	Description	QT
001	0571014230	HUB DISC	01
002	0541016994	BODY DISC DISTRIBUTOR	01
003	0571013670	DISTRIBUTOR DISC FLANGE	01
004	0541016998	RH LARGER FLIP	02
005	0541016996	RH SMALLER FLIP	02
006	0503013755	3/8" UNC X 3/4" CS BOLT	08
007	0503012540	3/8" X 1" BOLT	04
008	0503012535	3/8" SPRING WASHER	12
009	0503010026	3/8" NUT	12



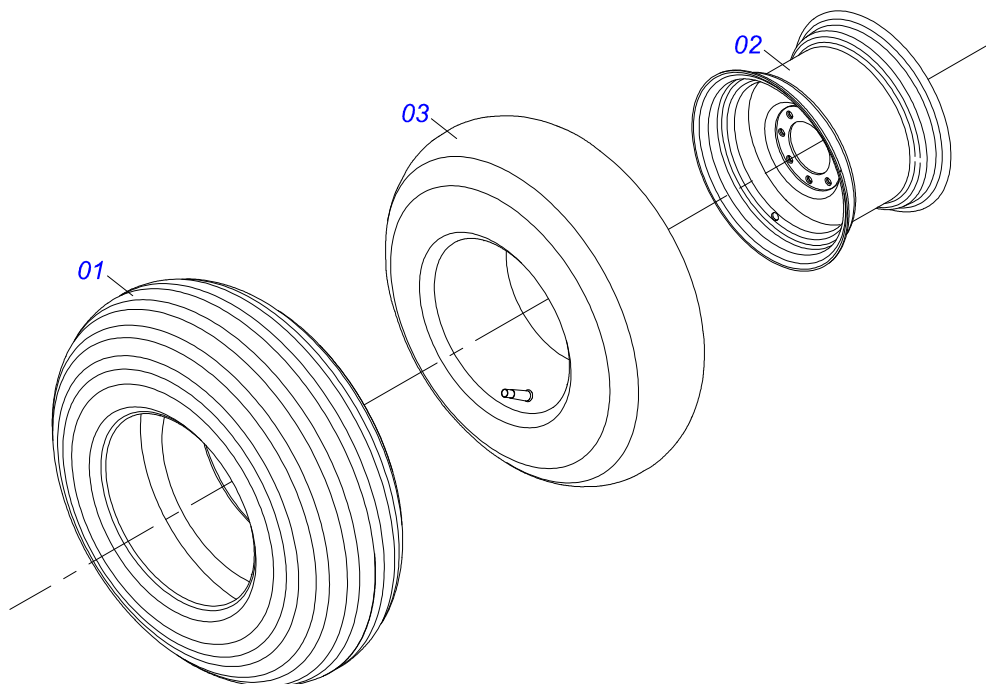
Item	Code	Description	QT
001	0571014230	HUB DISC	01
002	0541017383	DISTRIBUTOR BODY DISC	01
003	0571013670	DISTRIBUTOR DISC FLANGE	01
004	0541016997	FLIP LARGE	02
005	0541016995	SMALLER BLADE	02
006	0503013755	3/8" UNC X 3/4" CS BOLT	08
007	0503012540	3/8" X 1" BOLT	04
008	0503012535	3/8" SPRING WASHER	12
009	0503010026	3/8" NUT	12



Item	Code	Description	QT
01	0502011456	REDUCTION BOX	01
02	0503011095	6208 BALL BEARING	02
03	0501051774	38Z CONICAL	01
04	0503011304	1/2" X 2.4" KEYWAY SQUARE	01
05	0503010818	02675-BRG SEAL	01
06	0521010996	AXLE	01
07	0502020556	LARGER COVER	01
08	0503010240	5/16" X 3/4" BOLT	10
09	0503010016	BEARING LM	02
10	0521010997	SCREW THEAD	01
11	0503011171	00912-BRG SEAL	01
12	0502011457	SMALLER COVER	01
13	0503030981	102 X 75,5 X 0,10 JOINT	01
14	0521011023	PLUG	01
15	0503031604	1/2" BSP PLUG	01
16	0503010856	OIL PLUG	01



Item	Code	Description	QT
01	0501110728	WHEEL HUB	01
01A	0502011121	CARRYING WHEEL HUB	01
01B	0501010127	9/16" X 1-7/8" LUG BOLT	06
01C	0503010035	9/16" CONIC NUT	06
02	0503010037	30207 ROLLER BEARING	01
03	0503010006	32210 ROLLER BEARING	01
04	0503012928	SEAL	01



Item	Code	Description	QT
001	0503010858	CANVAS TIRE	01
002	0503011468	WEEL	01
003	0503010860	CAMARA AR 11L 15	01



MARCHESAN IMPLEMENTOS E MÁQUINAS AGRÍCOLAS TATU S.A.

AV. Marchesan, 1979 - Post office box, 131 - CEP 15994-900 - Matão - SP - Brazil

Phone +55 16.3382-8282

(FAX Parts) + 55 16.3382. 8297 - (Export) + 55 16.3382.1003

e.mail: tatu@marchesan.com.br www.marchesan.com.br

Technical Publications: Elaboration

LUIZ CANDIDO

Technical Publications: Revision

JOSÉ DOMINGOS GASPARI

Contact Catálogo:

E-mail = jgaspari@marchesan.com.br

**ORIGINAL PARTS
TATU**

