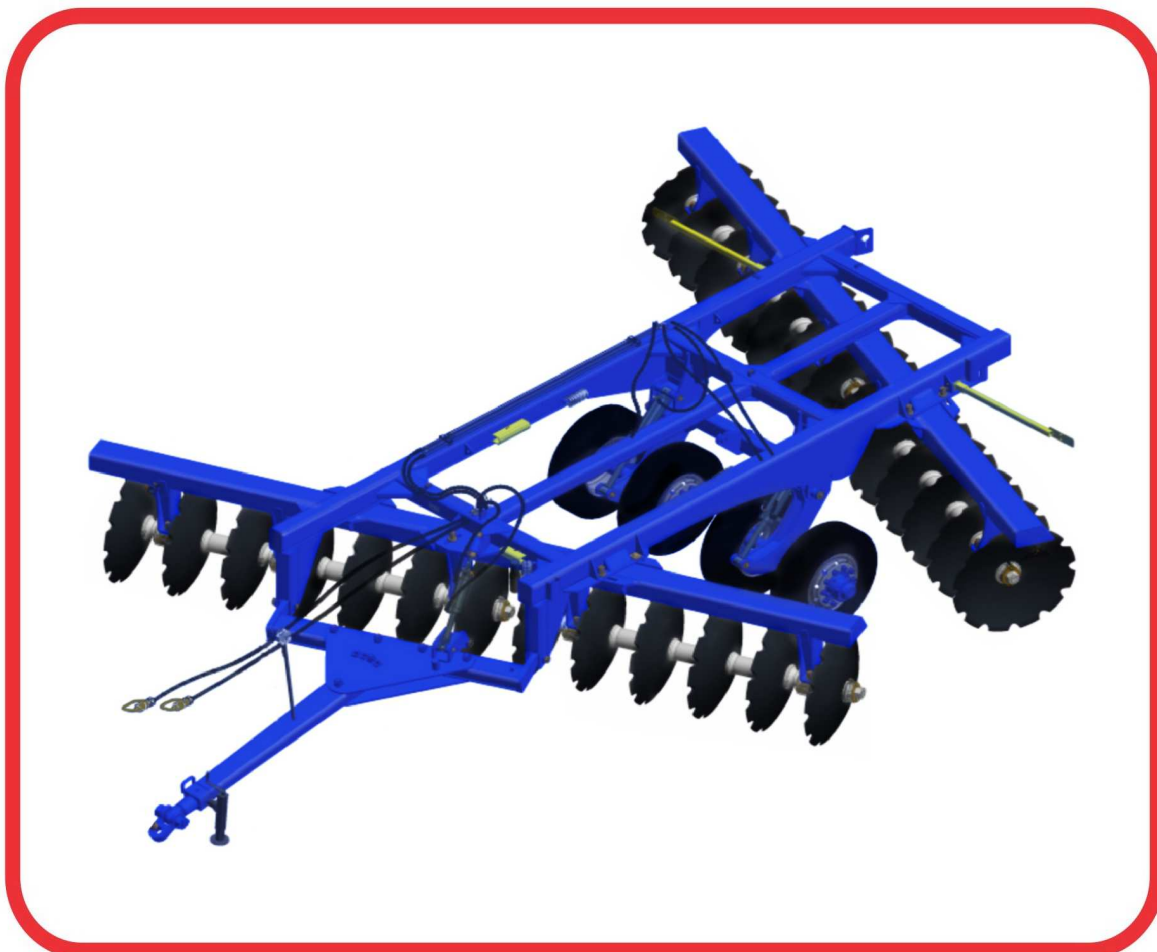


PARTS CATALOG

OFFSET DISK HARROW

GASPCR EHD 10020 - HYDR. - AXIS
2.1/2" - 12/14/16/18/20/22/24/26D

Code: 0501091174



Series: S-0705

Rev.: 00

Date Rev.: JUNHO/2016

ORIGINAL PARTS
TATU



PRODUCTS

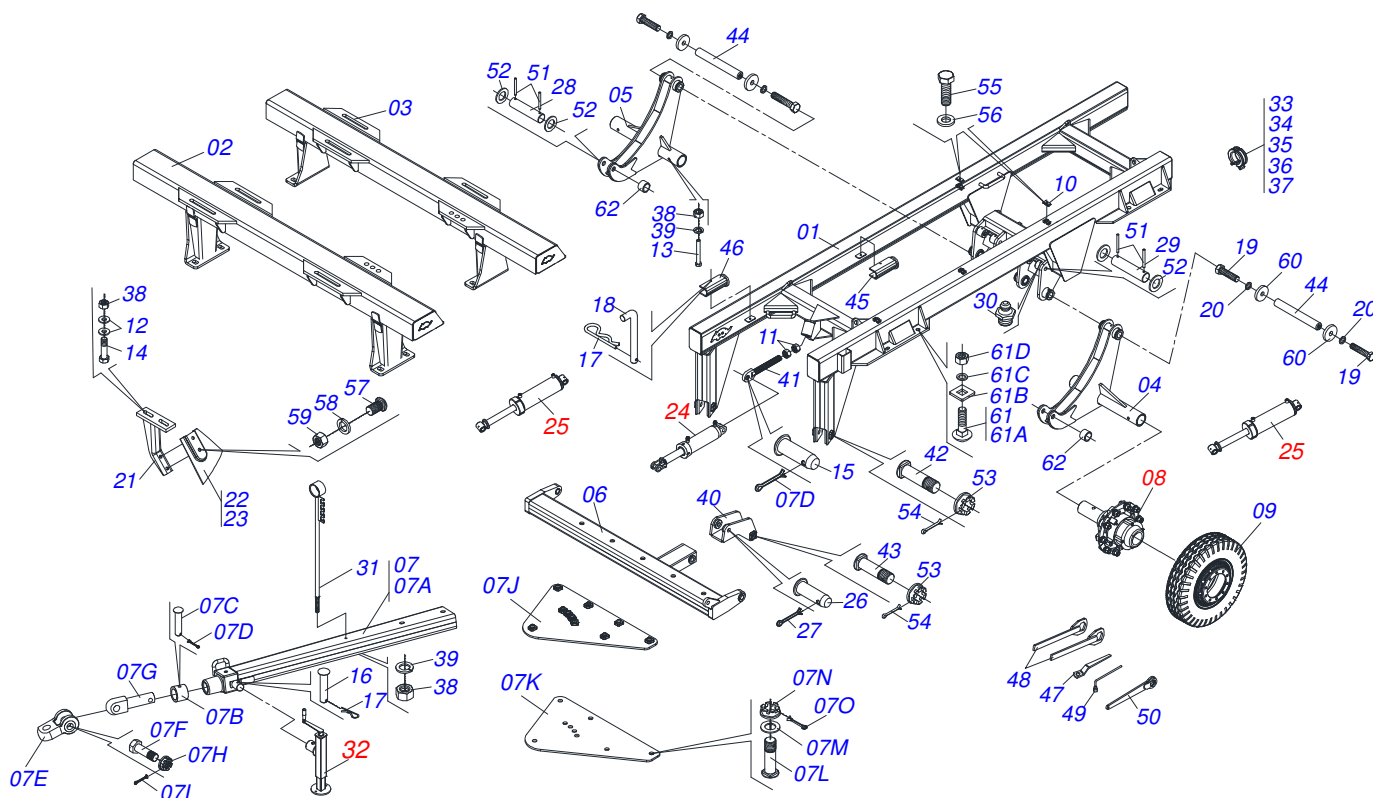
Code	Description
0102090224	GASPCR EHD 10020 20X40X12,00 DM S-0705
0102090082	GASPCR EHD 10020 12X32X12 DM S-0705
0102090170	GASPCR EHD 10020 12X36X12 DM S-0705
0102090168	GASPCR EHD 10020 12X36X12DMS/PNS705
0102090192	GASPCR EHD 10020 12X38X12 DM S-0705
0102090191	GASPCR EHD 10020 14X36X12 DM S-0705
0102090208	GASPCR EHD 10020 14X42X12 DM S-0705
0102090099	GASPCR EHD 10020 16X32X12 DM S-0705
0102090172	GASPCR EHD 10020 16X36X12 DM S-0705
0102090517	GASPCR EHD 10020 16X36X12DMS/PNS705
0102090194	GASPCR EHD 10020 16X38X12 DM S-0705
0102090181	GASPCR EHD 10020 16X40X12 DM S-0705
0102090210	GASPCR EHD 10020 16X42X12 DM S-0705
0102090190	GASPCR EHD 10020 18X36X12 DM S-0705
0102090195	GASPCR EHD 10020 18X38X12 DM S-0705
0102090209	GASPCR EHD 10020 18X42X12 DM S-0705
0102090189	GASPCR EHD 10020 20X36X12 DM S-0705
0102090197	GASPCR EHD 10020 22X38X12 DM S-0705
0102090200	GASPCR EHD 10020 22X40X12 DM S-0705
0102090158	GASPCR EHD 10020 22X42X12 DM S-0705
0102090211	GASPCR EHD 10020 24X40X12 DM S-0705
0102090207	GASPCR EHD 10020 26X38X12 DM S-0705
0102090171	GASPCR EHD10020 12X40X12DM C/PNS705

ATTENTION: **IMPORTANT**

MARCHESAN S/A RESERVES THE RIGHT AT ANY TIME TO MAKE IMPROVEMENTS IN THE DESIGN, MATERIAL OR SPECIFICATIONS OF MACHINERY, EQUIPMENT OR PARTS WITHOUT THEREBY BECOMING LIABLE TO MAKE SIMILAR CHANGES IN MACHINERY, EQUIPMENT OR PARTS PREVIOUSLY SOLD.

INDEX

0909094045	12/14D - FRAME ASSY	1
0909091435	16D - FRAME ASSY	2
0909094726	18/20/22D - FRAME ASSY	3
0909094728	24/26D - FRAME ASSY	4
0511058419	HYDRAULIC CYLINDER	5
0511048619	HYDRAULIC CYLINDER	6
0511048088	DRAWBAR JACK	7
0909094047	12/14 - DISC GANG SECTION	8
0909091436	16D - DISC GANG SECTION	9
0909094308	18/20/22/24/26 DISC GANG SECTION	10
0511042200	495MM X 2-1/2" RD. OIL BATH BEARING	11
0909094609	12/14D - HYDRAULIC CIRCUIT	12
0909094465	16/18/20/22/26D - HYDRAULIC CIRCUIT	13
0909093381	28/48D - HYDRAULIC CIRCUIT	14



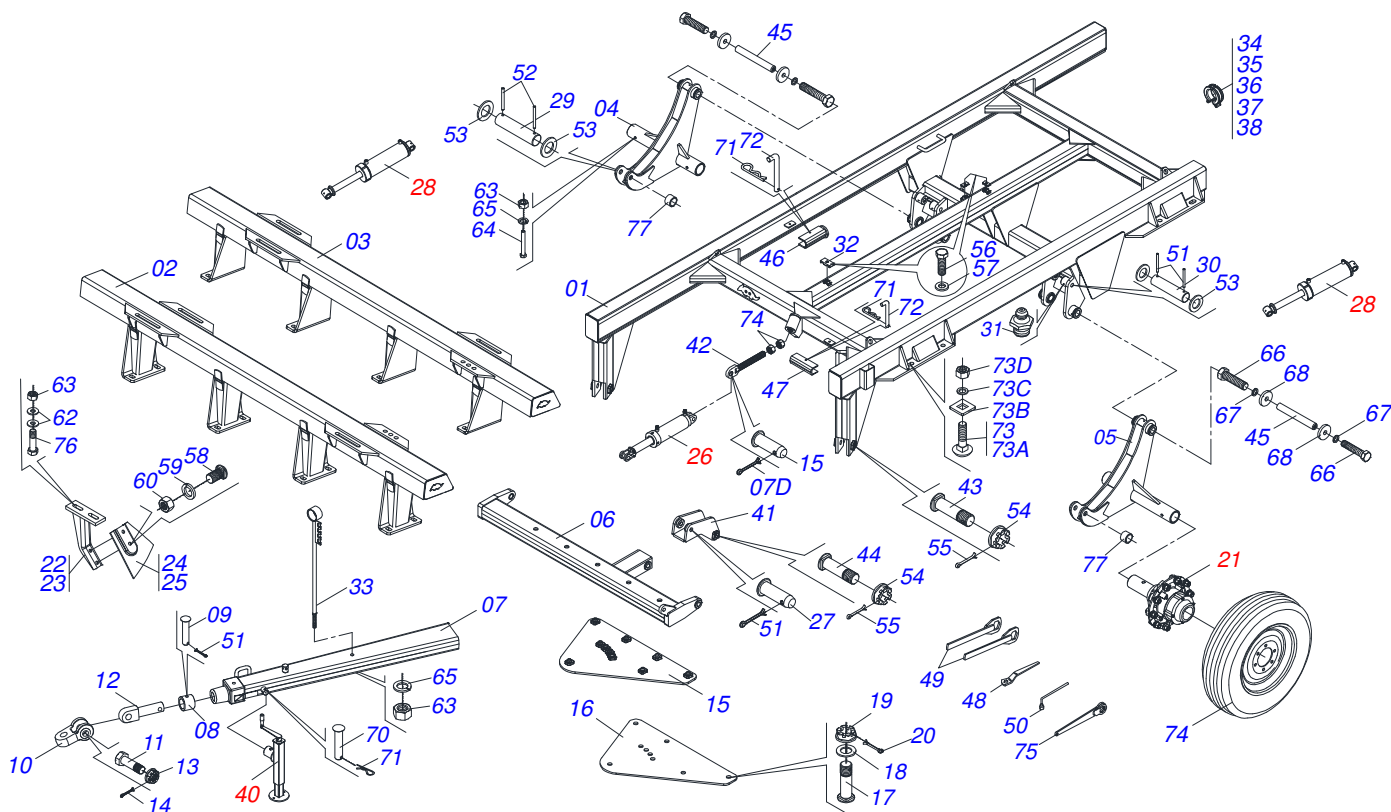
Item	Code	Description	12 14
01	0511067822	FRAME GASPCR-HD 9017/EHD 10020	01 01
02	0511067823	FRONT FRAME	01 00
02.	0521062884	FRONT FRAME	00 01
03	0511067824	REAR FRAME	01 00
03.	0521062885	REAR FRAME	00 01
04	0511066611	LEFT CARRYING-WHEELS SUPPORT	01 01
05	0511066741	RIGHT CARRYING-WHEELS SUPPORT	01 01
06	0511067827	1100 OFFSET BAR	01 01
07	0511045200	DRAWBAR ASSY	01 01
07A	0511064669	DRAWBAR ASSY	01 01
07B	0502040263	ANEL TRAVA ENGATE	01 01
07C	0561017306	COUPLING SHAFT	01 01
07D	0503010523	1/4" X 2" COTTERPIN	01 01
07E	0502040293	YH-90 CLEVIS	01 01
07F	0511067199	2" BOLT	01 01
07G	0502040264	DRAWBOLT	01 01
07H	0502040558	2" CASTLE NUT	01 01
07I	0503010074	3/8 X 0,15" COTTERPIN	01 01
07J	0511067825	UPPER PLATE	01 01
07K	0511067826	LOWER PLATE	01 01
07L	0521011880	37,5 X 242 COUPLING SHAFT	05 05
07M	0501012916	FLAT WASHER 38,50 X 66 X 4,75 ZN	05 05
07N	0501011301	1.1/2 UNC 6FPP 2.5/16 NUT	05 05
07O	0503010010	1/4" X 2.1/2" COTTERPIN	05 05
08	0501057120	HUB ASSY	04 04
09	0503061582	WHEEL AND TIRE ASSY	04 04
10	1902010477	UPPER CLAMP BODY	04 04
11	0501010333	1.3/4" NUT	02 02
12	0541010763	FLAT WASHER	48 48
13	0503011198	C3/4" X 6" BOLT	04 04
14	0501010500	3/4"X3"BOLT	24 24
15	0521012538	1.2" X 3.5" COUPLING SHAFT	01 01
16	0561014251	COUPLING SHAFT	01 01



12/14D - FRAME ASSY

0909094045

Item	Code	Description	12 14
17	0503030285	HAIR PIN	04 04
18	0541016844	FIXER LOCK	03 03
19	0503011250	1" X 2" BOLT	04 04
20	0503010012	1" SPRING WASHER	04 04
21	0511064771	FRONT SCRAPER SUPPORT	08 08
22	0521013678	FRONT CLEANER	06 06
23	0521013679	REAR CLEANER	06 06
24	0511058419	HYDRAULIC CYLINDER	01 01
25	0511048619	HYDRAULIC CYLINDER	02 02
26	0531019171	1.25" X 7" COUPLING SHAFT	01 01
27	0503010523	1/4" X 2" COTTERPIN	02 02
28	0531018101	1.2" X 6.3" PIVOT SHAFT	02 02
29	0531018105	1.2" X 11.8" PIVOT SHAFT	02 02
30	0503010002	1800 GREASE FITTING	15 15
31	0521062849	HOSE HOLDER ASSY	01 01
32	0511048088	DRAWBAR JACK	01 01
33	0501047895	ROD STOP	09 09
34	0501047885	ROD STOP	03 03
35	0501047886	ROD STOP	03 03
36	0501047887	ROD STOP	03 03
37	0501047885	ROD STOP	06 06
38	0503010014	3/4" NUT	08 08
39	0503010023	SPRING WASHER	28 28
40	0511064656	DRAWBAR PIVOT	01 01
41	0511064433	REGULATOR SPINDLE 1-3/4	01 01
42	0541014119	COUPLING SHAFT	02 02
43	0521012053	1.5" X 8.6" AXLE	01 01
44	0531018062	COUPLING SHAFT	02 02
45	0561016693	TRANSPORT LOCK	02 02
46	0551010332	TRANSPORT LOCK	01 01
47	0501011432	1-1/2" AND 1-5/8 GANG BOLT WRENCH	01 01
48	0501061044	2-1/8" AND 2-1/2" CABLE FLAT WRENCH	02 02
49	0503016137	1-1/4" WRENCH CABLE CYLINDRICAL	01 01
50	0521062858	1.1/4" WRENCH NUT	01 01
51	0503011877	0.3" X 2.4" SPRING PIN	08 08
52	0501017779	FLAT WASHER	04 04
53	0501011301	1.1/2 UNC 6FPP 2.5/16 NUT	03 03
54	0503010010	1/4" X 2.1/2" COTTERPIN	03 03
55	0503011135	7/16" X 1-1/2" BOLT	04 04
56	0503010180	7/16" SPRING WASHER	04 04
57	0503012195	5/8" NUT	24 24
58	0503010027	SPRING WASHER	32 32
59	0503010013	5/8" NUT	32 32
60	0521011565	FLAT WASHER	04 04
61	0501041301	1-1/4" X 5-3/4" ASSY BOLT	08 08
61A	0501015348	1-1/4" X 3-3/4" BOLT	08 08
61B	0501810954	BOLT	08 08
61C	0531010713	FLAT WASHER	08 08
61D	0501010087	1.1/4" NUT	08 08
62	0511019920	LUVA 32,7 X 38,8 X 25,40	04 04



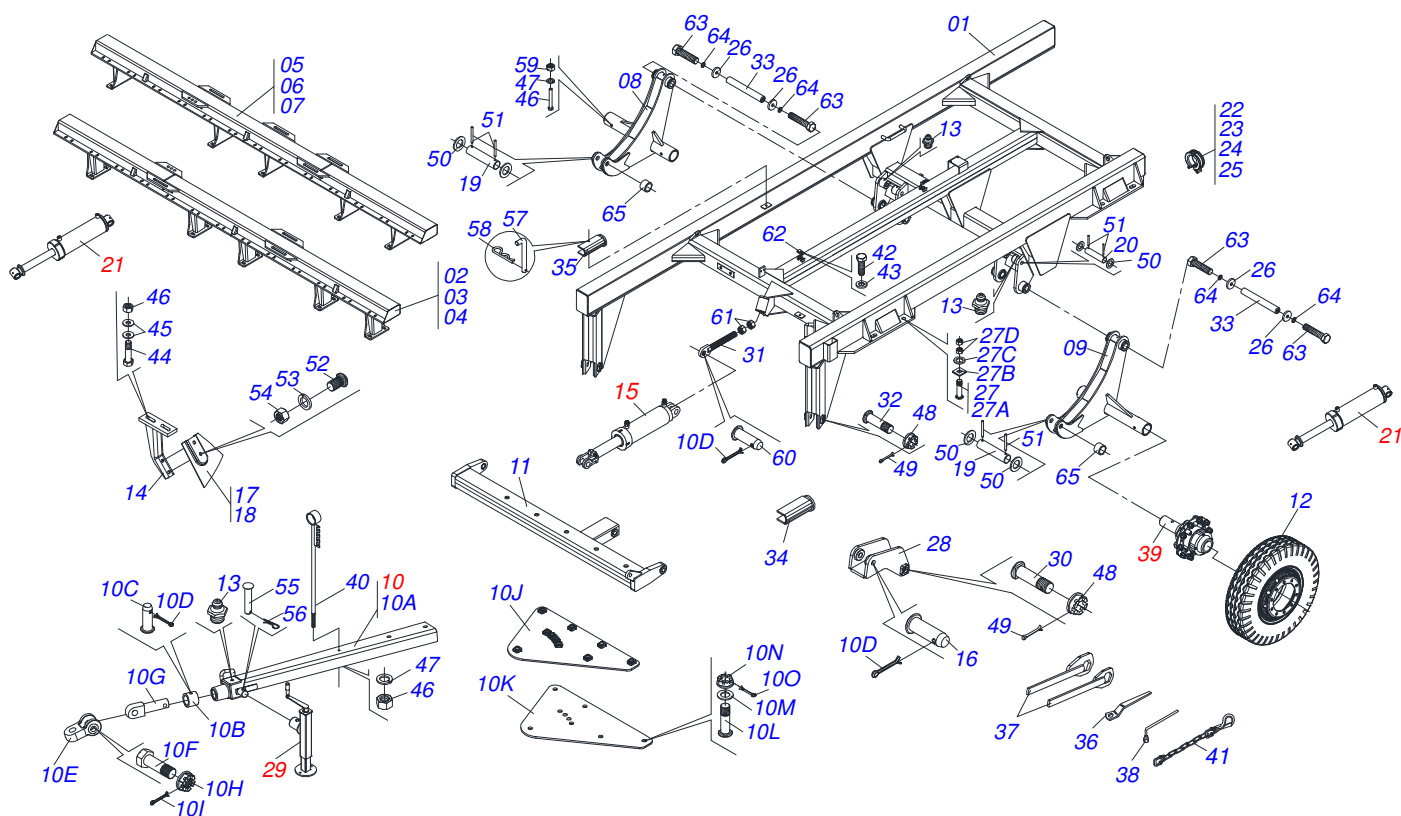
Item	Code	Description	16
01	0511067123	FRAME GASPCR EHD 10020 S-0705	01
02	0511066942	FRONT FRAME	01
03	0511066943	REAR FRAME	01
04	0511066611	LEFT CARRYING-WHEELS SUPPORT	01
05	0511066741	RIGHT CARRYING-WHEELS SUPPORT	01
06	0511066580	2135 OFFSET BAR	01
07	0511064669	DRAWBAR ASSY	01
08	0502040263	ANEL TRAVA ENGATE	01
09	0561017306	COUPLING SHAFT	01
10	0502040293	YH-90 CLEVIS	01
11	0511067199	2" BOLT	01
12	0502040264	DRAWBOLT	01
13	0502040558	2" CASTLE NUT	01
14	0503010074	3/8 X 0,15" COTTERPIN	01
15	0511064659	UPPER PLATE	01
16	0511064658	LOWER PLATE	01
17	0521011880	37,5 X 242 COUPLING SHAFT	06
18	0501012916	FLAT WASHER 38,50 X 66 X 4,75 ZN	06
19	0501011301	1.1/2 UNC 6FPP 2.5/16 NUT	06
20	0503010010	1/4" X 2.1/2" COTTERPIN	06
21	0501057120	HUB ASSY	04
22	0511064771	FRONT SCRAPER SUPPORT	08
23	0511064772	REAR SCRAPER SUPPORT	08
24	0521013678	FRONT CLEANER	08
25	0521013679	REAR CLEANER	08
26	0511058419	HYDRAULIC CYLINDER	01
27	0531019171	1.25" X 7" COUPLING SHAFT	01
28	0511048619	HYDRAULIC CYLINDER	02
29	0531018101	1.2" X 6.3" PIVOT SHAFT	02
30	0531018105	1.2" X 11.8" PIVOT SHAFT	02
31	0503010002	1800 GREASE FITTING	10
32	0502012702	BODY SUPPORT CLAMP	02
33	0521062849	HOSE HOLDER ASSY	01



16D - FRAME ASSY

0909091435

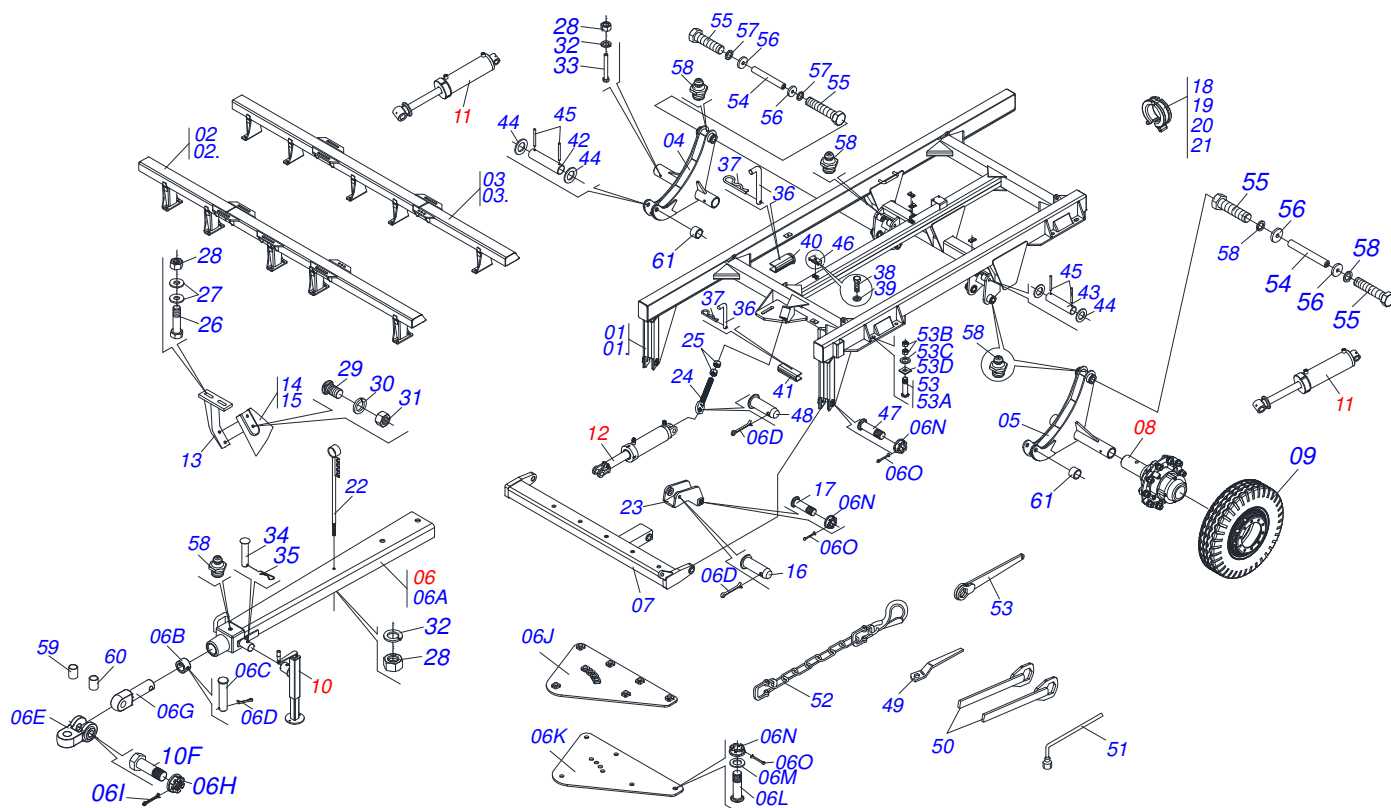
Item	Code	Description	16
34	0501047895	ROD STOP	03
35	0501047885	ROD STOP	03
36	0501047886	ROD STOP	03
37	0501047887	ROD STOP	03
38	0501047885	ROD STOP	03
40	0511048088	DRAWBAR JACK	01
41	0511064656	DRAWBAR PIVOT	01
42	0511064433	REGULATOR SPINDLE 1-3/4	01
43	0541014119	COUPLING SHAFT	02
44	0521012053	1.5" X 8.6" AXLE	01
45	0531018062	COUPLING SHAFT	02
46	0511066639	TRANSPORT LOCK	02
47	0551010332	TRANSPORT LOCK	01
48	0501011432	1-1/2" AND 1-5/8 GANG BOLT WRENCH	01
49	0501061044	2-1/8" AND 2-1/2" CABLE FLAT WRENCH	02
50	0503016137	1-1/4" WRENCH CABLE CYLINDRICAL	01
51	0503010523	1/4" X 2" COTTERPIN	02
52	0503011877	0.3" X 2.4" SPRING PIN	08
53	0501017779	FLAT WASHER	08
54	0501011301	1.1/2 UNC 6FPP 2.5/16 NUT	03
55	0503010010	1/4" X 2.1/2" COTTERPIN	03
56	0503012555	7/16" X 2" BOLT	04
57	0503010180	7/16" SPRING WASHER	04
58	0503012195	5/8" NUT	32
59	0503010027	SPRING WASHER	32
60	0503010013	5/8" NUT	32
61	0501010333	1.3/4" NUT	02
62	0541010763	FLAT WASHER	64
63	0503010014	3/4" NUT	37
64	0503011198	C3/4" X 6" BOLT	04
65	0503010023	SPRING WASHER	05
66	0503011250	1" X 2" BOLT	04
67	0503010012	1" SPRING WASHER	04
68	0521011565	FLAT WASHER	04
69	0521012538	1.2" X 3.5" COUPLING SHAFT	01
70	0561014251	COUPLING SHAFT	01
71	0503030285	HAIR PIN	04
72	0541016844	FIXER LOCK	03
73	0501041301	1-1/4"X 5-3/4" ASSY BOLT	08
73A	0501810954	BOLT	08
73B	0501010953	1-1/4" SQUARE WASHER	08
73C	0531010713	FLAT WASHER	08
73D	0501010087	1.1/4" NUT	08
74	0503061582	WHEEL AND TIRE ASSY	04
75	0521062858	1.1/4" WRENCH NUT	01
76	0501010500	3/4"X3"BOLT	32
77	0511019920	LUVA 32,7 X 38,8 X 25,40	04



Item	Code	Description	18	20	22
01	0511067123	FRAME GASPCR EHD 10020 S-0705	01	01	01
02	0521062875	FRONT FRAME	01	00	00
03	0521062873	FRONT FRAME	00	01	00
04	0521062863	FRONT FRAME	00	00	01
05	0521062876	REAR FRAME	01	00	00
06	0521062874	REAR FRAME	00	01	00
07	0521062865	REAR FRAME	00	00	01
08	0511066611	LEFT CARRYING-WHEELS SUPPORT	01	01	01
09	0511066741	RIGHT CARRYING-WHEELS SUPPORT	01	01	01
10	0511041592	DRAWBAR ASSY	01	01	01
10A	0511064669	DRAWBAR ASSY	01	01	01
10B	0502040263	ANEL TRAVA ENGATE	01	01	01
10C	0561017306	COUPLING SHAFT	01	01	01
10D	0503010523	1/4" X 2" COTTERPIN	03	03	03
10E	0502040293	YH-90 CLEVIS	01	01	01
10F	0511067199	2" BOLT	01	01	01
10G	0502040264	DRAWBOLT	01	01	01
10H	0502040558	2" CASTLE NUT	01	01	01
10I	0503010074	3/8 X 0,15" COTTERPIN	01	01	01
10J	0511064659	UPPER PLATE	01	01	01
10K	0511064658	LOWER PLATE	01	01	01
10L	0521011880	37,5 X 242 COUPLING SHAFT	06	06	06
10M	0501012916	FLAT WASHER 38,50 X 66 X 4,75 ZN	06	06	06
10N	0501011301	1.1/2 UNC 6FPP 2.5/16 NUT	06	06	06
10O	0503010010	1/4" X 2.1/2" COTTERPIN	06	06	06
11	0511066580	2135 OFFSET BAR	01	01	01
12	0503061582	WHEEL AND TIRE ASSY	04	04	04
13	0503010002	1800 GREASE FITTING	11	11	11
14	0511064771	FRONT SCRAPER SUPPORT	18	20	22
15	0511058419	HYDRAULIC CYLINDER	01	01	01
16	0531019171	1.25" X 7" COUPLING SHAFT	01	01	01
17	0521013678	FRONT CLEANER	09	10	11
18	0521013679	REAR CLEANER	09	10	11



Item	Code	Description	18	20	22
19	0531018101	1.2" X 6.3" PIVOT SHAFT	02	02	02
20	0531018105	1.2" X 11.8" PIVOT SHAFT	02	02	02
21	0511048619	HYDRAULIC CYLINDER	02	02	02
22	0501047895	ROD STOP	09	09	09
23	0501047885	ROD STOP	09	09	09
24	0501047886	ROD STOP	03	03	03
25	0501047887	ROD STOP	03	03	03
26	0521011565	FLAT WASHER	04	04	04
27	0501041301	1-1/4" X 5-3/4" ASSY BOLT	08	08	08
27A	0501010954	1-1/4" X 5-3/4" BOLT	08	08	08
27B	0501010953	1-1/4" SQUARE WASHER	08	08	08
27C	0531810713	FLAT WASHER	08	08	08
27D	0501010087	1.1/4" NUT	16	16	16
28	0511064656	DRAWBAR PIVOT	01	01	01
29	0511048088	DRAWBAR JACK	01	01	01
30	0521012053	1.5" X 8.6" AXLE	01	01	01
31	0511064433	REGULATOR SPINDLE 1-3/4	01	01	01
32	0541014119	COUPLING SHAFT	02	02	02
33	0531018062	COUPLING SHAFT	02	02	02
34	0561016693	TRANSPORT LOCK	02	02	02
35	0551010332	TRANSPORT LOCK	01	01	01
36	0501011432	1-1/2" AND 1-5/8" GANG BOLT WRENCH	01	01	01
37	0501061044	2-1/8" AND 2-1/2" CABLE FLAT WRENCH	02	02	02
38	0503016137	1-1/4" WRENCH CABLE CYLINDRICAL	01	01	01
39	0501057120	HUB ASSY	04	04	04
40	0521062849	HOSE HOLDER ASSY	01	01	01
41	0503013150	1300 X 3/8 CHAIN	01	01	01
42	0503012555	7/16" X 2" BOLT	04	04	04
43	0503010180	7/16" SPRING WASHER	04	04	04
44	0501010500	3/4" X 3" BOLT	36	40	44
45	0541010763	FLAT WASHER	72	80	88
46	0503010014	3/4" NUT	41	45	49
47	0503010023	SPRING WASHER	05	05	05
48	0501011301	1.1/2" UNC 6FPP 2.5/16 NUT	03	03	03
49	0503010010	1/4" X 2.1/2" COTTERPIN	03	03	03
50	0501017779	FLAT WASHER	08	08	08
51	0503011877	0.3" X 2.4" SPRING PIN	08	08	08
52	0503012195	5/8" NUT	36	40	44
53	0503010027	SPRING WASHER	36	40	44
54	0503010013	5/8" NUT	36	40	44
55	0561014251	COUPLING SHAFT	01	01	01
56	0503030012	HAIR PIN	01	01	01
57	0541016844	FIXER LOCK	03	03	03
58	0503030285	HAIR PIN	03	03	03
59	0503011198	C3/4" X 6" BOLT	04	04	04
60	0521012538	1.2" X 3.5" COUPLING SHAFT	01	01	01
61	0501010333	1.3/4" NUT	02	02	02
62	0502012702	BODY SUPPORT CLAMP	04	04	04
63	0503011250	1" X 2" BOLT	04	04	04
64	0503010012	1" SPRING WASHER	04	04	04
65	0511019920	LUVA 32,7 X 38,8 X 25,40	04	04	04



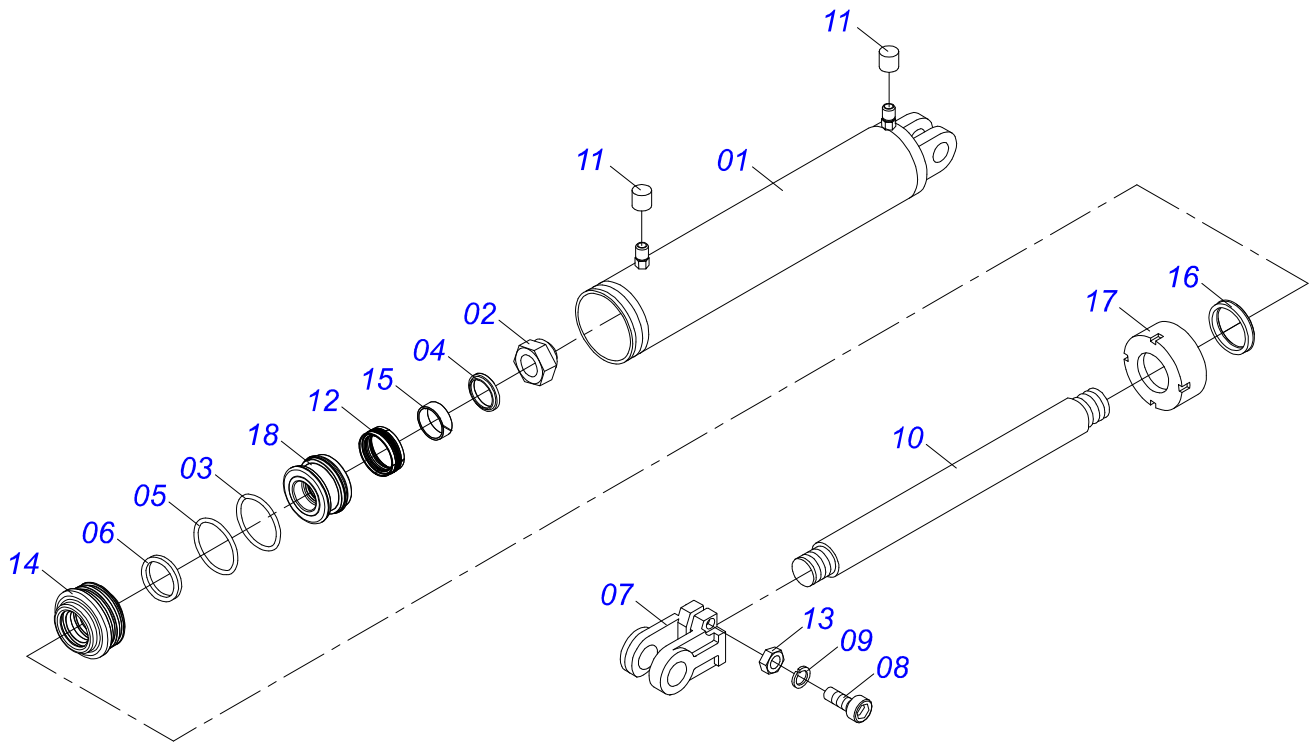
Item	Code	Description	24 26
01	0511067123	FRAME GASPCR EHD 10020 S-0705	01
01.	0521062952	FRAME GASPCR-EHD 10020 26D	01
02	0521063932	FRONT FRAME	01
02.	0521062950	FRONT FRAME	01
03	0521063942	REAR FRAME	01
03.	0521062951	REAR FRAME	01
04	0511066611	LEFT CARRYING-WHEELS SUPPORT	01
05	0511066741	RIGHT CARRYING-WHEELS SUPPORT	01
06	0521041823	DRAWBAR ASSY	01 01
06.	0511041592	DRAWBAR ASSY	01 01
06A	0511064669	DRAWBAR ASSY	01 01
06B	0502040263	ANEL TRAVA ENGATE	01 01
06C	0561017306	COUPLING SHAFT	01 01
06D	0503010523	1/4" X 2" COTTERPIN	03 03
06E	0502040293	YH-90 CLEVIS	01 01
06F	0511067199	2" BOLT	01 01
06G	0502040264	DRAWBOLT	01 01
06H	0502040558	2" CASTLE NUT	01 01
06I	0503010074	3/8 X 0,15" COTTERPIN	01 01
06J	0511064659	UPPER PLATE	01 01
06K	0511064658	LOWER PLATE	01 01
06L	0521011880	37,5 X 242 COUPLING SHAFT	06 06
06M	0501012916	FLAT WASHER 38,50 X 66 X 4,75 ZN	06 06
06N	0501011301	1.1/2 UNC 6FPP 2.5/16 NUT	09 09
06O	0503010010	1/4" X 2.1/2" COTTERPIN	09 09
07	0511066580	2135 OFFSET BAR	01 01
08	0501057120	HUB ASSY	04 04
09	0503061582	WHEEL AND TIRE ASSY	04 04
10	0511048088	DRAWBAR JACK	01 01
11	0511048619	HYDRAULIC CYLINDER	02 02
12	0511058419	HYDRAULIC CYLINDER	01 01
13	0511064771	FRONT SCRAPER SUPPORT	24 26
14	0521013678	FRONT CLEANER	12 13



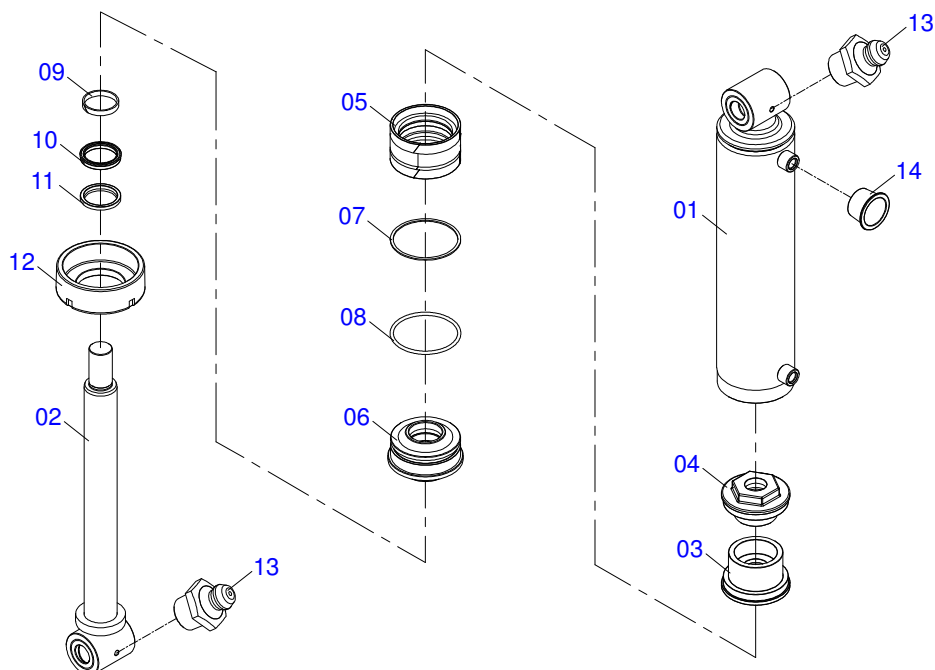
24/26D - FRAME ASSY

0909094728

Item	Code	Description	24 26
15	0521013679	REAR CLEANER	12 13
16	0531019171	1.25" X 7" COUPLING SHAFT	01 01
17	0521012053	1.5" X 8.6" AXLE	01 01
18	0501047895	ROD STOP	09 09
19	0501047885	ROD STOP	09 09
20	0501047886	ROD STOP	03 03
21	0501047887	ROD STOP	03 03
22	0521062849	HOSE HOLDER ASSY	01 01
23	0511064656	DRAWBAR PIVOT	01 01
24	0511064433	REGULATOR SPINDLE 1-3/4	01 01
25	0501010333	1.3/4" NUT	02 02
26	0501010500	3/4"X3"BOLT	48 52
27	0541010763	FLAT WASHER	96 104
28	0503010014	3/4" NUT	49 57
29	0503012195	5/8" NUT	44 52
30	0503010027	SPRING WASHER	64 68
31	0503010013	5/8" NUT	60 68
32	0503010023	SPRING WASHER	05 05
33	0503011198	C3/4" X 6" BOLT	04 04
34	0561014251	COUPLING SHAFT	01 01
35	0503030012	HAIR PIN	01 01
36	0541016844	FIXER LOCK	03 03
37	0503030285	HAIR PIN	03 03
38	0503012555	7/16" X 2" BOLT	04 04
39	0503010180	7/16" SPRING WASHER	04 04
40	0551010332	TRANSPORT LOCK	01 01
41	0561016693	TRANSPORT LOCK	02 02
42	0531018101	1.2" X 6.3" PIVOT SHAFT	02 02
43	0531018105	1.2" X 11.8" PIVOT SHAFT	02 02
44	0501017779	FLAT WASHER	08 08
45	0503011877	0.3" X 2.4" SPRING PIN	08 08
46	0502012702	BODY SUPPORT CLAMP	04 04
47	0541014119	COUPLING SHAFT	02 02
48	0521012538	1.2" X 3.5" COUPLING SHAFT	01 01
49	0501011432	1-1/2" AND 1-5/8 GANG BOLT WRENCH	01 01
50	0501061044	2-1/8" AND 2-1/2" CABLE FLAT WRENCH	02 02
51	0503016137	1-1/4" WRENCH CABLE CYLINDRICAL	01 01
52	0503013150	1300 X 3/8 CHAIN	01 01
53	0501041301	1-1/4"X 5-3/4" ASSY BOLT	16 20
53A	0501010954	1-1/4" X 5-3/4" BOLT	09 09
53B	0501010087	1.1/4" NUT	18 18
53C	0531810713	FLAT WASHER	09 09
53D	0501010953	1-1/4" SQUARE WASHER	09 09
54	0531018062	COUPLING SHAFT	02 02
55	0503011250	1" X 2" BOLT	04 04
56	0521011565	FLAT WASHER	04 04
57	0503010012	1" SPRING WASHER	04 04
58	0503010002	1800 GREASE FITTING	15 15
59	0571013174	SLEEVE	01 01
60	0571013175	SLEEVE	01 01
61	0511019920	LUVA 32,7 X 38,8 X 25,40	04 04

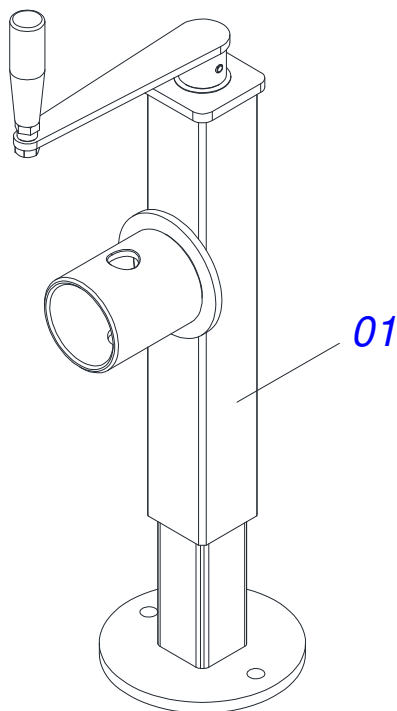


Item	Code	Description	QT
001	0511061336	101,6 X 398 CYLINDER CASE	01
002	0503010817	1-1/4" SELF-ADJUSTING NUT	01
003	0503010345	2-218 N 3006-9B O-RING	01
004	0503015636	SCRAPER SEAL	01
005	0503010338	2-342 N 3006-9B O-RING	02
006	0503011061	8-342 BACK-UP RING	02
007	0502040747	FORK	01
008	0503011094	3/8" X 2" BOLT C C S I 12.9	01
009	0503011443	SPRING WASHER	01
010	0521010422	HYDRAULIC CYLINDER TURNBUCKLE	01
011	0503030384	CON N-001 PLUG	02
012	0503015633	SELEMASTER SEALING	01
013	0503010026	3/8" NUT	01
014	0581010678	50,80 X 101 RING SUPPORT	01
015	0503018025	RING GUIDE	01
016	0503018026	1870-2000-375 B GASKET	01
017	0502012822	101,60 MOBILE COVER	01
018	0502012842	50,80 X 101,60 PISTON	01

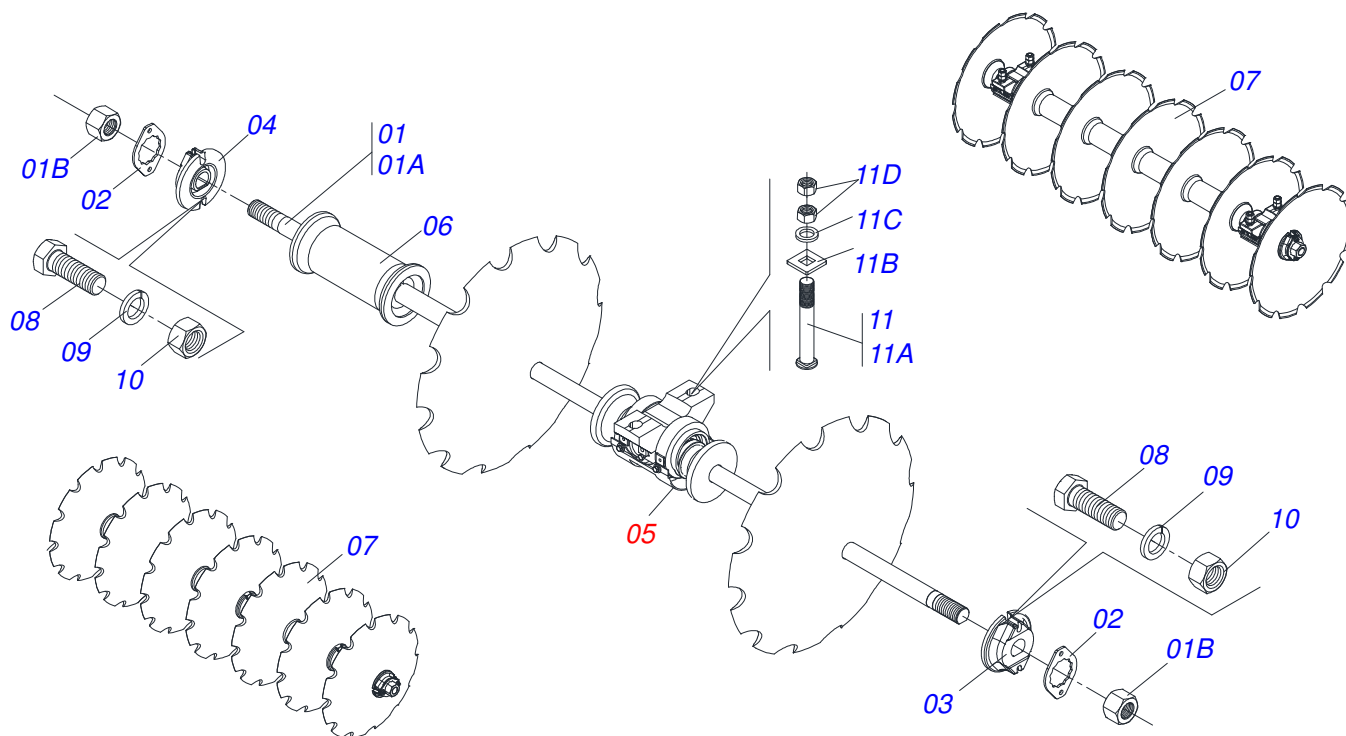


Item	Code	Description	QT
01	0521061685	114,30 X 500 CYLINDER CASE	01
02	0521061684	56,98 X 590,50 TURNBUCKLE	01
03	0561016578	PISTON BODY	01
04	0502012643	PISTÓN BODY	01
05	0503015640	SEALING SELEMASTER	01
06	0502012644	RING SUPPORT	01
07	0503011893	8-346 BACK-UP RING	01
08	0503011892	2-346 N 3006-9B O'RING	01
09	0503015641	RING SLYDRING	01
10	0503015642	U-CUP SEALING	01
11	0503015715	SCRAPER SEALING	01
12	0502011222	0.56" MOBILE COVER	01
13	0503010002	1800 GREASE FITTING	02
14	0503030384	CON N-001 PLUG	02

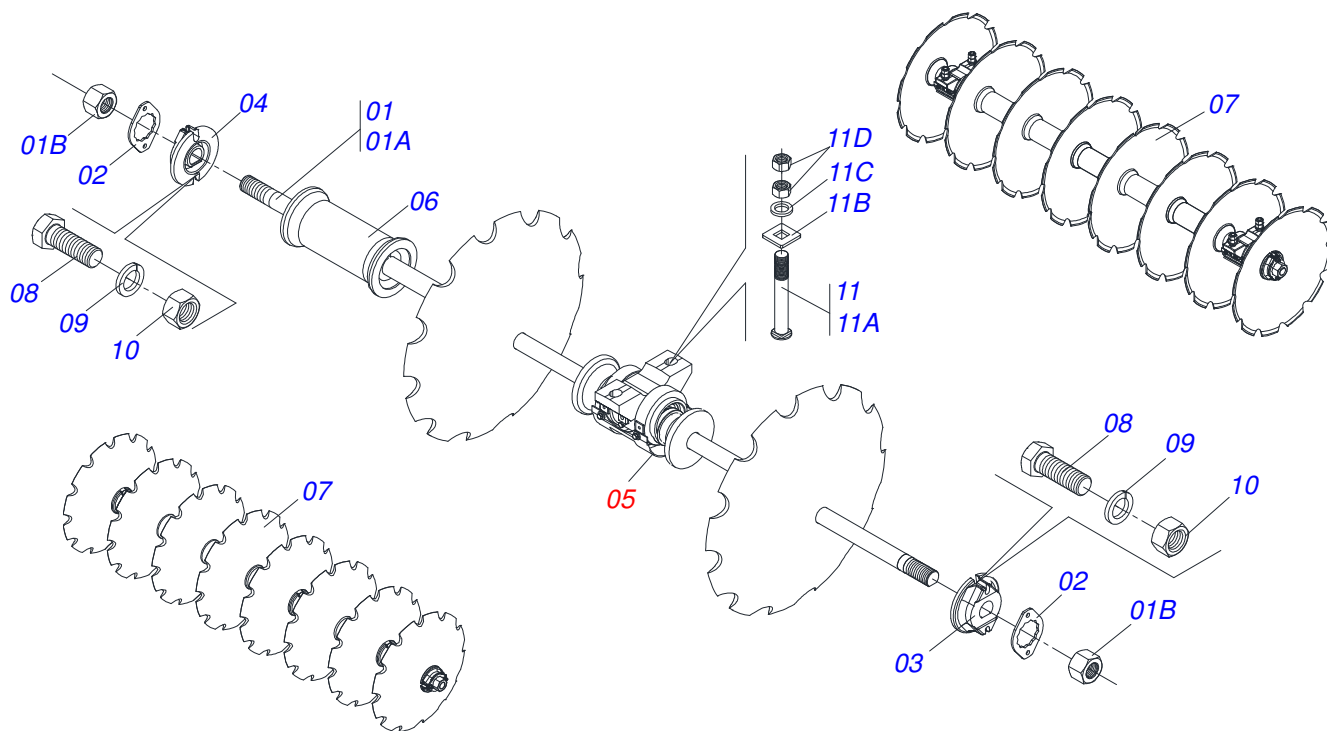
DRAWBAR JACK



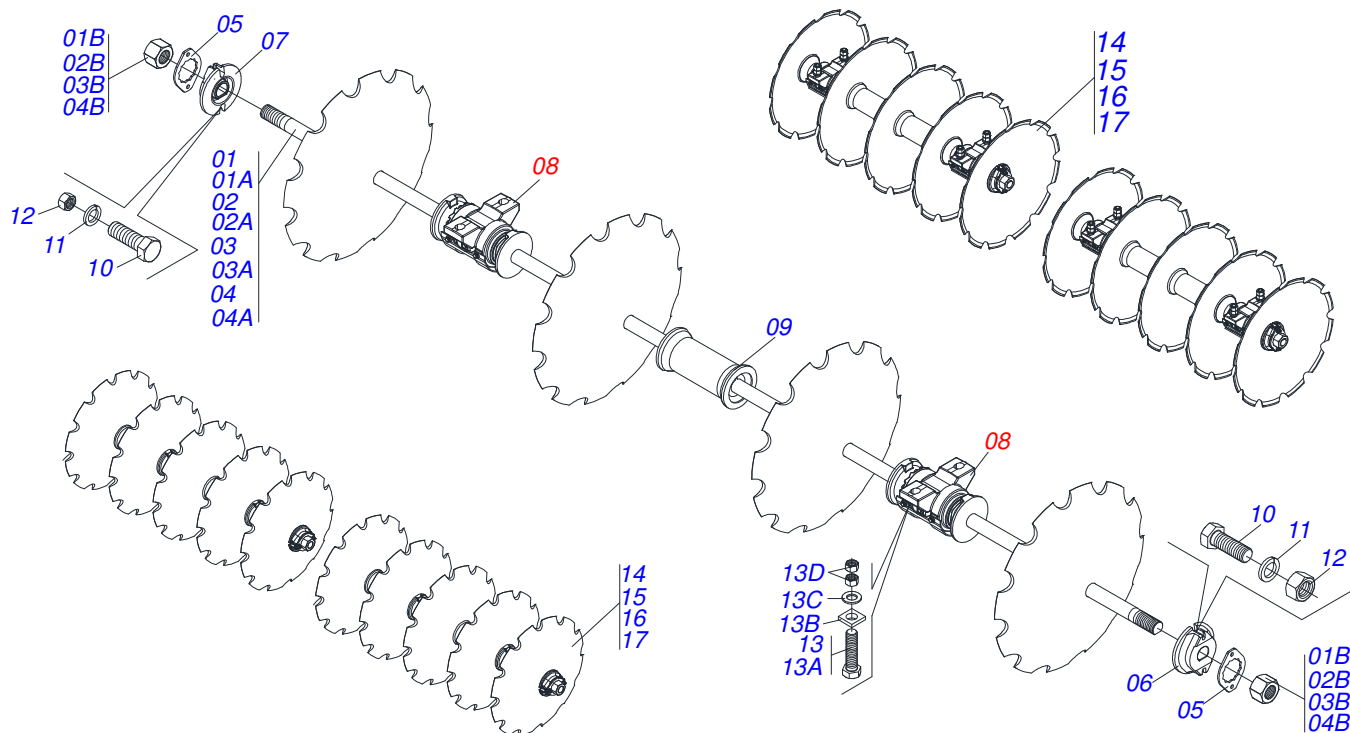
Item	Code	Description	QT
01	0503062227	DRAWBAR JACK	01



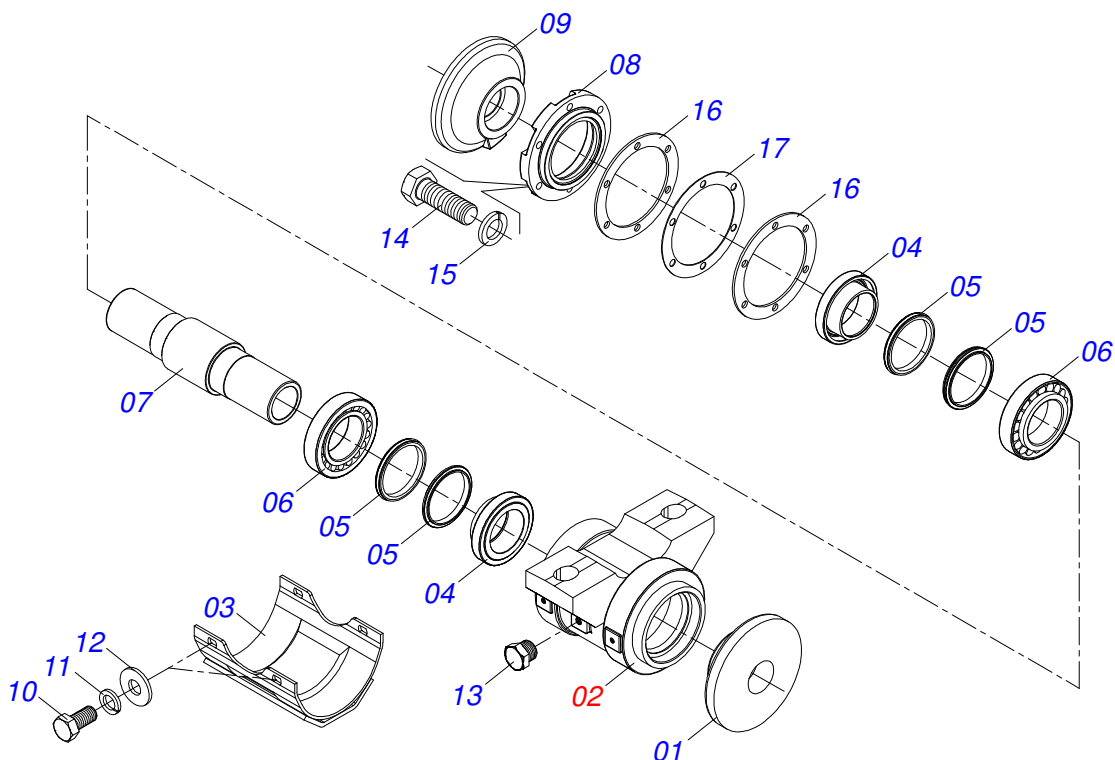
Item	Code	Description	12 14
01	0511044953	2-1/2" X 2815 AXLE	02 00
01.	0521040419	AXLE WITH NUTS	00 02
01A	0551010438	2.1/2" X 2815 AXLE	02 00
01A.	0571010567	2-1/2" X 3320 AXLE	00 02
01B	0502040064	2.1/2"SNC X 70 99 NUT	02 02
02	0541010368	NUT LOCK	04 04
03	0502010593	2-1/2" EXTERNAL AXLE WASHER	02 02
04	0502010592	2-1/2" INNER AXLE WASHER	02 02
05	0511042200	495MM X 2-1/2" RD. OIL BATH BEARING	04 06
06	0502012414	SPACER	06 06
07	0602048051	36" X 12MM NOTCHED DISC BLADE	06 07
07.	0602052022	42" X 12MM NOTCHED DISK	00 07
07..	0602050002	39 X 12 NOTCHED DISC BLADE	06 07
07...	0602051017	NOTCHED DISK	07 00
08	0503010232	5/8" X 1.3/4" BOLT	08 08
09	0503010027	SPRING WASHER	32 32
10	0503010013	5/8" NUT	32 32
11	0521040349	1-1/4" X 5.3/4" BOLT	08 08
11A	0501041301	1-1/4"X 5-3/4" ASSY BOLT	08 08
11B	0501010953	1-1/4" SQUARE WASHER	08 08
11C	0531010713	FLAT WASHER	08 08
11D	0501010087	1.1/4" NUT	16 16



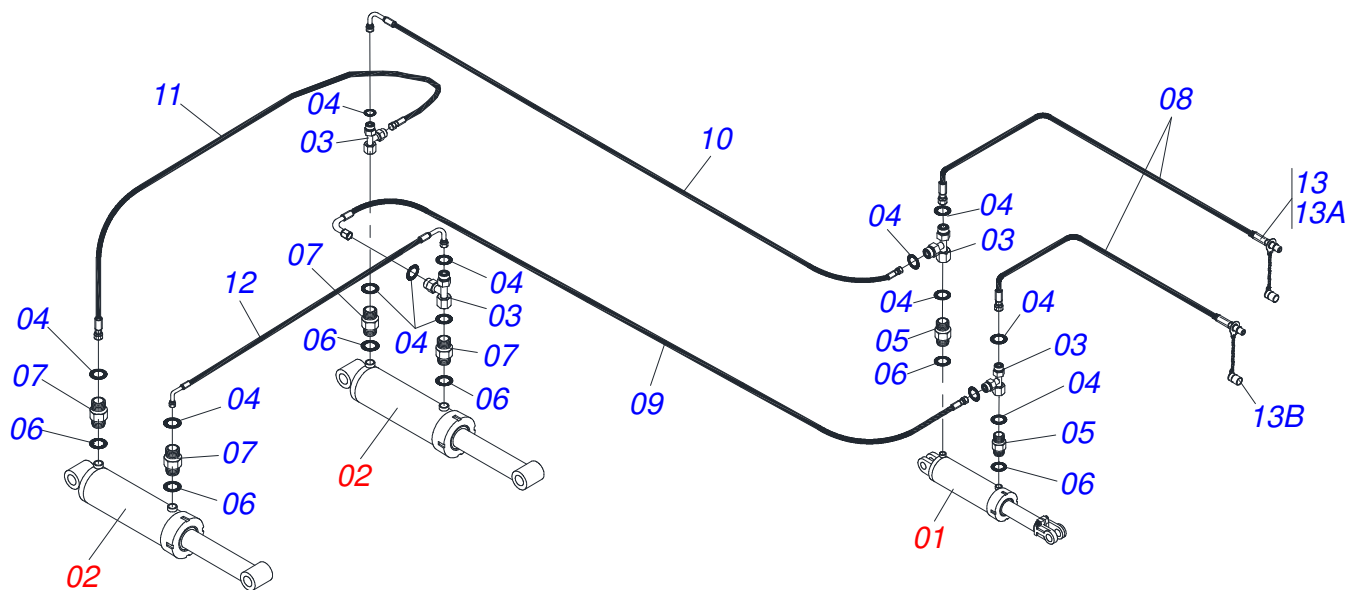
Item	Code	Description	QT
01	0511044953	2-1/2" X 2815 AXLE	02
01A	0551010438	2.1/2" X 2815 AXLE	02
01B	0502040064	2.1/2"SNC X 70 99 NUT	04
02	0541010368	NUT LOCK	04
03	0502010593	2-1/2" EXTERNAL AXLE WASHER	02
04	0502010592	2-1/2" INNER AXLE WASHER	02
05	0511042200	495MM X 2-1/2" RD. OIL BATH BEARING	08
06	0502012414	SPACER	04
07	0602048051	36" X 12MM NOTCHED DISC BLADE	16
07.	0602052022	42" X 12MM NOTCHED DISK	16
07..	0602050002	39 X 12 NOTCHED DISC BLADE	16
07...	0602051017	NOTCHED DISK	16
08	0503010232	5/8" X 1.3/4" BOLT	08
09	0503010027	SPRING WASHER	16
10	0503010013	5/8" NUT	16
11	0521040349	1-1/4" X 5.3/4" BOLT	16
11A	0501041301	1-1/4"X 5-3/4" ASSY BOLT	16
11B	0501010953	1-1/4" SQUARE WASHER	16
11C	0531010713	FLAT WASHER	16
11D	0501010087	1.1/4" NUT	32



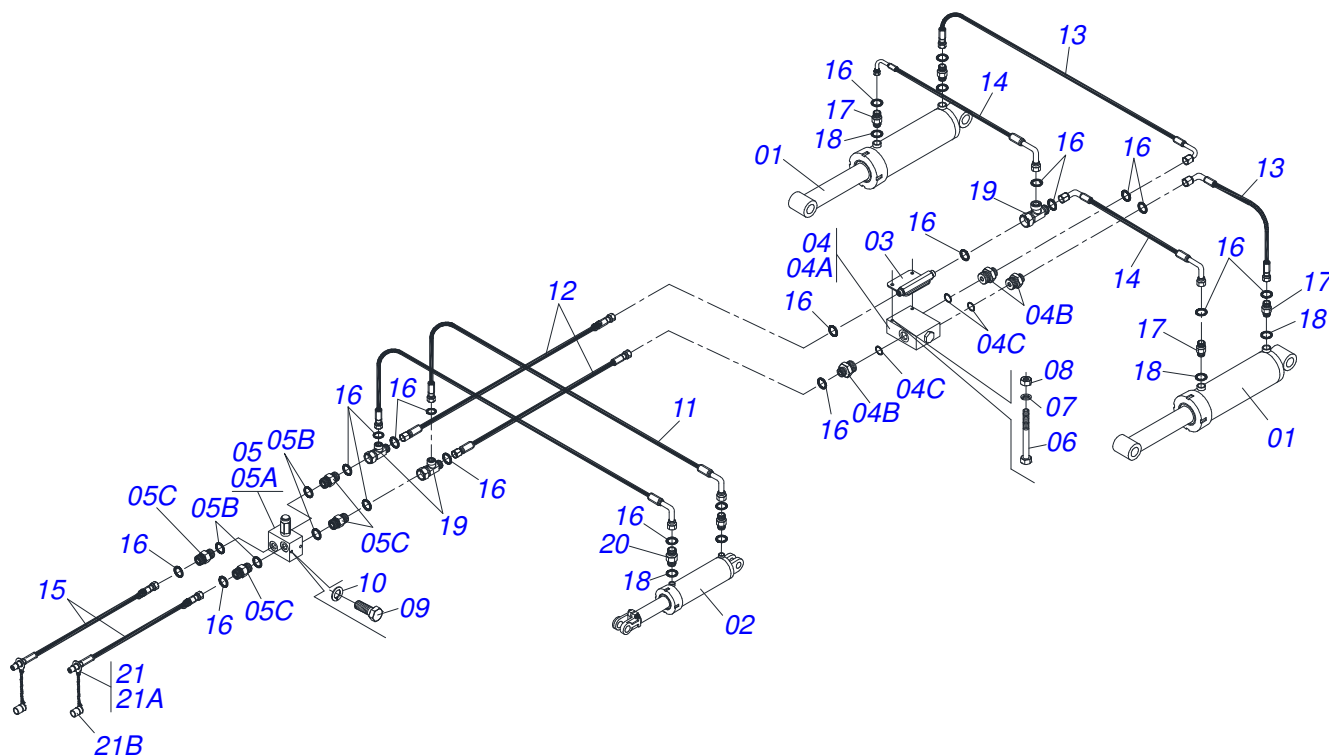
Item	Code	Description	18/20/22/24/26
01	0511042421	2-1/2" X 91.7" AXLE WITH NUTS	02 04 02 00 00
01A	0541011893	2-1/2" X 91.7" AXLE	02 04 02 00 00
01B	0502040064	2.1/2"SNC X 70 99 NUT	04 08 04 00 00
02	0511044898	2.1/2 X 1810 AXLE WITH NUTS	02 00 00 00 00
02A	0551010075	2.1/2 X 1810 AXLE	02 00 00 00 00
02B	0502040064	2.1/2"SNC X 70 99 NUT	04 00 00 00 00
03	0511044953	2-1/2" X 2815 AXLE	00 00 02 04 02
03A	0551010438	2.1/2" X 2815 AXLE	00 00 02 04 02
03B	0502040064	2.1/2"SNC X 70 99 NUT	00 00 04 08 04
04	0521040419	AXLE WITH NUTS	00 00 00 00 02
04A	0571010567	2-1/2" X 3320 AXLE	00 00 00 00 02
04B	0502040064	2.1/2"SNC X 70 99 NUT	00 00 00 00 04
05	0541010368	NUT LOCK	08 08 08 08 08
06	0502010593	2-1/2" EXTERNAL AXLE WASHER	04 04 04 04 04
07	0502010592	2-1/2" INNER AXLE WASHER	04 04 04 04 04
08	0511042200	495MM X 2-1/2" RD. OIL BATH BEARING	08 08 08 08 10
09	0502012414	SPACER	06 08 10 12 12
10	0503010232	5/8" X 1.3/4" BOLT	08 08 08 08 08
11	0503010027	SPRING WASHER	08 08 08 08 08
12	0503010013	5/8" NUT	08 08 08 08 08
13	0521040349	1-1/4" X 5.3/4" BOLT	16 16 16 16 20
13A	0501041301	1-1/4"X 5-3/4" ASSY BOLT	16 16 16 16 20
13B	0501010953	1-1/4" SQUARE WASHER	16 16 16 16 20
13C	0531010713	FLAT WASHER	16 16 16 16 20
13D	0501010087	1.1/4" NUT	32 32 32 32 40
14	0602048062	36 X 12MM NOTCHED DISC	18 20 22 24 26
15	0602050002	39 X 12 NOTCHED DISC BLADE	18 20 22 24 26
16	0602051003	40" X 12MM NOTCHED DISC BLADE	18 20 22 24 26
17	0602052022	42" X 12MM NOTCHED DISK	18 20 22 24 26



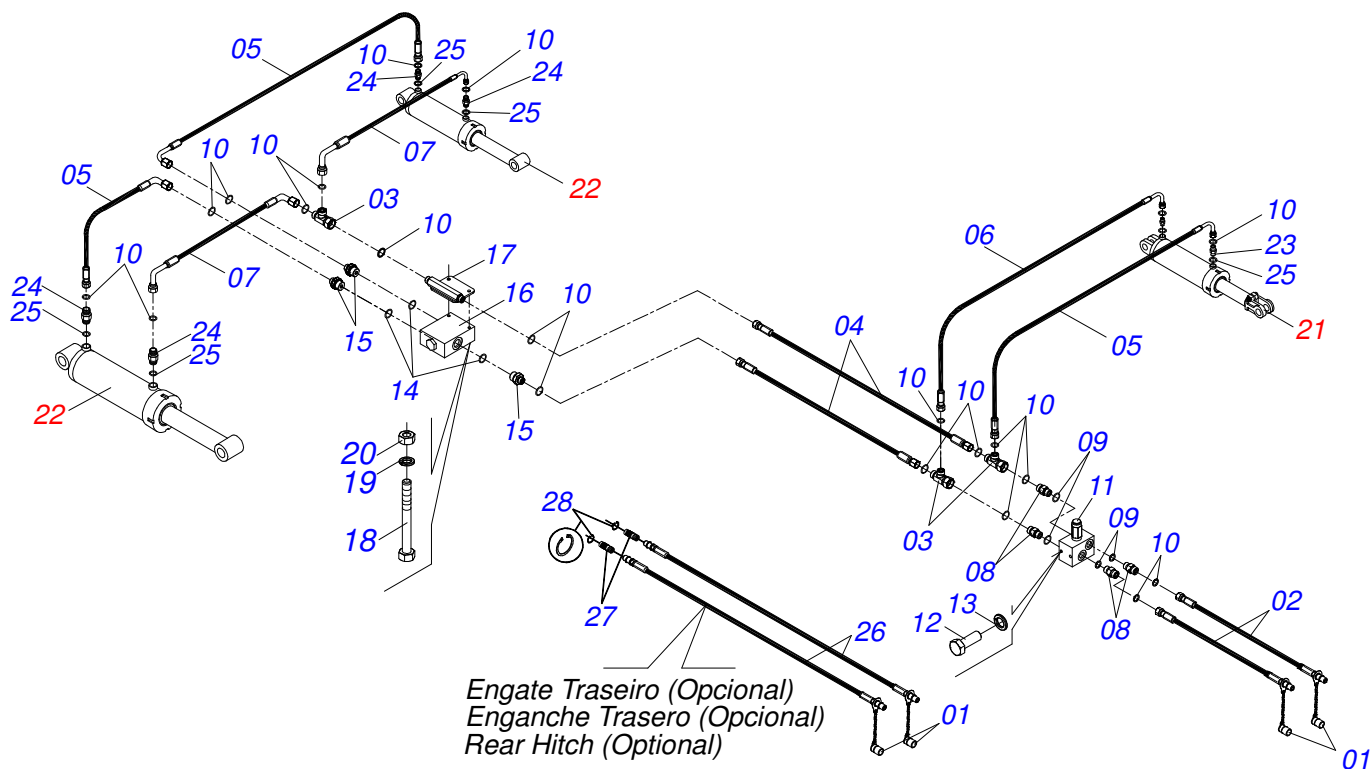
Item	Code	Description	QT
01	0502012846	BEARING INNER FLANGE	01
02	0502012415	HOUSING BEARING	01
03	0521062889	PROTECTION CAP	01
04	0502040119	SEAL RETAINER	02
05	0503030029	SEAL # LP JB-259	04
06	0503013243	32218 ROLLER BEARING	02
07	0502012226	425 BEARING AXLE	01
08	0502010644	HOUSING CAP DM	01
09	0502012847	BEARING OUTER FLANGE	01
10	0503010834	1/2 X 1 BOLT	04
11	0503010019	1/2" SPRING WASHER	04
12	0511017302	FLAT WASHER	04
13	0503010856	OIL PLUG	02
14	0501010063	1/2" X 1-1/2" BOLT	06
15	0503011440	SPRING WASHER	06
16	0503030537	8.3" X 6.3" X 0.01" JOINT	02
17	0503030687	8.3" X 6.3" X 0.004" JOINT	01



Item	Code	Description	QT
01	0511058419	HYDRAULIC CYLINDER	01
02	0511048619	HYDRAULIC CYLINDER	02
03	0503013637	T 1/2" MALE ADAPTER	04
04	0503011030	2-014 N 3006-9B O-RING	12
05	0503032031	3/4" UNF REDUCTION NIPPLE	02
06	0503010190	2-114 N 3006-9B O-RING	06
07	0503030923	3/4" UNF X 13/16UN OFS X 40 NIPPLE	04
08	0501080917	1/2" X 5500 TR-TM HOSE ASSY	02
09	0501081935	1/2 X 4700 TR-TC TERM OFS HOSE	01
10	0501081075	1/2" X 4000 TR-TC HOSE ASSY	01
11	0501081114	1/2 X 1330 TR-TR HOSE ASSY	01
12	0501081620	1/2" X 1700 TC-TC HOSE	01
13	0501053834	QUICK CONECTION (MALE) 1/2	02
13A	0503011627	QUICK CONNECTION (MALE) AGR 1/2 NPT	02
13B	0503011882	QUICK CONNECTION COVER	02



Item	Code	Description	QT
01	0511048619	HYDRAULIC CYLINDER	02
02	0511058419	HYDRAULIC CYLINDER	01
03	0521062967	OIL TUBE DISTRIBUTOR	01
04	0511051627	FLOW DIVIDING VALVE	01
04A	0503016227	FLOW DIVIDING VALVE	01
04B	0571010736	NIPPLE R1.1/16 UN X 13/16UN OFS	03
04C	0503011109	2-119 N 3006-9B O-RING	03
05	0501055696	DISCHARGE VALVE OFS ASSY	01
05A	0503010919	DISCHARGE VALVE	01
05B	0503010190	2-114 N 3006-9B O-RING	04
05C	0503030923	3/4" UNF X 13/16UN OFS X 40 NIPPLE	04
06	0503011053	5/16" X 3" C S 6.5 ZN BOLT	02
07	0503010179	SPRING WASHER	02
08	0503010337	5/16" NUT	02
09	0503010237	3/8" X 1" BOLT	02
10	0503010025	3/8 SPRING WASHER	02
11	0501081707	1/2" X 1000 TC-TR OFS HOSE	01
12	0501081708	1/2" X 2300 TR-TR OFS HOSE	02
13	0501081115	1/2" X 1330 TC-TR HOSE ASSY	03
14	0501081116	1/2 X 1630 TC-TC HOSE ASSY	02
15	0501080917	1/2" X 5500 TR-TM HOSE ASSY	02
16	0503011030	2-014 N 3006-9B O-RING	21
17	0503030923	3/4" UNF X 13/16UN OFS X 40 NIPPLE	08
18	0503010190	2-114 N 3006-9B O-RING	06
19	0503013637	T 1/2" MALE ADAPTER	03
20	0503032031	3/4" UNF REDUCTION NIPPLE	02
21	0501053834	QUICK CONECTION (MALE) 1/2	02
21A	0503011627	QUICK CONNECTION (MALE) AGR 1/2 NPT	01
21B	0503011882	QUICK CONNECTION COVER	01



Item	Code	Description	QT
01	0501053834	QUICK CONECTION (MALE) 1/2	02
02	0501080917	1/2" X 5500 TR-TM HOSE ASSY	02
03	0503013637	T 1/2" MALE ADAPTER	03
04	0501081708	1/2" X 2300 TR-TR OFS HOSE	02
05	0501081115	1/2" X 1330 TC-TR HOSE ASSY	03
06	0501081707	1/2" X 1000 TC-TR OFS HOSE	01
07	0501081116	1/2 X 1630 TC-TC HOSE ASSY	02
08	0503030923	3/4" UNF X 13/16UN OFS X 40 NIPPLE	04
09	0503010190	2-114 N 3006-9B O'RING	06
10	0503011030	2-014 N 3006-9B O'RING	21
11	0503010919	DISCHARGE VALVE	01
12	0503010237	3/8" X 1" BOLT	02
13	0503010025	3/8 SPRING WASHER	02
14	0503011109	2-119 N 3006-9B O'RING	02
15	0571010736	NIPPLE R1.1/16 UN X 13/16UN OFS	03
16	0503016227	FLOW DIVIDING VALVE	01
17	0521062967	OIL TUBE DISTRIBUTOR	01
18	0503011053	5/16" X 3" C S 6.5 ZN BOLT	02
19	0503010179	SPRING WASHER	02
20	0503010337	5/16" NUT	02
21	0511048617	HYDRAULIC CYLINDER	01
22	0511048619	HYDRAULIC CYLINDER	02
23	0503032031	3/4" UNF REDUCTION NIPPLE	02
24	0503030923	3/4" UNF X 13/16UN OFS X 40 NIPPLE	04
25	0503010190	2-114 N 3006-9B O'RING	06
26	0501081766	1/2 X 9600 TM-TM HOSE ASSY	02
27	0503010217	501040 CLAMPING RING (FOR AXLE)	04
28	0501053835	FEMALE QUICK COUPLER	02

ANNOTATIONS

Lined area for annotations.

**ORIGINAL PARTS
TATU**





MARCHESAN IMPLEMENTOS E MÁQUINAS AGRÍCOLAS TATU S.A.

AV. Marchesan, 1979 - Post office box, 131 - CEP 15994-900 - Matão - SP - Brazil

Phone +55 16.3382-8282

(FAX Parts) + 55 16.3382. 8297 - (Export) + 55 16.3382.1003

e.mail: tatu@marchesan.com.br www.marchesan.com.br

Technical Publications: Elaboration

JOSÉ DOMINGOS GASPARI

Technical Publications: Revision

JOSÉ DOMINGOS GASPARI

Contact Catálogo:

E-mail = jgaspari@marchesan.com.br

**ORIGINAL PARTS
TATU**

