

OFFSET DISK HARROW

**GCRO 7010 AXLE 1.5/8" RIGID
HYDRAULIC/ARTICULATED 44-48-52-56-60D**

Code: 0501091172

Series: S-0405

Revision: 00

Date Revision: MAIO/2022

PARTS CATALOGUE



MARCHESAN



PRODUCTS

Code	Description
0102260631	GCRO 7010 44 X 26 X 6 DM DR S-0405
0102260637	GCRO 7010 44 X 28 X 6 DM DR S-0405
0102260643	GCRO 7010 44 X 28 X 7,5 DM DR S0405
0102260419	GCRO 7010 44X28X7,5DMMTS/PNS/ETS405
0102560095	GCRO 7010 44X30X7,5 DM DR FF S-0405
0102260638	GCRO 7010 48 X 28 X 6 DM DR S-0405
0102260547	GCRO 7010 48 X 28 X 7,5 DM DR S0405
0102560096	GCRO 7010 48X26X6 DM DR ESPEC S0405
0102560097	GCRO 7010 48X28X7,5 DM DR FF S0405
0102560177	GCRO 7010 48X28X7,5 DM DR FF C/ET S-0405
0102260383	GCRO 7010 48X28X7,5MT S/PN BP ET405
0102260644	GCRO 7010 52 X 26 X 6 DM DR S-0405
0102260647	GCRO 7010 52 X 28 X 6 DM DR S-0405
0102560157	GCRO 7010 52 X 28 X 7,5 DM DR ESPECIAL S-0405
0102260650	GCRO 7010 52 X 28 X 7,5 DM DR S0405
0102560098	GCRO 7010 52X28X7,5 DM DR FF S0405
0102260412	GCRO 7010 52X28X7,5DMDRS/PNC/ETS405
0102260427	GCRO 7010 52X30X7,5 DM DR C/ET S405
0102560100	GCRO 7010 52X30X7,5 DM DR FF S0405
0102260452	GCRO 7010 52X30X7,5DMDLS/PNC/ETS405
0102260451	GCRO 7010 52X30X7,5DMDRS/PNC/ETS405
0102260645	GCRO 7010 56 X 26 X 6 DM DR S-0405
0102260648	GCRO 7010 56 X 28 X 6 DM DR S-0405
0102260651	GCRO 7010 56 X 28 X 7,5 DM DR S0405
0102260415	GCRO 7010 56X28X6DMDR S/PNS/ET S405
0102260385	GCRO 7010 56X28X7,5 DM MT S405
0102560102	GCRO 7010 56X28X7,5 DMMT ESPEC S405
0102260411	GCRO 7010 56X28X7,5DMDRS/PNS/ETS405
0102260668	GCRO 7010 56X30X7,5 DM DR C/ET S405
0102560104	GCRO 7010 56X30X7,5 DM DR FF S0405

ATTENTION: IMPORTANT

Marchesan S.A. reserves the right to improve and/or modify the technical features of its products, without obligation to do the same with those products already sold and without prior knowledge of the dealer or the consumer. The photos are only illustrative.



PRODUCTS

0102560121	GCRO 7010 56X30X7,5 DMMT ESPEC S405
0102260436	GCRO 7010 56X30X7,5DMDRS/PNS/ETS405
0102260646	GCRO 7010 60 X 26 X 6 DM DR S-0405
0102260649	GCRO 7010 60 X 28 X 6 DM DR S-0405
0102260386	GCRO 7010 60 X 28 X 7,5 DM MT S0405
0102560124	GCRO 7010 60X28X7,5 DMDR ESPEC S405
0102260652	GCRO 7010 60X28X7,5DM DR S0405
0102560108	GCRO 7010 60X30X7,5 DMMT ESPEC S405
0102260433	GCRO 7010 60X30X7,5DMDRFF C/ET S405
0102260660	GCRO 7010 60X30X7,5DMDRS/PNC/ETS405

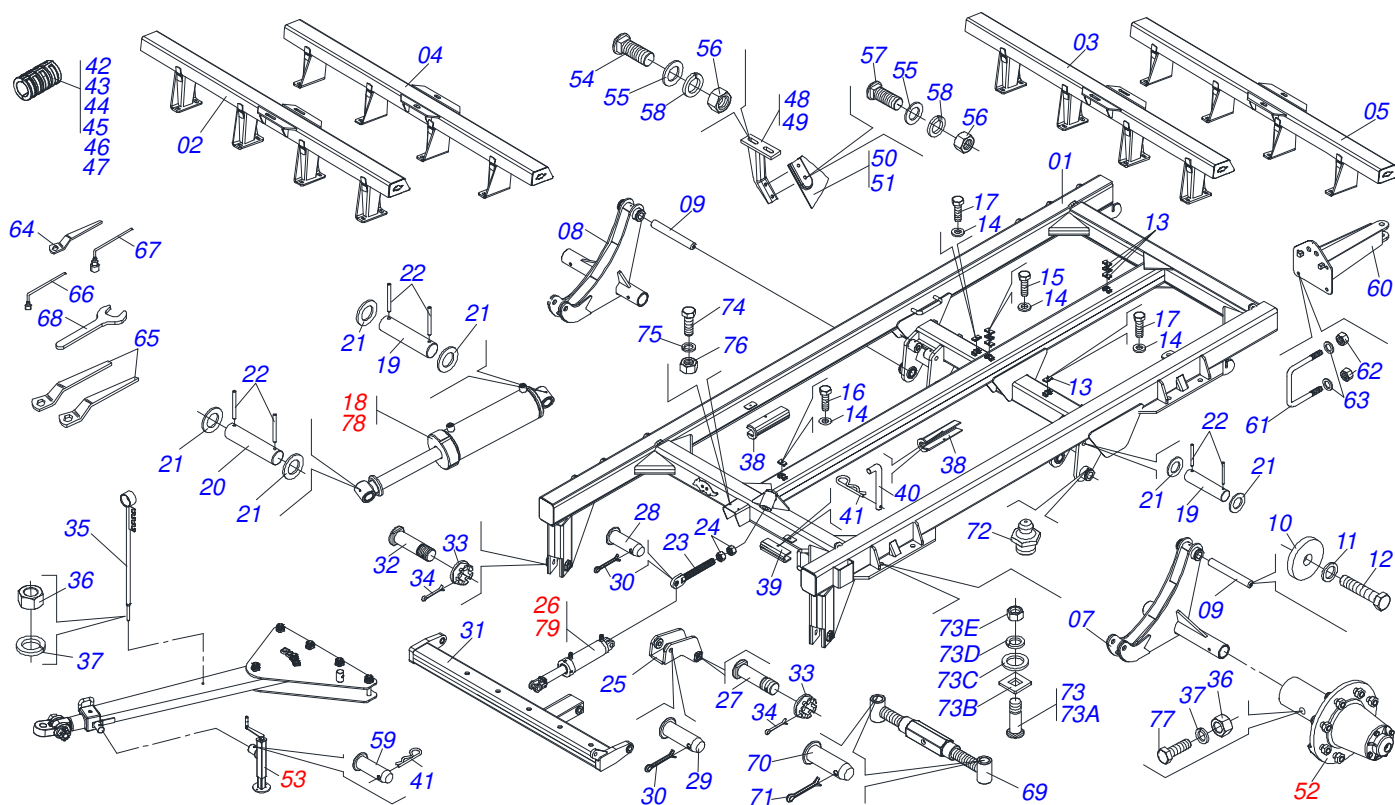
ATTENTION: IMPORTANT

Marchesan S.A. reserves the right to improve and/or modify the technical features of its products, without obligation to do the same with those products already sold and without prior knowledge of the dealer or the consumer. The photos are only illustrative.



INDEX

0909091445	ASSY FRAME - 44/48D	1
0909091446	ASSY FRAME - 52/56/60D	2
0501056467	STUB SHAFT & HUB ASSY	3
0521051832	HYDRAULIC CYLINDER 53,98 X 114,30 X 654 X 346	4
0511048619	HYDRAULIC CYLINDER	5
0909091448	RIGHT SIDE REAR DISC SECTION - 48D	6
0909091447	FRONT GANG DISC - 44/48D	7
0909095260	REAR GANG DISC - 44/48D	8
0909091449	44/48 DISC, HYDRAULIC CIRCUIT FRAME ARTICULATION	9
0511048618	101,6 X 810 HYDRAULIC CYLINDER	10
0511043621	50,8 X 101,6 HYDRAULIC CYLINDER	11
0909091444	SECTION BLADES FRONT RIGHT / LEFT SIDE - 52/56/60D	12
0909091452	RIGHT SIDE REAR DISC SECTION - 52/56/60D	13
0909091450	FRONT / REAR CENTER DISC SECTION - 52/56/60D	14
0909091451	LEFT SIDE REAR GANG DISC - 52/56/60D	15
0909091453	HYDRAULIC CIRCUIT - 52/56/60D	16
0511041599	2 X 5 X 25,75 X 13,62 HYDRAULIC CYLINDER	17
0511048617	HYDRAULIC CYLINDER	18
0501049064	50,8 X 101,6 X 515 X 203 HYDRAULIC CYLINDER	19
0521052964	MANUAL DOOR ASSY INSTRUCTION	20

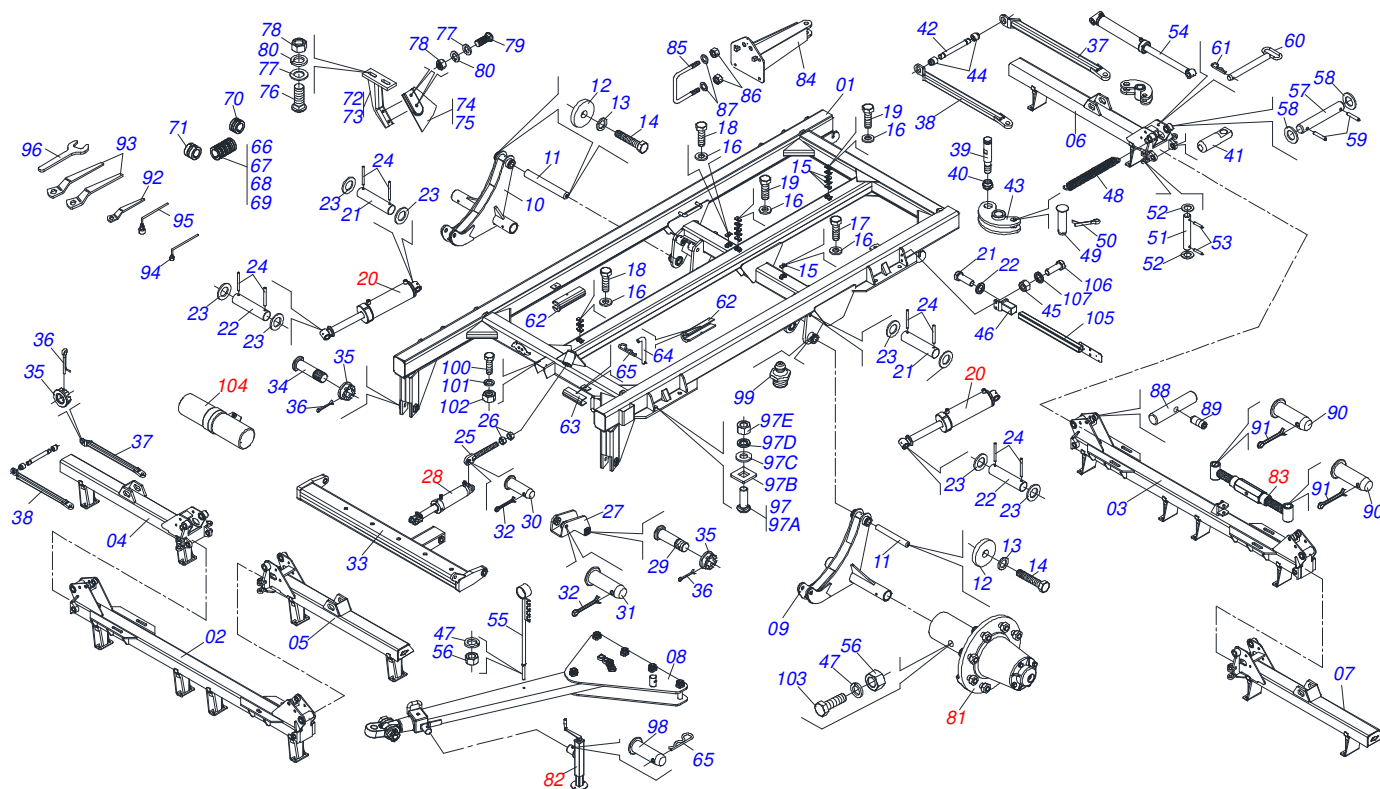


Item	Code	Description	See page	044	048
01	0511066590	FRAME GCRO 7010/7012		001	001
02	0511066041	FRONT FRAME		001	000
03	0511066043	FRONT FRAME		000	001
04	0511066042	REAR FRAME		001	001
05	0511066044	REAR FRAME		000	001
06	0511041592	DRAWBAR ASSY		001	001
07	0511066611	LEFT CARRYING-WHEELS SUPPORT		001	001
08	0511066741	RIGHT CARRYING-WHEELS SUPPORT		001	001
09	0531018062	COUPLING SHAFT		002	002
10	0521011565	FLAT WASHER		004	004
11	0503010012	1" SPRING WASHER		004	004
12	0503011250	1" X 2" BOLT		004	004
13	0502012702	BODY SUPPORT CLAMP		010	010
14	0503010180	7/16" SPRING WASHER		004	004
15	0503012555	SCREW 7/16 UNC X 2 CS RT G.7 ZN		002	002
16	0503010850	BOLT 7/16 UNC X 3 CS G.5 ZN		001	001
17	0503010851	7/16" X 3.1/2" BOLT		002	002
18	0511041599	2 X 5 X 25,75 X 13,62 HYDRAULIC CYLINDER	17	002	002 (REPOSIÇÃO)(REPLACEMNT)
19	0531018105	1.2" X 11.8" PIVOT SHAFT		002	002
20	0531018101	1.2" X 6.3" PIVOT SHAFT		002	002
21	0501017779	32 X 60 X 4.75 FLAT WASHER		008	008
22	0503011877	0.3" X 2.4" SPRING PIN		008	008
23	0511064433	REGULATOR SPINDLE 1-3/4		001	001
24	0501010333	1.3/4" NUT		002	002
25	0511064656	DRAWBAR PIVOT		001	001
26	0501049064	50,8 X 101,6 X 515 X 203 HYDRAULIC CYLINDER	19	001	001 (REPOSIÇÃO)(REPLACEMNT)
27	0521012053	1.5" X 8.6" AXLE		001	001
28	0521012538	1.2" X 3.5" COUPLING SHAFT		001	001
29	0531019171	1.25" X 7" COUPLING SHAFT		001	001
30	0503010523	1/4" X 2" COTTERPIN		002	002
31	0511066478	HITCH BAR		001	001



**GCRO 7010 AXLE 1.5/8" RIGID HYDRAULIC/ARTICULATED
ASSY FRAME - 44/48D**

Item	Code	Description	See page	044	048
32	0531018100	37,50 X 200 COUPLING SHAFT		002	002
33	0501011301	1.1/2 UNC 6FPP 2.5/16 NUT		003	003
34	0503010010	1/4" X 2.1/2" COTTERPIN		003	003
35	0511064470	HOSE HOLDER ASSY		001	001
36	0503010014	3/4" NUT		005	005
37	0503010023	3/4" SPRING WASHER		005	005
38	0511064985	TRANSPORT LOCK		002	002
39	0551010332	TRANSPORT LOCK		001	001
40	0541016844	FIXER LOCK		003	003
41	0503030168	HITCH PIN CLIP		004	004
42	0501047895	ROD STOP		003	003
43	0501047896	1.18" ROD STOP		003	003
44	0501047897	1.38" ROD STOP		003	003
45	0501047898	1.57" ROD STOP		003	003
46	0501047917	1.96" ROD STOP		003	003
47	0501047924	ROD STOP		003	003
48	0511065925	REAR SCRAPER SUPPORT		025	025
49	0511065926	FRONT SCRAPER SUPPORT		024	024
50	0541013461	FRONT SCRAPER SHOVEL		024	024
51	0541013463	REAR SCRAPER SHOVEL		025	025
52	0501056467	STUB SHAFT & HUB ASSY	3	004	004
53	0511048088	DRAWBAR JACK		001	001
54	0503013842	5/8" UNC X 1-3/4" BOLT		098	098
55	0501012140	FLAT WASHER		196	196
56	0503010013	5/8" NUT		196	196
57	0503012195	5/8" NUT		098	098
58	0503010027	5/8" SPRING WASHER		196	196
59	0541011345	16 X 68 PLUGER		001	001
60	0501069421	REAR HITCH GCRO		001	001
61	0541016679	7/8 UNF X 188,5 FASTENER		002	002
62	0503010558	7/8" NUT		004	004
63	0503010408	7/8" SPRING WASHER		004	004
64	0501011432	1-1/2" AND 1-5/8 GANG BOLT WRENCH		001	001
65	0501011431	1-3/4" GANG BOLT WRENCH		002	002
66	0501061609	3/4" WRENCH CABLE CYLINDRICAL		001	001
67	0501062300	1-1/4" WRENCH CABLE CYLINDRICAL		001	001
68	0541015451	FIXED KEY 2.3/8 X 2.3/4		001	001
69	0501052005	STABILIZER FOR GANG		001	001
70	0521010546	1.2" X 5.7" COUPLING SHAFT		002	002
71	0503010523	1/4" X 2" COTTERPIN		002	002
72	0503010002	1800 GREASE FITTING		020	020
73	0501041102	1-1/4" X 3-3/4" ASSY BOLT		008	008
73A	0501015348	1-1/4" X 3-3/4" BOLT		008	008
73B	0501010953	1-1/4" SQUARE WASHER		008	008
73C	0531010713	FLAT WASHER		008	008
73D	0503010070	SPRING WASHER		008	008
73E	0501010087	1.1/4" NUT		008	008
74	0503010765	3/8" X 3" BOLT		002	002
75	0503010025	3/8" SPRING WASHER		002	002
76	0503010026	3/8" NUT		002	002
77	0503013185	3/4" X 5-1/2" BOLT		004	004
78	0521051832	HYDRAULIC CYLINDER 53,98 X 114,30 X 654 X 346	4	002	002 (ATUAL) (CURRENT)
79	0511058419	HYDRAULIC CYLINDER 50,80 X 101,60 X 514 X 206		001	001 (ATUAL) (CURRENT)



Item	Code	Description	See page	52	56	60
001	0511066590	FRAME GCRO 7010/7012		01	01	01
002	0511066556	FRONT CENTRAL FRAME		01	01	01
003	0511066557	REAR CENTER FRAME		01	01	01
004	0511066776	RIGHT SIDE REAR FRAME		01	00	00
004.	0511066770	56" RIGHT FRONT SIDE FRAME		00	01	00
004..	0511066558	67" RIGHT FRONT SIDE FRAME		00	00	01
005	0511066777	LEFT FRONT SIDE FRAME		01	00	00
005.	0511066771	LEFT FRONT SIDE FRAME		00	01	00
005..	0511066559	LEFT FRONT SIDE FRAME		00	00	01
006	0511066778	RIGHT SIDE REAR FRAME		01	00	00
006.	0511066772	RIGHT SIDE REAR FRAME		00	01	00
006..	0511066560	RIGHT REAR FRAME		00	00	01
007	0511066779	LEFT SIDE REAR FRAME		01	00	00
007.	0511066773	LEFT SIDE REAR FRAME		00	01	00
007..	0511066561	RIGHT SIDE REARFRAME		00	00	01
008	0511041592	DRAWBAR ASSY		01	01	01
009	0511066611	LEFT CARRYING-WHEELS SUPPORT		01	01	01
010	0511066741	RIGHT CARRYING-WHEELS SUPPORT		01	01	01
011	0531018062	COUPLING SHAFT		02	02	02
012	0521011565	FLAT WASHER		04	04	04
013	0503010012	1" SPRING WASHER		04	04	04
014	0503011250	1" X 2" BOLT		04	04	04
015	0502012702	BODY SUPPORT CLAMP		15	15	15
016	0503010180	7/16" SPRING WASHER		05	05	05
017	0503012555	SCREW 7/16 UNC X 2 CS RT G.7 ZN		02	02	02
018	0503010850	BOLT 7/16 UNC X 3 CS G.5 ZN		01	01	01
019	0503010723	7/16UNC X 4 C SG.5 ZN1K19920 BOLT		02	02	02
020	0521051832	HYDRAULIC CYLINDER 53,98 X 114,30 X 654 X 346	4	02	02	02 (ATUAL) (CURRENT)
020.	0511041599	2 X 5 X 25,75 X 13,62 HYDRAULIC CYLINDER	17	02	02	02 (REPOSIÇÃO)(REPLACEMNT)
021	0531018105	1.2" X 11.8" PIVOT SHAFT		02	02	02
022	0531018101	1.2" X 6.3" PIVOT SHAFT		02	02	02



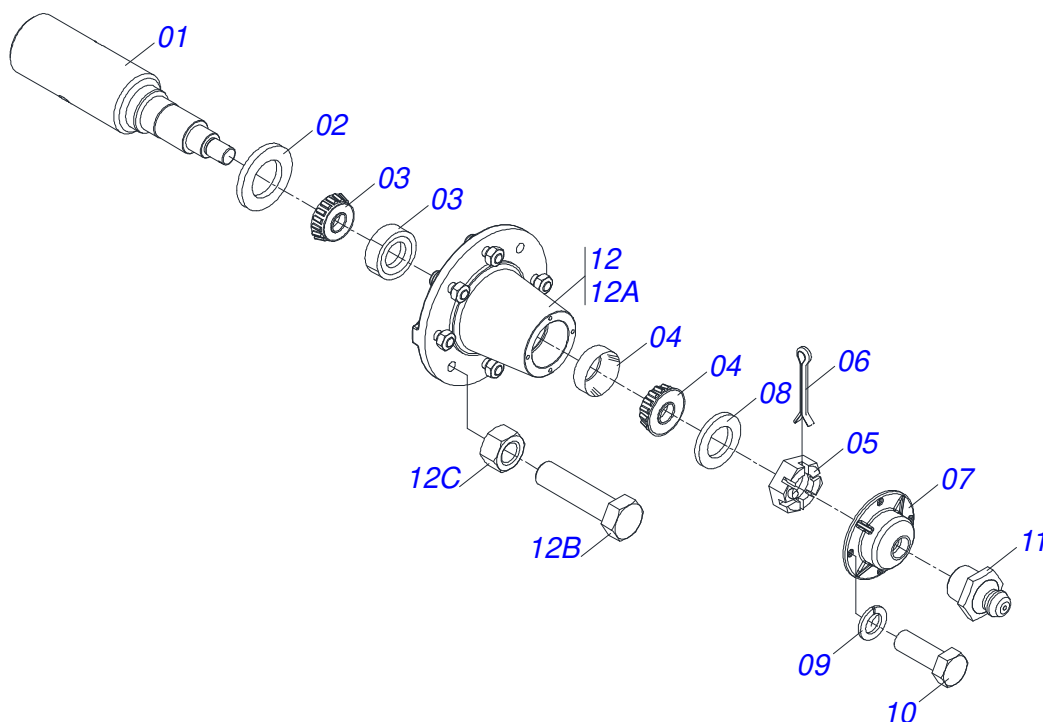
**GCRO 7010 AXLE 1.5/8" RIGID HYDRAULIC/ARTICULATED
ASSY FRAME - 52/56/60D**

Item	Code	Description	See page	52	56	60
023	0501017779	32 X 60 X 4.75 FLAT WASHER		08	08	08
024	0503011877	0.3" X 2.4" SPRING PIN		08	08	08
025	0511064433	REGULATOR SPINDLE 1-3/4		01	01	01
026	0501010333	1.3/4" NUT		02	02	02
027	0511064656	DRAWBAR PIVOT		01	01	01
028	0511058419	HYDRAULIC CYLINDER 50,80 X 101,60 X 514 X 206		01	01	01 (ATUAL) (CURRENT)
028.	0501049064	50,8 X 101,6 X 515 X 203 HYDRAULIC CYLINDER	19	01	01	01 (REPOSIÇÃO)(REPLACEMNT)
029	0521012053	1.5" X 8.6" AXLE		01	01	01
030	0521012538	1.2" X 3.5" COUPLING SHAFT		01	01	01
031	0531019171	1.25" X 7" COUPLING SHAFT		01	01	01
032	0503010523	1/4" X 2" COTTERPIN		02	02	02
033	0511066478	HITCH BAR		01	01	01
034	0531018100	37,50 X 200 COUPLING SHAFT		02	02	02
035	0501011301	1.1/2 UNC 6FPP 2.5/16 NUT		11	11	11
036	0503010010	1/4" X 2.1/2" COTTERPIN		11	11	11
037	0511067209	FRONT DRIVER ARM		04	04	04
037.	0501057273	PIVOT ARM ASSY		00	04	00
038	0511067210	DRIVER ARM		04	04	04
038.	0501057274	LH REAR DRIVER ARM		00	04	00
039	0541016749	LOCK AXLE PIVOT		08	08	08
040	0541019258	1.1/4 ADJUSTING NUT		08	08	08
041	0541019253	FRAME LOCK AXLE		08	08	08
042	0501210091	ARTICULATOR PIVOT AXIS		04	04	04
043	0511066497	LOK PIVOT		08	08	08
044	0541016614	38,20 X 62 X 61 SLEEVE		08	08	08
045	0503010060	1/2" NUT		04	04	04
046	0521066624	FIXER SUPPORT LANTERN		04	04	04
047	0503010023	3/4" SPRING WASHER		05	05	05
048	0503032537	50,7 X 325 X 6,35 TRACTION SPRING		04	04	04
049	0521010572	0.9" X 2.9" COUPLING SHAFT		08	08	08
050	0503010571	1/4" X 1.1/2 COTTERPIN		08	08	08
051	0541016677	37,20 X 177 COUPLING SHAFT		08	08	08
052	0511019685	FLAT WASHER		08	08	08
053	0503010361	SPRING PIN		08	08	08
054	0511048618	101,6 X 810 HYDRAULIC CYLINDER	10	04	04	04 (ATUAL) (CURRENT)
054.	0511043621	50,8 X 101,6 HYDRAULIC CYLINDER	11	04	04	04 (REPOSIÇÃO)(REPLACEMNT)
055	0511064470	HOSE HOLDER ASSY		01	01	01 (REPOSIÇÃO)(REPLACEMNT)
055.	0521062849	HOSE HOLDER ASSY		01	01	01 (ATUAL) (CURRENT)
056	0503010014	3/4" NUT		05	05	05
057	0521011720	2.0" X 15.7" COUPLING SHAFT		04	04	04
058	0511019776	FLAT WASHER		08	08	08
059	0503011069	0.4" X 2.8" SPRING PIN		08	08	08
060	0501069463	1" X 8" LOCK PIN		04	04	04
061	0503030012	HITCH PIN CLIP		04	04	04
062	0511064985	TRANSPORT LOCK		02	02	02
063	0551010332	TRANSPORT LOCK		01	01	01
064	0541016844	FIXER LOCK		03	03	03
065	0503030168	HITCH PIN CLIP		04	04	04
066	0501047895	ROD STOP		03	03	03
067	0501047896	1.18" ROD STOP		03	03	03
068	0501047897	1.38" ROD STOP		03	03	03
069	0501047898	1.57" ROD STOP		03	03	03
070	0501047917	1.96" ROD STOP		03	03	03
071	0501047924	ROD STOP		03	03	03
072	0511065925	REAR SCRAPER SUPPORT		27	29	31
073	0511065926	FRONT SCRAPER SUPPORT		26	28	30
074	0541013461	FRONT SCRAPER SHOVEL		26	28	30
075	0541013463	REAR SCRAPER SHOVEL		27	29	31
076	0503013842	5/8" UNC X 1-3/4" BOLT		106	114	

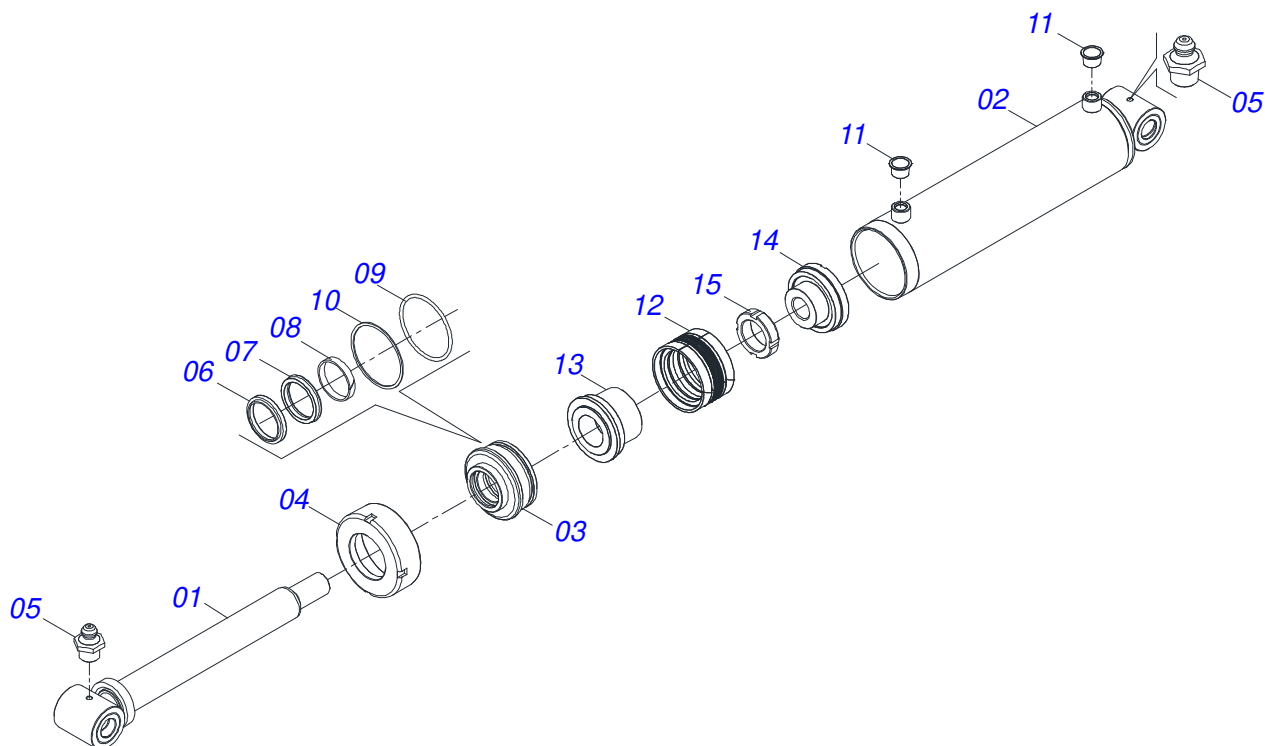


**GCRO 7010 AXLE 1.5/8" RIGID HYDRAULIC/ARTICULATED
ASSY FRAME - 52/56/60D**

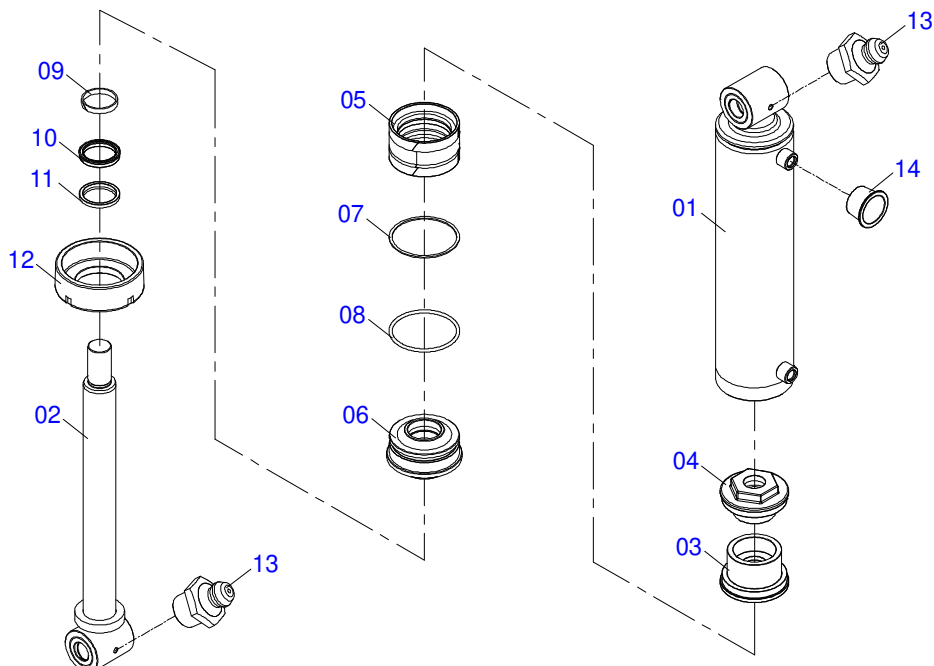
Item	Code	Description	See page	52	56	60
077	0501012140	FLAT WASHER		212	228	
078	0503010013	5/8" NUT		212	228	
079	0503012195	5/8" NUT		106	114	
080	0503010027	5/8" SPRING WASHER		212	228	
081	0501056467	STUB SHAFT & HUB ASSY	3	04	04	04
082	0511048088	DRAWBAR JACK		01	01	01
083	0501052005	STABILIZER FOR GANG		01	01	01
084	0501069421	REAR HITCH GCRO		01	01	01
085	0541016679	7/8 UNF X 188,5 FASTENER		02	02	02
086	0503010558	7/8" NUT		04	04	04
087	0503010408	7/8" SPRING WASHER		04	04	04
088	0541016676	1.1/2 X 175 AXLE		04	04	04
089	0503013662	1/2" X 1" BOLT		04	04	04
090	0521010546	1.2" X 5.7" COUPLING SHAFT		02	02	02
091	0503010523	1/4" X 2" COTTERPIN		02	02	02
092	0501011432	1-1/2" AND 1-5/8 GANG BOLT WRENCH		01	01	01
093	0501011431	1-3/4" GANG BOLT WRENCH		02	02	02
094	0503016140	3/4" WRENCH CABLE CYLINDRICAL		01	01	01
095	0503016137	1-1/4" WRENCH CABLE CYLINDER		01	01	01
096	0541015451	FIXED KEY 2.3/8 X 2.3/4		01	01	01
097	0501041102	1-1/4" X 3-3/4" ASSY BOLT		08	08	08
097A	0501015348	1-1/4" X 3-3/4" BOLT		08	08	08
097B	0501010953	1-1/4" SQUARE WASHER		08	08	08
097C	0531010713	FLAT WASHER		08	08	08
097D	0503010070	SPRING WASHER		08	08	08
097E	0501010087	1.1/4" NUT		08	08	08
098	0541011345	16 X 68 PLUGER		01	01	01
099	0503010002	1800 GREASE FITTING		65	65	65
100	0503010765	3/8" X 3" BOLT		02	02	02
101	0503010025	3/8" SPRING WASHER		02	02	02
102	0503010026	3/8" NUT		02	02	02
103	0503013185	3/4" X 5-1/2" BOLT		04	04	04
104	0521052964	MANUAL DOOR ASSY INSTRUCTION	20	01	01	01
105	0521061054	LANTERN FIXING SUPPORT		02	02	02
106	0503011082	C1/2" X 1.3/4" SCREW		04	04	04
107	0503010019	1/2" SPRING WASHER		04	04	04



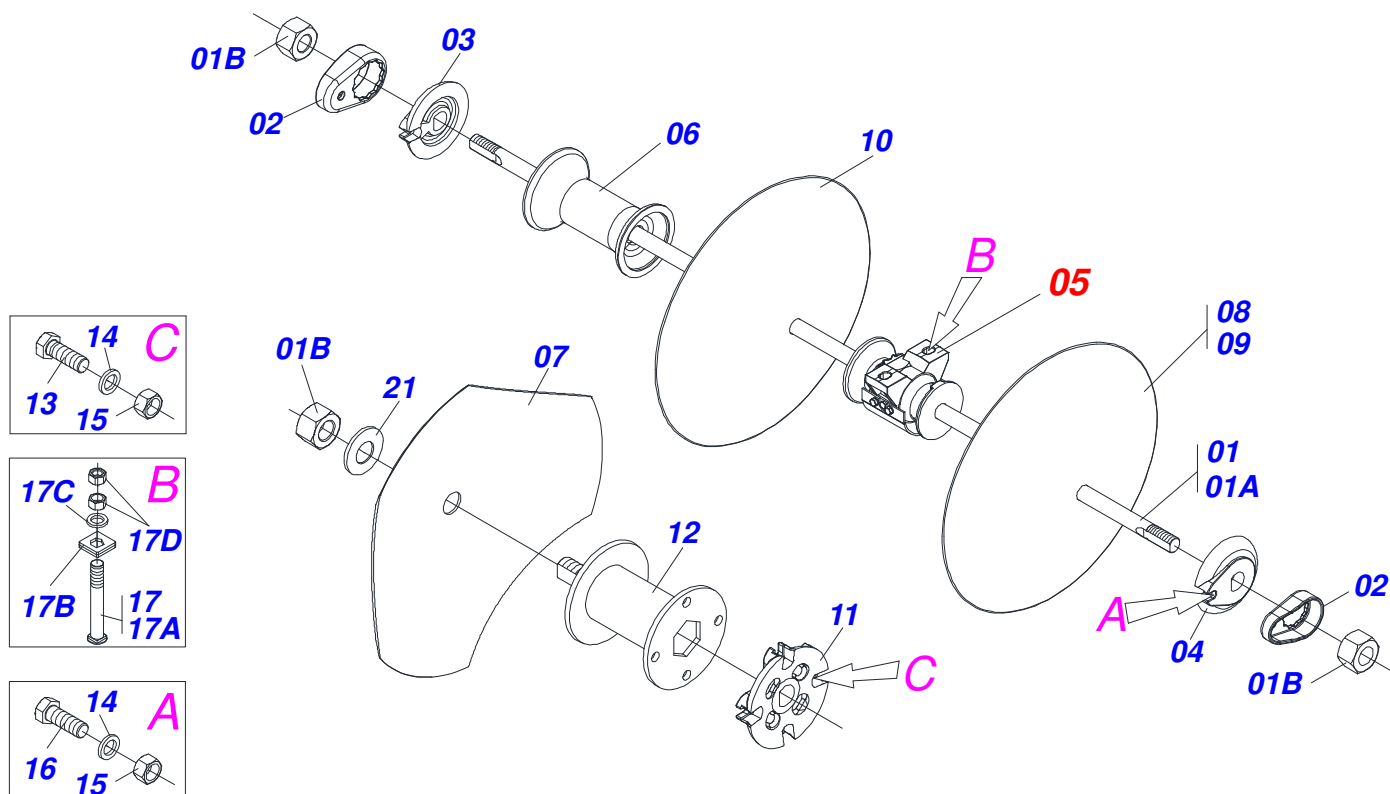
Item	Code	Description	See page	QT
01	0541016566	POINT AXIS 3.1/2 X 375		01
02	0503013314	RETAINER 5166-GB 63,5 X 110 X 13 ARCA		01
03	0503015290	3780/3720 ROLLER BEARING		01
04	0503014821	ROLLER BEARING		01
05	0503830009	1" X 0.9" CASTLE NUT		01
06	0503010018	5/32 X 1-1/2 COTTERPIN		01
07	0502020591	PROTECCION COVER		01
08	0511812492	FLAT WASHER		01
09	0503011444	SPRING WASHER		04
10	0503810358	5/16" X 7/8" UNC BOLT		04
11	0503010002	1800 GREASE FITTING		01
12	0501110738	CARRYING WHEEL HUB		01
12A	0502012260	TRANSPORT WHEEL BOX		01
12B	0501010186	WHEEL SCREW 5/8UNF X 2.1/8CR		08
12C	0503010064	5/8 UNF CONIC NUT		08



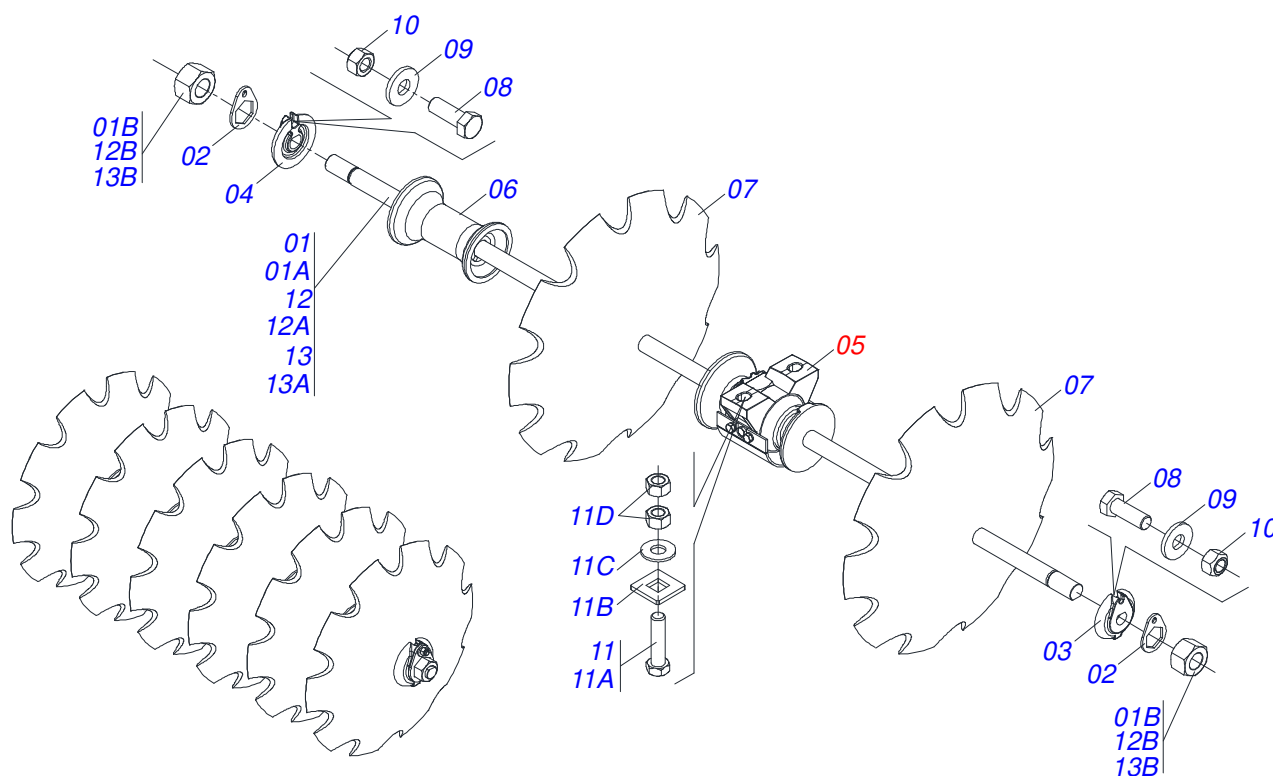
Item	Code	Description	See page	QT
01	0521061684	56,98 X 590,50 TURNBUCKLE		01
02	0521061685	114,30 X 500 CYLINDER CASE		01
03	0502012644	RING SUPPORT		01
04	0502011222	0.56" END CAP		01
05	0503010002	1800 GREASE FITTING		02
06	0503015715	SCRAPER SEALING		01
07	0503015642	U-CUP SEALING		01
08	0503015641	WEAR RING		00
09	0503011892	O' RING, 2-346 N 3006-9B		01
10	0503011893	BACK-UP RING, 8-346		01
11	0503030384	CON PLUG N-001		02
12	0503015640	SEALING SELEMASTER		01
13	0561016578	PISTON BODY		01
14	0581015283	BODY		01
15	0503819100	SCREW		01
16	0501038027	HYDRAULIC CYLINDER REPAIR KIT		01



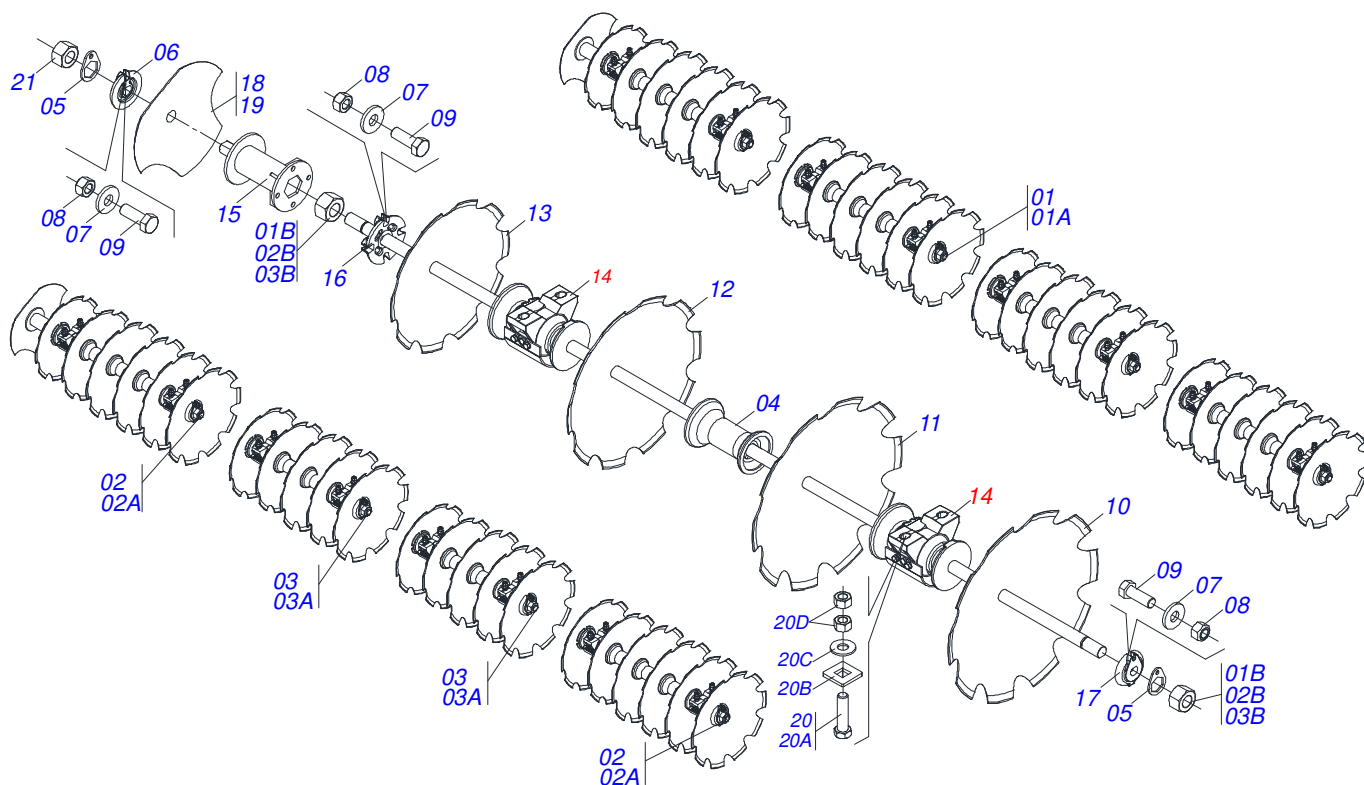
Item	Code	Description	See page	QT
01	0521061685	114,30 X 500 CYLINDER CASE		01
02	0521061684	56,98 X 590,50 TURNBUCKLE		01
03	0561016578	PISTON BODY		01
04	0502012643	PISTÓN BODY		01
05	0503015640	SEALING SELEMASTER		01
06	0502012644	RING SUPPORT		01
07	0503011893	BACK-UP RING, 8-346		01
08	0503011892	O' RING, 2-346 N 3006-9B		01
09	0503015641	WEAR RING		01
10	0503015642	U-CUP SEALING		01
11	0503015715	SCRAPER SEALING		01
12	0502011222	0.56" END CAP		01
13	0503010002	1800 GREASE FITTING		02
14	0503030384	CON PLUG N-001		02
15	0521041339	HYDRÁULIC CYLINDER REPAIR KIT		



Item	Code	Description	See page	QT
01	0501046856	1-5/8" X 59" AXLE WITH NUTS 2-3/4		04
01A	0501019012	1-5/8" X 59" AXLE		04
01B	0502040640	1.5/8" 2.3/4" NUT		09
02	0511014339	1-5/8" 2.8" NUT LOCK		08
03	0502011048	1-5/8" EXTERNAL AXLE WASHER		04
04	0502011047	1-5/8" INNER AXLE WASHER		04
05	0501048457	262MM X 1.5/8" RD OIL BATH BEARING		08
06	0502010703	10.35" 1-5/8" SPACER		14
07	0602029301	22" X 0.2" NOTCHED DISC BLADE		01
08	0601030005	24" X 0.2" PLAIN DISC BLADE		01
09	0601033005	26" X 0.2" PLAIN DISC BLADE		01
10	0601039053	28" X 0.3" PLAIN DISC BLADE		24
11	0502012377	1-5/8" EXTERNAL AXLE LOK		01
12	0511067146	10.35" AXLE 1-5/8" SPACER		01
13	0503010232	5/8" X 1.3/4" BOLT		04
14	0503010027	5/8" SPRING WASHER		12
15	0503010013	5/8" NUT		12
16	0503011267	BOLT 5/8 UNC X 1.1/2 C S G.5 ZN		08
17	0501041925	3/4" X 3-1/2" BOLT ASSY		16
17A	0501010950	3/4" X 3-1/2" BOLT		16
17B	0501010949	3/4" SQUARE WASHER		16
17C	0501010322	FLAT WASHER		16
17D	0503010014	3/4" NUT		32



Item	Code	Description	See page	44	48
01	0501046859	1-5/8" X 70" AXLE WITH NUTS 2-3/4"	00	04	
01A	0501015631	1-5/8" X 70" AXLE	00	04	
01B	0502040640	1.5/8" 2.3/4" NUT	00	08	
02	0511014339	1-5/8" 2.8" NUT LOCK	00	08	
03	0502011048	1-5/8" EXTERNAL AXLE WASHER	04	04	
04	0502011047	1-5/8" INNER AXLE WASHER	04	04	
05	0501048457	262MM X 1.5/8" RD OIL BATH BEARING	08	08	
06	0502010703	10.35" 1-5/8" SPACER	10	11	
07	0602037006	DR28X7,5 C102AF04FR1.11/16 10R TATU	22	24	
08	0503011267	BOLT 5/8 UNC X 1.1/2 C S G.5 ZN	08	08	
09	0503010027	5/8" SPRING WASHER	08	08	
10	0503010013	5/8" NUT	08	08	
11	0501041925	3/4" X 3-1/2" BOLT ASSY	16	16	
11A	0501010950	3/4" X 3-1/2" BOLT	16	16	
11B	0501010949	3/4" SQUARE WASHER	16	16	
11C	0501010322	FLAT WASHER	16	16	
11D	0503010014	3/4" NUT	32	32	
12	0501046854	1-5/8" X 48" AXLE WITH NUTS 2-3/4"	02	00	
12A	0501019016	1-5/8 X 48" AXLE	02	00	
12B	0502040640	1.5/8" 2.3/4" NUT	02	00	
13	0501046856	1-5/8" X 59" AXLE WITH NUTS 2-3/4"	02	00	
13A	0501019012	1-5/8" X 59" AXLE	02	00	
13B	0502040640	1.5/8" 2.3/4" NUT	02	00	



Item	Code	Description	See page	044 048
01	0501046859	1-5/8" X 70" AXLE WITH NUTS 2-3/4"		000 004
01A	0501015631	1-5/8" X 70" AXLE		000 004
01B	0502040640	1.5/8" 2.3/4" NUT		000 008
02	0501046856	1-5/8" X 59" AXLE WITH NUTS 2-3/4"		002 000
02A	0501019012	1-5/8" X 59" AXLE		002 000
02B	0502040640	1.5/8" 2.3/4" NUT		002 000
03	0501046854	1-5/8" X 48" AXLE WITH NUTS 2-3/4"		002 000
03A	0501019016	1-5/8" X 48" AXLE		002 000
03B	0502040640	1.5/8" 2.3/4" NUT		002 000
04	0502010703	10.35" 1-5/8" SPACER		010 012
05	0511014339	1-5/8" 2.8" NUT LOCK		002 002
06	0502011048	1-5/8" EXTERNAL AXLE WASHER		001 001
07	0501012140	FLAT WASHER		002 002
08	0503012412	5/8 UNC SELF LOCKING NUT		002 002
09	0503010232	5/8" X 1.3/4" BOLT		002 002
10	0602040155	30 X 7,5 NOTCHED DISC BLADE		020 022
11	0602037006	DR28X7,5 C102AF04FR1.11/16 10R TATU		001 001
11.	0601039053	28"X 0.3" PLAIN DISC BLADE		001 001
12	0602033067	26" X 7.5 NOTCHED DISC BLADE		001 001
12.	0601033005	26" X 0.2" PLAIN DISC BLADE		001 001
13	0602030236	24" X 7,5 NOTCHED DISC BLADE		001 001
13.	0601030005	24" X 0.2" PLAIN DISC BLADE		001 001
14	0501048457	262MM X 1.5/8" RD OIL BATH BEARING		008 008
15	0511067146	10.35" AXLE 1-5/8" SPACER		001 001
16	0502012377	1-5/8" EXTERNAL AXLE LOK		001 001
17	0502011047	1-5/8" INNER AXLE WASHER		001 001
18	0602029360	DR22X6 C69AF02FR1.11/16 03REC TATU		001 001
19	0602030445	24 X 6 NOTCHED DISC BLADE		001 001
20	0501041925	3/4" X 3-1/2" BOLT ASSY		016 016
20A	0501010950	3/4" X 3-1/2" BOLT		016 016
20B	0501010949	3/4" SQUARE WASHER		016 016

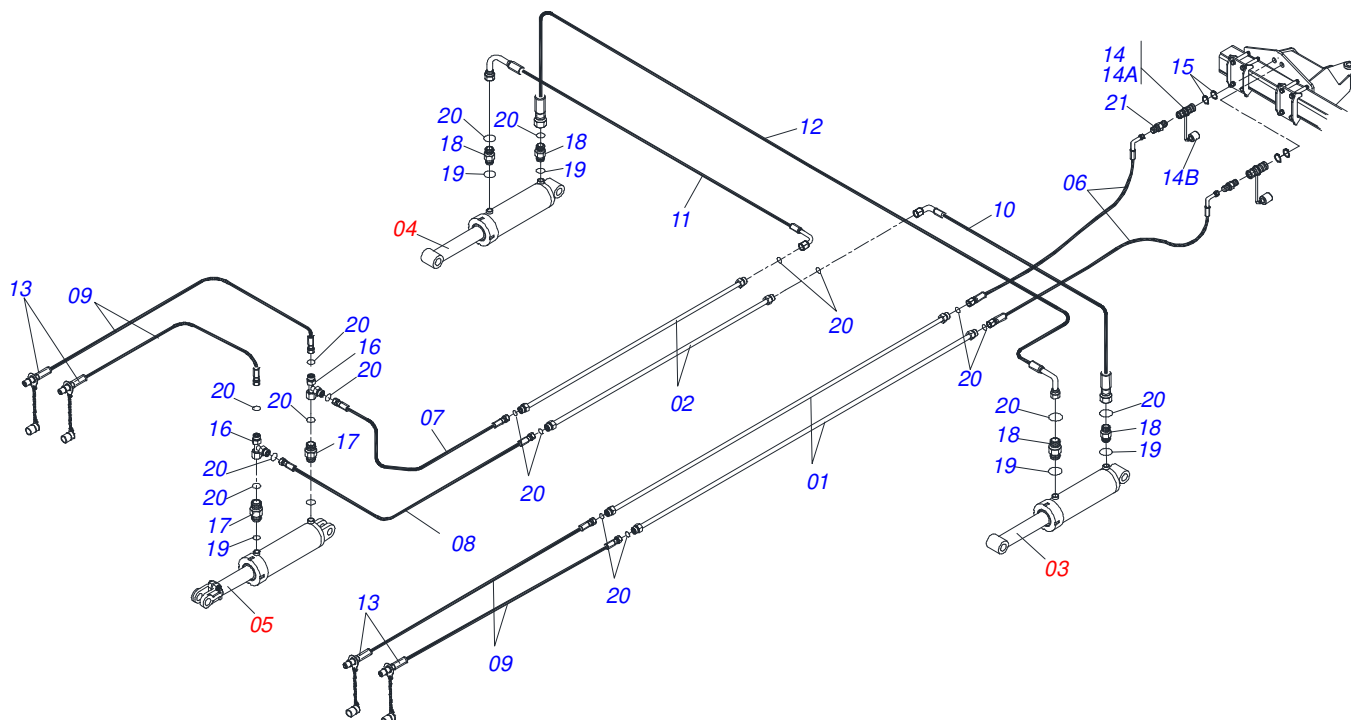


GCRO 7010 AXLE 1.5/8" RIGID HYDRAULIC/ARTICULATED
REAR GANG DISC - 44/48D

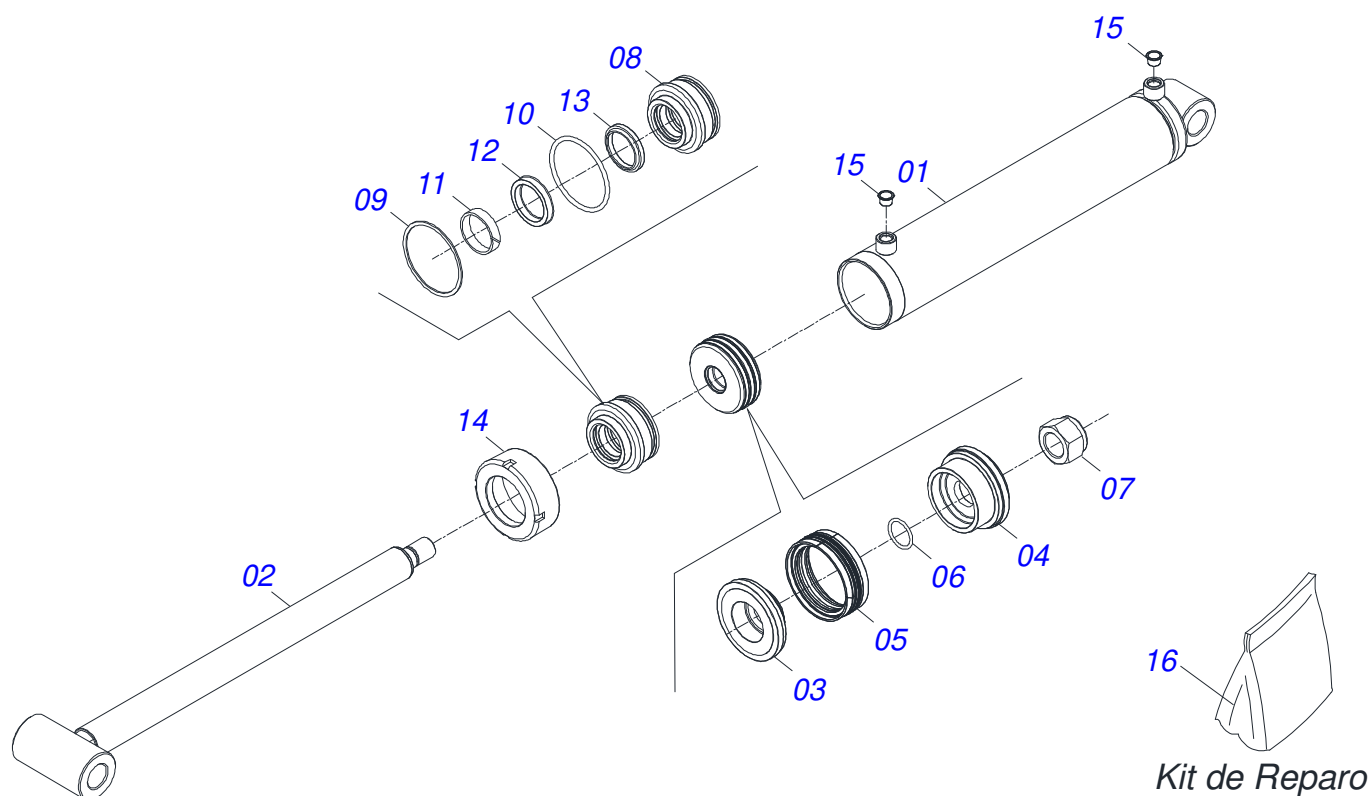
Page 8

0909095260

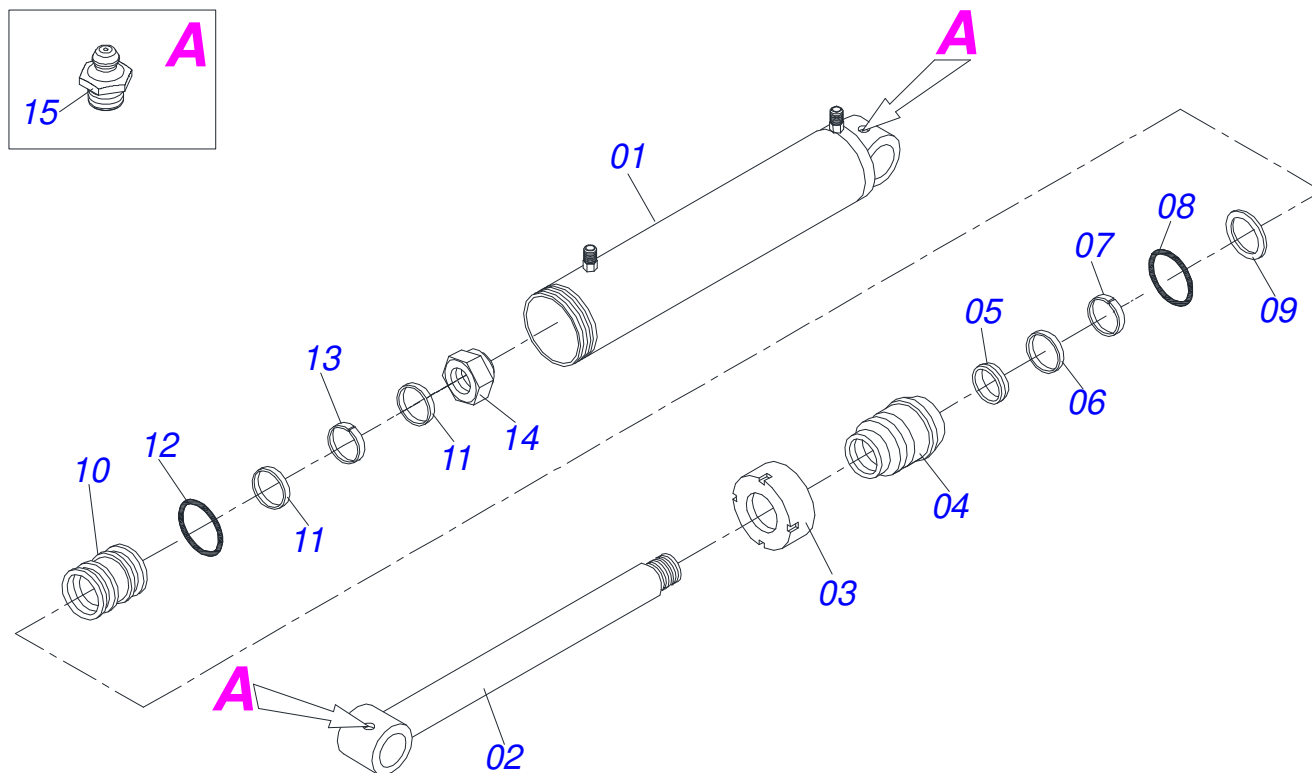
Item	Code	Description	See page	044 048
20C	0501010322	FLAT WASHER		016 016
20D	0503010014	3/4" NUT		016 016
21	0502040640	1.5/8" 2.3/4" NUT		001 001



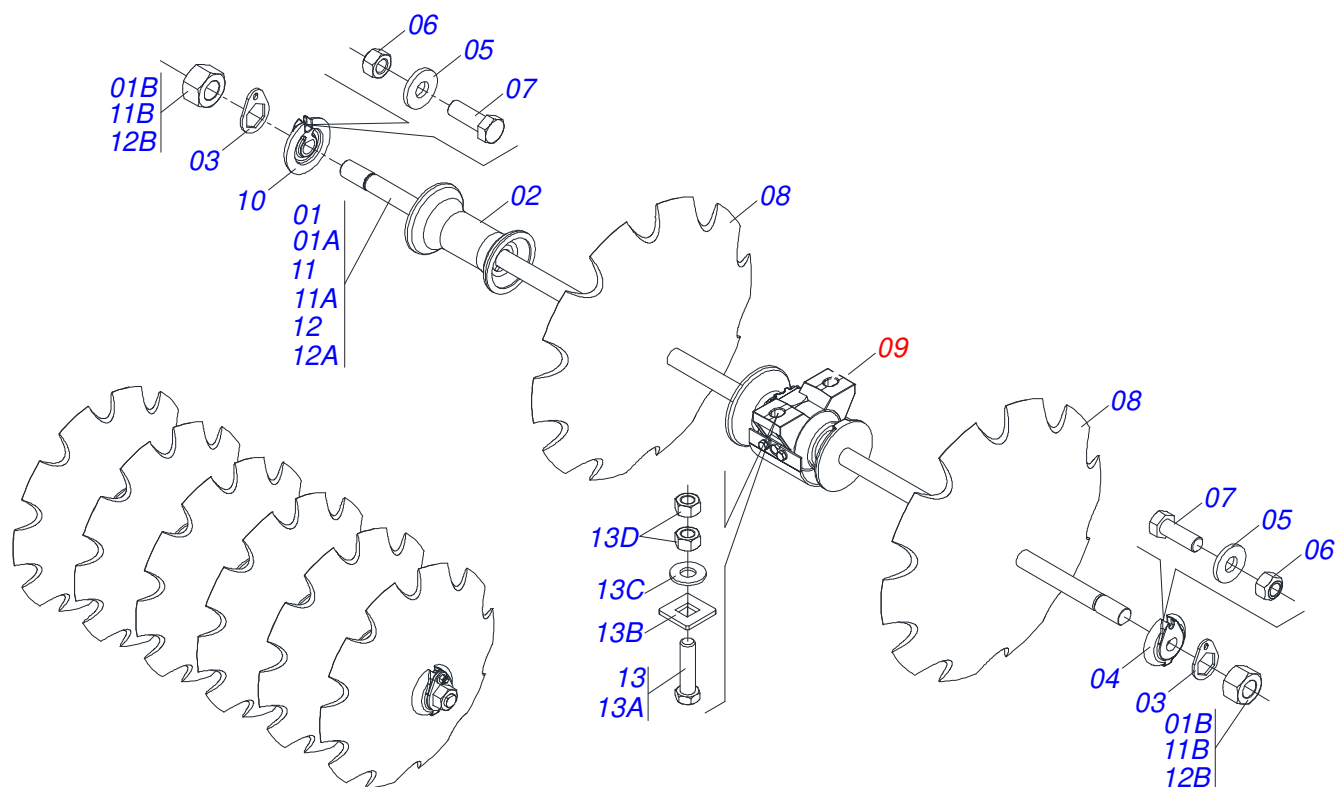
Item	Code	Description	See page	QT
01	0511066720	19 X 13,50 TUBE		02
02	0511066719	19 X 13,50 TUBE		02
03	0511045966	BAY PASS HYDRAULIC CYLINDER		01
04	0511045965	HYDRAULIC CYLINDER		01
05	0501049064	50,8 X 101,6 X 515 X 203 HYDRAULIC CYLINDER	19	01
06	0501081088	1/2 X 650 TR-TM HOSE ASSY		02
07	0501081056	1/2" X 750 TR-TR HOSE ASSY		01
08	0501081055	1/2 X 1000 TR-TR HOSE ASSY		01
09	0501080917	1/2" X 5500 TR-TM HOSE ASSY		04
10	0501081054	TR-TC HOSE ASSY		01
11	0501080950	1/2 X 1550 TC-TC HOSE ASSY		01
12	0501081135	1/2" X 2850 TR-TC HOSE ASSY		01
13	0501053834	MALE QUICK COUPLER		04
14	0501053835	FEMALE QUICK COUPLER		02
15	0503010217	501040 CLAMPING RING (FOR AXLE)		04
16	0503013637	T 1/2" MALE ADAPTER		04
17	0503032031	3/4" UNF REDUCTION NIPPLE		02
18	0503030923	3/4" UNF X 13/16UN OFS X 40 NIPPLE		04
19	0503010190	2-114 N 3006-9B O'RING		06
20	0503011030	2-014 N 3006-9B O'RING		34
21	0571015342	3/4" NIPPLE		02



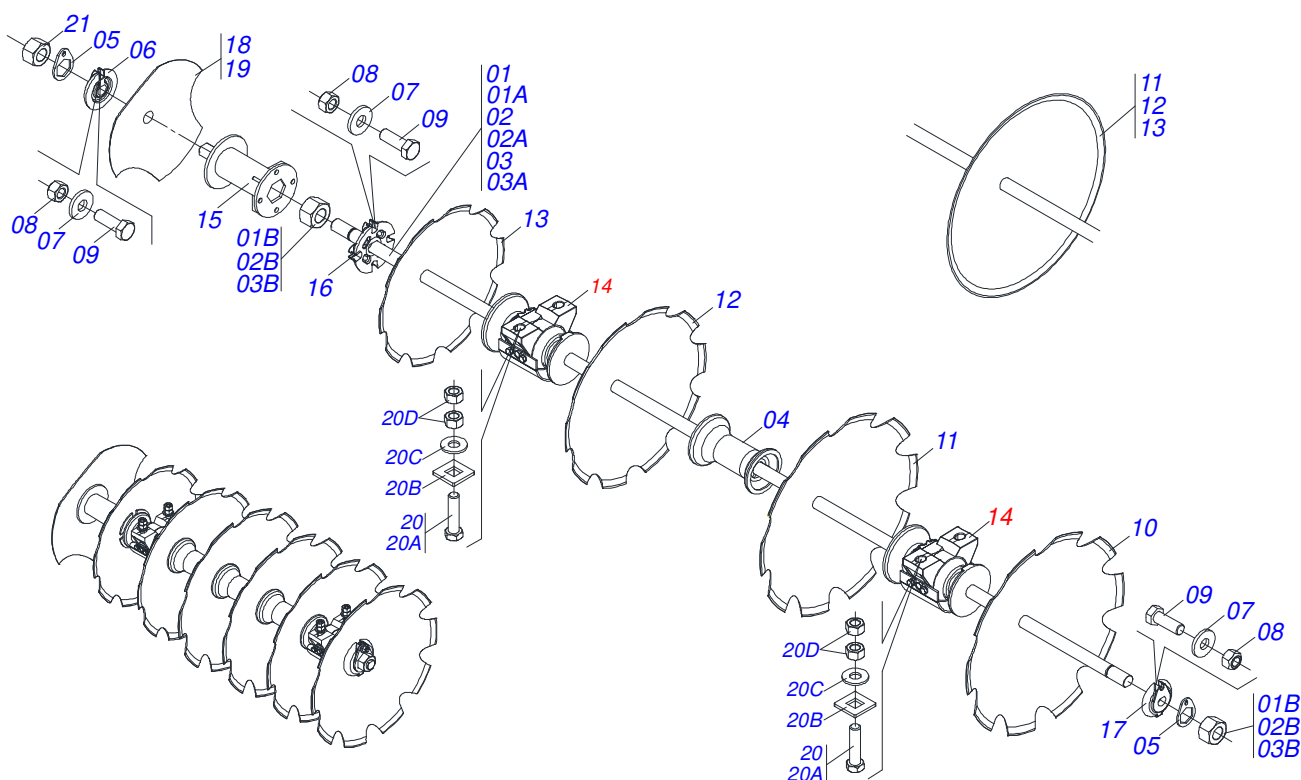
Item	Code	Description	See page	QT
01	0521061438	101,6 X 850,5 X 38,4 CYLINDER CASE		01
02	0521061439	50,80 X 751,50 X 38,40 TURNBUCKLE		01
03	0561016389	PISTON BODY		01
04	0561016387	PISTON BODY		01
05	0503015633	SELEMASTER SEALING		01
06	0503010345	2-218 N 3006-9B O'RING		01
07	0503010817	1.1/4" SELF LOCKING NUT		01
08	0502012642	SUPPORT OF THE RINGS		01
09	0503011061	8-342 BACK-UP RING		01
10	0503010338	2-342 N 3006-9B O'RING		01
11	0503015634	RING SLYDRING		01
12	0503015635	U-CUP SEAL		01
13	0503015636	SCRAPER SEAL		01
14	0502010017	4" HEAD		01
15	0503030384	CON PLUG N-001		02
16	0521041338	HYDRAULIC CYLINDER REPAIR KIT		01



Item	Code	Description	See page
00	0511043621	50,8 X 101,6 HYDRAULIC CYLINDER	11 01
01	0511066371	101,6 X 588 CYLINDER CASE	01
02	0511066370	50,80 X 713 TURNBUCKLE	01
03	0502010017	4" HEAD	01
04	0502010778	2" X 4.2" RING SUPPORT	01
05	0503010039	D-2000 SCRAPER RING	01
06	0503010991	1870-2000-375-B GASKET	01
07	0503010952	W2-2250-500 RING	01
08	0503010338	2-342 N 3006-9B O'RING	01
09	0503011061	8-342 BACK-UP RING	01
10	0502010992	2.0" X 4.0" PISTON	01
11	0503010043	PACKING 3750-3250	02
12	0503010345	2-218 N 3006-9B O'RING	01
13	0503010994	W2-4000-500 PK RING G.E	01
14	0503010044	1-1/4" SELF LOCKING NUT	01
15	0503010002	1800 GREASE FITTING	02



Item	Code	Description	See page	52	56	60
01	0501046856	1-5/8" X 59" AXLE WITH NUTS 2-3/4"		002	000	000
01A	0501019012	1-5/8" X 59" AXLE		002	000	000
01B	0502040640	1.5/8" 2.3/4" NUT		004	000	000
02	0502010703	10.35" 1-5/8" SPACER		006	008	010
03	0511014339	1-5/8" 2.8" NUT LOCK		004	004	004
04	0502011048	1-5/8" EXTERNAL AXLE WASHER		004	004	004
05	0501012140	FLAT WASHER		004	004	004
06	0503010013	5/8" NUT		012	014	016
07	0503011267	BOLT 5/8 UNC X 1.1/2 C S G.5 ZN		012	014	016
08	0602037006	DR28X7,5 C102AF04FR1.11/16 10R TATU		004	004	004
09	0501048457	262MM X 1.5/8" RD OIL BATH BEARING		008	008	008
10	0502011047	1-5/8" INNER AXLE WASHER		004	004	004
11	0501046859	1-5/8" X 70" AXLE WITH NUTS 2-3/4"		002	004	002
11A	0501015631	1-5/8" X 70" AXLE		002	004	002
12	0501046861	1-5/8" X 80" AXLE WITH NUTS 2-3/4"		000	002	000
12A	0501019015	1-5/8 X 80" AXLE		000	002	000
13	0501041925	3/4" X 3-1/2" BOLT ASSY		016	016	016
13A	0501010950	3/4" X 3-1/2" BOLT		016	016	016
13B	0501010949	3/4" SQUARE WASHER		016	016	016
13C	0501010322	FLAT WASHER		016	016	016
13D	0503010014	3/4" NUT		032	032	032

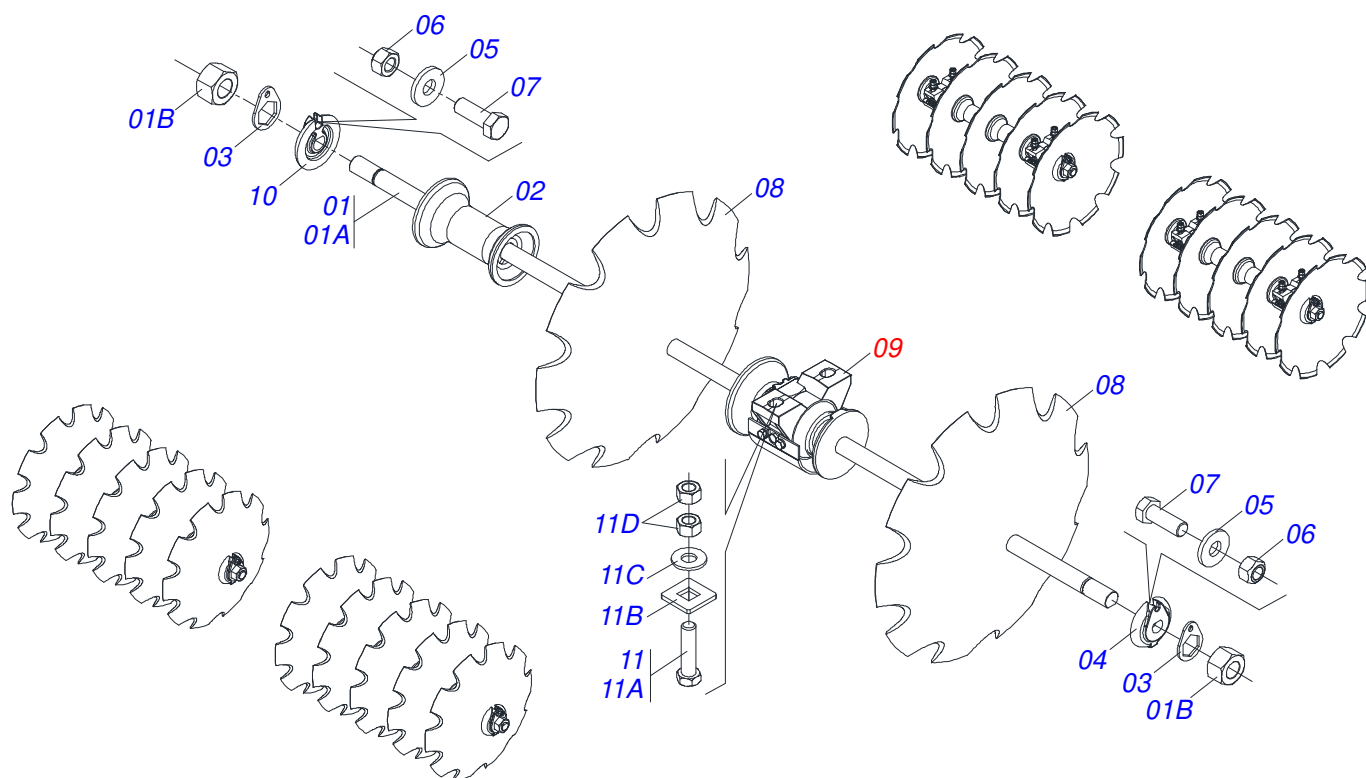


Item	Code	Description	See page	52	56	60
01	0501046856	1-5/8" X 59" AXLE WITH NUTS 2-3/4"		001	000	000
01A	0501019012	1-5/8" X 59" AXLE		001	000	000
01B	0502040640	1.5/8" 2.3/4" NUT		002	000	000
02	0501046859	1-5/8" X 70" AXLE WITH NUTS 2-3/4"		000	001	000
02A	0501015631	1-5/8" X 70" AXLE		000	001	000
02B	0502040640	1.5/8" 2.3/4" NUT		000	002	000
03	0501046861	1-5/8" X 80" AXLE WITH NUTS 2-3/4"		000	000	001
03A	0501019015	1-5/8 X 80" AXLE		000	000	001
03B	0502040640	1.5/8" 2.3/4" NUT		000	000	002
04	0502010703	10.35" 1-5/8" SPACER		003	004	005
05	0511014339	1-5/8" 2.8" NUT LOCK		002	002	002
06	0502011048	1-5/8" EXTERNAL AXLE WASHER		001	001	001
07	0501012140	FLAT WASHER		002	002	002
08	0503012412	5/8 UNC SELF LOCKING NUT		002	002	002
09	0503010232	5/8" X 1.3/4" BOLT		002	002	002
10	0602040155	30 X 7,5 NOTCHED DISC BLADE		006	007	008
11	0602037006	DR28X7,5 C102AF04FR1.11/16 10R TATU		006	007	008
11.	0601039053	28"X 0.3" PLAIN DISC BLADE		006	007	008
12	0602033067	26" X 7.5 NOTCHED DISC BLADE		001	001	001
12.	0601033005	26" X 0.2" PLAIN DISC BLADE		001	001	001
13	0602030236	24" X 7,5 NOTCHED DISC BLADE		001	001	001
13.	0601030005	24" X 0.2" PLAIN DISC BLADE		001	001	001
14	0501048457	262MM X 1.5/8" RD OIL BATH BEARING		002	002	002
15	0511067146	10.35" AXLE 1-5/8" SPACER		001	001	001
16	0502012377	1-5/8" EXTERNAL AXLE LOK		001	001	001
17	0502011047	1-5/8" INNER AXLE WASHER		001	001	001
18	0602029360	DR22X6 C69AF02FR1.11/16 03REC TATU		001	001	001
19	0602030445	24 X 6 NOTCHED DISC BLADE		001	001	001
20.	0501041925	3/4" X 3-1/2" BOLT ASSY		004	004	004
20A.	0501010950	3/4" X 3-1/2" BOLT		004	004	004
20B.	0501010949	3/4" SQUARE WASHER		004	004	004

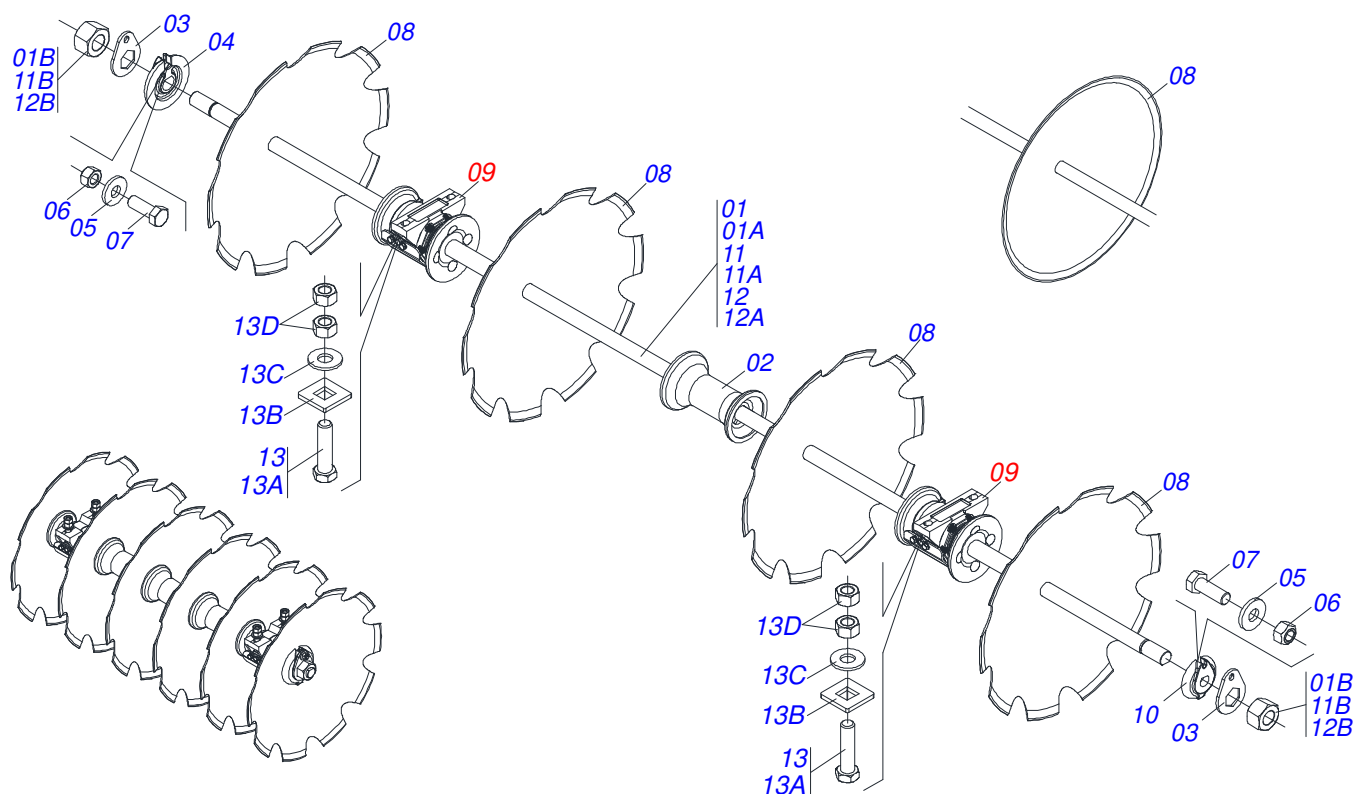


GCRO 7010 AXLE 1.5/8" RIGID HYDRAULIC/ARTICULATED
RIGHT SIDE REAR DISC SECTION - 52/56/60D

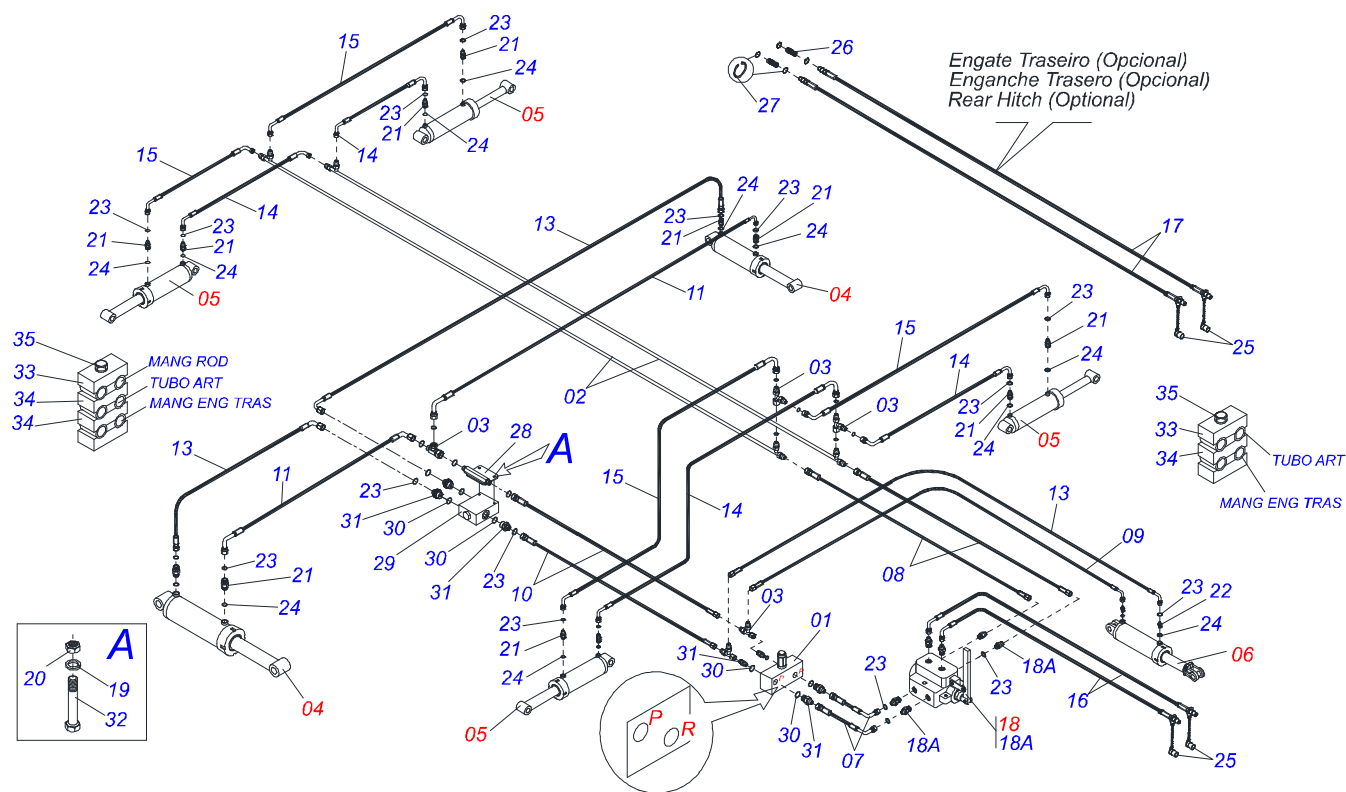
Item	Code	Description	See page	52	56	60
20C.	0501010322	FLAT WASHER		016	016	016
20D	0503010014	3/4" NUT		008	008	008
21	0502040640	1.5/8" 2.3/4" NUT		001	001	001



Item	Code	Description	See page	052	056	060
01	0501046859	1-5/8" X 70" AXLE WITH NUTS 2-3/4"		004	004	004
01A	0501015631	1-5/8" X 70" AXLE		004	004	004
01B	0502840640	1.5/8" 2.3/4" NUT		008	008	004
02	0502010703	10.35" 1-5/8" SPACER		016	016	016
03	0511014339	1-5/8" 2.8" NUT LOCK		008	008	008
04	0502011048	1-5/8" EXTERNAL AXLE WASHER		004	004	004
05	0501012140	FLAT WASHER		008	008	008
06	0503012412	5/8 UNC SELF LOCKING NUT		008	008	008
07	0503010232	5/8" X 1.3/4" BOLT		008	008	008
08	0602042005	DR30X7,5 C105AF02FR1.13/16 D079 10REC		028	028	028
08.	0602037006	DR28X7,5 C102AF04FR1.11/16 10R TATU		028	028	028
09	0511048366	OSCILLATING BEARING ASSY		008	008	008
10	0502012221	1-1/2" INNER AXLE WASHER		004	004	004
11	0501041925	3/4" X 3-1/2" BOLT ASSY		016	016	016
11A	0501010950	3/4" X 3-1/2" BOLT		016	016	016
11B	0501010949	3/4" SQUARE WASHER		016	016	016
11C	0501010322	FLAT WASHER		032	032	032
11D	0503010014	3/4" NUT		032	032	032



Item	Code	Description	See page	052	056	060
01	0501046856	1-5/8" X 59" AXLE WITH NUTS 2-3/4		001	000	000
01A	0501019012	1-5/8" X 59" AXLE		001	000	000
01B	0502840640	1.5/8" 2.3/4" NUT		002	000	000
02	0502010703	10.35" 1-5/8" SPACER		003	004	005
03	0511014339	1-5/8" 2.8" NUT LOCK		002	002	002
04	0502011048	1-5/8" EXTERNAL AXLE WASHER		001	001	001
05	0501012140	FLAT WASHER		002	002	002
06	0503012412	5/8 UNC SELF LOCKING NUT		002	002	002
07	0503010232	5/8" X 1.3/4" BOLT		002	002	002
08	0602040155	30 X 7,5 NOTCHED DISC BLADE		006	007	008
08.	0602037006	DR28X7,5 C102AF04FR1.11/16 10R TATU		006	007	008
08..	0601039053	28"X 0.3" PLAIN DISC BLADE		006	007	008
09	0511048366	OSCILLATING BEARING ASSY		002	002	002
10	0502011047	1-5/8" INNER AXLE WASHER		001	001	001
11	0501046859	1-5/8" X 70" AXLE WITH NUTS 2-3/4"		000	001	000
11A	0501015631	1-5/8" X 70" AXLE		000	001	000
11B	0502040640	1.5/8" 2.3/4" NUT		000	002	000
12	0501046861	1-5/8" X 80" AXLE WITH NUTS 2-3/4"		000	000	001
12A	0501019015	1-5/8 X 80" AXLE		000	000	001
12B	0502040640	1.5/8" 2.3/4" NUT		000	000	002
13	0501041925	3/4" X 3-1/2" BOLT ASSY		004	004	004
13A	0501010950	3/4" X 3-1/2" BOLT		004	004	004
13B	0501010949	3/4" SQUARE WASHER		004	004	004
13C	0501010322	FLAT WASHER		008	008	008
13D	0503010014	3/4" NUT		032	032	032



Item	Code	Description	See page	QT
01	0501055696	DISCHARGE VALVE OFS ASSY		04
02	0521061048	3430 OIL TUBE		02
03	0503013637	T 1/2" MALE ADAPTER		08
04	0521051832	HYDRAULIC CYLINDER 53,98 X 114,30 X 654 X 346	4	02
05	0511048618	101,6 X 810 HYDRAULIC CYLINDER	10	04
06	0511048617	HYDRAULIC CYLINDER	18	01
07	0501080549	1/2" X 450 TR-TC OFS HOSE		02
08	0501080537	1/2" X 600 TR-TR OFS HOSE		04
09	0501080970	1/2" X 23.6" TR-TC OFS HOSE		02
10	0501081088	1/2 X 650 TR-TM HOSE ASSY		02
11	0501081116	1/2 X 1630 TC-TC HOSE ASSY		02
12	0501081135	1/2" X 2850 TR-TC HOSE ASSY		01
13	0501081115	1/2" X 1330 TC-TR HOSE ASSY		02
14	0501081533	1/2 X 2350 HOSE ASSY		04
15	0501081532	2950 TC-TC HOSE ASSY		04
16	0501081534	5300 TC-TM HOSE ASSY		02
17	0501081766	1/2 X 9600 TM-TM HOSE ASSY		02
18	0511043139	VALVE ASSY		01
18A	0503013319	VALVE ASSY		01
18B	0503032098	13/16" NIPPLE		06
19	0503010179	LOCK WASHER		02
20	0503010337	5/16" NUT		02
21	0503030923	3/4" UNF X 13/16UN OFS X 40 NIPPLE		12
22	0503032031	3/4" UNF REDUCTION NIPPLE		02
23	0503010190	2-114 N 3006-9B O'RING		14
24	0503011030	2-014 N 3006-9B O'RING		48
25	0501053834	MALE QUICK COUPLER		04
26	0501053835	FEMALE QUICK COUPLER		02
27	0503010217	501040 CLAMPING RING (FOR AXLE)		04
28	0521062967	OIL TUBE DISTRIBUTOR		01
29	0503016227	FLOW DIVIDING VALVE		01

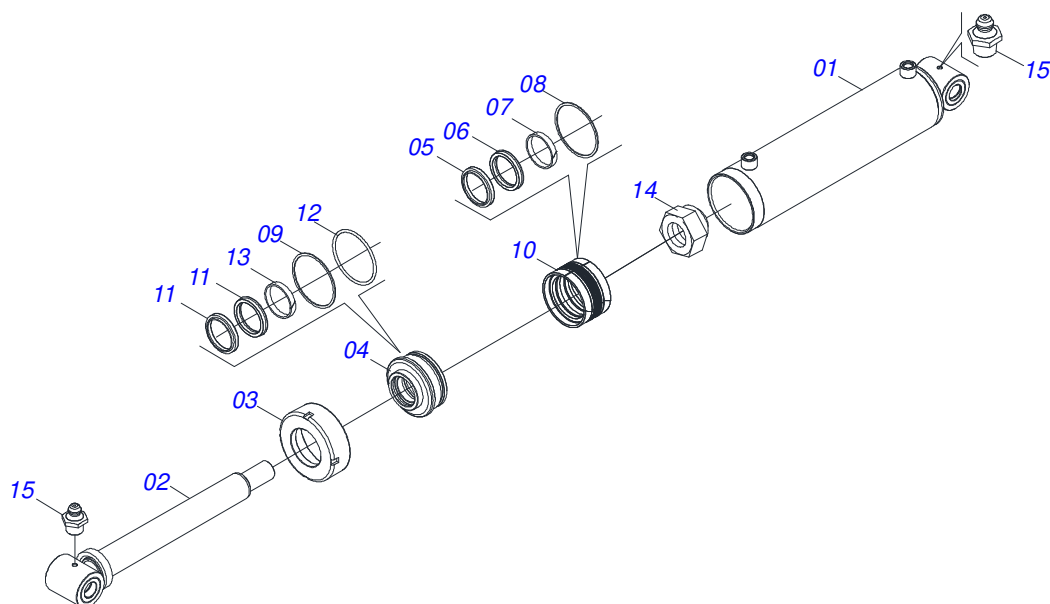


GCRO 7010 AXLE 1.5/8" RIGID HYDRAULIC/ARTICULATED
HYDRAULIC CIRCUIT - 52/56/60D

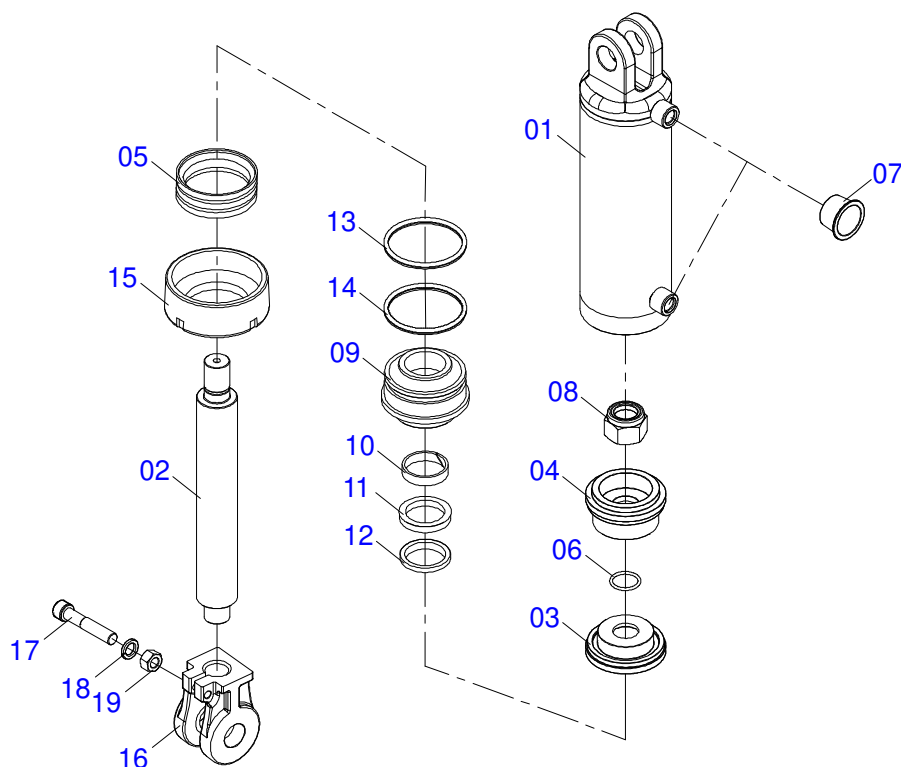
Page 16

0909091453

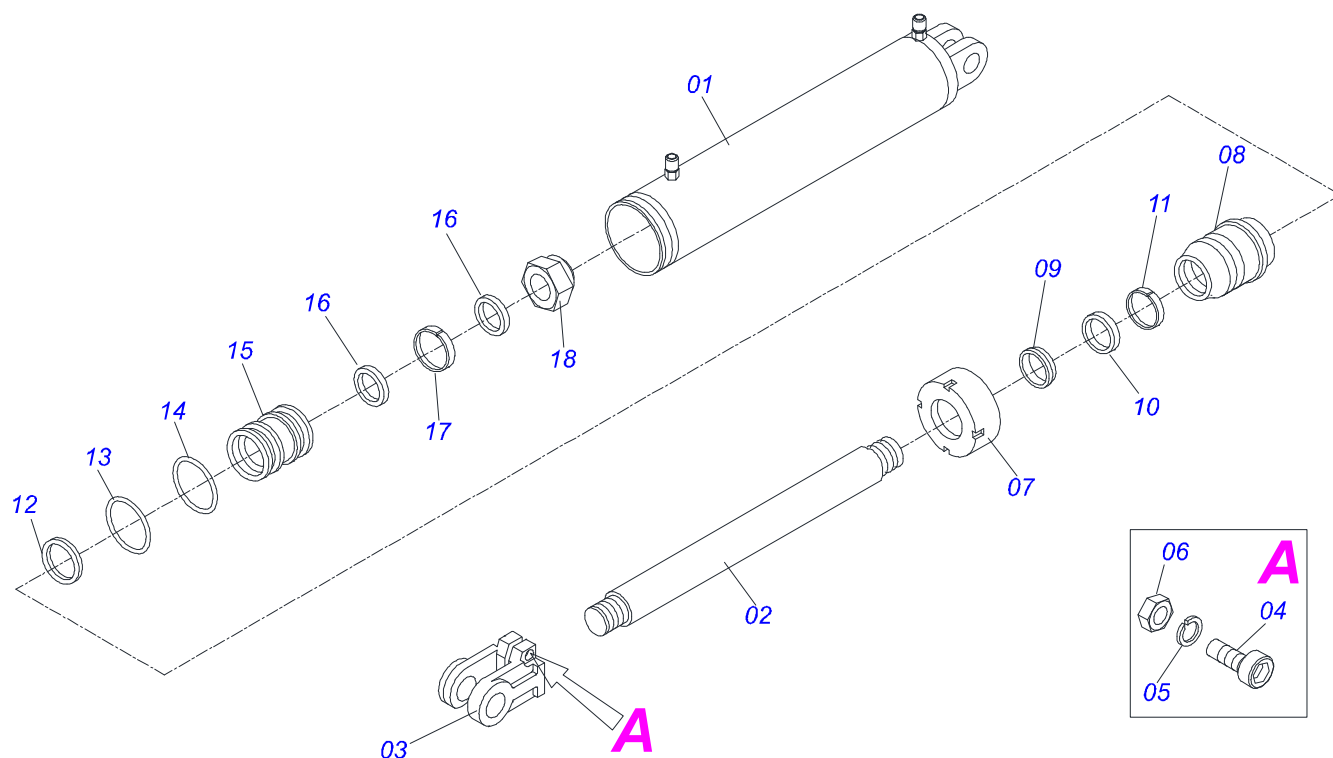
Item	Code	Description	See page	QT
30	0503011109	2-119 N 3006-9B O'RING		03
31	0571010736	NIPPLE R1.1/16 UN X 13/16UN OFS		03
32	0503011053	5/16" X 3" C S 6.5 ZN BOLT		02
33	0531011180	UPPER BODY CLIP		02
34	0502012702	BODY SUPPORT CLAMP		09
35	0503010723	7/16UNC X 4 C SG.5 ZN1K19920 BOLT		02



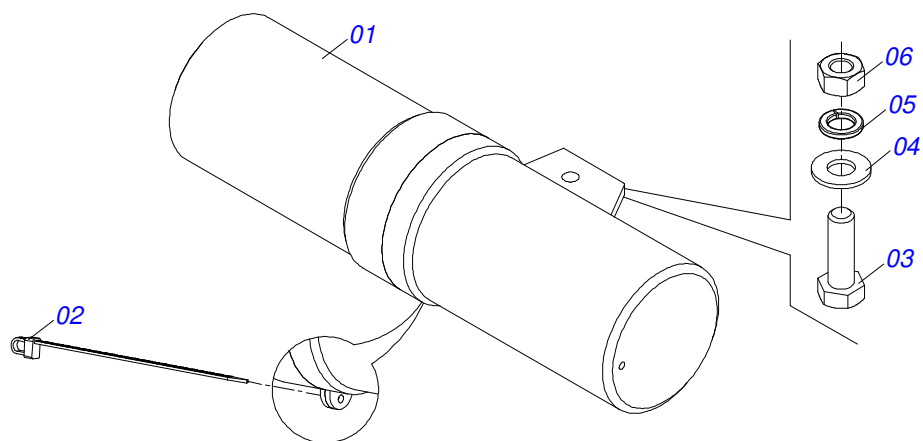
Item	Code	Description	See page	QT
00	0511041599	2 X 5 X 25,75 X 13,62 HYDRAULIC CYLINDER	17	01
01	0511064729	5" X 22" CYLINDER CASE		01
02	0511064728	2" X 23" TURNBUCLE		01
03	0502010382	5" END CAP		01
04	0502011000	2" X 5" RING SUPPORT		01
05	0503010039	D-2000 SCRAPER RING		01
06	0503010991	1870-2000-375-B GASKET		01
07	0503010952	W2-2250-500 RING		01
08	0503010351	2-425 N 3006-9B O-RING		01
09	0503011062	8-425 BACK-UP RING		01
10	0502010963	2.0" X 5.0" PISTON		01
11	0503010552	PACKING 3750-4250-625-B		02
12	0503010345	2-218 N 3006-9B O-RING		01
13	0503010974	W2-5000-500 RING		01
14	0503010817	1.1/4" SELF LOCKING NUT		01
15	0503010002	1800 GREASE FITTING		02
16	0501031961	HYDRAULIC CYLINDER REPAIR KIT		01



Item	Code	Description	See page	QT
01	0511061336	101,6 X 398 CYLINDER CASE		01
02	0521010422	HYDRAULIC CYLINDER TURNBUCKLE		01
03	0561016389	PISTON BODY		01
04	0561016387	PISTON BODY		01
05	0503015633	SELEMASTER SEALING		01
06	0503010345	2-218 N 3006-9B O'RING		01
07	0503030384	CON PLUG N-001		02
08	0503010817	1.1/4" SELF LOCKING NUT		01
09	0502012642	SUPPORT OF THE RINGS		01
10	0503015634	RING SLYDRING		01
11	0503015635	U-CUP SEAL		01
12	0503015636	SCRAPER SEAL		01
13	0503010338	2-342 N 3006-9B O'RING		01
14	0503011061	8-342 BACK-UP RING		01
15	0502010017	4" HEAD		01
16	0502040747	32.54 CLEVIS CLAMP		01
17	0503011094	3/8" X 2" BOLT		01
18	0503011443	3/8" SPRING WASHER		01
19	0503010026	3/8" NUT		01
20	0501039361	HYDRAULIC CYLINDER REPAIR KIT		01



Item	Code	Description	See page	QT
01	0511061336	101,6 X 398 CYLINDER CASE		01
02	0521010422	HYDRAULIC CYLINDER TURNBUCKLE		01
03	0502040747	32.54 CLEVIS CLAMP		01
04	0503011094	3/8" X 2" BOLT		01
05	0503010025	3/8" SPRING WASHER		01
06	0503010026	3/8" NUT		01
07	0502010017	4" HEAD		01
08	0502010778	2" X 4.2" RING SUPPORT		01
09	0503010039	D-2000 SCRAPER RING		01
10	0503010991	1870-2000-375-B GASKET		01
11	0503010952	W2-2250-500 RING		01
12	0503011061	8-342 BACK-UP RING		01
13	0503010338	2-342 N 3006-9B O'RING		01
14	0503010345	2-218 N 3006-9B O'RING		01
15	0502010992	2.0" X 4.0" PISTON		01
16	0503010043	PACKING 3750-3250		02
17	0503010994	W2-4000-500 PK RING G.E		01
18	0503010817	1.1/4" SELF LOCKING NUT		01
19	0501031799	HYDRAULIC CYLINDER REPAIR KIT		01



Item	Code	Description	See page	QT
01	0503060100	OPERATOR'S MANUAL STORAGE TUBE		01
02	0503010267	NYLON CLAMP		01
03	0503010363	5/16" X 1" BOLT		01
04	0501010694	FLAT WASHER		01
05	0503010179	LOCK WASHER		01
06	0503010337	5/16" NUT		01



MARCHESAN

Technical Publications | Elaboration and Revision

JOSÉ DOMINGOS GASPARI

www.marchesan.com.br

